



WAYSIDE SCHEMATIC - GEORGE BUSH INTERCONTINENTAL AIRPORT/HOUSTON

TABLE OF CONTENTS

SHEET NO.	TITLE	SHEET NO.	TITLE
1	SIGN OFF SHEET	50	SOUTH GUIDEWAY TRANSMIT/RECEIVE (SWITCH 23)
2	TABLE OF CONTENTS	51	SOUTH GUIDEWAY TRANSMIT/RECEIVE (SWITCH 24)
3	TABLE OF CONTENTS	52	SOUTH GUIDEWAY TRANSMIT/RECEIVE
4	NOTES	53	SOUTH GUIDEWAY TRANSMIT/RECEIVE (TERMINAL C)
5	APM SYSTEM LAYOUT	54	SYSTEM A HEALTHY AND ACTIVE SELECTION
6	VEHICLE ANTENNA LOCATIONS / STATION ANTENNA LOCATIONS	55	CENTRAL GEALOC INDICATIONS AND SYSTEM A SELECTION
7	BLANK SHEET	56	SYSTEM B HEALTHY AND ACTIVE SELECTION
8	POWER DISTRIBUTION SYSTEM - VITAL EMERGENCY TRIP CONTROL	57	CENTRAL GEALOC INDICATIONS AND SYSTEM B SELECTION
9	BLANK SHEET	58	FLAT TIRE INDICATIONS
10	ETHERNET SINGLE LINE BLOCK DIAGRAM	59	BLANK SHEET
11	UPS DISTRIBUTION SYSTEM - SINGLE LINE	60	GEALOC TERMINAL B NORTH PRIME POWER
12	UPS DISTRIBUTION SYSTEM - SINGLE LINE	61	GEALOC TERMINAL B SOUTH PRIME POWER
13	UPS DISTRIBUTION SYSTEM - SINGLE LINE	62	TERMINAL B LOBBY RESET SWITCHES
14	UPS DISTRIBUTION SYSTEM - SINGLE LINE	63	TERMINAL C LOBBY RESET SWITCHES
15	TERMINAL B LOBBY CALL BUTTONS AND PASSENGER SENSING	64	GEALOC / ATO / SESCO DIS CABINET INTERFACE TERM. B
16	TERMINAL B INTRUSION ALARM INPUTS	65	GEALOC POWER DISTRIBUTION SLCC - SW 21, 22, 23 AND 24
17	TERMINAL B NORTH EMERGENCY DOORS CLOSED AND LOCKED GUIDEWAY ACCESS GATES	66	TERMINAL B NORTH STATION ATO TO GEALOC INDICATIONS
18	TERMINAL B NORTH STATION DOOR, GRAPHICS AND INFORMATION ANTENNA INTERFACE	67	TERMINAL B SOUTH STATION ATO TO GEALOC INDICATIONS
19	TERMINAL B NORTH PROGRAM STOP AND MARKER TAPE ANTENNA INTERFACE	68	TERMINAL C NORTH STATION ATO TO GEALOC INDICATIONS
20	TERMINAL B SOUTH EMERGENCY DOORS CLOSED AND LOCKED GUIDEWAY ACCESS GATES	69	TERMINAL C SOUTH STATION ATO TO GEALOC INDICATIONS
21	TERMINAL B SOUTH STATION DOOR, GRAPHICS AND INFORMATION ANTENNA INTERFACE	70	CENTRAL COMPUTER/ATO CABINET INTERFACE TERM. C
22	TERMINAL B SOUTH PROGRAM STOP AND MARKER TAPE ANTENNA INTERFACE	71	GEALOC CENTRAL MANUAL CONTROL PANEL SYSTEM WIDE STOP
23	TERMINAL B STATION DOOR CONTROLLER IDENTIFICATION ASSIGNMENTS	72	TERMINAL B GEALOC VITAL MANUAL MACHINE INTERFACE MAKE TRAIN ENABLE
24	TERMINAL B NORTH GUIDEWAY STATION DOOR INTERFACE BERTH 1 DOORSET 1-2	73	GEALOC CENTRAL VITAL MANUAL MACHINE INTERFACE VTE RESET
25	TERMINAL B NORTH GUIDEWAY STATION DOOR INTERFACE BERTH 2 DOORSET 2-2	74	GEALOC CENTRAL VITAL MANUAL MACHINE INTERFACE VTE TRACKING ERROR AND COMMAND INDICATIONS
26	TERMINAL B SOUTH GUIDEWAY STATION DOOR INTERFACE BERTH 1 DOORSET 1-3	75	GEALOC TX / RX MASTER SHUTDOWN
27	TERMINAL B SOUTH GUIDEWAY STATION DOOR INTERFACE BERTH 2 DOORSET 2-3	76	GEALOC MUX A TX / RX NORTH GUIDEWAY TIMING / DD / DB
28	TERMINAL C LOBBY CALL BUTTONS AND PASSENGER SENSING	77	GEALOC MUX B TX / RX SOUTH GUIDEWAY TIMING / DD / DB
29	TERMINAL C INTRUSION ALARM INPUTS	78	SIMS MAINTENANCE MANAGEMENT INFORMATION SYSTEM BLOCK DIAGRAM -SIMS-
30	TERMINAL C NORTH EMERGENCY DOORS CLOSED AND LOCKED GUIDEWAY ACCESS GATES	79	TERMINAL B COMMUNICATIONS BLOCK DIAGRAM
31	TERMINAL C NORTH STATION DOOR, GRAPHICS AND INFORMATION ANTENNA INTERFACE	80	TERMINAL C COMMUNICATIONS BLOCK DIAGRAM
32	TERMINAL C NORTH PROGRAM STOP AND MARKER TAPE ANTENNA INTERFACE	81	TYPICAL SWITCH LOGIC CONTROL CABINET INPUTS / OUTPUTS
33	TERMINAL C SOUTH EMERGENCY DOORS CLOSED AND LOCKED GUIDEWAY ACCESS GATES	82	SWITCH GEALOC OUTPUTS - SW21, 22, 23, 24
34	TERMINAL C SOUTH STATION DOOR, GRAPHICS AND INFORMATION ANTENNA INTERFACE	83	SWITCH GEALOC OUTPUTS - SW41 & 42 - SEE 6D61054 SHEET 74
35	TERMINAL C SOUTH PROGRAM STOP AND MARKER TAPE ANTENNA INTERFACE	84	SWITCH 21 GEALOC INPUTS
36	TERMINAL C STATION DOOR CONTROLLER IDENTIFICATION ASSIGNMENTS	85	SWITCH 22 GEALOC INPUTS
37	TERMINAL C NORTH GUIDEWAY STATION DOOR INTERFACE BERTH 1 DOORSET 1-2	86	SWITCH 23 GEALOC INPUTS
38	TERMINAL C NORTH GUIDEWAY STATION DOOR INTERFACE BERTH 2 DOORSET 2-2	87	SWITCH 24 GEALOC INPUTS
39	TERMINAL C SOUTH GUIDEWAY STATION DOOR INTERFACE BERTH 1 DOORSET 1-3	88	SWITCH 41 GEALOC INPUTS - SEE 6D61054 SHEET 82
40	TERMINAL C SOUTH GUIDEWAY STATION DOOR INTERFACE BERTH 2 DOORSET 2-3	89	SWITCH 42 GEALOC INPUTS - SEE 6D61054 SHEET 83
41	NORTH GUIDEWAY BRUSH DETECTOR	90	TRAFFIC SIGNALS SWITCH 21 & GATE A
42	NORTH GUIDEWAY TRANSMIT / RECEIVE (TERMINAL B)	91	TRAFFIC SIGNALS SWITCH 22 & GATE B
43	NORTH GUIDEWAY TRANSMIT / RECEIVE (SWITCH 22)	92	TRAFFIC SIGNALS SWITCH 23 & GATE C
44	NORTH GUIDEWAY TRANSMIT / RECEIVE (SWITCH 21)	93	TRAFFIC SIGNALS SWITCH 24 & GATE D
45	NORTH GUIDEWAY TRANSMIT / RECEIVE	94	TRAFFIC SIGNALS SWITCH 41 & GATE A - SEE 6D61054 SHEET 95
46	NORTH GUIDEWAY TRANSMIT / RECEIVE (TERMINAL C)	95	TRAFFIC SIGNALS SWITCH 42 & GATE B - SEE 6D61054 SHEET 94
47	SWITCH WALKWAY SIDE GRAPHICS ANTENNA	96	SLCC TO SW. PIN LOCK CONTROLLER - SW21-24
48	SOUTH GUIDEWAY BRUSH DETECTOR	97	SLCC TO SW. HYDRAULIC UNIT - SW21-24
49	SOUTH GUIDEWAY TRANSMIT/RECEIVE (TERMINAL B)	98	SLCC TO SW. HYDRAULIC UNIT POWER - SW21-24

PROPRIETARY INFORMATION - SEE SHEET 1

AutoCAD

GEOMETRIC CHARACTERISTIC SYMBOLS	
FLATNESS	▭
STRAIGHTNESS	—
ROUNDNESS (CIRCULARITY)	○
CYLINDRICITY	⊘
PROFILE OF ANY LINE	⊖
PROFILE OF ANY SURFACE	⊖
PARALLELISM	∥
PERPENDICULARITY (SQUARENESS)	⊥
ANGULARITY	∠
RUNOUT	↻
TRUE POSITION	⊕
CONCENTRICITY	⊙
SYMMETRY	⊞
MAXIMUM MATERIAL CONDITION (MMC)	Ⓜ
REGARDLESS OF FEATURE SIZE	Ⓛ

DFTM.	J.WERNER	DATE	8/21/97
CHKR.			
ENGRG.	K. RYAN		
MFG.			
APPD.			
DFTG. SUPV.	E.D. NIATY		

<b>BOMBARDIER</b>			
TITLE			
WAYSIDE SYSTEM SCHEMATIC			
GEORGE BUSH INTERCONTINENTAL AIRPORT-HOUSTON			
DIMENSIONS IN INCHES			
SIZE	D	DWG. NO.	5D81332
SCALE	NONE	WT.	
SHEET	2	REV.	9

WAYSIDE SCHEMATIC - GEORGE BUSH INTERCONTINENTAL AIRPORT/HOUSTON

TABLE OF CONTENTS

SHEET NO.	TITLE	SHEET NO.	TITLE
99	SWITCH FLUID LEVEL INDICATIONS SW21-24	148	PRESENCE DETECTOR - SW 23
100	SWITCH FLUID LEVEL INDICATIONS SW41-42 - SEE 6D61054 SHEET 110	149	BLANK SHEET
101	BLANK SHEET	150	CENTRAL INTERCONNECTING CABLES
102	TERMINAL B NORTH PASSENGER DOORS CLOSED & LOCKED	151	GEALOC POWER DISTRIBUTION SLCC 11-14 (FUTURE)
103	TERMINAL B NORTH ATO TO GEALOC INDICATIONS	152	BLANK SHEET
104	TERMINAL B SOUTH PASSENGER DOORS CLOSED & LOCKED	153	GEALOC TERMINAL C NORTH PRIME POWER
105	TERMINAL B SOUTH ATO TO GEALOC INDICATIONS	154	GEALOC TERMINAL C SOUTH PRIME POWER
106	TERMINAL C NORTH PASSENGER DOORS CLOSED & LOCKED	155	GEALOC TERMINAL A NORTH PRIME POWER (FUTURE)
107	TERMINAL C NORTH ATO TO GEALOC INDICATIONS	156	GEALOC TERMINAL A SOUTH PRIME POWER (FUTURE)
108	TERMINAL C SOUTH PASSENGER DOORS CLOSED & LOCKED	157	BLANK SHEET
109	TERMINAL C SOUTH ATO TO GEALOC INDICATIONS	158	BLANK SHEET
110	MANUAL RESET GEALOC POWER SUPPLY	159	GUIDE WAY LIGHTING CONTROL
111	GEALOC INTERCONNECTING CABLES	160	SIGNAGE - STATION PLATFORM
112	ATO INTERCONNECTING CABLES	161	UPS ALARMS
113	CENTRAL VITAL SWITCH PANEL PROHIBIT ZONES--NB, NX2	162	CENTRAL AUDIO ALARMS 1-2-3
114	CENTRAL VITAL SWITCH PANEL PROHIBIT ZONES--SB, SX2	163	MAINT. COMPUTER - LINE PRINTER
115	BLANK SHEET	164	TERMINAL B NORTH EMERGENCY DOOR CLOSED & LOCKED ALARM CIRCUIT
116	BLANK SHEET	165	TERMINAL B SOUTH EMERGENCY DOOR CLOSED & LOCKED ALARM CIRCUIT
117	BLANK SHEET	166	TERMINAL C NORTH EMERGENCY DOOR CLOSED & LOCKED ALARM CIRCUIT
118	BLANK SHEET	167	TERMINAL C SOUTH EMERGENCY DOOR CLOSED & LOCKED ALARM CIRCUIT
119	SWITCH GEALOC OUTPUTS - SW31, 32, 33, 34 - SEE 6D61054 SHEET 73		
120	SWITCH 31 GEALOC INPUTS - SEE 6D61054 SHEET 78		
121	SWITCH 32 GEALOC INPUTS - SEE 6D61054 SHEET 79		
122	SWITCH 33 GEALOC INPUTS - SEE 6D61054 SHEET 80		
123	SWITCH 34 GEALOC INPUTS - SEE 6D61054 SHEET 81		
124	TRAFFIC SIGNALS SWITCH 31 & GATE A - SEE 6D61054 SHEET 90		
125	TRAFFIC SIGNALS SWITCH 32 & GATE B - SEE 6D61054 SHEET 91		
126	TRAFFIC SIGNALS SWITCH 33 & GATE C - SEE 6D61054 SHEET 92		
127	TRAFFIC SIGNALS SWITCH 34 & GATE D - SEE 6D61054 SHEET 93		
128	SWITCH GEALOC OUTPUTS - SW11, 12, 13, 14 (FUTURE)		
129	SWITCH 11 GEALOC INPUTS (FUTURE)		
130	SWITCH 12 GEALOC INPUTS (FUTURE)		
131	SWITCH 13 GEALOC INPUTS (FUTURE)		
132	SWITCH 14 GEALOC INPUTS (FUTURE)		
133	TRAFFIC SIGNALS SW11 GATE A (FUTURE)		
134	TRAFFIC SIGNALS SW12 GATE B (FUTURE)		
135	TRAFFIC SIGNALS SW13 GATE C (FUTURE)		
136	TRAFFIC SIGNALS SW14 GATE D (FUTURE)		
137	GEALOC Tx/Rx NORTH GUIDE WAY TIMING/DD/DB		
138	GEALOC Tx/Rx NORTH GUIDE WAY TIMING/DD/DB		
139	TERMINAL D - NORTH STATION ATO TO GEALOC INDICATIONS--SEE 6D61054 SHEET 123		
140	TERMINAL D - SOUTH STATION ATO TO GEALOC INDICATIONS--SEE 6D61054 SHEET 124		
141	TERMINAL A - NORTH STATION ATO TO GEALOC INDICATIONS		
142	TERMINAL A - SOUTH STATION ATO TO GEALOC INDICATIONS		
143	TERMINAL D - NORTH STATION ATO TO GEALOC INDICATIONS--SEE 6D61054 SHEET 125		
144	TERMINAL D - SOUTH STATION ATO TO GEALOC INDICATIONS--SEE 6D61054 SHEET 126		
145	TERMINAL A - NORTH STATION ATO TO GEALOC INDICATIONS (FUTURE)		
146	TERMINAL A - SOUTH STATION ATO TO GEALOC INDICATIONS (FUTURE)		
147	CENTRAL VITAL SWITCH PANEL PROHIBIT ZONES - SEE 6D61054 SHEET 101		

PROPRIETARY INFORMATION - SEE SHEET 1

AutoCAD

GEOMETRIC CHARACTERISTIC SYMBOLS	
FLATNESS	⊥
STRAIGHTNESS	—
ROUNDNESS (CIRCULARITY)	○
CYLINDRICITY	⊘
PROFILE OF ANY LINE	⌒
PROFILE OF ANY SURFACE	⌒
PARALLELISM	∥
PERPENDICULARITY (SQUARENESS)	⊥
ANGULARITY	∠
RUNOUT	⊖
TRUE POSITION	⊕
CONCENTRICITY	⊙
SYMMETRY	⊞
MAXIMUM MATERIAL CONDITION (MMC)	Ⓜ
REGARDLESS OF FEATURE SIZE	Ⓜ

DFTM.	J. WEFNER	DATE	8/21/97
CHKR.			
ENGRG.	K. RYAN		
MFG.			
APPD.			
DFTG. SU-V.	E.D. WATTY		

<b>BOMBARDIER</b>			
TITLE WAYSIDE SYSTEM SCHEMATIC			
GEORGE BUSH INTERCONTINENTAL AIRPORT-HOUSTON			
DIMENSIONS IN INCHES			
SIZE	D	DWG. NO.	5D81332
SCALE	NONE	WT.	
		SHEET	3
		REV.	9

NOTES:

1. REFERENCE DRAWINGS:

SYSTEM MAP AND TRACK PLAN	5D81167
PDS SYSTEM SCHEMATIC	5D80913
ATO CABINET SCHEMATIC	5D81471
GEALOC CABINET SCHEMATIC	2684F76
STATION C COMMUNICATIONS	5D80996
CENTRAL SCHEMATIC PACKAGE	
GEALOC INTERCONNECTION CABLE ASSEMBLIES	5D81179
GEALOC VITAL MMI PANEL ASSEMBLY	1657E14
MANUAL CONTROL PANEL SCHEMATIC	5D81740
MMI PANEL A2 SCHEMATIC	5D81580
MMI PANEL A2 WIRE LIST	3A63556
ORS-RADIO SYSTEM	5D81268
FLAT TIRE DETECTOR ASSEMBLY	5D81759
CENTRAL SYSTEM DRAWING	6D55184
CENTRAL CABLE TRAY & CONDUIT	5D80990
GEALOC TERM CAB. INPUT JUMPER LIST	3A63644
GEALOC TERM CAB. OUTPUT JUMPER LIST	3A63645
UPS WIRING DIAGRAM & PANEL	5D80993

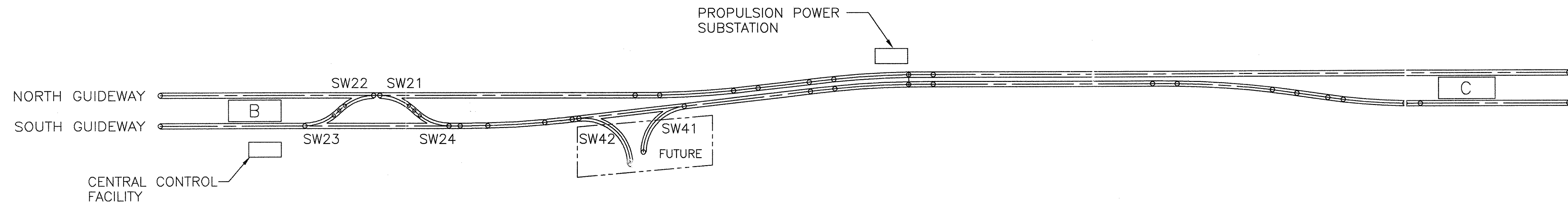
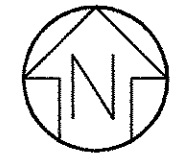
PROPRIETARY INFORMATION - SEE SHEET 1

AutoCAD

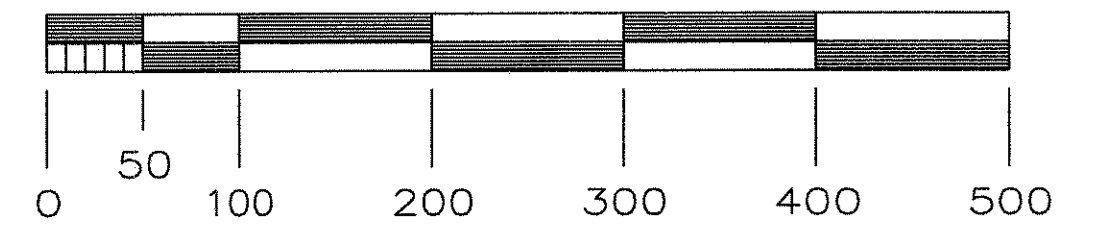
GEOMETRIC CHARACTERISTIC SYMBOLS	
FLATNESS	⏊
STRAIGHTNESS	—
ROUNDNESS (CIRCULARITY)	○
CYLINDRICITY	⊘
PROFILE OF ANY LINE	⌒
PROFILE OF ANY SURFACE	⌒
PARALLELISM	∥
PERPENDICULARITY (SQUARENESS)	⊥
ANGULARITY	∠
RUNOUT	⊖
TRUE POSITION	⊕
CONCENTRICITY	⊙
SYMMETRY	⊞
MAXIMUM MATERIAL CONDITION (MMC)	Ⓜ
REGARDLESS OF FEATURE SIZE	Ⓛ

DFTM.	DATE
J. WERNER	8/21/97
CHKR.	
ENGRG.	
K. RYAN	
MFG.	
APPD.	
E.D. MATTY	

<b>BOMBARDIER</b>	
TITLE	
WAYSIDE SYSTEM SCHEMATIC	
GEORGE BUSH INTERCONTINENTAL AIRPORT-HOUSTON	
DIMENSIONS IN INCHES	
SIZE	DW. NO.
D	5D81332
SCALE NONE	WT.
SHEET	4
REV.	9



PHASE 1 APM SYSTEM LAYOUT

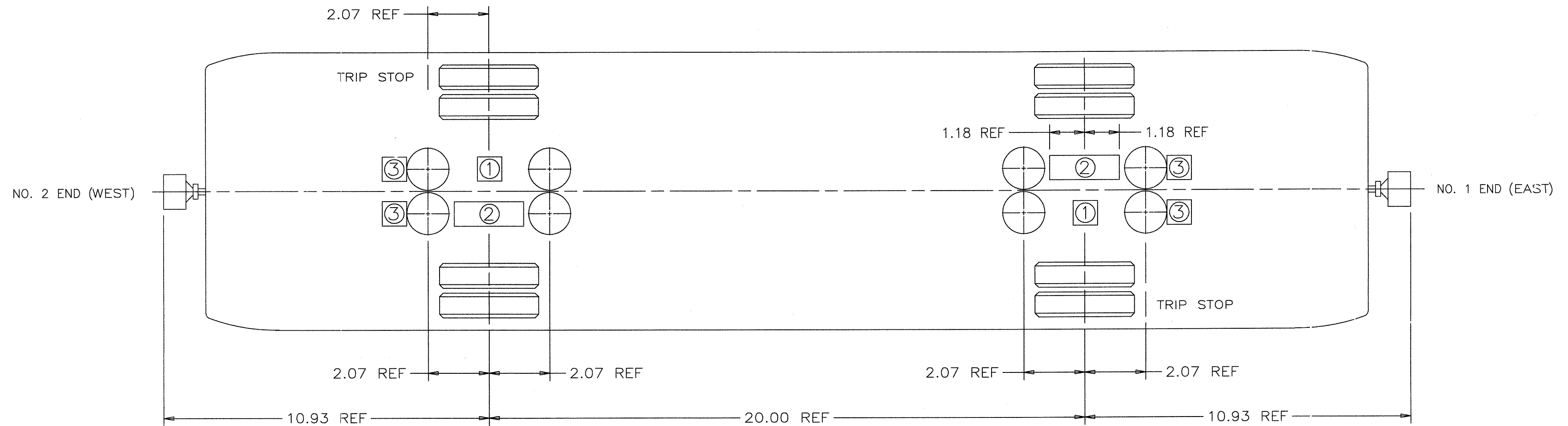


PROPRIETARY INFORMATION - SEE SHEET 1

AutoCAD

<b>GEOMETRIC CHARACTERISTIC SYMBOLS</b> FLATNESS STRAIGHTNESS ROUNDNESS (CIRCULARITY) CYLINDRICITY PROFILE OF ANY LINE PROFILE OF ANY SURFACE PARALLELISM PERPENDICULARITY (SQUARENESS) ANGULARITY RUNOUT TRUE POSITION CONCENTRICITY SYMMETRY MAXIMUM MATERIAL CONDITION (MMC) REGARDLESS OF FEATURE SIZE		DFTM. <b>J. WERNER</b> CHKR. ENGRG. <b>K. RYAN</b> MFG. APPD. DFTG. SU. IV. <b>E.D. WATTY</b>	DATE <b>8/21/97</b>	<b>BOMBARDIER</b>	
TITLE <b>WAYSIDE SYSTEM SCHEMATIC</b>				GEORGE BUSH INTERCONTINENTAL AIRPORT - HOUSTON	
DIMENSIONS IN INCHES SIZE <b>D</b>				DWS. NO. <b>5D81332</b>	REV. <b>9</b>
SCALE NONE		WT.	SHEET	<b>5</b>	

# VEHICLE ANTENNA LOCATIONS



- ① = I.D. TRANSMITTER
- ② = PROGRAM STOP, I.D. RECEIVER
- ③ = TRACK SIGNALLING ANTENNA

### NOTES:

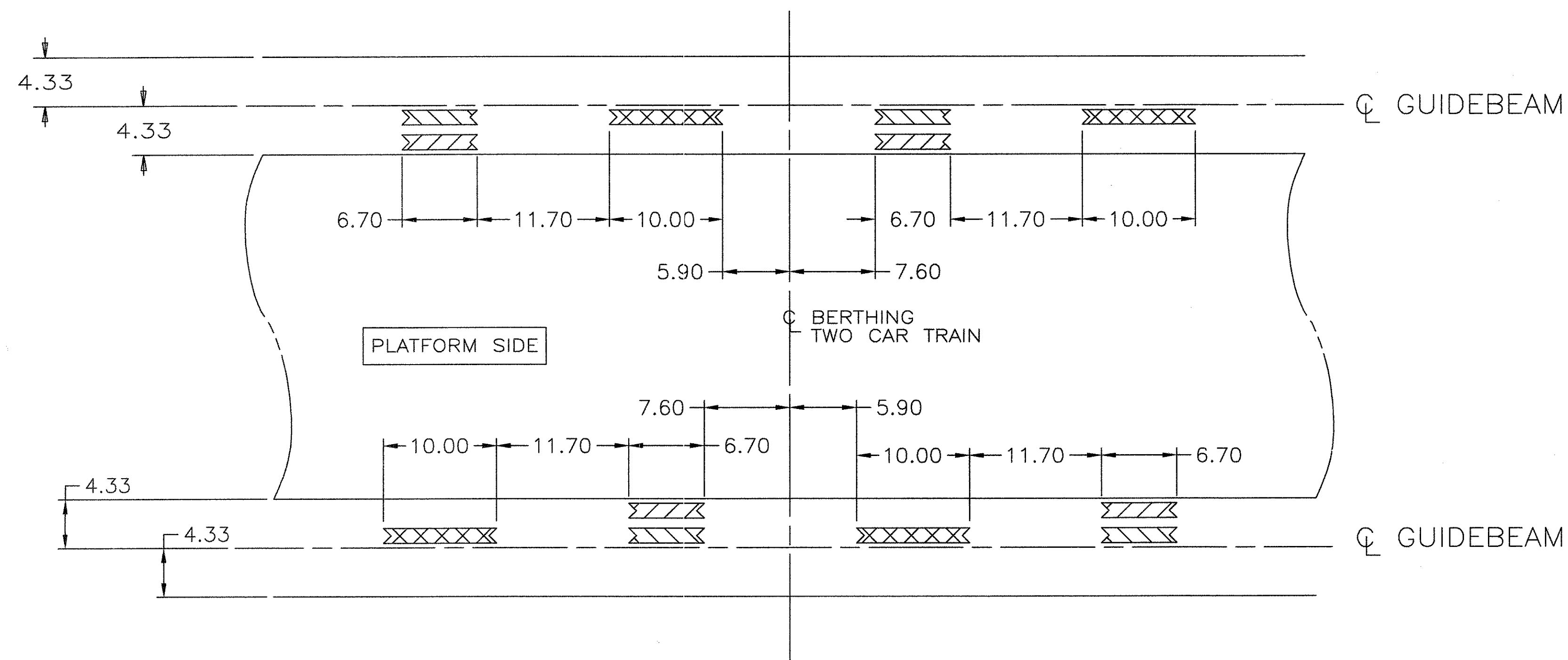
1. B-PHASE WILL BE LOCATED ON WALKWAY SIDE OF CENTERLINE I-BEAM.
2. ALL DIMENSIONS IN FEET.
3. 'STATION ANTENNA LOCATIONS PLAN VIEW' IS ORIENTATED WITH RESPECT TO THE PLATFORM SIDE OF THE BERTHING AREA.

### VEHICLE INFO TX FREQUENCY

O'S	I'S
8880 Hz	5920 Hz

ANTENNA CURRENT 40 TURNS, 142 MA RMS FUNDAMENTAL.  
 WAYSIDE RX VOLTAGE =  
 WAYSIDE THRESHOLD =

# STATION ANTENNA LOCATIONS PLAN VIEW



### WAYSIDE

	O'S	I'S
▨▨▨▨▨	7992 Hz	5328 Hz
▩▩▩▩▩	9544 Hz	6362 Hz
XXXXXX	8880 Hz	5920 Hz

ANTENNA CURRENT-SINGLE WAVE 350 MA RMS FUNDAMENTAL +0 - 10%  
 VEHICLE RECEIVED VOLTAGE =  
 VEHICLE THRESHOLD =

PROPRIETARY INFORMATION - SEE SHEET 1

AutoCAD

GEOMETRIC CHARACTERISTIC SYMBOLS	
FLATNESS	▭
STRAIGHTNESS	—
ROUNDNESS (CIRCULARITY)	○
CYLINDRICITY	○
PROFILE OF ANY LINE	△
PROFILE OF ANY SURFACE	△
PARALLELISM	∥
PERPENDICULARITY (SQUARENESS)	⊥
ANGULARITY	∠
RUNOUT	↻
TRUE POSITION	⊕
CONCENTRICITY	⊙
SYMMETRY	≡
MAXIMUM MATERIAL CONDITION (MMC)	Ⓜ
REGARDLESS OF FEATURE SIZE	Ⓢ

DFTM.	DATE
J. WERNER	8/21/97
CHKR.	
ENGRG.	
K. RYAN	
MFG.	
APPD.	
DFTG. SU'V.	
E.D. WATTY	

BOMBARDIER	
TITLE WAYSIDE SYSTEM SCHEMATIC	
GEORGE BUSH INTERCONTINENTAL AIRPORT - HOUSTON	
DIMENSIONS IN INCHES	
SIZE D	DWG. NO. 5D81332
SCALE NONE	WT-NONE
SHEET 6	REV. 9

THIS SHEET INTENTIONALLY LEFT BLANK

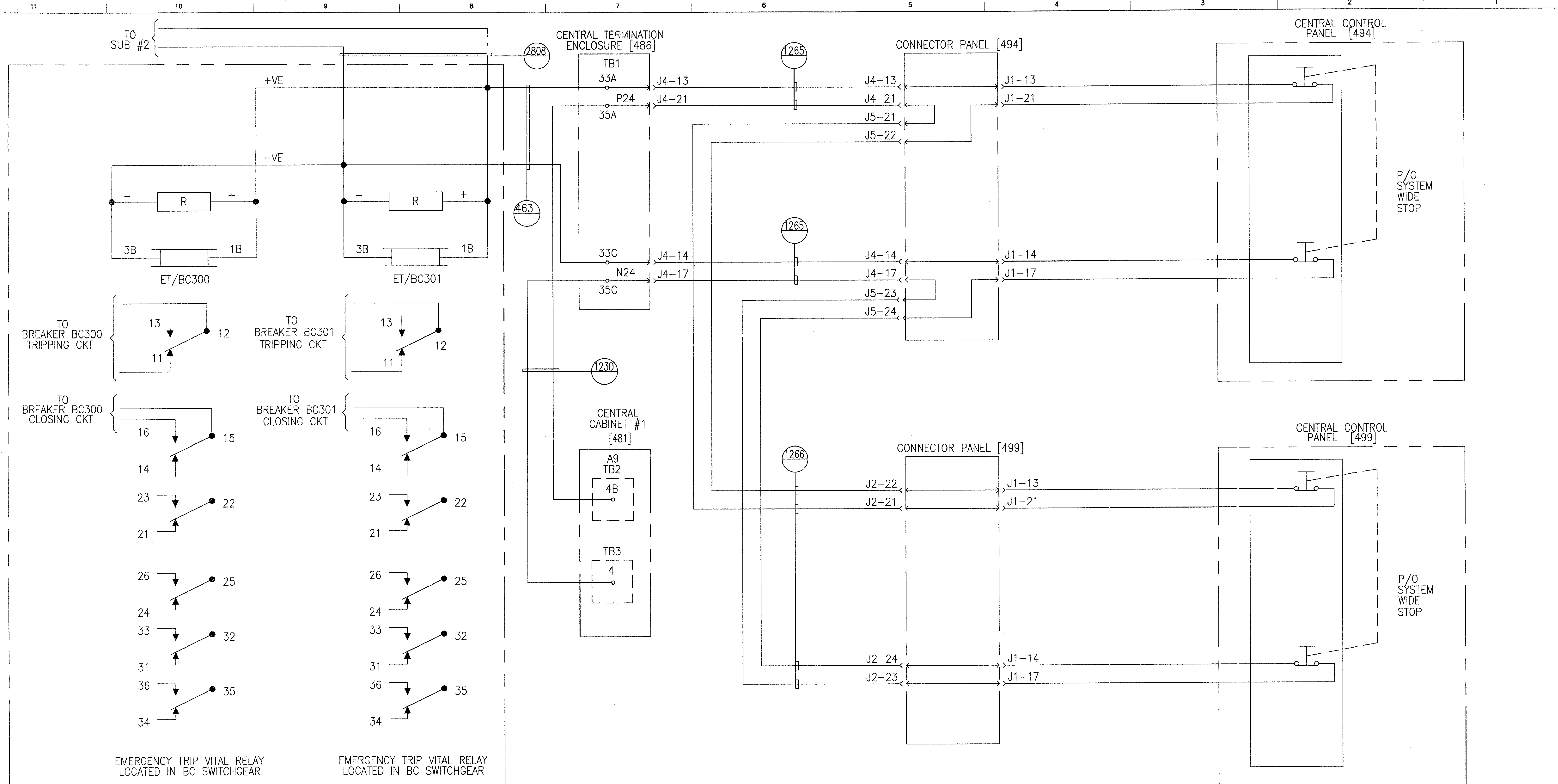
PROPRIETARY INFORMATION - SEE SHEET 1

AutoCAD

GEOMETRIC CHARACTERISTIC SYMBOLS	
FLATNESS	▭
STRAIGHTNESS	—
ROUNDNESS (CIRCULARITY)	○
CYLINDRICITY	⊘
PROFILE OF ANY LINE	⌒
PROFILE OF ANY SURFACE	⌒
PARALLELISM	∥
PERPENDICULARITY (SQUARENESS)	⊥
ANGULARITY	∠
RUNOUT	⊕
TRUE POSITION	⊕
CONCENTRICITY	⊕
SYMMETRY	⊕
MAXIMUM MATERIAL CONDITION (MMC)	Ⓜ
REGARDLESS OF FEATURE SIZE	Ⓛ

DFTM.	DATE
J. WERNER	8/21/97
CHKR.	
ENGRG.	
K. RYAN	
MFG.	
APPD.	
E.D. WATTY	174

BOMBARDIER			
TITLE			
WAYSIDE SYSTEM SCHEMATIC			
GEORGE BUSH INTERCONTINENTAL AIRPORT-HOUSTON			
DIMENSIONS IN INCHES			
SIZE	DWG. NO.	REV.	
D	5D81332	9	
SCALE NONE	WT.	SHEET	7



PDS VITAL EMERGENCY TRIP CIRCUIT

\* VITAL RELAYS ARE NORMALLY ENERGIZED

PROPRIETARY INFORMATION - SEE SHEET 1

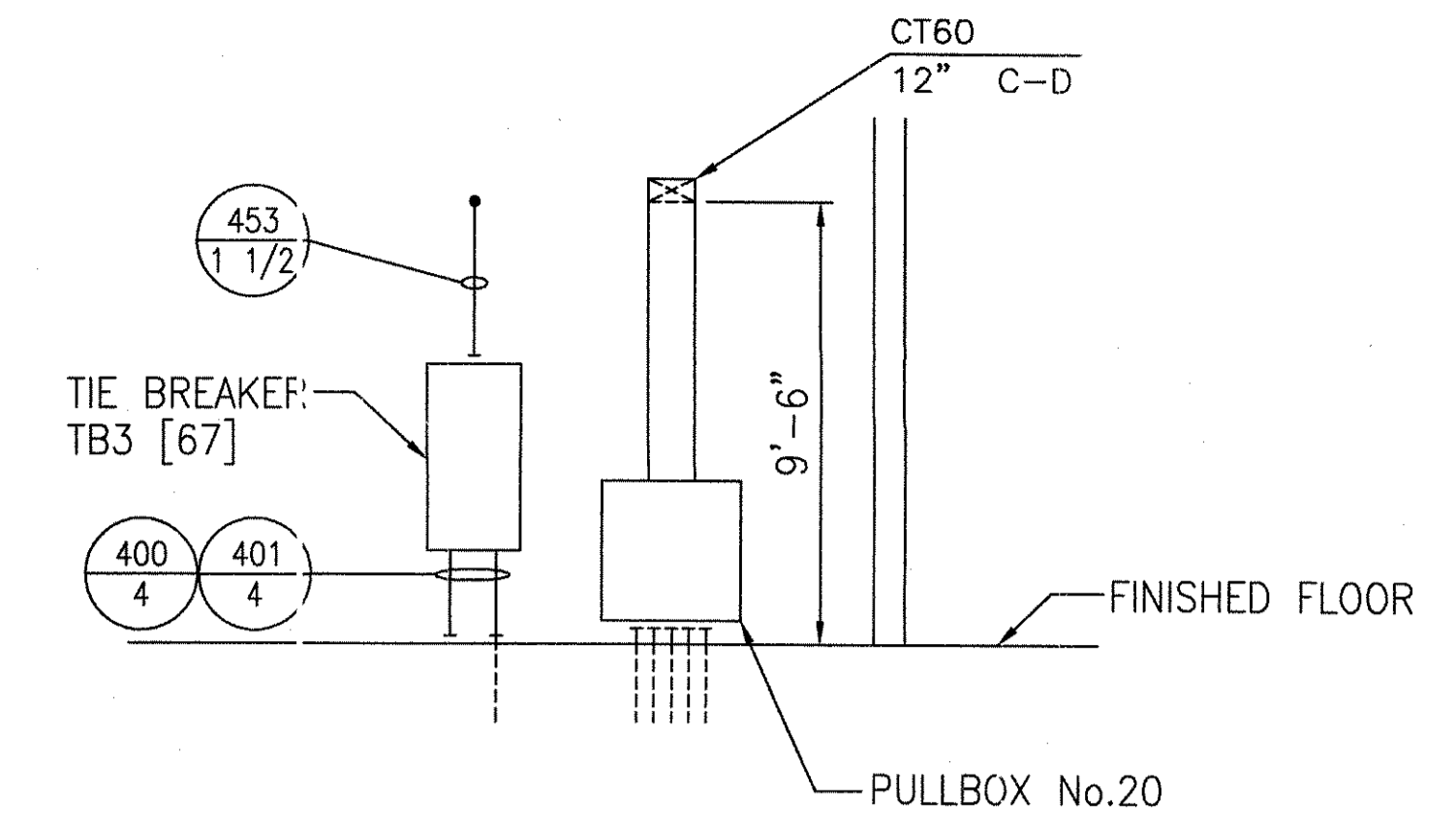
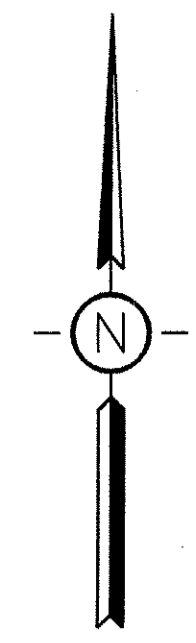
AutoCAD

GEOMETRIC CHARACTERISTIC SYMBOLS	
FLATNESS	▭
STRAIGHTNESS	—
ROUNDNESS (CIRCULARITY)	○
CYLINDRICITY	∅
PROFILE OF ANY LINE	—
PROFILE OF ANY SURFACE	—
PARALLELISM	∥
PERPENDICULARITY (SQUARENESS)	⊥
ANGULARITY	∠
RUNOUT	↻
TRUE POSITION	⊕
CONCENTRICITY	⊙
SYMMETRY	⊞
MAXIMUM MATERIAL CONDITION (MMC)	Ⓜ
REGARDLESS OF FEATURE SIZE	Ⓛ

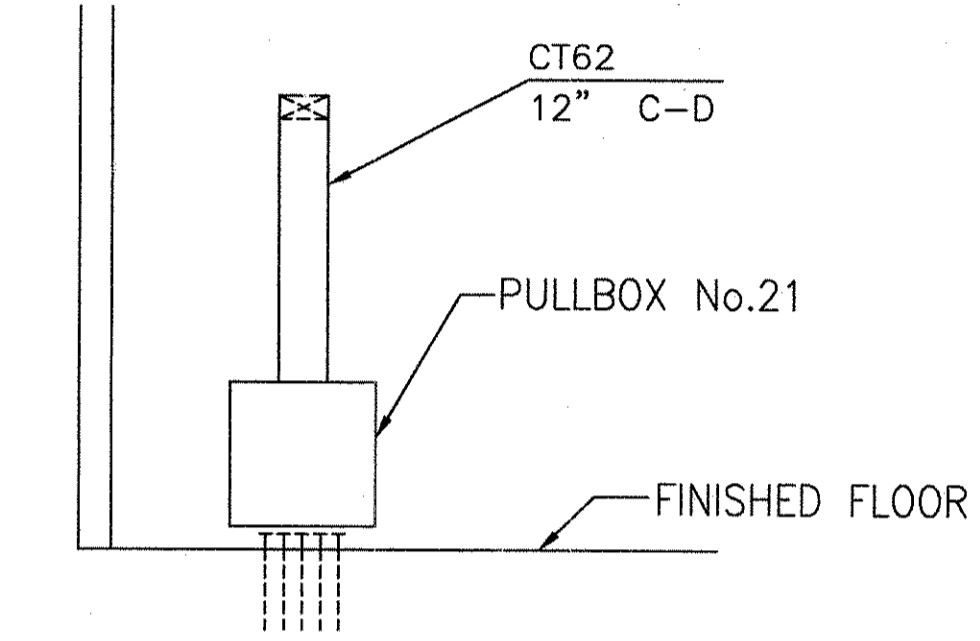
DFTM.	DATE
J. WEFNER	8/21/97
ENGRG.	
K. RYAN	
MFG.	
APPD.	
DFTG. SU-IV.	
E.D. WATTY	

BOMBARDIER	
TITLE WAYSIDE SYSTEM SCHEMATIC	
GEORGE BUSH INTERCONTINENTAL AIRPORT-HOUSTON	
DIMENSIONS IN INCHES	
SIZE D	DWG. NO. 5D81332
SCALE NONE	WT.
SHEET 8	REV. 9

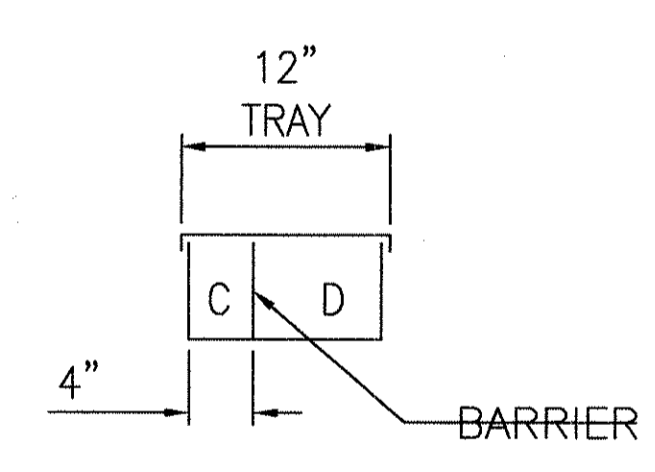




SECTION A-A



SECTION B-B



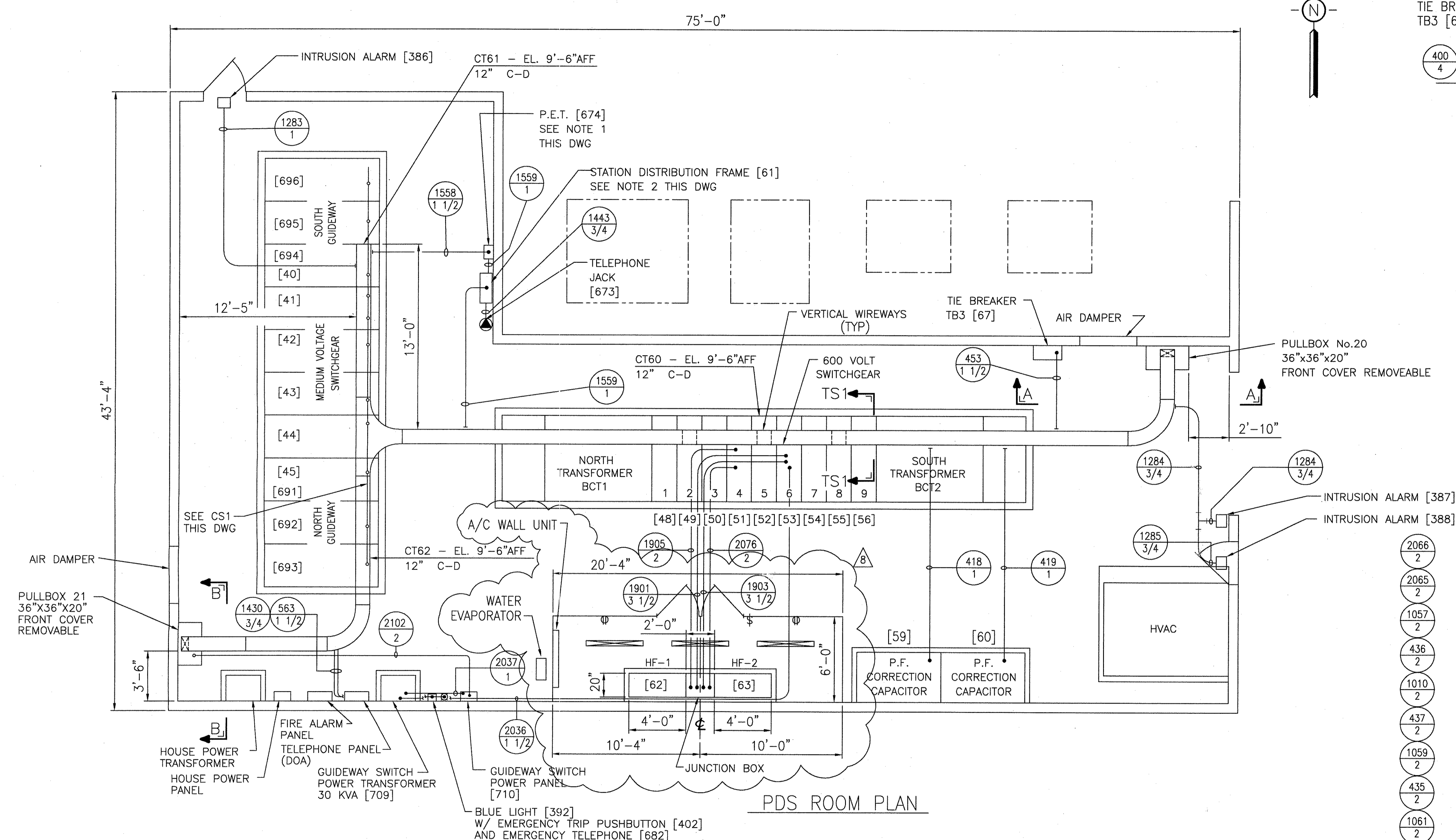
TS1-TS1

- 2066 2
2065 2
1057 2
436 2
1010 2
437 2
1059 2
435 2
1061 2
2062 2
2063 2

CS1

NOTES:

- 1. P.E.T. [674] INSTALLED BY OTHERS. CONTRACTOR TO INSTALL 2FT X 2FT X 3/4 inch MARINE PLYWOOD BACKBOARD.
2. STATION DISTRIBUTION FRAME [61] INSTALLED BY OTHERS. CONTRACTOR TO INSTALL 4 inch X 4 inch X 3/4 inch MARINE PLYWOOD BACKBOARD.



PDS ROOM PLAN

THIS DOCUMENT AND ITS CONTENTS ARE THE PROPERTY OF BOMBARDIER INC. OR ITS SUBSIDIARIES. THIS DOCUMENT CONTAINS CONFIDENTIAL PROPRIETARY INFORMATION. THE REPRODUCTION, DISTRIBUTION, UTILIZATION OR THE COMMUNICATION OF THIS DOCUMENT OR ANY PART THEREOF, WITHOUT EXPRESS AUTHORIZATION IS STRICTLY PROHIBITED. OFFENDERS WILL BE HELD LIABLE FOR THE PAYMENT OF DAMAGES.

AutoCAD

Table with 2 columns: NEXT ASSY., USED ON. Row 1: HOUSTON. Row 2: USED ON.

Revision table with columns for revision number, description, and date. Includes revisions 1 through 8.

APPROVED BY: DEPARTMENT OF AVIATION

Continental Airlines
ABOVEGROUND PEOPLE MOVER
George Bush Intercontinental Airport / Houston

DFTM. J. WERNER DATE 12/18/97
CHKR.
ENGRG. P. STIFBIS
MFG.
APPD.
DFTG. SUFV. E.D. MATTY

BOMBARDIER
TITLE GEORGE BUSH INTERCONTINENTAL AIRPORT/HOUSTON
SUBSTATION #1 CABLE TRAY AND CONDUIT
DIMENSIONS IN INCHES
SIZE D DWG. NO. 5D80991
REV. 8
SCALE: 1/4 inch = 1 foot

THIS SHEET INTENTIONALLY LEFT BLANK

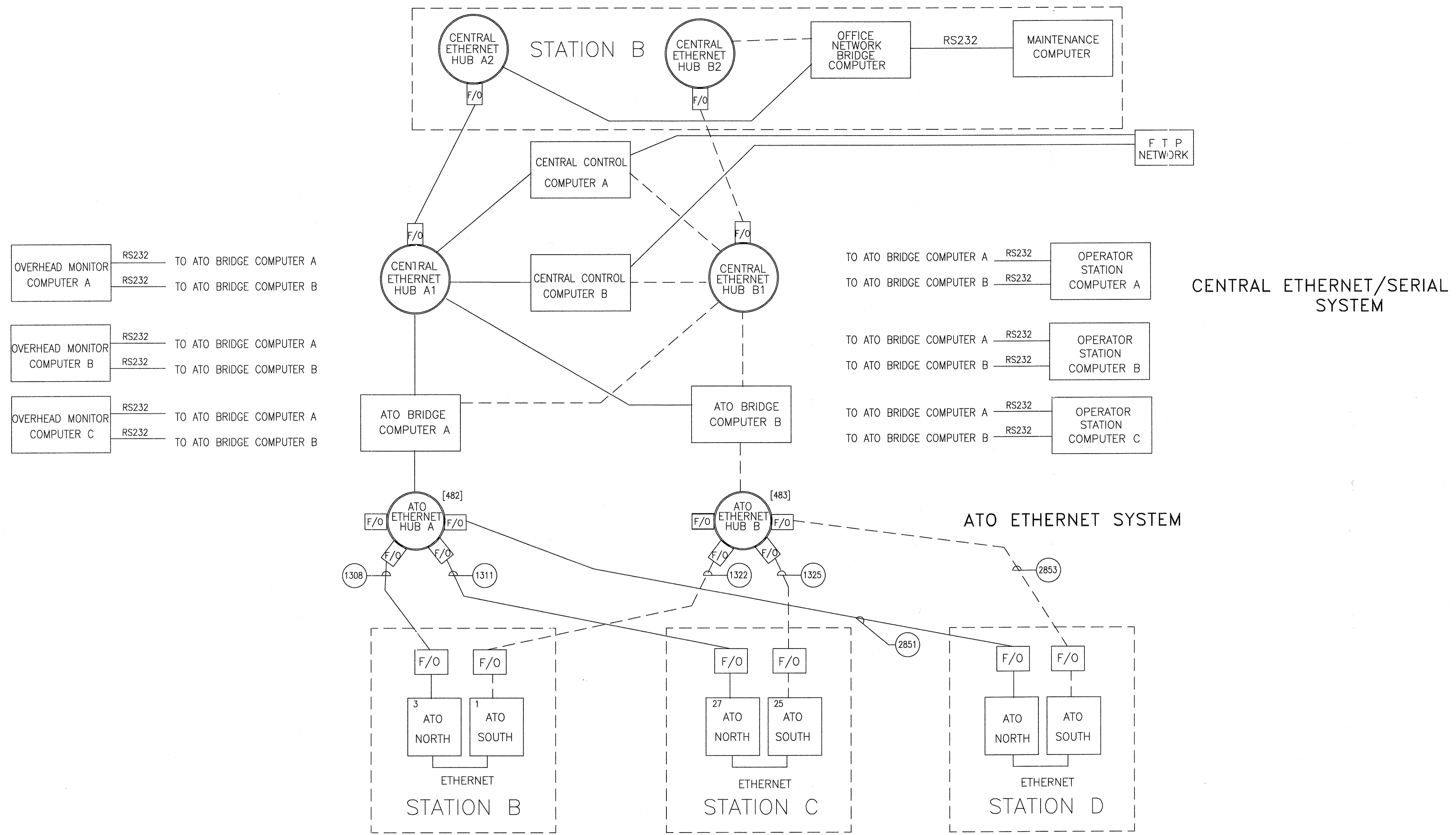
PROPRIETARY INFORMATION - SEE SHEET 1

AutoCAD

GEOMETRIC CHARACTERISTIC SYMBOLS	
FLATNESS	▭
STRAIGHTNESS	—
ROUNDNESS (CIRCULARITY)	○
CYLINDRICITY	⊘
PROFILE OF ANY LINE	⌒
PROFILE OF ANY SURFACE	⌒
PARALLELISM	∥
PERPENDICULARITY (SQUARENESS)	⊥
ANGULARITY	∠
RUNOUT	↺
TRUE POSITION	⊕
CONCENTRICITY	⊗
SYMMETRY	≡
MAXIMUM MATERIAL CONDITION (MMC)	Ⓜ
REGARDLESS OF FEATURE SIZE	Ⓛ

DFTM.	DATE
J. WEFNER	8/21/97
CHKR.	
ENGRG.	
K. RYAN	
MFG.	
APPD.	
DFTG. SU <sup>2</sup> V.	
E.D. MATTY	

BOMBARDIER		
TITLE		
WAYSIDE SYSTEM SCHEMATIC		
GEORGE BUSH INTERCONTINENTAL AIRPORT-HOUSTON		
DIMENSIONS IN INCHES		
SIZE	DWG. NO.	REV.
D	5D81332	9
SCALE NONE	WT.	SHEET 9

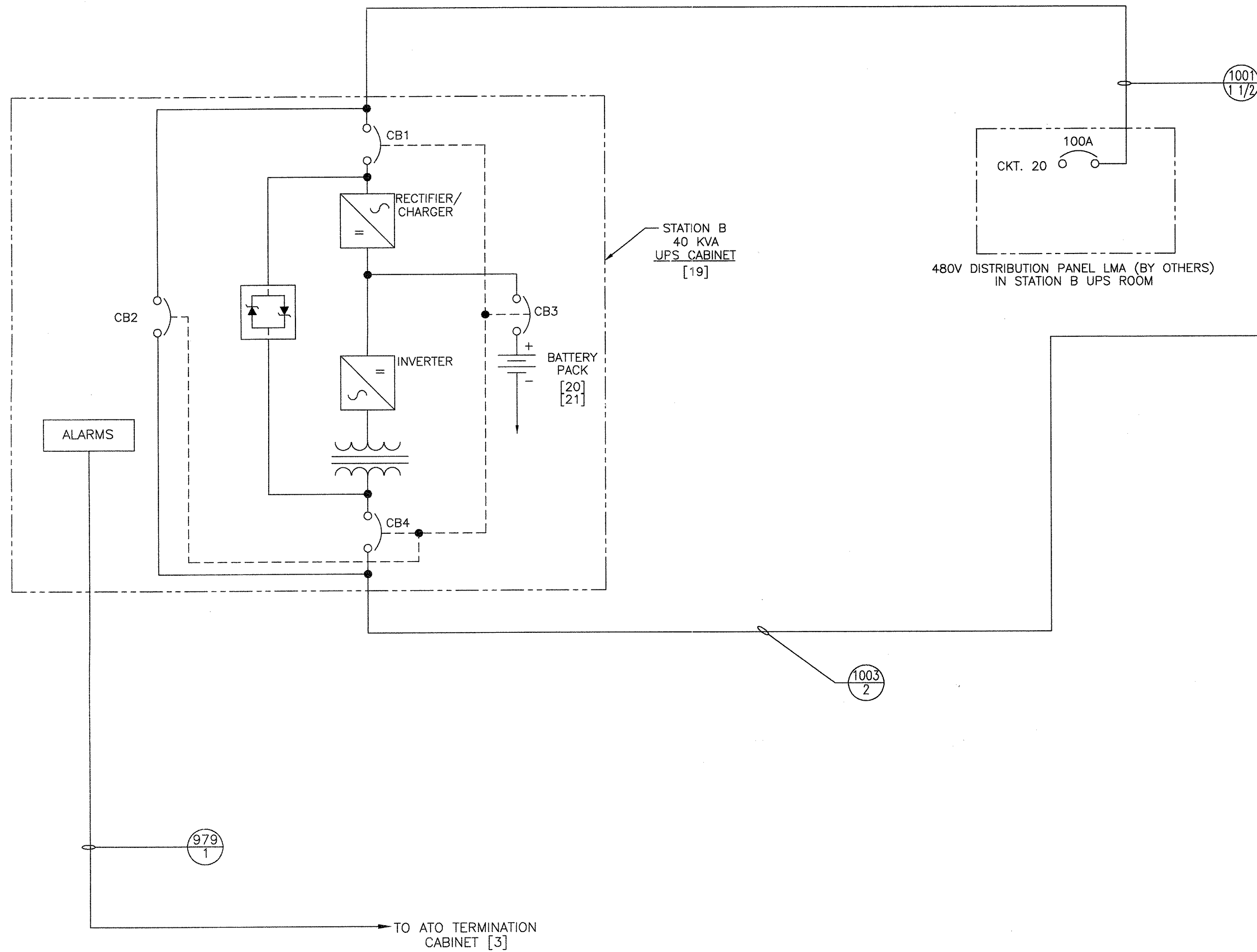


HOUSTON SYSTEM BLOCK DIAGRAM

PROPRIETARY INFORMATION - SEE SHEET 1

AutoCAD

GEOMETRIC CHARACTERISTIC SYMBOLS FLATNESS STRAIGHTNESS ROUNDNESS (CIRCULARITY) CYLINDRICITY PROFILE OF ANY LINE PROFILE OF ANY SURFACE PARALLELISM PERPENDICULARITY (SQUARENESS) ANGULARITY RUNOUT TRUE POSITION CONCENTRICITY SYMMETRY MAXIMUM MATERIAL CONDITION (MMC) REGARDLESS OF FEATURE SIZE	DFTM. J. WERNER	DATE 8/21/97	BOMBARDIER TITLE WAYSIDE SYSTEM SCHEMATIC GEORGE BUSH INTERCONTINENTAL AIRPORT-HOUSTON	
	ENGRG. K. RYAN	APPD. E.D. MATTY		DIMENSIONS IN INCHES SIZE D
	SCALE NONE	WT.	SHEET 10	



ELECTRICAL DATA: 120/208 3 $\phi$  / 4W  
 PANEL TYPE: UPS DISTRIBUTION  
 MAINS: 225 AMP MOLDED CASE CKT. BKR  
 MOUNTING SURFACE: SURFACE

IDENTIFICATION	A AMPS LOAD	B AMPS LOAD	C AMPS LOAD	AMP TRIP CB	POLES	CIR. No.	A B C	CIR. No.	POLES	AMP TRIP CB	A AMPS LOAD	B AMPS LOAD	C AMPS LOAD	IDENTIFICATION
CENTRAL CONTROL UPS DISTRIBUTION PANEL [480]	46			70	3	1	●	2	3	150	54			EMERG. WALKWAY LGT. PWR. XFMR #1 [433]
--		39				3	●	4	--	--		58		EMERG. WALKWAY LGT. PWR. XFMR #1 [433]
--			39			5	●	6	--	--			50	EMERG. WALKWAY LGT. PWR. XFMR #1 [433]
BLANK						7	●	8	3	30				SPARE
BLANK						9	●	10	--	--				SPARE
BLANK						11	●	12	--	--				SPARE
ATC ROOM UPS DISTRIBUTION PANEL [24]					3	13	●	14	3		6			ATC ROOM UPS DISTRIBUTION PANEL [24]
ATC ROOM UPS DISTRIBUTION PANEL [24]					--	15	●	16				6		ATC ROOM UPS DISTRIBUTION PANEL [24]
SPARE						17	●	18					6	ATC ROOM UPS DISTRIBUTION PANEL [24]
TOTAL AMPS	46	39	39								60	64	56	TOTAL AMPS

STATION B  
 UPS ROOM  
 DISTRIBUTION PANEL  
 [23]

"REFERENCE ONLY  
 SEE 5D80993 FOR LATEST"

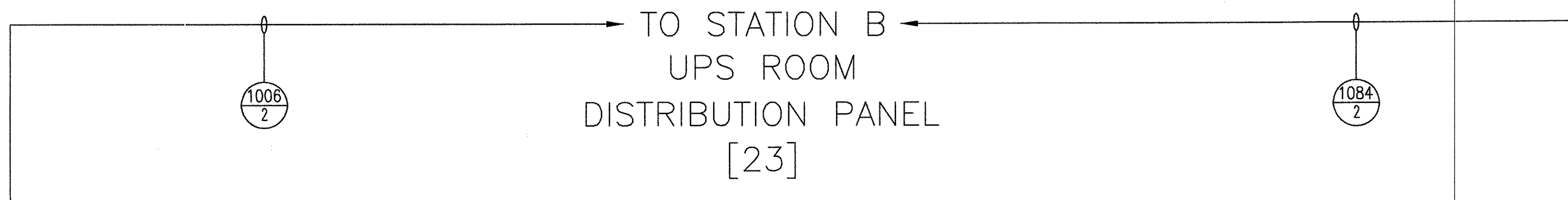
PROPRIETARY INFORMATION - SEE SHEET 1

AutoCAD

GEOMETRIC CHARACTERISTIC SYMBOLS
FLATNESS
STRAIGHTNESS
ROUNDNESS (CIRCULARITY)
CYLINDRICITY
PROFILE OF ANY LINE
PROFILE OF ANY SURFACE
PARALLELISM
PERPENDICULARITY (SQUARENESS)
ANGULARITY
RUNOUT
TRUE POSITION
CONCENTRICITY
SYMMETRY
MAXIMUM MATERIAL CONDITION (MMC)
REGARDLESS OF FEATURE SIZE

DFTM.	DATE
J. WEFNER	8/21/97
CHKR.	
ENGRG.	
K. RYAN	
MFG.	
APPD.	
DFTG. SUPV.	
E.D. NIATTY	

BOMBARDIER	
TITLE WAYSIDE SYSTEM SCHEMATIC	
GEORGE BUSH INTERCONTINENTAL AIRPORT-HOUSTON	
DIMENSIONS IN INCHES	
SIZE D	DWG. NO. 5D81332
SCALE NONE	WT.
SHEET 11	REV. 9



ELECTRICAL DATA: 120/208 3Ø / 4W  
 PANEL TYPE: UPS DISTRIBUTION

MAINS: 150 AMP MOLDED CASE CKT. BKR  
 MOUNTING SURFACE: SURFACE

IDENTIFICATION	A AMPS LOAD	B AMPS LOAD	C AMPS LOAD	AMP TRIP CB	POLES	CIR. No.	A B C	CIR. No.	POLES	AMP TRIP CB	A AMPS LOAD	B AMPS LOAD	C AMPS LOAD	IDENTIFICATION
GEALOC CABINET [9]	2			15	1	1	●	2	1	15	3			600 VOLT SWITCHGEAR PLC [48]
MEDIUM VOLTAGE SWITCHGEAR [40]		10		20	1	3	●	4	1	15		3		600 VOLT SWITCHGEAR PLC [56]
600V PDS SWITCHGEAR			10	20	1	5	●	6	1	20			11	GEALOC CABINET [8]
SOUTH ATO CABINET [1]	11			20	1	7	●	8	1	20	12			SOUTH TX/RX CABINET [4]
NORTH ATO CABINET [3]		11		20	1	9	●	10	1	20		12		NORTH TX/RX CABINET [6]
PA CABINET [11]			9	15	1	11	●	12	1	15			1	EMERG. WALKWAY LTG CONTACTOR [435]
WAYSIDE BREAKER SB1 [442]	3			15	1	13	●	14	1	20				COMM CAB B [15]
SP				15	1	15	●	16	1	15				SPARE
WAYSIDE BREAKER SB3 [462]			3	15	1	17	●	18	1	15			3	MAINT. ROOM EQUIP. RECEPT.
WAYSIDE BREAKER SB4 [472]	3			20	1	19	●	20	1	15	3			TIE BREAKER TB1 [65]
SPARE				15	1	21	●	22	1	15		3		TIE BREAKER TB2 [66]
MAINTENANCE COMP. CABINET [134]				15	1	23	●	24	1	15			3	TIE BREAKER TB3 [67]
SPARE				15	1	25	●	26	1	15				SPARE
SPARE				15	1	27	●	28	1	15				SPARE
SPARE				15	1	29	●	30	1	15				SPARE
SPARE				15	1	31	●	32	1	15				SPARE
SPARE				15	1	33	●	34	1	15				SPARE
SPARE				15	1	35	●	36	1	15				SPARE
SOUTH PLATFORM UPS DISTRIBUTION PANEL [299]	8	8	7	40	3	37	●	38	3	40	9	8	7	NORTH PLATFORM UPS DISTRIBUTION PANEL [298]
SOUTH PLATFORM UPS DISTRIBUTION PANEL [299]				-	-	39	●	40	-	-				NORTH PLATFORM UPS DISTRIBUTION PANEL [298]
SOUTH PLATFORM UPS DISTRIBUTION PANEL [299]				-	-	41	●	42	-	-				NORTH PLATFORM UPS DISTRIBUTION PANEL [298]
TOTAL AMPS	27	29	29								27	26	24	TOTAL AMPS

STATION B  
 ATC ROOM  
 DISTRIBUTION PANEL  
 [24]

ELECTRICAL DATA: 120/208 3Ø / 4W  
 PANEL TYPE: UPS DISTRIBUTION

MAINS: 100 AMP MOLDED CASE CKT. BKR  
 MOUNTING SURFACE: SURFACE

IDENTIFICATION	A AMPS LOAD	B AMPS LOAD	C AMPS LOAD	AMP TRIP CB	POLES	CIR. No.	A B C	CIR. No.	POLES	AMP TRIP CB	A AMPS LOAD	B AMPS LOAD	C AMPS LOAD	IDENTIFICATION
CENTRAL CONTROL CONSOLE BAY No.1 [491]	4			15	1	1	●	2	1	15	4			CENTRAL CONTROL CONSOLE BAY No.2 [492]
CENTRAL CONTROL CONSOLE BAY No.3 [493]		4		15	1	3	●	4	1	15		4		CENTRAL CONTROL CONSOLE BAY No.4 [494]
CENTRAL CONTROL CONSOLE BAY No.5 [495]			4	15	1	5	●	6	1	15			4	CENTRAL CONTROL CONSOLE BAY No.6 [496]
CENTRAL CONTROL CONSOLE BAY No.7 [497]	4			15	1	7	●	8	1	15	4			CENTRAL CONTROL CONSOLE BAY No.8 [498]
CENTRAL CONTROL CONSOLE BAY No.9 [499]		4		15	1	9	●	10	1	15		4		CENTRAL CONTROL CONSOLE BAY No.10 [500]
CENTRAL CONTROL CONSOLE BAY No.11 [501]			7	15	1	11	●	12	1	15			5	CENTRAL CONTROL CONSOLE BAY No.12 [502]
CCTV OVERHEAD MONITOR RECEPTACLE	7			15	1	13	●	14	1	15	4			ATC OVERHEAD MONITOR RECEPTACLE
CENTRAL COMPUTER CABINET No.1 [481]		17		30	1	15	●	16	1	20		5		COMM CAB C [484]
CENTRAL COMPUTER CABINET No.2 [482]			17	30	1	17	●	18	1	15			2	ORS VOICE RADIO
CENTRAL COMPUTER CABINET No.3 [483]	17			30	1	19	●	20		15	2			ORS DATA RADIO
ATC OVERHEAD MONITOR		4		15	1	21	●	22		15		2		MRS VOICE RADIO
SPARE				15	1	23	●	24		15				INTERNAL - TELEPHONE CBX [651]
SPARE				15	1	25	●	26	1	15				SPARE
SPARE				15	1	27	●	28	1	15				SPARE
SPARE				15	1	29	●	30	1	15				SPARE
SPARE				15	1	31	●	32	1	15				SPARE
SPARE				15	1	33	●	34	1	15				SPARE
SPARE				15	1	35	●	36	1	15				SPARE
SPARE				15	1	37	●	38	1	15				SPARE
SPARE				15	1	39	●	40	1	15				SPARE
SPARE				15	1	41	●	42	1	15				SPARE
TOTAL AMPS	32	29	28								14	15	11	TOTAL AMPS

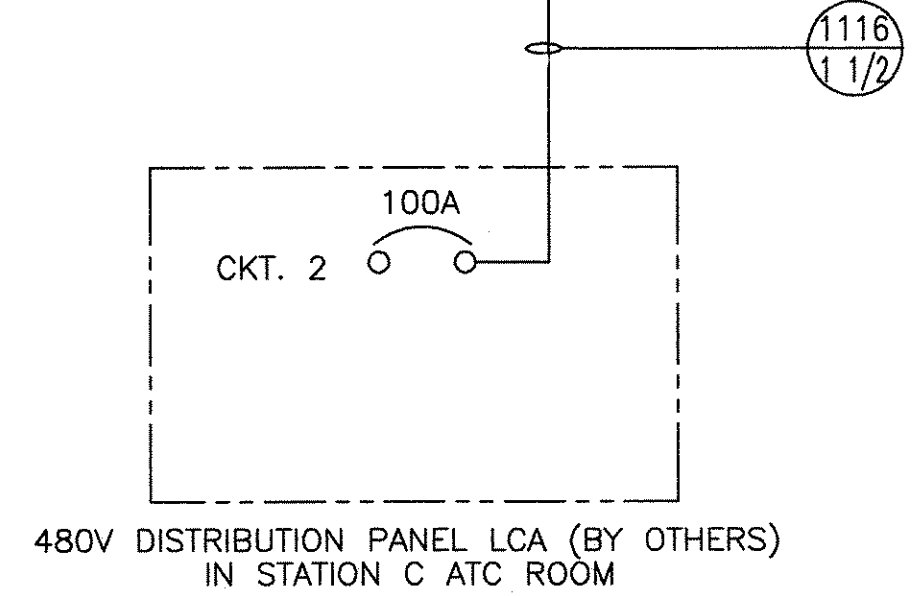
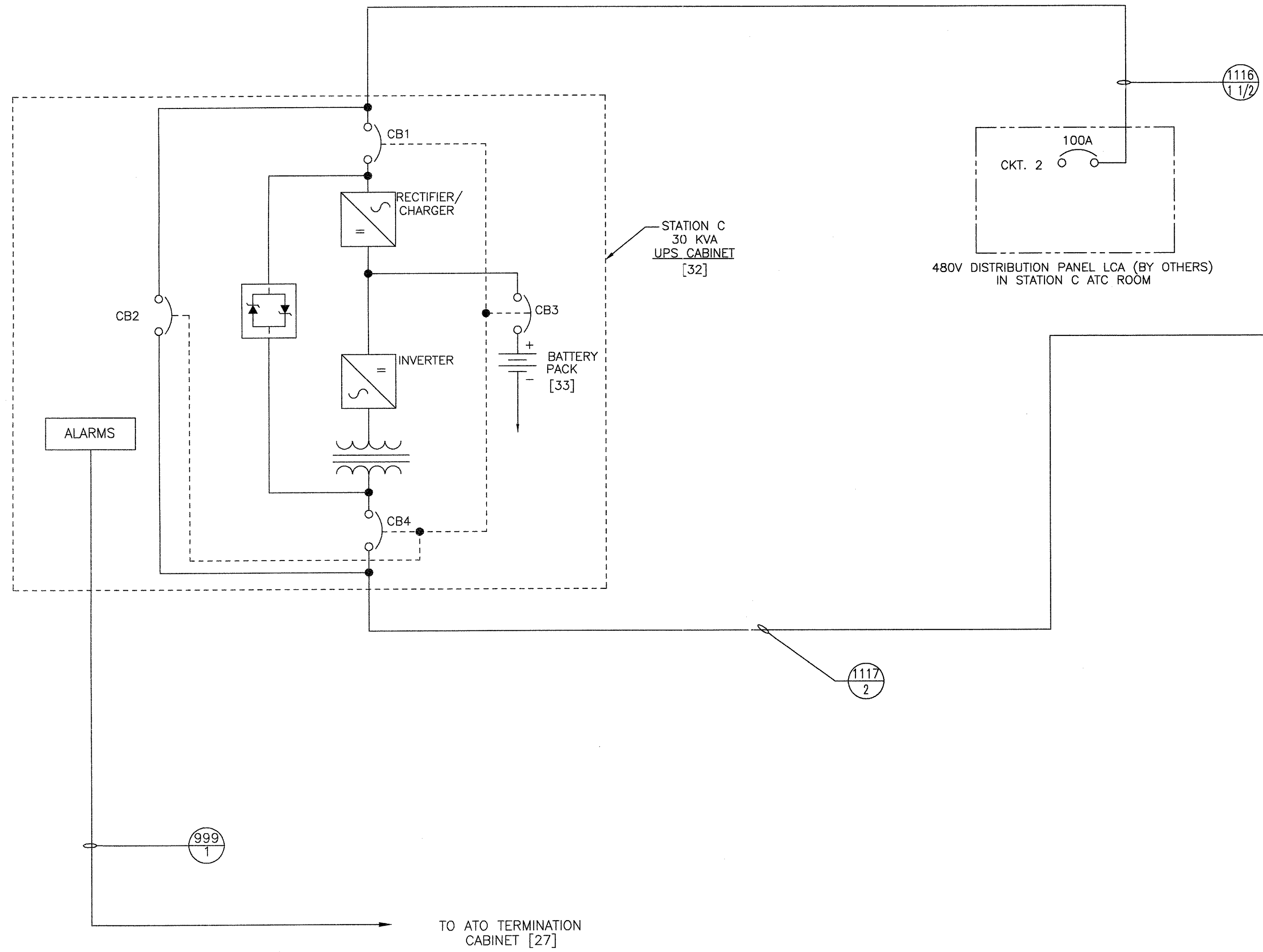
CENTRAL CONTROL UPS  
 DISTRIBUTION PANEL  
 [480]

"REFERENCE ONLY  
 SEE 5D80993 FOR LATEST"

PROPRIETARY INFORMATION - SEE SHEET 1

AutoCAD

<b>GEOMETRIC CHARACTERISTIC SYMBOLS</b> FLATNESS STRAIGHTNESS ROUNDNESS (CIRCULARITY) CYLINDRICITY PROFILE OF ANY LINE PROFILE OF ANY SURFACE PARALLELISM PERPENDICULARITY (SQUARENESS) ANGULARITY RUNOUT TRUE POSITION CONCENTRICITY SYMMETRY MAXIMUM MATERIAL CONDITION (MMC) REGARDLESS OF FEATURE SIZE	DFTM. J. WEFNER CHKR. ENGRG. K. RYAN MFG. APPD. DFTG. SU'V. E.D. WATTY	DATE 8/21/97 TITLE WAYSIDE SYSTEM SCHEMATIC GEORGE BUSH INTERCONTINENTAL AIRPORT-HOUSTON DIMENSIONS IN INCHES SIZE D DWG. NO. 5D81332 REV. 9 SCALE NONE WT. SHEET 12	<b>BOMBARDIER</b> GEORGE BUSH INTERCONTINENTAL AIRPORT-HOUSTON DIMENSIONS IN INCHES DWG. NO. 5D81332 REV. 9 SCALE NONE WT. SHEET 12
---	--	--	--



ELECTRICAL DATA: 120/208 3Ø / 4W  
 PANEL TYPE: UPS DISTRIBUTION  
 MAINS: 100 AMP MOLDED CASE CKT. BKR  
 MOUNTING SURFACE: SURFACE

IDENTIFICATION	A AMPS LOAD	B AMPS LOAD	C AMPS LOAD	AMP TRIP CB	POLES	CIR. No.	A	B	C	CIR. No.	POLES	AMP TRIP CB	A AMPS LOAD	B AMPS LOAD	C AMPS LOAD	IDENTIFICATION
NORTH ATO CABINET [27]	6			15	1	1	•			2	1	15	6			SOUTH ATO CABINET [25]
SPARE				15	1	3	•			4	1	15		1		EMERG. WALKWAY LTG CONTACTOR [438]
COMM CAB C [34]			3	20	1	5		•		6	1	15			9	PA CABINET [28]
TIE BREAKER TB4 [68]	3			15	1	7	•			8	1	15	3			WAYSIDE BREAKER WS1 [70]
TIE BREAKER TB5 [69]		3		15	1	9		•		10	1	15		3		WAYSIDE BREAKER WS2 [71]
SPARE				15	1	11	•			12	1	15				SPARE
SPARE				15	1	13	•			14	3	30	6			EMERGENCY WALKWAY LIGHTING PWR. XFMR #2 [436]
SPARE				15	1	15	•			16				6		--
SPARE				15	1	17	•			18					6	--
NORTH PLATFORM UPS DISTRIBUTION PANEL [318]	8			40	3	19	•			20	3	40	8			SOUTH PLATFORM UPS DISTRIBUTION PANEL [319]
--		6				21	•			22				8		--
--			9			23	•			24					8	--
TOTAL AMPS	17	9	12										23	23	23	TOTAL AMPS

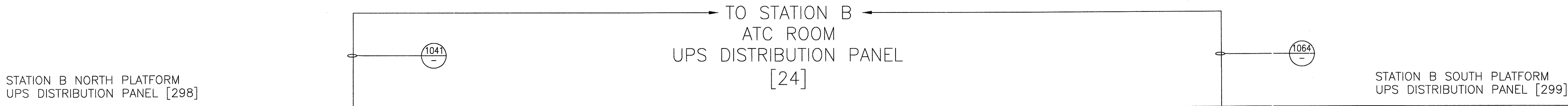
STATION C  
 ATC ROOM  
 DISTRIBUTION PANEL  
 [35]

"REFERENCE ONLY  
 SEE 5D80993 FOR LATEST"

PROPRIETARY INFORMATION - SEE SHEET 1

AutoCAD

<b>GEOMETRIC CHARACTERISTIC SYMBOLS</b> FLATNESS: ▭ STRAIGHTNESS: — ROUNDNESS (CIRCULARITY): ○ CYLINDRICITY: ∅ PROFILE OF ANY LINE: ~ PROFILE OF ANY SURFACE: ~ PARALLELISM: // PERPENDICULARITY (SQUARENESS): ⊥ ANGULARITY: ∠ RUNOUT: Ⓢ TRUE POSITION: ⊕ CONCENTRICITY: ⊕ SYMMETRY: ⊕ MAXIMUM MATERIAL CONDITION (MMC): M REGARDLESS OF FEATURE SIZE: R		DFTM. J. WEFNER ENGRG. K. RYAN APPD. DFTG. SU-IV. E.D. NATTY	DATE 8/21/97 <b>BOMBARDIER</b> TITLE: WAYSIDE SYSTEM SCHEMATIC GEORGE BUSH INTERCONTINENTAL AIRPORT-HOUSTON DIMENSIONS IN INCHES SIZE D DWG. NO. 5D81332 REV. 9 SCALE NONE WT. SHEET 13
---	--	---	---

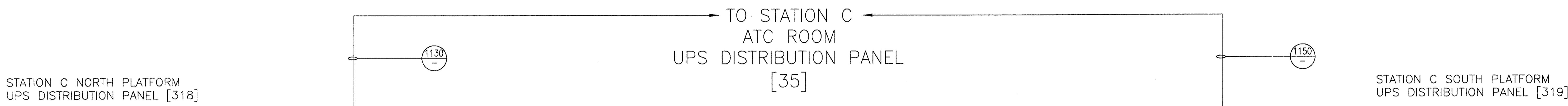


ELECTRICAL DATA: 120/208 3 $\phi$  / 4W  
 PANEL TYPE: UPS DISTRIBUTION  
 MAINS: 100 AMP MOLDED CASE CKT. BKR  
 MOUNTING SURFACE: FLUSH

IDENTIFICATION	A AMPS LOAD	B AMPS LOAD	C AMPS LOAD	AMP TRIP CB	POLES	CIR. No.	A B C	CIR. No.	POLES	AMP TRIP CB	A AMPS LOAD	B AMPS LOAD	C AMPS LOAD	IDENTIFICATION
NORTH GUIDEWAY DOOR A-1-2 [300]	3			15	1	1	●	2	1	15	3			NORTH GUIDEWAY DOOR B-1-2 [301]
NORTH GUIDEWAY DOOR A-2-2 [302]		3		15	1	3	●	4	1	15		3		NORTH GUIDEWAY DOOR B-2-2 [303]
LED GRAPHICS SIGN RECEPTACLE			4	15	1	5	●	6	1	15			3	NORTH GUIDEWAY BLUE LIGHTS
CCTV CAMERA	1			15	1	7	●	8	1	15	1			PASSENGER SENSOR TRANSMITTER [311]
CCTV CAMERA		1		15	1	9	●	10	1	15			2	EMERGENCY DOOR ALARM CKT.
SPARE				15	1	11	●	12	1	15				SPARE
TOTAL AMPS	4	4	4								4	3	5	TOTAL AMPS

ELECTRICAL DATA: 120/208 3 $\phi$  / 4W  
 PANEL TYPE: UPS DISTRIBUTION  
 MAINS: 100 AMP MOLDED CASE CKT. BKR  
 MOUNTING SURFACE: FLUSH

IDENTIFICATION	A AMPS LOAD	B AMPS LOAD	C AMPS LOAD	AMP TRIP CB	POLES	CIR. No.	A B C	CIR. No.	POLES	AMP TRIP CB	A AMPS LOAD	B AMPS LOAD	C AMPS LOAD	IDENTIFICATION
SOUTH GUIDEWAY DOOR A-1-3 [305]	3			15	1	1	●	2	1	15	3			SOUTH GUIDEWAY DOOR B-1-3 [304]
SOUTH GUIDEWAY DOOR A-2-3 [307]		3		15	1	3	●	4	1	15		3		SOUTH GUIDEWAY DOOR B-2-3 [306]
LED GRAPHICS SIGNS RECEPTACLES			4	15	1	5	●	6	1	15			3	SOUTH GUIDEWAY BLUE LIGHTS
CCTV CAMERA	1			15	1	7	●	8	1	15	1			SPARE
CCTV CAMERA		1		15	1	9	●	10	1	15			2	EMERGENCY DOOR ALARM CKT.
SPARE				15	1	11	●	12	1	15				SPARE
TOTAL AMPS	4	4	4								4	3	5	TOTAL AMPS



ELECTRICAL DATA: 120/208 3 $\phi$  / 4W  
 PANEL TYPE: UPS DISTRIBUTION  
 MAINS: 100 AMP MOLDED CASE CKT. BKR  
 MOUNTING SURFACE: FLUSH

IDENTIFICATION	A AMPS LOAD	B AMPS LOAD	C AMPS LOAD	AMP TRIP CB	POLES	CIR. No.	A B C	CIR. No.	POLES	AMP TRIP CB	A AMPS LOAD	B AMPS LOAD	C AMPS LOAD	IDENTIFICATION
NORTH GUIDEWAY DOOR A-1-2 [320]	3			15	1	1	●	2	1	15	3			NORTH GUIDEWAY DOOR B-1-2 [321]
NORTH GUIDEWAY DOOR A-2-2 [322]		3		15	1	3	●	4	1	15		3		NORTH GUIDEWAY DOOR B-2-2 [323]
CCTV CAMERA			1	15	1	5	●	6	1	15			1	PASSENGER SENSOR TRANSMITTER [331]
CCTV CAMERA	1			15	1	7	●	8	1	15				SPARE
SPARE				15	1	9	●	10	1	15			2	EMERGENCY DOOR ALARM CKT.
LED GRAPHICS SIGN RECEPTACLE			4	15	1	11	●	12	1	15			2	NORTH GUIDEWAY BLUE LIGHTS
TOTAL AMPS	4	3	5								3	3	5	TOTAL AMPS

ELECTRICAL DATA: 120/208 3 $\phi$  / 4W  
 PANEL TYPE: UPS DISTRIBUTION  
 MAINS: 100 AMP MOLDED CASE CKT. BKR  
 MOUNTING SURFACE: FLUSH

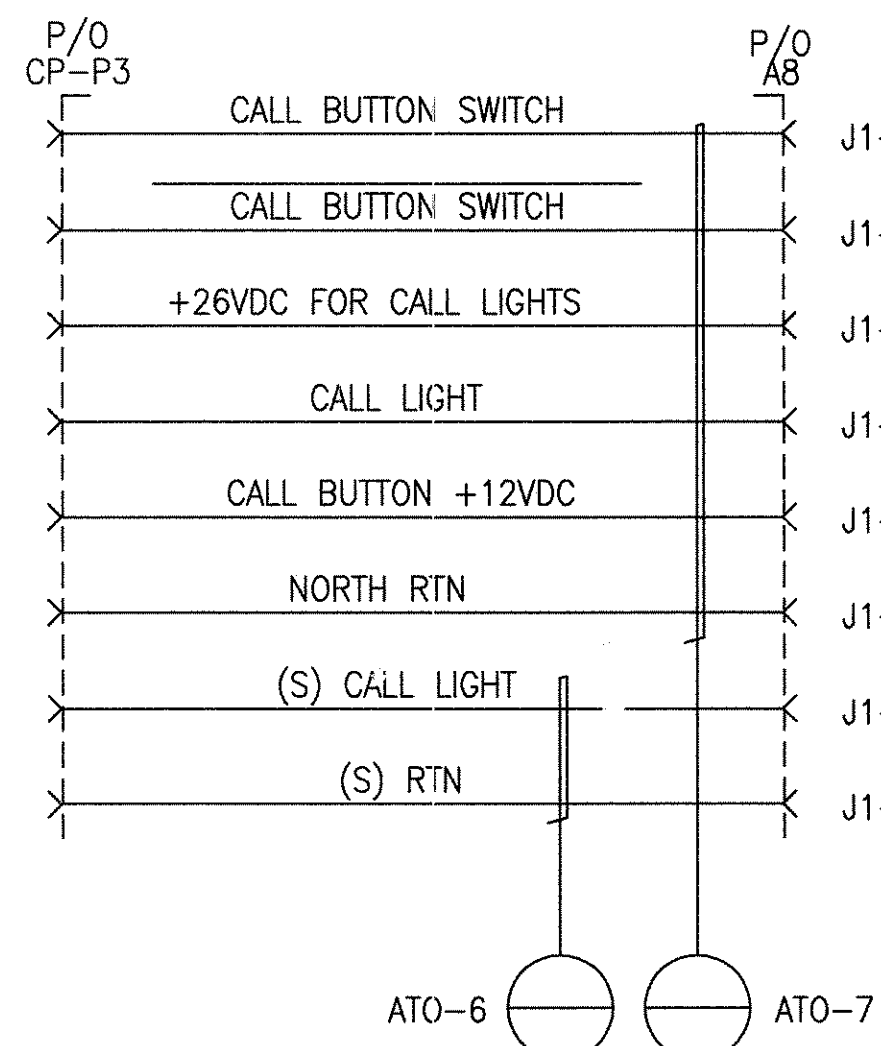
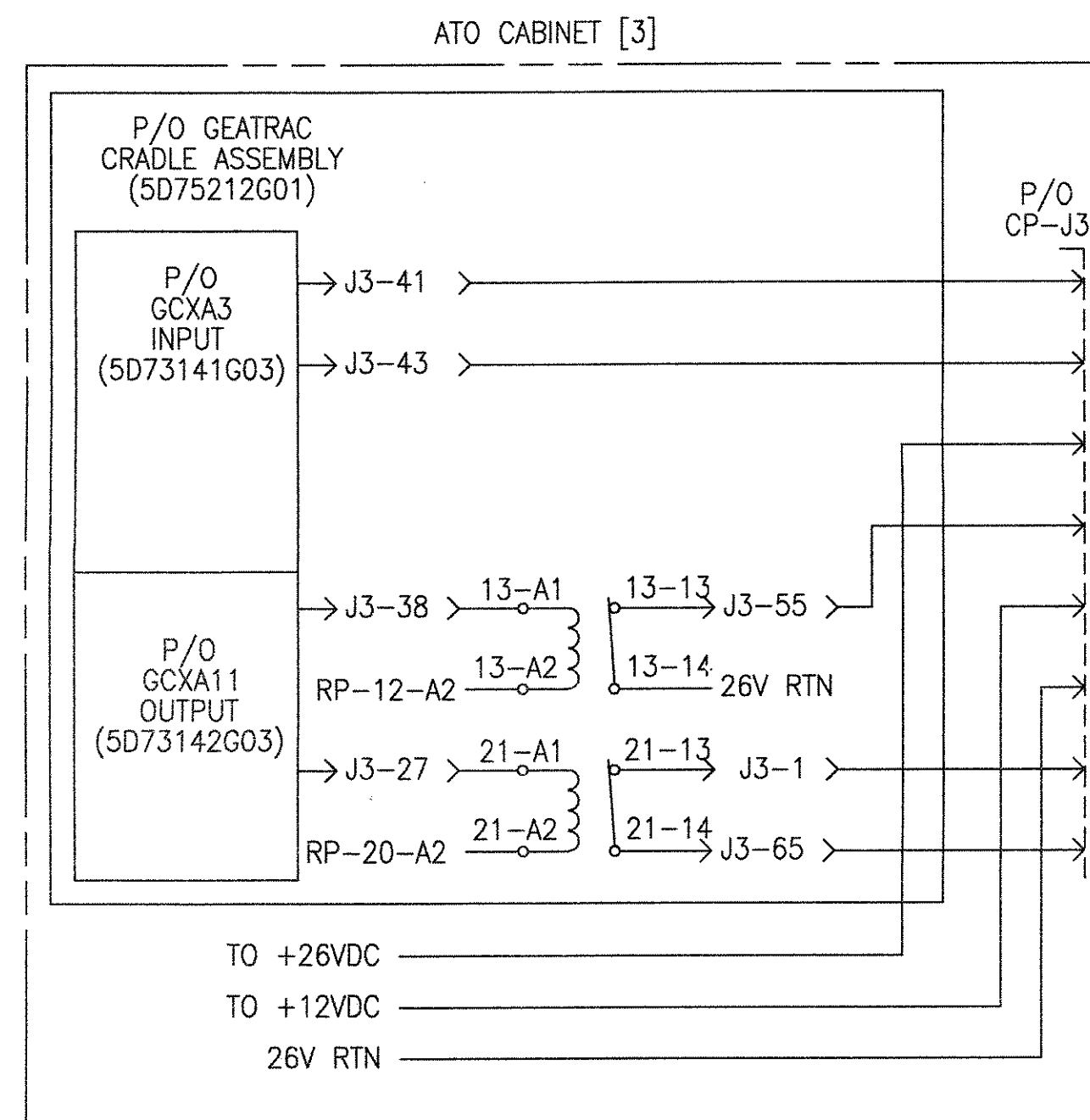
IDENTIFICATION	A AMPS LOAD	B AMPS LOAD	C AMPS LOAD	AMP TRIP CB	POLES	CIR. No.	A B C	CIR. No.	POLES	AMP TRIP CB	A AMPS LOAD	B AMPS LOAD	C AMPS LOAD	IDENTIFICATION
SOUTH GUIDEWAY DOOR A-1-3 [325]	3			15	1	1	●	2	1	15	3			SOUTH GUIDEWAY DOOR B-1-3 [324]
SOUTH GUIDEWAY DOOR A-2-3 [327]		3		15	1	3	●	4	1	15		3		SOUTH GUIDEWAY DOOR B-2-3 [326]
LED GRAPHICS SIGNS RECEPTACLES			4	15	1	5	●	6	1	15			3	SOUTH GUIDEWAY BLUE LIGHTS
CCTV CAMERA	1			15	1	7	●	8	1	15				SPARE
CCTV CAMERA		1		15	1	9	●	10	1	15			2	EMERGENCY DOOR ALARM CKT.
SPARE				15	1	11	●	12	1	15				SPARE
TOTAL AMPS	4	4	4								4	3	5	TOTAL AMPS

"REFERENCE ONLY  
 SEE 5D80993 FOR LATEST"

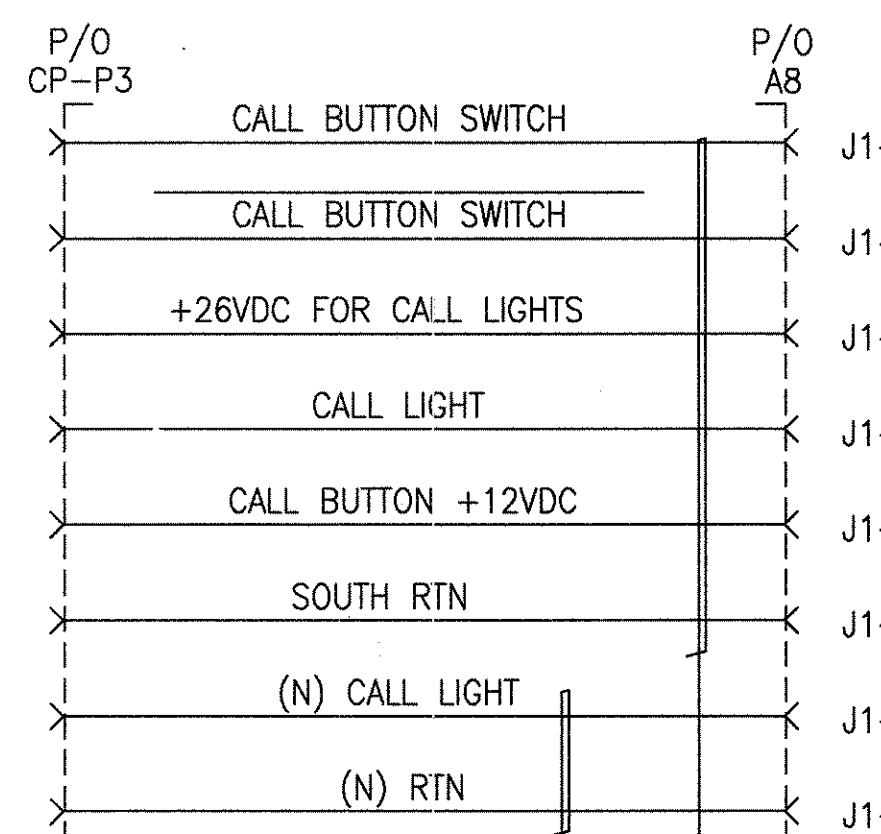
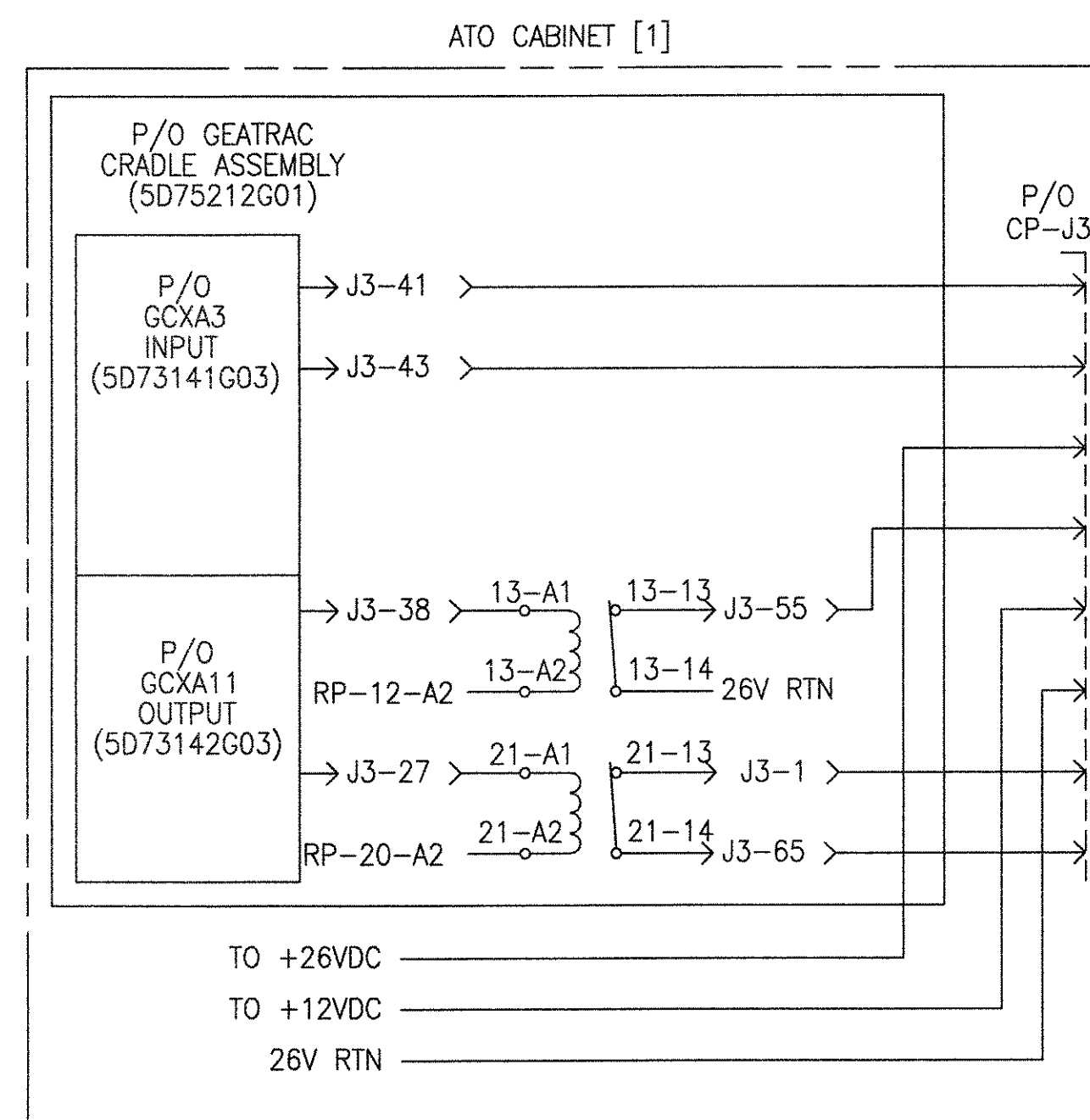
PROPRIETARY INFORMATION - SEE SHEET 1

AutoCAD

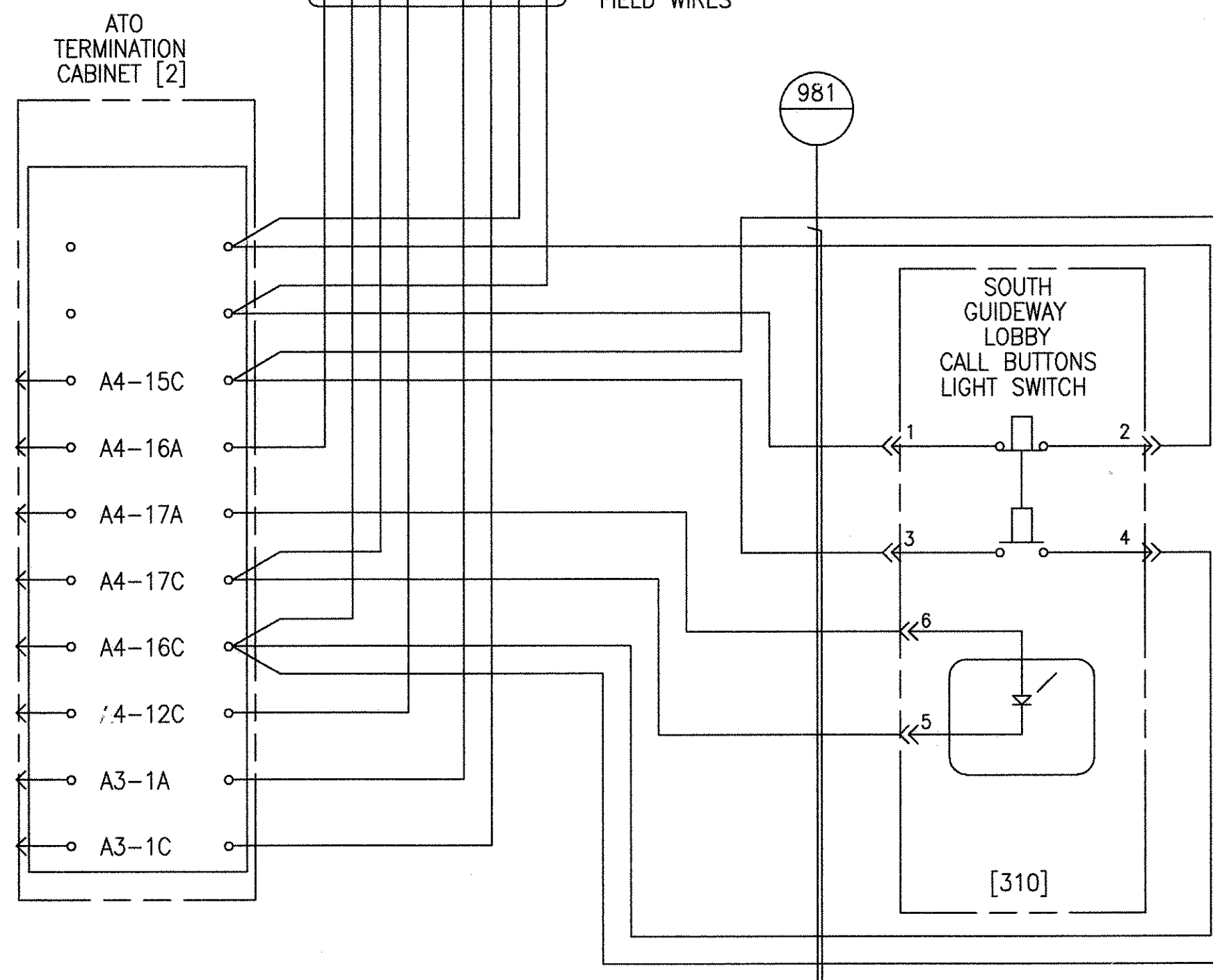
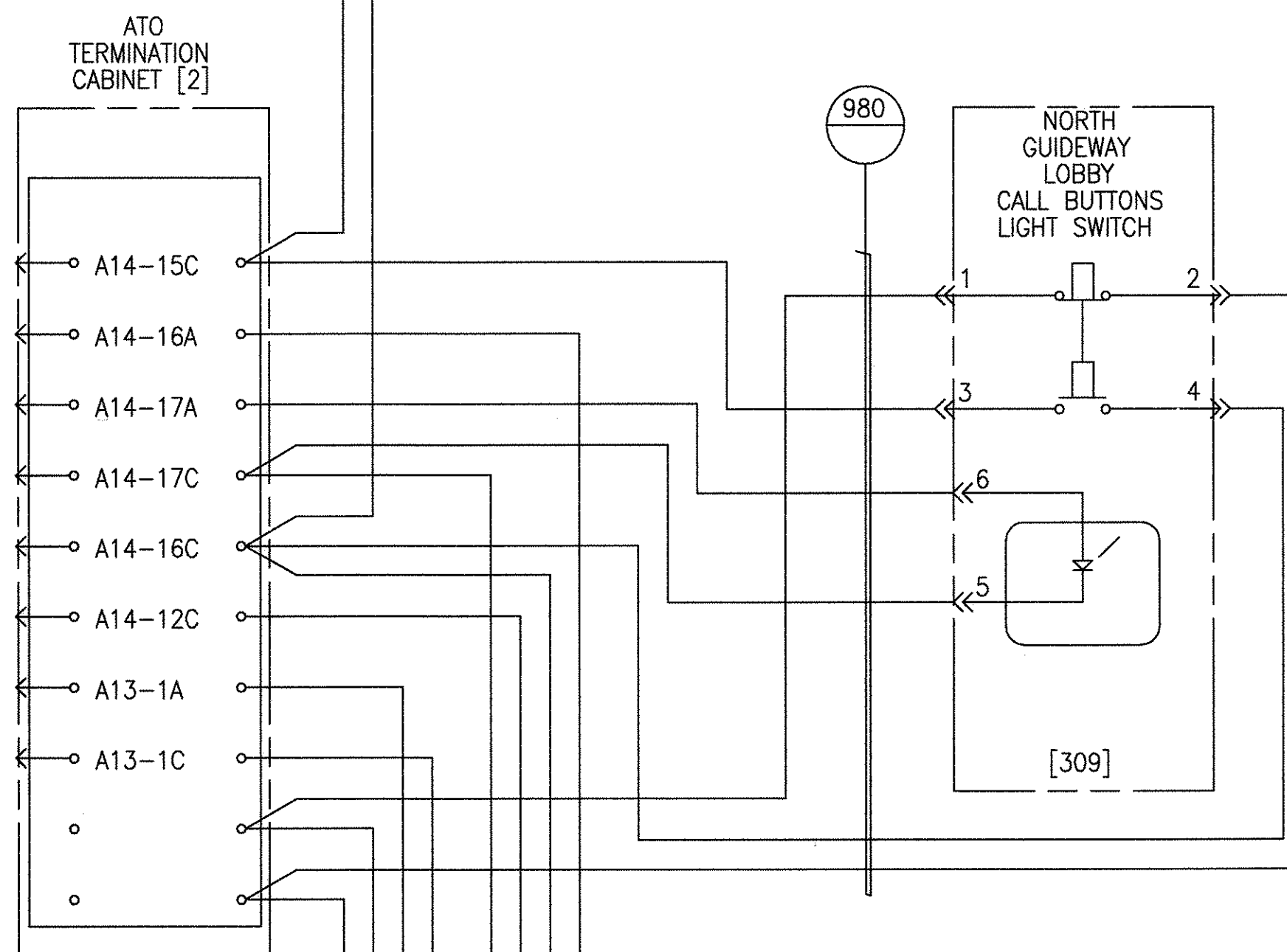
GEOMETRIC CHARACTERISTIC SYMBOLS FLATNESS STRAIGHTNESS ROUNDNESS (CIRCULARITY) CYLINDRICITY PROFILE OF ANY LINE PROFILE OF ANY SURFACE PARALLELISM PERPENDICULARITY (SQUARENESS) ANGULARITY RUNOUT TRUE POSITION CONCENTRICITY SYMMETRY MAXIMUM MATERIAL CONDITION (MMC) REGARDLESS OF FEATURE SIZE	DFTM. J. WERNER CHKR.	DATE 8/21/97	<b>BOMBARDIER</b> TITLE WAYSIDE SYSTEM SCHEMATIC GEORGE BUSH INTERCONTINENTAL AIRPORT-HOUSTON DIMENSIONS IN INCHES DWG. NO. 5D81332 REV. 9 SCALE NONE WT. SHEET 14
	ENGRG. K. RYAN MFG. APPD.	DFTG. SU IV. E. D. WATTY	



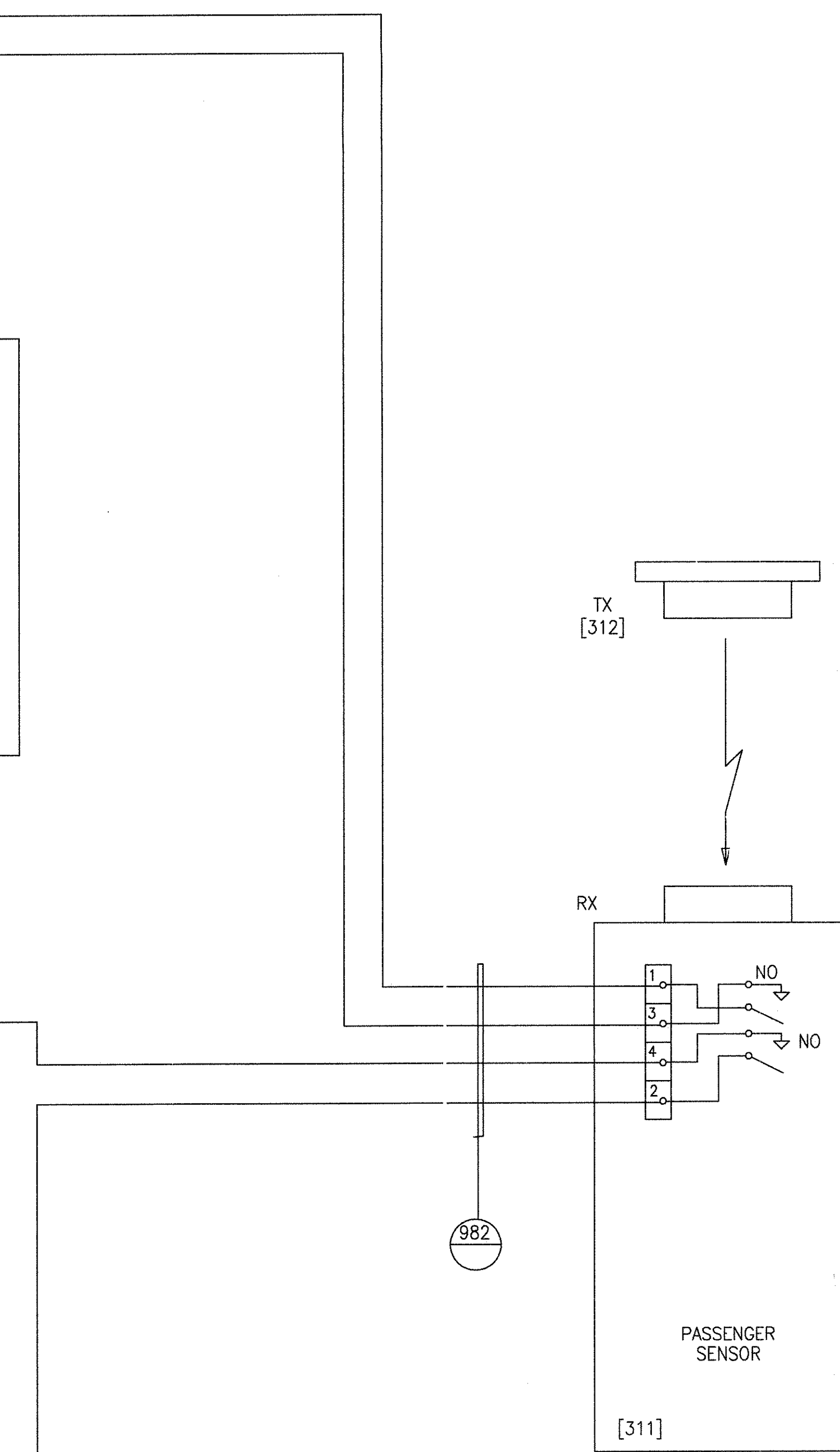
NORTH GUIDEWAY



SOUTH GUIDEWAY



TERMINAL B STATION LOBBY CALL BUTTONS AND PASSENGER SENSING



NOTE:  
TX AND RX MAY BE IN THE SAME UNIT. (UTILIZING ACROSS LOBBY REFLECTOR)

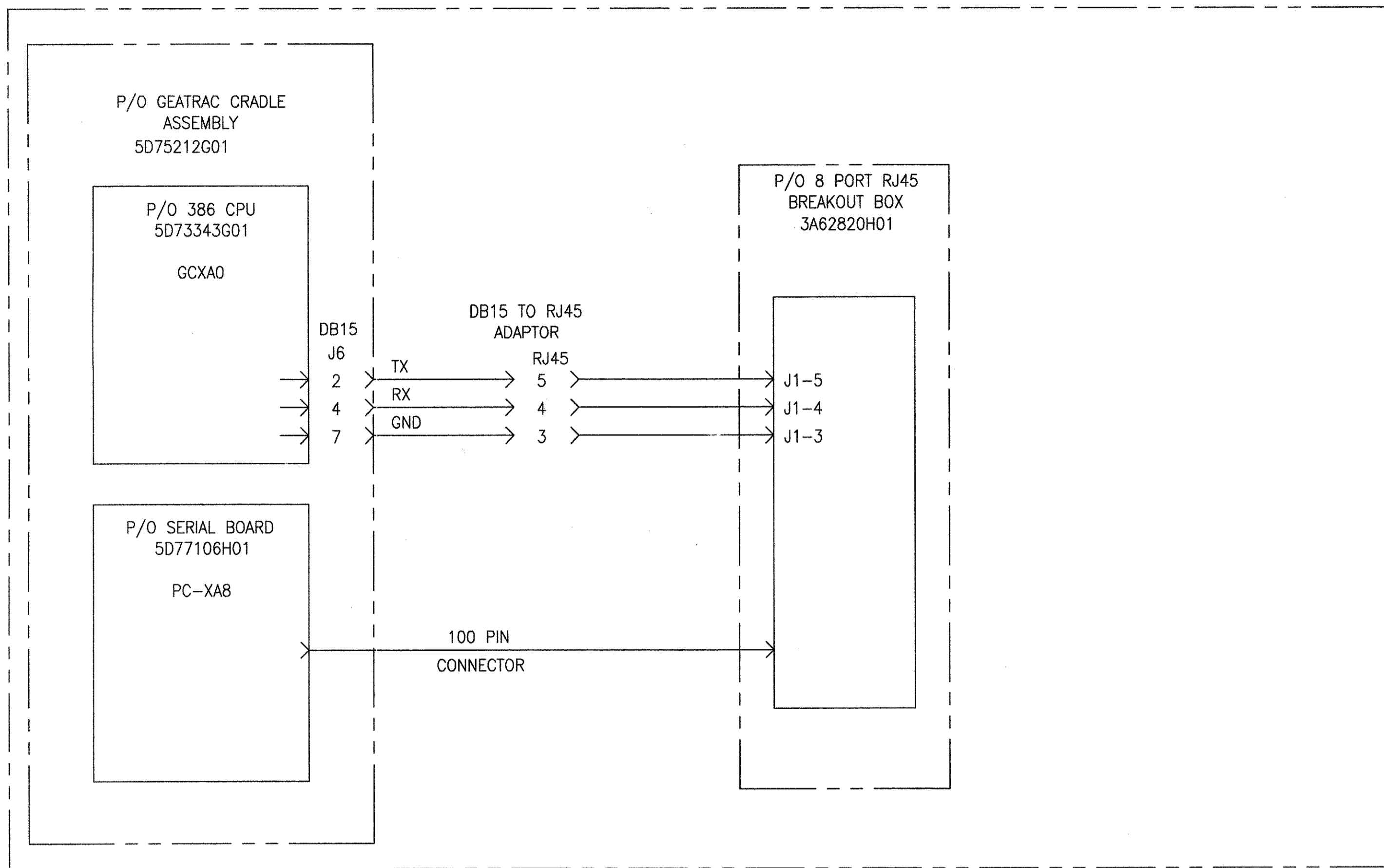
GEOMETRIC CHARACTERISTIC SYMBOLS		DFTM.	DATE	BOMBARDIER
FLATNESS		J. WERNER	8/21/97	
STRAIGHTNESS		CHKR.		
ROUNDNESS (CIRCULARITY)		ENGRG.		
CYLINDRICITY		K. RYAN		
PROFILE OF ANY LINE		MFG.		
PROFILE OF ANY SURFACE		APPD.		
PARALLELISM		DFTG. SU-W.		
PERPENDICULARITY (SQUARENESS)		E.D. WATTY		
ANGULARITY				
RUNOUT				
TRUE POSITION				
CONCENTRICITY				
SYMMETRY				
MAXIMUM MATERIAL CONDITION (MMC)				
REGARDLESS OF FEATURE SIZE				
TITLE				WAYSIDE SYSTEM SCHEMATIC
DIMENSIONS IN INCHES				
SIZE	D	DWG. NO.	5D81332	REV. 9
SCALE	NONE	WT.	SHEET 15	

PROPRIETARY INFORMATION - SEE SHEET 1

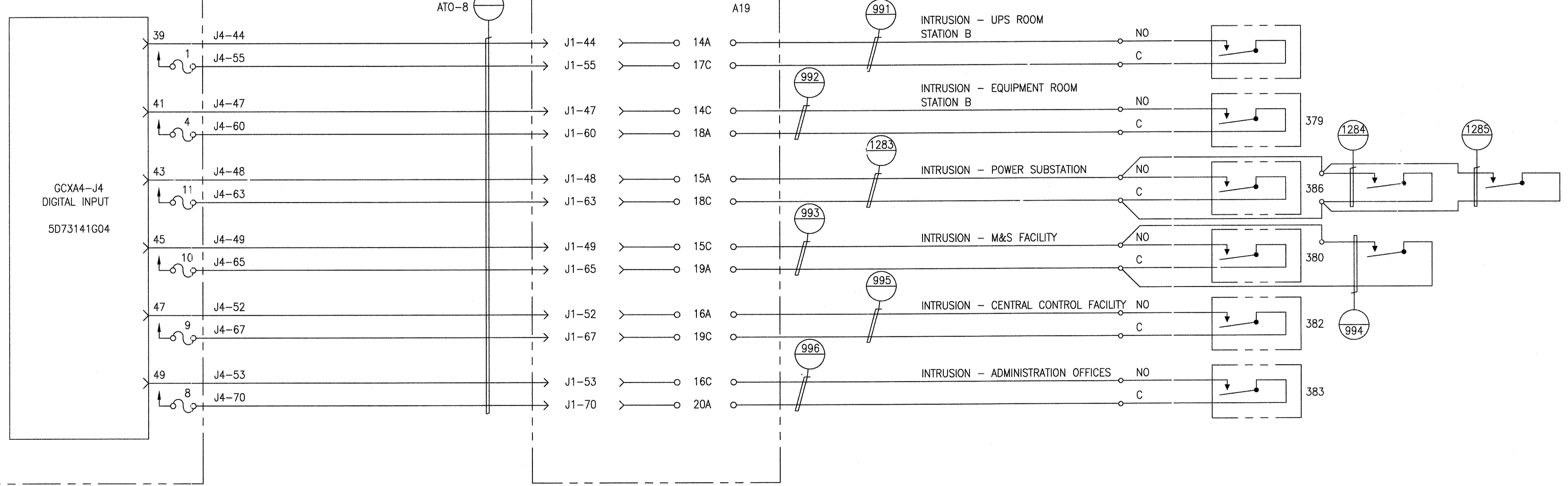
AutoCAD Release 14



NORTH ATO CABINET [3]



ATO TERMINATION CABINET [2]



TERMINAL B STATION  
INTRUSION ALARM INPUTS

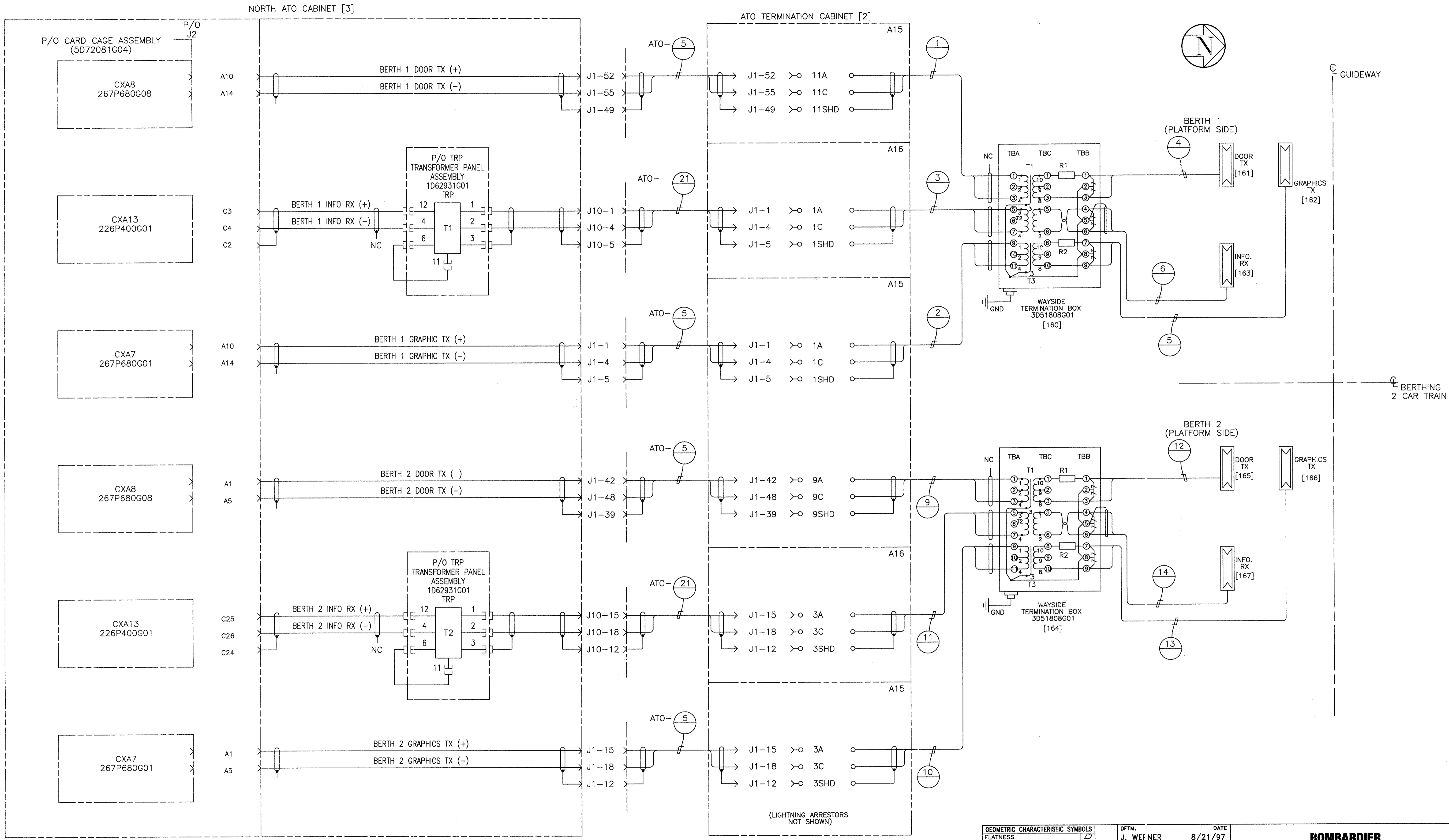
GEOMETRIC CHARACTERISTIC SYMBOLS	
FLATNESS	▭
STRAIGHTNESS	—
ROUNDNESS (CIRCULARITY)	○
CYLINDRICITY	⊘
PROFILE OF ANY LINE	—
PROFILE OF ANY SURFACE	—
PARALLELISM	∥
PERPENDICULARITY (SQUARENESS)	⊥
ANGULARITY	∠
RUNOUT	↻
TRUE POSITION	⊕
CONCENTRICITY	⊙
SYMMETRY	⊞
MAXIMUM MATERIAL CONDITION (MMC)	Ⓜ
REGARDLESS OF FEATURE SIZE	Ⓜ

DFTM.	J. LYNKEY	DATE	11-20-97
CHKR.			
ENGRG.	K. RYAN		
MFG.			
APPD.			
DFTG. SU. V.	E.D. WATTY		

<b>BOMBARDIER</b>			
TITLE WAYSIDE SYSTEM SCHEMATIC			
GEORGE BUSH INTERCONTINENTAL AIRPORT-HOUSTON			
DIMENSIONS IN INCHES			
SIZE	D	DWG. NO.	5D81332
SCALE	NONE	WT.	
SHEET	16	REV.	9

PROPRIETARY INFORMATION - SEE SHEET 1

AutoCAD

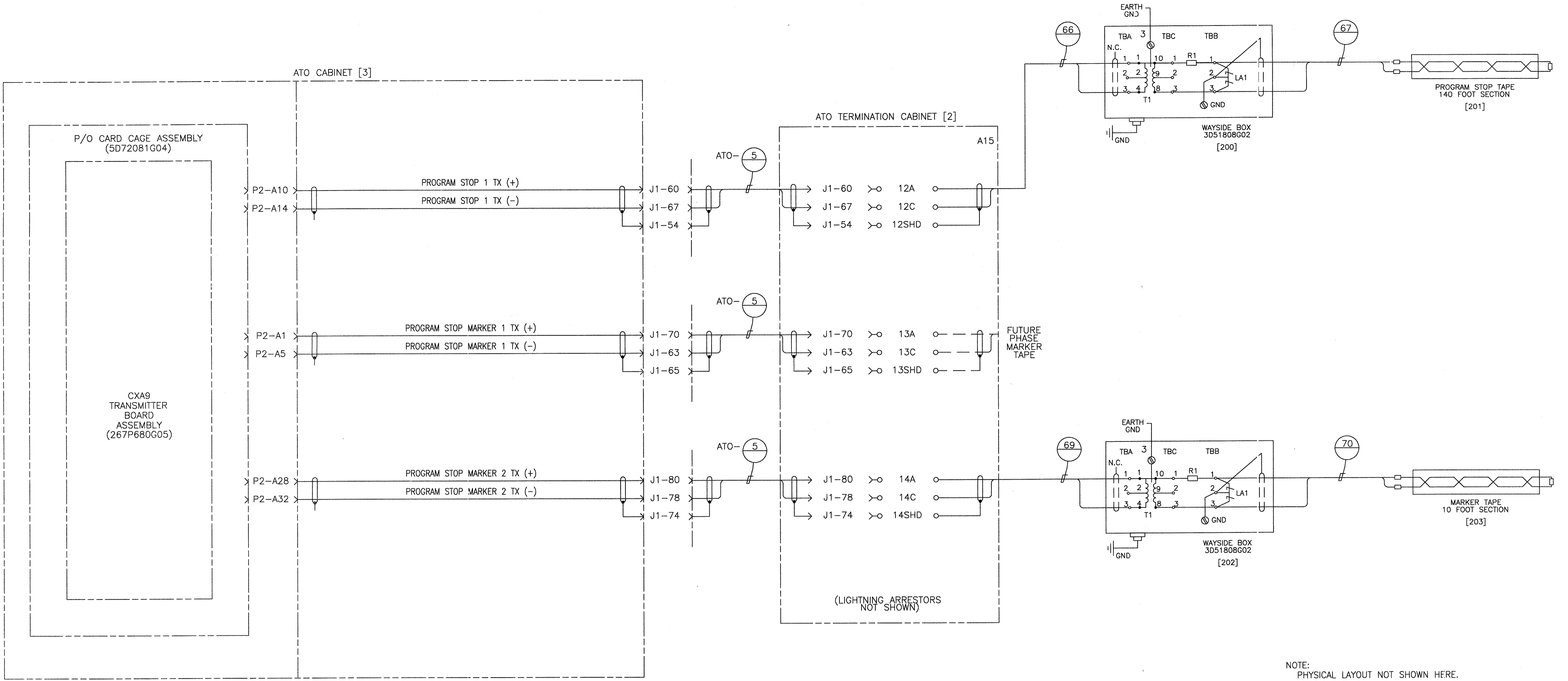


TERMINAL B NORTH STATION  
DOOR, GRAPHICS AND INFORMATION ANTENNA

<b>GEOMETRIC CHARACTERISTIC SYMBOLS</b> FLATNESS $\overline{\text{Z}}$ STRAIGHTNESS $\overline{\text{Z}}$ ROUNDNESS (CIRCULARITY) $\text{O}$ CYLINDRICITY $\text{O}$ PROFILE OF ANY LINE $\overline{\text{Z}}$ PROFILE OF ANY SURFACE $\overline{\text{Z}}$ PARALLELISM $\parallel$ PERPENDICULARITY (SQUARENESS) $\perp$ ANGULARITY $\angle$ RUNOUT $\text{R}$ TRUE POSITION $\Phi$ CONCENTRICITY $\text{C}$ SYMMETRY $\text{S}$ MAXIMUM MATERIAL CONDITION (MMC) $\text{M}$ REGARDLESS OF FEATURE SIZE $\text{RFS}$	DFTM. J. WEFNER ENGRG. K. RYAN MFG. APPD. DFTG. SU-PA. E.D. NATTY	DATE 8/21/97 SHEET 18	<b>BOMBARDIER</b> TITLE WAYSIDE SYSTEM SCHEMATIC GEORGE BUSH INTERCONTINENTAL AIRPORT-HOUSTON DIMENSIONS IN INCHES DWG. NO. 5D81332 REV. 9
	SCALE NONE SHEET 18		

PROPRIETARY INFORMATION - SEE SHEET 1

AutoCAD



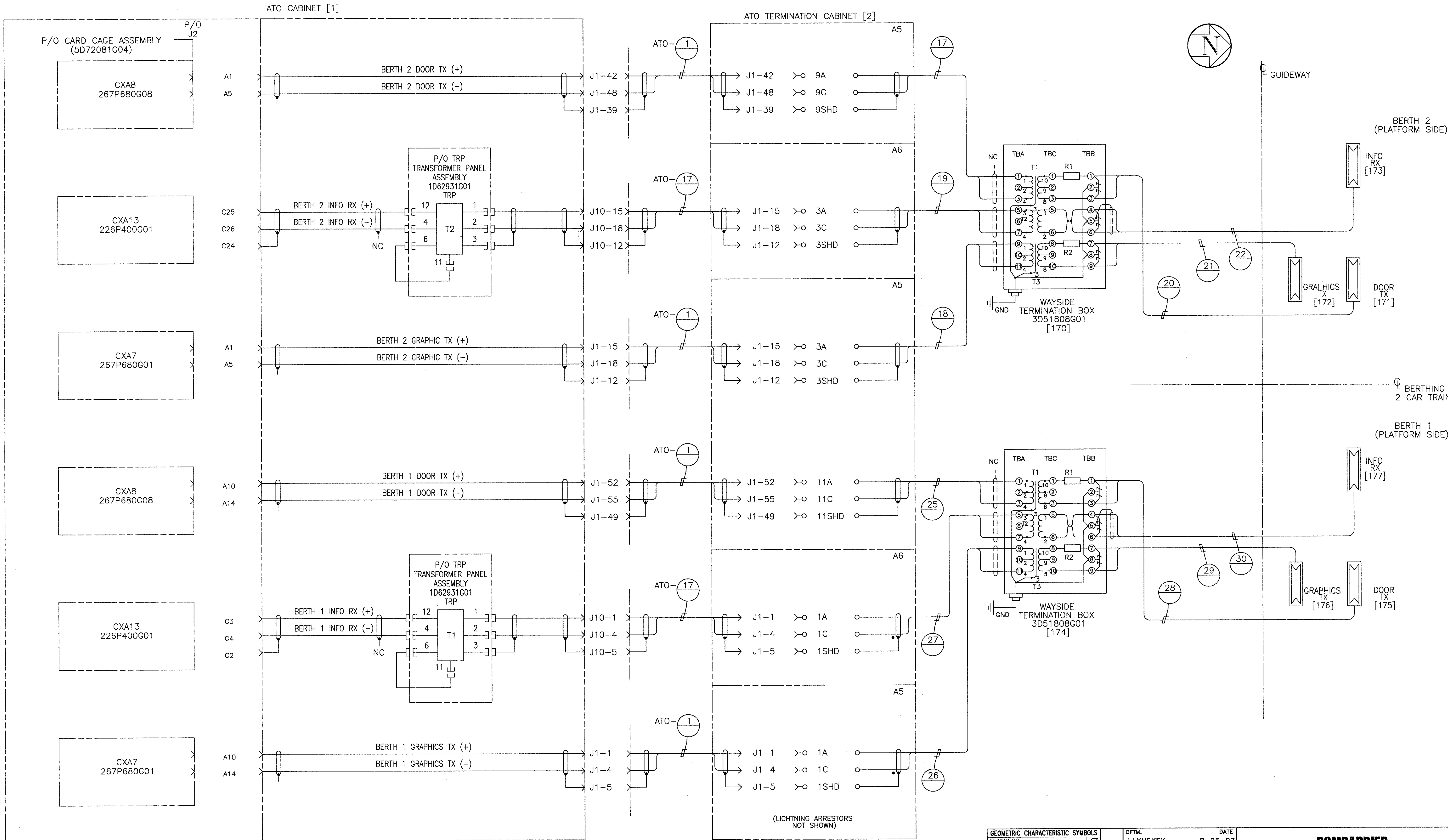
NOTE:  
PHYSICAL LAYOUT NOT SHOWN HERE.

TERMINAL B NORTH STATION  
PROGRAM STOP AND MARKER TAPE INTERFACE

PROPRIETARY INFORMATION - SEE SHEET 1

AutoCAD

<b>GEOMETRIC CHARACTERISTIC SYMBOLS</b> FLATNESS STRAIGHTNESS ROUNDNESS (CIRCULARITY) CYLINDRICITY PROFILE OF ANY LINE PROFILE OF ANY SURFACE PARALLELISM PERPENDICULARITY (SQUARENESS) ANGULARITY RUNOUT TRUE POSITION CONCENTRICITY SYMMETRY MAXIMUM MATERIAL CONDITION (MMC) REGARDLESS OF FEATURE SIZE	DFTM. J. WEINER	DATE 8/21/97	<b>BOMBARDIER</b>  TITLE WAYSIDE SYSTEM SCHEMATIC  GEORGE BUSH INTERCONTINENTAL AIRPORT-HOUSTON  DIMENSIONS IN INCHES SIZE D
	ENGRG. K. RYAN  APPD.	DWG. NO. 5D81332	
REGD. U.S. PAT. & TM. OFF. DES.	DFTG. SUPV. E.D. MATTY	SCALE NONE	SHEET 19



TERMINAL B SOUTH STATION  
DOOR, GRAPHICS AND INFORMATION ANTENNA

(LIGHTNING ARRESTORS NOT SHOWN)

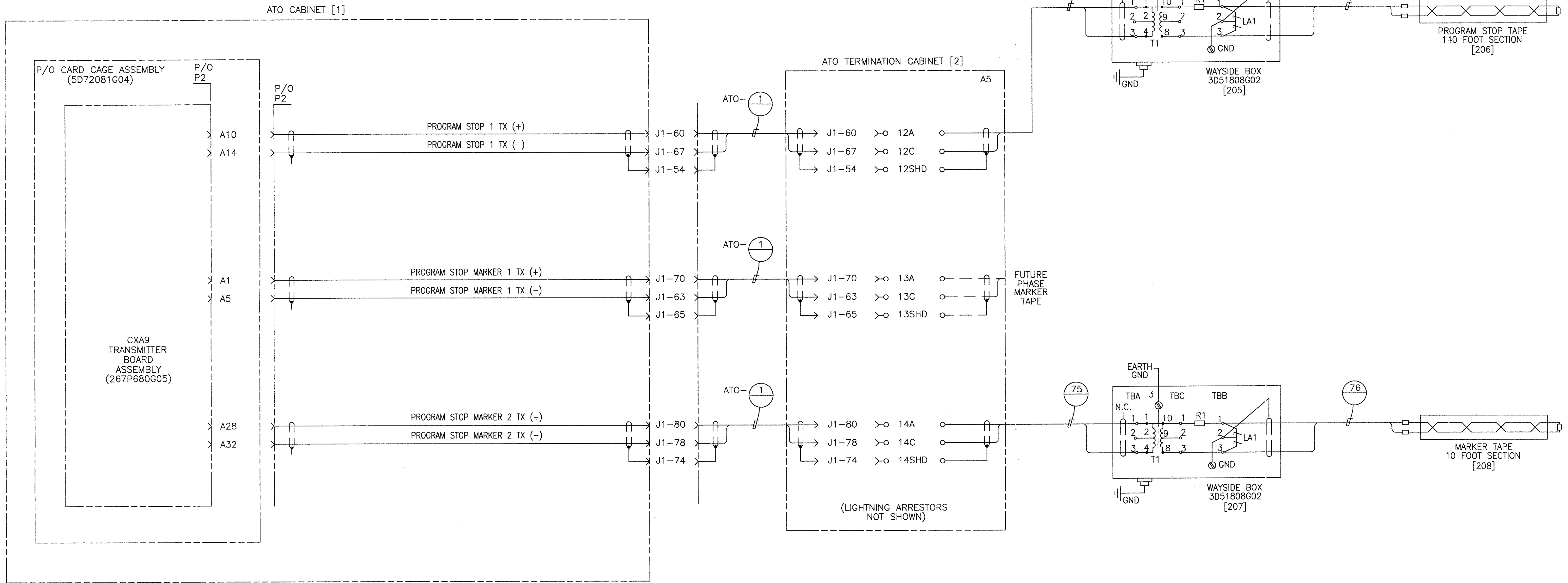
GEOMETRIC CHARACTERISTIC SYMBOLS	
FLATNESS	—
STRAIGHTNESS	—
ROUNDNESS (CIRCULARITY)	○
CYLINDRICITY	○
PROFILE OF ANY LINE	—
PROFILE OF ANY SURFACE	—
PARALLELISM	—
PERPENDICULARITY (SQUARENESS)	—
ANGULARITY	—
RUNOUT	—
TRUE POSITION	—
CONCENTRICITY	—
SYMMETRY	—
MAXIMUM MATERIAL CONDITION (MMC)	—
REGARDLESS OF FEATURE SIZE	—

DFTM.	J. LYNKEY	DATE	8-25-97
CHKR.			
ENGRG.	K. RYAN		
MFG.			
APPD.			
DFTG. SUPV.	E.D. NIATY		

<b>BOMBARDIER</b>	
TITLE WAYSIDE SYSTEM SCHEMATIC	
GEORGE BUSH INTERCONTINENTAL AIRPORT-HOUSTON	
DIMENSIONS IN INCHES	
SIZE	D
DWG. NO.	5D81332
REV.	9
SCALE	NONE
WT.	
SHEET	21

PROPRIETARY INFORMATION - SEE SHEET 1

AutoCAD



NOTE:  
PHYSICAL LAYOUT NOT SHOWN HERE.

### TERMINAL B SOUTH STATION PROGRAM STOP AND MARKER TAPE INTERFACE

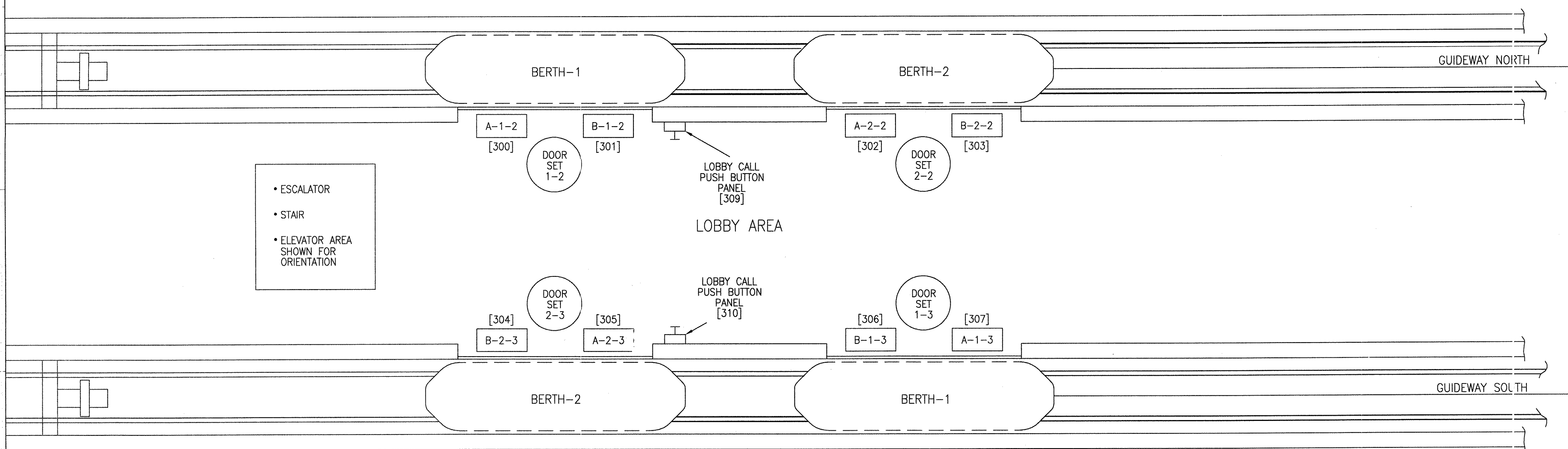
PROPRIETARY INFORMATION - SEE SHEET 1

AutoCAD

GEOMETRIC CHARACTERISTIC SYMBOLS		DFTM.	DATE	BOMBARDIER	
FLATNESS		J.LYNS KEY	8-26-97	TITLE	
STRAIGHTNESS		CHKR.		WAYSIDE SYSTEM SCHEMATIC	
ROUNDNESS (CIRCULARITY)		ENGRG.		GEORGE BUSH INTERCONTINENTAL AIRPORT-HOUSTON	
CYLINDRICITY		MFG.		DIMENSIONS IN INCHES	
PROFILE OF ANY LINE		APPD.		SIZE	DWG. NO.
PROFILE OF ANY SURFACE				D	5D81332
PARALLELISM				SCALE NONE	WT.
PERPENDICULARITY (SQUARENESS)					
ANGULARITY					
RUNOUT					
TRUE POSITION					
CONCENTRICITY					
SYMMETRY					
MAXIMUM MATERIAL CONDITION (MMC)					
REGARDLESS OF FEATURE SIZE					
		DFTG. SU-PL.		REV. 9	
		E.D. MATTY		SHEET 22	

NOTES:

- VEHICLES IN TERMINAL B STATION OCCUPY BERTHS 1 & 2 OF BOTH GUIDEWAYS. BERTH 2 IS FOR FUTURE EXPANSION.
- EACH LOBBY AREA SIDE HAS ONE SET OF DOOR CONTROLLERS. THERE ARE TWO DOOR OPERATORS PER DOOR SET, IDENTIFIED AS DOOR OPERATOR "A" AND DOOR OPERATOR "B". WHEN FACING A VEHICLE SIDE IN ANY OF THE STATION LOBBIES, DOOR OPERATOR "A" IS ALWAYS ON THE LEFT SIDE AND DOOR OPERATOR "B" IS ALWAYS ON THE RIGHT SIDE OF EACH VEHICLE.
- PHASE 1A-BUFFERS SHOWN FOR ORIENTATION ONLY.



TERMINAL B STATION DOOR CONTROLLER IDENTIFICATION ASSIGNMENTS

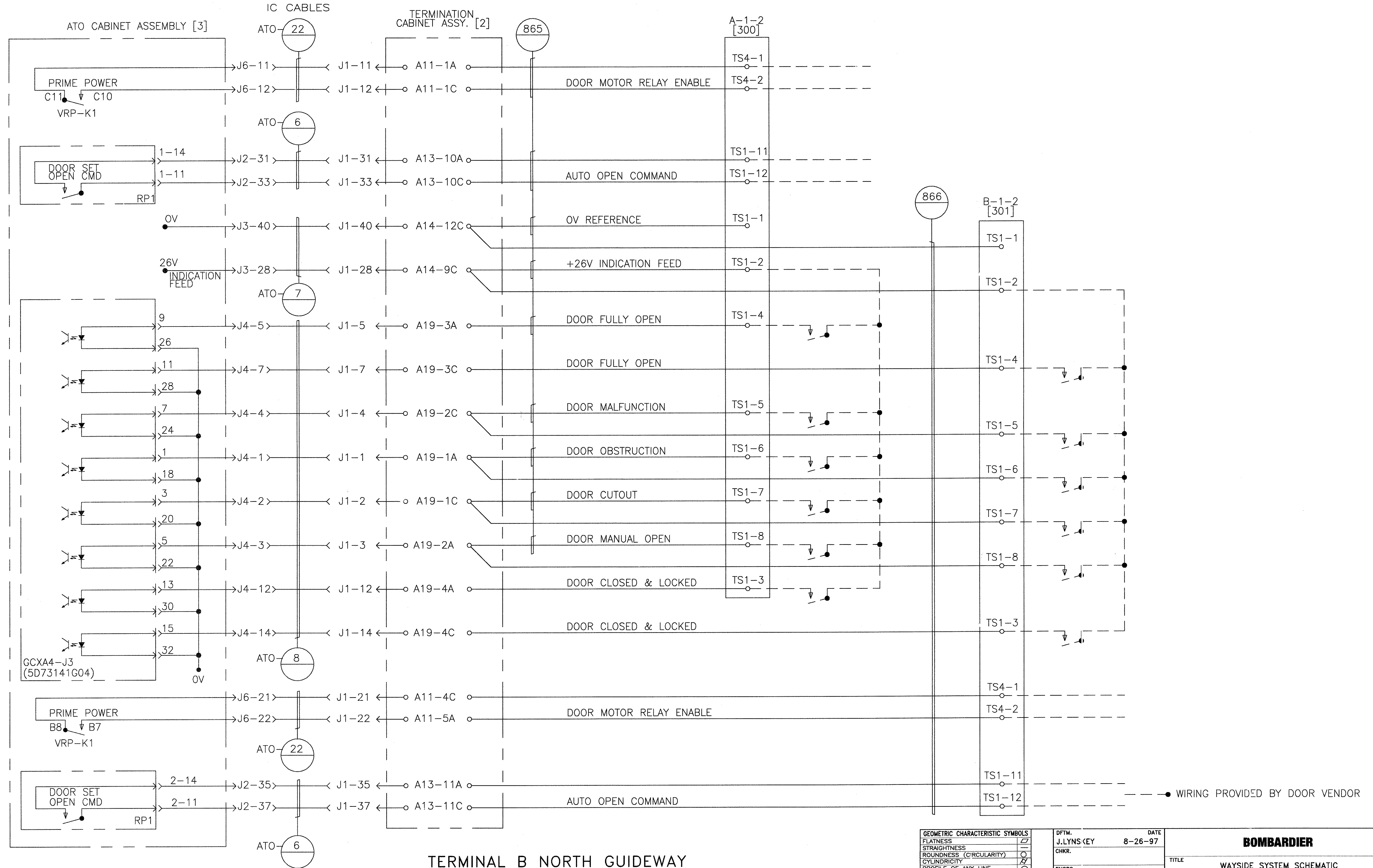
PROPRIETARY INFORMATION - SEE SHEET 1

AutoCAD

GEOMETRIC CHARACTERISTIC SYMBOLS	
FLATNESS	□
STRAIGHTNESS	—
ROUNDNESS (CIRCULARITY)	○
CYLINDRICITY	∕
PROFILE OF ANY LINE	∧
PROFILE OF ANY SURFACE	∧
PARALLELISM	∥
PERPENDICULARITY (SQUARENESS)	⊥
ANGULARITY	∠
RUNOUT	↗
TRUE POSITION	⊕
CONCENTRICITY	⊙
SYMMETRY	≡
MAXIMUM MATERIAL CONDITION (MMC)	Ⓜ
REGARDLESS OF FEATURE SIZE	Ⓢ

DFTM.	J.LYNSKEY	DATE	8-25-97
CHKR.			
ENGRG.	K. RYAN		
MFG.			
APPD.			
DFTG. SU-V.	E.D. WATTY		

<b>BOMBARDIER</b>	
TITLE WAYSIDE SYSTEM SCHEMATIC	
GEORGE BUSH INTERCONTINENTAL AIRPORT-HOUSTON	
DIMENSIONS IN INCHES	
SIZE D	DWG. NO. 5D81332
SCALE NONE	WT.
SHEET 23	REV. 9



TERMINAL B NORTH GUIDEWAY  
STATION DOOR INTERFACE  
BERTH 1 DOOR SET 1-2

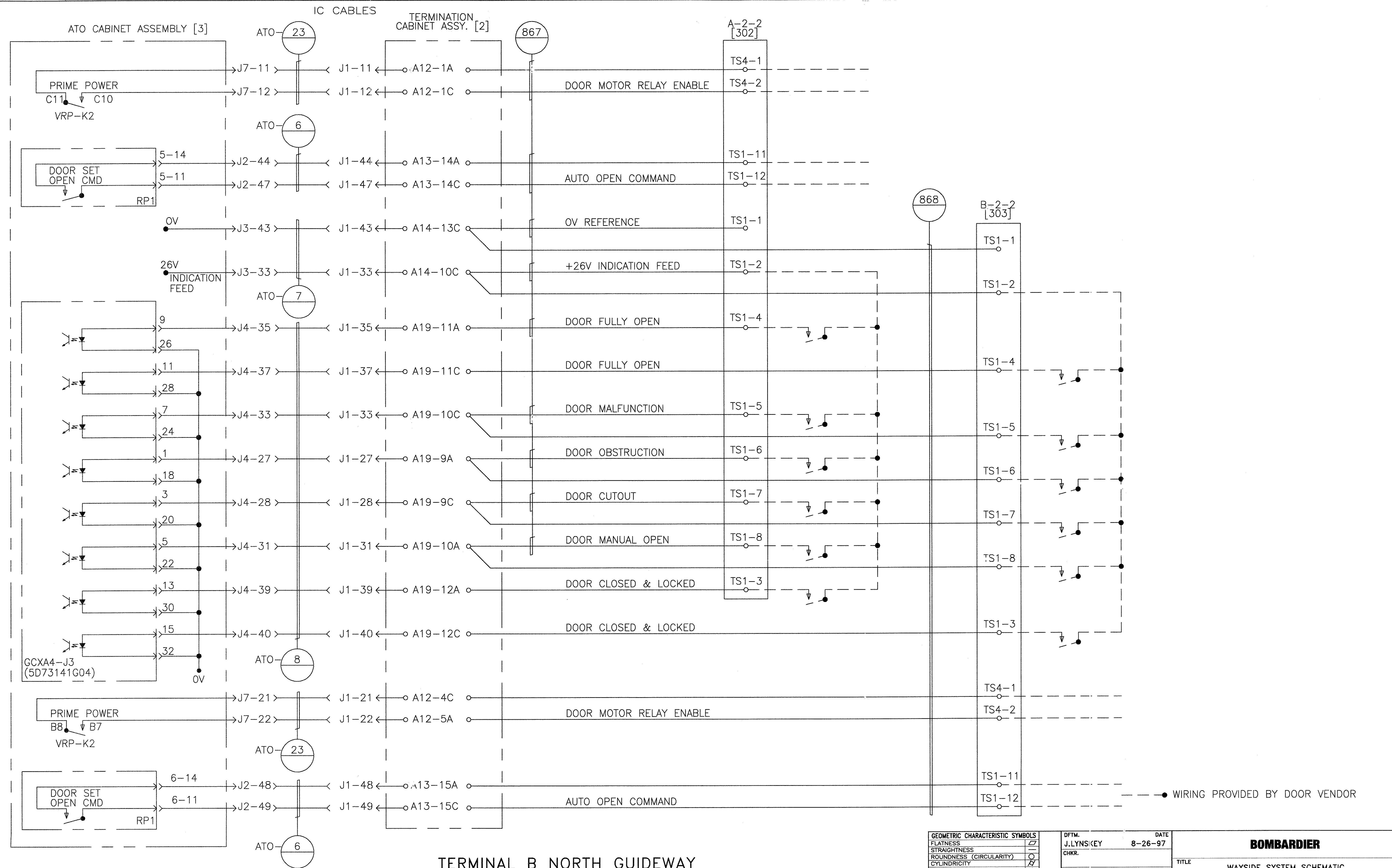
GEOMETRIC CHARACTERISTIC SYMBOLS	
FLATNESS	▭
STRAIGHTNESS	—
ROUNDNESS (CIRCULARITY)	○
CYLINDRICITY	∅
PROFILE OF ANY LINE	—
PROFILE OF ANY SURFACE	—
PARALLELISM	∥
PERPENDICULARITY (SQUARENESS)	⊥
ANGULARITY	∠
RUNOUT	⊕
TRUE POSITION	⊕
CONCENTRICITY	⊕
SYMMETRY	⊕
MAXIMUM MATERIAL CONDITION (MMC)	Ⓜ
REGARDLESS OF FEATURE SIZE	Ⓜ

DFTM. J. LYNSEY	DATE 8-26-97
CHKR.	
ENGRG. K. RYAN	
MFG.	
APPD.	
DFTG. SU. V. E. D. WATTY	

<b>BOMBARDIER</b>	
TITLE WAYSIDE SYSTEM SCHEMATIC	
GEORGE BUSH INTERCONTINENTAL AIRPORT-HOUSTON	
DIMENSIONS IN INCHES	
SIZE D	DWG. NO. 5D81332
SCALE NONE	WT. SHEET 24
REV. 9	

PROPRIETARY INFORMATION - SEE SHEET 1

AutoCAD



---● WIRING PROVIDED BY DOOR VENDOR

TERMINAL B NORTH GUIDEWAY  
STATION DOOR INTERFACE  
BERTH 2 DOOR SET 2-2

GEOMETRIC CHARACTERISTIC SYMBOLS	
FLATNESS	▭
STRAIGHTNESS	—
ROUNDNESS (CIRCULARITY)	○
CYLINDRICITY	○
PROFILE OF ANY LINE	—
PROFILE OF ANY SURFACE	—
PARALLELISM	∥
PERPENDICULARITY (SQUARENESS)	⊥
ANGULARITY	∠
ROUNDOUT	○
TRUE POSITION	⊕
CONCENTRICITY	⊕
SYMMETRY	⊕
MAXIMUM MATERIAL CONDITION (MMC)	Ⓜ
REGARDLESS OF FEATURE SIZE	Ⓜ

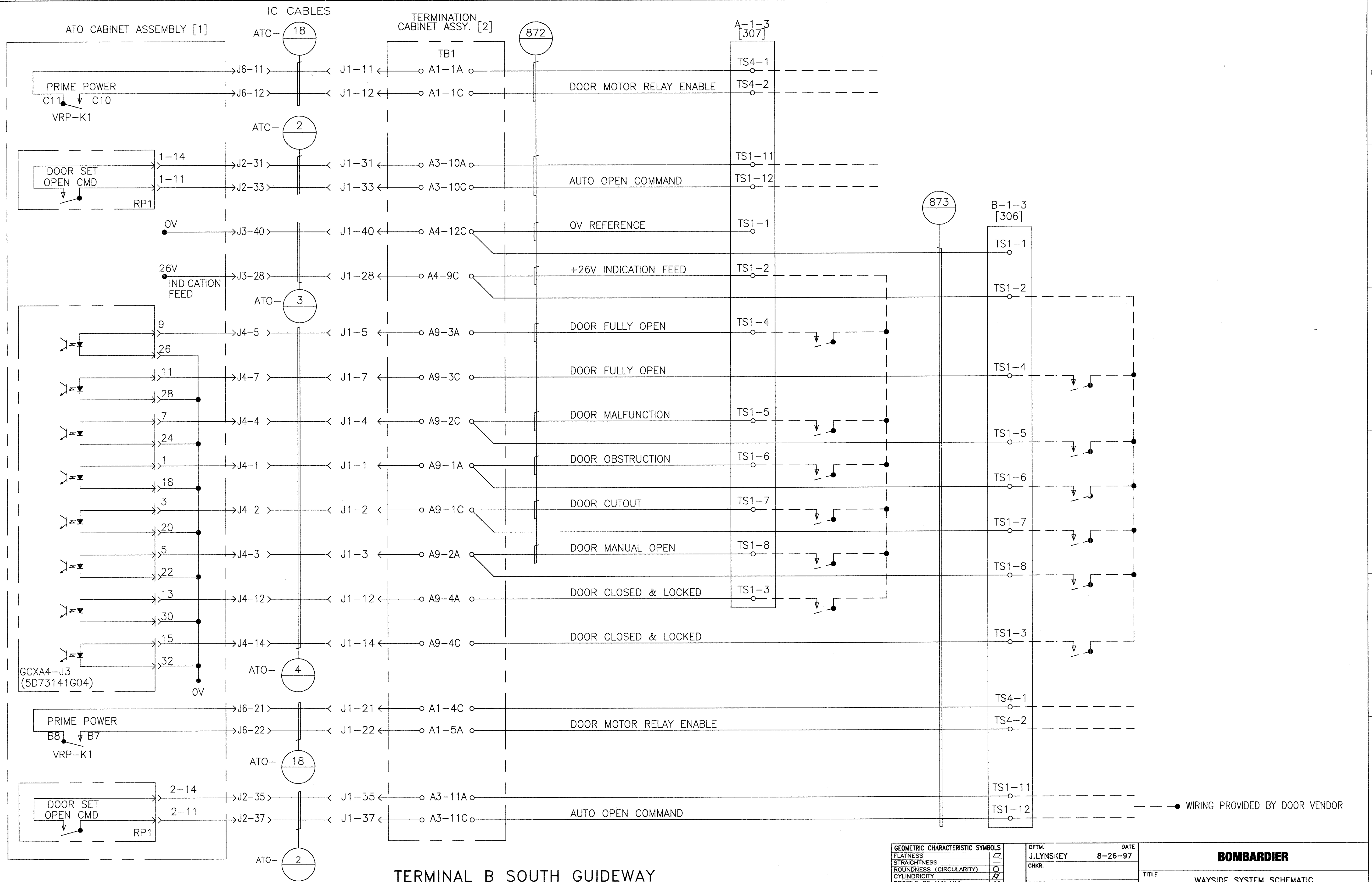
DFTM. J. LYNSEY	DATE 8-26-97
CHKR.	
ENGRG. K. RYAN	
MFG.	
APPD.	
DFTG. SU. W. E. D. WATTY	

<b>BOMBARDIER</b>	
TITLE WAYSIDE SYSTEM SCHEMATIC	
GEORGE BUSH INTERCONTINENTAL AIRPORT-HOUSTON	
DIMENSIONS IN INCHES	
SIZE D	DWG. NO. 5D81332
SCALE NONE	WT.
SHEET 25	REV. 9

PROPRIETARY INFORMATION - SEE SHEET 1

AutoCAD



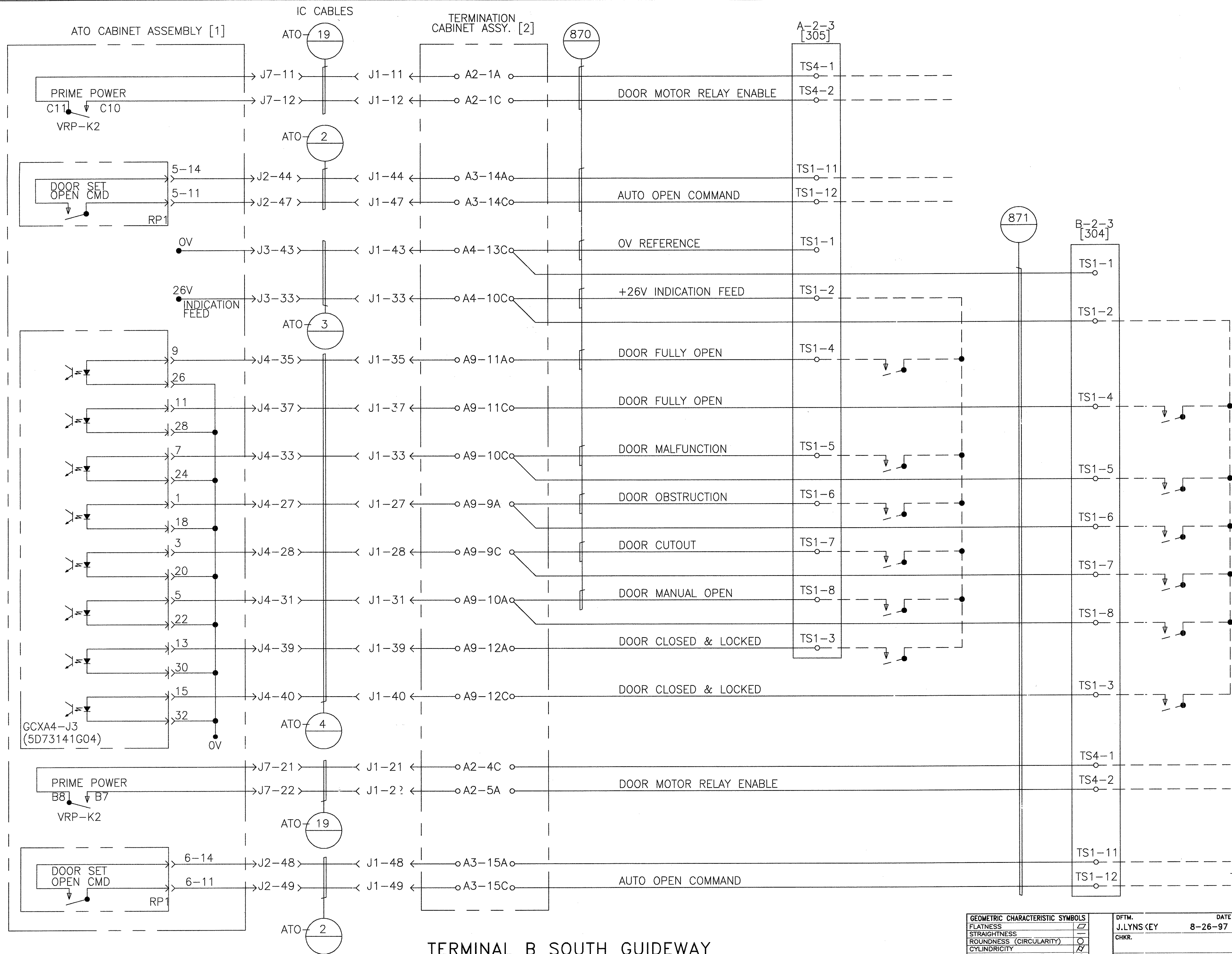


**TERMINAL B SOUTH GUIDEWAY  
STATION DOOR INTERFACE  
BERTH 1 DOOR SET 1-3**

GEOMETRIC CHARACTERISTIC SYMBOLS		DFTM. J.LYNS KEY DATE 8-26-97		BOMBARDIER	
FLATNESS	▭	CHKR.		TITLE	
STRAIGHTNESS	▭	ENGRG.	K. RYAN	WAYSIDE SYSTEM SCHEMATIC	
ROUNDNESS (CIRCULARITY)	⊘	MFG.		GEORGE BUSH INTERCONTINENTAL AIRPORT-HOUSTON	
CYLINDRICITY	⊘	APPD.		DIMENSIONS IN INCHES	
PROFILE OF ANY LINE	⊘	DFTG. SU W. E.D. WATTY		SIZE D	DWG. NO. 5D81332
PROFILE OF ANY SURFACE	⊘			SCALE NONE	REV. 9
PARALLELISM	∥			WT.	SHEET 26
PERPENDICULARITY (SQUARENESS)	⊥				
ANGULARITY	∠				
RUNOUT	⊘				
TRUE POSITION	⊘				
CONCENTRICITY	⊘				
SYMMETRY	⊘				
MAXIMUM MATERIAL CONDITION (MMC)	⊘				
REGARDLESS OF FEATURE SIZE	⊘				

PROPRIETARY INFORMATION - SEE SHEET 1

AutoCAD



● WIRING PROVIDED BY DOOR VENDOR

TERMINAL B SOUTH GUIDEWAY  
STATION DOOR INTERFACE  
BERTH 2 DOOR SET 2-3

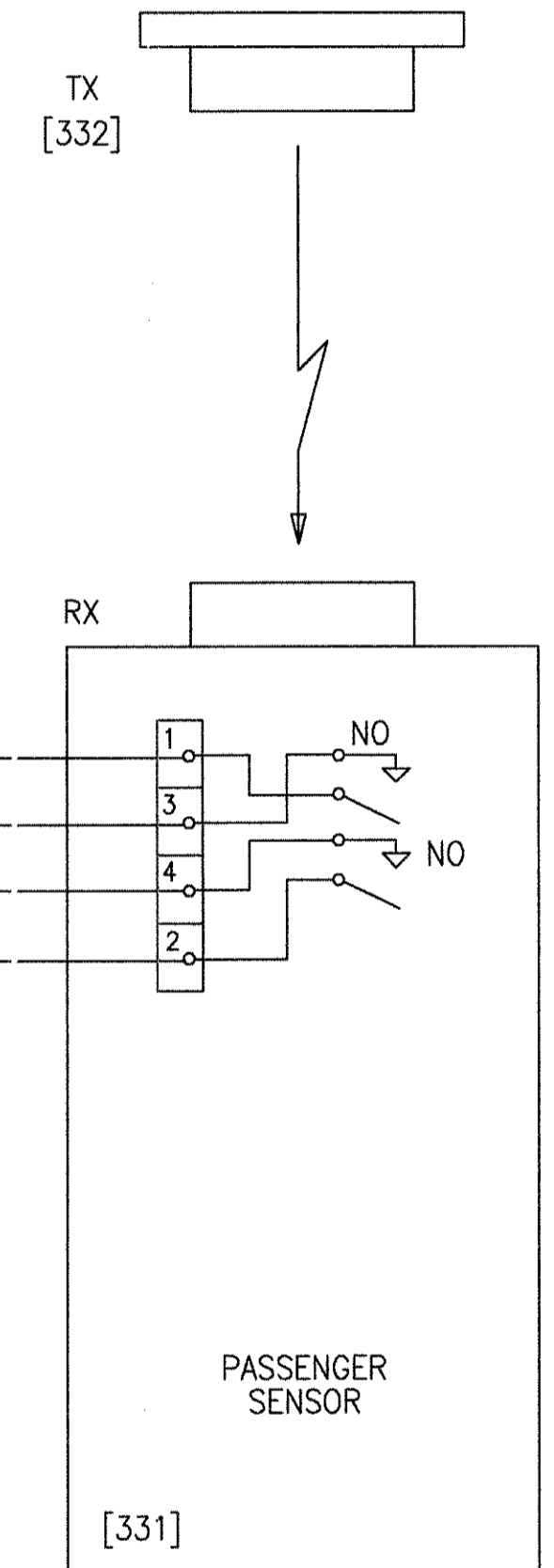
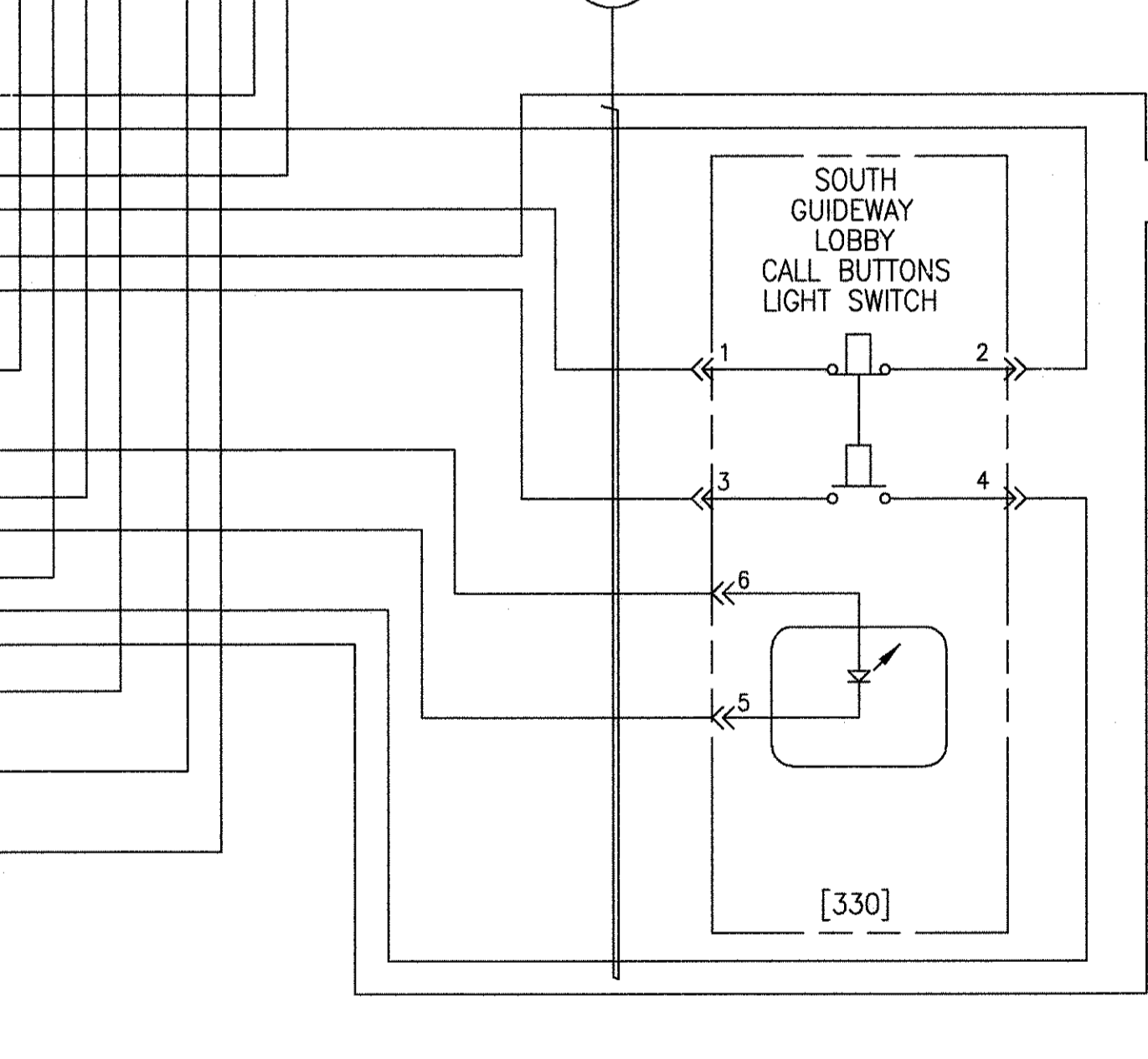
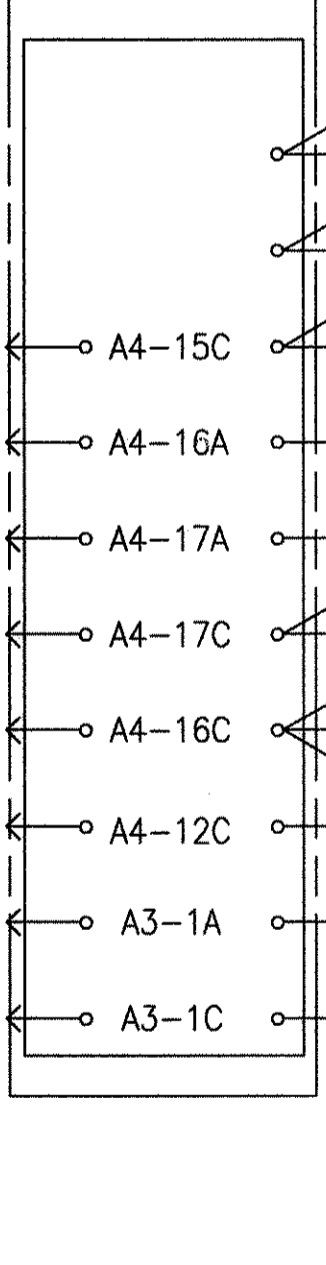
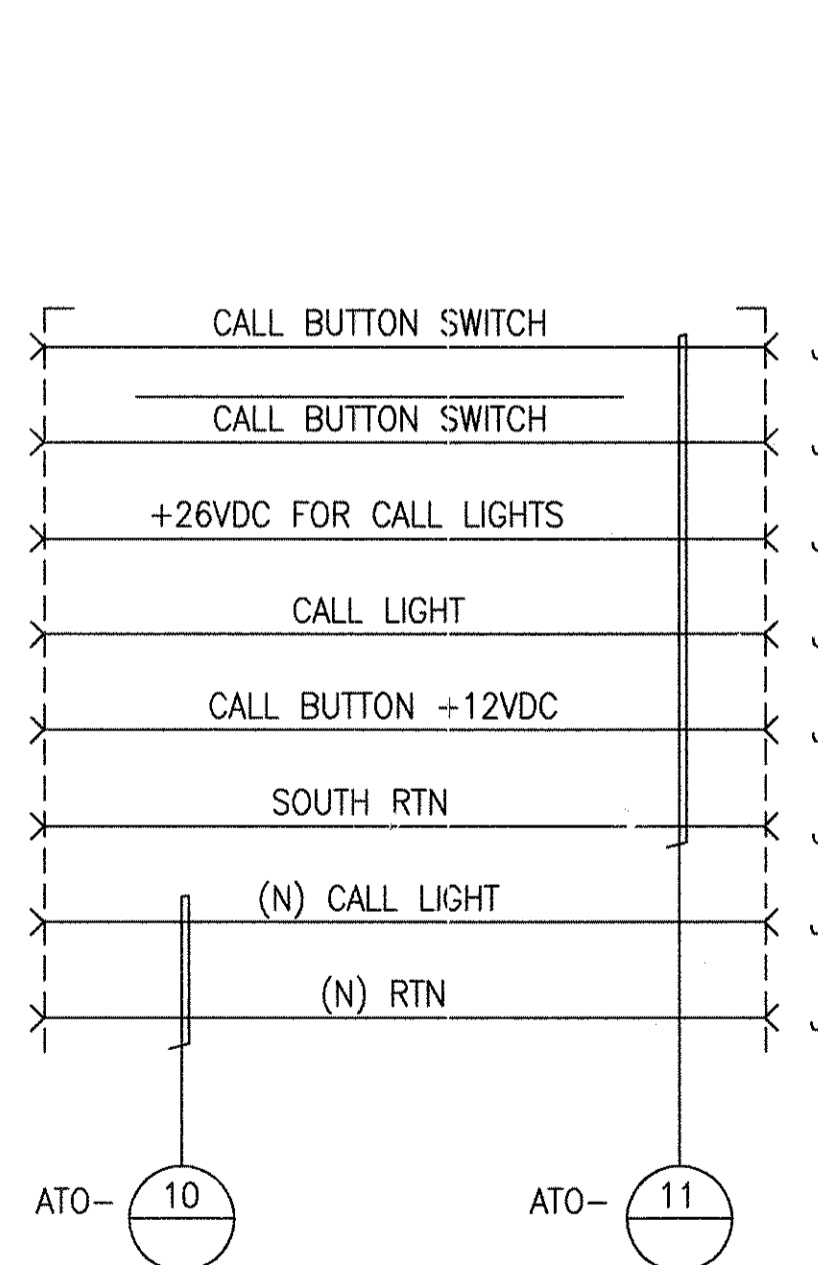
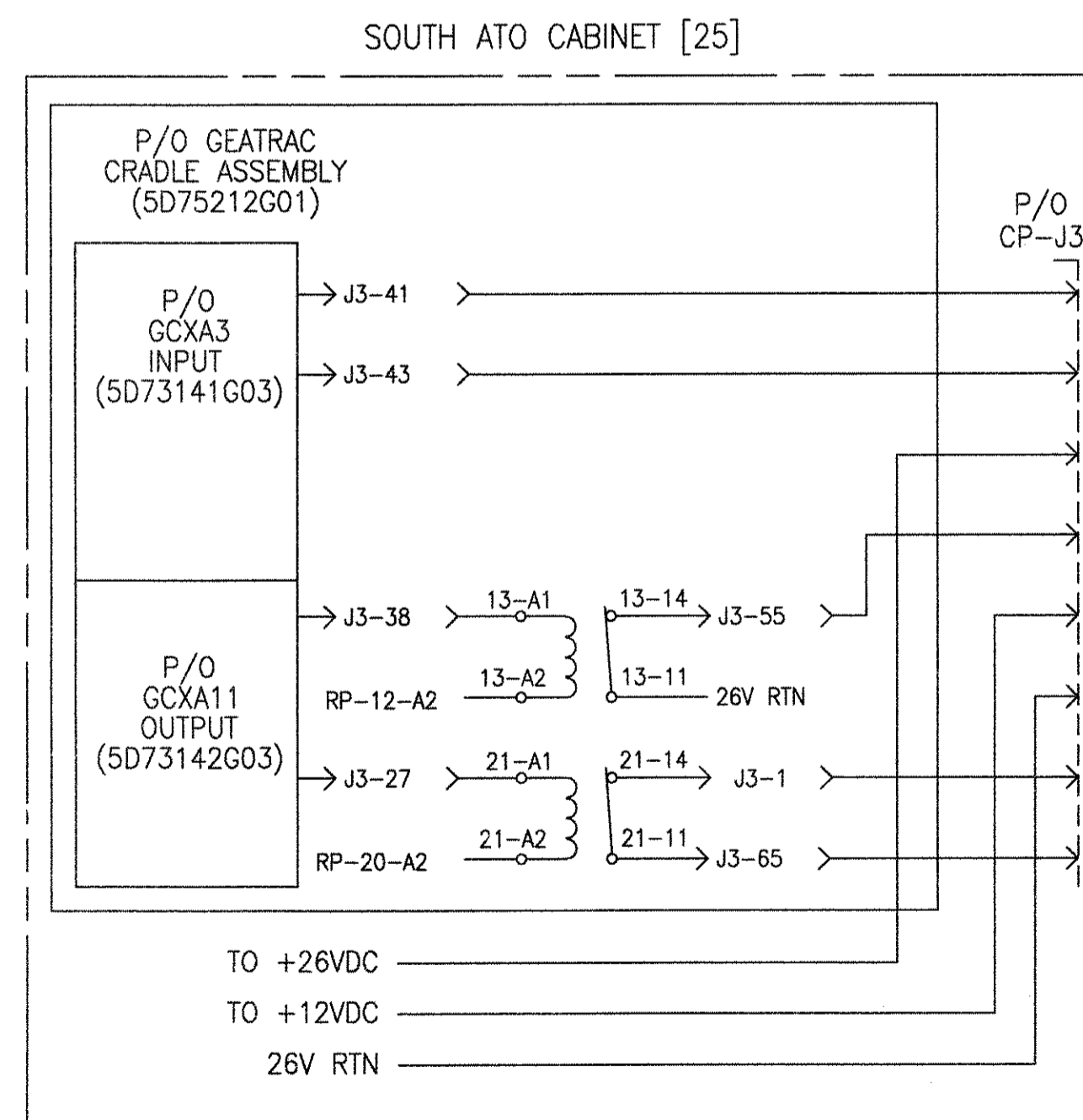
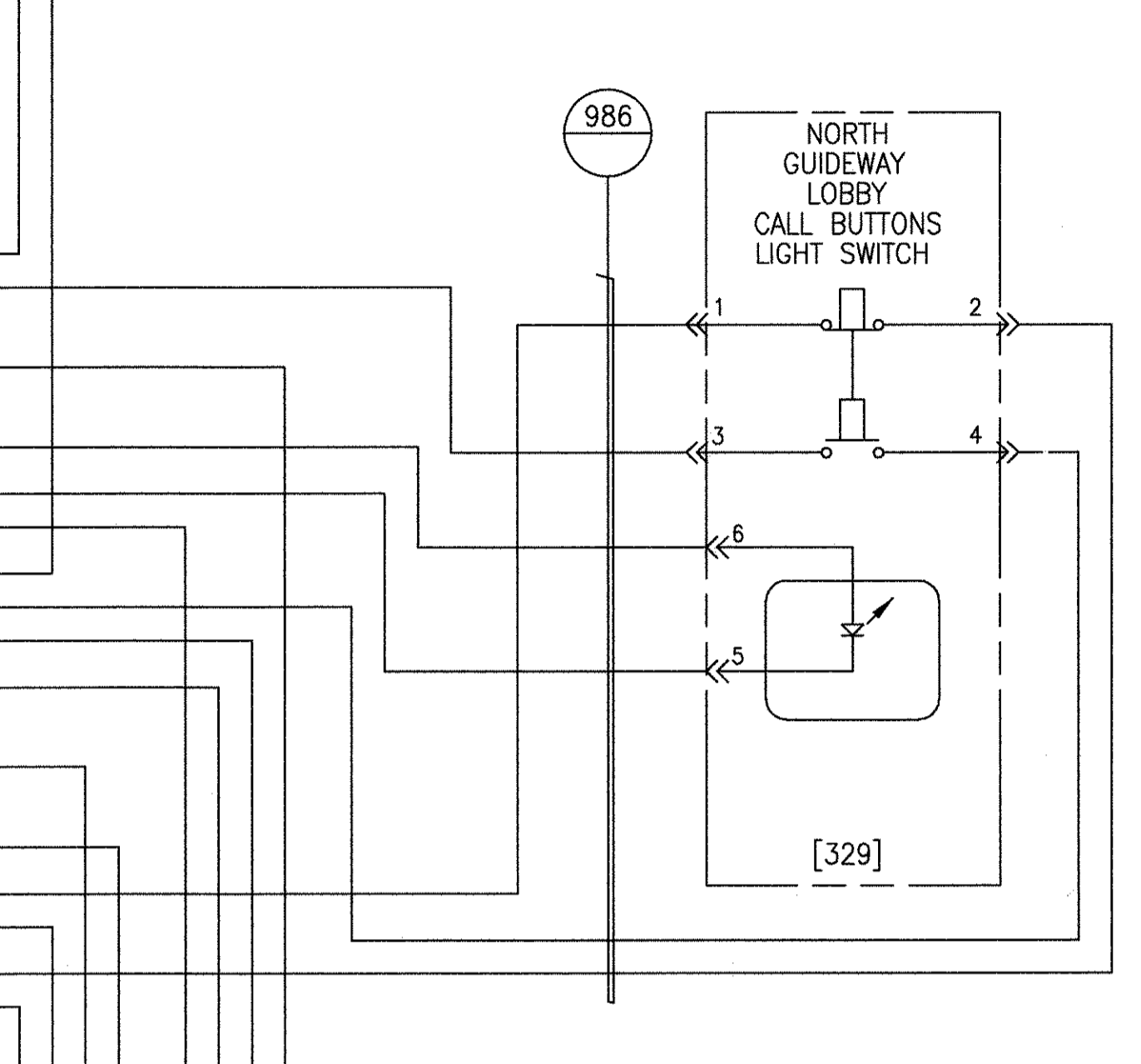
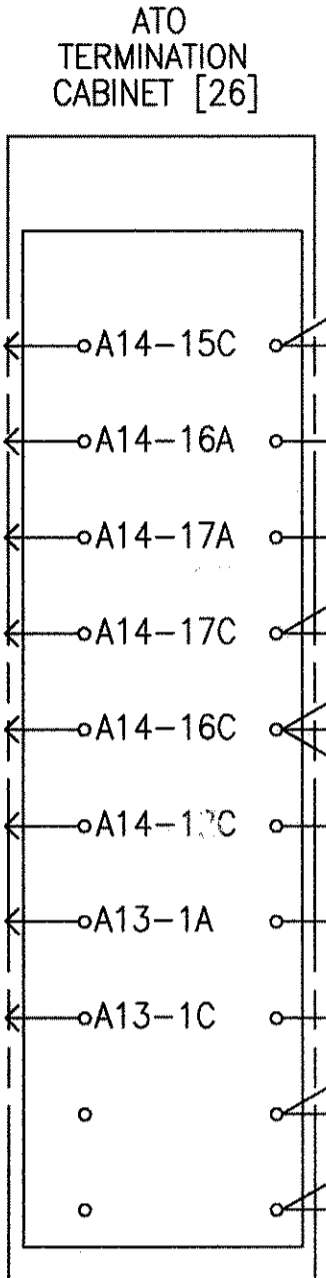
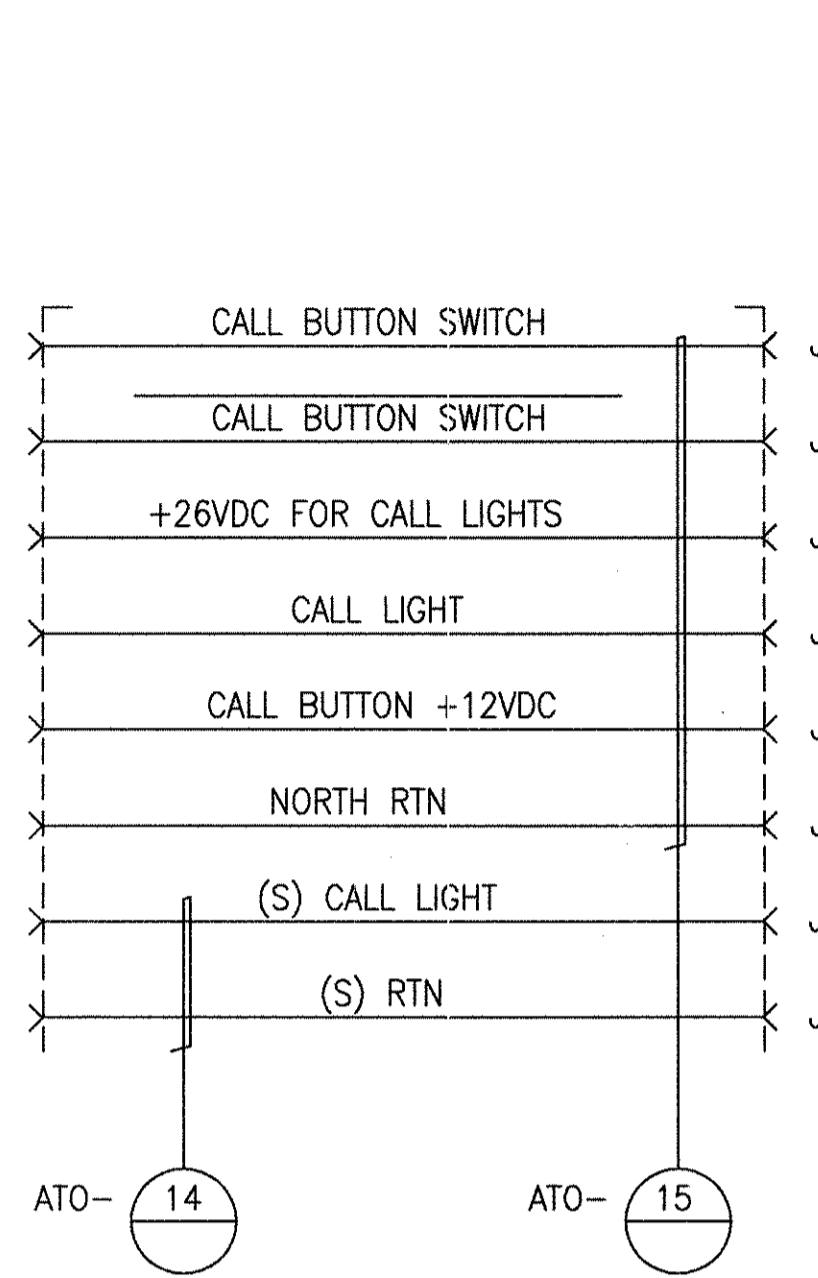
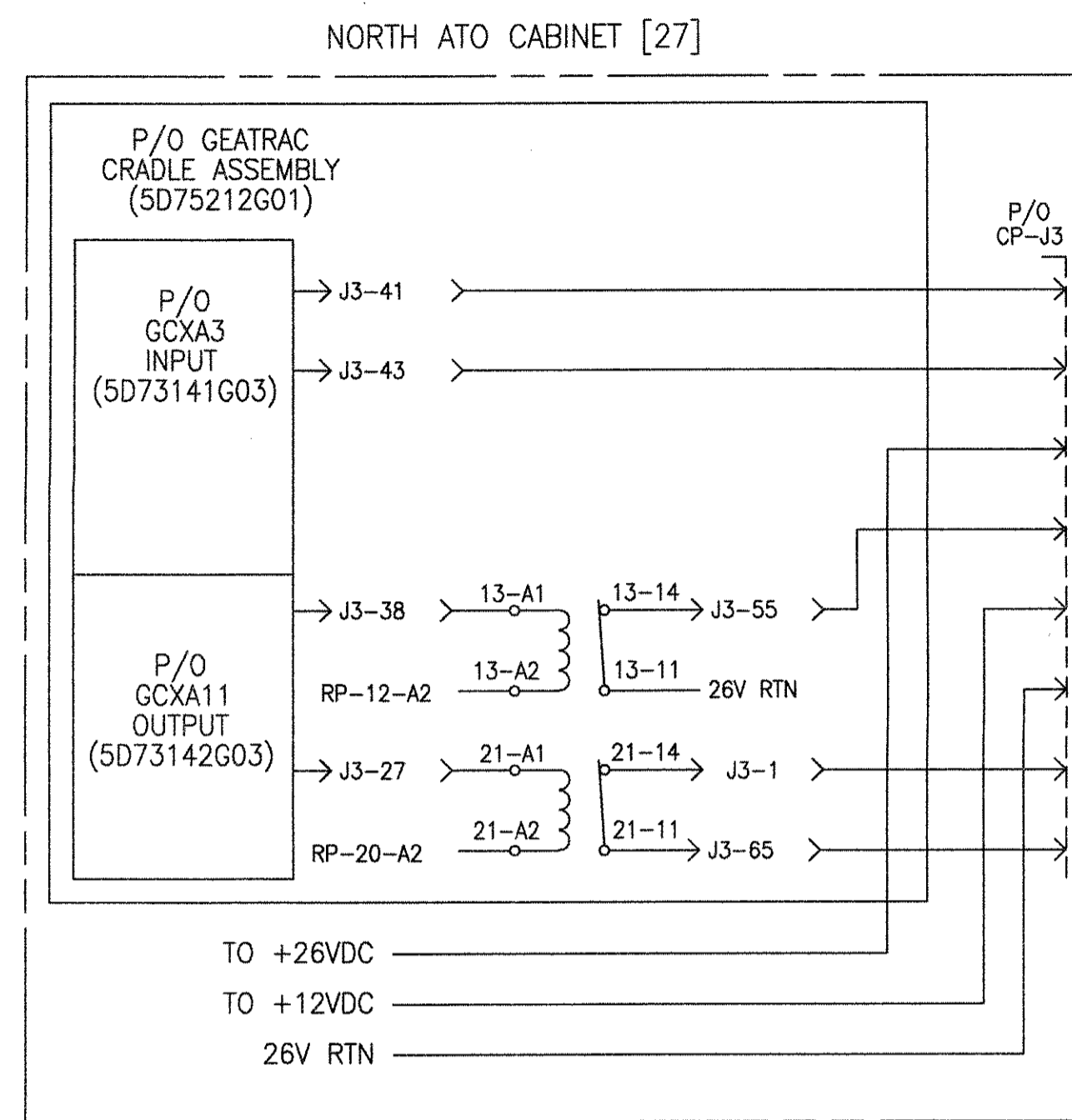
GEOMETRIC CHARACTERISTIC SYMBOLS	
FLATNESS	▭
STRAIGHTNESS	▭
ROUNDNESS (CIRCULARITY)	○
CYLINDRICITY	○
PROFILE OF ANY LINE	▭
PROFILE OF ANY SURFACE	▭
PARALLELISM	▭
PERPENDICULARITY (SQUARENESS)	▭
ANGULARITY	▭
RUNOUT	▭
TRUE POSITION	⊕
CONCENTRICITY	⊕
SYMMETRY	⊕
MAXIMUM MATERIAL CONDITION (MMC)	⊕
REGARDLESS OF FEATURE SIZE	⊕

DFTM. J. LYNS KEY	DATE 8-26-97
CHKR.	
ENGRG. K. RYAN	
MFG.	
APPD.	
DFTG. SU-V. E.D. WATTY	

<b>BOMBARDIER</b>	
TITLE WAYSIDE SYSTEM SCHEMATIC	
GEORGE BUSH INTERCONTINENTAL AIRPORT-HOUSTON	
DIMENSIONS IN INCHES	
SIZE D	DWG. NO. 5D81332
SCALE NONE	REV. 9
WT.	SHEET 27

PROPRIETARY INFORMATION - SEE SHEET 1

AutoCAD



988

NOTE:  
TX AND RX MAY BE IN THE SAME UNIT. (UTILIZING ACROSS LOBBY REFLECTOR)

TERMINAL C STATION LOBBY CALL BUTTONS AND PASSENGER SENSING

PROPRIETARY INFORMATION - SEE SHEET 1

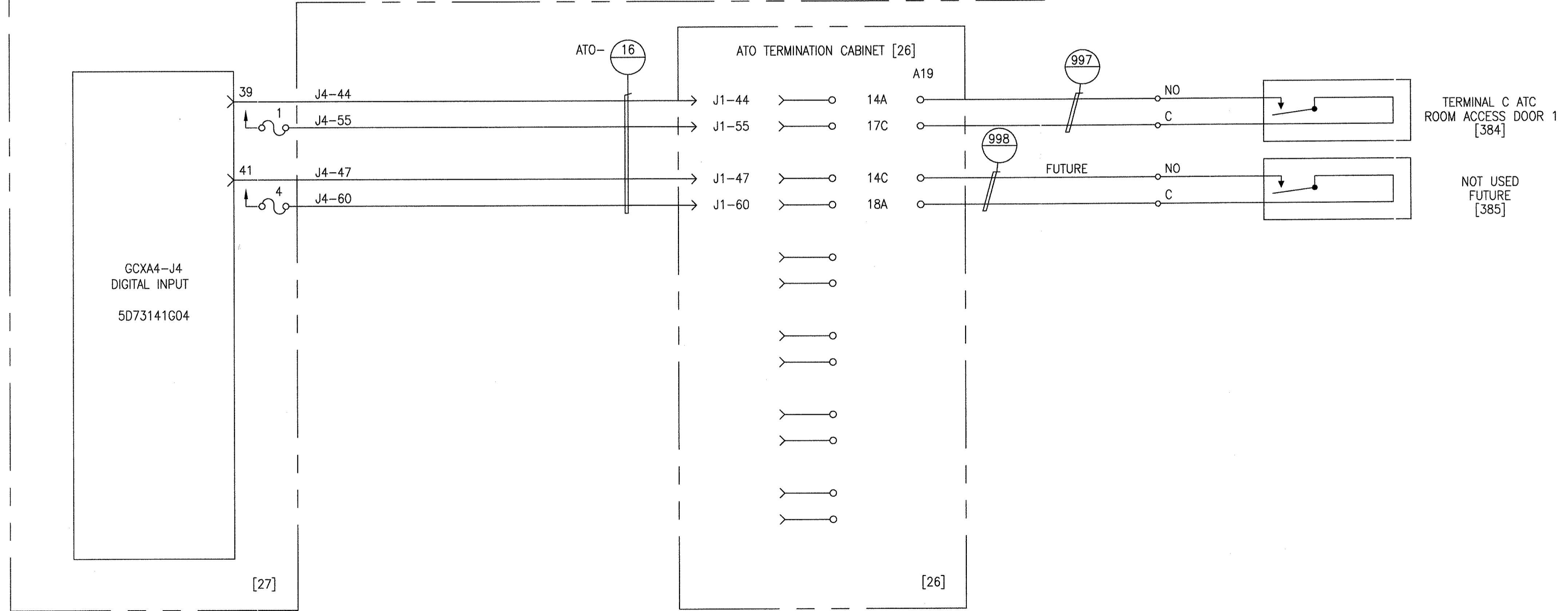
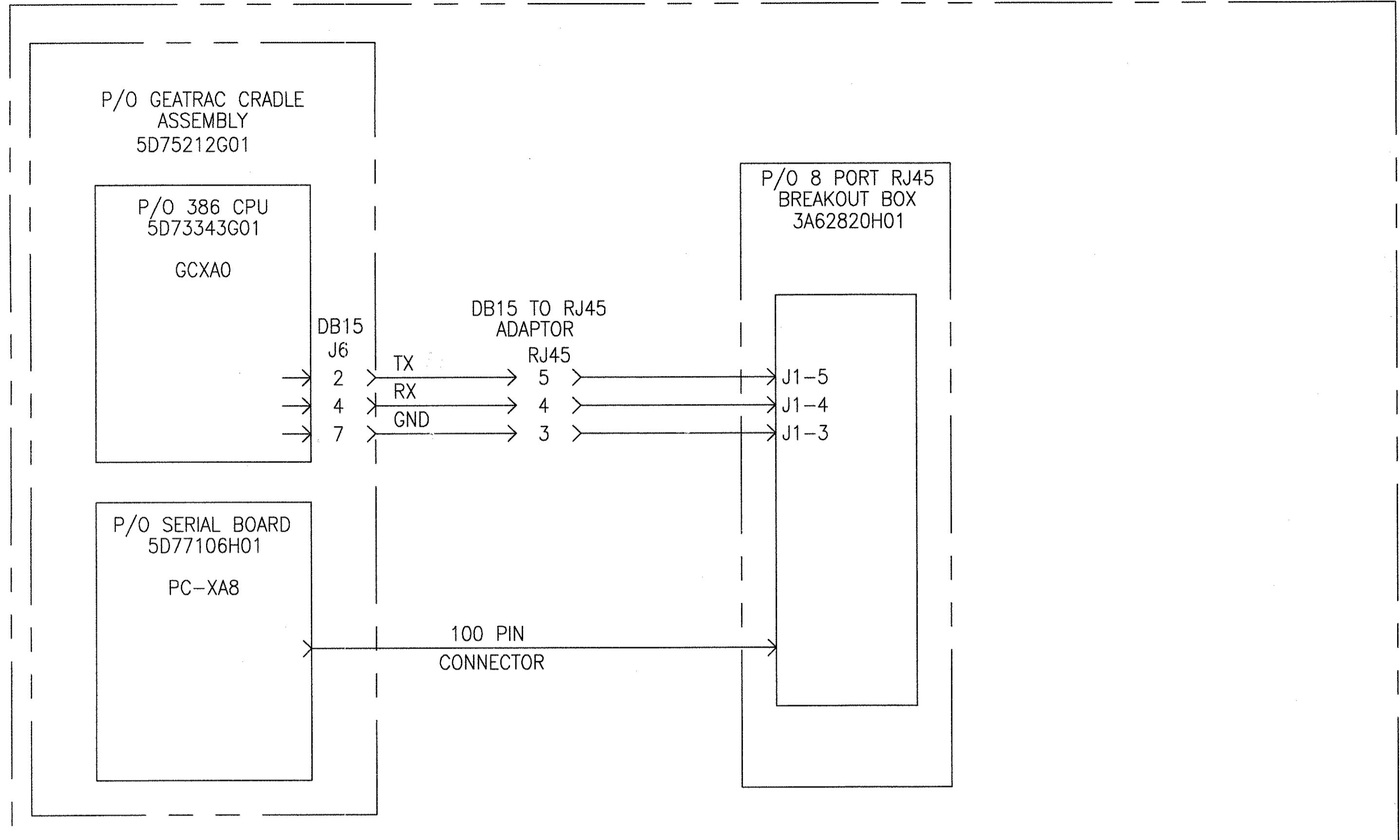
AutoCAD

GEOMETRIC CHARACTERISTIC SYMBOLS	
FLATNESS	▭
STRAIGHTNESS	—
ROUNDNESS (CIRCULARITY)	○
CYLINDRICITY	⊘
PROFILE OF ANY LINE	⌒
PROFILE OF ANY SURFACE	⌒
PARALLELISM	∥
PERPENDICULARITY (SQUARENESS)	⊥
ANGULARITY	∠
RUNOUT	↻
TRUE POSITION	⊕
CONCENTRICITY	⊙
SYMMETRY	⊞
MAXIMUM MATERIAL CONDITION (MMC)	Ⓜ
REGARDLESS OF FEATURE SIZE	Ⓜ

DFTM.	DATE
J. LYN/KEY	8-26-97
CHKR.	
ENGRG.	
K. RYAN	
MFG.	
APPD.	
DFTG. SU/IV.	
E.D. MATTY	

BOMBARDIER	
TITLE WAYSIDE SYSTEM SCHEMATIC	
GEORGE BUSH INTERCONTINENTAL AIRPORT-HOUSTON	
DIMENSIONS IN INCHES	
SIZE D	DWG. NO. 5D81332
SCALE NONE	WT.
SHEET 28	REV. 9

NORTH ATO CABINET [27]



TERMINAL C STATION  
INTRUSION ALARM INPUTS

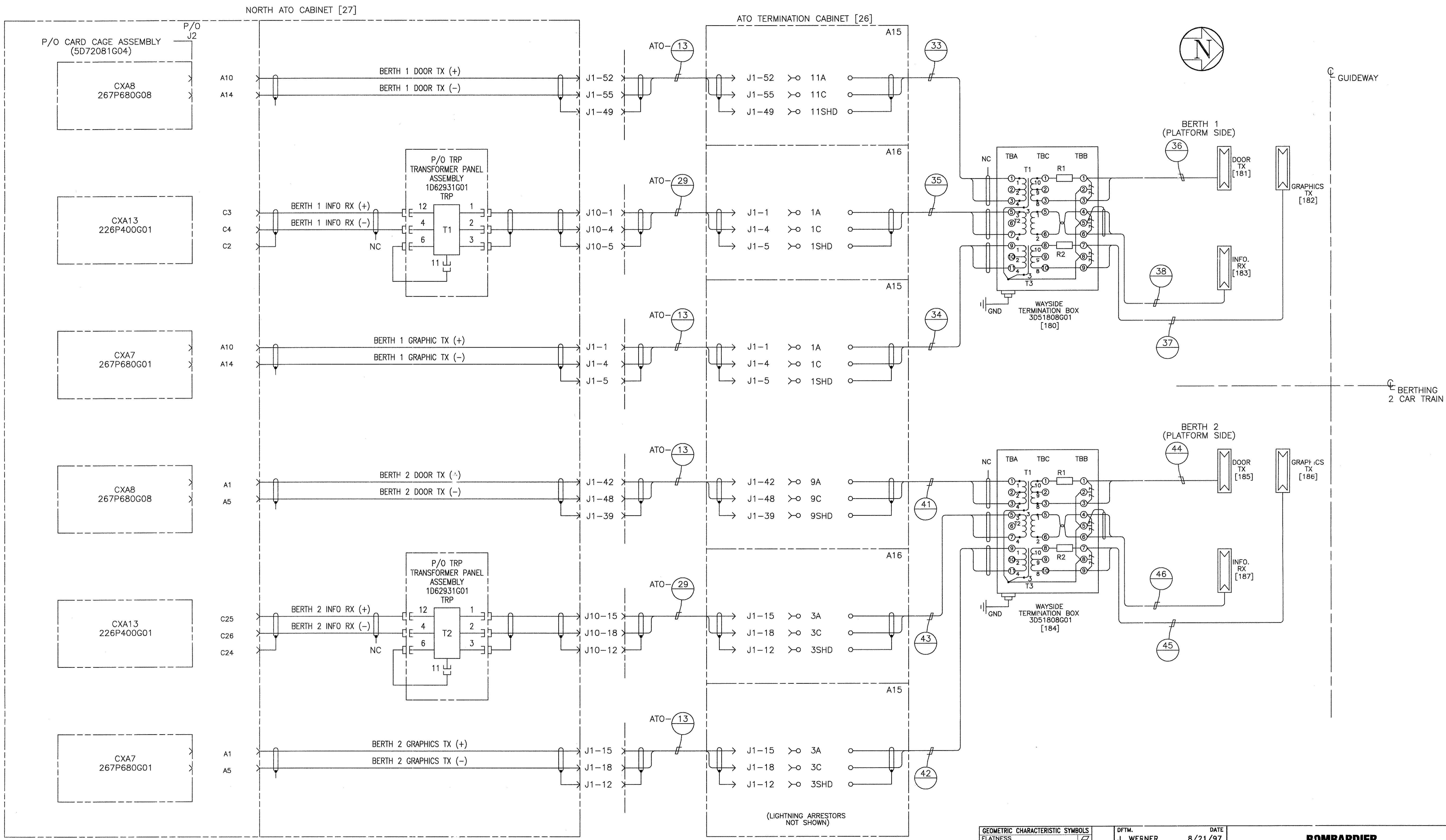
GEOMETRIC CHARACTERISTIC SYMBOLS	
FLATNESS	▭
STRAIGHTNESS	▬
ROUNDNESS (CIRCULARITY)	○
CYLINDRICITY	⊘
PROFILE OF ANY LINE	⌒
PROFILE OF ANY SURFACE	⌒
PARALLELISM	∥
PERPENDICULARITY (SQUARENESS)	⊥
ANGULARITY	∠
RUNOUT	↻
TRUE POSITION	⊕
CONCENTRICITY	⊗
SYMMETRY	≡
MAXIMUM MATERIAL CONDITION (MMC)	Ⓜ
REGARDLESS OF FEATURE SIZE	Ⓜ

DFTM.	J. LYNSKEY	DATE	11-20-97
ENGRG.	K. RYAN	CHKR.	
MFG.		APPD.	
DFTG. SUPV.	E.D. MATTY		

<b>BOMBARDIER</b>			
TITLE WAYSIDE SYSTEM SCHEMATIC			
GEORGE BUSH INTERCONTINENTAL AIRPORT-HOUSTON			
DIMENSIONS IN INCHES		DWG. NO.	REV.
SIZE	D	5D81332	9
SCALE	NONE	WT.	SHEET 29

PROPRIETARY INFORMATION - SEE SHEET 1

AutoCAD

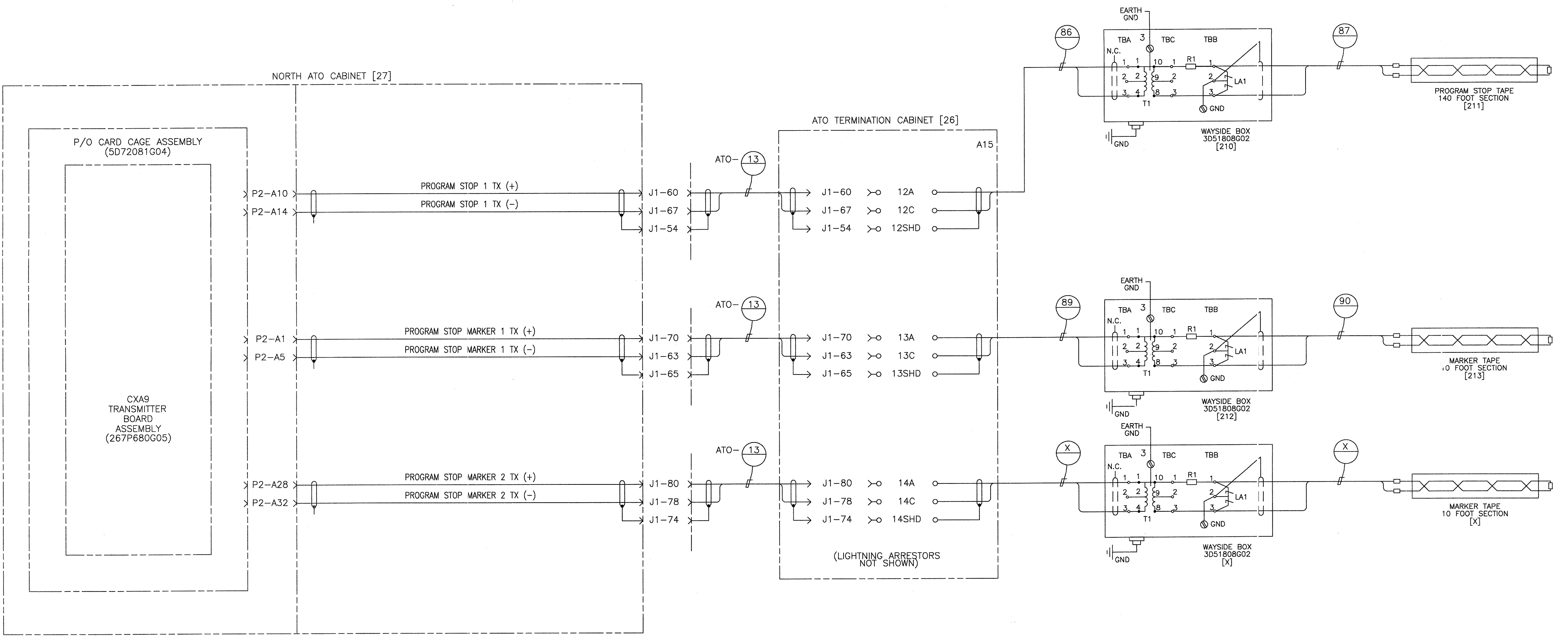


TERMINAL C NORTH STATION  
DOOR, GRAPHICS AND INFORMATION ANTENNA

GEOMETRIC CHARACTERISTIC SYMBOLS		DFTM. DATE		BOMBARDIER	
FLATNESS	▭	J. WERNER	8/21/97	TITLE	
STRAIGHTNESS	▬	CHKR.		WAYSIDE SYSTEM SCHEMATIC	
ROUNDNESS (CIRCULARITY)	○	ENGRG.		GEORGE BUSH INTERCONTINENTAL AIRPORT-HOUSTON	
CYLINDRICITY	○	MFG.		DIMENSIONS IN INCHES	
PROFILE OF ANY LINE	—	APPD.		SIZE	DWG. NO.
PROFILE OF ANY SURFACE	—	DFTG. SU'V.		D	5D81332
PARALLELISM	▯	E.D. WATTY		SCALE NONE	REV. 9
PERPENDICULARITY (SQUARENESS)	⊥			WT.	SHEET 31
ANGULARITY	∠				
RUNOUT	⊖				
TRUE POSITION	⊕				
CONCENTRICITY	⊙				
SYMMETRY	⊞				
MAXIMUM MATERIAL CONDITION (MMC)	Ⓜ				
REGARDLESS OF FEATURE SIZE	Ⓛ				

PROPRIETARY INFORMATION - SEE SHEET 1

AutoCAD



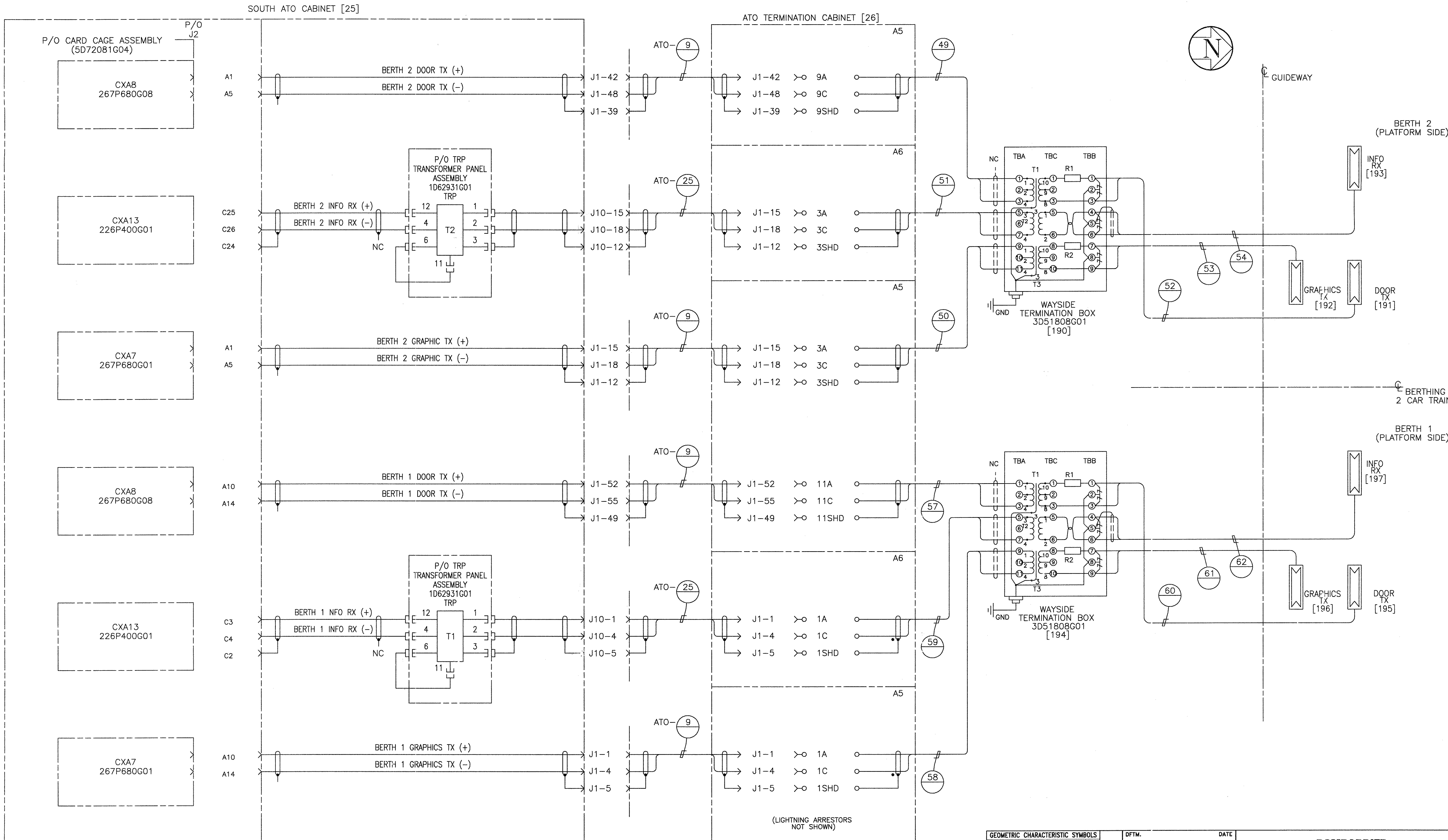
NOTE:  
PHYSICAL LAYOUT NOT SHOWN HERE.

TERMINAL C NORTH STATION  
PROGRAM STOP AND MARKER TAPE INTERFACE

PROPRIETARY INFORMATION - SEE SHEET 1

AutoCAD

<b>GEOMETRIC CHARACTERISTIC SYMBOLS</b> FLATNESS STRAIGHTNESS ROUNDNESS (CIRCULARITY) CYLINDRICITY PROFILE OF ANY LINE PROFILE OF ANY SURFACE PARALLELISM PERPENDICULARITY (SQUARENESS) ANGULARITY RUNOUT TRUE POSITION CONCENTRICITY SYMMETRY MAXIMUM MATERIAL CONDITION (MMC) REGARDLESS OF FEATURE SIZE		DFTM. J. WERNER CHKR. ENGRG. K. RYAN MFG. APPD. DFTG. SU-IV. E.D. WATTY	DATE 8/21/97	<b>BOMBARDIER</b> TITLE WAYSIDE SYSTEM SCHEMATIC GEORGE BUSH INTERCONTINENTAL AIRPORT-HOUSTON DIMENSIONS IN INCHES SIZE D SCALE NONE WT.	DWG. NO. 5D81332 SHEET 32	REV. 9
---	--	---	-----------------	--	------------------------------------	-----------

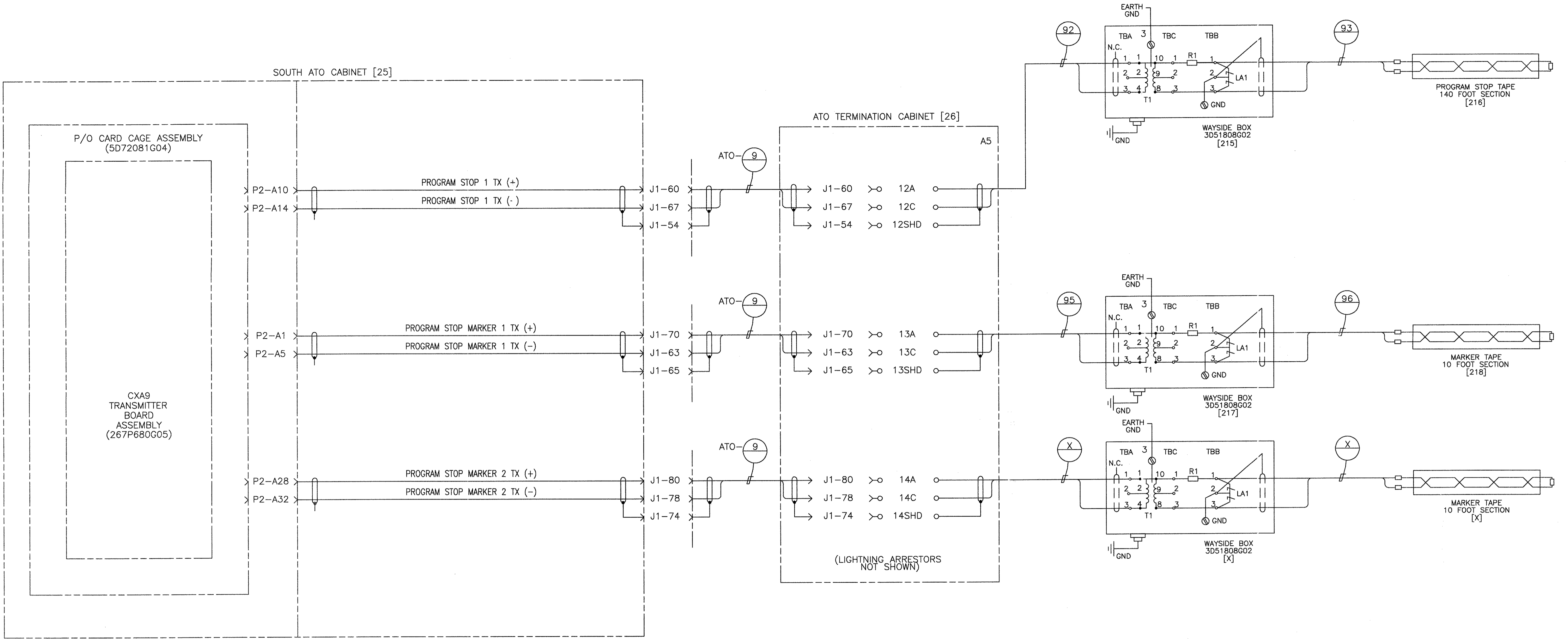


TERMINAL C SOUTH STATION  
DOOR, GRAPHICS AND INFORMATION ANTENNA

GEOMETRIC CHARACTERISTIC SYMBOLS		DFTM.	DATE	BOMBARDIER	
FLATNESS		J. LYNES	8-25-97	TITLE	
STRAIGHTNESS		CHKR.		WAYSIDE SYSTEM SCHEMATIC	
ROUNDNESS (CIRCULARITY)		ENGRG.		GEORGE BUSH INTERCONTINENTAL AIRPORT-HOUSTON	
CYLINDRICITY		MFG.		DIMENSIONS IN INCHES	
PROFILE OF ANY LINE		APPD.		SIZE	DWG. NO.
PROFILE OF ANY SURFACE		DFTG. SU-IV.		D	5D81332
PARALLELISM		E.D. WATTY		SCALE	REV.
PERPENDICULARITY (SQUARENESS)				NONE	9
ANGULARITY				WT.	SHEET
ROUNDNESS					34
TRUE POSITION					
CONCENTRICITY					
SYMMETRY					
MAXIMUM MATERIAL CONDITION (MMC)					
REGARDLESS OF FEATURE SIZE					

PROPRIETARY INFORMATION - SEE SHEET 1

AutoCAD



NOTE:  
PHYSICAL LAYOUT NOT SHOWN HERE.

TERMINAL C SOUTH STATION  
PROGRAM STOP AND MARKER TAPE INTERFACE

PROPRIETARY INFORMATION - SEE SHEET 1

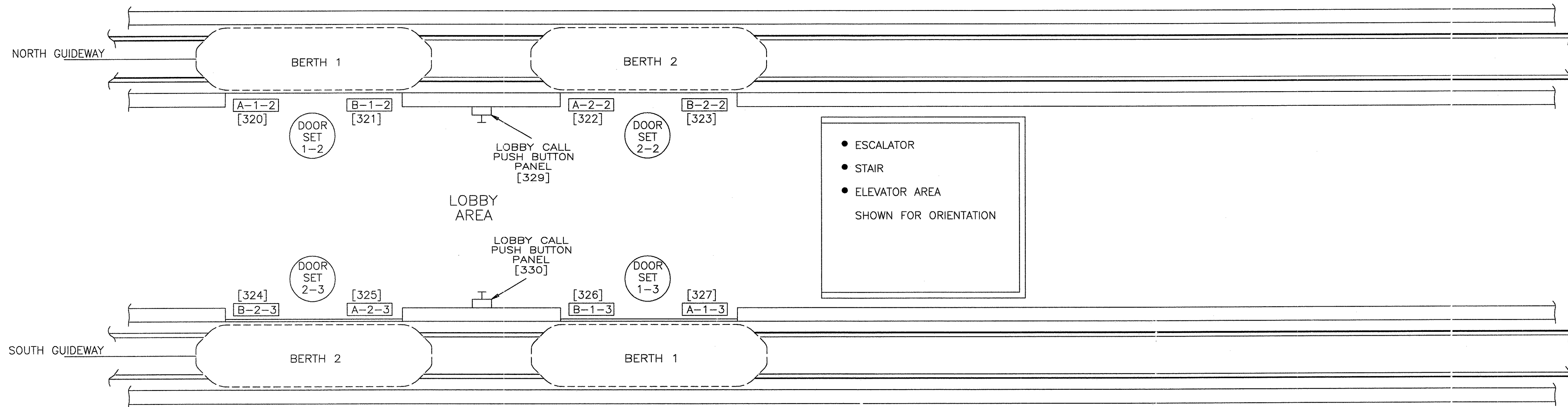
AutoCAD

<b>GEOMETRIC CHARACTERISTIC SYMBOLS</b> FLATNESS STRAIGHTNESS ROUNDNESS (CIRCULARITY) CYLINDRICITY PROFILE OF ANY LINE PROFILE OF ANY SURFACE PARALLELISM PERPENDICULARITY (SQUARENESS) ANGULARITY RUNOUT TRUE POSITION CONCENTRICITY SYMMETRY MAXIMUM MATERIAL CONDITION (MMC) REGARDLESS OF FEATURE SIZE		DFTM. J. WEHNER CHKR. ENGRG. K. RYAN MFG. APPD. DFTG. SUPV. E.D. MATTY	DATE 8/21/97 TITLE WAYSIDE SYSTEM SCHEMATIC GEORGE BUSH INTERCONTINENTAL AIRPORT-HOUSTON DIMENSIONS IN INCHES SIZE D SCALE NONE DWG. NO. 5D81332 SHEET 35	REV. 9 BOMBARDIER
---	--	---	--	----------------------



NOTES:

- VEHICLES IN TERMINAL C STATION OCCUPY BERTHS 1 & 2 OF BOTH GUIDEWAYS. BERTH 1 IS FOR FUTURE REFERENCE.
- EACH LOBBY AREA SIDE HAS ONE SET OF DOOR CONTROLLERS. THERE ARE TWO DOOR OPERATORS PER DOOR SET, IDENTIFIED AS DOOR OPERATOR "A" AND DOOR OPERATOR "B". WHEN FACING A VEHICLE SIDE IN ANY OF THE STATION LOBBIES, DOOR OPERATOR "A" IS ALWAYS ON THE LEFT SIDE AND DOOR OPERATOR "B" IS ALWAYS ON THE RIGHT SIDE OF EACH VEHICLE.



TERMINAL C STATION DOOR CONTROLLER IDENTIFICATION ASSIGNMENTS

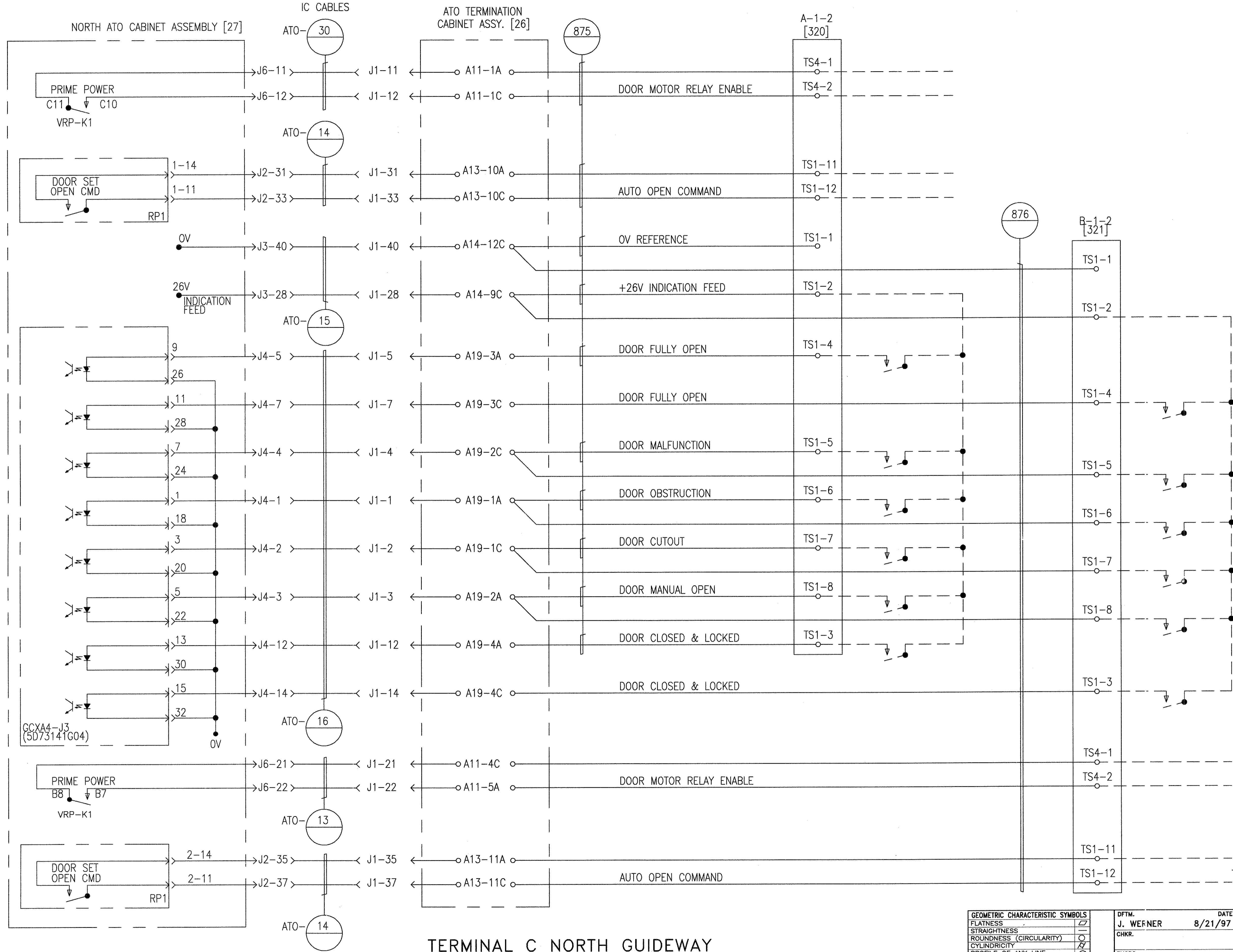
PROPRIETARY INFORMATION - SEE SHEET 1

AutoCAD

GEOMETRIC CHARACTERISTIC SYMBOLS	
FLATNESS	—
STRAIGHTNESS	—
ROUNDNESS (CIRCULARITY)	○
CYLINDRICITY	∕
PROFILE OF ANY LINE	∕
PROFILE OF ANY SURFACE	∕
PARALLELISM	∕
PERPENDICULARITY (SQUARENESS)	⊥
ANGULARITY	∕
RUNOUT	∕
TRUE POSITION	⊕
CONCENTRICITY	⊕
SYMMETRY	∕
MAXIMUM MATERIAL CONDITION (MMC)	Ⓜ
REGARDLESS OF FEATURE SIZE	Ⓜ

DFTM.	J. WERNER	DATE	8/21/97
CHKR.			
ENGRG.	K. RYAN		
MFG.			
APPD.			
DFTG. SUPT.	E.D. WATTY		

<b>BOMBARDIER</b>			
TITLE WAYSIDE SYSTEM SCHEMATIC			
GEORGE BUSH INTERCONTINENTAL AIRPORT-HOUSTON			
DIMENSIONS IN INCHES			
SIZE	D	DWG. NO.	5D81332
SCALE	NONE	WT.	
SHEET	36	REV.	9



TERMINAL C NORTH GUIDEWAY  
STATION DOOR INTERFACE  
BERTH 1 DOOR SET 1-2

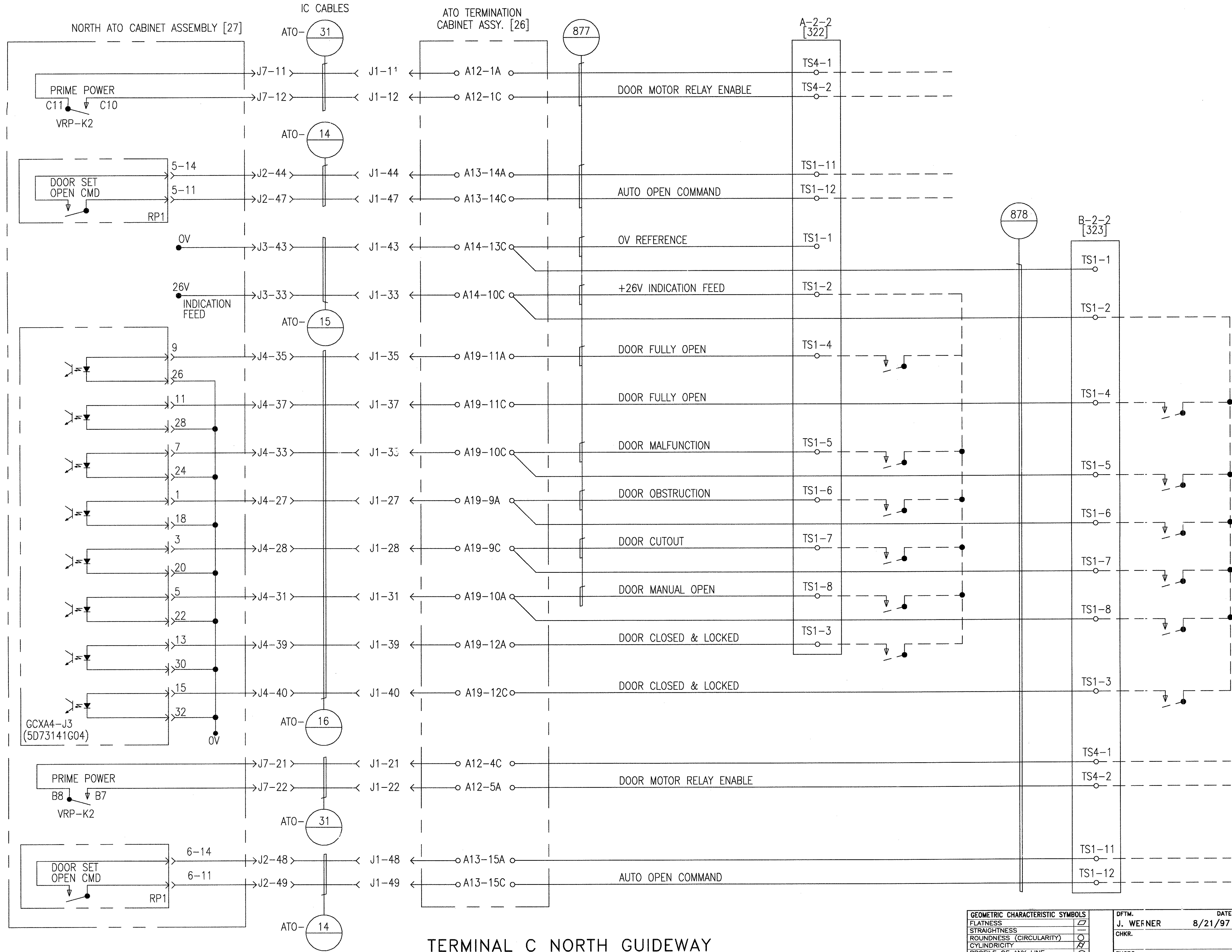
GEOMETRIC CHARACTERISTIC SYMBOLS	
FLATNESS	▭
STRAIGHTNESS	▬
ROUNDNESS (CIRCULARITY)	⊘
CYLINDRICITY	⊘
PROFILE OF ANY LINE	⊘
PROFILE OF ANY SURFACE	⊘
PARALLELISM	▯
PERPENDICULARITY (SQUARENESS)	⊥
ANGULARITY	∠
RUNOUT	⊘
TRUE POSITION	⊘
CONCENTRICITY	⊘
SYMMETRY	⊘
MAXIMUM MATERIAL CONDITION (MMC)	⊘
REGARDLESS OF FEATURE SIZE	⊘

DFTM. J. WEFNER	DATE 8/21/97
CHKR.	
ENGRG. K. RYAN	
MFG.	
APPD.	
DFTG. SU-IV E.D. WATTY	

<b>BOMBARDIER</b>	
TITLE WAYSIDE SYSTEM SCHEMATIC	
GEORGE BUSH INTERCONTINENTAL AIRPORT-HOUSTON	
DIMENSIONS IN INCHES	
SIZE D	DWG. NO. 5D81332
SCALE NONE	REV. 9
WT.	SHEET 37

PROPRIETARY INFORMATION - SEE SHEET 1

AutoCAD



TERMINAL C NORTH GUIDEWAY  
STATION DOOR INTERFACE  
BERTH 2 DOOR SET 2-2

--- WIRING PROVIDED BY DOOR VENDOR

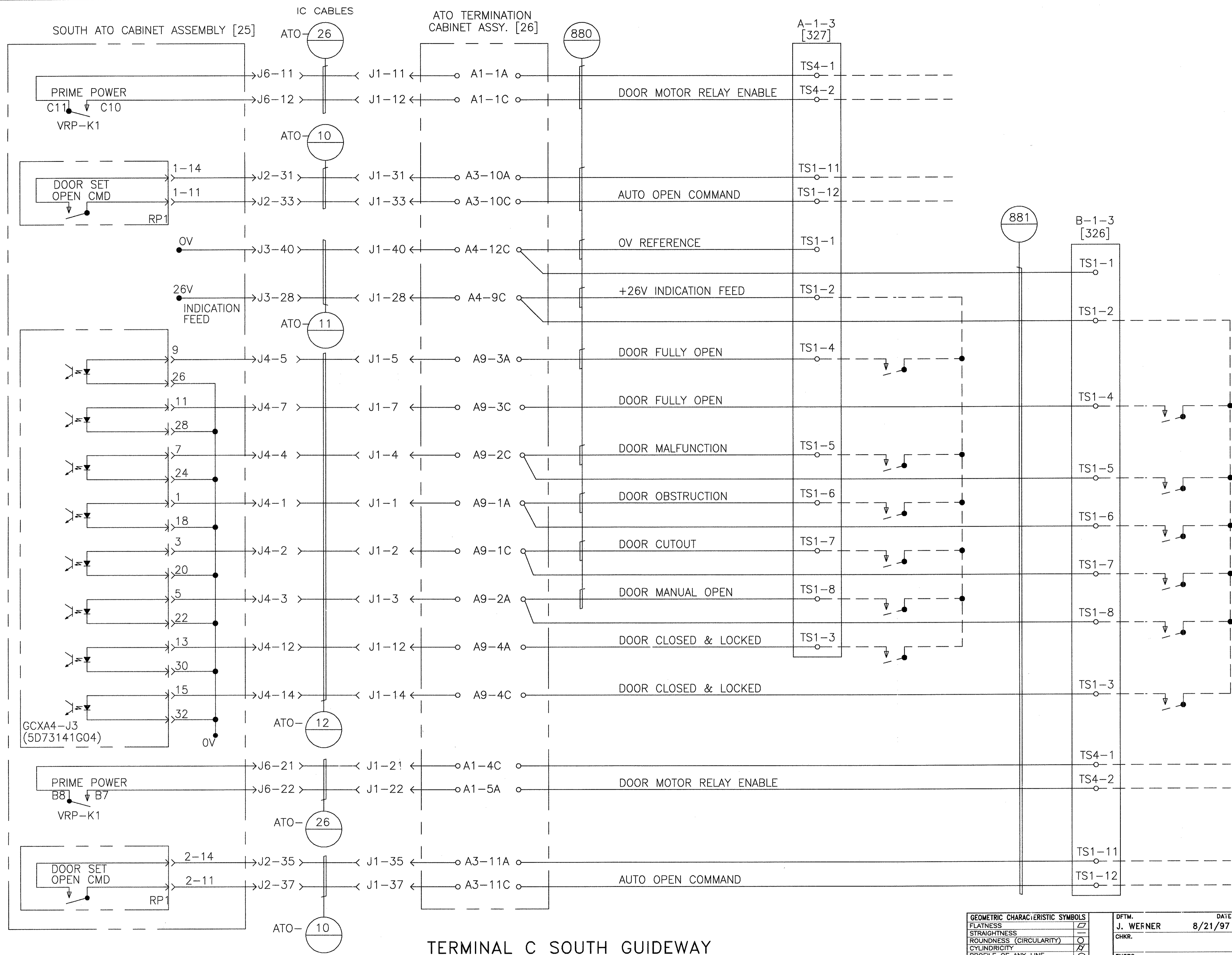
PROPRIETARY INFORMATION - SEE SHEET 1

AutoCAD

GEOMETRIC CHARACTERISTIC SYMBOLS	
FLATNESS	▭
STRAIGHTNESS	—
ROUNDNESS (CIRCULARITY)	○
CYLINDRICITY	⊘
PROFILE OF ANY LINE	⌒
PROFILE OF ANY SURFACE	⌒
PARALLELISM	∥
PERPENDICULARITY (SQUARENESS)	⊥
ANGULARITY	∠
RUNOUT	⊖
TRUE POSITION	⊕
CONCENTRICITY	⊙
SYMMETRY	⊞
MAXIMUM MATERIAL CONDITION (MMC)	Ⓜ
REGARDLESS OF FEATURE SIZE	Ⓛ

DFTM. J. WEFNER	DATE 8/21/97
CHKR.	
ENGRG. K. RYAN	
MFG.	
APPD.	
DFTG. SU-IV. E.D. WATTY	

<b>BOMBARDIER</b>	
TITLE WAYSIDE SYSTEM SCHEMATIC	
GEORGE BUSH INTERCONTINENTAL AIRPORT-HOUSTON	
DIMENSIONS IN INCHES	
SIZE D	DWG. NO. 5D81332
SCALE NONE	REV. 9
WT.	SHEET 38



--- ● WIRING PROVIDED BY DOOR VENDOR

TERMINAL C SOUTH GUIDEWAY  
STATION DOOR INTERFACE  
BERTH 1 DOOR SET 1-3

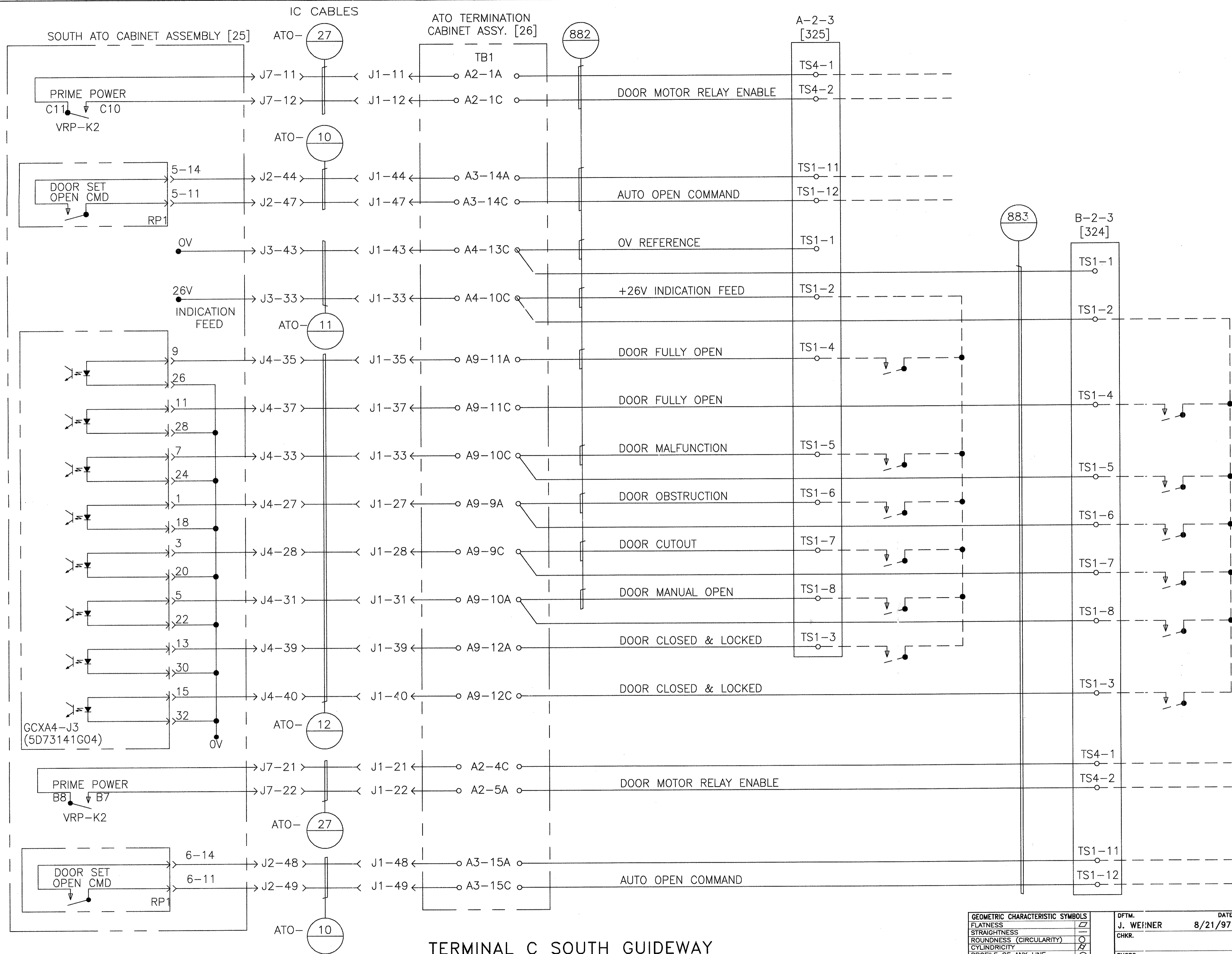
PROPRIETARY INFORMATION - SEE SHEET 1

AutoCAD

GEOMETRIC CHARACTERISTIC SYMBOLS	
FLATNESS	▭
STRAIGHTNESS	—
ROUNDNESS (CIRCULARITY)	○
CYLINDRICITY	⊘
PROFILE OF ANY LINE	⌒
PROFILE OF ANY SURFACE	⌒
PARALLELISM	∥
PERPENDICULARITY (SQUARENESS)	⊥
ANGULARITY	∠
RUNOUT	⊕
TRUE POSITION	⊕
CONCENTRICITY	⊕
SYMMETRY	⊕
MAXIMUM MATERIAL CONDITION (MMC)	Ⓜ
REGARDLESS OF FEATURE SIZE	Ⓜ

DFTM. J. WERNER	DATE 8/21/97
CHKR.	
ENGRG. K. RYAN	
MFG.	
APPD.	
DFTG. SU'V. E.D. WATTY	

<b>BOMBARDIER</b>	
TITLE WAYSIDE SYSTEM SCHEMATIC	
GEORGE BUSH INTERCONTINENTAL AIRPORT-HOUSTON	
DIMENSIONS IN INCHES	
SIZE D	DWG. NO. 5D81332
SCALE NONE	WT.
SHEET 39	REV. 9



--- ● WIRING PROVIDED BY DOOR VENDOR

TERMINAL C SOUTH GUIDEWAY  
STATION DOOR INTERFACE  
BERTH 2 DOOR SET 2-3

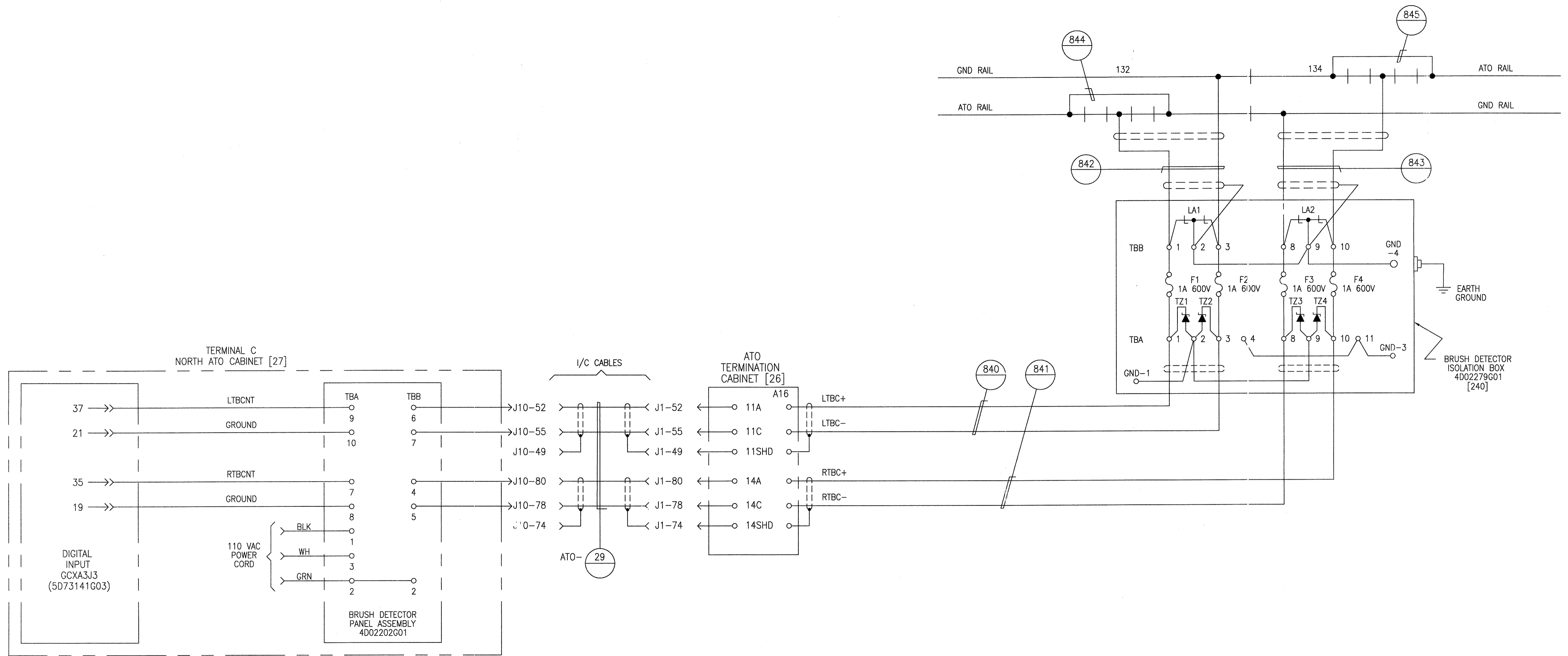
PROPRIETARY INFORMATION - SEE SHEET 1

AutoCAD

GEOMETRIC CHARACTERISTIC SYMBOLS	
FLATNESS	▭
STRAIGHTNESS	▭
ROUNDNESS (CIRCULARITY)	○
CYLINDRICITY	○
PROFILE OF ANY LINE	—
PROFILE OF ANY SURFACE	—
PARALLELISM	∥
PERPENDICULARITY (SQUARENESS)	⊥
ANGULARITY	∠
RUNOUT	↻
TRUE POSITION	⊕
CONCENTRICITY	⊙
SYMMETRY	⊞
MAXIMUM MATERIAL CONDITION (MMC)	Ⓜ
REGARDLESS OF FEATURE SIZE	Ⓛ

DFTM.	J. WEHNER	DATE	8/21/97
CHKR.			
ENGRG.	K. RYAN		
MFG.			
APPD.			
DFTG. SLPV.	E.D. MATTY		

<b>BOMBARDIER</b>	
TITLE WAYSIDE SYSTEM SCHEMATIC	
GEORGE BUSH INTERCONTINENTAL AIRPORT-HOUSTON	
DIMENSIONS IN INCHES	
SIZE	DWG. NO. 5D81332
SCALE NONE	REV. 9
WT.	SHEET 40



NORTH GUIDEWAY BRUSH DETECTOR

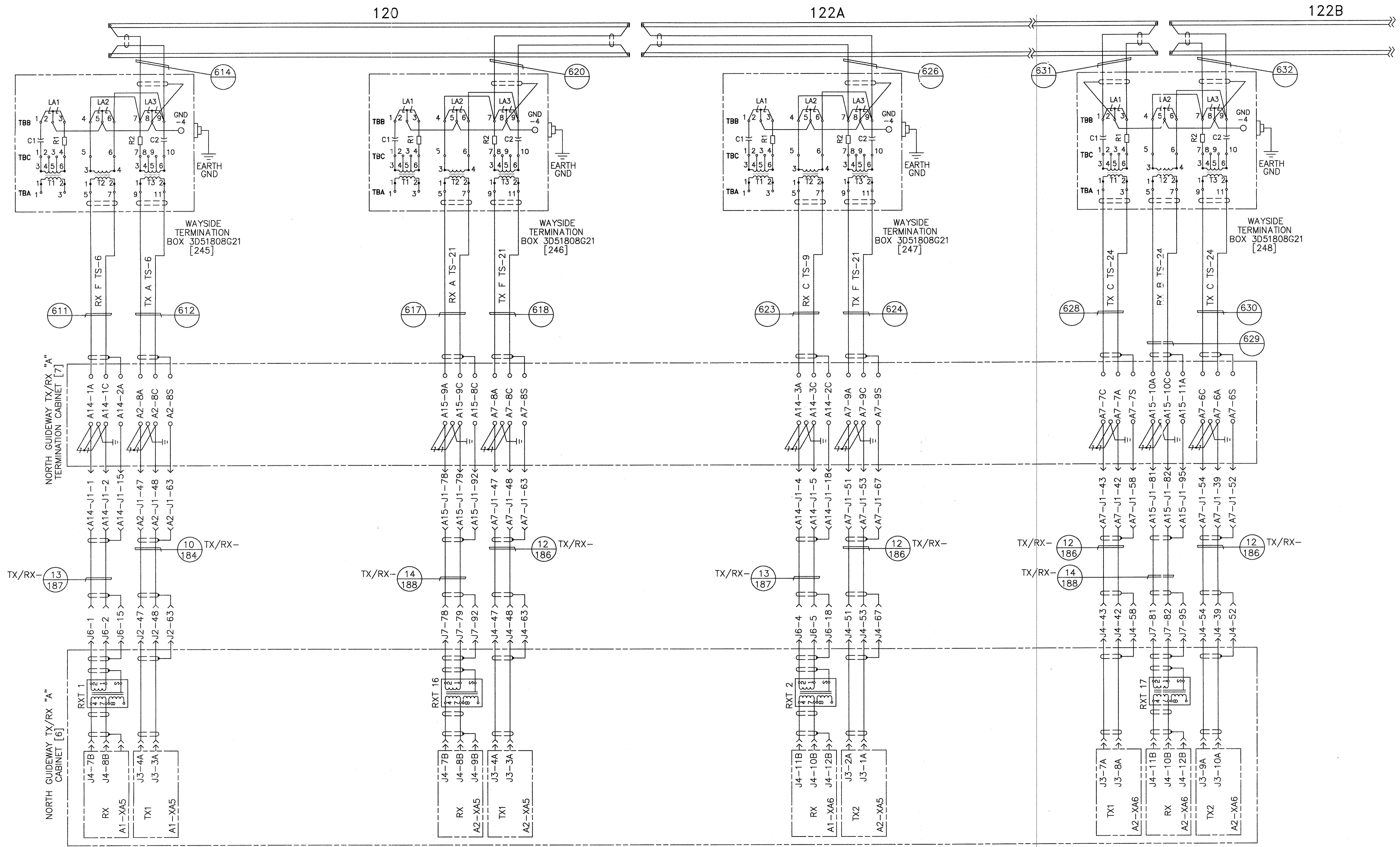
PROPRIETARY INFORMATION - SEE SHEET 1

AutoCAD

GEOMETRIC CHARACTERISTIC SYMBOLS	
FLATNESS	▭
STRAIGHTNESS	▬
ROUNDNESS (CIRCULARITY)	○
CYLINDRICITY	○
PROFILE OF ANY LINE	▬
PROFILE OF ANY SURFACE	▬
PARALLELISM	▯
PERPENDICULARITY (SQUARENESS)	⊥
ANGULARITY	∠
RUNOUT	⊖
TRUE POSITION	⊕
CONCENTRICITY	⊙
SYMMETRY	⊞
MAXIMUM MATERIAL CONDITION (MMC)	Ⓜ
REGARDLESS OF FEATURE SIZE	Ⓛ

DFTM.	J.LYNSKEY	DATE	8-26-97
CHKR.			
ENGRG.	K. RYAN		
MFG.			
APPD.			
DFTG. SU'V.	E.D. MATTY		

<b>BOMBARDIER</b>	
TITLE WAYSIDE SYSTEM SCHEMATIC	
GEORGE BUSH INTERCONTINENTAL AIRPORT-HOUSTON	
DIMENSIONS IN INCHES	
SIZE D	DWG. NO. 5D81332
SCALE NONE	REV. 9
WT.	SHEET 41



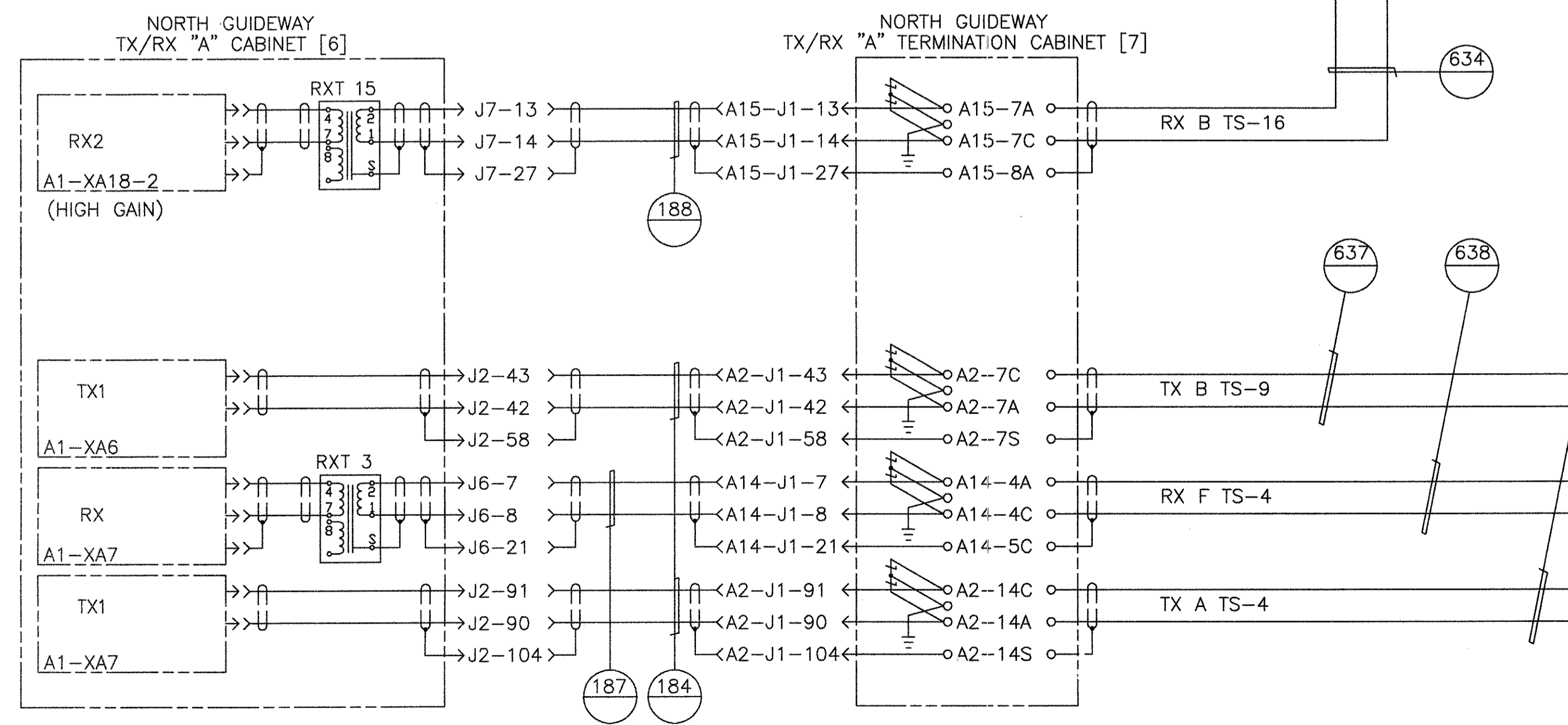
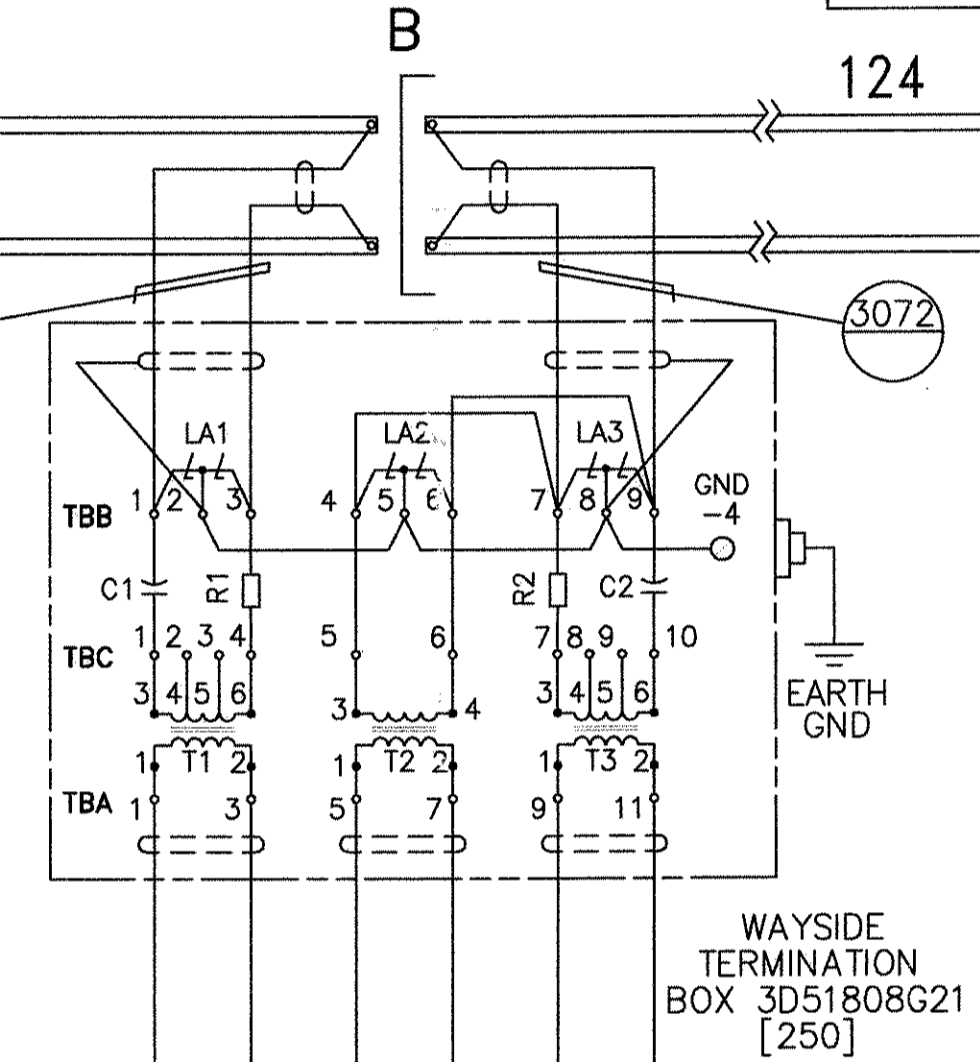
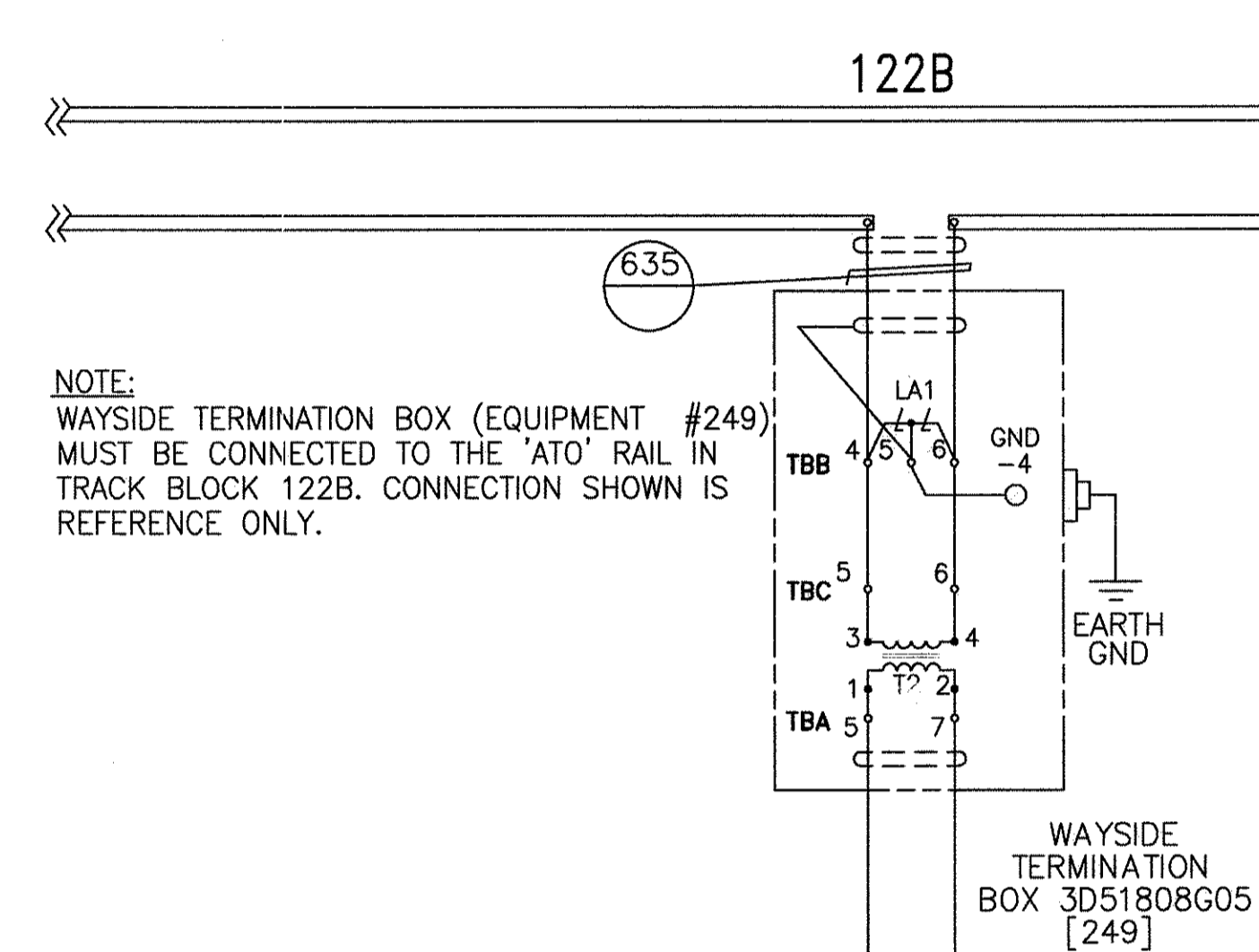
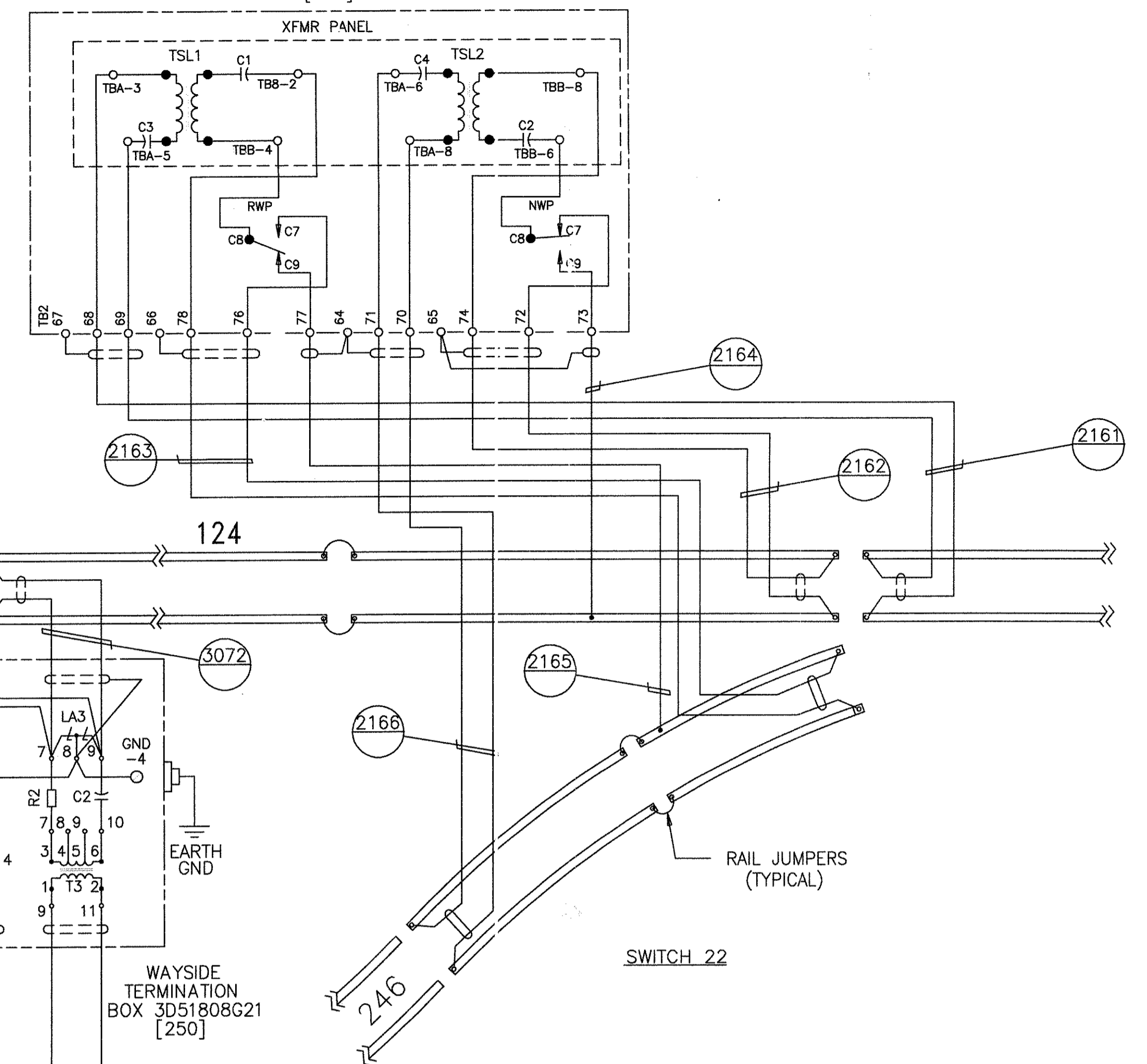
NORTH GUIDEWAY TRANSMIT/RECEIVE (TERMINAL B)

PROPRIETARY INFORMATION - SEE SHEET 1

AutoCAD

<b>GEOMETRIC CHARACTERISTIC SYMBOLS</b> FLATNESS STRAIGHTNESS ROUNDNESS (CIRCULARITY) CYLINDRICITY PROFILE OF ANY LINE PROFILE OF ANY SURFACE PARALLELISM PERPENDICULARITY (SQUARENESS) ANGULARITY RUNOUT TRUE POSITION CONCENTRICITY SYMMETRY MAXIMUM MATERIAL CONDITION (MMC) REGARDLESS OF FEATURE SIZE		DFTM. J. LYNSEY CHKR. ENGRG. K. RYAN MFG. APPD. DFTG. SU/IV. E.D. MATTY	DATE 8-26-97 <b>BOMBARDIER</b> TITLE WAYSIDE SYSTEM SCHEMATIC GEORGE BUSH INTERCONTINENTAL AIRPORT-HOUSTON DIMENSIONS IN INCHES SIZE D DWG. NO. 5D81332 REV. 9 SCALE NONE WT. SHEET 42
---	--	--	---

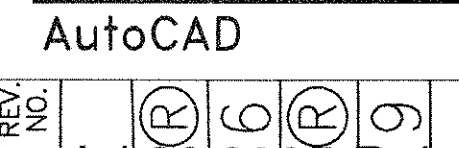
SWITCH LOGIC CONTROL CABINET  
GENERAL ASSEMBLY 3A64952G02  
[1127]



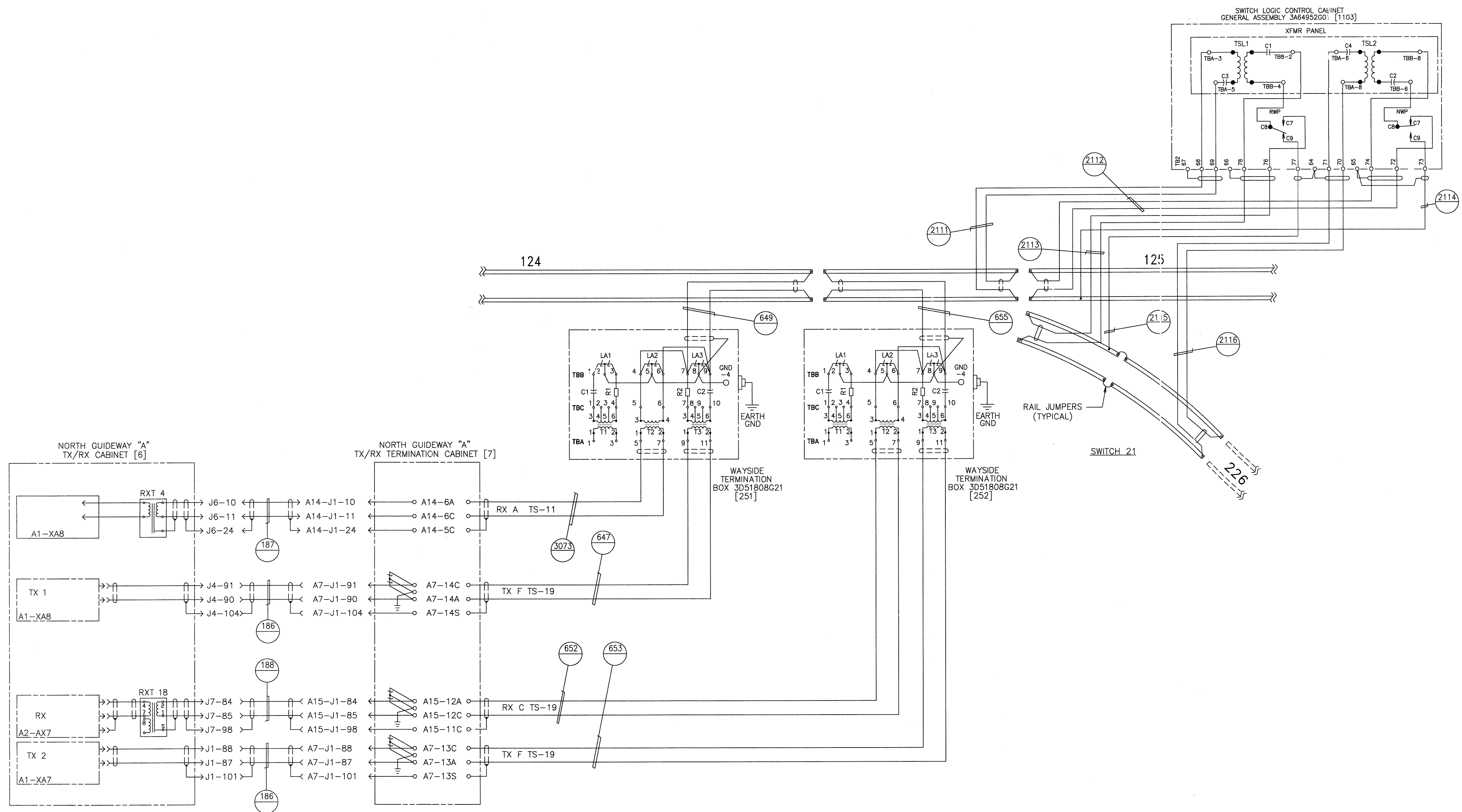
NORTH GUIDEWAY TRANSMIT/RECEIVE (SWITCH 22)

GEOMETRIC CHARACTERISTIC SYMBOLS		DFTM. DATE		BOMBARDIER	
FLATNESS	⏏	J. LYNSEY	8-26-97	TITLE	
STRAIGHTNESS	⏏	CHKR.		WAYSIDE SYSTEM SCHEMATIC	
ROUNDNESS (CIRCULARITY)	⏏	ENGRG.		GEORGE BUSH INTERCONTINENTAL AIRPORT-HOUSTON	
CYLINDRICITY	⏏	MFG.		DIMENSIONS IN INCHES	
PROFILE OF ANY LINE	⏏	APPD.		SIZE	DWG. NO.
PROFILE OF ANY SURFACE	⏏	DFTG. SUIV.		D	5D81332
PARALLELISM	⏏	E.D. MATTY		SCALE NONE	WT.
PERPENDICULARITY (SQUARENESS)	⏏				
ANGULARITY	⏏				
ROUNDOUT	⏏				
TRUE POSITION	⏏				
CONCENTRICITY	⏏				
SYMMETRY	⏏				
MAXIMUM MATERIAL CONDITION (MMC)	⏏				
REGARDLESS OF FEATURE SIZE	⏏				
				REV. 9	
				SHEET 43	

PROPRIETARY INFORMATION - SEE SHEET 1





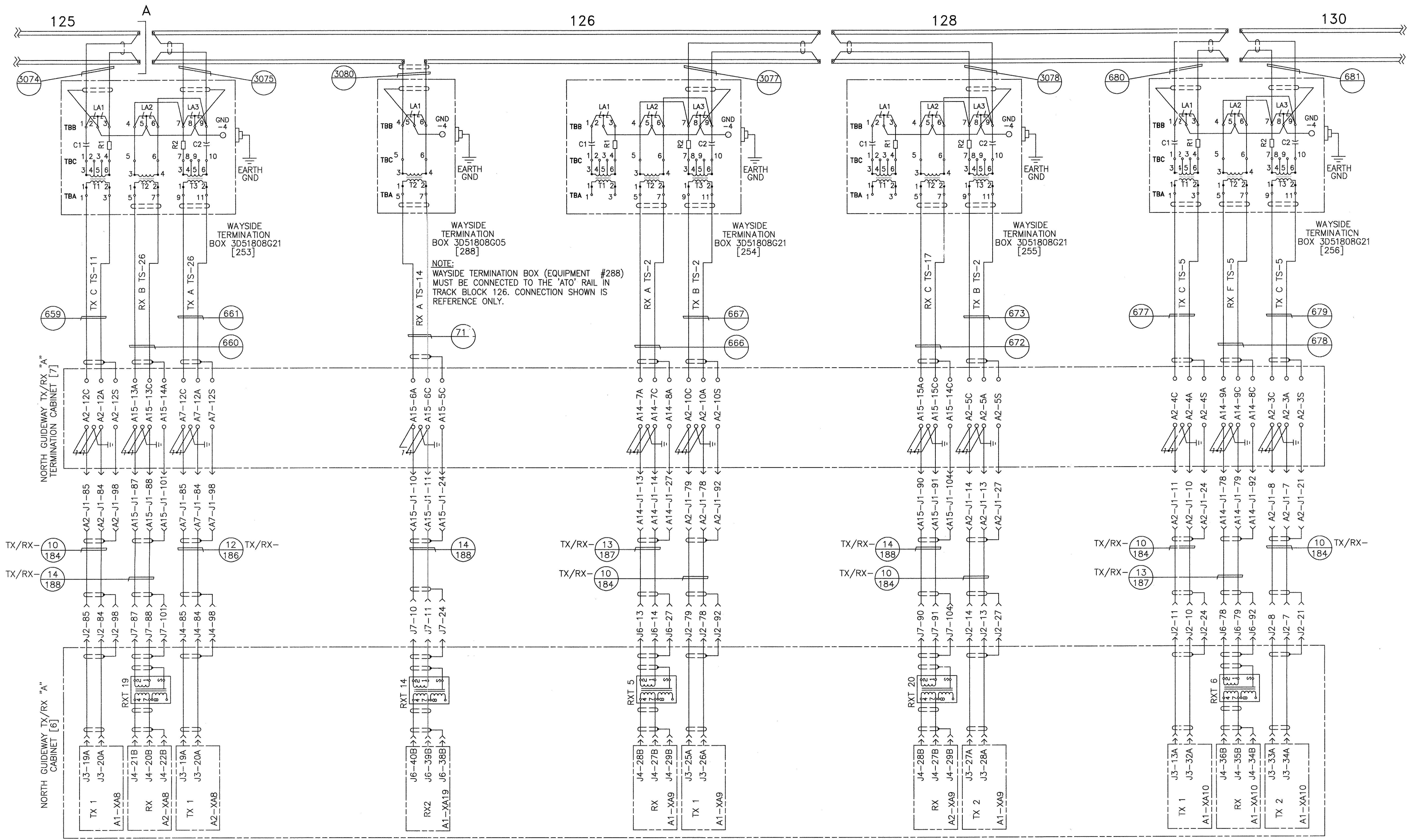


NORTH GUIDEWAY TRANSMIT/RECEIVE (SWITCH 21)

PROPRIETARY INFORMATION - SEE SHEET 1

AutoCAD

<b>GEOMETRIC CHARACTERISTIC SYMBOLS</b> FLATNESS STRAIGHTNESS ROUNDNESS (CIRCULARITY) CYLINDRICITY PROFILE OF ANY LINE PROFILE OF ANY SURFACE PARALLELISM PERPENDICULARITY (SQUARENESS) ANGULARITY RUNOUT TRUE POSITION CONCENTRICITY SYMMETRY MAXIMUM MATERIAL CONDITION (MMC) REGARDLESS OF FEATURE SIZE	DFTM. J. LYNES KEY CHKR.	DATE 8-26-97	<b>BOMBARDIER</b>  TITLE WAYSIDE SYSTEM SCHEMATIC  GEORGE BUSH INTERCONTINENTAL AIRPORT-HOUSTON
	ENGRG. K. RYAN MFG.	APPD.	
DFTG. SU. W. E. D. WATTY	DWG. NO. 5D81332	REV. 9	SCALE NONE WT.
SHEET 44	SHEET 44	SHEET 44	SHEET 44



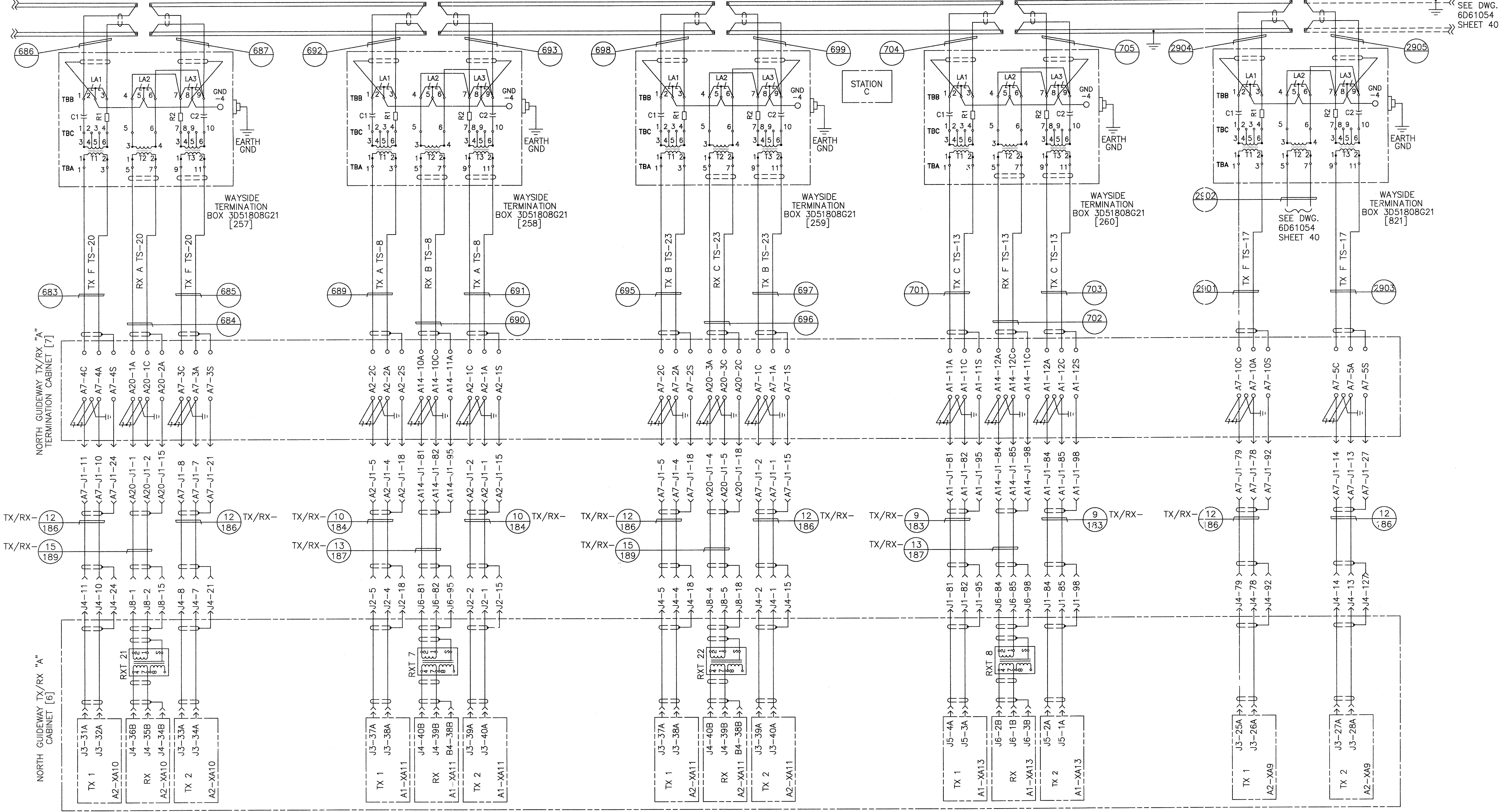
NORTH GUIDEWAY TRANSMIT/RECEIVE

PROPRIETARY INFORMATION - SEE SHEET 1

AutoCAD

<b>GEOMETRIC CHARACTERISTIC SYMBOLS</b> FLATNESS STRAIGHTNESS ROUNDNESS (CIRCULARITY) CYLINDRICITY PROFILE OF ANY LINE PROFILE OF ANY SURFACE PARALLELISM PERPENDICULARITY (SQUARENESS) ANGULARITY RUNOUT TRUE POSITION CONCENTRICITY SYMMETRY MAXIMUM MATERIAL CONDITION (MMC) REGARDLESS OF FEATURE SIZE		DFTM. J. LYNIS/KEY CHKR. ENGRG. K. RYAN MFG. APPD. DFTG. SU/IV. E.D. WATTY	DATE 8-26-97 TITLE WAYSIDE SYSTEM SCHEMATIC GEORGE BUSH INTERCONTINENTAL AIRPORT-HOUSTON DIMENSIONS IN INCHES SIZE D DWG. NO. 5D81332 REV. 9 SCALE NONE WT. SHEET 45	<b>BOMBARDIER</b>
---	--	--	---	-------------------

SEE DWG. 6D61054 SHEET 40

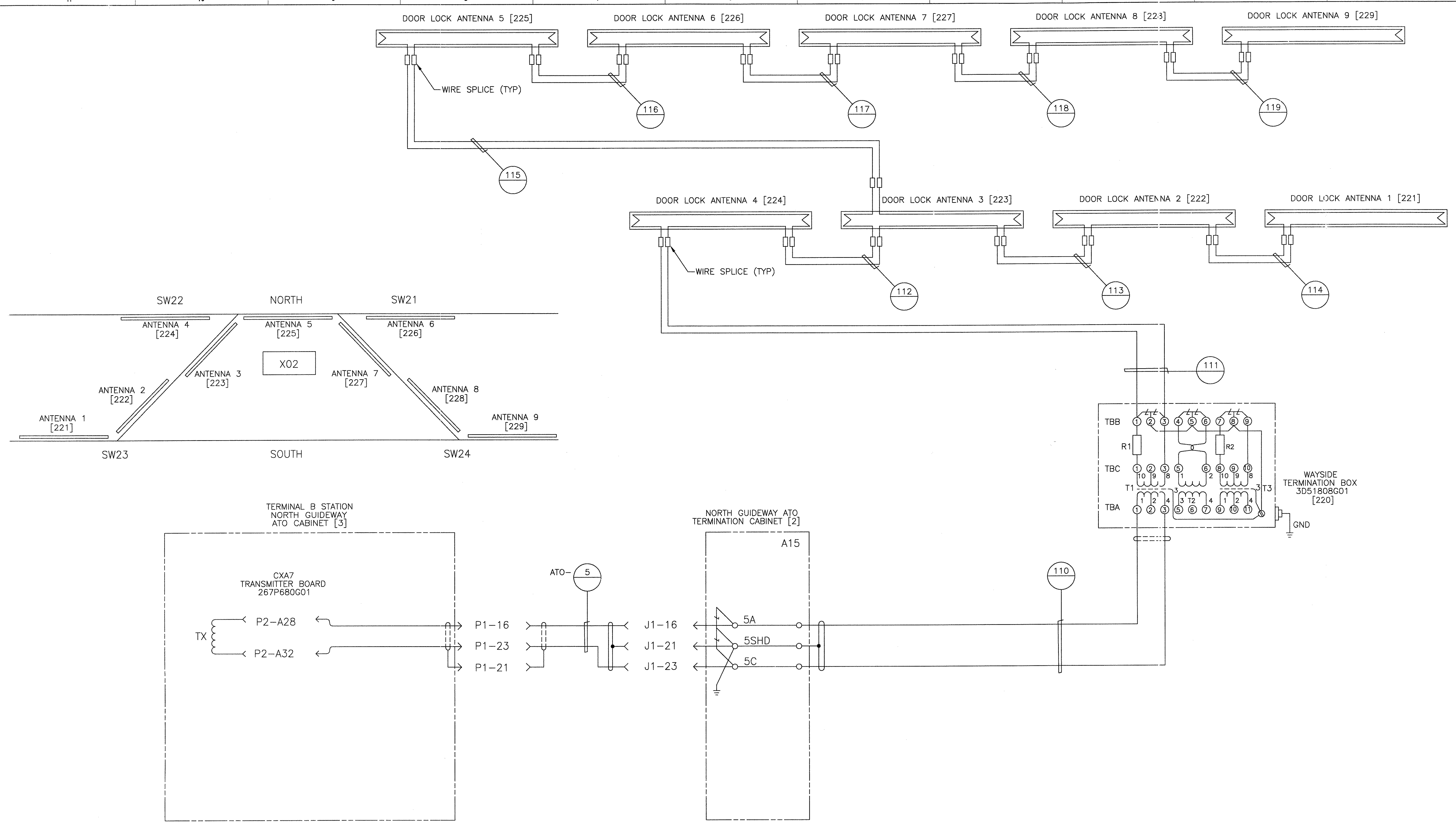


NORTH GUIDEWAY TRANSMIT/RECEIVE (TERMINAL C)

PROPRIETARY INFORMATION - SEE SHEET 1

AutoCAD

<b>GEOMETRIC CHARACTERISTIC SYMBOLS</b> FLATNESS STRAIGHTNESS ROUNDNESS (CIRCULARITY) CYLINDRICITY PROFILE OF ANY LINE PROFILE OF ANY SURFACE PARALLELISM PERPENDICULARITY (SQUARENESS) ANGULARITY RUNOUT TRUE POSITION CONCENTRICITY SYMMETRY MAXIMUM MATERIAL CONDITION (MMC) REGARDLESS OF FEATURE SIZE	DFTM. J.LYNS KEY CHKR.	DATE 8-26-97	<b>BOMBARDIER</b> TITLE WAYSIDE SYSTEM SCHEMATIC GEORGE BUSH INTERCONTINENTAL AIRPORT-HOUSTON
	ENGRG. K. RYAN MFG.	APPD.	
DWG. NO. E.D. WATTY	DWG. NO. 5D81332	REV. 9	SCALE NONE WT. SHEET 46

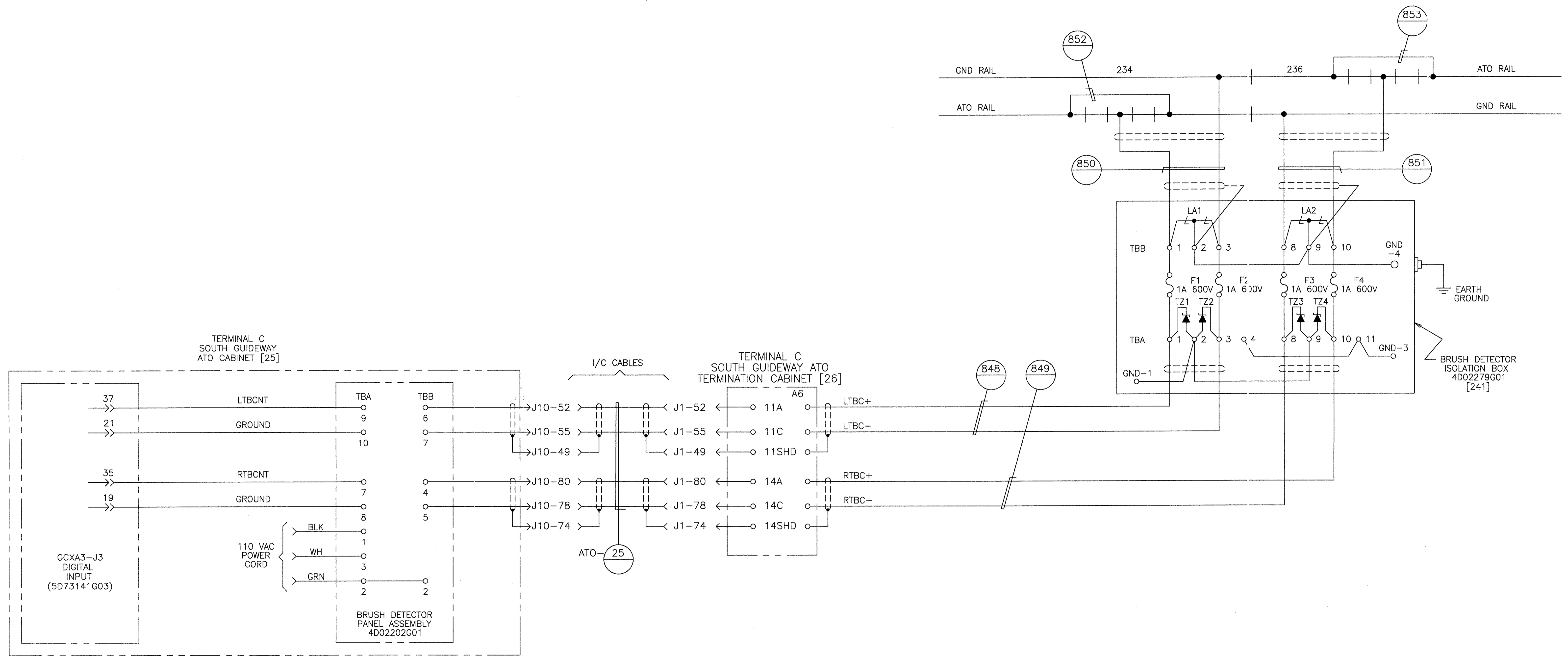


X02 SWITCH WALKWAY SIDE-GRAPHICS ANTENNA TX  
(ANTENNA 1 THRU 9)

PROPRIETARY INFORMATION - SEE SHEET 1

AutoCAD

<b>GEOMETRIC CHARACTERISTIC SYMBOLS</b> FLATNESS STRAIGHTNESS ROUNDNESS (CIRCULARITY) CYLINDRICITY PROFILE OF ANY LINE PROFILE OF ANY SURFACE PARALLELISM PERPENDICULARITY (SQUARENESS) ANGULARITY RUNOUT TRUE POSITION CONCENTRICITY SYMMETRY MAXIMUM MATERIAL CONDITION (MMC) REGARDLESS OF FEATURE SIZE		DFTM. J.LYNS KEY CHKRR. ENGRG. K. RYAN MFG. APPD. DFTG. SU IV. E.D. WATTY	DATE 8-26-97 TITLE WAYSIDE SYSTEM SCHEMATIC GEORGE BUSH INTERCONTINENTAL AIRPORT-HOUSTON DIMENSIONS IN INCHES SCALE NONE WT. SHEET 47	<b>BOMBARDIER</b> DWG. NO. 5D81332 REV. 9
---	--	---	--	---

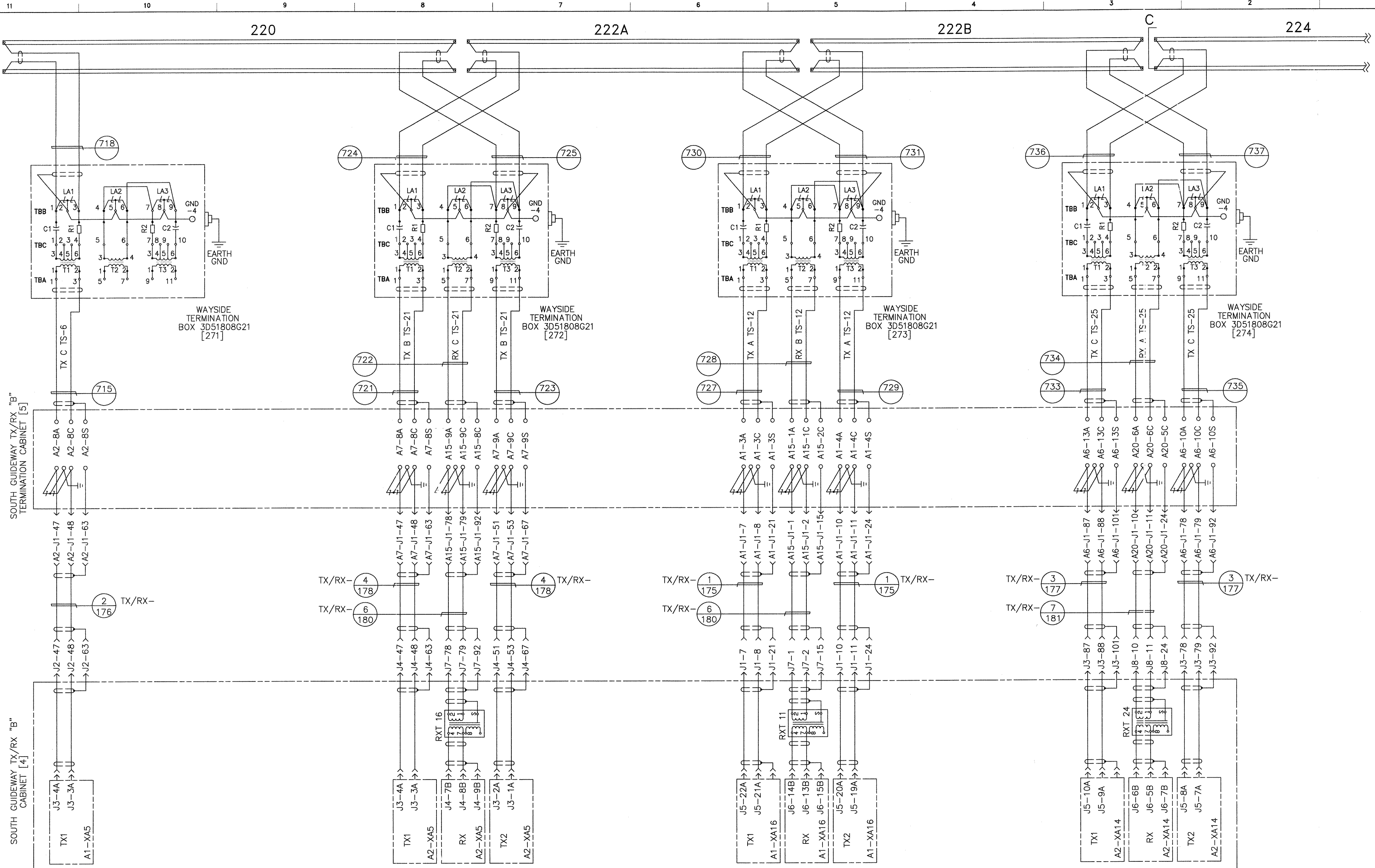


SOUTH GUIDEWAY BRUSH COUNTER

PROPRIETARY INFORMATION - SEE SHEET 1

AutoCAD

GEOMETRIC CHARACTERISTIC SYMBOLS		DFTM. J.LYNSICEY DATE 8-27-97		BOMBARDIER	
FLATNESS	□	CHKR.		TITLE	
STRAIGHTNESS	—	ENGRG.	K. RYAN	WAYSIDE SYSTEM SCHEMATIC	
ROUNDNESS (CIRCULARITY)	○	MFG.		GEORGE BUSH INTERCONTINENTAL AIRPORT-HOUSTON	
CYLINDRICITY	○	APPD.	E.D. MATTY	DIMENSIONS IN INCHES	
PROFILE OF ANY LINE	—	SCALE NONE		WT.	
PROFILE OF ANY SURFACE	—				
PARALLELISM					
PERPENDICULARITY (SQUARENESS)	⊥				
ANGULARITY	∠				
ROUNDNESS (SPHERICALITY)	○				
TRUE POSITION	⊕				
CONCENTRICITY	⊙				
SYMMETRY	⊞				
MAXIMUM MATERIAL CONDITION (MMC)	Ⓜ				
REGARDLESS OF FEATURE SIZE	Ⓛ				



SOUTH GUIDEWAY TRANSMIT/RECEIVE (TERMINAL B)

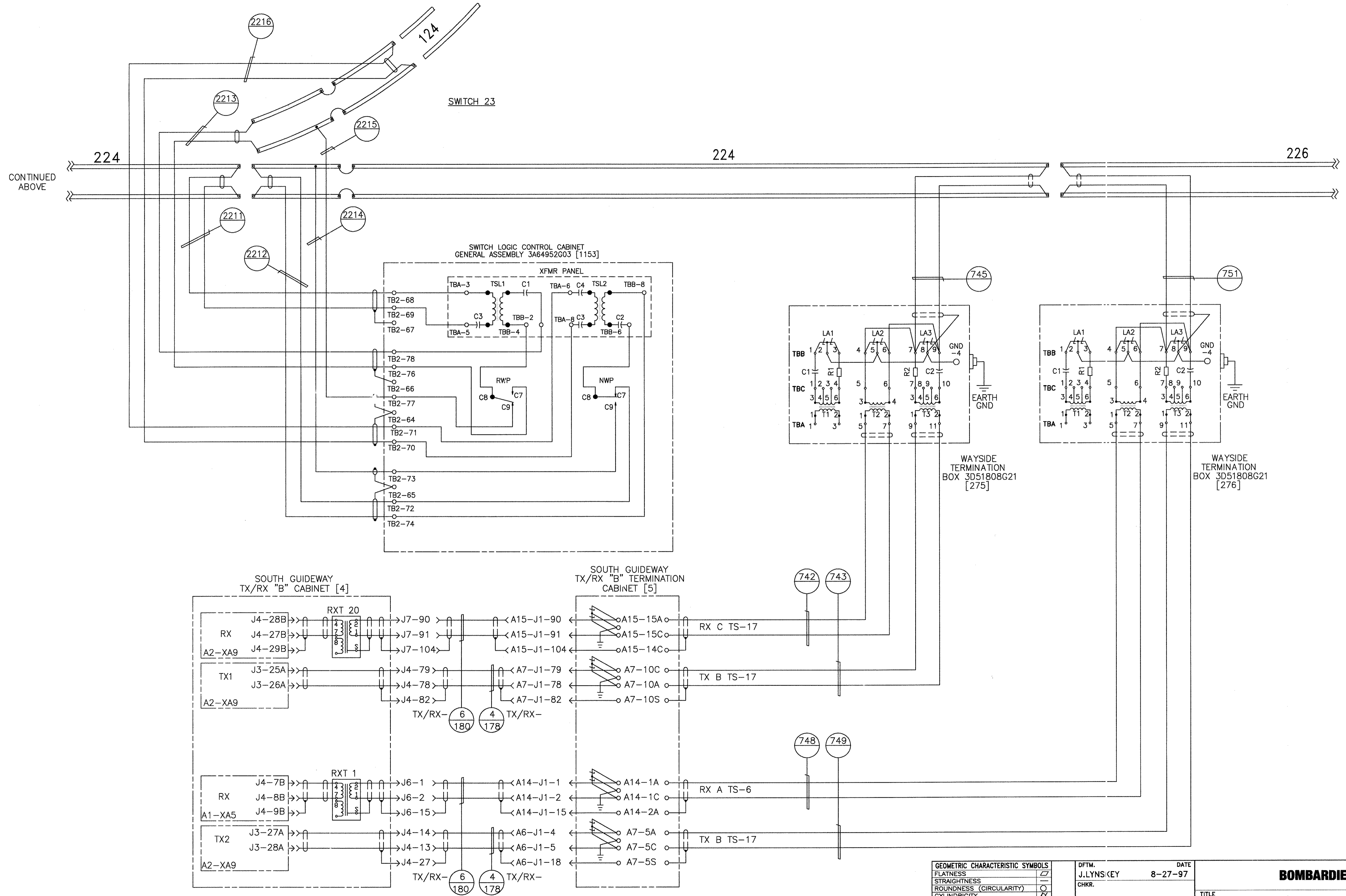
PROPRIETARY INFORMATION - SEE SHEET 1

AutoCAD

GEOMETRIC CHARACTERISTIC SYMBOLS	
FLATNESS	⏊
STRAIGHTNESS	— —
ROUNDNESS (CIRCULARITY)	⊘
CYLINDRICITY	⊘ ⊘
PROFILE OF ANY LINE	— —
PROFILE OF ANY SURFACE	— —
PARALLELISM	∥
PERPENDICULARITY (SQUARENESS)	⊥
ANGULARITY	∠
RUNOUT	⊖
TRUE POSITION	⊕
CONCENTRICITY	⊙
SYMMETRY	⊞
MAXIMUM MATERIAL CONDITION (MMC)	Ⓜ
REGARDLESS OF FEATURE SIZE	Ⓜ

DFTM. J. LYNSEY	DATE 8-27-97
CHKR.	
ENGRG. K. RYAN	
MFG.	
APPD.	
DFTG. SU/IV. E.D. WATTY	

<b>BOMBARDIER</b>	
TITLE WAYSIDE SYSTEM SCHEMATIC	
GEORGE BUSH INTERCONTINENTAL AIRPORT-HOUSTON	
DIMENSIONS IN INCHES	
SIZE <b>D</b>	DWG. NO. <b>5D81332</b>
SCALE NONE	WT.
SHEET <b>49</b>	REV. <b>9</b>



SOUTH GUIDEWAY TRANSMIT/RECEIVE (SWITCH 23)

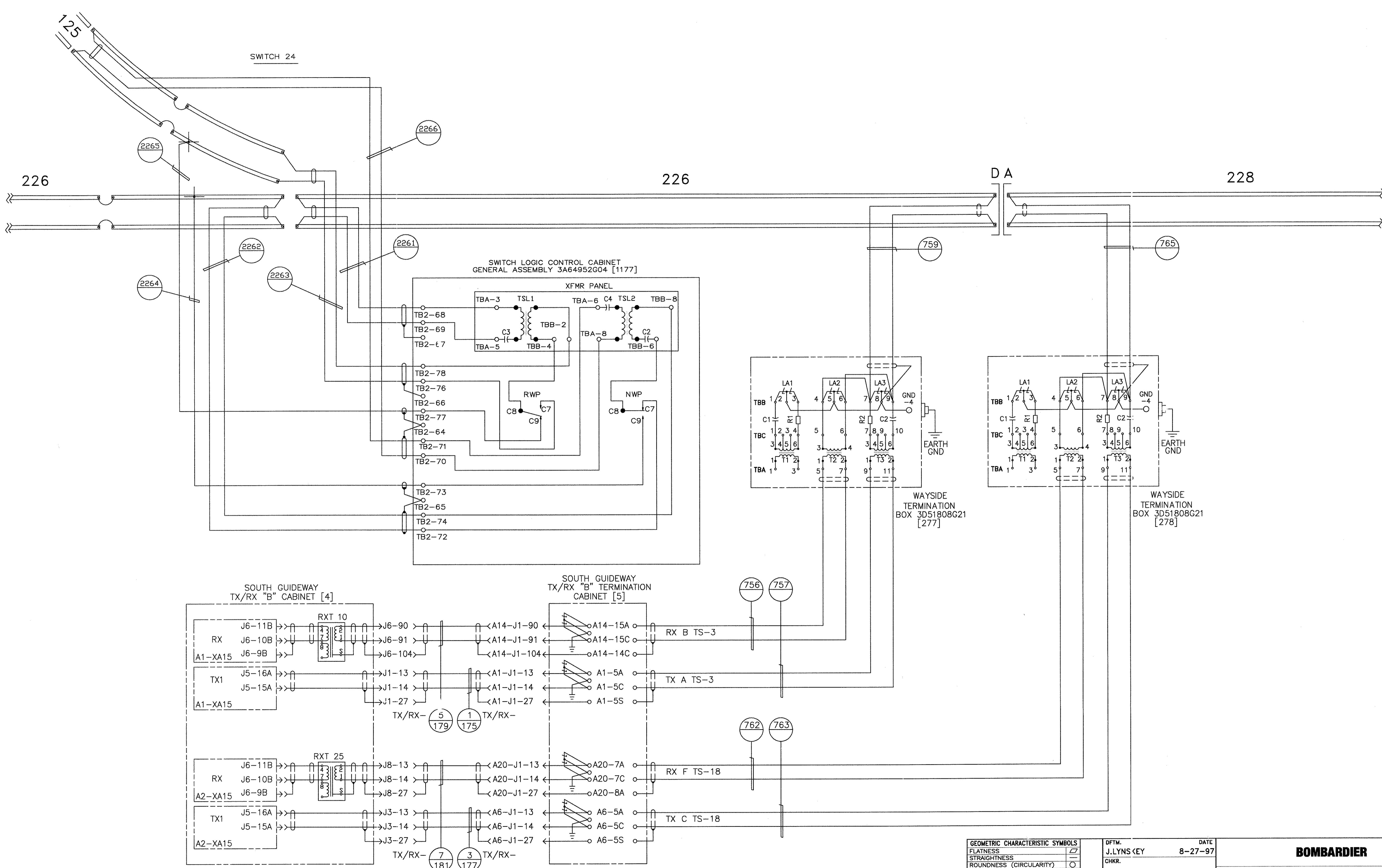
PROPRIETARY INFORMATION - SEE SHEET 1

AutoCAD

GEOMETRIC CHARACTERISTIC SYMBOLS	
FLATNESS	— —
STRAIGHTNESS	— —
ROUNDNESS (CIRCULARITY)	○
CYLINDRICITY	○
PROFILE OF ANY LINE	— —
PROFILE OF ANY SURFACE	— —
PARALLELISM	— —
PERPENDICULARITY (SQUARENESS)	— —
ANGULARITY	— —
RUNOUT	— —
TRUE POSITION	— —
CONCENTRICITY	— —
SYMMETRY	— —
MAXIMUM MATERIAL CONDITION (MMC)	— —
REGARDLESS OF FEATURE SIZE	— —

DFTM.	J.LYNS/KEY	DATE	8-27-97
CHKR.			
ENGRG.	K. RYAN		
MFG.			
APPD.			
DFTG. SU-IV.	E.D. WATTY		

<b>BOMBARDIER</b>	
TITLE WAYSIDE SYSTEM SCHEMATIC	
GEORGE BUSH INTERCONTINENTAL AIRPORT-HOUSTON	
DIMENSIONS IN INCHES	
SIZE	D
DWG. NO.	5D81332
REV.	9
SCALE	NONE
WT.	
SHEET	50



SEE DWG. 6D61054 SHEET 55

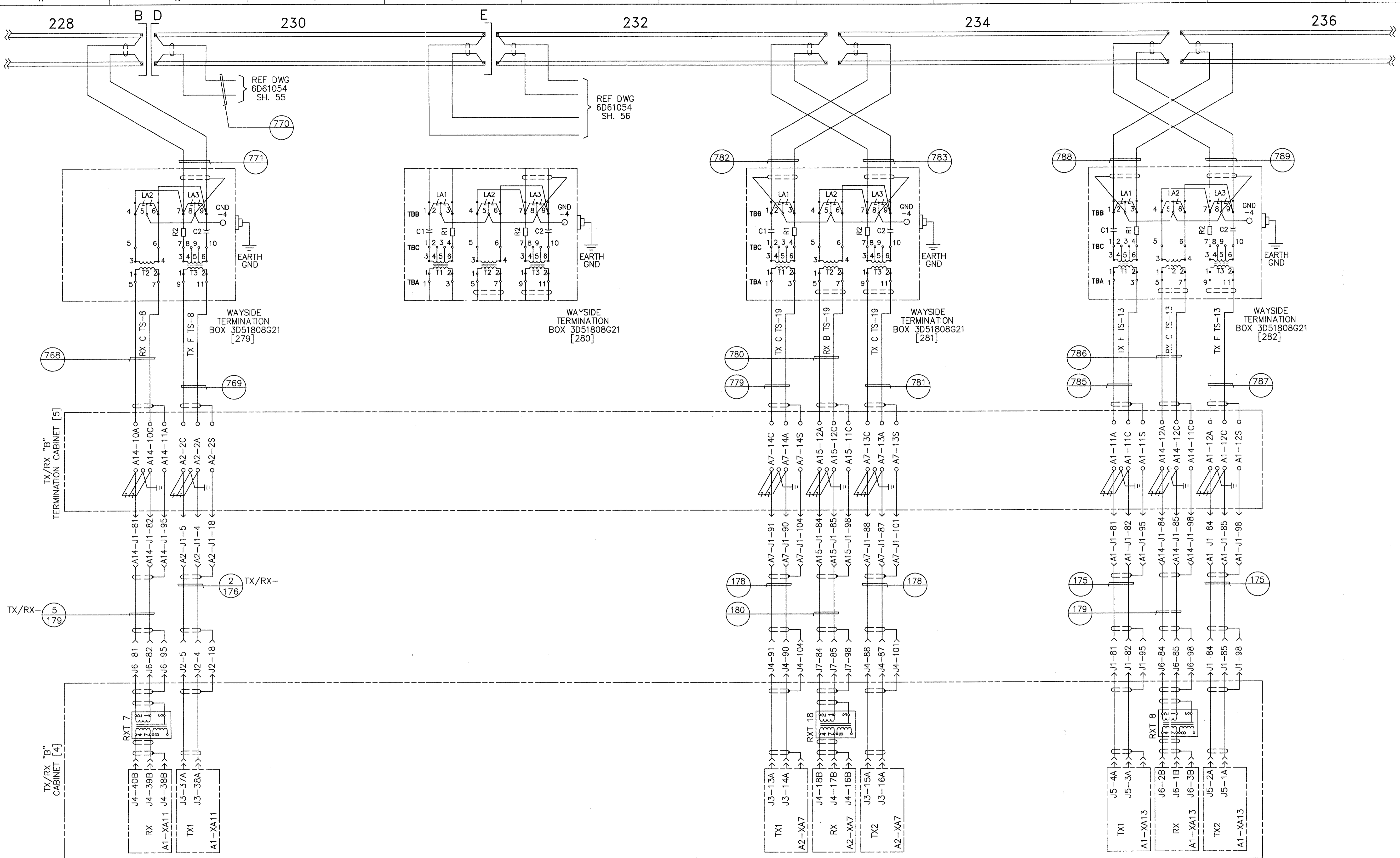
SOUTH GUIDEWAY TRANSMIT/RECEIVE (SWITCH 24)

PROPRIETARY INFORMATION - SEE SHEET 1

AutoCAD

GEOMETRIC CHARACTERISTIC SYMBOLS		DFTM. J. LYNES KEY		DATE 8-27-97	
FLATNESS	⊥	CHKR.		TITLE	
STRAIGHTNESS	— —	ENGRG.	K. RYAN	WAYSIDE SYSTEM SCHEMATIC	
ROUNDNESS (CIRCULARITY)	⊘	MFG.		GEORGE BUSH INTERCONTINENTAL AIRPORT-HOUSTON	
CYLINDRICITY	⊘ —	APPD.		DIMENSIONS IN INCHES	
PROFILE OF ANY LINE	⌒	DFTG. SU'V.	E.D. WATTY	SIZE	D
PROFILE OF ANY SURFACE	⌒ —			DWG. NO.	5D81332
PARALLELISM	∥			REV.	9
PERPENDICULARITY (SQUARENESS)	⊥ —			SCALE	NONE
ANGULARITY	∠			WT.	
RUNOUT	⊖			SHEET	51
TRUE POSITION	⊕				
CONCENTRICITY	⊙				
SYMMETRY	⊞				
MAXIMUM MATERIAL CONDITION (MMC)	Ⓜ				
REGARDLESS OF FEATURE SIZE	Ⓛ				





SOUTH GUIDEWAY TRANSMIT/RECEIVE

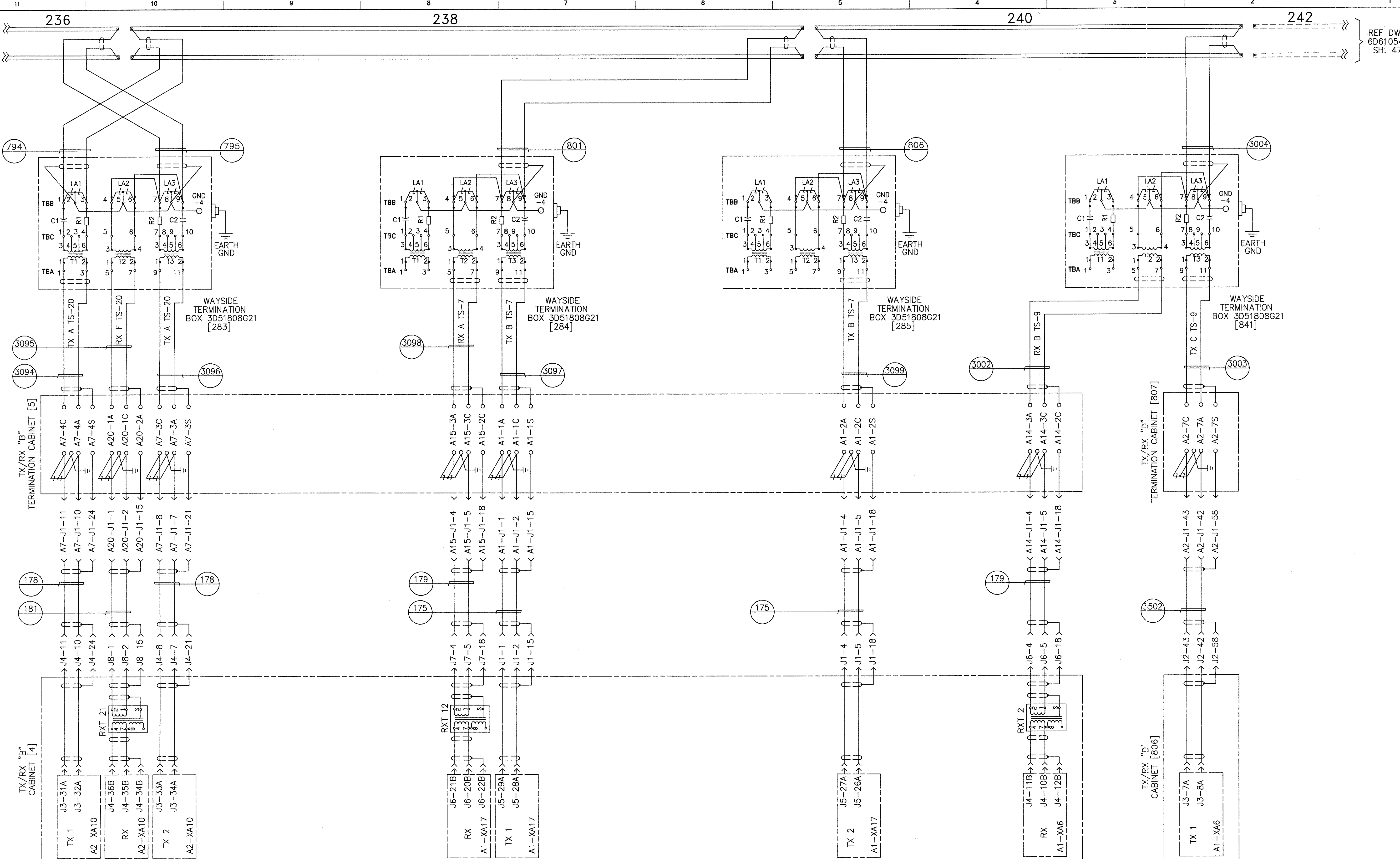
PROPRIETARY INFORMATION - SEE SHEET 1

AutoCAD

GEOMETRIC CHARACTERISTIC SYMBOLS	
FLATNESS	⏊
STRAIGHTNESS	— —
ROUNDNESS (CIRCULARITY)	⊘
CYLINDRICITY	⊘ ⊘
PROFILE OF ANY LINE	— —
PROFILE OF ANY SURFACE	— —
PARALLELISM	∥
PERPENDICULARITY (SQUARENESS)	⊥
ANGULARITY	∠
ROUNDOUT	⊖
TRUE POSITION	⊕
CONCENTRICITY	⊙
SYMMETRY	⊞
MAXIMUM MATERIAL CONDITION (MMC)	Ⓜ
REGARDLESS OF FEATURE SIZE	Ⓜ

DFTM.	J. LYNSEY	DATE	8-27-97
CHKR.			
ENGRG.	K. RYAN		
MFG.			
APPD.			
DFTG. SU. IV.	E.D. WATTY		

<b>BOMBARDIER</b>	
TITLE WAYSIDE SYSTEM SCHEMATIC	
GEORGE BUSH INTERCONTINENTAL AIRPORT-HOUSTON	
DIMENSIONS IN INCHES	
SIZE <b>D</b>	DWG. NO. <b>5D81332</b>
SCALE NONE	WT.
SHEET <b>52</b>	REV. <b>9</b>



REF DWG  
6D61054  
SH. 47

SOUTH GUIDEWAY TRANSMIT/RECEIVE (TERMINAL C)

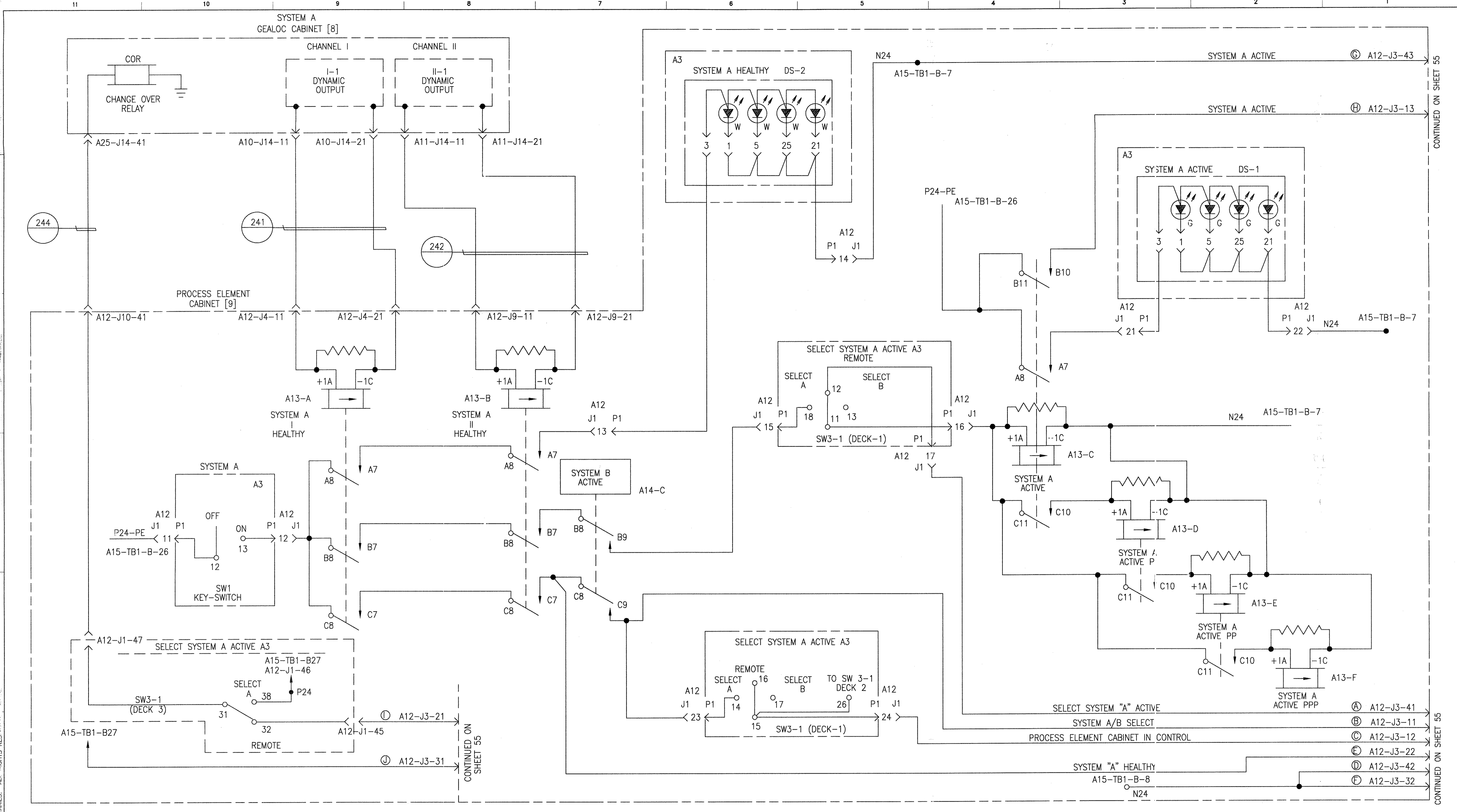
PROPRIETARY INFORMATION - SEE SHEET 1

AutoCAD

GEOMETRIC CHARACTERISTIC SYMBOLS	
[Symbol]	FLATNESS
[Symbol]	STRAIGHTNESS
[Symbol]	ROUNDNESS (CIRCULARITY)
[Symbol]	CYLINDRICITY
[Symbol]	PROFILE OF ANY LINE
[Symbol]	PROFILE OF ANY SURFACE
[Symbol]	PARALLELISM
[Symbol]	PERPENDICULARITY (SQUARENESS)
[Symbol]	ANGULARITY
[Symbol]	RUNOUT
[Symbol]	TRUE POSITION
[Symbol]	CONCENTRICITY
[Symbol]	SYMMETRY
[Symbol]	MAXIMUM MATERIAL CONDITION (MMC)
[Symbol]	REGARDLESS OF FEATURE SIZE

DFTM. J. LYNSEY	DATE 8-27-97
CHKR.	
ENGRG. K. RYAN	
MFG.	
APPD.	
DFTG. SU/V. E.D. WATTY	

<b>BOMBARDIER</b>	
TITLE WAYSIDE SYSTEM SCHEMATIC	
GEORGE BUSH INTERCONTINENTAL AIRPORT-HOUSTON	
DIMENSIONS IN INCHES	
SIZE D	DWG. NO. 5D81332
SCALE NONE	WT.
SHEET 53	REV. 9



GEALOC SYSTEM A HEALTHY AND ACTIVE SELECTION

PROPRIETARY INFORMATION - SEE SHEET 1

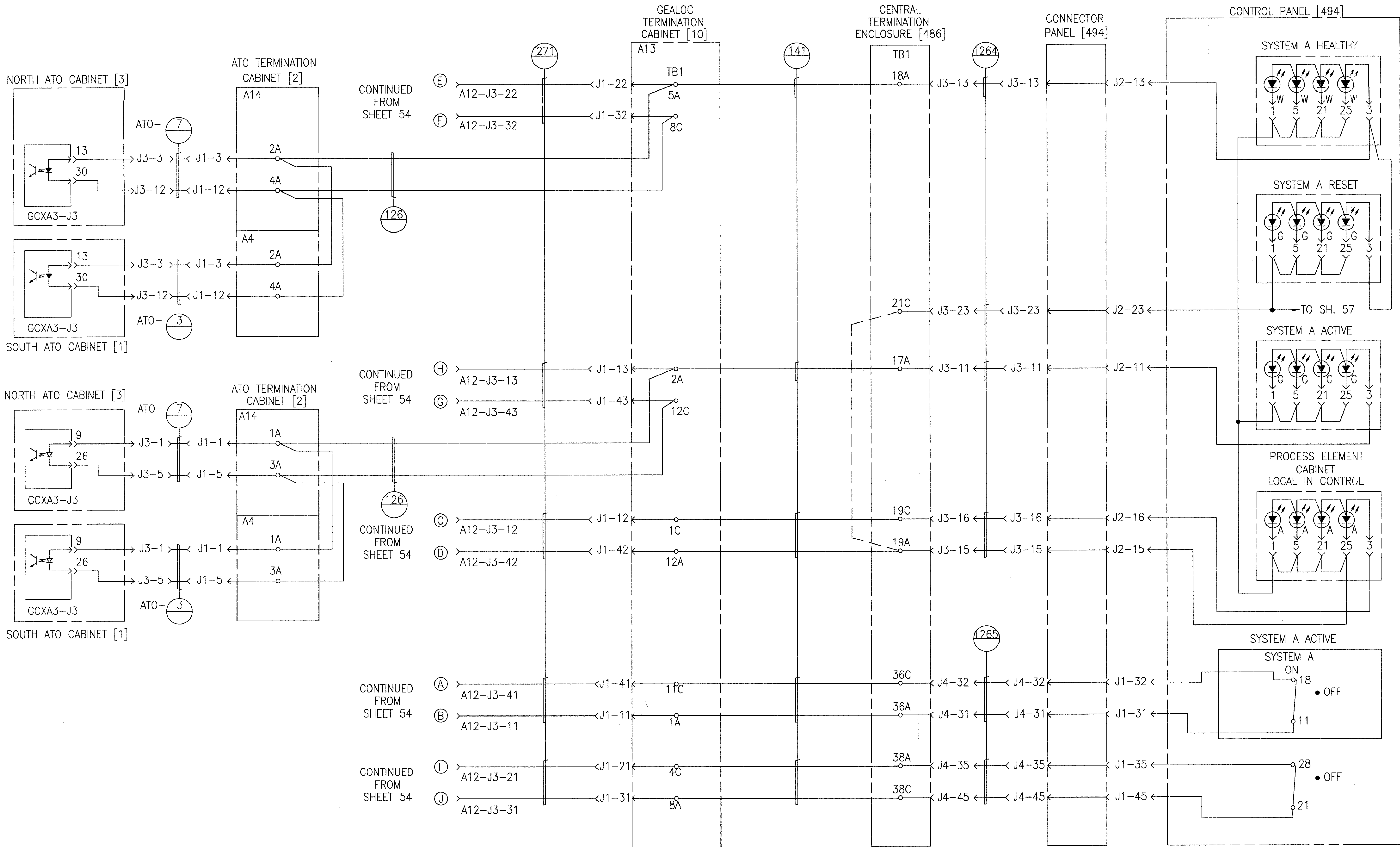
AutoCAD

GEOMETRIC CHARACTERISTIC SYMBOLS	
FLATNESS	▭
STRAIGHTNESS	▬
ROUNDNESS (CIRCULARITY)	○
CYLINDRICITY	⊘
PROFILE OF ANY LINE	⌒
PROFILE OF ANY SURFACE	⌒
PARALLELISM	∥
PERPENDICULARITY (SQUARENESS)	⊥
ANGULARITY	∠
ROUNDOUT	⌒
TRUE POSITION	⊕
CONCENTRICITY	⊙
SYMMETRY	⊞
MAXIMUM MATERIAL CONDITION (MMC)	Ⓜ
REGARDLESS OF FEATURE SIZE	Ⓜ

DFTM. J. LYNSEY	DATE 8-27-97
CHKR.	
ENGRG. K. RYAN	
MFG.	
APPD.	
DFTG. SUIV. E. D. MATTY	

<b>BOMBARDIER</b>	
TITLE WAYSIDE SYSTEM SCHEMATIC	
GEORGE BUSH INTERCONTINENTAL AIRPORT-HOUSTON	
DIMENSIONS IN INCHES	
SIZE D	DWG. NO. 5D81332
SCALE NONE	WT.
SHEET 54	REV. 9

CONTINUED ON SHEET 55

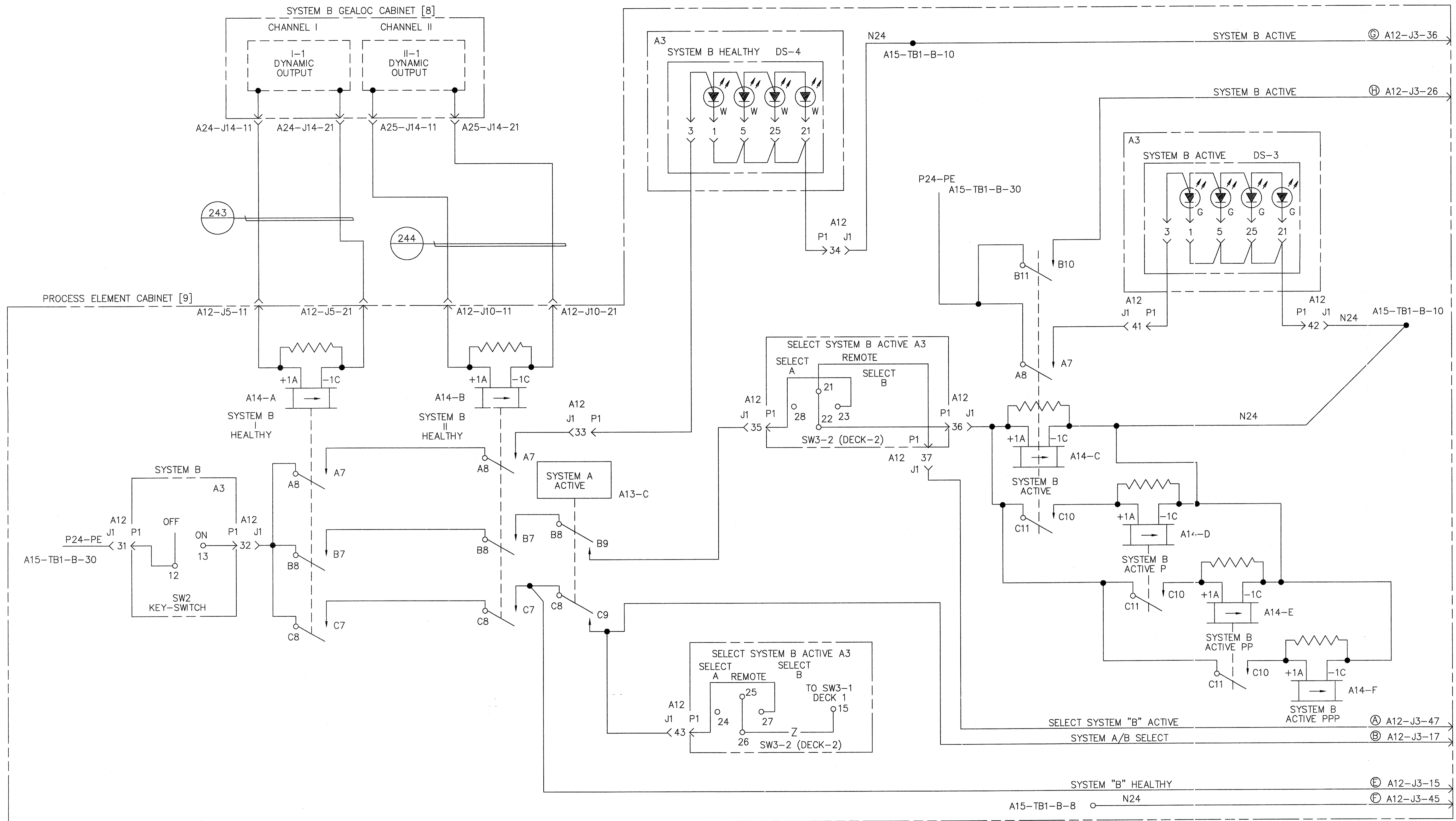


CENTRAL GEALOC INDICATIONS AND SYSTEM A SELECTION

PROPRIETARY INFORMATION - SEE SHEET 1

AutoCAD

<b>GEOMETRIC CHARACTERISTIC SYMBOLS</b> FLATNESS STRAIGHTNESS ROUNDNESS (CIRCULARITY) CYLINDRICITY PROFILE OF ANY LINE PROFILE OF ANY SURFACE PARALLELISM PERPENDICULARITY (SQUARENESS) ANGULARITY RUNOUT TRUE POSITION CONCENTRICITY SYMMETRY MAXIMUM MATERIAL CONDITION (MMC) REGARDLESS OF FEATURE SIZE		DFTM. J. LYNES/KEY CHKR. ENGRG. K. RYAN MFG. APPD. DFTG. SU-IV. E.D. WATTY	DATE 8-27-97 TITLE WAYSIDE SYSTEM SCHEMATIC GEORGE BUSH INTERCONTINENTAL AIRPORT-HOUSTON DIMENSIONS IN INCHES SIZE D DWG. NO. 5D81332 SCALE NONE WT. SHEET 55	<b>BOMBARDIER</b> REV. 9
---	--	--	---	-----------------------------



CONTINUED ON SHEET 57

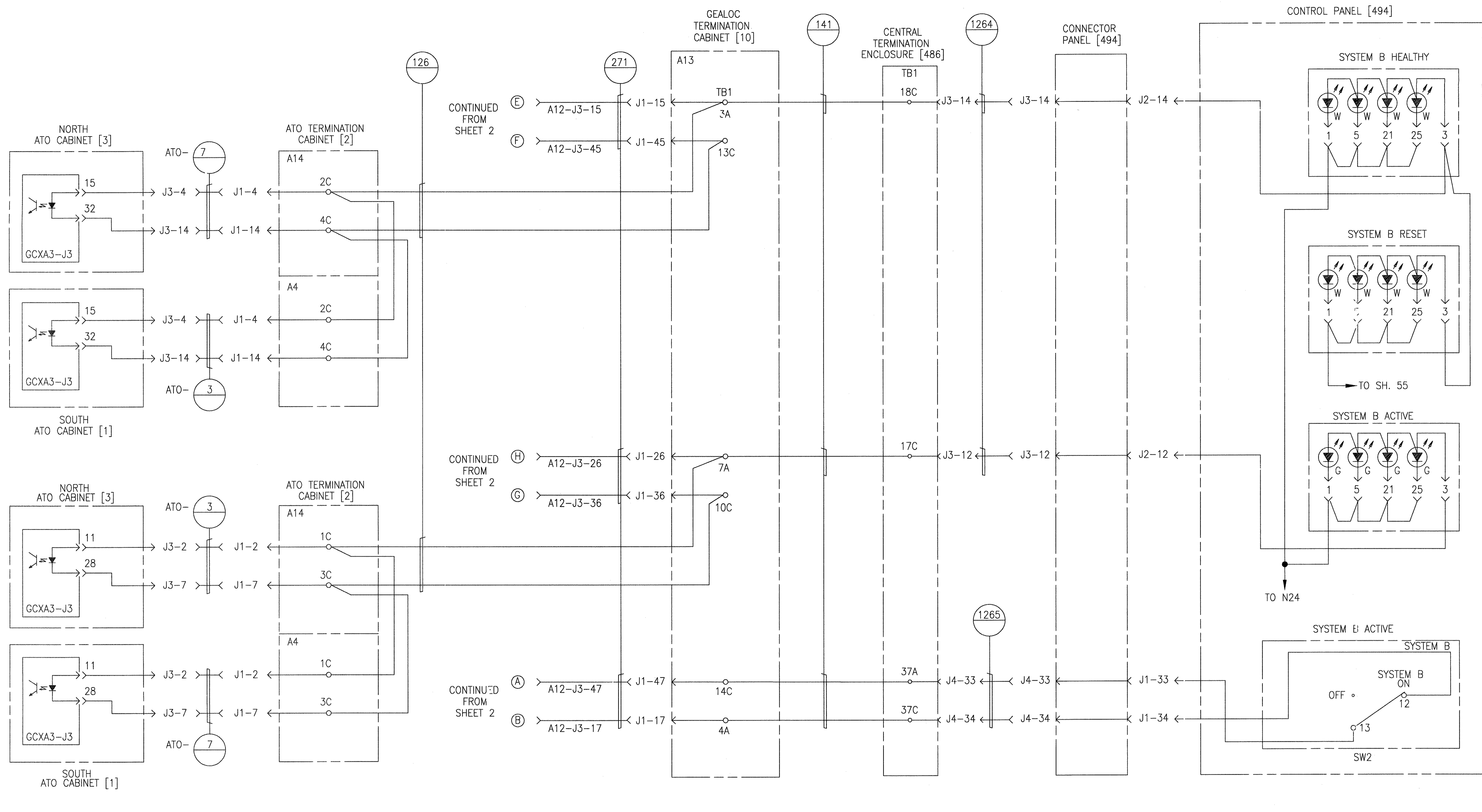
CONTINUED ON SHEET 57

### GEALOC SYSTEM B HEALTHY AND ACTIVE SELECTION

PROPRIETARY INFORMATION - SEE SHEET 1

AutoCAD

<b>GEOMETRIC CHARACTERISTIC SYMBOLS</b> FLATNESS STRAIGHTNESS ROUNDNESS (CIRCULARITY) CYLINDRICITY PROFILE OF ANY LINE PROFILE OF ANY SURFACE PARALLELISM PERPENDICULARITY (SQUARENESS) ANGULARITY RUNOUT TRUE POSITION CONCENTRICITY SYMMETRY MAXIMUM MATERIAL CONDITION (MMC) REGARDLESS OF FEATURE SIZE	DFTM. J. LYNS KEY CHKR.	DATE 9-30-97	<b>BOMBARDIER</b> TITLE WAYSIDE SYSTEM SCHEMATIC GEORGE BUSH INTERCONTINENTAL AIRPORT-HOUSTON
	ENGRG. K. RYAN MFG.	APPD.	
DWG. NO. 5D81332	REV. 9	SCALE NONE	SHEET 56



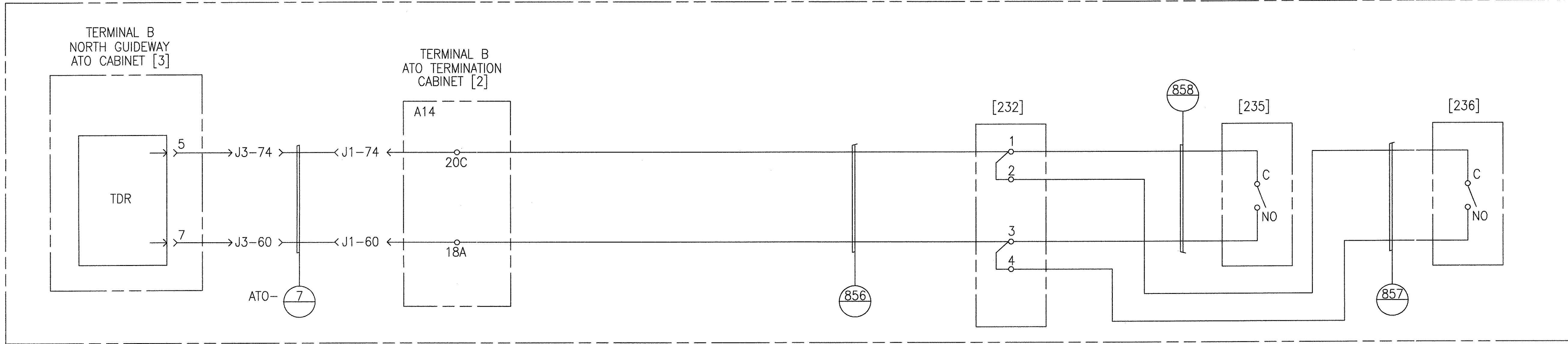
CENTRAL GEALOC INDICATIONS AND SYSTEM B SELECTOR

PROPRIETARY INFORMATION - SEE SHEET 1

AutoCAD

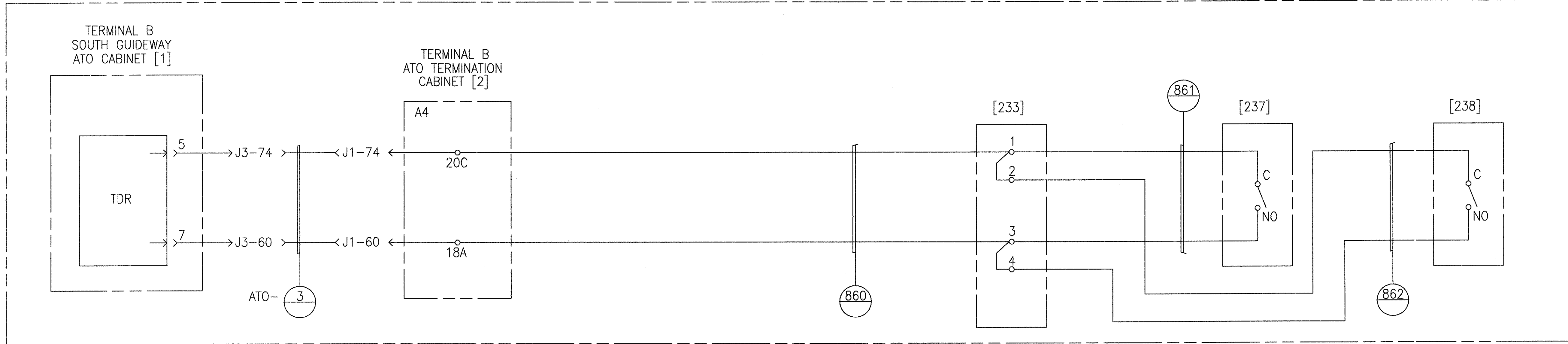
GEOMETRIC CHARACTERISTIC SYMBOLS		DFTM. DATE		BOMBARDIER	
FLATNESS		J.LYNS KEY	9-30-97	TITLE	
STRAIGHTNESS		CHKR.		WAYSIDE SYSTEM SCHEMATIC	
ROUNDNESS (CIRCULARITY)		ENGRG.		GEORGE BUSH INTERCONTINENTAL AIRPORT-HOUSTON	
CYLINDRICITY		MFG.		DIMENSIONS IN INCHES	
PROFILE OF ANY LINE		APPD.		SIZE	DWG. NO.
PROFILE OF ANY SURFACE		DFTG. SU-W.		D	5D81332
PARALLELISM		E.D. WATTY		SCALE NONE	WT.
PERPENDICULARITY (SQUARENESS)					SHEET 57
ANGULARITY					REV. 9
RUNOUT					
TRUE POSITION					
CONCENTRICITY					
SYMMETRY					
MAXIMUM MATERIAL CONDITION (MMC)					
REGARDLESS OF FEATURE SIZE					

LOCATED AT TERMINAL B



ATO FLAT TIRE INDICATIONS - NORTH GUIDEWAY

LOCATED AT TERMINAL B



ATO FLAT TIRE INDICATIONS - SOUTH GUIDEWAY

PROPRIETARY INFORMATION - SEE SHEET 1

AutoCAD

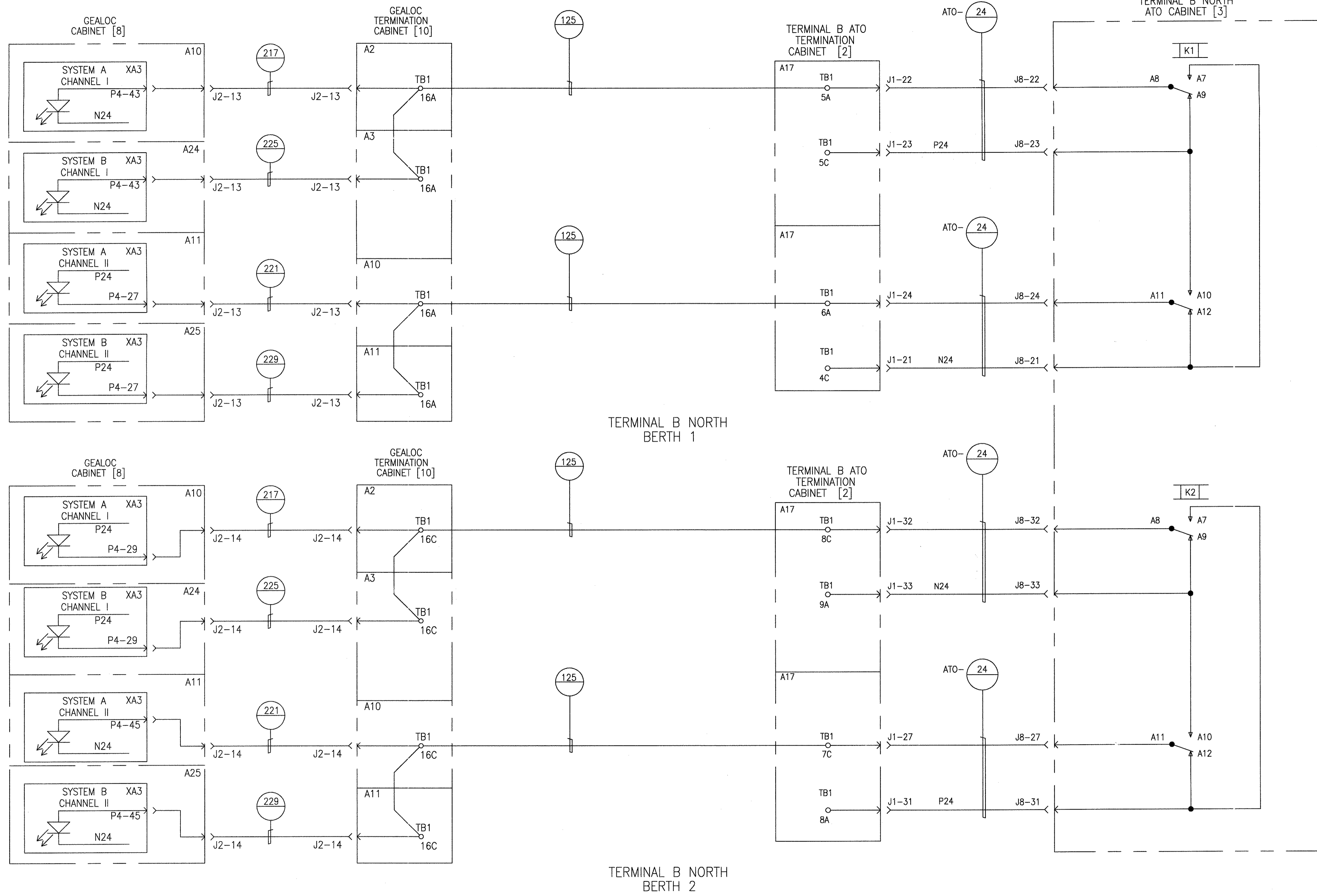
<b>GEOMETRIC CHARACTERISTIC SYMBOLS</b> FLATNESS STRAIGHTNESS ROUNDNESS (CIRCULARITY) CYLINDRICITY PROFILE OF ANY LINE PROFILE OF ANY SURFACE PARALLELISM PERPENDICULARITY (SQUARENESS) ANGULARITY RUNOUT TRUE POSITION CONCENTRICITY SYMMETRY MAXIMUM MATERIAL CONDITION (MMC) REGARDLESS OF FEATURE SIZE	DFTM. J. LYNES KEY	DATE 9-30-97	<b>BOMBARDIER</b>  TITLE WAYSIDE SYSTEM SCHEMATIC  GEORGE BUSH INTERCONTINENTAL AIRPORT-HOUSTON
	ENGRG. K. RYAN MFG.	APPD. DFTG. SU IV. E. D. WATTY	
			DWG. NO. 5D81332
			REV. 9
			SCALE NONE WT. SHEET 58

THIS SHEET INTENTIONALLY LEFT BLANK

PROPRIETARY INFORMATION - SEE SHEET 1  
AutoCAD

<b>GEOMETRIC CHARACTERISTIC SYMBOLS</b>		<b>DFTM.</b> J. WERNER		<b>DATE</b> 8/21/97		<b>BOMBARDIER</b>	
FLATNESS	▭	<b>CHKR.</b>					
STRAIGHTNESS	—	<b>ENGRG.</b>				<b>TITLE</b> WAYSIDE SYSTEM SCHEMATIC	
ROUNDNESS (CIRCULARITY)	○	<b>K. RYAN</b>				<b>GEORGE BUSH INTERCONTINENTAL AIRPORT-HOUSTON</b>	
CYLINDRICITY	⊘	<b>MFG.</b>				<b>DIMENSIONS IN INCHES</b>	
PROFILE OF ANY LINE	—	<b>APPD.</b>				<b>SIZE</b> D	<b>DWG. NO.</b> 5D81332
PROFILE OF ANY SURFACE	⌒	<b>DFTG. SU. V.</b>				<b>REV.</b> 9	
PARALLELISM	∥	<b>E.D. WATTY</b>				<b>SCALE</b> NONE	<b>WT.</b>
PERPENDICULARITY (SQUARENESS)	⊥					<b>SHEET</b> 59	
ANGULARITY	∠						
RUNOUT	⊘						
TRUE POSITION	⊕						
CONCENTRICITY	⊙						
SYMMETRY	⊖						
MAXIMUM MATERIAL CONDITION (MMC)	Ⓜ						
REGARDLESS OF FEATURE SIZE	Ⓛ						





TERMINAL B NORTH  
BERTH 1

TERMINAL B NORTH  
BERTH 2

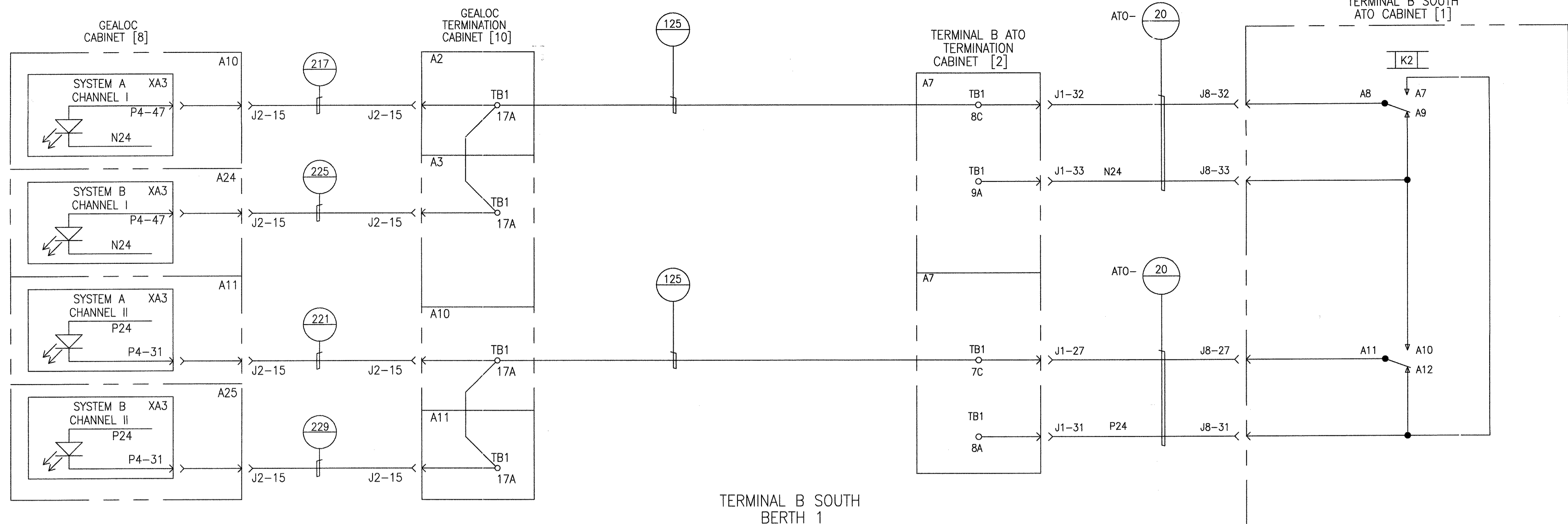
TERMINAL B NORTH PRIME POWER

NOTE:  
PRIME POWER RELAY ENERGIZED REMOVES  
"OCCUPANCY NOT" SIGNAL FROM GEALOC

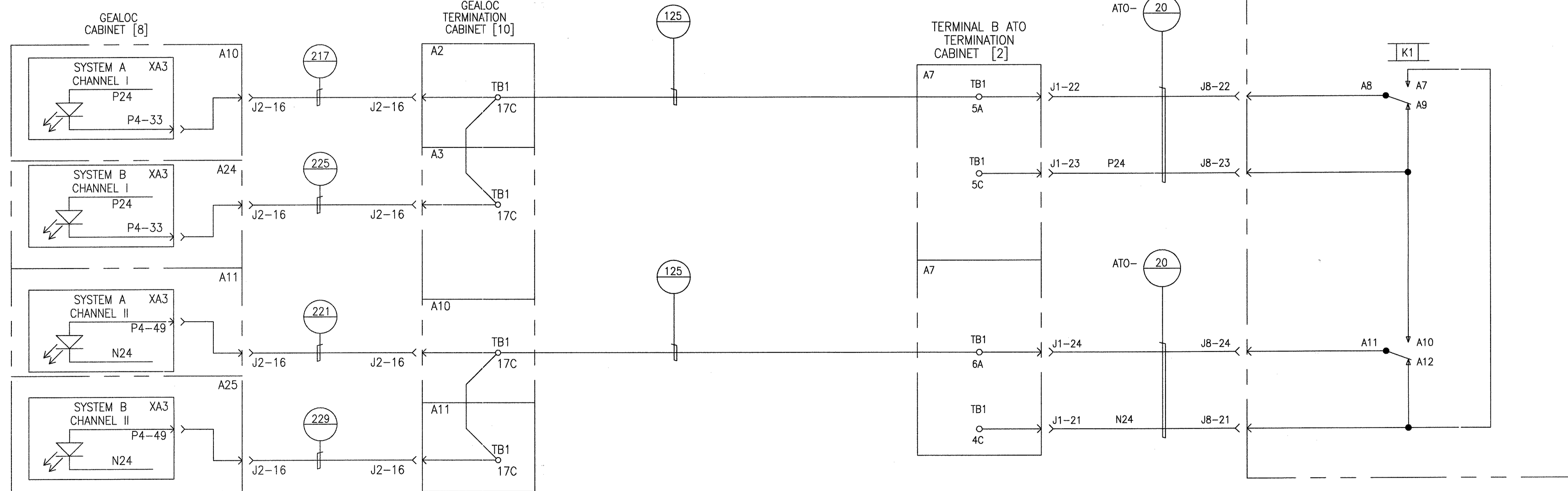
PROPRIETARY INFORMATION - SEE SHEET 1

AutoCAD

GEOMETRIC CHARACTERISTIC SYMBOLS		DFTM.	DATE	BOMBARDIER	
FLATNESS		J. WERNER	8/21/97	TITLE	
STRAIGHTNESS		CHKR.		WAYSID: SYSTEM SCHEMATIC	
ROUNDNESS (CIRCULARITY)		ENGRG.		GEORGE BUSH INTERCONTINENTAL AIRPORT-HOUSTON	
CYLINDRICITY		MFG.		DIMENSIONS IN INCHES	
PROFILE OF ANY LINE		APPD.		SIZE	DWG. NO.
PROFILE OF ANY SURFACE		DFTG. SU W.		D	5D81332
PARALLELISM		E.D. WATTY		SCALE NONE	WT.
PERPENDICULARITY (SQUARENESS)					SHEET 60
ANGULARITY					REV. 9
RUNOUT					
TRUE POSITION					
CONCENTRICITY					
SYMMETRY					
MAXIMUM MATERIAL CONDITION (MMC)					
REGARDLESS OF FEATURE SIZE					



TERMINAL B SOUTH BERTH 1



TERMINAL B SOUTH BERTH 2

TERMINAL B SOUTH PRIME POWER

NOTE:  
PRIME POWER RELAY ENERGIZED REMOVES  
"OCCUPANCY NCT" SIGNAL FROM GEALOC

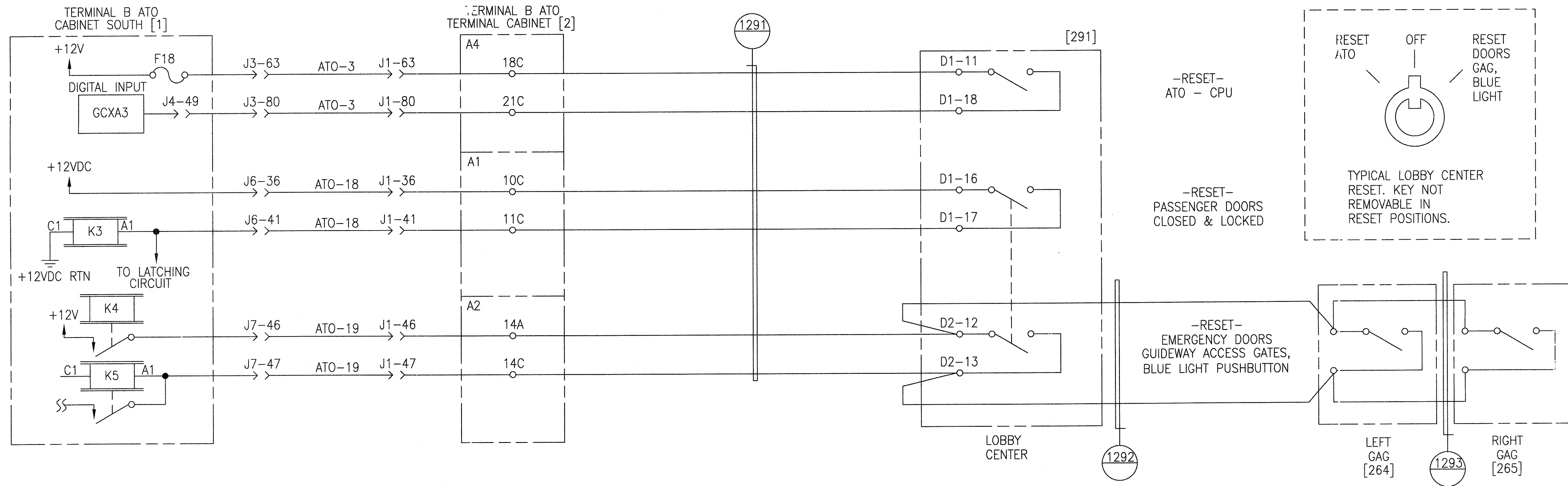
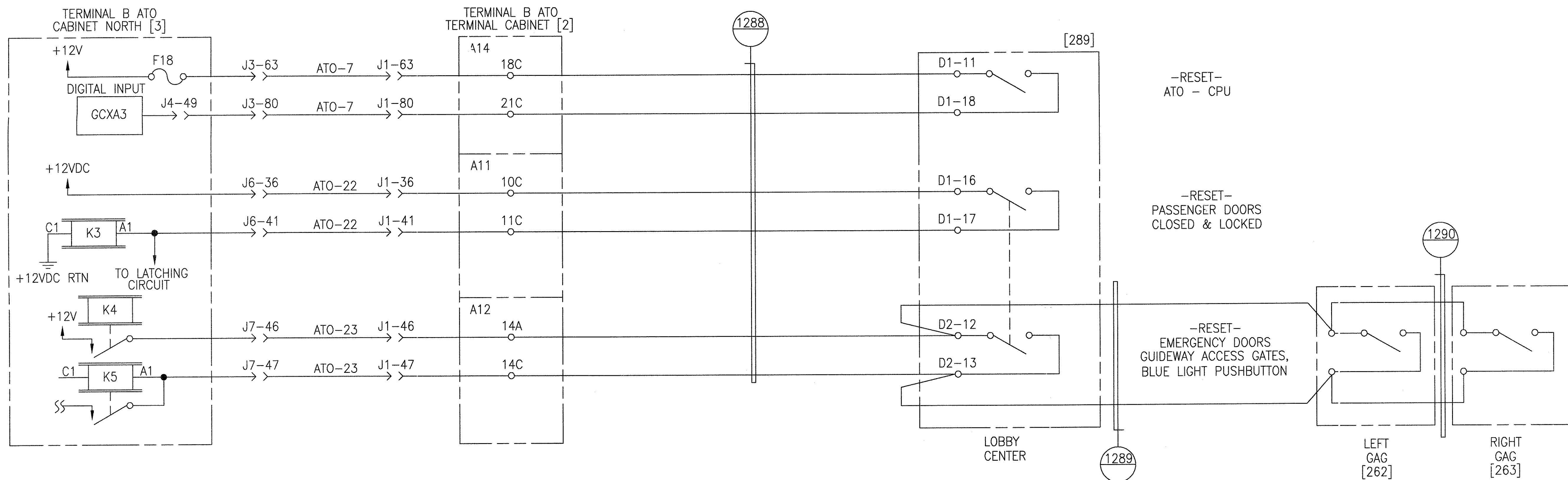
PROPRIETARY INFORMATION - SEE SHEET 1

AutoCAD

GEOMETRIC CHARACTERISTIC SYMBOLS	
FLATNESS	⊥
STRAIGHTNESS	—
ROUNDNESS (CIRCULARITY)	⊘
CYLINDRICITY	⊘
PROFILE OF ANY LINE	⊘
PROFILE OF ANY SURFACE	⊘
PARALLELISM	∥
PERPENDICULARITY (SQUARENESS)	⊥
ANGULARITY	∠
IRREGULARITY	⊥
TRUE POSITION	⊥
CONCENTRICITY	⊥
SYMMETRY	⊥
MAXIMUM MATERIAL CONDITION (MMC)	⊥
REGARDLESS OF FEATURE SIZE	⊥

DFTM. J. WERNER	DATE 8/21/97
CHKR.	
ENGRG. K. RYAN	
MFG.	
APPD.	
DFTG. SU/IV. E.D. WATTY	

<b>BOMBARDIER</b>	
TITLE WAYSIDE SYSTEM SCHEMATIC	
GEORGE BUSH INTERCONTINENTAL AIRPORT-HOUSTON	
DIMENSIONS IN INCHES	
SIZE D	DWG. NO. 5D81332
SCALE NONE	REV. 9
WT.	SHEET 61



TERMINAL B LOBBY RESET SWITCHES

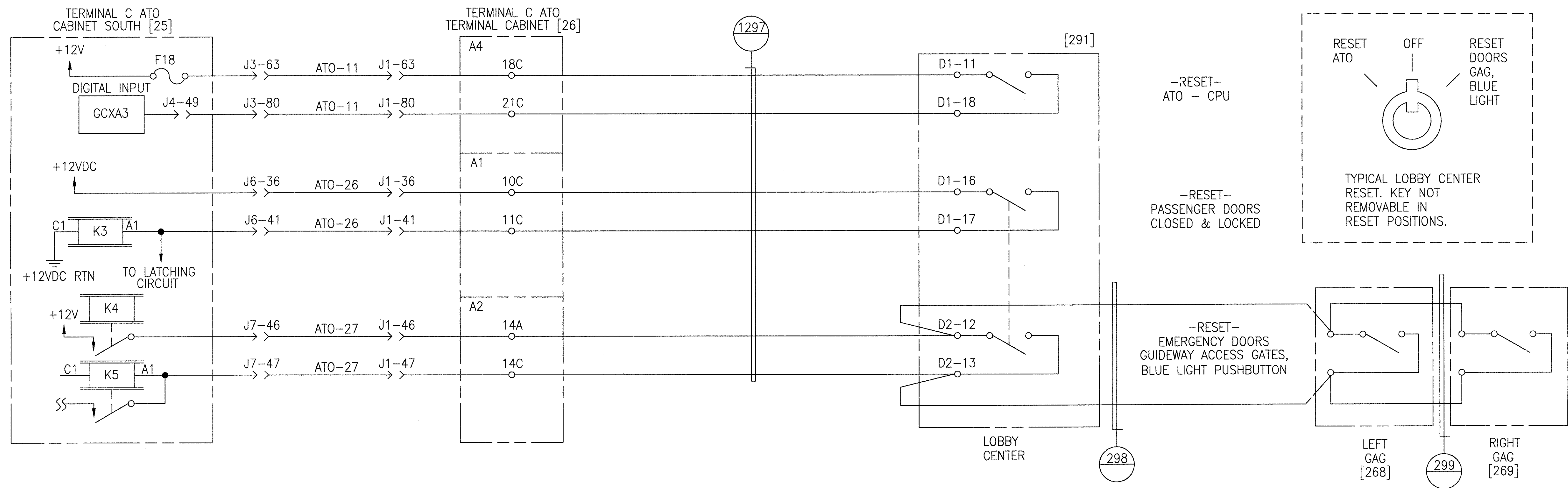
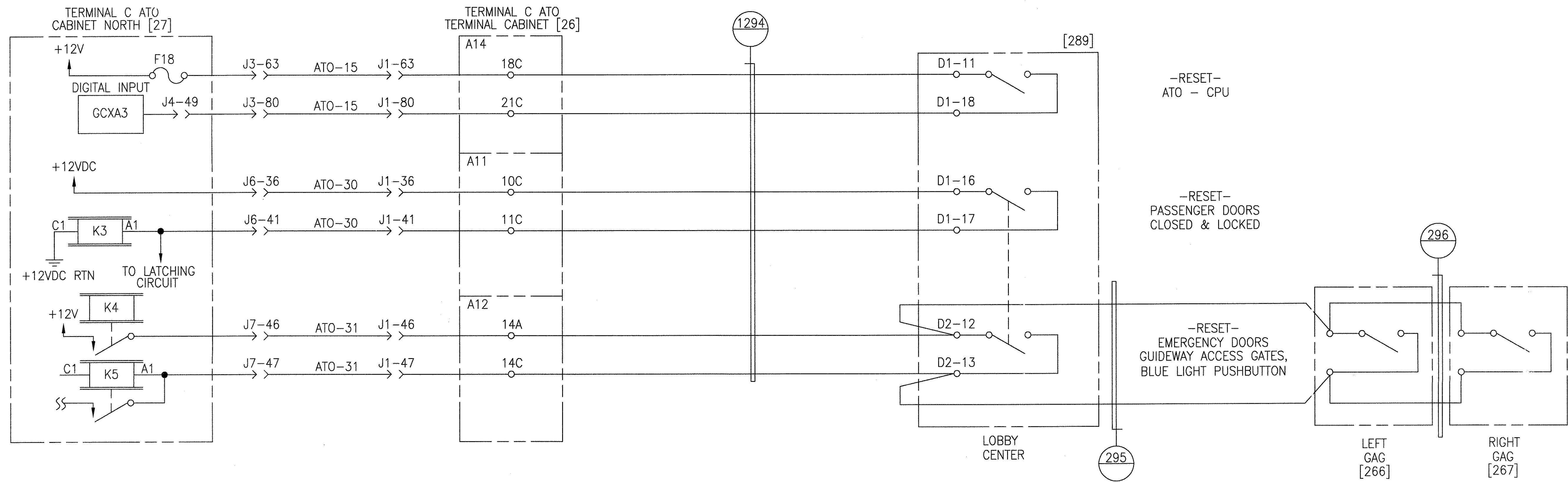
PROPRIETARY INFORMATION - SEE SHEET 1

AutoCAD

GEOMETRIC CHARACTERISTIC SYMBOLS	
FLATNESS	▭
STRAIGHTNESS	—
ROUNDNESS (CIRCULARITY)	○
CYLINDRICITY	⊘
PROFILE OF ANY LINE	—
PROFILE OF ANY SURFACE	—
PARALLELISM	∥
PERPENDICULARITY (SQUARENESS)	⊥
ANGULARITY	∠
RUNOUT	↻
TRUE POSITION	⊕
CONCENTRICITY	⊗
SYMMETRY	⊞
MAXIMUM MATERIAL CONDITION (MMC)	Ⓜ
REGARDLESS OF FEATURE SIZE	Ⓛ

DFTM. J. LYNKEY	DATE 1-19-98
CHKR.	
ENGRG. K. RYAN	
MFG.	
APPD.	
DFTG. SUPV. E.D. NATTY	

<b>BOMBARDIER</b>	
TITLE WAYSIDE SYSTEM SCHEMATIC	
GEORGE BUSH INTERCONTINENTAL AIRPORT-HOUSTON	
DIMENSIONS IN INCHES	
SIZE D	DWG. NO. 5D81332
SCALE NONE	WT.
SHEET 62	REV. 9

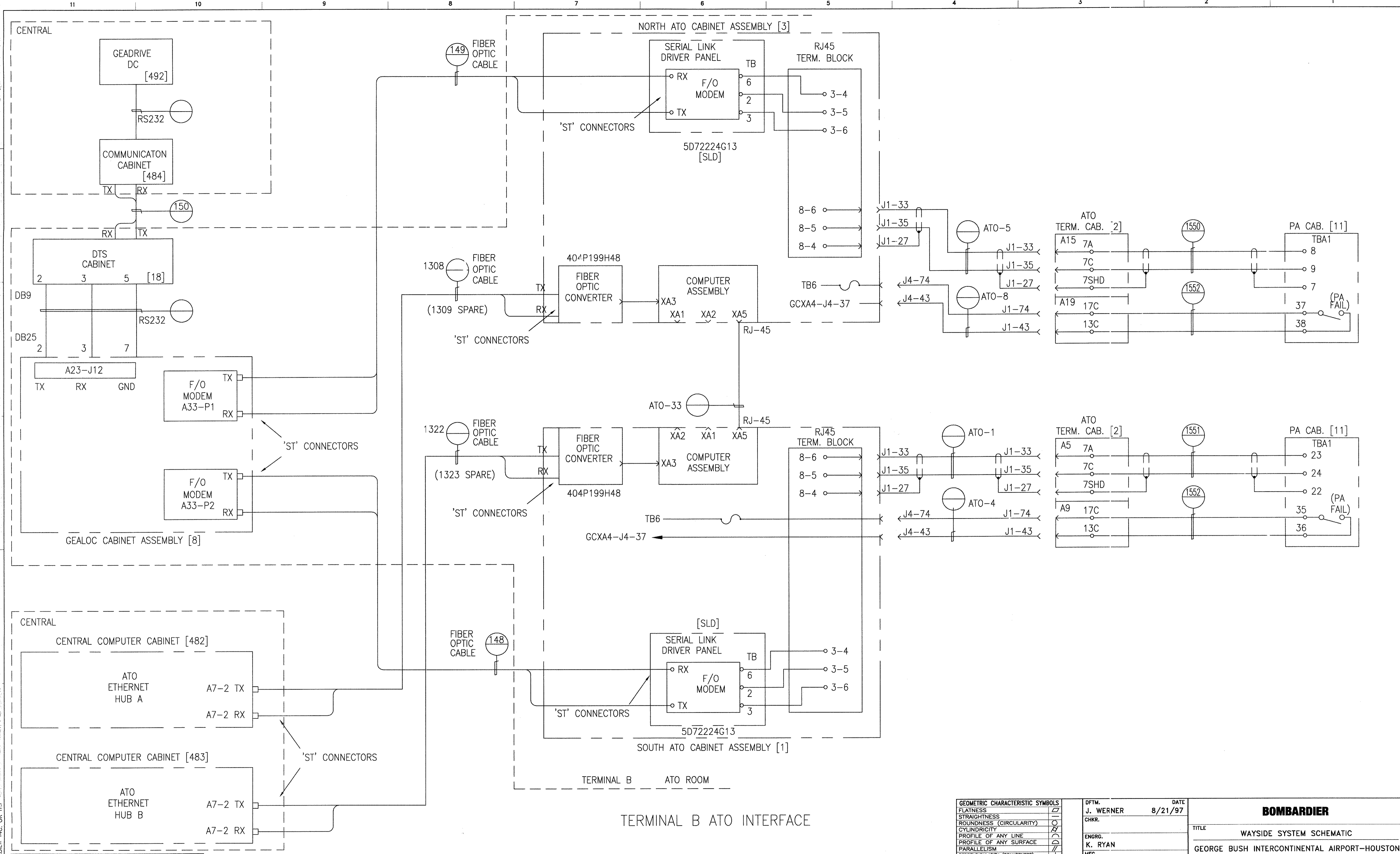


TERMINAL C LOBBY RESET SWITCHES

PROPRIETARY INFORMATION - SEE SHEET 1

AutoCAD

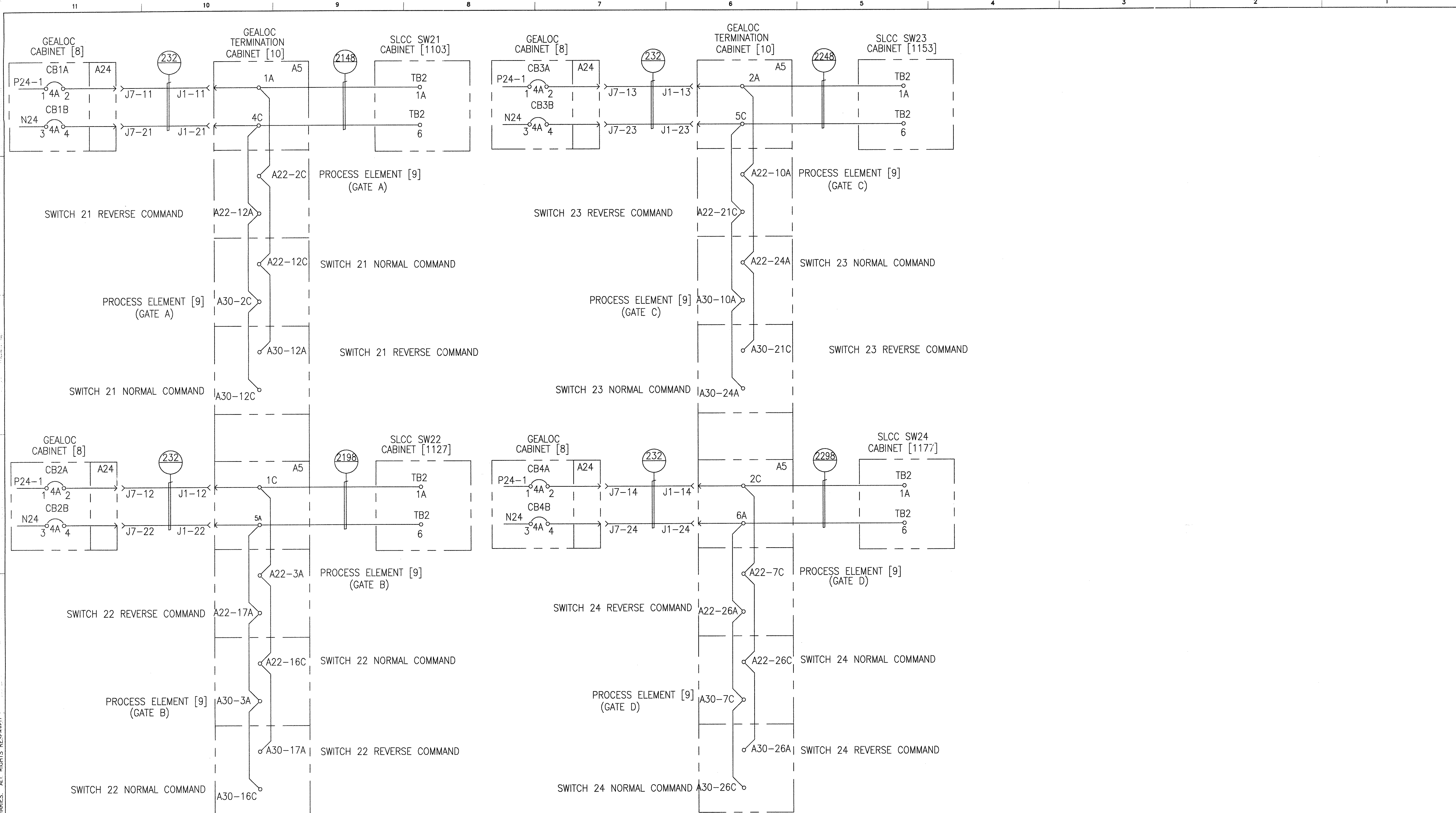
<b>GEOMETRIC CHARACTERISTIC SYMBOLS</b> FLATNESS STRAIGHTNESS ROUNDNESS (CIRCULARITY) CYLINDRICITY PROFILE OF ANY LINE PROFILE OF ANY SURFACE PARALLELISM PERPENDICULARITY (SQUARENESS) ANGULARITY RUNOUT TRUE POSITION CONCENTRICITY SYMMETRY MAXIMUM MATERIAL CONDITION (MMC) REGARDLESS OF FEATURE SIZE	DFTM. J. LYN:KEY CHKR.	DATE 1-19-98	<b>BOMBARDIER</b> TITLE WAYSIDE SYSTEM SCHEMATIC GEORGE BUSH INTERCONTINENTAL AIRPORT-HOUSTON DIMENSIONS IN INCHES SIZE D DWG. NO. 5D81332 SCALE NONE WT. SHEET 63
	ENGRG. K. RYAN MFG. APPD. DFTG. SU'V. E.D. MATTY	REV. 9	



PROPRIETARY INFORMATION - SEE SHEET 1

AutoCAD

GEOMETRIC CHARACTERISTIC SYMBOLS		DFTM.	DATE	BOMBARDIER	
FLATNESS	—	J. WERNER	8/21/97	TITLE	
STRAIGHTNESS	—	CHKR.		WAYSIDE SYSTEM SCHEMATIC	
ROUNDNESS (CIRCULARITY)	—	ENGRG.		GEORGE BUSH INTERCONTINENTAL AIRPORT-HOUSTON	
CYLINDRICITY	—	MFG.		DIMENSIONS IN INCHES	
PROFILE OF ANY LINE	—	APPD.		SCALE NONE	WT.
PROFILE OF ANY SURFACE	—	DFTG. SUIV.		DWG. NO. 5D81332	
PARALLELISM	—	E.D. WATTY		REV. 9	
PERPENDICULARITY (SQUARENESS)	—			SHEET 64	
ANGULARITY	—				
ROUNDOUT	—				
TRUE POSITION	—				
CONCENTRICITY	—				
SYMMETRY	—				
MAXIMUM MATERIAL CONDITION (MMC)	—				
REGARDLESS OF FEATURE SIZE	—				

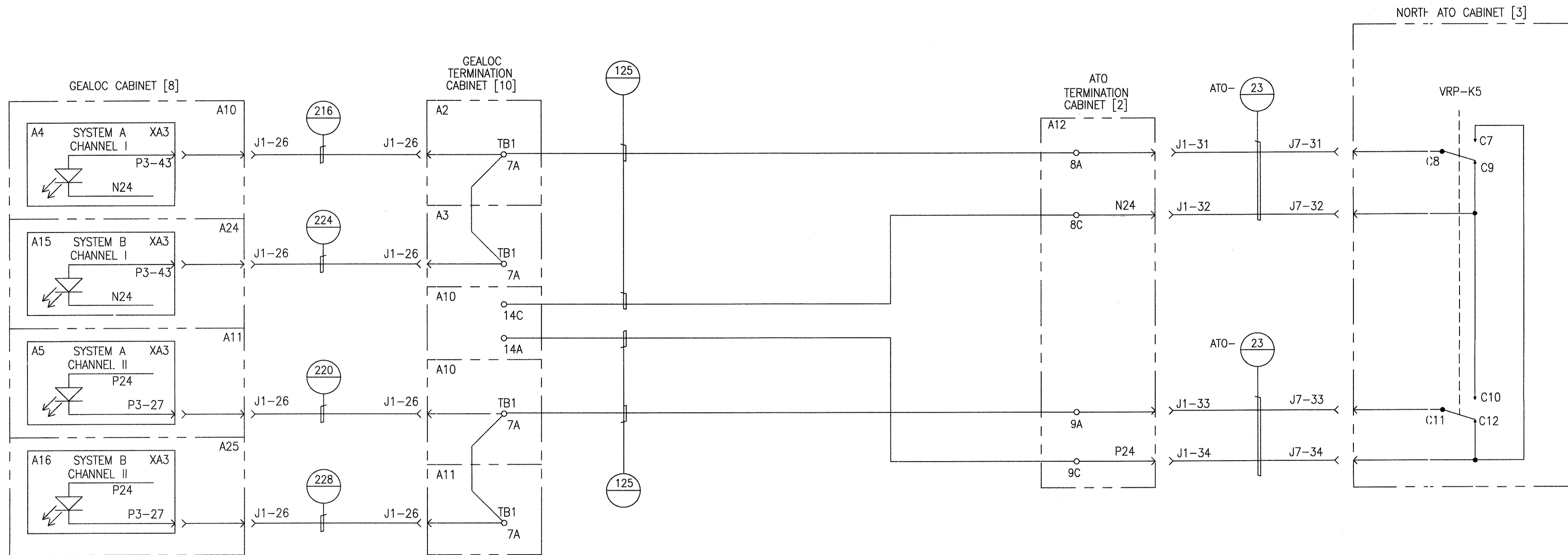


GEALOC POWER DISTRIBUTION - P24 - SLCC 21, 22, 23 & 24  
STATION GEALOC

PROPRIETARY INFORMATION - SEE SHEET 1

AutoCAD

<b>GEOMETRIC CHARACTERISTIC SYMBOLS</b> FLATNESS STRAIGHTNESS ROUNDNESS (CIRCULARITY) CYLINDRICITY PROFILE OF ANY LINE PROFILE OF ANY SURFACE PARALLELISM PERPENDICULARITY (SQUARENESS) ANGULARITY RUNOUT TRUE POSITION CONCENTRICITY SYMMETRY MAXIMUM MATERIAL CONDITION (MMC) REGARDLESS OF FEATURE SIZE	DFTM. J. WEINER	DATE 8/21/97	<b>BOMBARDIER</b>  TITLE WAYSIDE SYSTEM SCHEMATIC  GEORGE BUSH INTERCONTINENTAL AIRPORT-HOUSTON		
	ENGRG. K. RYAN MFG.	APPD.		DIMENSIONS IN INCHES SIZE D	DWG. NO. 5D81332
REV. NO.	DFTG. SUPV. E.D. MATTY	SCALE NONE	WT.	SHEET 65	REV.



EMERGENCY DOORS, GUIDEWAY ACCESS GATES  
CLOSED AND LOCKED INTERFACE AND BLUE LIGHT STATIONS

NOTE:

RELAY K5 ENERGIZED ENABLES THE GEALOC CIRCUITRY.

TERMINAL B - NORTH STATION  
ATO TO GEALOC INDICATIONS

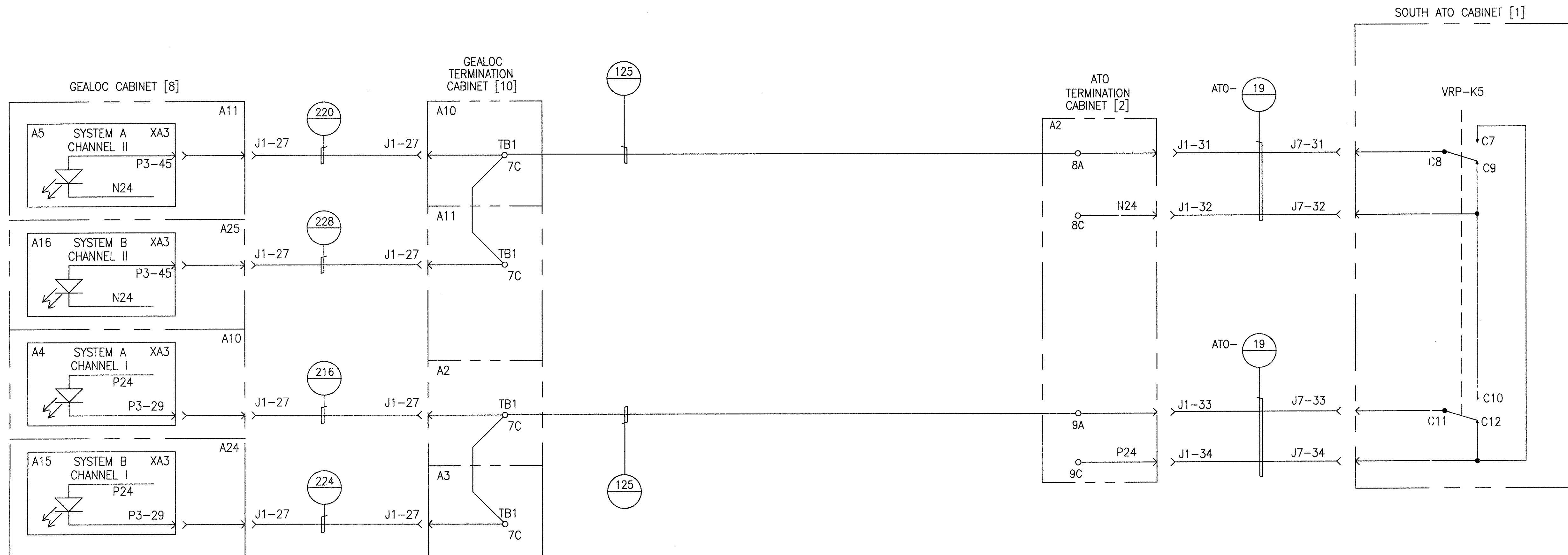
PROPRIETARY INFORMATION - SEE SHEET 1

AutoCAD

GEOMETRIC CHARACTERISTIC SYMBOLS	
FLATNESS	▭
STRAIGHTNESS	—
ROUNDNESS (CIRCULARITY)	○
CYLINDRICITY	⊘
PROFILE OF ANY LINE	⌒
PROFILE OF ANY SURFACE	⌒
PARALLELISM	∥
PERPENDICULARITY (SQUARENESS)	⊥
ANGULARITY	∠
ROUNDOUT	⊖
TRUE POSITION	⊕
CONCENTRICITY	⊙
SYMMETRY	⊞
MAXIMUM MATERIAL CONDITION (MMC)	Ⓜ
REGARDLESS OF FEATURE SIZE	Ⓛ

DFTM. J.LYNSKEY	DATE 11-24-97
CHKR.	
ENGRG. K. RYAN	
MFG.	
APPD.	
DFTG. SU/IV. E.D. WATTY	

<b>BOMBARDIER</b>	
TITLE WAYSIDE SYSTEM SCHEMATIC	
GEORGE BUSH INTERCONTINENTAL AIRPORT-HOUSTON	
DIMENSIONS IN INCHES	
SIZE D	DWG. NO. 5D81332
SCALE NONE	REV. 9
WT.	SHEET 66



EMERGENCY DOORS, GUIDEWAY ACCESS GATES  
CLOSED AND LOCKED INTERFACE AND BLUE LIGHT STATIONS

NOTE:

RELAY K5 ENERGIZED ENABLES THE GEALOC CIRCUITRY.

TERMINAL B - SOUTH STATION  
ATO TO GEALOC INDICATIONS

PROPRIETARY INFORMATION - SEE SHEET 1

AutoCAD

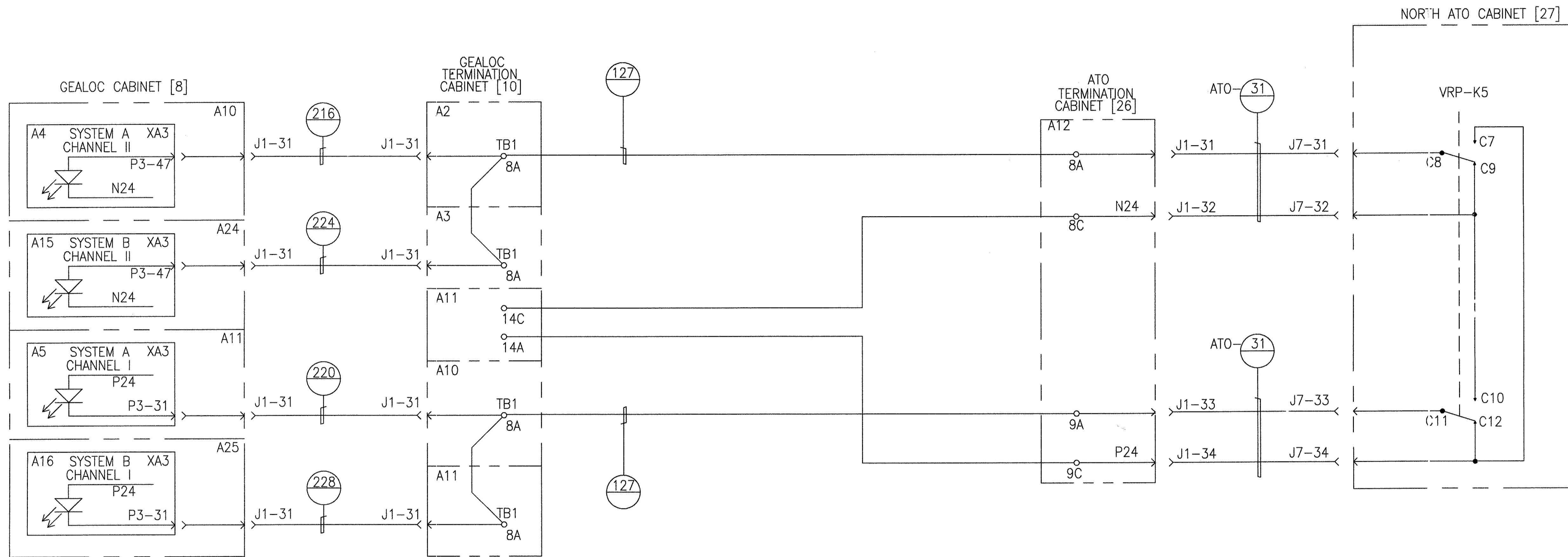
REV. NO. 1 2 3 4 5

GEOMETRIC CHARACTERISTIC SYMBOLS	
FLATNESS	▭
STRAIGHTNESS	▬
ROUNDNESS (CIRCULARITY)	⊘
CYLINDRICITY	⊘
PROFILE OF ANY LINE	⌒
PROFILE OF ANY SURFACE	⌒
PARALLELISM	∥
PERPENDICULARITY (SQUARENESS)	⊥
ANGULARITY	∠
RUNOUT	⊖
TRUE POSITION	⊕
CONCENTRICITY	⊕
SYMMETRY	⊕
MAXIMUM MATERIAL CONDITION (MMC)	Ⓜ
REGARDLESS OF FEATURE SIZE	Ⓜ

DFTM. J. LYNES KEY	DATE 11-24-97
CHKR.	
ENGRG. K. RYAN	
MFG.	
APPD.	
DFTG. SU. W. E. D. WATTY	

<b>BOMBARDIER</b>	
TITLE WAYSIDE SYSTEM SCHEMATIC	
GEORGE BUSH INTERCONTINENTAL AIRPORT-HOUSTON	
DIMENSIONS IN INCHES	
SIZE D	DWG. NO. 5D81332
SCALE NONE	REV. 9
WT.	SHEET 67





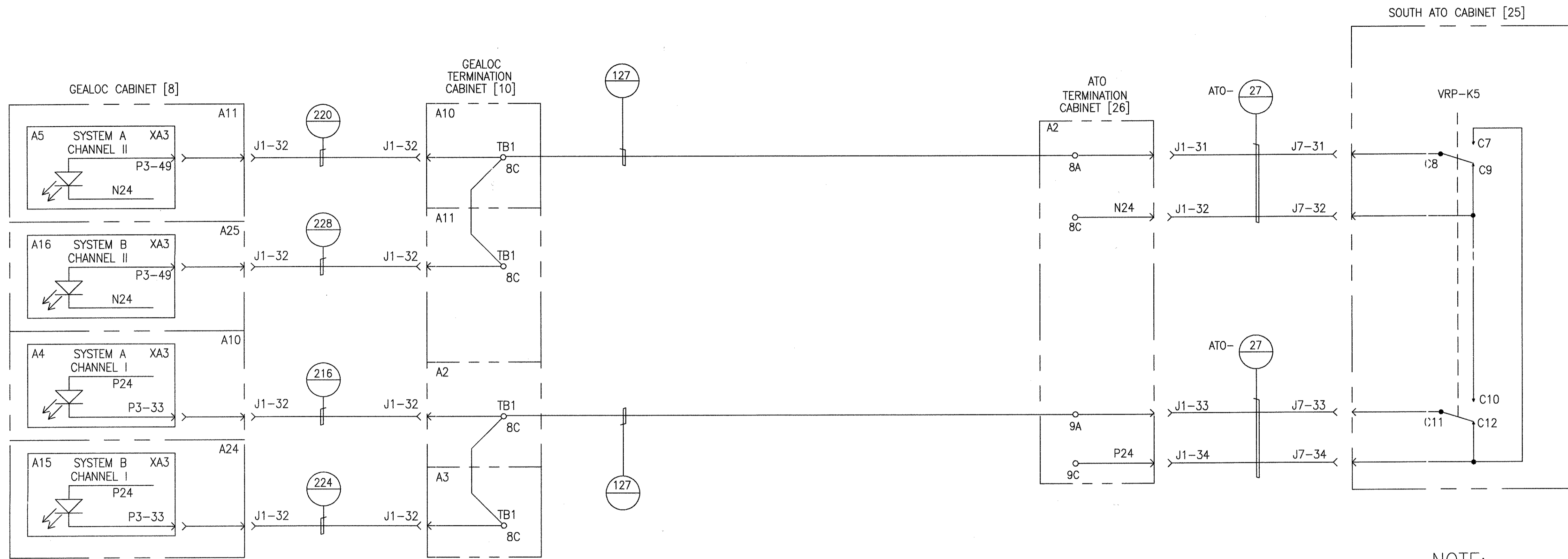
EMERGENCY DOORS, GUIDEWAY ACCESS GATES  
CLOSED AND LOCKED INTERFACE AND BLUE LIGHT STATIONS

**NOTE:**  
RELAY K5 ENERGIZED ENABLES THE GEALOC CIRCUITRY.

TERMINAL C - NORTH STATION  
ATO TO GEALOC INDICATIONS

PROPRIETARY INFORMATION - SEE SHEET 1  
AutoCAD

GEOMETRIC CHARACTERISTIC SYMBOLS		DFTM.	DATE	BOMBARDIER	
FLATNESS	▭	J.LYNSKEY	11-24-97	TITLE	
STRAIGHTNESS	▭	CHKR.		WAYSIDE SYSTEM SCHEMATIC	
ROUNDNESS (CIRCULARITY)	○	ENGRG.		GEORGE BUSH INTERCONTINENTAL AIRPORT-HOUSTON	
CYLINDRICITY	○	MFG.		DIMENSIONS IN INCHES	
PROFILE OF ANY LINE	△	APPD.		SIZE	D
PROFILE OF ANY SURFACE	△	DFTG. SU-W.		DWG. NO.	5D81332
PARALLELISM	∥	E.D. WATTY		REV.	9
PERPENDICULARITY (SQUARENESS)	⊥			SCALE	NONE
ANGULARITY	∠			WT.	
RUNOUT	↗			SHEET	68
TRUE POSITION	⊕				
CONCENTRICITY	⊙				
SYMMETRY	⊞				
MAXIMUM MATERIAL CONDITION (MMC)	Ⓜ				
REGARDLESS OF FEATURE SIZE	Ⓛ				



NOTE:  
RELAY K5 ENERGIZED ENABLES THE GEALOC CIRCUITRY.

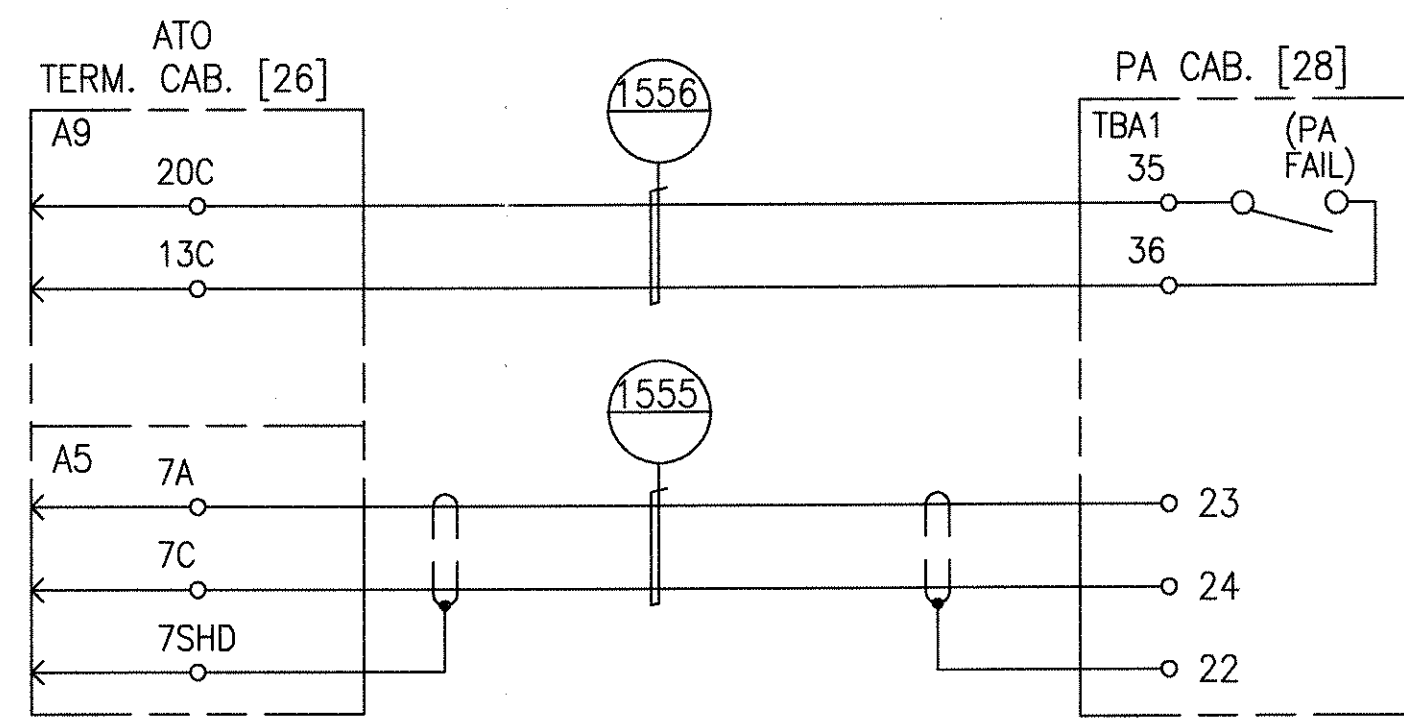
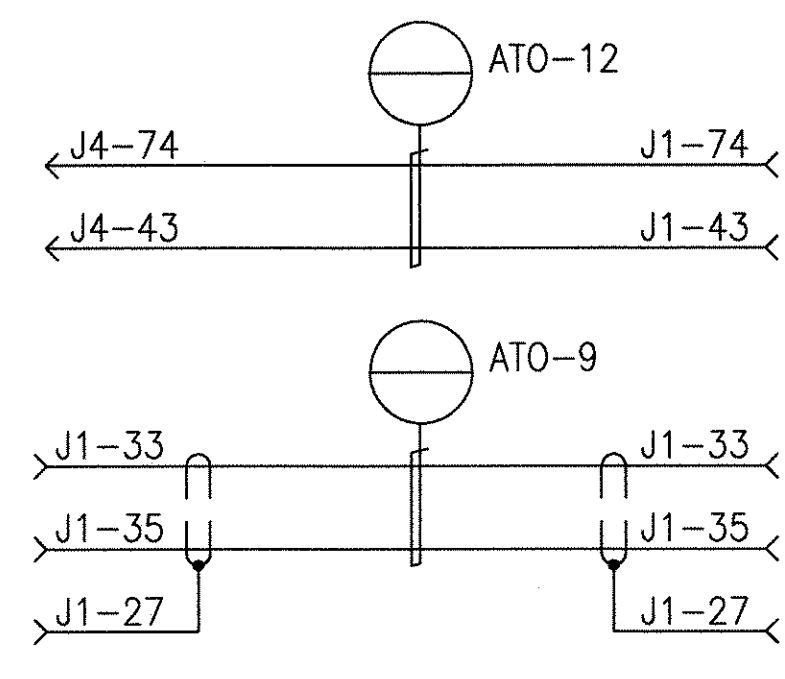
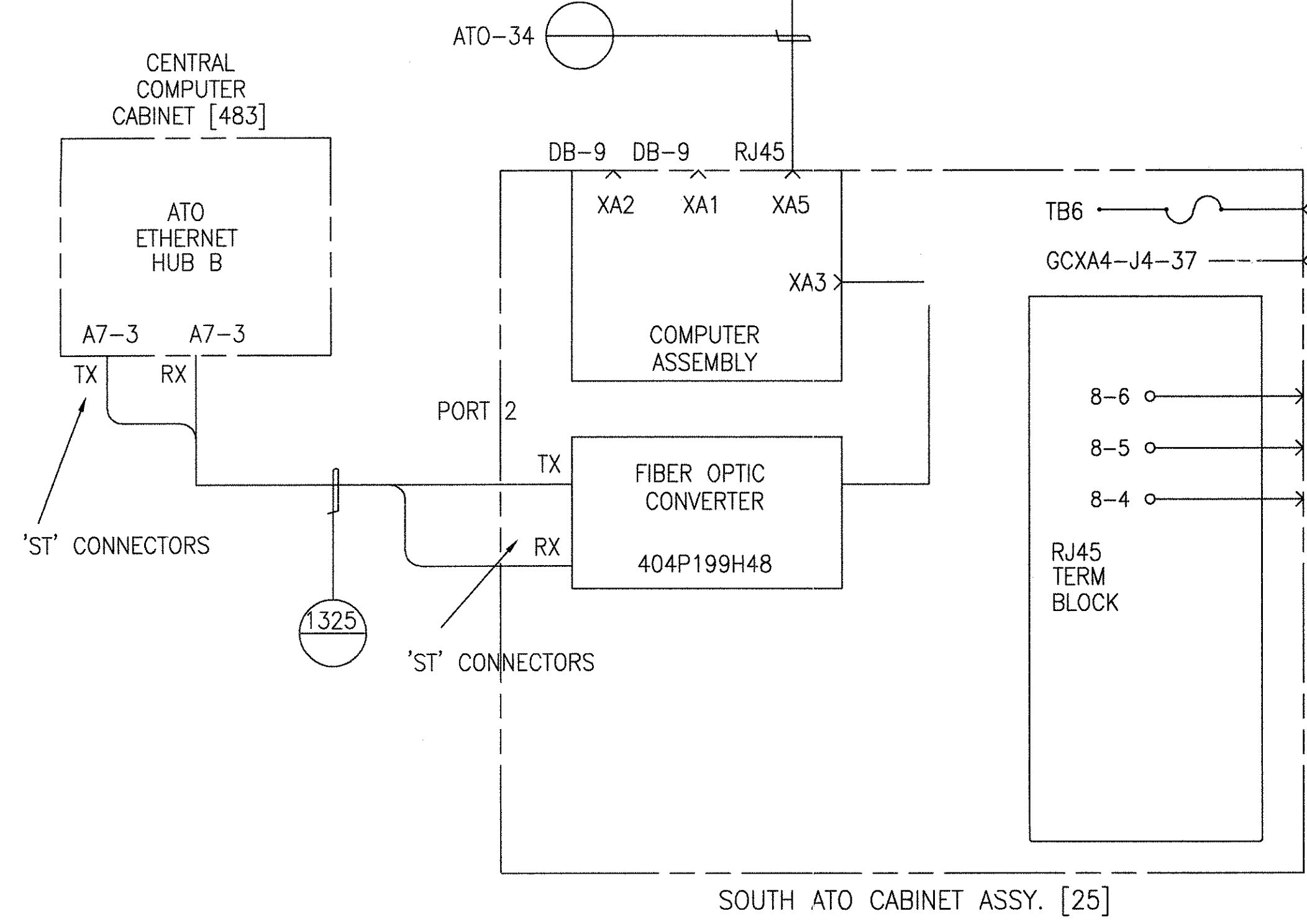
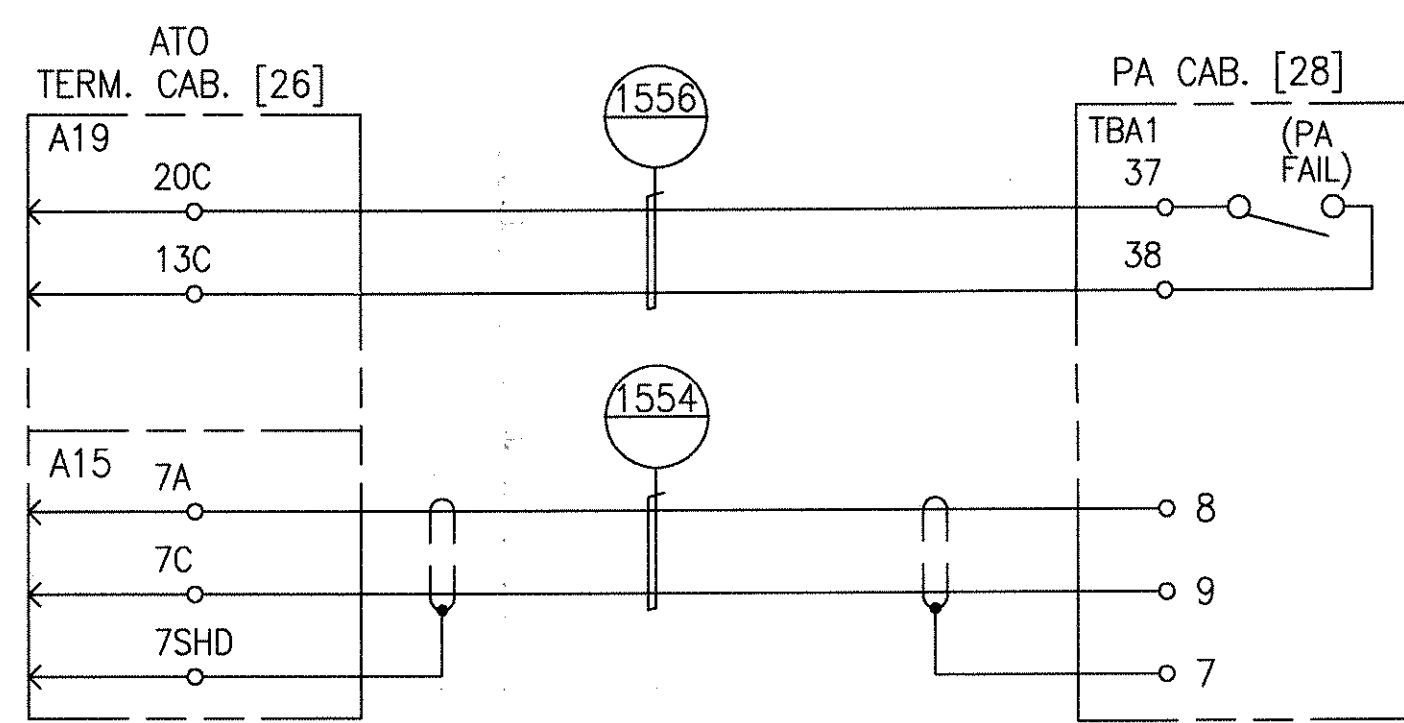
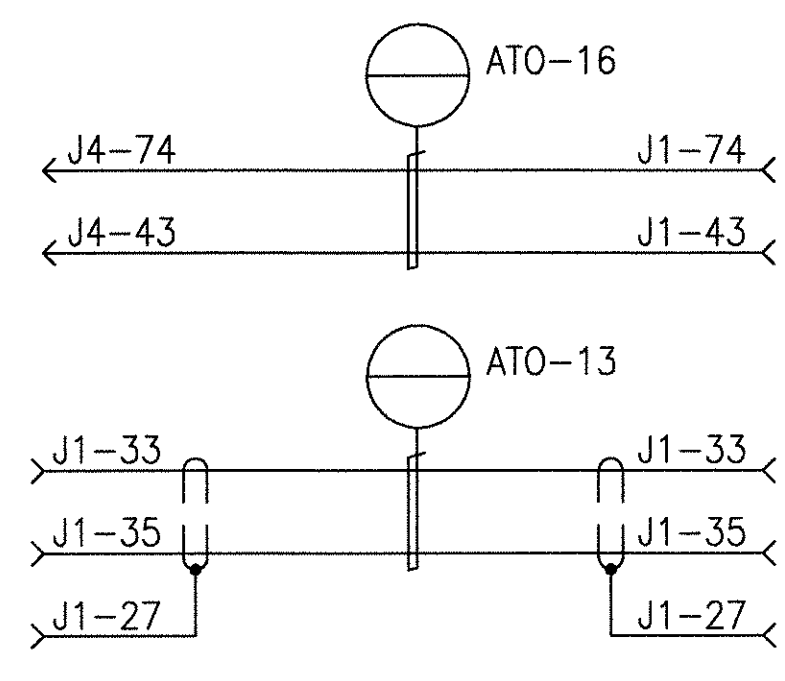
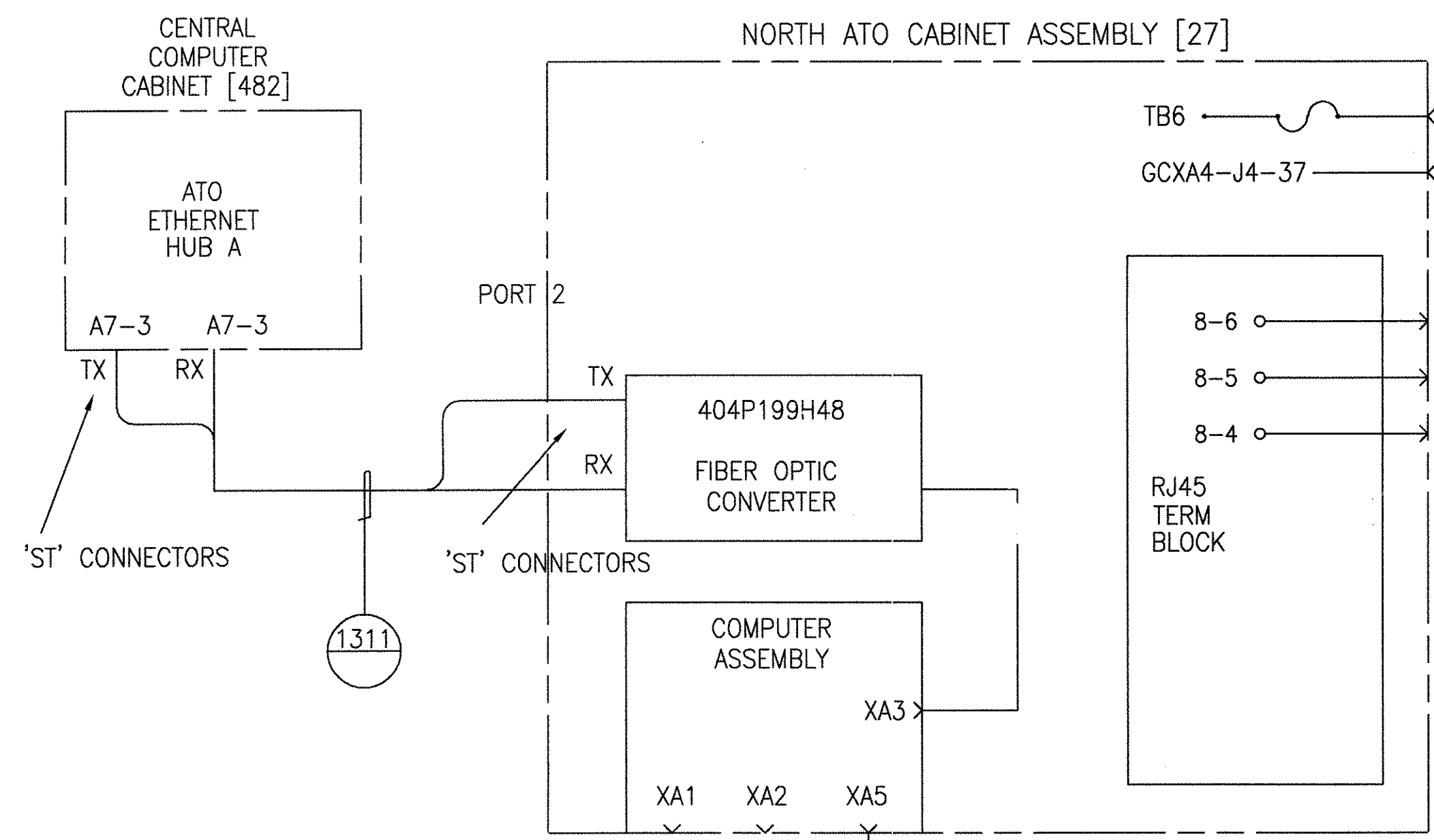
EMERGENCY DOORS, GUIDEWAY ACCESS GATES  
CLOSED AND LOCKED INTERFACE AND BLUE LIGHT STATIONS

TERMINAL C - SOUTH STATION  
ATO TO GEALOC INDICATIONS

PROPRIETARY INFORMATION - SEE SHEET 1

AutoCAD

<b>GEOMETRIC CHARACTERISTIC SYMBOLS</b> FLATNESS STRAIGHTNESS ROUNDNESS (CIRCULARITY) CYLINDRICITY PROFILE OF ANY LINE PROFILE OF ANY SURFACE PARALLELISM PERPENDICULARITY (SQUARENESS) ANGULARITY RUNOUT TRUE POSITION CONCENTRICITY SYMMETRY MAXIMUM MATERIAL CONDITION (MMC) REGARDLESS OF FEATURE SIZE	DFTM. J. LYNES KEY CHKR.	DATE 11-24-97	<b>BOMBARDIER</b>
	ENGRG. K. RYAN MFG.	TITLE WAYSIDE SYSTEM SCHEMATIC	
APPD. DFTG. SU-IV. E.D. WATTY	DWG. NO. 5D81332	REV. 9	SHEET 69



TERMINAL C ATO INTERFACES

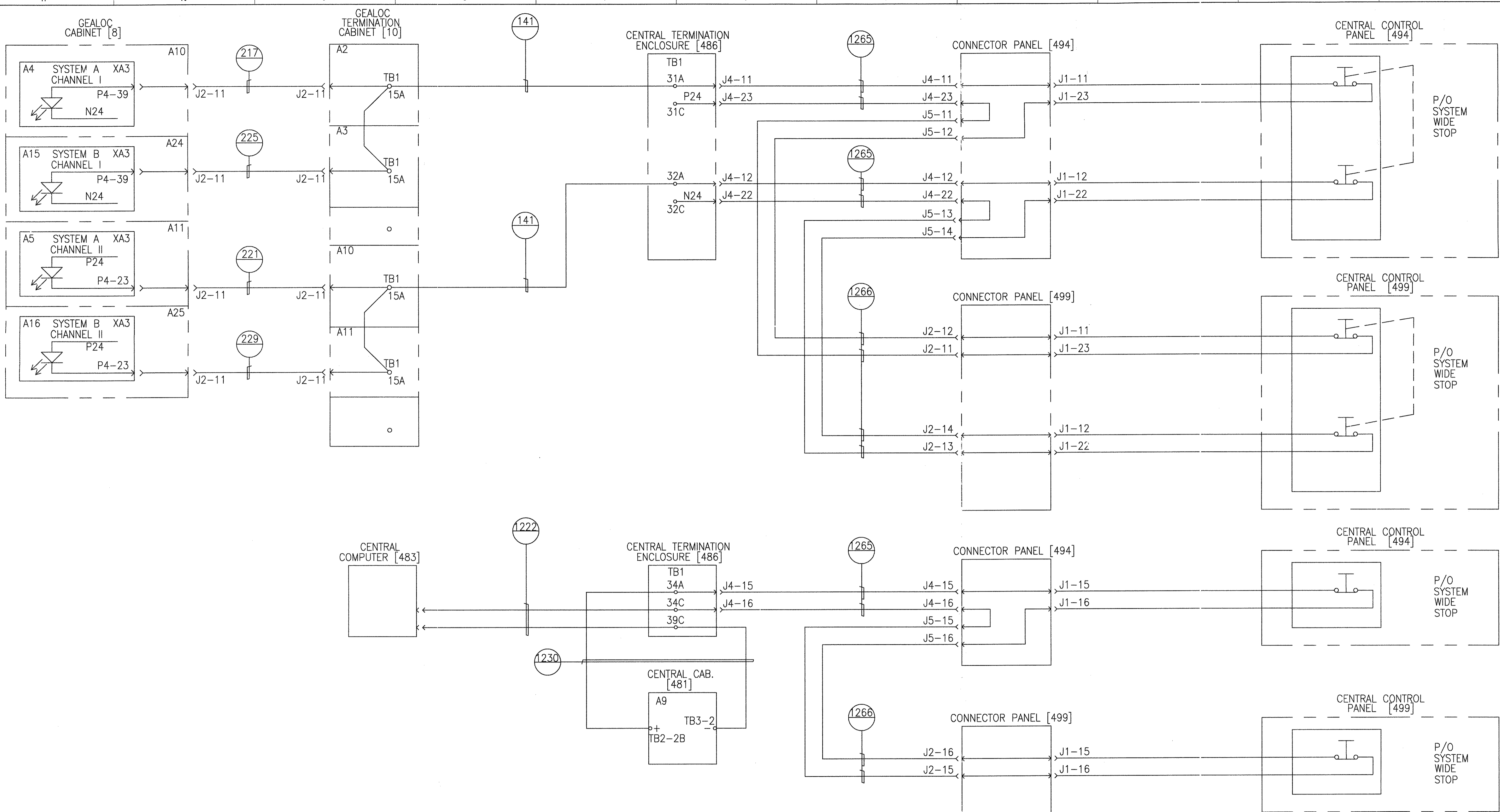
PROPRIETARY INFORMATION - SEE SHEET 1

AutoCAD

GEOMETRIC CHARACTERISTIC SYMBOLS	
FLATNESS	▭
STRAIGHTNESS	—
ROUNDNESS (CIRCULARITY)	○
CYLINDRICITY	∅
PROFILE OF ANY LINE	—
PROFILE OF ANY SURFACE	—
PARALLELISM	∥
PERPENDICULARITY (SQUARENESS)	⊥
ANGULARITY	∠
RUNOUT	↻
TRUE POSITION	⊕
CONCENTRICITY	⊙
SYMMETRY	⊞
MAXIMUM MATERIAL CONDITION (MMC)	Ⓜ
REGARDLESS OF FEATURE SIZE	Ⓛ

DFTM. J.LYNS KEY	DATE 11-24-97
CHKR.	
ENGRG. K. RYAN	
MFG.	
APPD.	
DFTG. SU IV. E.D. WATTY	

<b>BOMBARDIER</b>	
TITLE WAYSIDE SYSTEM SCHEMATIC	
GEORGE BUSH INTERCONTINENTAL AIRPORT-HOUSTON	
DIMENSIONS IN INCHES	
SIZE D	DWG. NO. 5D81332
SCALE NONE	WT. SHEET 70



CENTRAL MANUAL CONTROL PANEL  
SYSTEM WIDE STOP  
INDICATION TO CENTRAL COMPUTERS  
AND GEALOC

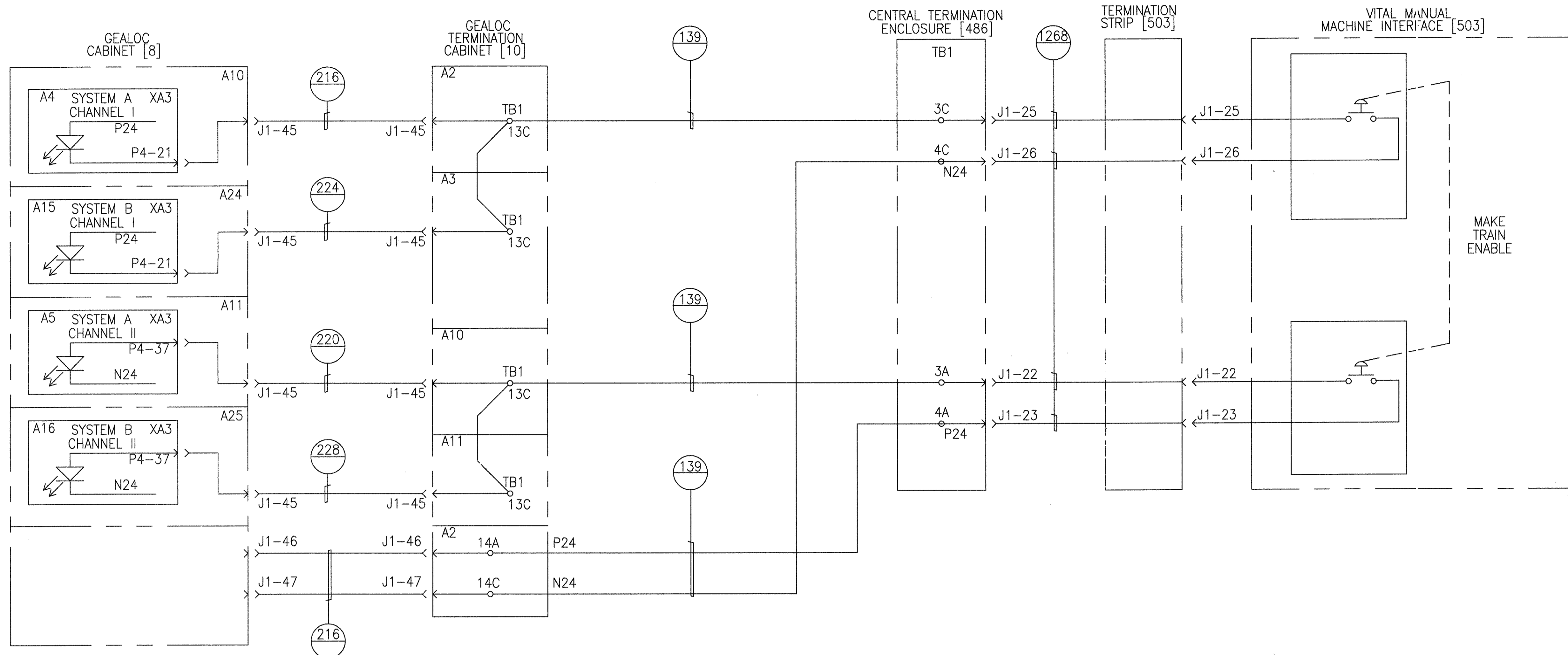
PROPRIETARY INFORMATION - SEE SHEET 1

AutoCAD

GEOMETRIC CHARACTERISTIC SYMBOLS		DFTM.	DATE	BOMBARDIER
FLATNESS		J. WERNER	8/21/97	
STRAIGHTNESS		CHKR.		
ROUNDNESS (CIRCULARITY)		ENGRG.		
CYLINDRICITY		K. RYAN		
PROFILE OF ANY LINE		MFG.		
PROFILE OF ANY SURFACE		APPD.		
PARALLELISM		DFTG. SU'V.		
PERPENDICULARITY (SQUARENESS)		E.D. MATTY		
ANGULARITY				
RUNOUT				
TRUE POSITION				
CONCENTRICITY				
SYMMETRY				
MAXIMUM MATERIAL CONDITION (MMC)				
REGARDLESS OF FEATURE SIZE				

TITLE		WAYSIDE SYSTEM SCHEMATIC	
GEORGE BUSH INTERCONTINENTAL AIRPORT-HOUSTON			
DIMENSIONS IN INCHES			
SIZE	D	DWG. NO.	5D81332
SCALE	NONE	WT.	
SHEET	71	REV.	9



VITAL MANUAL MACHINE INTERFACE  
MAKE TRAIN ENABLE

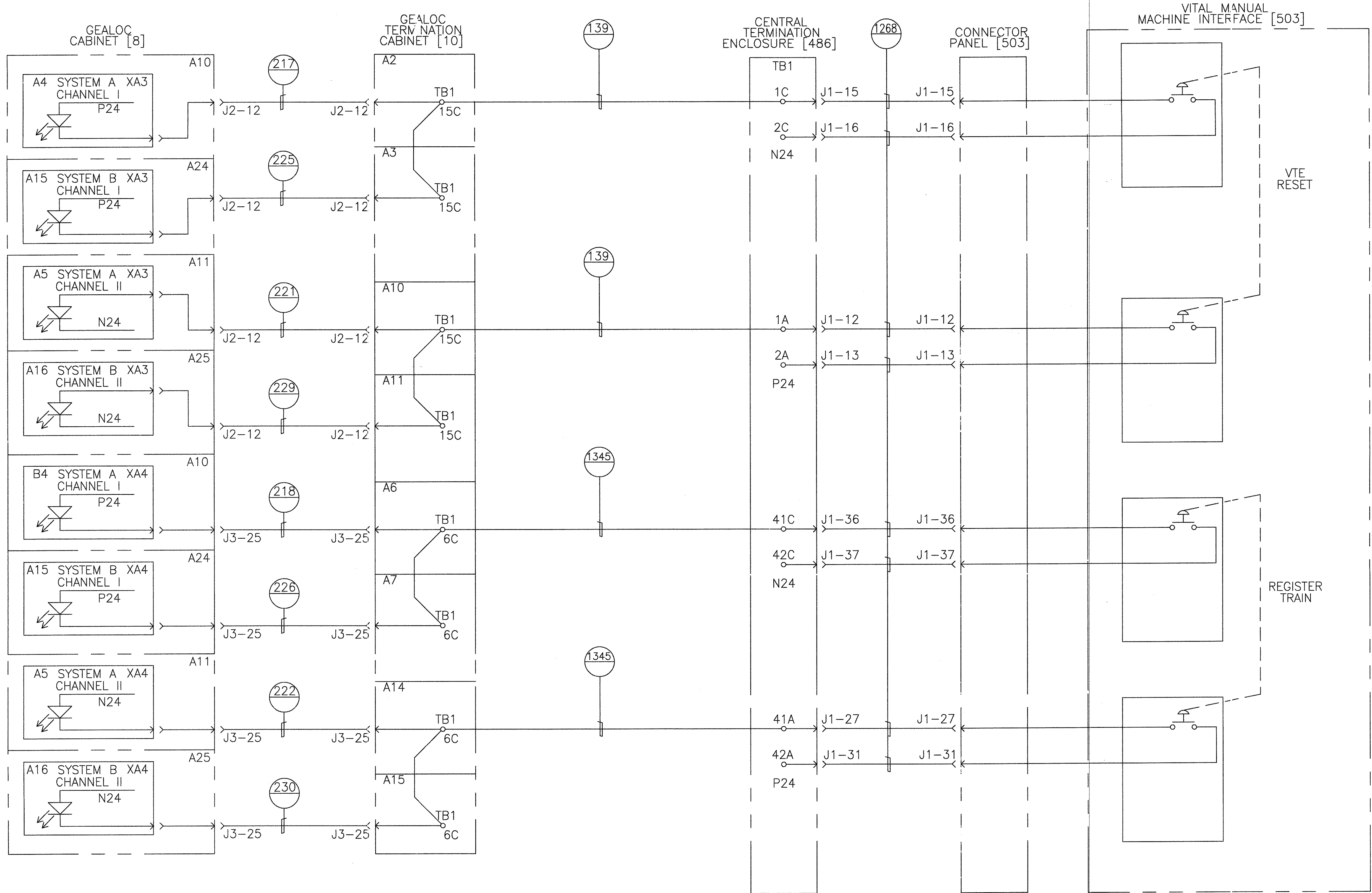
PROPRIETARY INFORMATION - SEE SHEET 1

AutoCAD

GEOMETRIC CHARACTERISTIC SYMBOLS	
FLATNESS	▭
STRAIGHTNESS	—
ROUNDNESS (CIRCULARITY)	○
CYLINDRICITY	⊘
PROFILE OF ANY LINE	⌒
PROFILE OF ANY SURFACE	⌒
PARALLELISM	∥
PERPENDICULARITY (SQUARENESS)	⊥
ANGULARITY	∠
ROUNDNESS	⊖
TRUE POSITION	⊕
CONCENTRICITY	⊙
SYMMETRY	⊞
MAXIMUM MATERIAL CONDITION (MMC)	Ⓜ
REGARDLESS OF FEATURE SIZE	Ⓛ

DFTM. J. WERNER	DATE 8/21/97
CHKR.	
ENGRG. K. RYAN	
MFG.	
APPD.	
DFTG. SU/IV. E.D. WATTY	

<b>BOMBARDIER</b>	
TITLE WAYSIDE SYSTEM SCHEMATIC	
GEORGE BUSH INTERCONTINENTAL AIRPORT-HOUSTON	
DIMENSIONS IN INCHES	
SIZE D	DWG. NO. 5D81332
SCALE NONE	REV. 9
WT.	SHEET 72

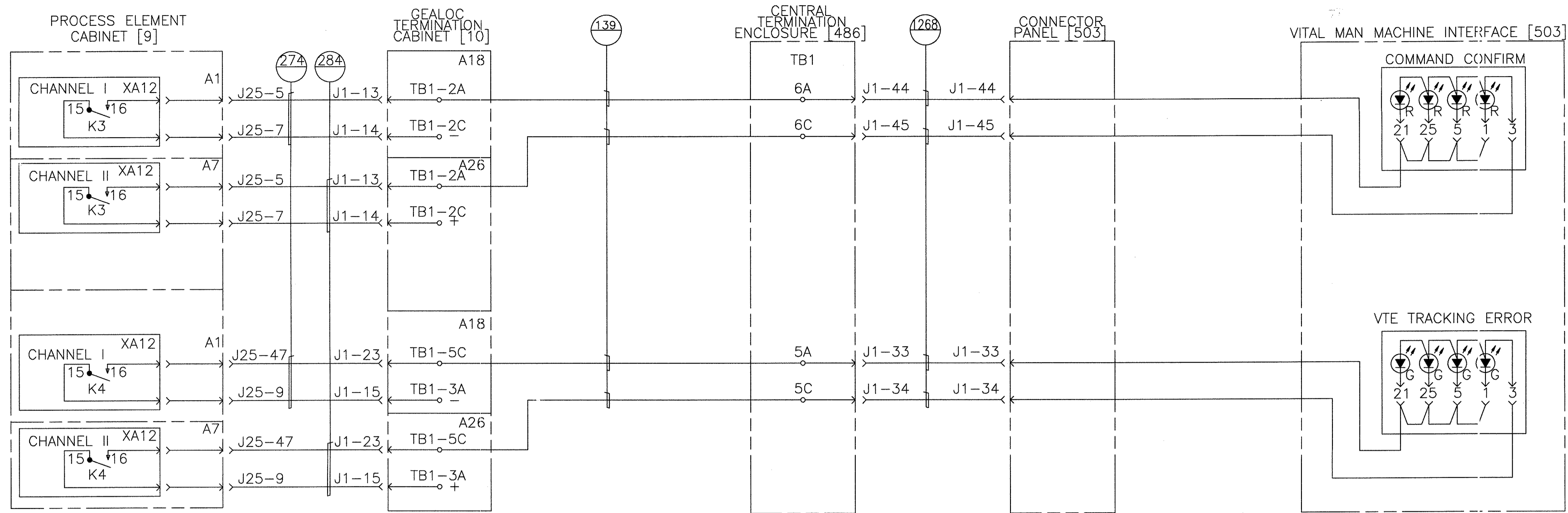


VITAL MANUAL MACHINE INTERFACE  
VTE RESET-REGISTER TRAIN

PROPRIETARY INFORMATION - SEE SHEET 1

AutoCAD

GEOMETRIC CHARACTERISTIC SYMBOLS		DFTM. J. WERNER DATE 8/21/97		BOMBARDIER	
FLATNESS	▭	CHKR.		TITLE	
STRAIGHTNESS	—	ENGRG.	K. RYAN	WAYSIDE SYSTEM SCHEMATIC	
ROUNDNESS (CIRCULARITY)	○	MFG.		GEORGE BUSH INTERCONTINENTAL AIRPORT-HOUSTON	
CYLINDRICITY	⊘	APPD.		DIMENSIONS IN INCHES	
PROFILE OF ANY LINE	⌒	DFTG. SU/IV. E.D. WATTY		SIZE D	DWG. NO. 5D81332
PROFILE OF ANY SURFACE	⌒			SCALE NONE	REV. 9
PARALLELISM	∥			WT.	SHEET 73
PERPENDICULARITY (SQUARENESS)	⊥				
ANGULARITY	∠				
ROUNDNESS	⊘				
TRUE POSITION	⊕				
CONCENTRICITY	⊙				
SYMMETRY	⊞				
MAXIMUM MATERIAL CONDITION (MMC)	Ⓜ				
REGARDLESS OF FEATURE SIZE	Ⓜ				



VITAL MAN MACHINE INTERFACE  
VTE TRACKING ERROR AND COMMAND CONFIRM INDICATIONS

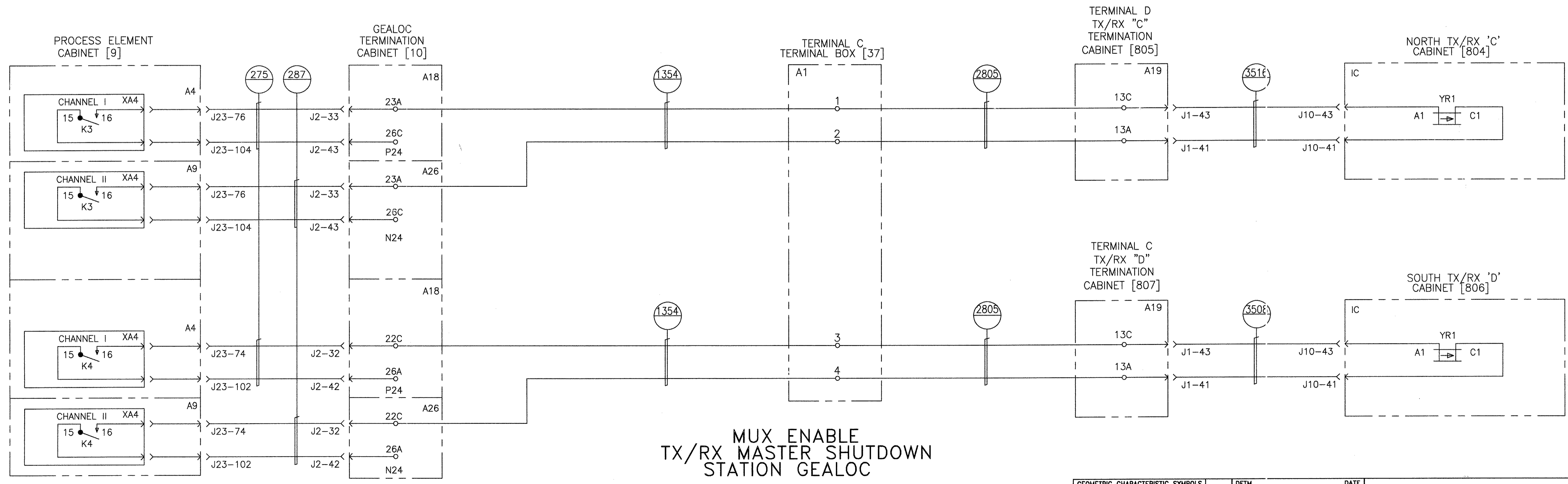
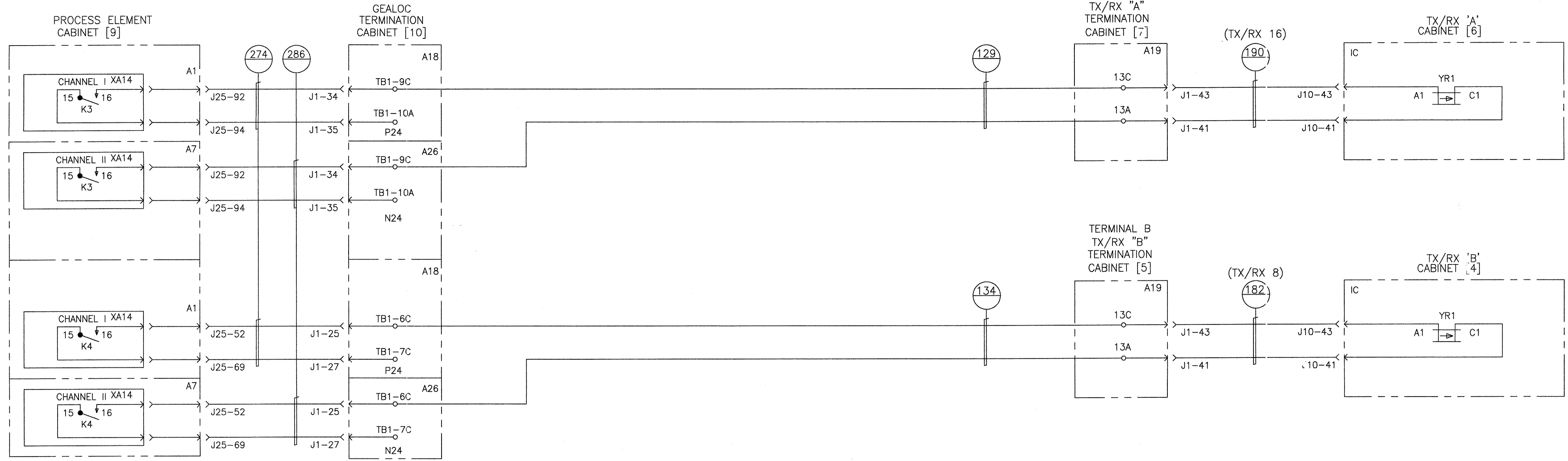
PROPRIETARY INFORMATION - SEE SHEET 1

AutoCAD

GEOMETRIC CHARACTERISTIC SYMBOLS	
FLATNESS	▭
STRAIGHTNESS	—
ROUNDNESS (CIRCULARITY)	○
CYLINDRICITY	∅
PROFILE OF ANY LINE	⌒
PROFILE OF ANY SURFACE	⌒
PARALLELISM	∥
PERPENDICULARITY (SQUARENESS)	⊥
ANGULARITY	∠
RUNOUT	⊖
TRUE POSITION	⊕
CONCENTRICITY	⊙
SYMMETRY	⊞
MAXIMUM MATERIAL CONDITION (MMC)	Ⓜ
REGARDLESS OF FEATURE SIZE	Ⓛ

DFTM. J. WERNER	DATE 8/21/97
CHKR.	
ENGRG. K. RYAN	
MFG.	
APPD.	
DFTG. SU-IV. E.D. WATTY	

<b>BOMBARDIER</b>	
TITLE WAYSIDE SYSTEM SCHEMATIC	
GEORGE BUSH INTERCONTINENTAL AIRPORT-HOUSTON	
DIMENSIONS IN INCHES	
SIZE D	DWG. NO. 5D81332
SCALE NONE	REV. 9
WT.	SHEET 74



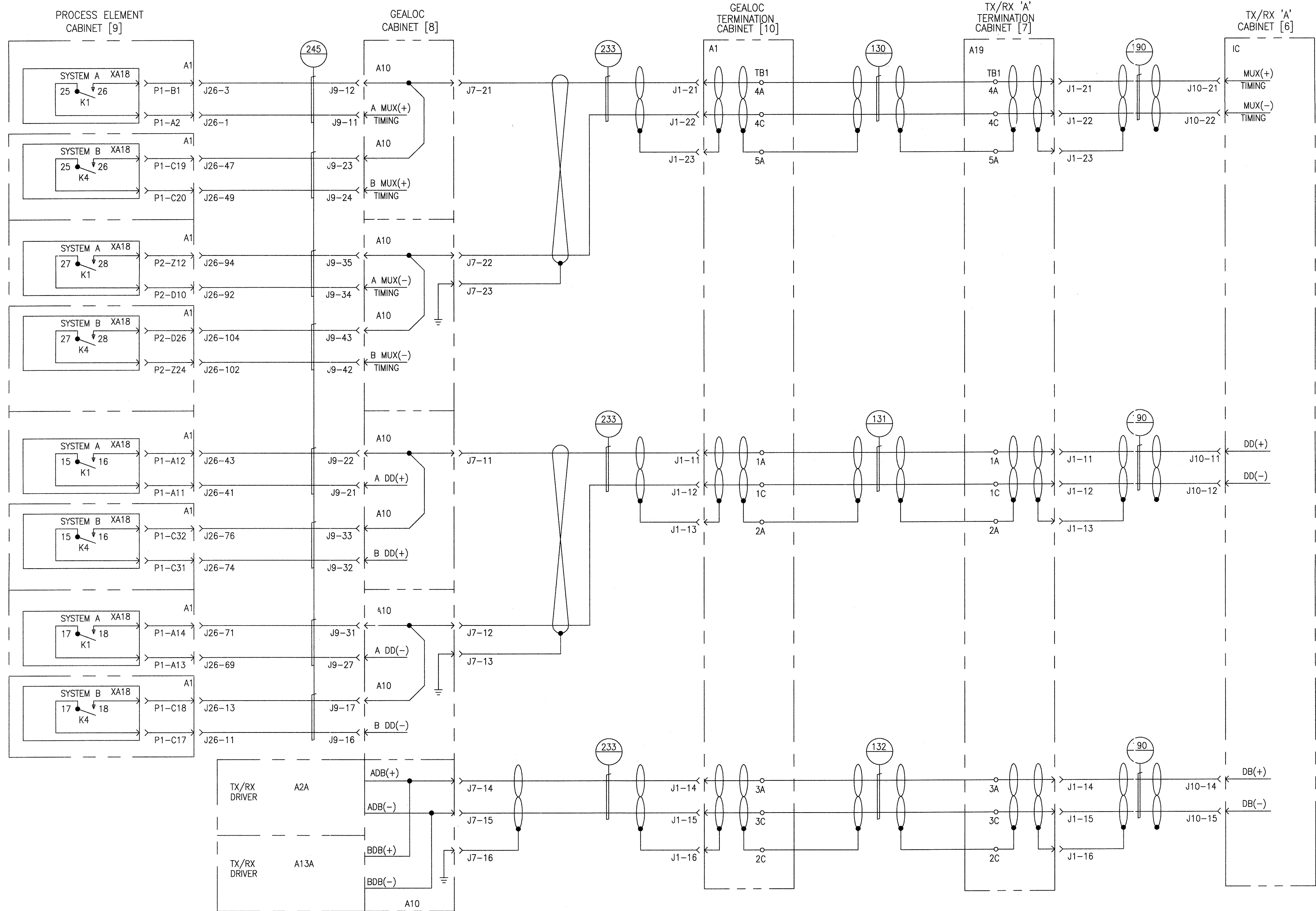
MUX ENABLE  
TX/RX MASTER SHUTDOWN  
STATION GEALOC

PROPRIETARY INFORMATION - SEE SHEET 1

AutoCAD

GEOMETRIC CHARACTERISTIC SYMBOLS		DFTM. DATE		BOMBARDIER	
FLATNESS		J. WERNER	8/21/97	TITLE	
STRAIGHTNESS		CHKR.		WAYSIDE SYSTEM SCHEMATIC	
ROUNDNESS (CIRCULARITY)		ENGRG.		GEORGE BUSH INTERCONTINENTAL AIRPORT-HOUSTON	
CYLINDRICITY		K. RYAN		DIMENSIONS IN INCHES	
PROFILE OF ANY LINE		MFG.		SIZE	DWG. NO.
PROFILE OF ANY SURFACE		APPD.		D	5D81332
PARALLELISM		DFTG. SU/IV.		SCALE	REV.
PERPENDICULARITY (SQUARENESS)		E.D. WATTY		NONE	9
ANGULARITY				WT.	SHEET
ROUNDOUT					75
TRUE POSITION					
CONCENTRICITY					
SYMMETRY					
MAXIMUM MATERIAL CONDITION (MMC)					
REGARDLESS OF FEATURE SIZE					



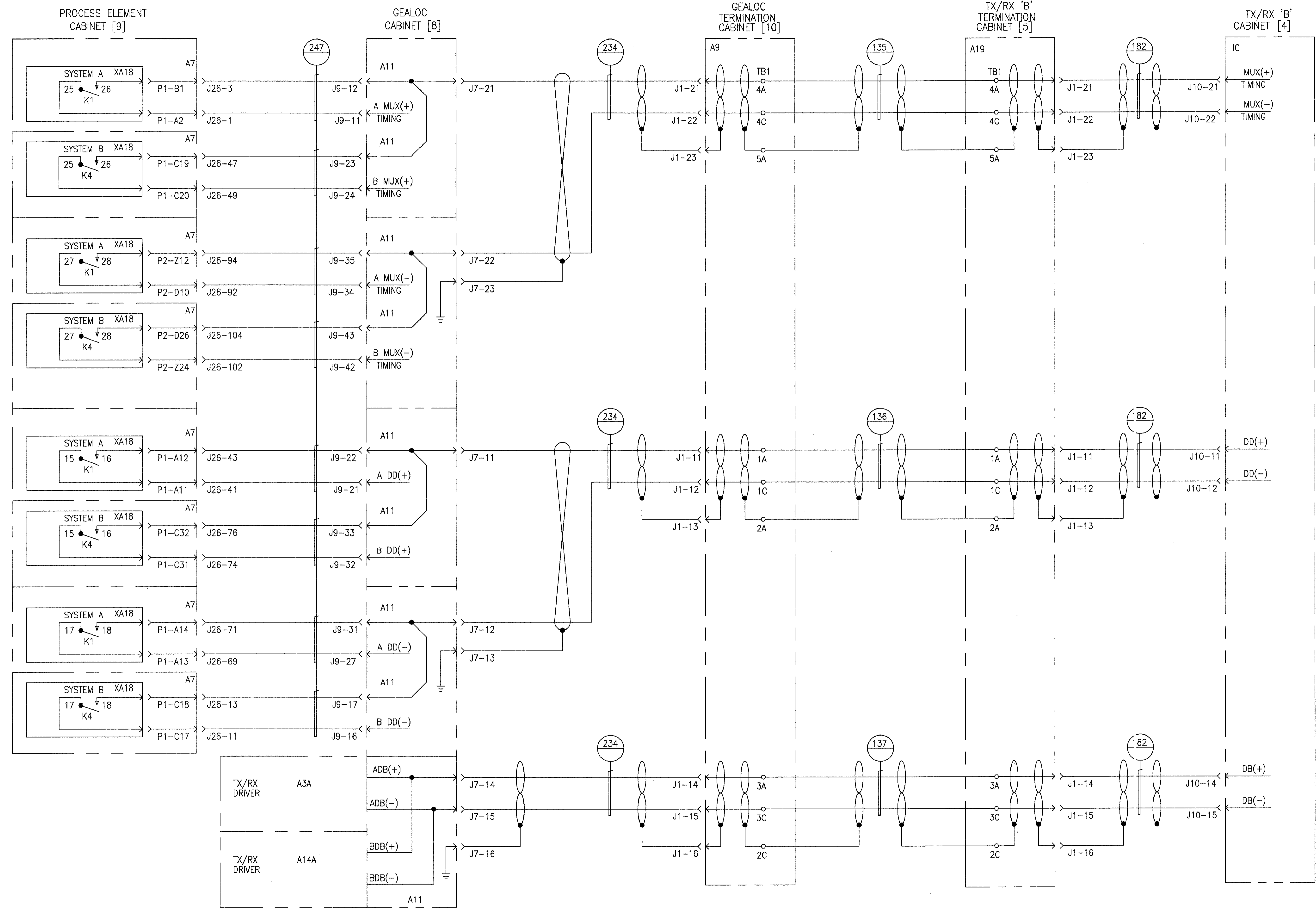


MUX 'A' TX/RX NORTH GUIDEWAY  
STATION GEALOC

GEOMETRIC CHARACTERISTIC SYMBOLS		DFTM. DATE	BOMBARDIER	
FLATNESS		J. WERNER	8/21/97	TITLE WAYSIDE SYSTEM SCHEMATIC
STRAIGHTNESS		CHKR.		
ROUNDNESS (CIRCULARITY)		ENGRG.		GEORGE BUSH INTERCONTINENTAL AIRPORT-HOUSTON
CYLINDRICITY		K. RYAN		
PROFILE OF ANY LINE		MFG.		DIMENSIONS IN INCHES
PROFILE OF ANY SURFACE		APPD.		SCALE NONE
PARALLELISM		DFTG. SU/PV.		WT.
PERPENDICULARITY (SQUARENESS)		E.D. WATTY		SHEET 76
ANGULARITY				
RUNOUT				
TRUE POSITION				
CONCENTRICITY				
SYMMETRY				
MAXIMUM MATERIAL CONDITION (MMC)				
REGARDLESS OF FEATURE SIZE				

PROPRIETARY INFORMATION - SEE SHEET 1

AutoCAD

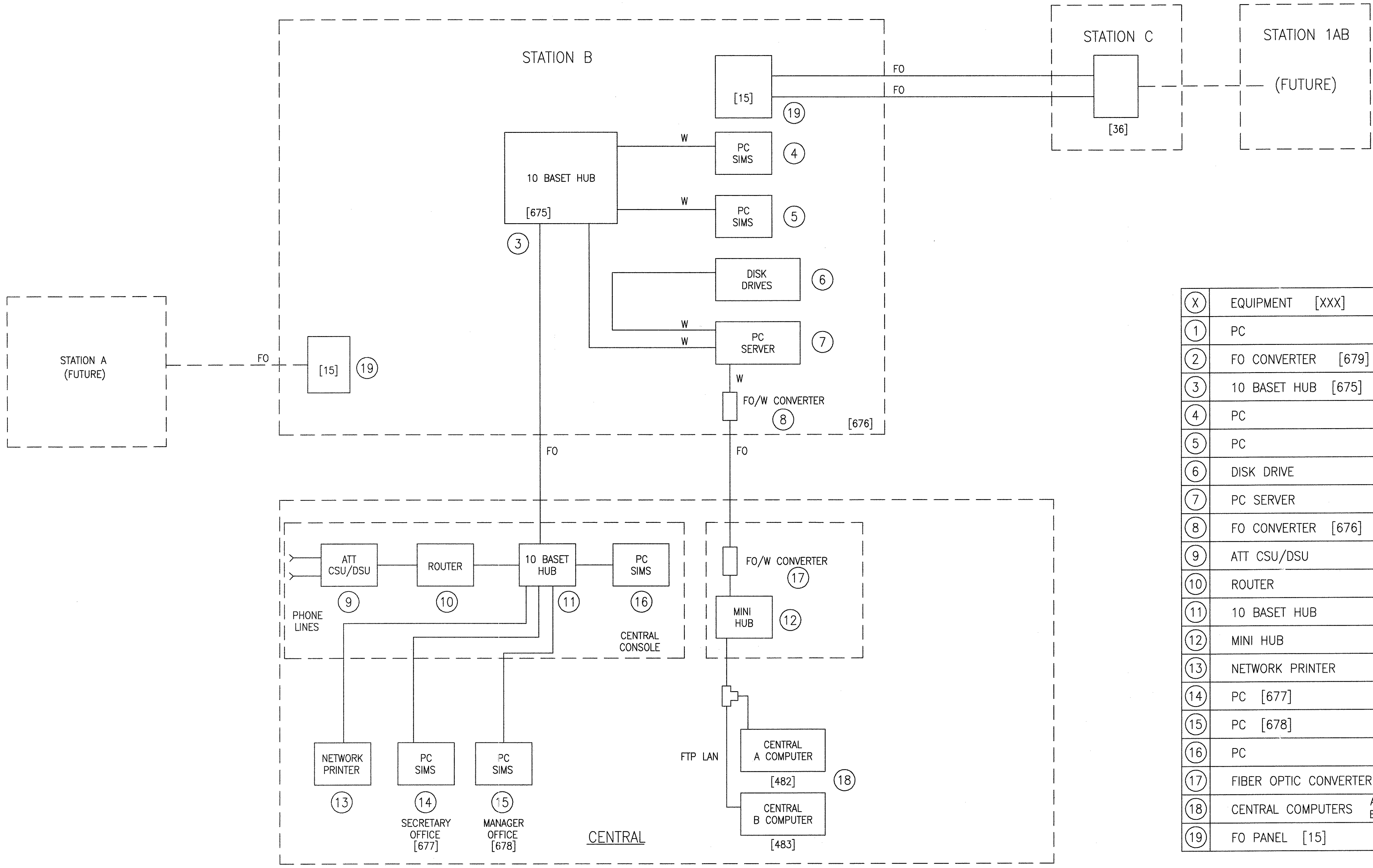


MUX 'B' TX/RX SOUTH GUIDEWAY  
STATION GEALOC

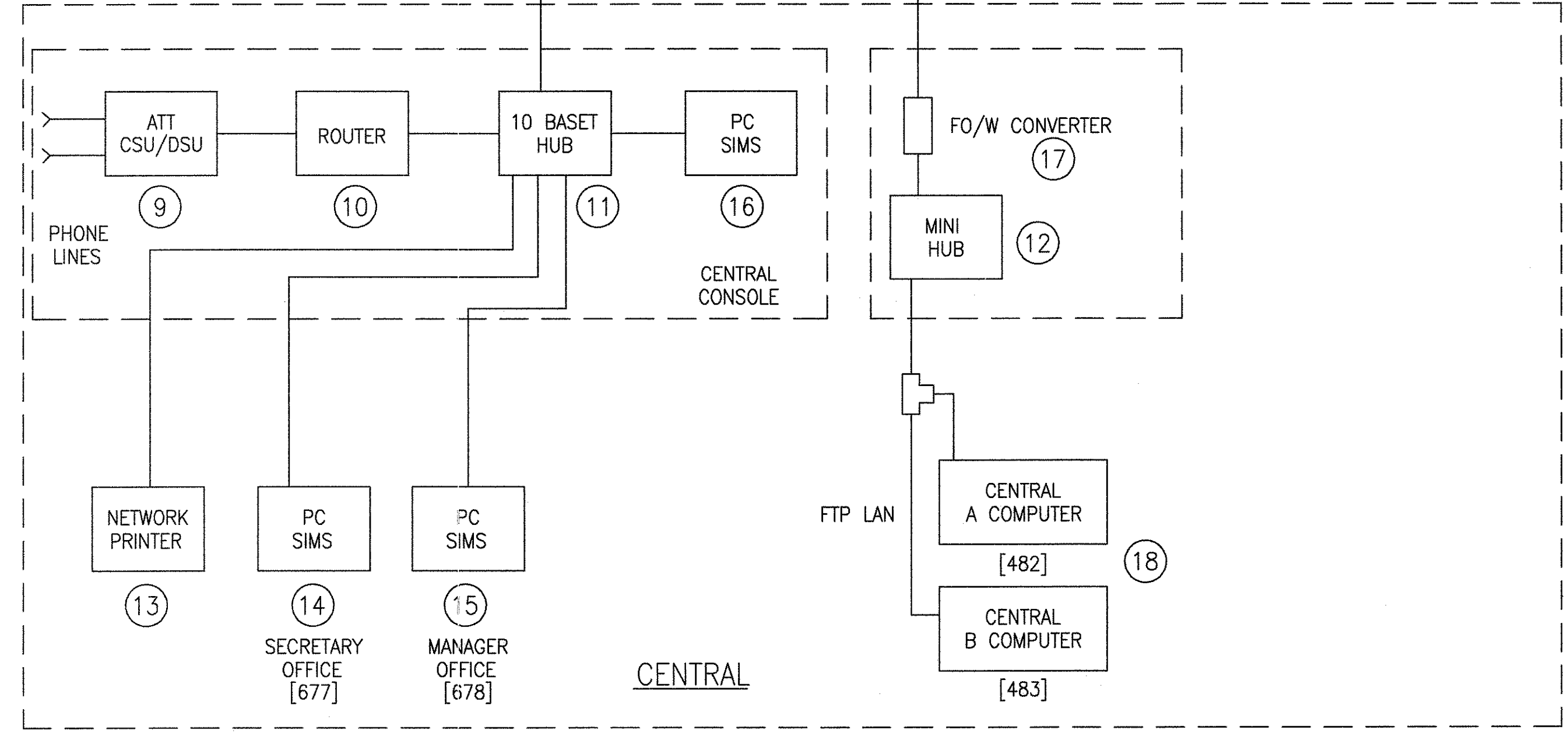
GEOMETRIC CHARACTERISTIC SYMBOLS		DFTM.	DATE	BOMBARDIER	
FLATNESS		J. WERNER	8/21/97	TITLE	
STRAIGHTNESS		CHKR.		WAYSIDE SYSTEM SCHEMATIC	
ROUNDNESS (CIRCULARITY)		ENGRG.		GEORGE BUSH INTERCONTINENTAL AIRPORT-HOUSTON	
CYLINDRICITY		MFG.		DIMENSIONS IN INCHES	
PROFILE OF ANY LINE		APPD.		SIZE	DWG. NO.
PROFILE OF ANY SURFACE		DFTG. SU/IV.		D	5D81332
PARALLELISM		E.D. MATTY		SCALE	REV.
PERPENDICULARITY (SQUARENESS)				NONE	9
ANGULARITY				WT.	SHEET
ROUNDOUT					77
TRUE POSITION					
CONCENTRICITY					
SYMMETRY					
MAXIMUM MATERIAL CONDITION (MMC)					
REGARDLESS OF FEATURE SIZE					

PROPRIETARY INFORMATION - SEE SHEET 1

AutoCAD



(X)	EQUIPMENT [XXX]	SUPPLIER DATA
(1)	PC	
(2)	FO CONVERTER [679]	
(3)	10 BASET HUB [675]	
(4)	PC	
(5)	PC	
(6)	DISK DRIVE	
(7)	PC SERVER	
(8)	FO CONVERTER [676]	
(9)	ATT CSU/DSU	
(10)	ROUTER	
(11)	10 BASET HUB	
(12)	MINI HUB	
(13)	NETWORK PRINTER	
(14)	PC [677]	
(15)	PC [678]	
(16)	PC	
(17)	FIBER OPTIC CONVERTER	
(18)	CENTRAL COMPUTERS A [482] B [483]	5D81718G01 5D81721G01
(19)	FO PANEL [15]	



SIMS

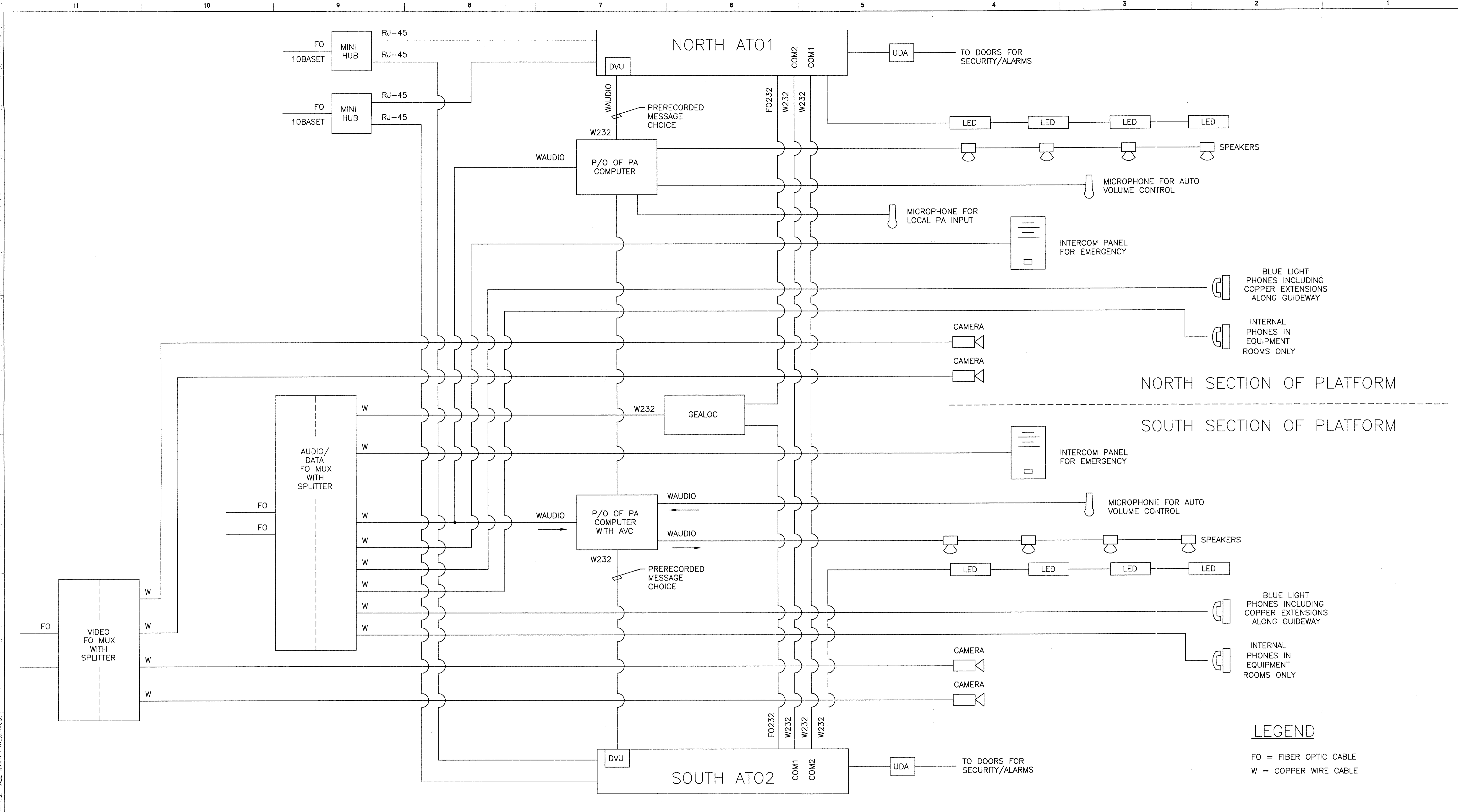
PROPRIETARY INFORMATION - SEE SHEET 1

AutoCAD

GEOMETRIC CHARACTERISTIC SYMBOLS	
FLATNESS	—
STRAIGHTNESS	—
ROUNDNESS (CIRCULARITY)	○
CYLINDRICITY	○
PROFILE OF ANY LINE	—
PROFILE OF ANY SURFACE	—
PARALLELISM	—
PERPENDICULARITY (SQUARENESS)	—
ANGULARITY	—
RUNOUT	—
TRUE POSITION	—
CONCENTRICITY	—
SYMMETRY	—
MAXIMUM MATERIAL CONDITION (MMC)	—
REGARDLESS OF FEATURE SIZE	—

DFTM.	J.LYNSKEY	DATE	8-27-97
CHKR.			
ENGRG.	K. RYAN		
MFG.			
APPD.	E.D. MATTY		

<b>BOMBARDIER</b>	
TITLE WAYSIDE SYSTEM SCHEMATIC	
GEORGE BUSH INTERCONTINENTAL AIRPORT-HOUSTON	
DIMENSIONS IN INCHES	
SIZE <b>D</b>	DWG. NO. <b>5D81332</b>
SCALE NONE	WT.
SHEET 78	REV. 9



TERMINAL B COMMUNICATIONS BLOCK DIAGRAM

**LEGEND**  
 FO = FIBER OPTIC CABLE  
 W = COPPER WIRE CABLE

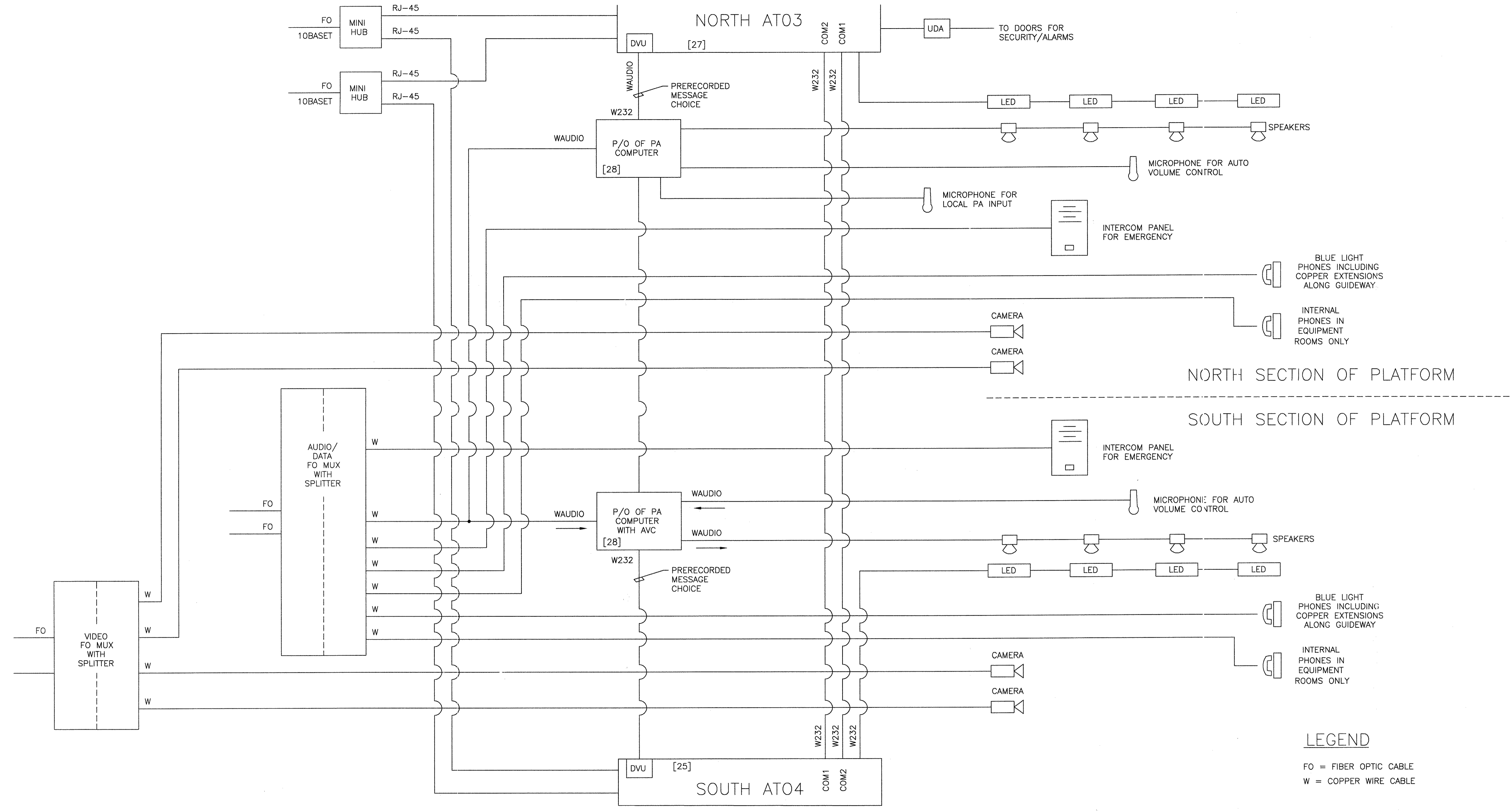
GEOMETRIC CHARACTERISTIC SYMBOLS	
FLATNESS	—
STRAIGHTNESS	—
ROUNDNESS (CIRCULARITY)	○
CYLINDRICITY	○
PROFILE OF ANY LINE	—
PROFILE OF ANY SURFACE	—
PARALLELISM	—
PERPENDICULARITY (SQUARENESS)	—
ANGULARITY	—
RUNOUT	—
TRUE POSITION	—
CONCENTRICITY	—
SYMMETRY	—
MAXIMUM MATERIAL CONDITION (MMC)	—
REGARDLESS OF FEATURE SIZE	—

DFTM.	DATE
J. LYNISKEY	8-27-97
CHKR.	
ENGRG.	
MFG.	
APPD.	
DFTG. SUV.	
E.D. MATTY	

BOMBARDIER			
TITLE WAYSIDE SYSTEM SCHEMATIC			
GEORGE BUSH INTERCONTINENTAL AIRPORT-HOUSTON			
DIMENSIONS IN INCHES			
SIZE D	DWG. NO. 5D81332	REV. 9	
SCALE NONE	WT.	SHEET 79	

PROPRIETARY INFORMATION - SEE SHEET 1

AutoCAD



NORTH SECTION OF PLATFORM

SOUTH SECTION OF PLATFORM

**LEGEND**  
 FO = FIBER OPTIC CABLE  
 W = COPPER WIRE CABLE

TERMINAL C COMMUNICATIONS BLOCK DIAGRAM

PROPRIETARY INFORMATION - SEE SHEET 1

AutoCAD

GEOMETRIC CHARACTERISTIC SYMBOLS		DFTM.	DATE	BOMBARDIER
FLATNESS	▭	J. LYNSKEY	8-27-97	
STRAIGHTNESS	▬	CHKR.		TITLE
ROUNDNESS (CIRCULARITY)	○	ENGRG.		WAYSIDE SYSTEM SCHEMATIC
CYLINDRICITY	⊘	K. RYAN		GEORGE BUSH INTERCONTINENTAL AIRPORT-HOUSTON
PROFILE OF ANY LINE	⌒	MFG.		DIMENSIONS IN INCHES
PROFILE OF ANY SURFACE	⌒	APPD.		SIZE
PARALLELISM	∥	DFTG. SU/W.		DWG. NO.
PERPENDICULARITY (SQUARENESS)	⊥	E.D. WATTY		5D81332
ANGULARITY	∠			REV.
ROUNDOUT	⊕			9
TRUE POSITION	⊕			SCALE NONE
CONCENTRICITY	⊕			WT.
SYMMETRY	⊕			SHEET
MAXIMUM MATERIAL CONDITION (MMC)	⊕			80
REGARDLESS OF FEATURE SIZE	⊕			

SH	LATEST REV									
	1	2	3	4	5	6	7	8	9	10
1	X	X	X	X	X	X	X	X	X	X
2	X	X	X	X	X	X	X	X	X	X
3	X	X	X	X	X	X	X	X	X	X
4	X	X	X	X	X	X	X	X	X	X
5	X	X	X	X	X	X	X	X	X	X
6	X	X	X	X	X	X	X	X	X	X
7	X	X	X	X	X	X	X	X	X	X

SH	LATEST REV									
	1	2	3	4	5	6	7	8	9	10

SH	LATEST REV									
	1	2	3	4	5	6	7	8	9	10

SH	LATEST REV									
	1	2	3	4	5	6	7	8	9	10

© 2005 BOMBARDIER INC. OR ITS SUBSIDIARIES. ALL RIGHTS RESERVED.

THIS DOCUMENT AND ITS CONTENTS ARE THE PROPERTY OF BOMBARDIER INC. OR ITS SUBSIDIARIES. THIS DOCUMENT CONTAINS CONFIDENTIAL PROPRIETARY INFORMATION. THE REPRODUCTION, DISTRIBUTION, UTILIZATION OR THE COMMUNICATION OF THIS DOCUMENT OR ANY PART THEREOF, WITHOUT EXPRESS AUTHORIZATION IS STRICTLY PROHIBITED. OFFENDERS WILL BE HELD LIABLE FOR THE PAYMENT OF DAMAGES.

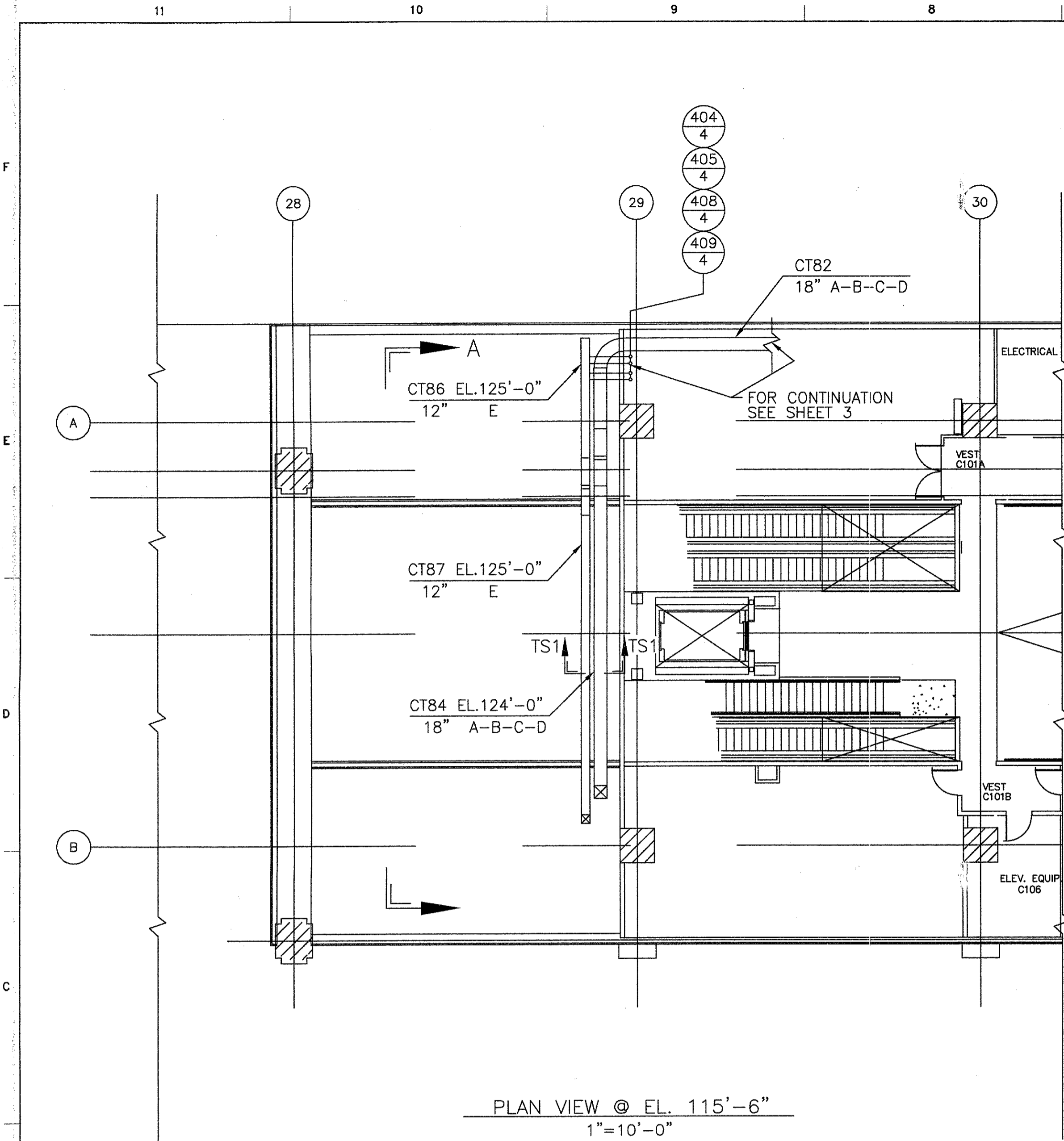
AutoCAD

1 TCN HOAA-B2065 D. 5DS212-E CHANGE	5 SIGNATURES ON FILE TCN HOAA-A3013 ECN 42923	6 DRAWING BASELINED- UPDATED FORMAT PER CURRENT STANDARDS SEE SHEET 3 FOR CHANGES F. BELMARES 7-9-03 T. NEVILLE J. CARNEVALE	7 SIGNATURES ON FILE TCN HOAB-B2065 ECN 60217	8 REVERSED SHEETS 4 AND 6 G. PALCHAT 02/05/04 T. NEVILLE J. CARNEVALE	8 SIGNATURES ON FILE TCN HOAB-B2065 WR 2001346	8 SHEETS 1, 3, 5 & 6 REVISED PER AS BUILT CONDITIONS. BASELINED ALL SHEETS PER FORMAT CHANGE P. CARSON 7/31/05 A. ROMEO J. CARNEVALE	APPROVED BY:  DEPARTMENT OF AVIATION
--	--	--	--	--	---	--	--

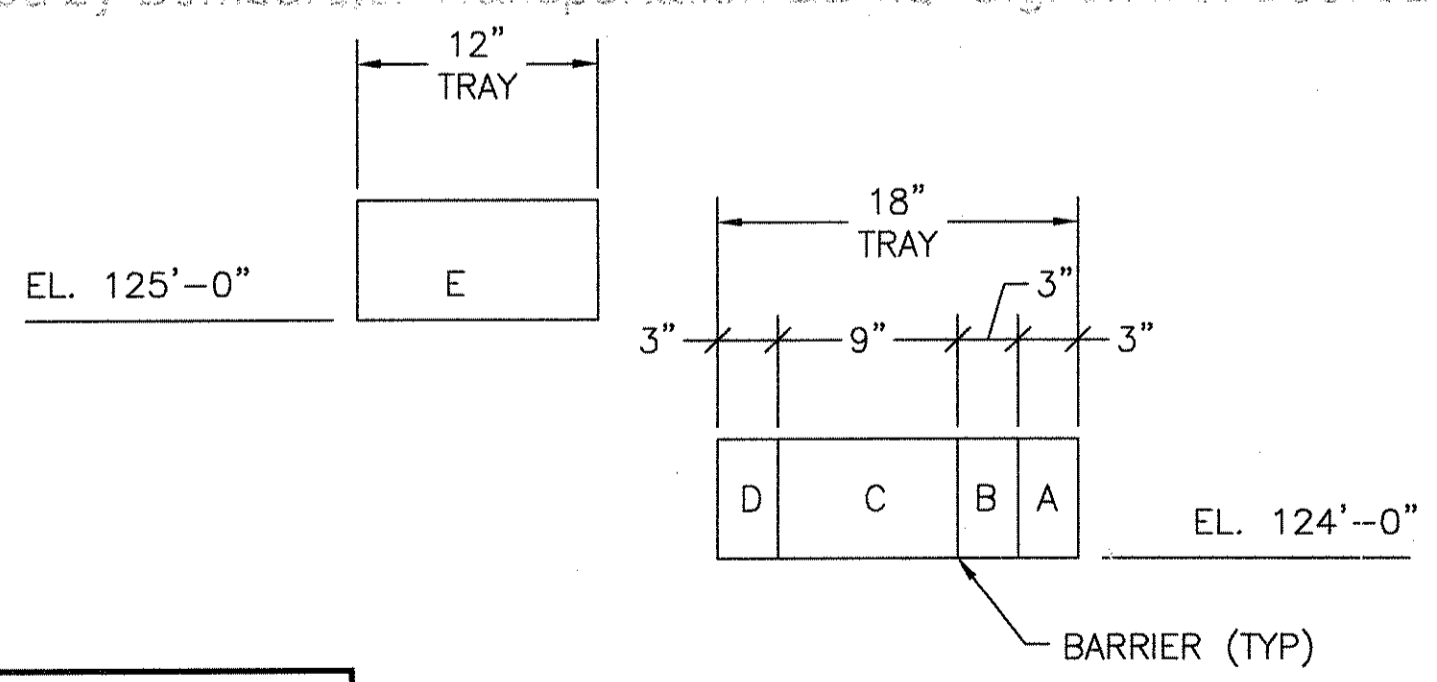
**Continental Airlines**  
ABOVEGROUND  
PEOPLE MOVER  
George Bush  
Intercontinental Airport / Houston

DFTM. CHKR. K.SZEWczyk	DATE 11-18-97
ENGRG. MFG. P.STIRBIS	1-20-98
APPD.	394
DFTG. 1UPV. E.D.MATTY	1-20-98

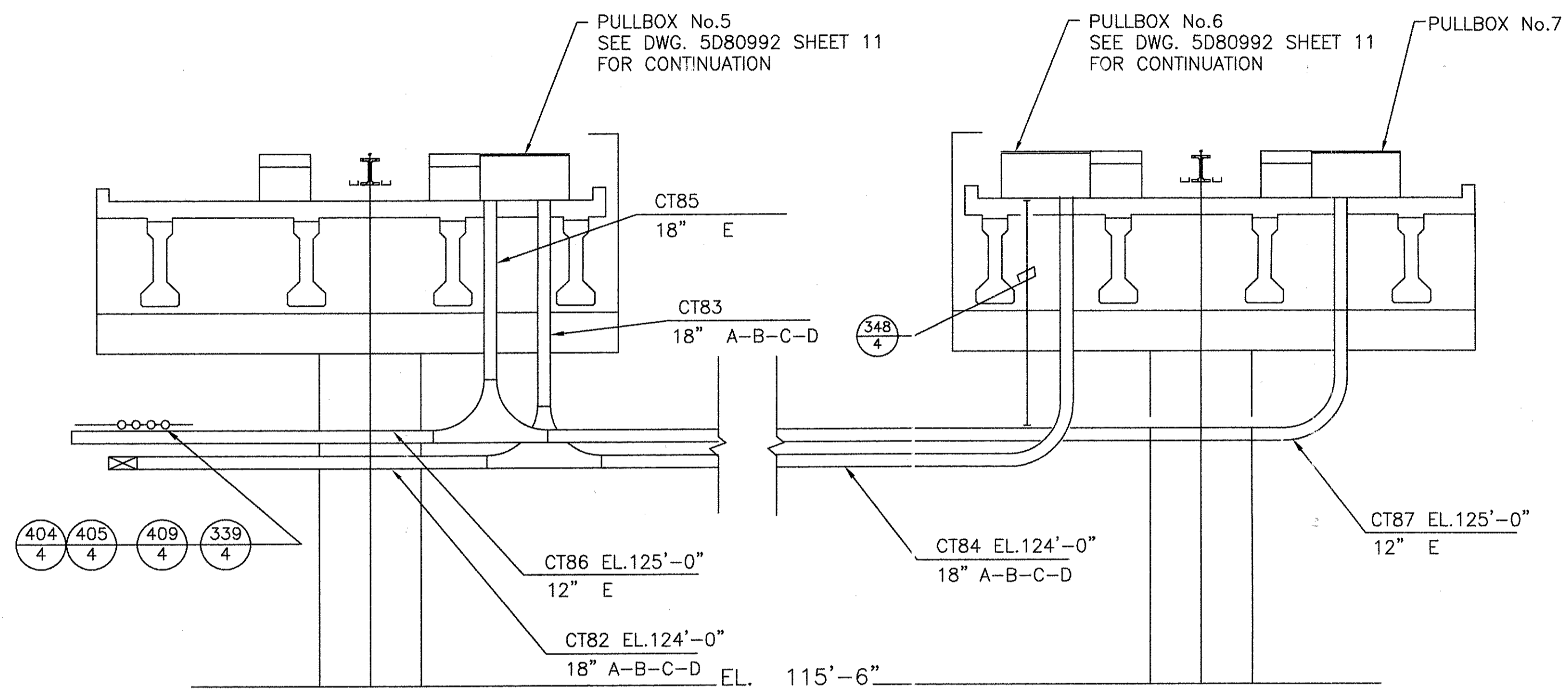
<b>BOMBARDIER</b>	
TITLE GEORGE BUSH INTERCONTINENTAL AIRPORT/HOUSTON STATION "C" CABLE TRAY AND CONDUIT	
DIMENSIONS IN	
SIZE D	DWG. NO. 5D80989
SCALE	WT.
SHEET 1 OF 7	REV. 8



PLAN VIEW @ EL. 115'-6"  
1"=10'-0"



SECTION TS1-TS1



SECTION A-A  
SCALE: 1/4"=1'-0"

THIS DOCUMENT AND ITS CONTENTS ARE THE PROPERTY OF BOMBARDIER INC. OR ITS SUBSIDIARIES. THIS DOCUMENT CONTAINS CONFIDENTIAL PROPRIETARY INFORMATION. THE REPRODUCTION, DISTRIBUTION, UTILIZATION OR THE COMMUNICATION OF THIS DOCUMENT OR ANY PART THEREOF, WITHOUT EXPRESS AUTHORIZATION IS STRICTLY PROHIBITED. OFFENDERS WILL BE HELD LIABLE FOR THE PAYMENT OF DAMAGES.

AutoCAD

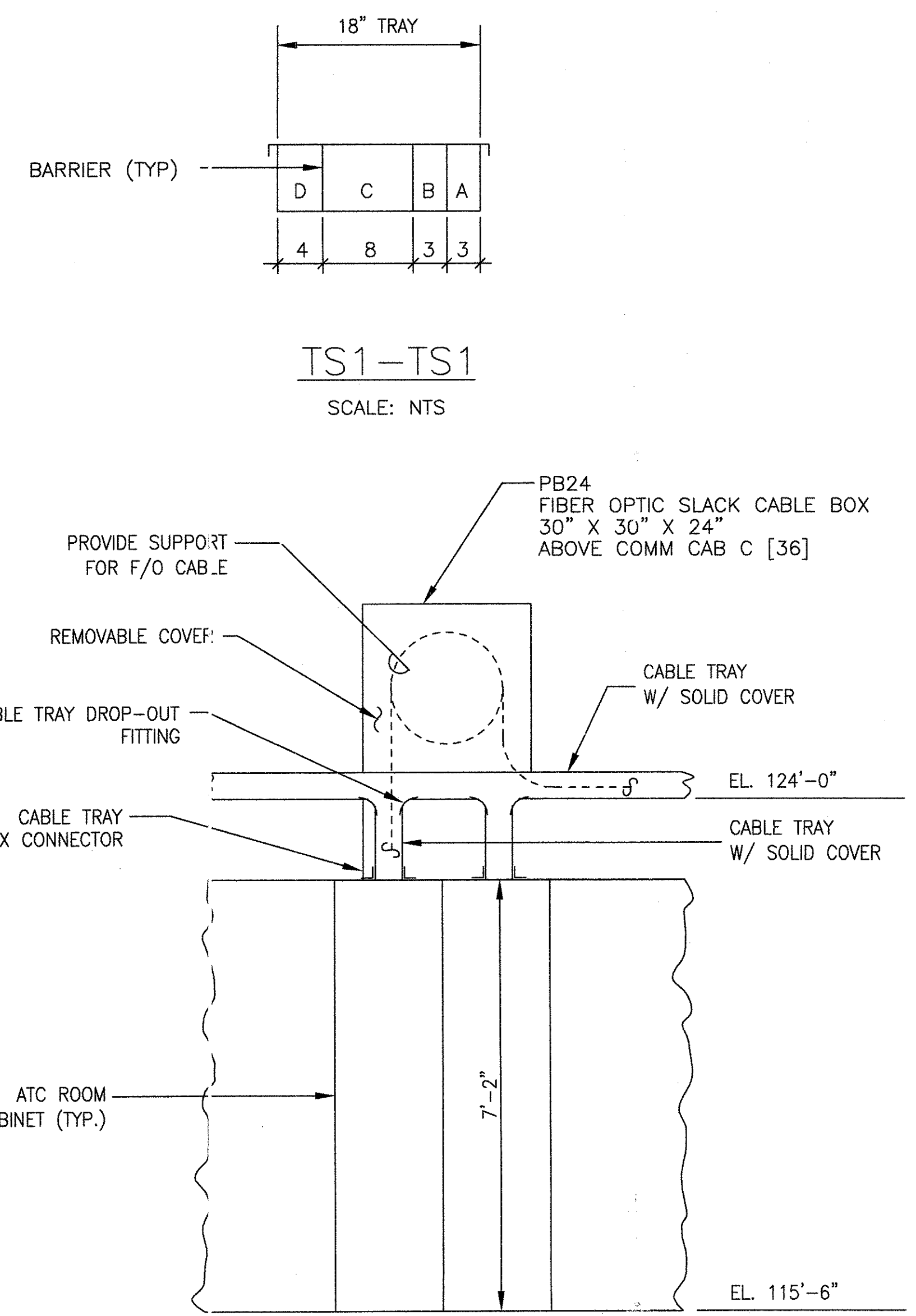
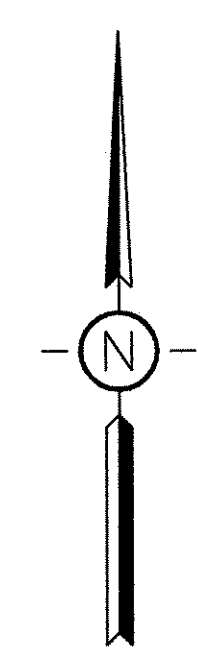
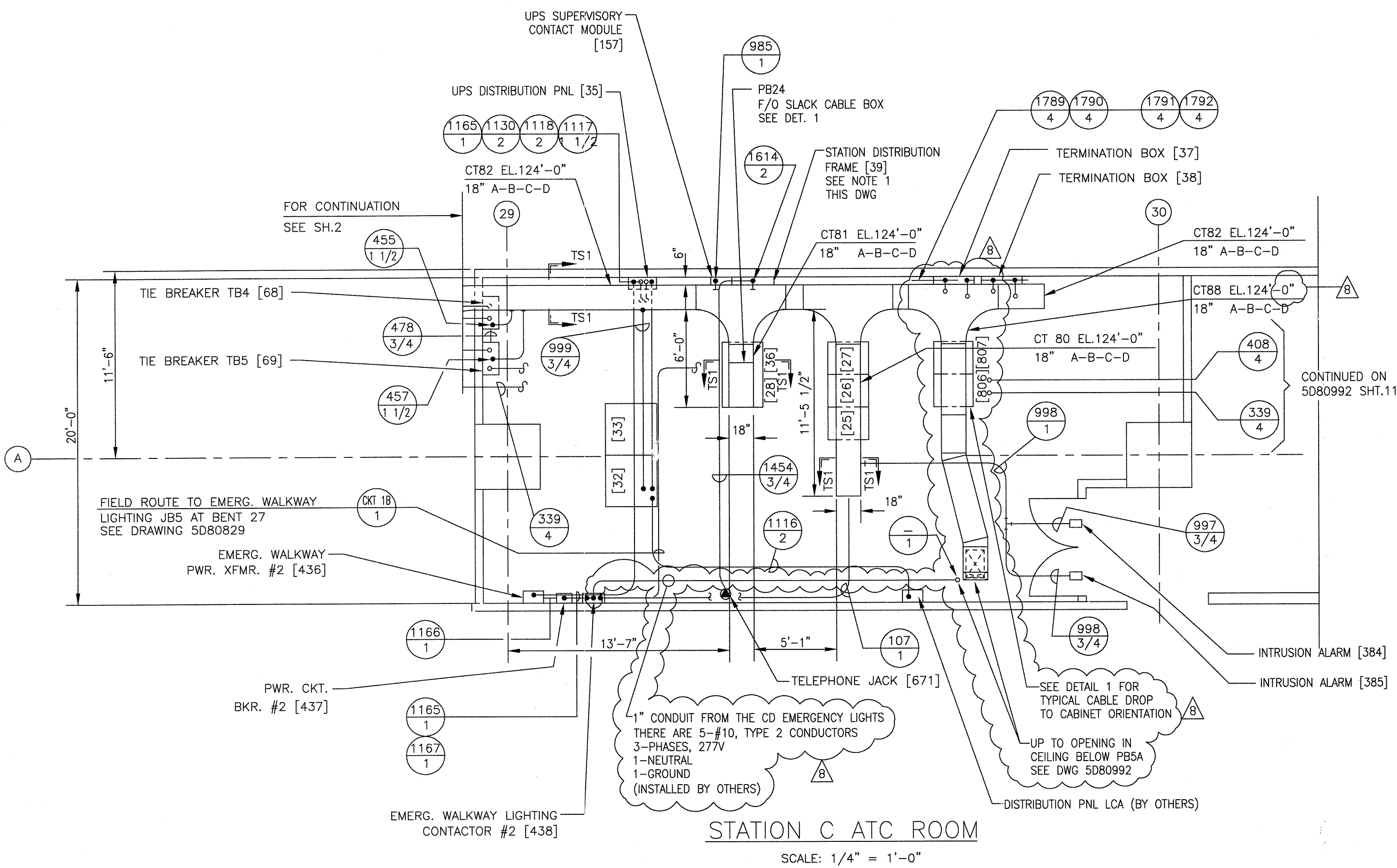
1	5	6	8
TCN HOAA-B2065 D. 5DS212-E CHANGE	SIGNATURES ON FILE TCN HOAA-A3013 ECN 39334	NO CHANGE THIS SHEET SEE SHEET 1 F. BELMARES 7-9-03 T. NEVILLE J. CARNEVALE	SIGNATURES ON FILE TCN HOAB-B2065 WR 2001346 NO DRAWING CHANGE TO THIS SHEET, FORMAT CHANGE ONLY P. CARSON 7/31/05 A. ROMEO J. CARNEVALE

APPROVED BY:  
DEPARTMENT OF AVIATION

**Continental Airlines**  
ABOVEGROUND PEOPLE MOVER  
George Bush Intercontinental Airport / Houston

DFTM. K.SZEWczyk	DATE 11-18-97
CHKR. P.STIRBIS	
ENGRG. P.STIRBIS	
MFG.	
APPD.	
DFTG. SUPV. E.D.MATTY	

<b>BOMBARDIER</b>		
TITLE GEORGE BUSH INTERCONTINENTAL AIRPORT/HOUSTON STATION "C" CABLE TRAY AND CONDUIT		
DIMENSIONS IN		
SIZE D	DWG. NO. 5D80989	REV. 8
SCALE	WT.	SHEET 2



**STATION C ATC ROOM**  
SCALE: 1/4" = 1'-0"

**DETAIL 1**  
TYPICAL CABLE TRAY DROPOUT  
TO ATC ROOM CABINETS

**NOTE:**  
1. STATION DISTRIBUTION FRAME [39] INSTALLED BY OTHERS. CONTRACTOR TO INSTALL 4' X 4' X 3/4" MARINE PLYWOOD BACKBOARD.

THIS DOCUMENT AND ITS CONTENTS ARE THE PROPERTY OF BOMBARDIER INC. OR ITS SUBSIDIARIES. THIS DOCUMENT CONTAINS CONFIDENTIAL PROPRIETARY INFORMATION. THE REPRODUCTION, DISTRIBUTION, UTILIZATION OR THE COMMUNICATION OF THIS DOCUMENT OR ANY PART THEREOF, WITHOUT EXPRESS AUTHORIZATION IS STRICTLY PROHIBITED. OFFENDERS WILL BE HELD LIABLE FOR THE PAYMENT OF DAMAGES.

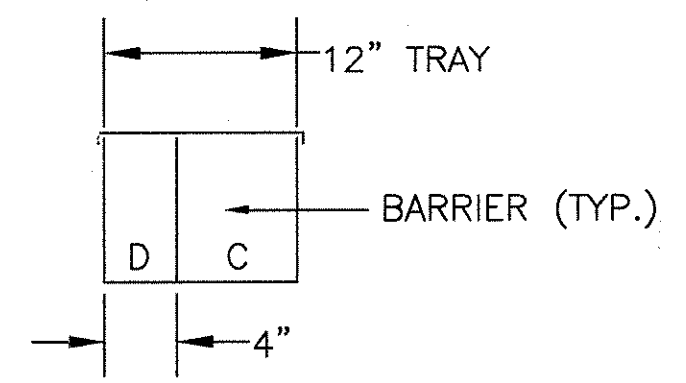
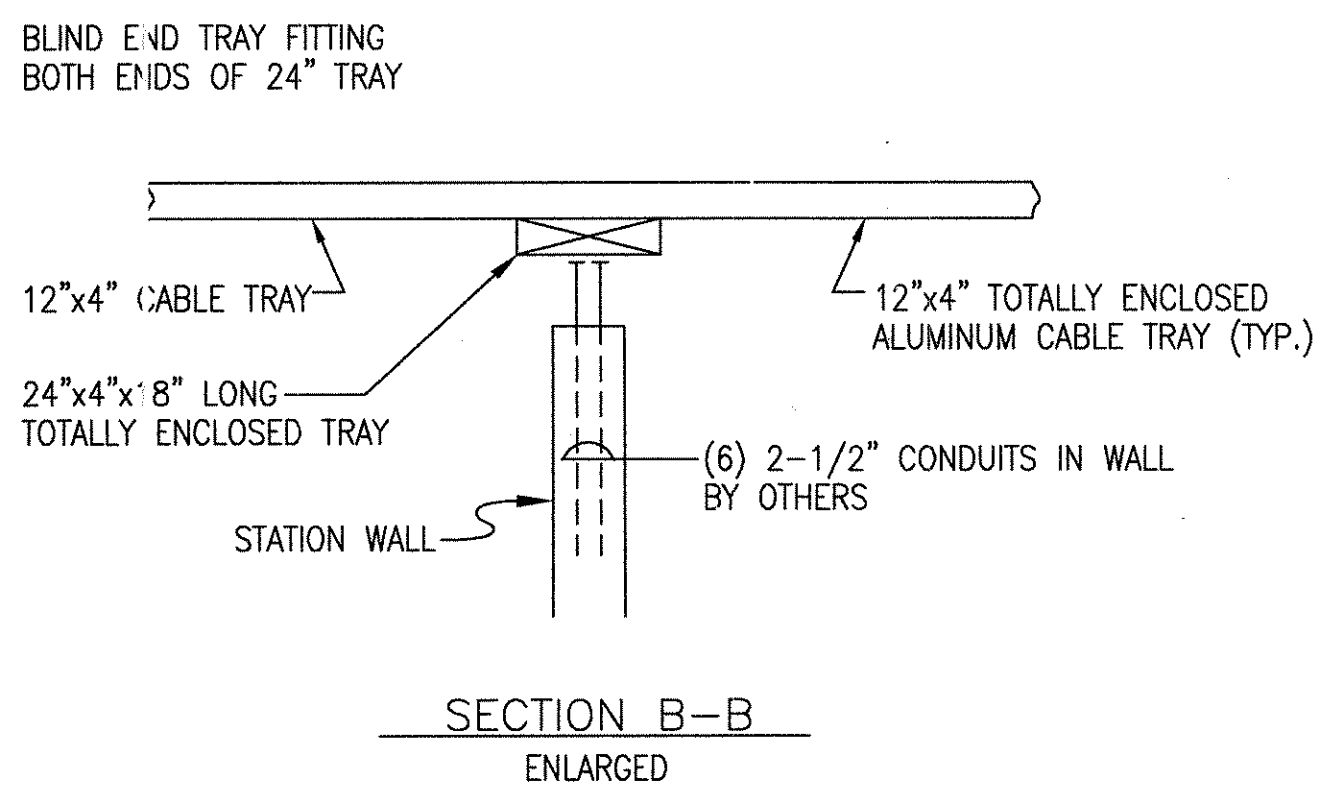
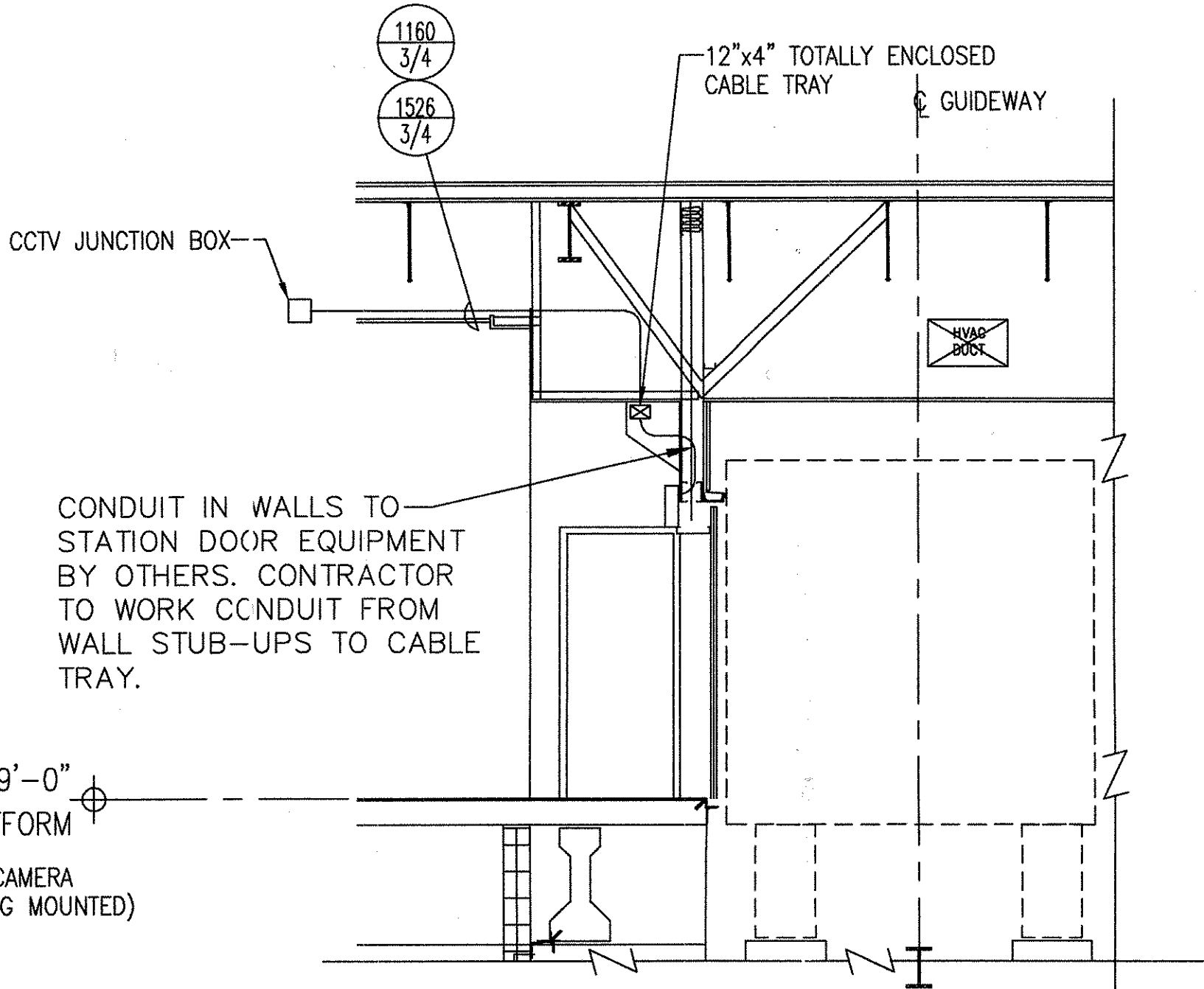
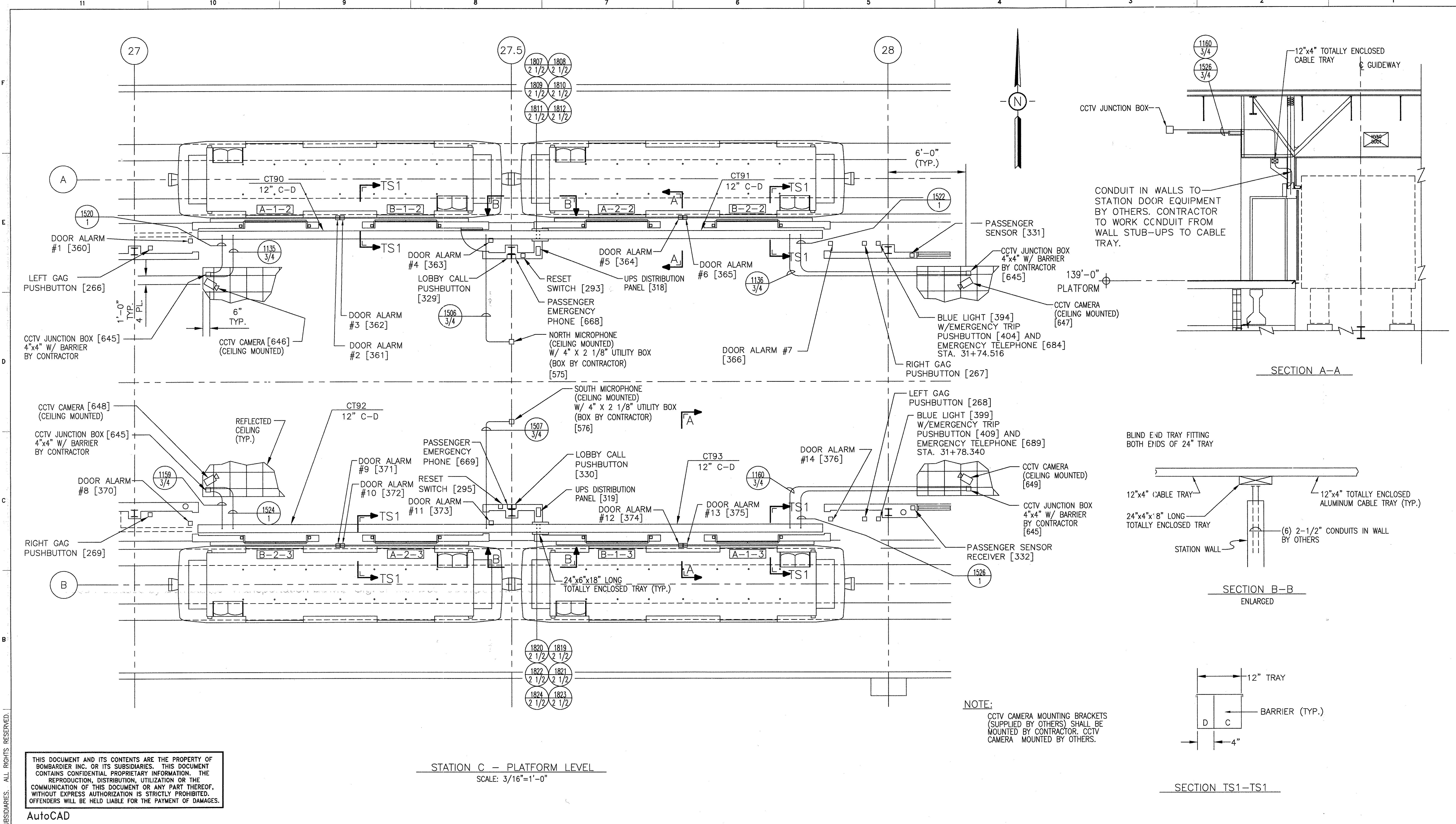
1	5	6	8
TCN HOAA-B2065-5D5212-H	SIGNATURES ON FILE	TCN HOAA-A3013	SIGNATURES ON FILE
CHANGE	(R)	ECN 42923	TCN HOAB-B2065
		ADDED CABINETS [806]	WR 2001346
		[807] AND CABLE TRAY	SHEETS 1, 3, 5 & 6
		CT-88	REVISED PER AS BUILT
		SEE SHEET 1	CONDITIONS
		F. BELMARES 7-9-03	P. CARSON 7/31/05
		T. NEVILLE	A. ROMEO
		J. CARNEVALE	J. CARNEVALE

APPROVED BY:  
DEPARTMENT OF AVIATION

**Continental Airlines**  
ABOVEGROUND PEOPLE MOVER  
George Bush Intercontinental Airport / Houston

DFTM.	DATE	<b>BOMBARDIER</b>	
CHKR.		TITLE	
ENGRG.	1-20-98	GEORGE BUSH INTERCONTINENTAL AIRPORT/HOUSTON	
P. S. IRBIS		STATION "C" CABLE TRAY AND CONDUIT	
MFG.		DIMENSIONS IN INCHES	
APPD.		SIZE	DWG. NO.
		D	5D80989
DFTG. SUPV.	1-20-98	SCALE	WT.
E.D. MATTY			
		SHEET	REV.
		3	8





**NOTE:**  
 CCTV CAMERA MOUNTING BRACKETS (SUPPLIED BY OTHERS) SHALL BE MOUNTED BY CONTRACTOR. CCTV CAMERA MOUNTED BY OTHERS.

STATION C - PLATFORM LEVEL  
 SCALE: 3/16"=1'-0"

THIS DOCUMENT AND ITS CONTENTS ARE THE PROPERTY OF BOMBARDIER INC. OR ITS SUBSIDIARIES. THIS DOCUMENT CONTAINS CONFIDENTIAL PROPRIETARY INFORMATION. THE REPRODUCTION, DISTRIBUTION, UTILIZATION OR THE COMMUNICATION OF THIS DOCUMENT OR ANY PART THEREOF, WITHOUT EXPRESS AUTHORIZATION IS STRICTLY PROHIBITED. OFFENDERS WILL BE HELD LIABLE FOR THE PAYMENT OF DAMAGES.

AutoCAD

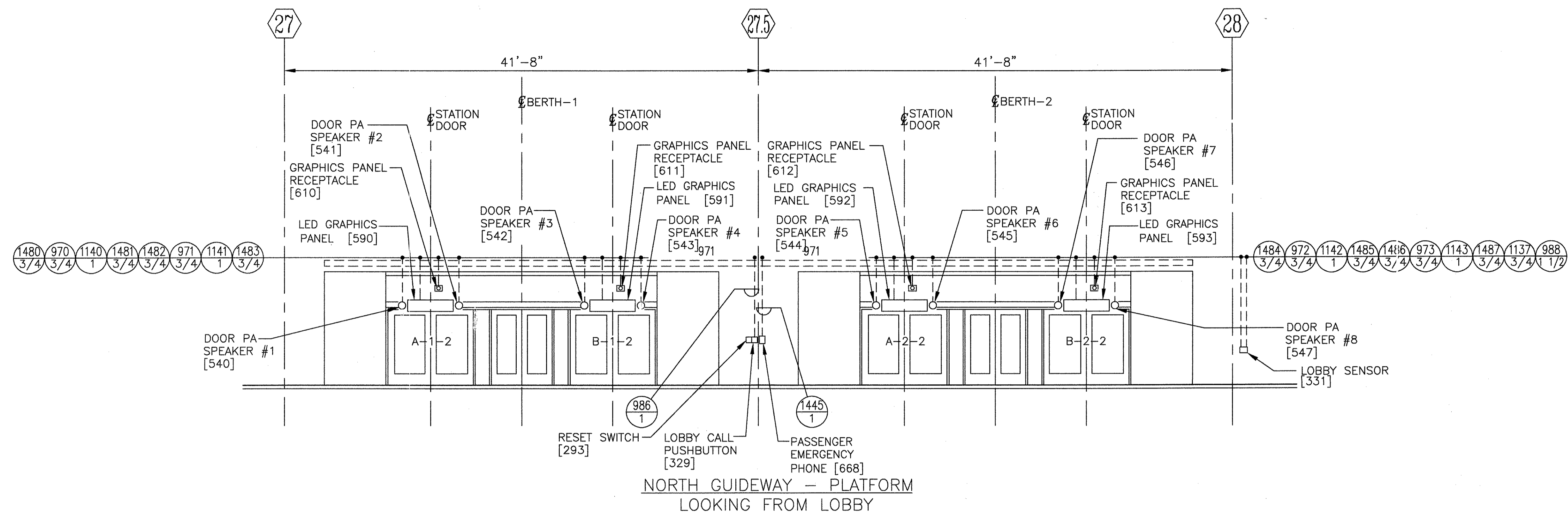
APPROVED BY:  
 DEPARTMENT OF AVIATION

**Continental Airlines**  
 ABOVEGROUND PEOPLE MOVER  
 George Bush Intercontinental Airport / Houston

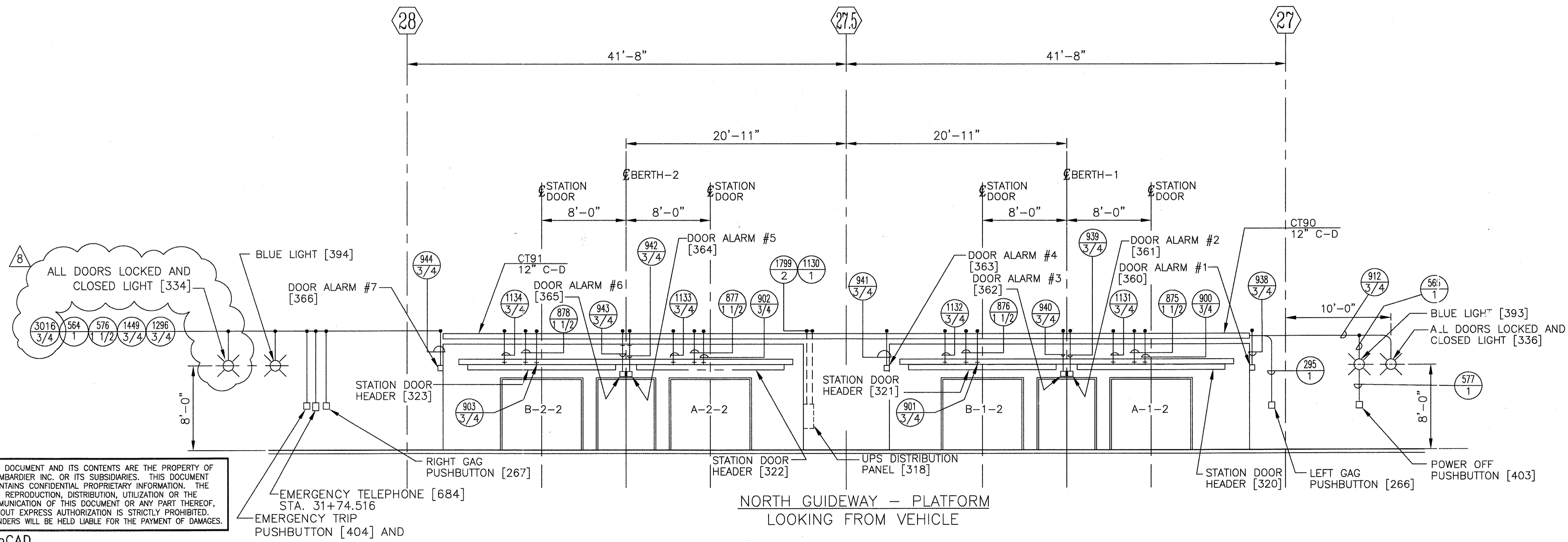
DFTM.	J. WIRNER	DATE	12/12/97
CHKR.			
ENGRG.	P. STIRBIS		
MFG.			
APPD.			
DFTG. :UPV.	E.D. MATTY		

<b>BOMBARDIER</b>		
TITLE GEORGE BUSH INTERCONTINENTAL AIRPORT/HOUSTON		
STATION "C" CABLE TRAY AND CONDUIT		
PLATFORM LEVEL		
DIMENSIONS IN INCHES		
SIZE	DWG. NO.	REV.
D	5D80989	8
SCALE	WT.	SHEET
2		4

1	TCN HOAB-B2065	5	SIGNATURES ON FILE	6	TCN HOAB-A3013	7	SIGNATURES ON FILE	8	TCN HOAB-B2065
2	5DS212-H	6	NO CHANGE THIS SHEET	7	ECN 39334	8	REVISED SOUTH GUIDEWAY	9	WR 2001346
3		7	SEE SHEET 1	8	F. BELMARES 7-9-03	9	DOOR BERTH NUMBERS	10	NO DRAWING CHANGE
4		8	F. BELMARES 7-9-03	9	T. NEVILLE	11	G. PALICHAT 02/05/04	12	TO THIS SHEET, FORMAT
5		9	J. CARNEVALE	10	T. NEVILLE	12	T. NEVILLE	13	CHANGE ONLY
6		10	J. CARNEVALE	11	J. CARNEVALE	13	J. CARNEVALE	14	P. CARSON 7/31/05
7		11	J. CARNEVALE	12	J. CARNEVALE	14	J. CARNEVALE	15	A. ROMEO
8		12	J. CARNEVALE	13	J. CARNEVALE	15	J. CARNEVALE	16	J. CARNEVALE



NORTH GUIDEWAY - PLATFORM  
LOOKING FROM LOBBY



NORTH GUIDEWAY - PLATFORM  
LOOKING FROM VEHICLE

THIS DOCUMENT AND ITS CONTENTS ARE THE PROPERTY OF BOMBARDIER INC. OR ITS SUBSIDIARIES. THIS DOCUMENT CONTAINS CONFIDENTIAL PROPRIETARY INFORMATION. THE REPRODUCTION, DISTRIBUTION, UTILIZATION OR THE COMMUNICATION OF THIS DOCUMENT OR ANY PART THEREOF, WITHOUT EXPRESS AUTHORIZATION IS STRICTLY PROHIBITED. OFFENDERS WILL BE HELD LIABLE FOR THE PAYMENT OF DAMAGES.

AutoCAD

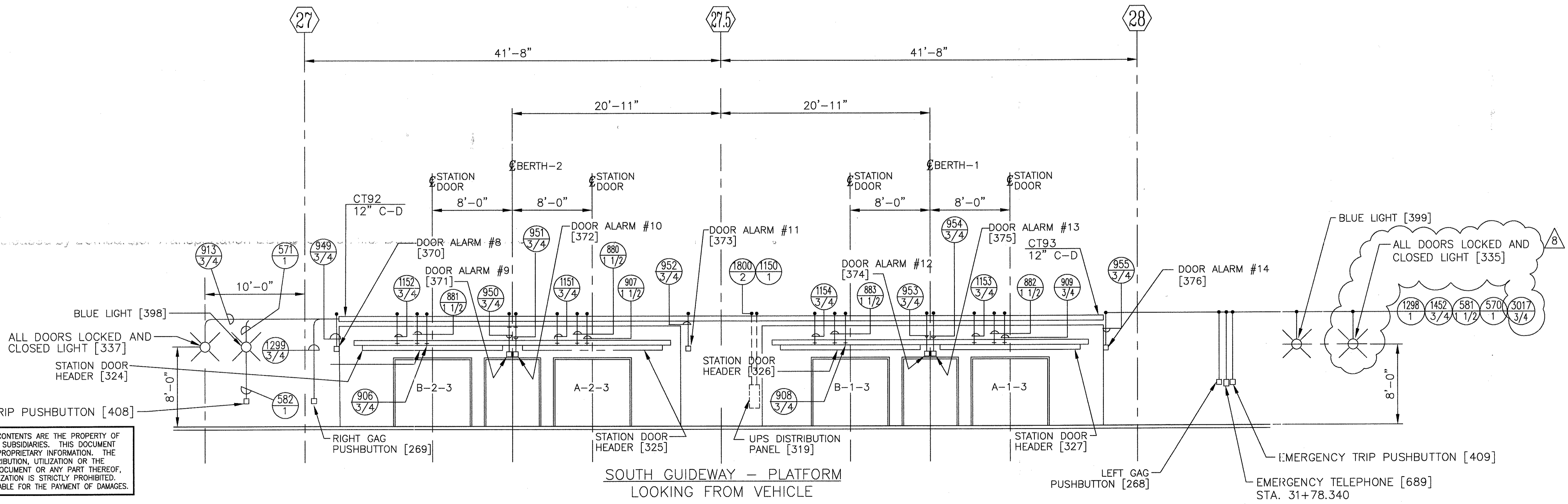
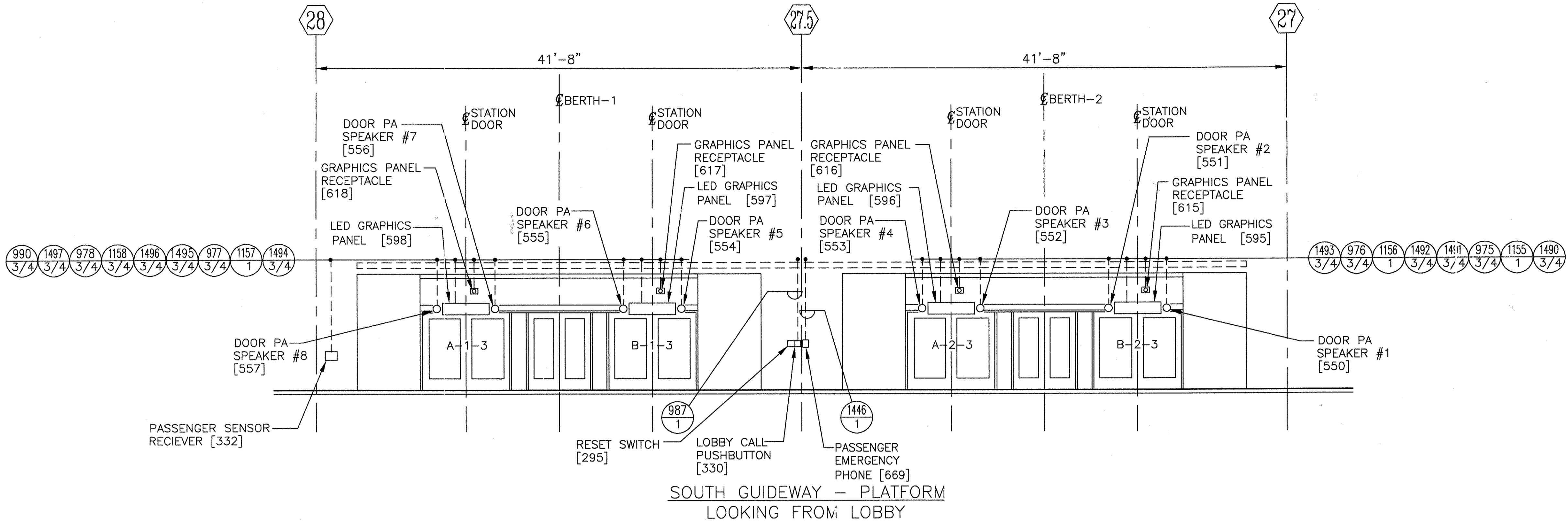
1	5	6	8
TCN HOAA-B2065	TCN HOAA-A3013	TCN HOAA-A3013	TCN HOAB-B2065
5DS212-H	EON 39334	NO CHANGE THIS SHEET	WR 2001346
CHANGE	(R)	SEE SHEET 1	SHEETS 1, 3, 5 & 6
		F. BELMARES 7-9-03	REVISED PER AS BUILT
		T. NEVILLE	CONDITIONS
		J. CARNEVALE	P. CARSON 7/31/05
			A. ROMEO
			J. CARNEVALE

APPROVED BY:  
\_\_\_\_\_  
DEPARTMENT OF AVIATION

**Continental Airlines**  
ABOVEGROUND  
PEOPLE MOVER  
George Bush  
Intercontinental Airport / Houston

DFTM.	DATE
F. BELMARES	11-18-97
CHKR.	
ENGR.	
P. STIRBIS	1-20-98
MFG.	
APPD.	
DFTG. :UPV.	
E.D. MATTY	1-20-98

<b>BOMBARDIER</b>	
TITLE GEORGE BUSH INTERCONTINENTAL AIRPORT/HOUSTON	
STATION "C" CABLE TRAY AND CONDUIT	
DIMENSIONS IN INCHES NORTH GUIDEWAY DOORS	
SIZE D	DWG. NO. 5D80989
SCALE 3/16"=1'-0" WT.	REV. 8
SHEET 5	



THIS DOCUMENT AND ITS CONTENTS ARE THE PROPERTY OF BOMBARDIER INC. OR ITS SUBSIDIARIES. THIS DOCUMENT CONTAINS CONFIDENTIAL PROPRIETARY INFORMATION. THE REPRODUCTION, DISTRIBUTION, UTILIZATION OR THE COMMUNICATION OF THIS DOCUMENT OR ANY PART THEREOF, WITHOUT EXPRESS AUTHORIZATION IS STRICTLY PROHIBITED. OFFENDERS WILL BE HELD LIABLE FOR THE PAYMENT OF DAMAGES.

AutoCAD

1	TCN HOAA-B2065
5	5DS212-A
6	CHG

SIGNATURES ON FILE  
 TCN HOAA-A3013  
 ECN 38334  
 NO CHANGE THIS SHEET  
 SEE SHEET 1  
 F. BELMARES 7-9-03  
 T. NEVILLE  
 J. CARNEVALE

SIGNATURES ON FILE  
 TCN HOAB-B2065  
 ECN 60217  
 REVISED SOUTH GUIDEWAY  
 DOOR BERTH NUMBERS  
 G. PALCHAT 02/05/04  
 T. NEVILLE  
 J. CARNEVALE

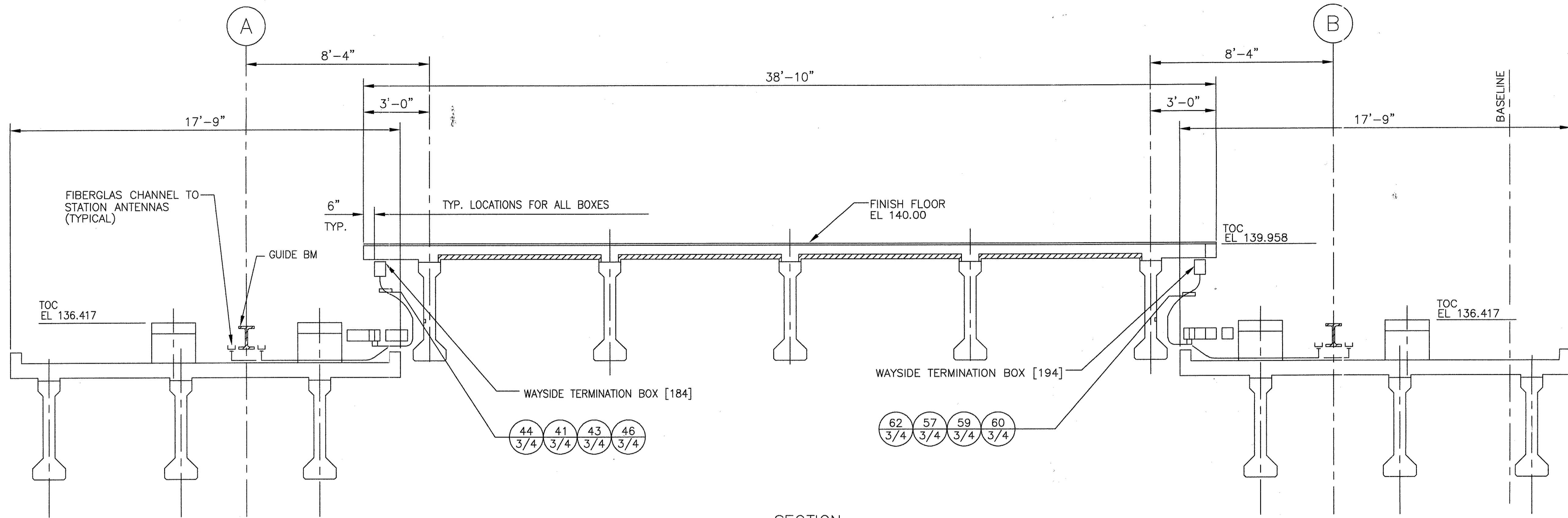
SIGNATURES ON FILE  
 TCN HOAB-B2065  
 WR 2001346  
 SHEETS 1, 3, 5 & 6  
 REVISED PER AS BUILT  
 CONDITIONS  
 P. CARSON 7/31/05  
 A. ROMEO  
 J. CARNEVALE

APPROVED BY:  
 \_\_\_\_\_  
 DEPARTMENT OF AVIATION

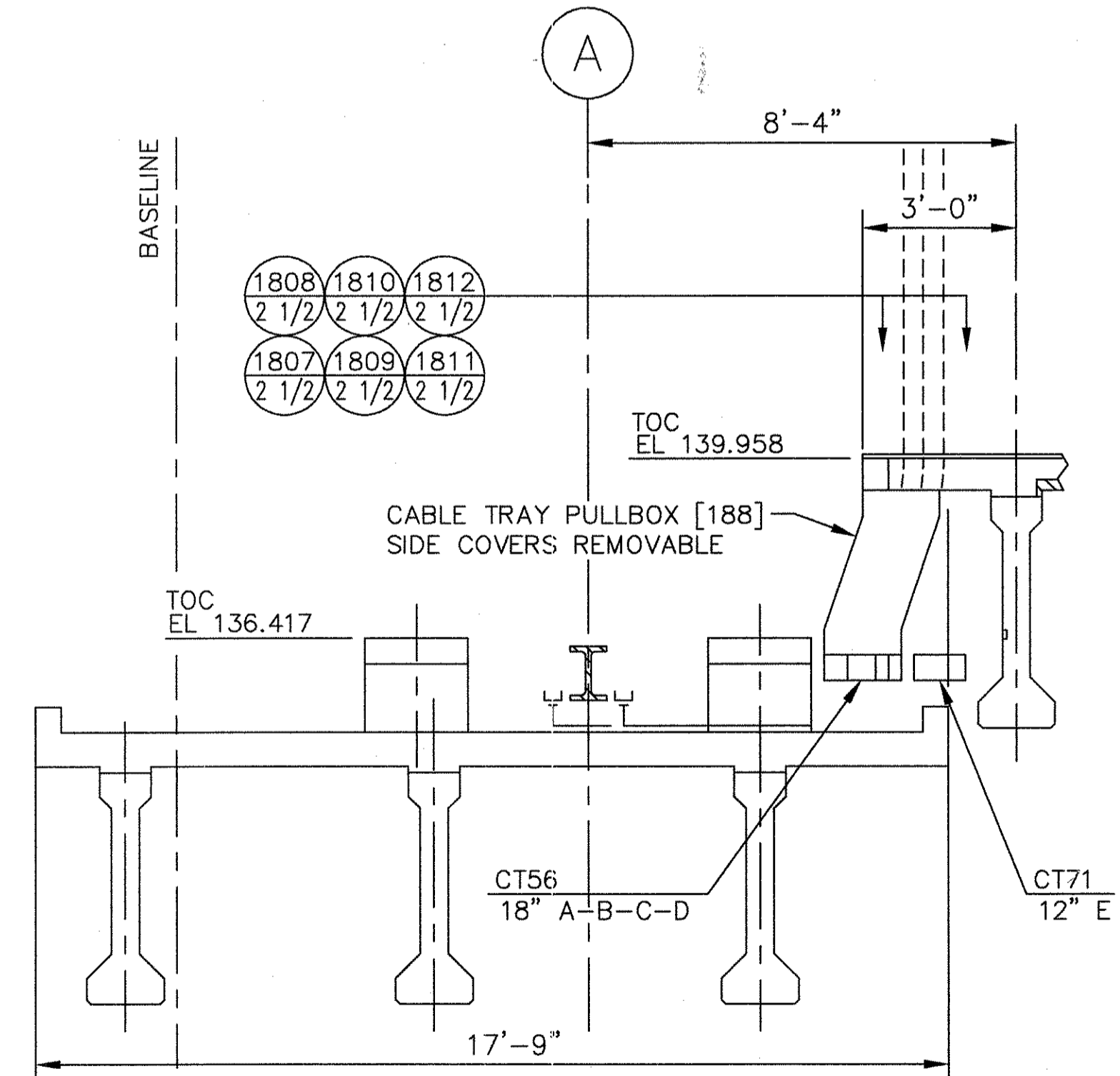
**Continental Airlines**  
 ABOVEGROUND  
 PEOPLE MOVER  
 George Bush  
 Intercontinental Airport / Houston

DFTM.	F. BELMARES	DATE	11-18-97
CHKR.			
ENGRG.	P. STIRBIS		1-20-98
MFG.			
APPD.			
DFTG. SUPV.	E.D. MATTY		1-20-98

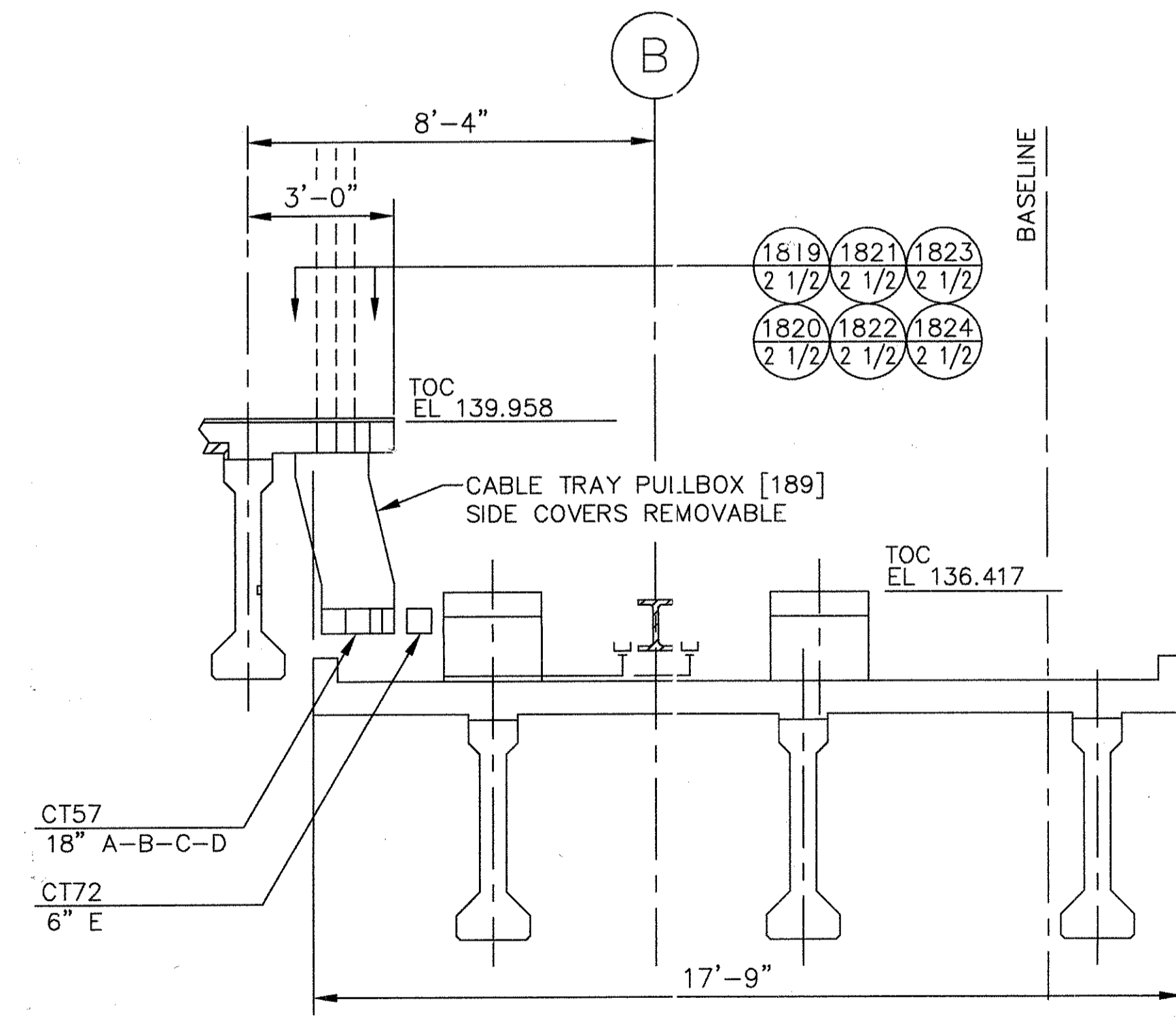
<b>BOMBARDIER</b>			
TITLE GEORGE BUSH INTERCONTINENTAL AIRPORT/HOUSTON			
STATION "C" CABLE TRAY AND CONDUIT			
DIMENSIONS IN INCHES SOUTH GUIDEWAY DOORS			
SIZE	D	DWG. NO.	5D80989
SCALE	3/16"=1'-0"	SHEET	6
		REV.	8



**SECTION A**  
5D80992 SH. 11  
(TYPICAL WAYSIDE TERM. BOX LOCATION  
IN STATION C PLATFORM AREA)



**SECTION B-B**  
5D80922 SH. 11



**SECTION C-C**  
5D80922 SH. 11

**NOTE:**  
1. FOR REINFORCEMENT OF CAST-IN-PLACE BEAM SEE BEAM SCHEDULE

THIS DOCUMENT AND ITS CONTENTS ARE THE PROPERTY OF BOMBARDIER INC. OR ITS SUBSIDIARIES. THIS DOCUMENT CONTAINS CONFIDENTIAL PROPRIETARY INFORMATION. THE REPRODUCTION, DISTRIBUTION, UTILIZATION OR THE COMMUNICATION OF THIS DOCUMENT OR ANY PART THEREOF, WITHOUT EXPRESS AUTHORIZATION IS STRICTLY PROHIBITED. OFFENDERS WILL BE HELD LIABLE FOR THE PAYMENT OF DAMAGES.

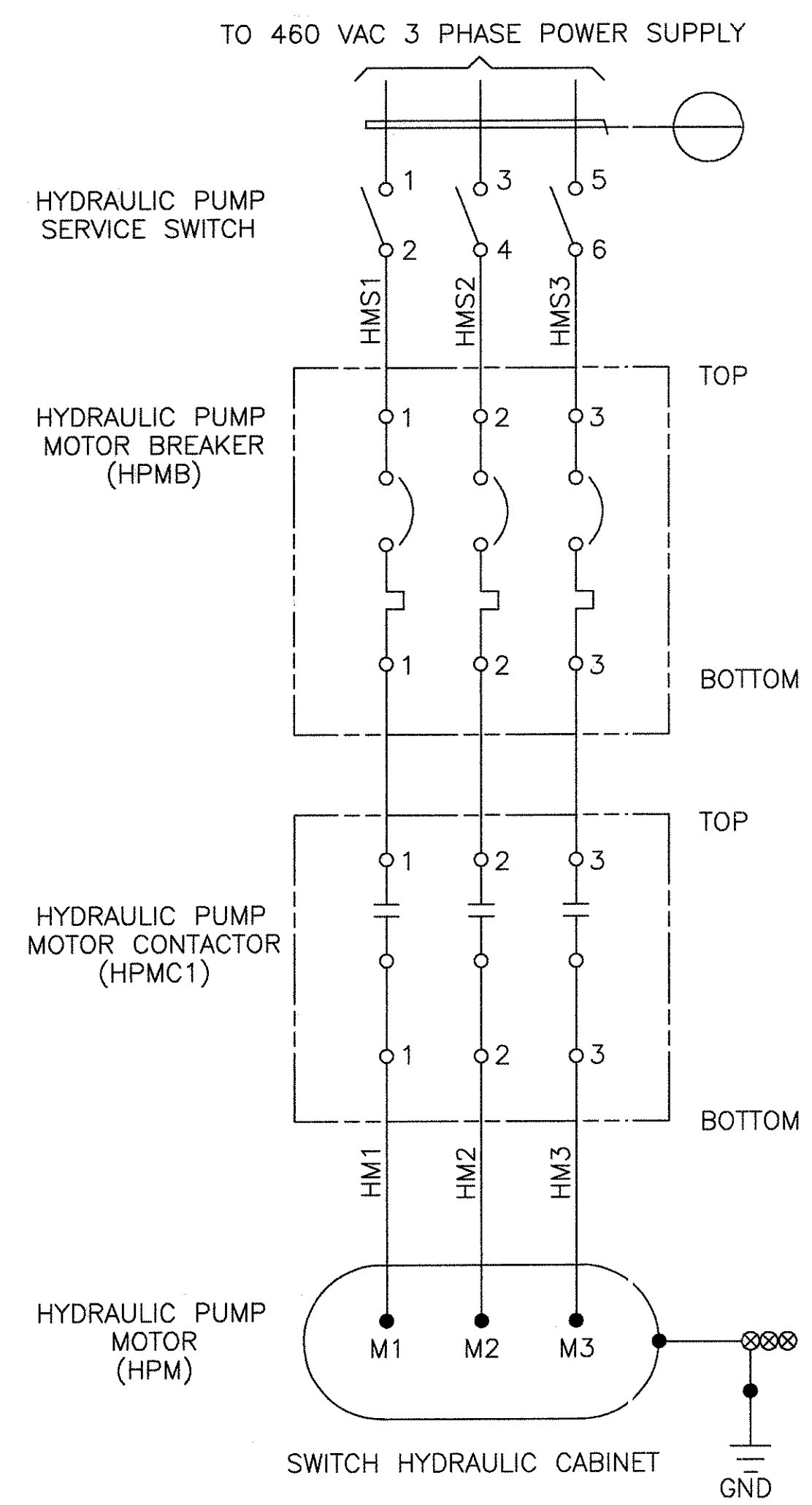
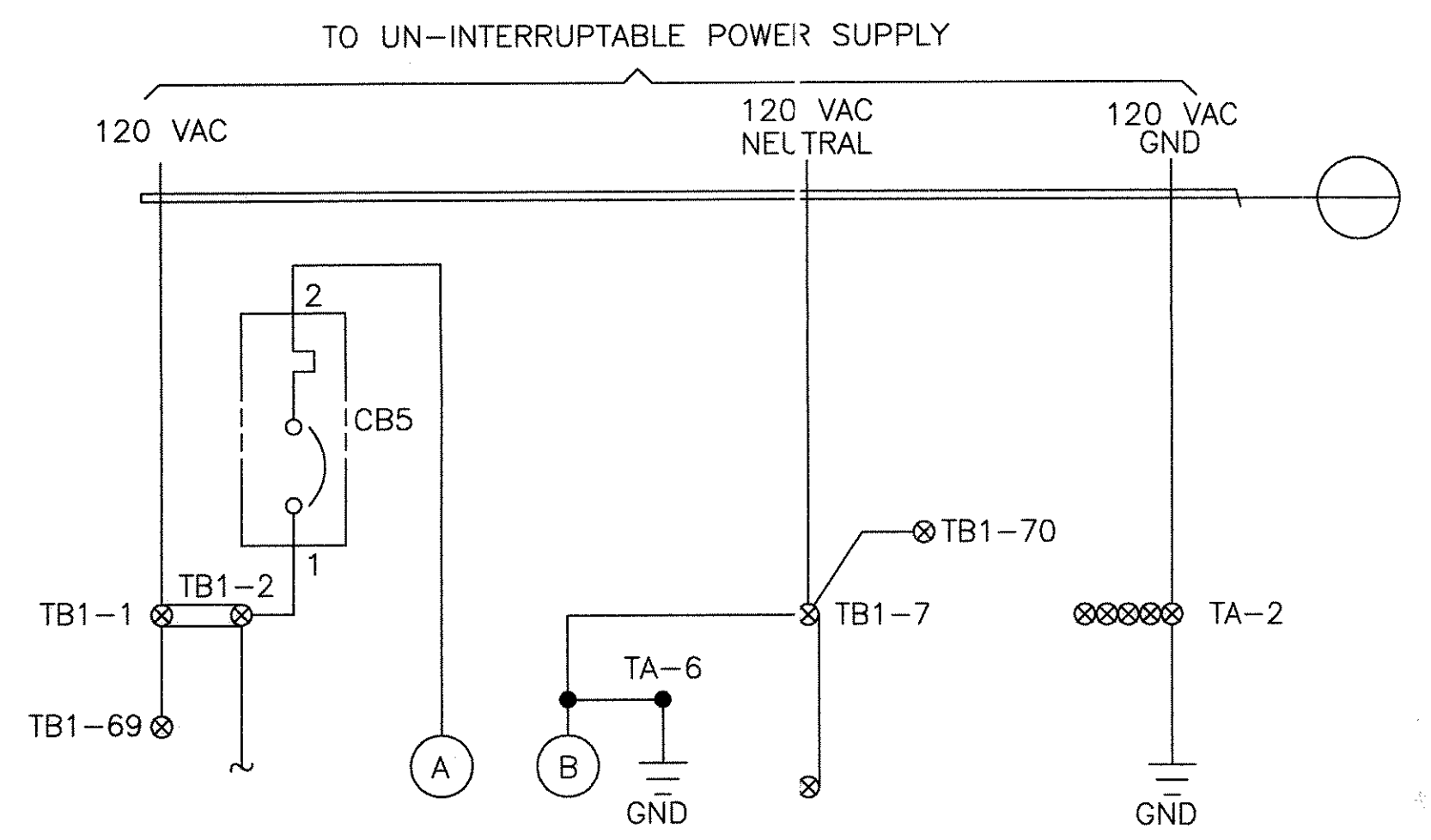
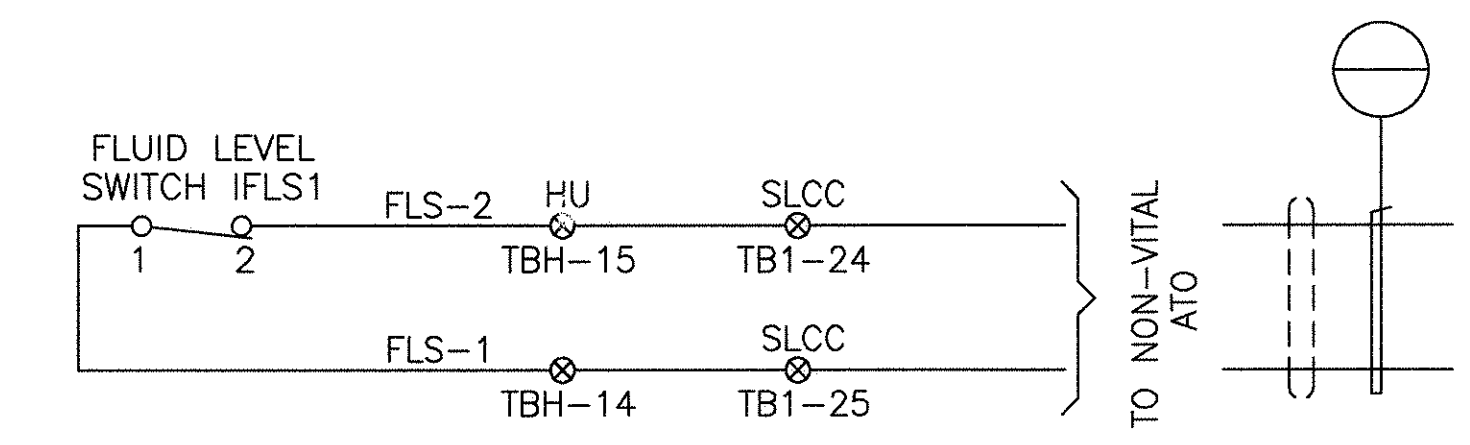
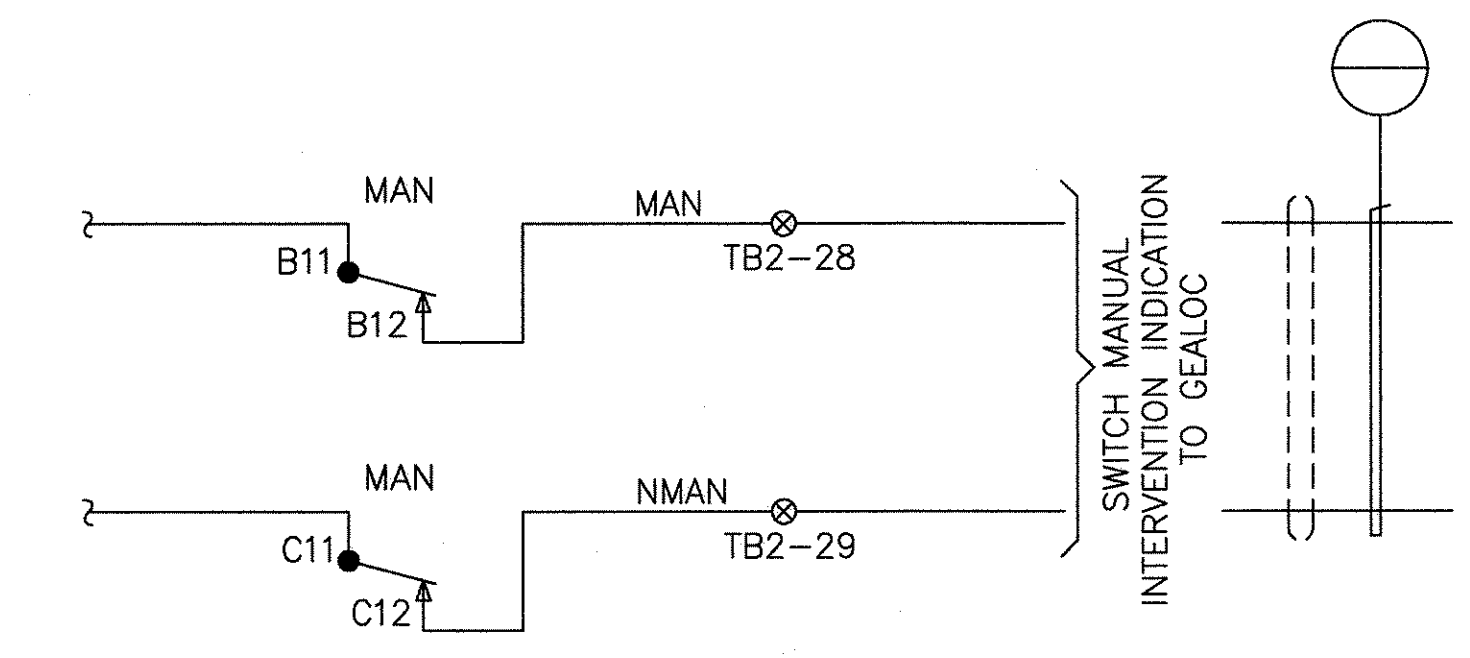
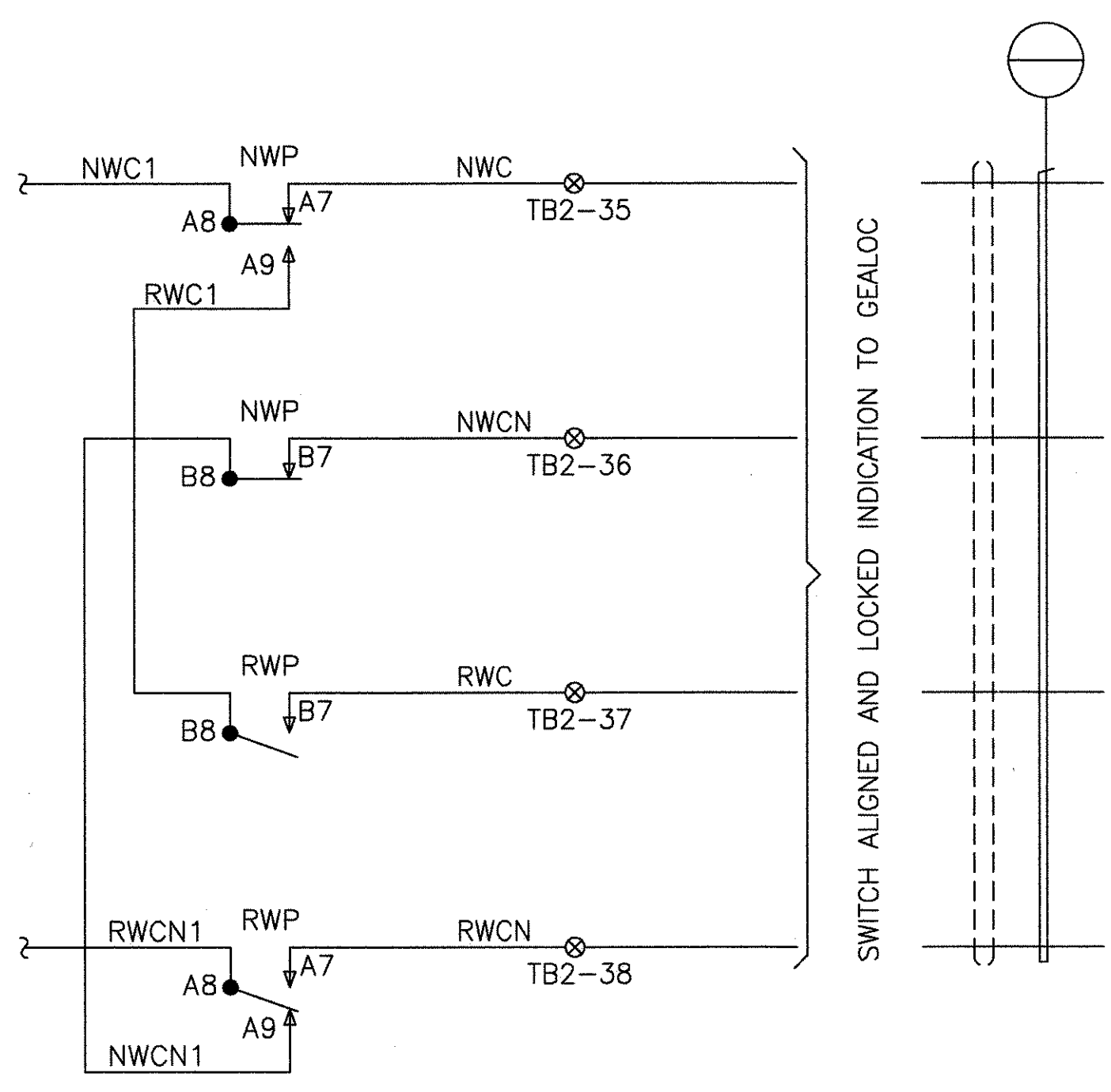
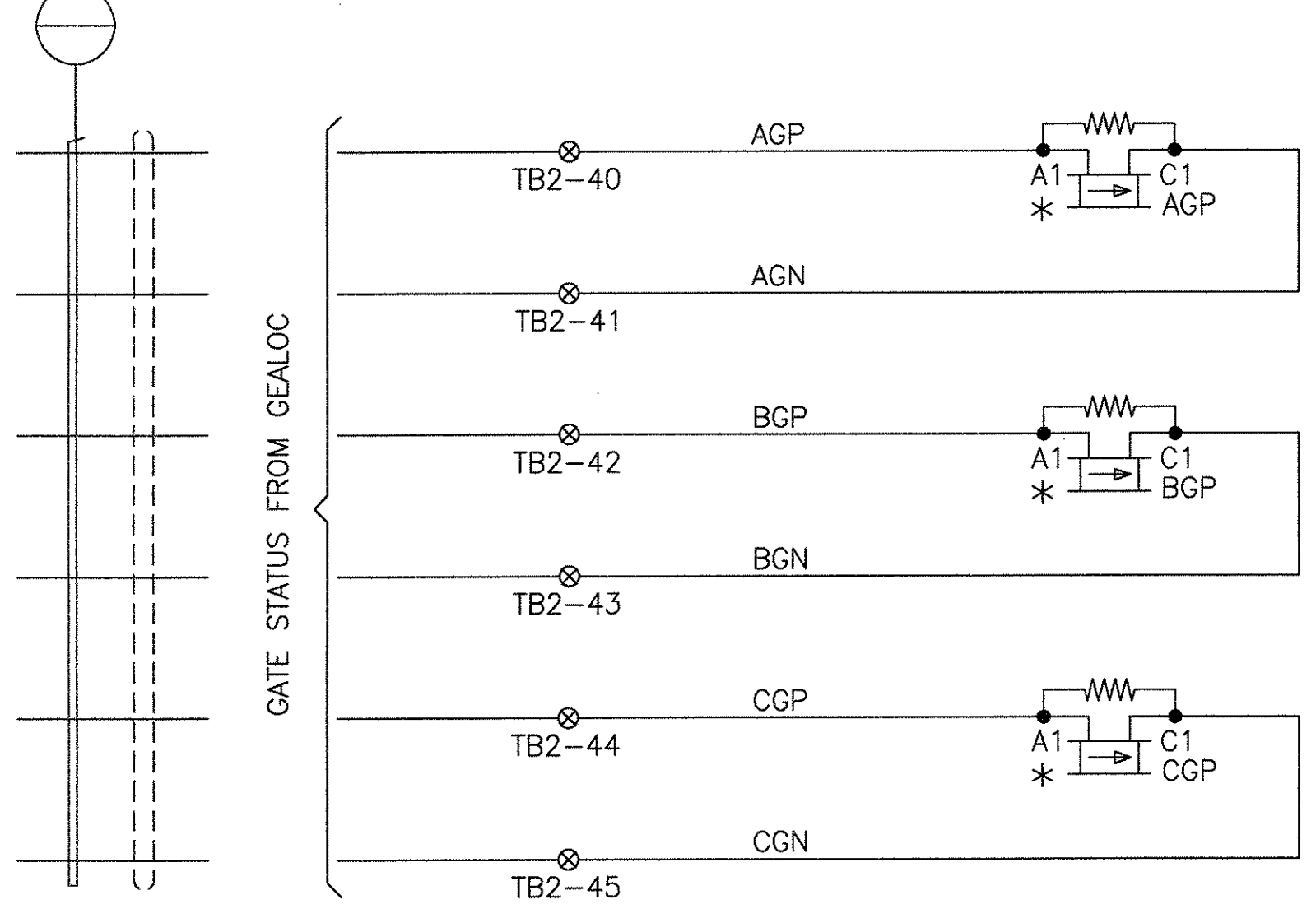
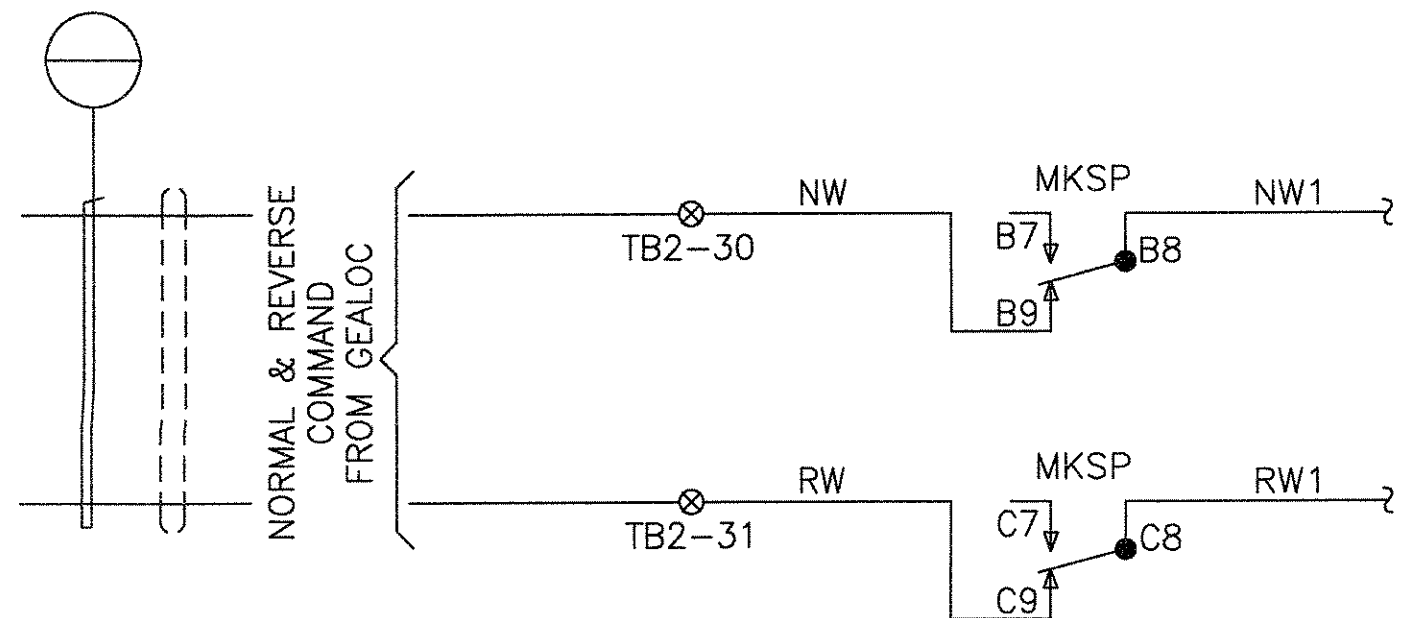
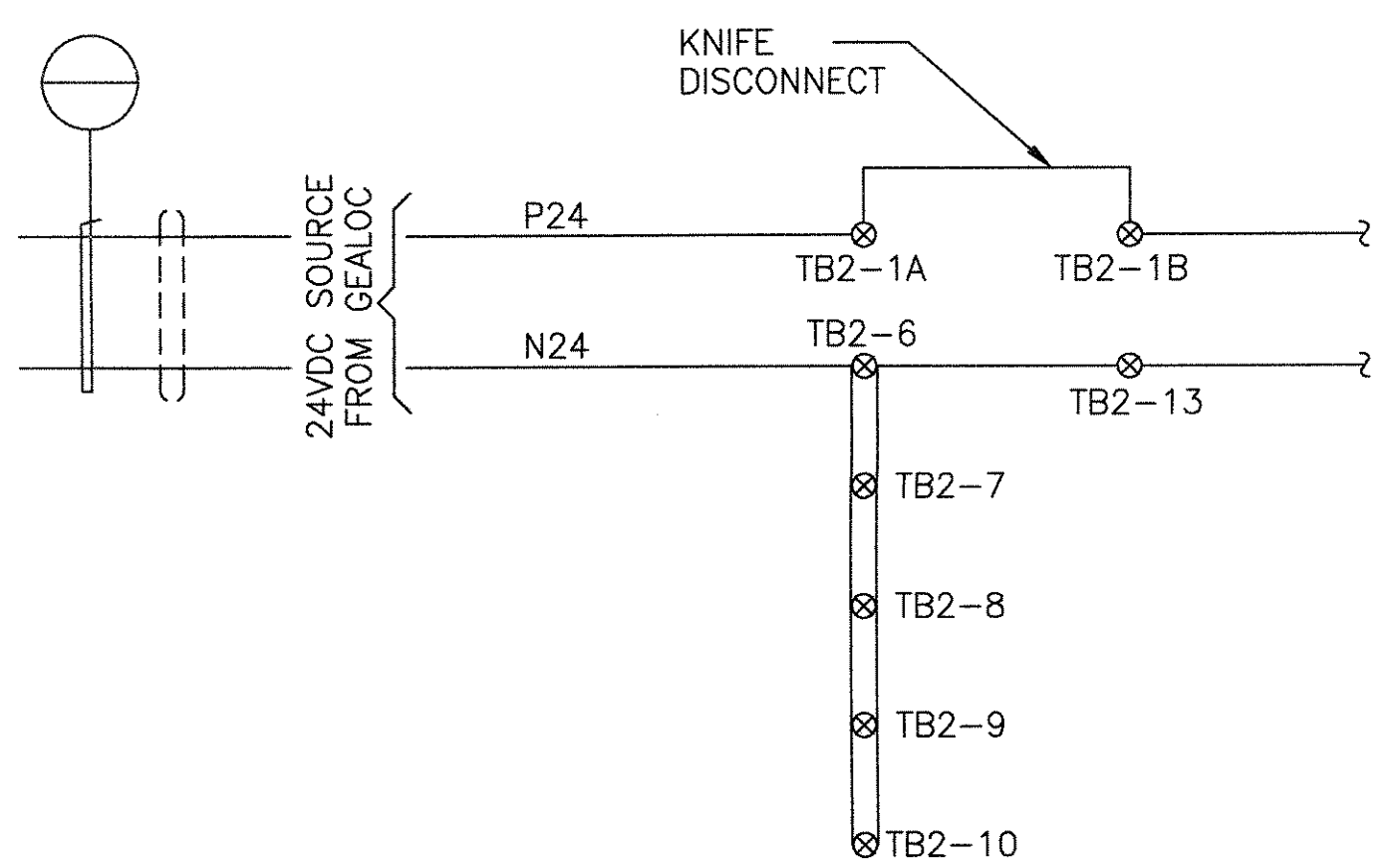
1	5	6	8
TCN HOAA-B2065 D. 5DS212-H CHANGE	SIGNATURES ON FILE TCN HOAA-A3013 ECN 39334	NO CHANGE THIS SHEET SEE SHEET 1 F. BELMARES 7-9-03 T. NEVILLE J. CARNEVALE	SIGNATURES ON FILE TCN HOAB-B2065 WR 2001346 NO DRAWING CHANGE TO THIS SHEET, FORMAT CHANGE ONLY P. CARSON 7/31/05 A. ROMEO J. CARNEVALE

APPROVED BY:  
DEPARTMENT OF AVIATION

**Continental Airlines**  
ABOVEGROUND PEOPLE MOVER  
George Bush Intercontinental Airport / Houston

DFTM. CHKR.	DATE
K. SIEWCZYK	11-19-97
ENGRG.	DATE
P. S'IRBIS	1-20-98
MFG.	
APPD.	400
DFTG. SUPV.	DATE
E.D. MATTY	1-20-98

<b>BOMBARDIER</b>	
TITLE GEORGE BUSH INTERCONTINENTAL AIRPORT/HOUSTON STATION C CABLE TRAY AND CONDUIT	
DIMENSIONS IN INCHES	
SIZE D	DWG. NO. 5D80989
SCALE: 3/8"=1'-0" WT.	REV. 8
SHEET 7	



- NOTES:**
1. CABLES TO BE INSTALLED IN PHASE 1.
  2. CABLES TO BE TERMINATED IN PHASE 2.
  3. SLCC TO BE INSTALLED IN PHASE 2.
  4. TRAFFIC LIGHTS TO BE INSTALLED IN PHASE 2.

TYPICAL SWITCH LOGIC CONTROL CABINET INPUTS/OUTPUTS WIRING

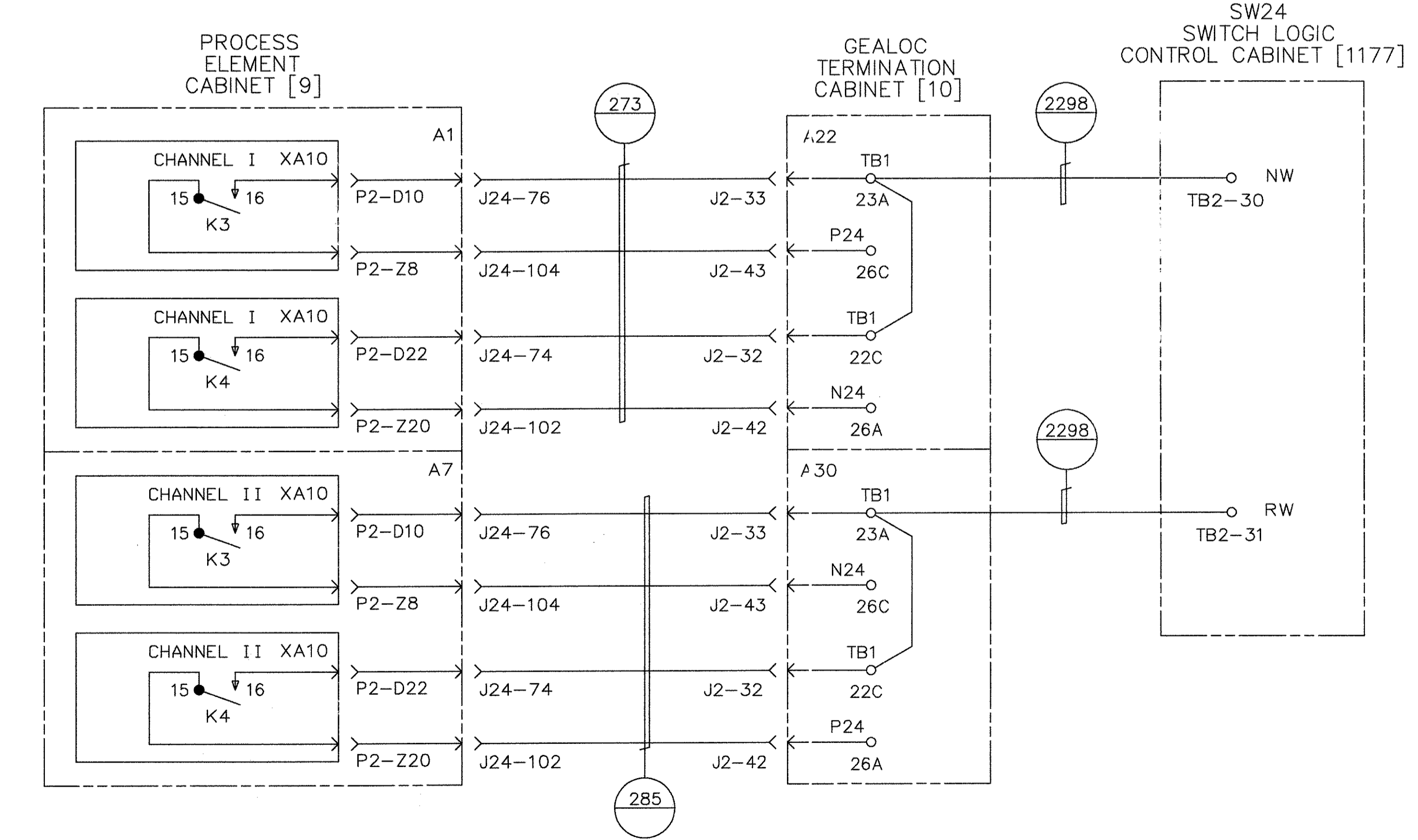
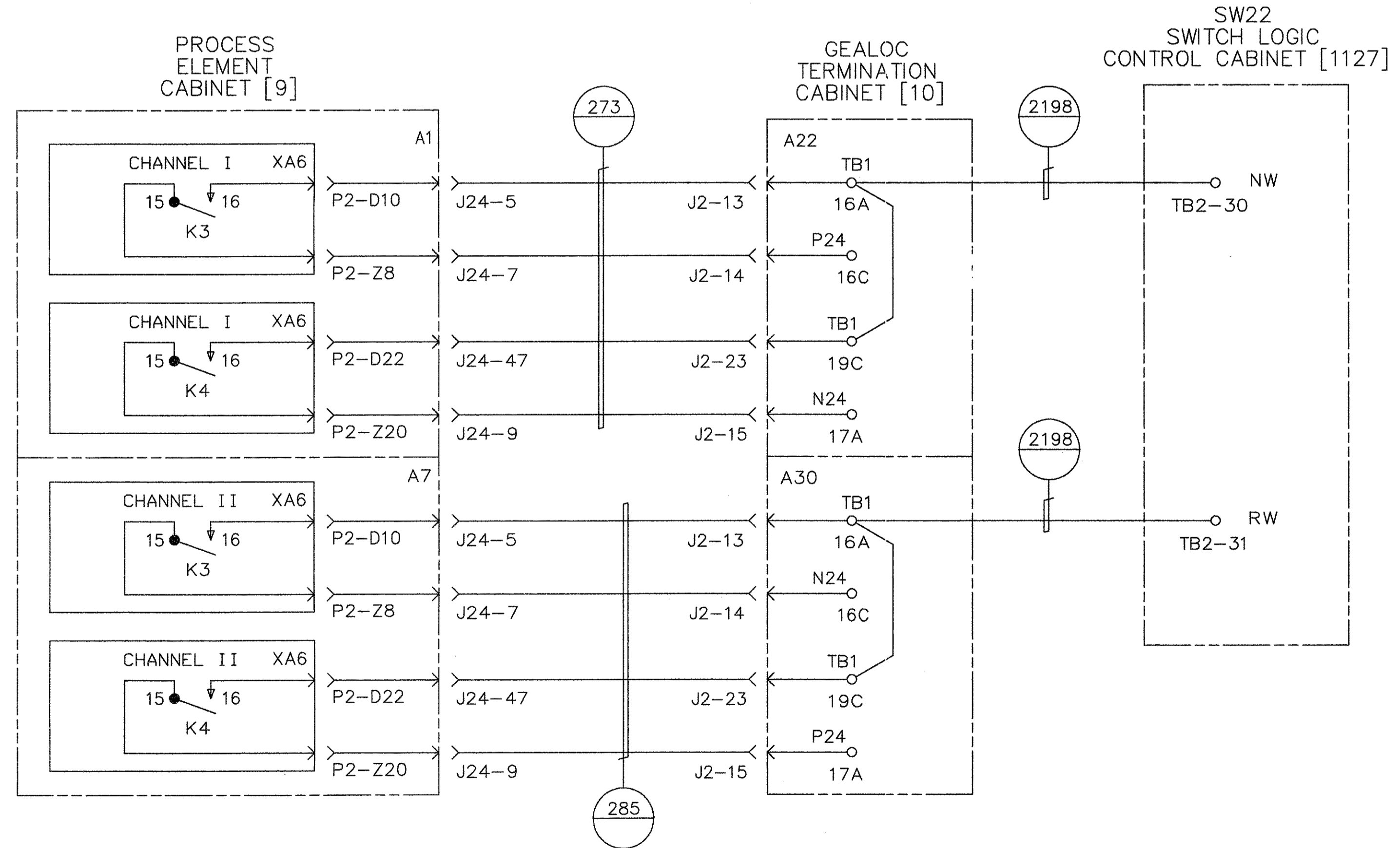
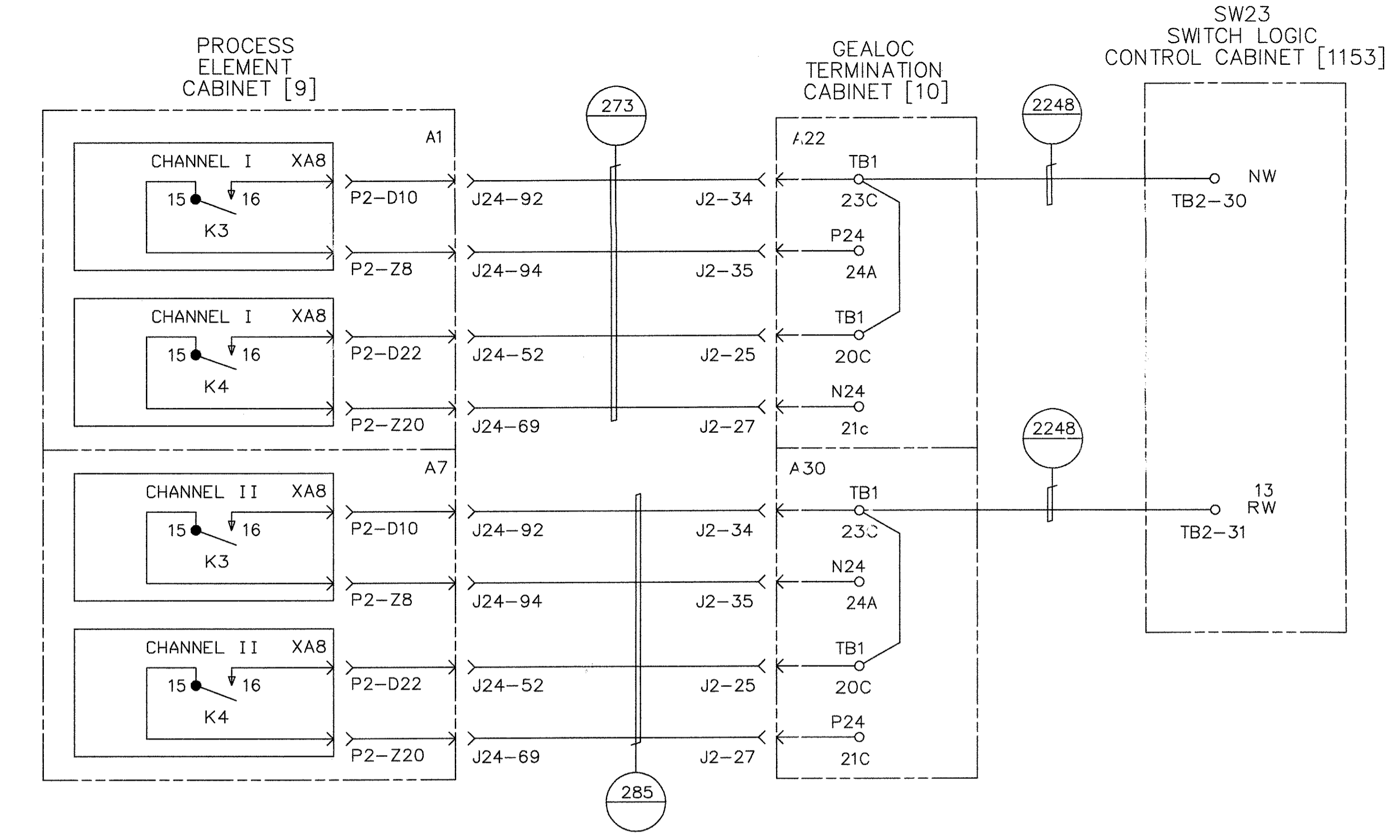
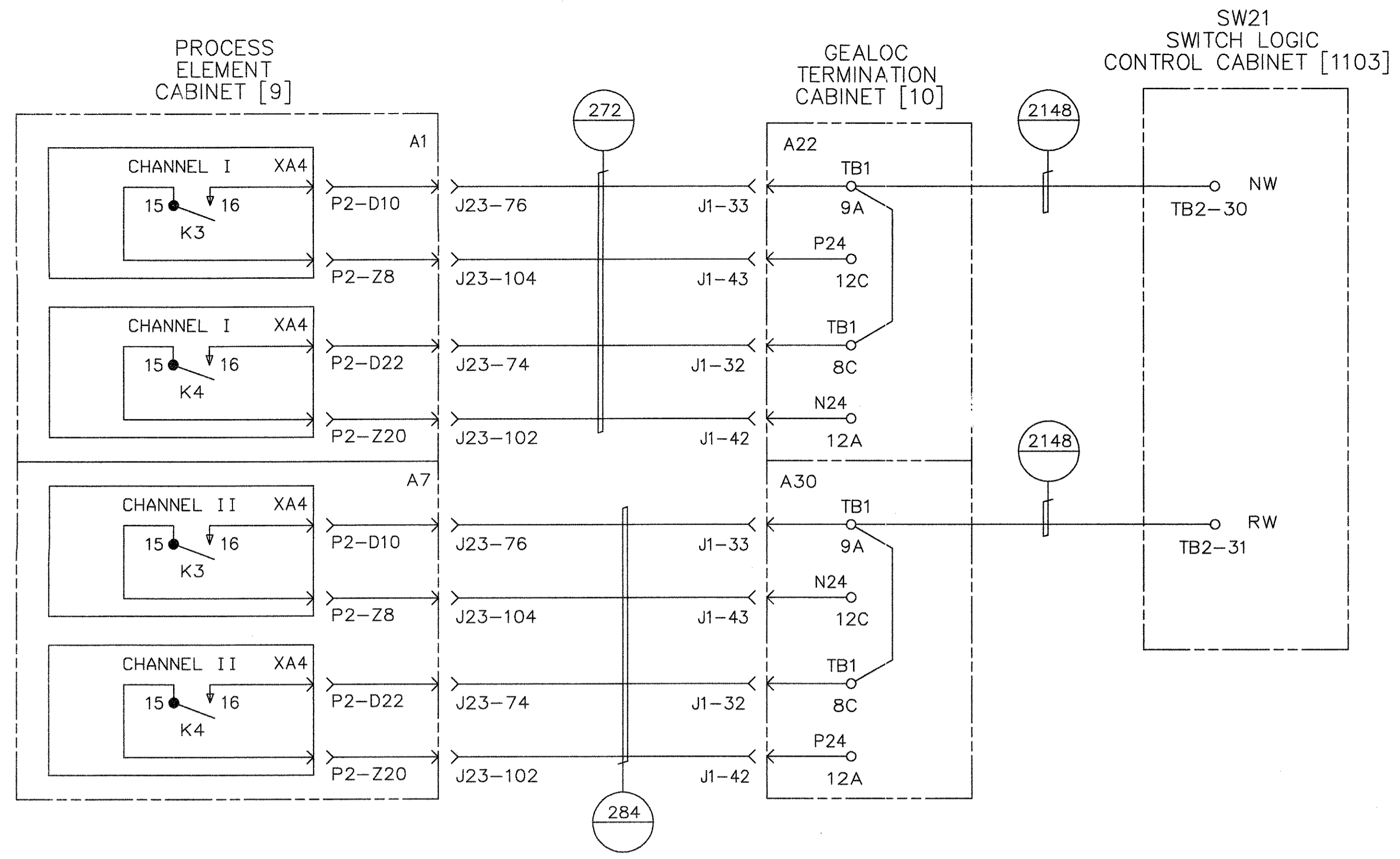
PROPRIETARY INFORMATION - SEE SHEET 1

AutoCAD

GEOMETRIC CHARACTERISTIC SYMBOLS	
FLATNESS	—
STRAIGHTNESS	—
ROUNDNESS (CIRCULARITY)	—
CYLINDRICITY	—
PROFILE OF ANY LINE	—
PROFILE OF ANY SURFACE	—
PARALLELISM	—
PERPENDICULARITY (SQUARENESS)	—
ANGULARITY	—
RUNOUT	—
TRUE POSITION	—
CONCENTRICITY	—
SYMMETRY	—
MAXIMUM MATERIAL CONDITION (MMC)	—
REGARDLESS OF FEATURE SIZE	—

DFTM. J. LYNISKEY	DATE 8-27-97
CHKR.	
ENGRG. K. RYAN	
MFG.	
APPD.	
DFTG. SU/IV. E.D. MATTY	2410

<b>BOMBARDIER</b>	
TITLE WAYSIDE SYSTEM SCHEMATIC	
GEORGE BUSH INTERCONTINENTAL AIRPORT-HOUSTON	
DIMENSIONS IN INCHES	
SIZE D	DWG. NO. 5D81332
SCALE NONE	WT. SHEET 81
REV. 9	



**X02**  
**SWITCH GEALOC OUTPUTS**  
**SW21, 22, 23, 24**

PROPRIETARY INFORMATION - SEE SHEET 1

AutoCAD

<b>GEOMETRIC CHARACTERISTIC SYMBOLS</b> FLATNESS STRAIGHTNESS ROUNDNESS (CIRCULARITY) CYLINDRICITY PROFILE OF ANY LINE PROFILE OF ANY SURFACE PARALLELISM PERPENDICULARITY (SQUARENESS) ANGULARITY RUNOUT TRUE POSITION CONCENTRICITY SYMMETRY MAXIMUM MATERIAL CONDITION (MMC) REGARDLESS OF FEATURE SIZE	DFTM. J.LYNSKEY CHKR.	DATE 10-1-97	<b>BOMBARDIER</b>  TITLE WAYSIDE SYSTEM SCHEMATIC  GEORGE BUSH INTERCONTINENTAL AIRPORT-HOUSTON  DIMENSIONS IN INCHES DWG. NO. 5D81332 REV. 9 SCALE NONE WT. SHEET 82
	ENGRG. K. RYAN MFG.  APPD.  DFTG. SU/IV. E.D. WATY	247	

THIS SHEET INTENTIONALLY LEFT BLANK

PROPRIETARY INFORMATION - SEE SHEET 1

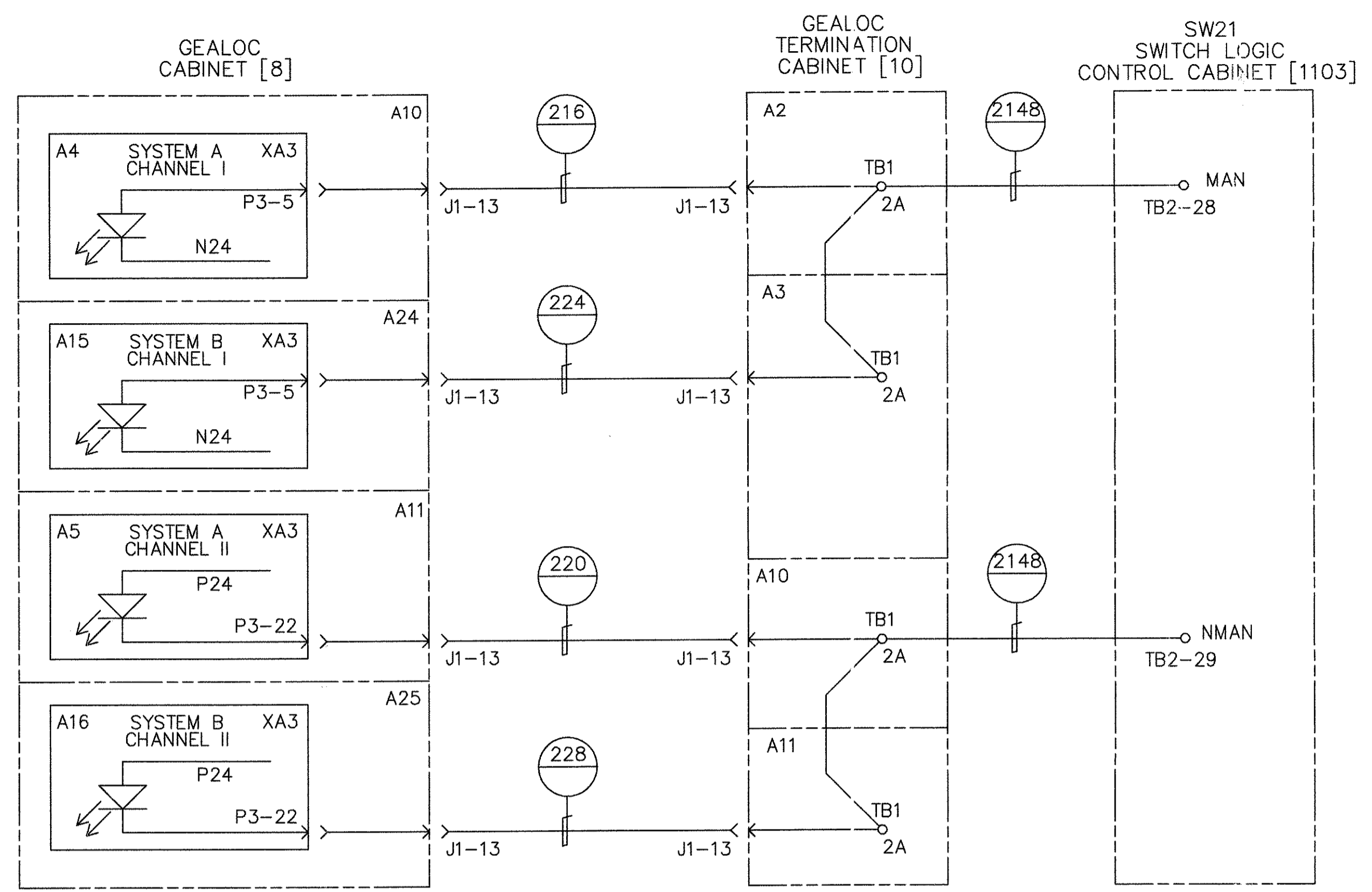
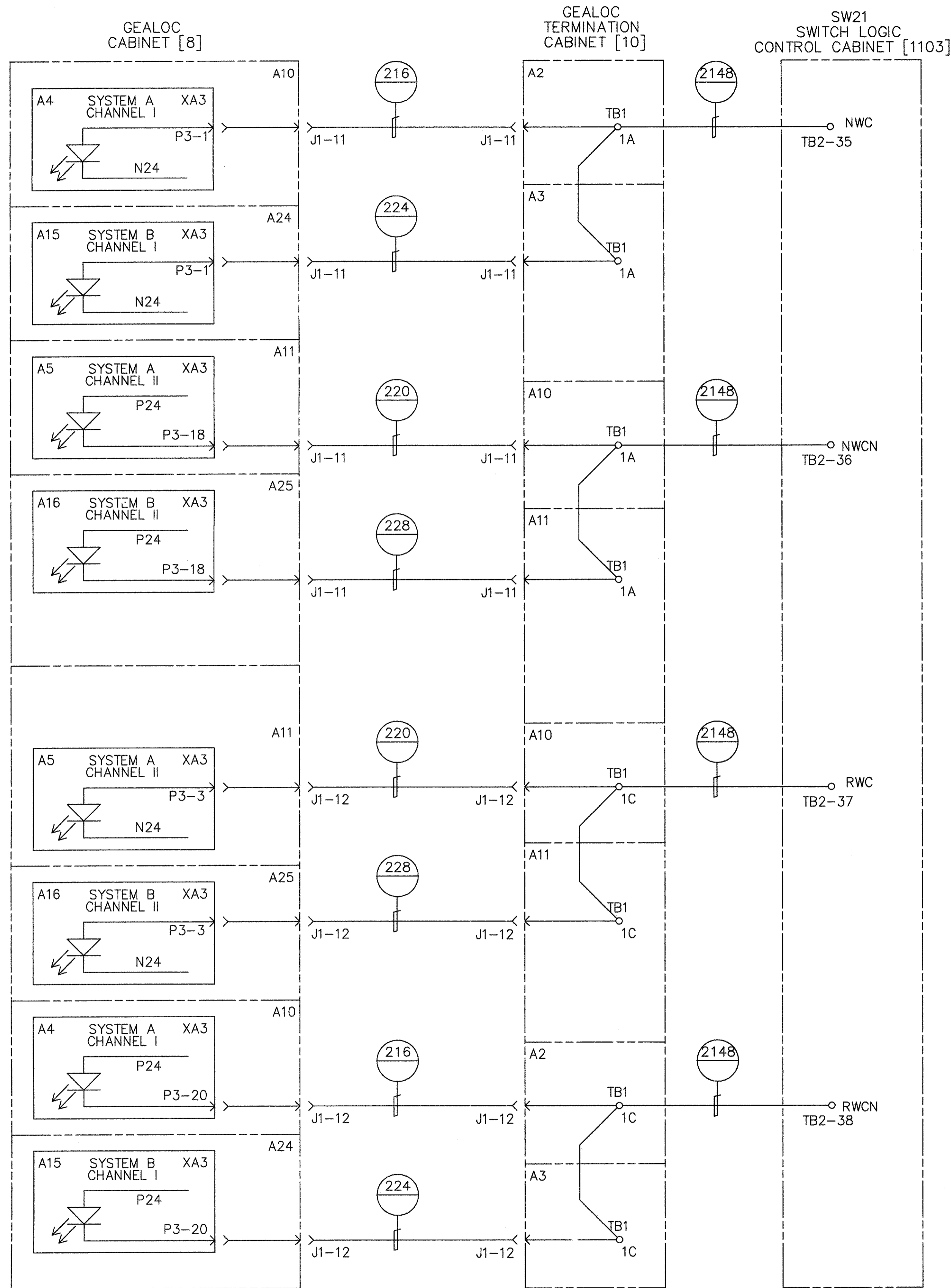
AutoCAD

GEOMETRIC CHARACTERISTIC SYMBOLS	
FLATNESS	▭
STRAIGHTNESS	—
ROUNDNESS (CIRCULARITY)	○
CYLINDRICITY	⊘
PROFILE OF ANY LINE	⌒
PROFILE OF ANY SURFACE	⌒
PARALLELISM	∥
PERPENDICULARITY (SQUARENESS)	⊥
ANGULARITY	∠
ROUNDOUT	⊕
TRUE POSITION	⊕
CONCENTRICITY	⊕
SYMMETRY	⊕
MAXIMUM MATERIAL CONDITION (MMC)	Ⓜ
REGARDLESS OF FEATURE SIZE	Ⓜ

DFTM.	J.LYNSKEY	DATE	10-1-97
CHKR.			
ENGRG.	K. RYAN		
MFG.			
APPD.	E.D. WATTY		

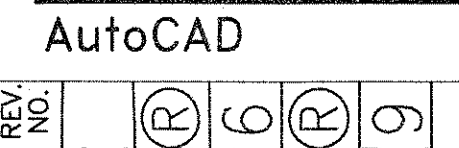
<b>BOMBARDIER</b>			
TITLE WAYSIDE SYSTEM SCHEMATIC			
GEORGE BUSH INTERCONTINENTAL AIRPORT-HOUSTON			
DIMENSIONS IN INCHES			
SIZE	D	DWG. NO.	5D81332
SCALE	NONE	WT.	
SHEET	83	REV.	9

© 2005 BOMBARDIER INC. OR ITS SUBSIDIARIES. ALL RIGHTS RESERVED.



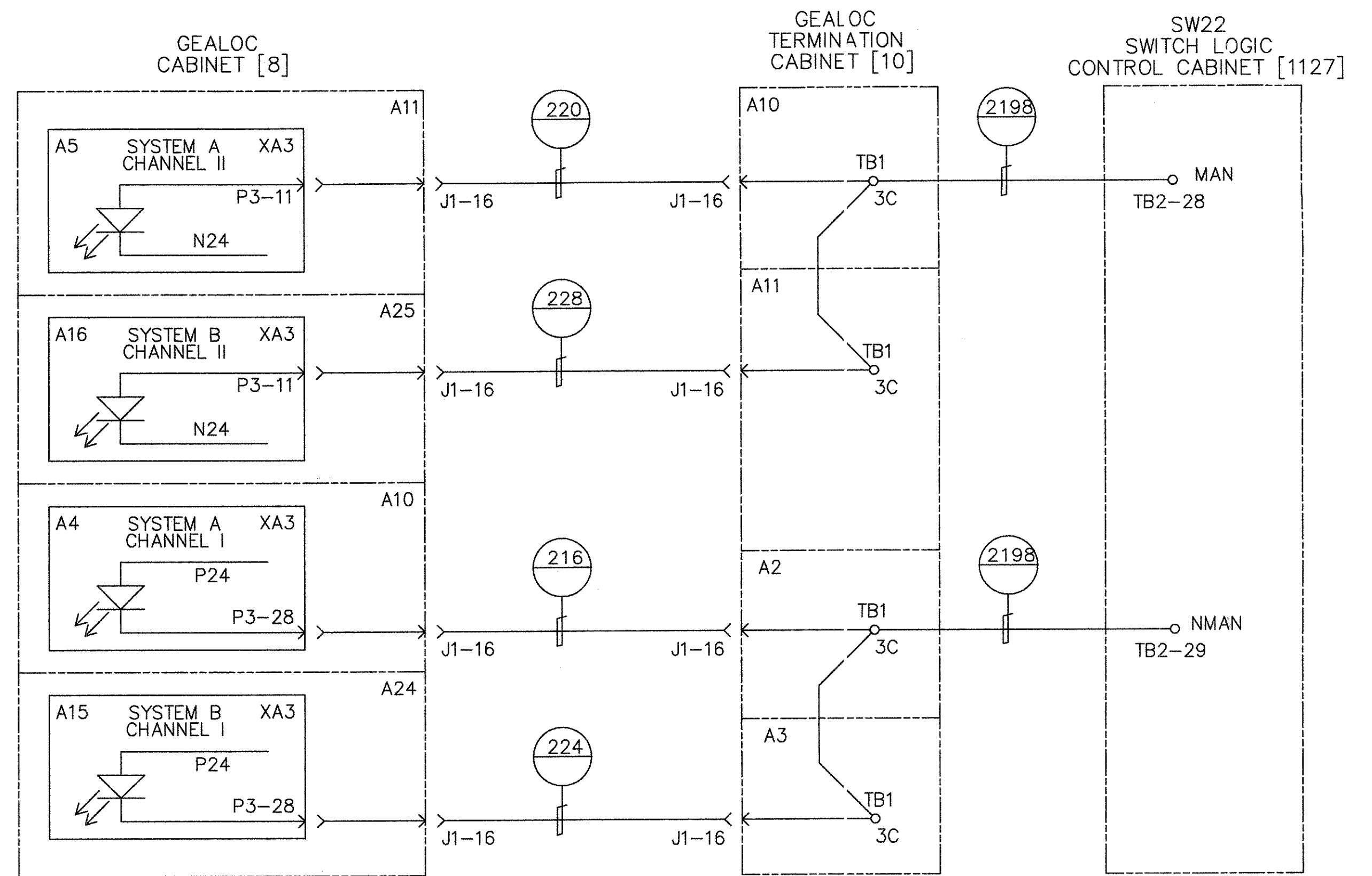
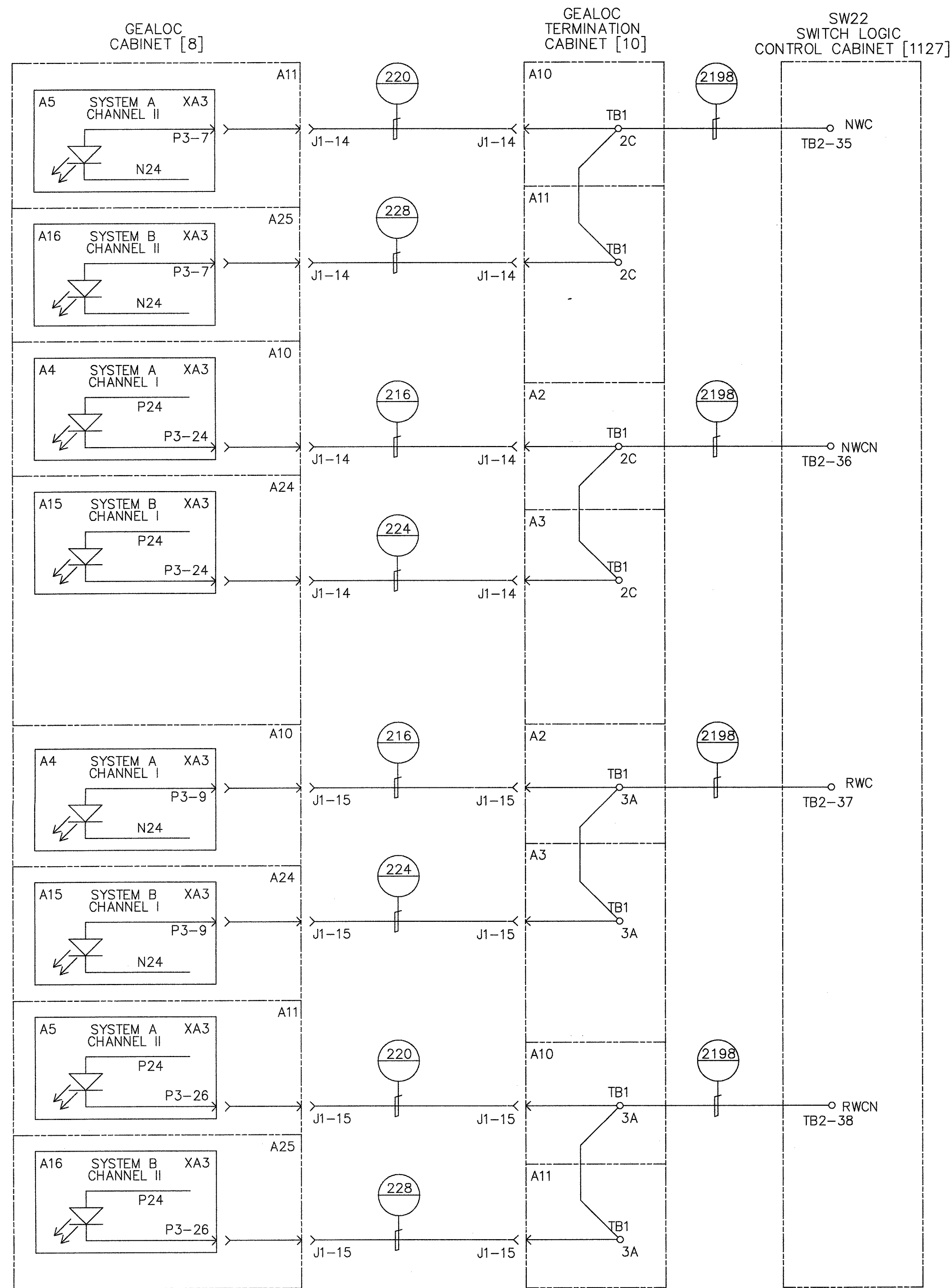
SWITCH NO. 21 GEALOC INPUTS

PROPRIETARY INFORMATION - SEE SHEET 1



<b>GEOMETRIC CHARACTERISTIC SYMBOLS</b> FLATNESS STRAIGHTNESS ROUNDNESS (CIRCULARITY) CYLINDRICITY PROFILE OF ANY LINE PROFILE OF ANY SURFACE PARALLELISM PERPENDICULARITY (SQUARENESS) ANGULARITY RUNOUT TRUE POSITION CONCENTRICITY SYMMETRY MAXIMUM MATERIAL CONDITION (MMC) REGARDLESS OF FEATURE SIZE	DFTM. J.LYNS/KEY CHKR.	DATE 10-1-97	<b>BOMBARDIER</b>  TITLE WAYSIDE SYSTEM SCHEMATIC  GEORGE BUSH INTERCONTINENTAL AIRPORT-HOUSTON	
	ENGRG. K. RYAN MFG.	APPD. DFTG. SU-IV. E.D. WATTY		DIMENSIONS IN INCHES SIZE D
SCALE NONE		WT.	SHEET 84	





SWITCH NO. 22 GEALOC INPUTS

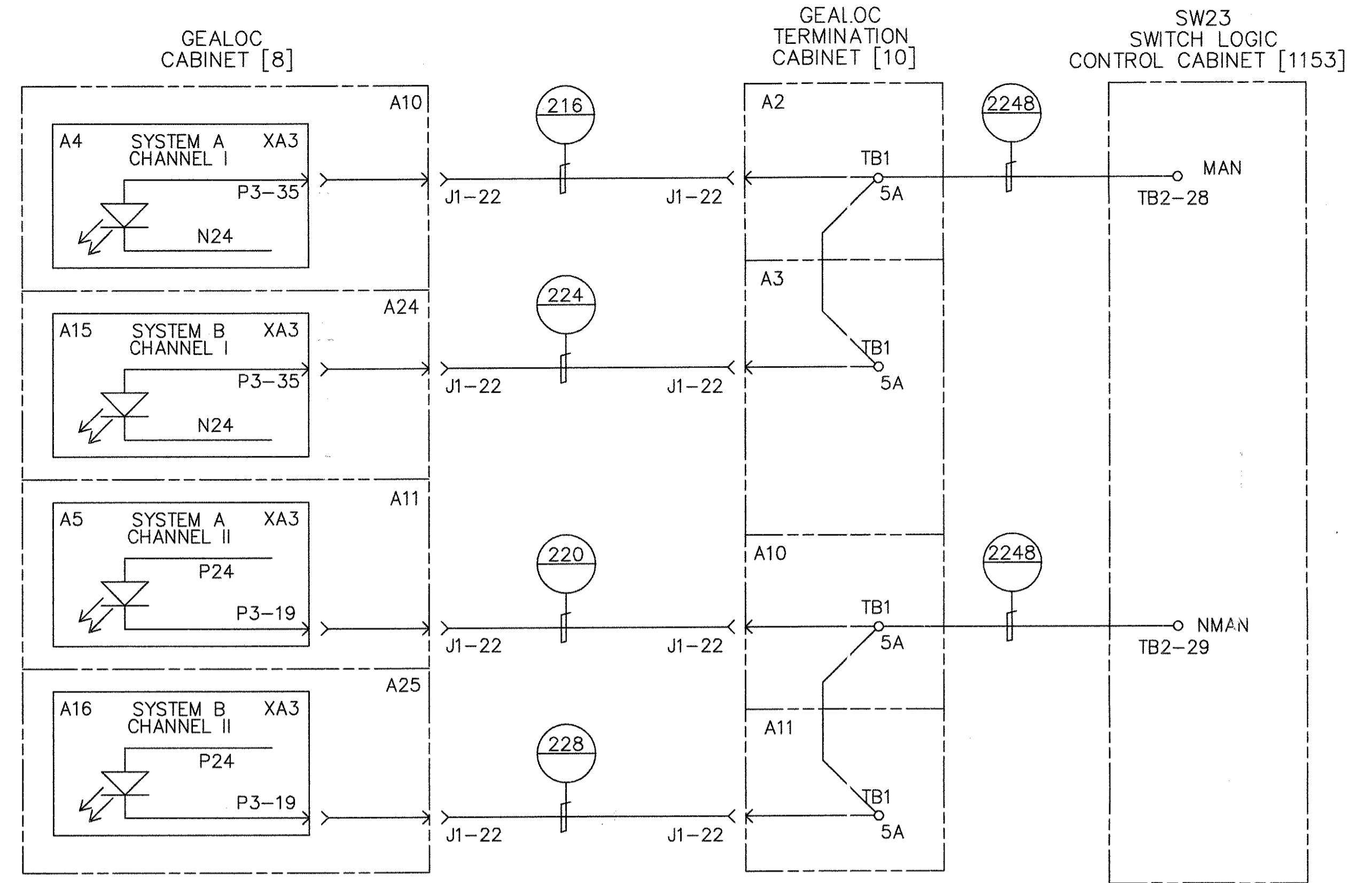
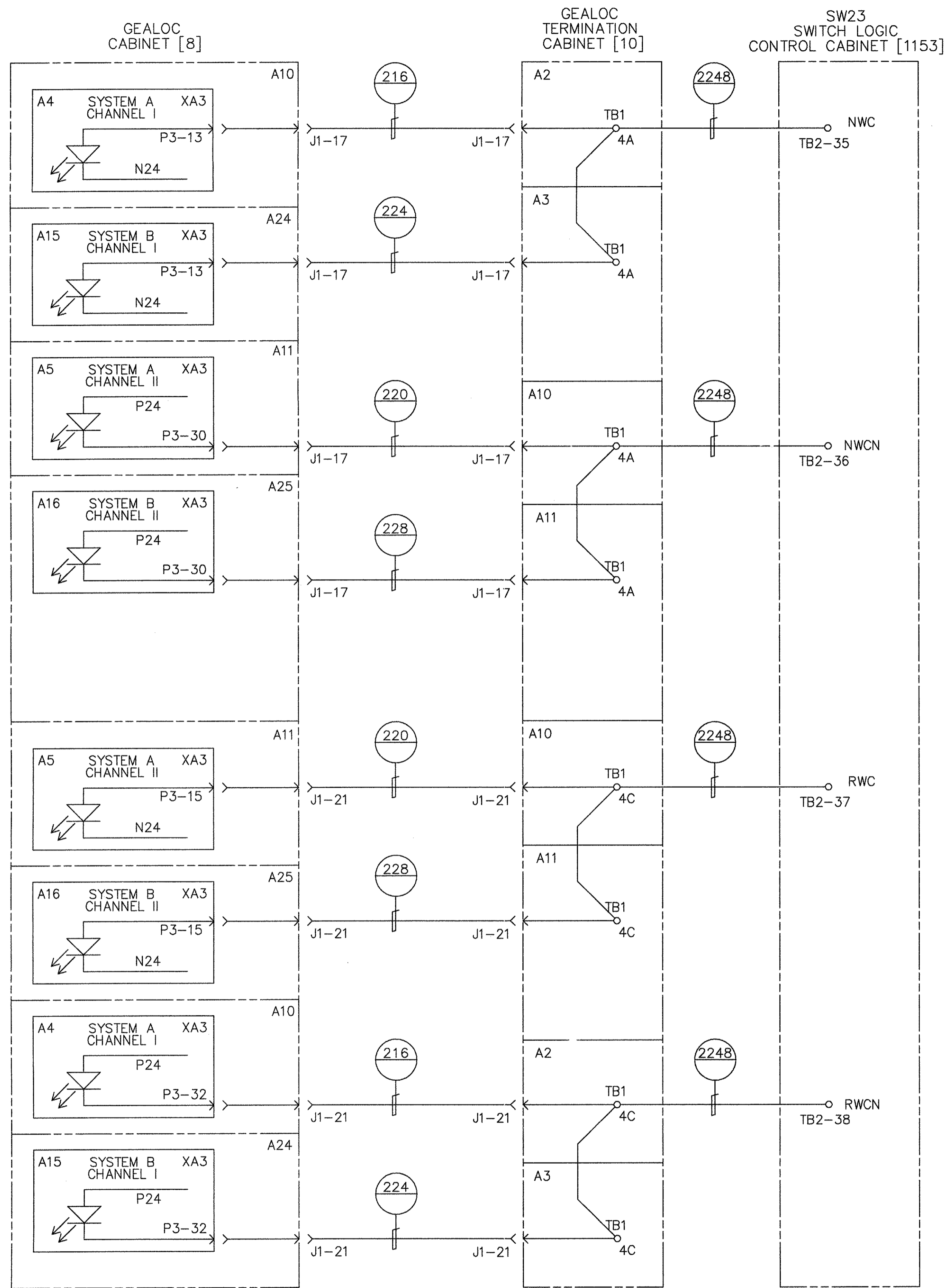
PROPRIETARY INFORMATION - SEE SHEET 1

AutoCAD

GEOMETRIC CHARACTERISTIC SYMBOLS	
FLATNESS	▭
STRAIGHTNESS	—
ROUNDNESS (CIRCULARITY)	○
CYLINDRICITY	⊘
PROFILE OF ANY LINE	⌒
PROFILE OF ANY SURFACE	⌒
PARALLELISM	∥
PERPENDICULARITY (SQUARENESS)	⊥
ANGULARITY	∠
RUNOUT	↗
TRUE POSITION	⊕
CONCENTRICITY	⊙
SYMMETRY	≡
MAXIMUM MATERIAL CONDITION (MMC)	Ⓜ
REGARDLESS OF FEATURE SIZE	Ⓛ

DFTM. J.LYNSKEY	DATE 10-1-97
ENGRG. K. RYAN	
MFG.	
APPD.	
DFTG. SU'V. E.D. WATTY	

<b>BOMBARDIER</b>	
TITLE WAYSIDE SYSTEM SCHEMATIC	
GEORGE BUSH INTERCONTINENTAL AIRPORT-HOUSTON	
DIMENSIONS IN INCHES	
SIZE D	DWG. NO. 5D81332
SCALE NONE	WT. SHEET 85
REV. 9	



SWITCH NO. 23 GEALOC INPUTS

GEOMETRIC CHARACTERISTIC SYMBOLS	
FLATNESS	▭
STRAIGHTNESS	—
ROUNDNESS (CIRCULARITY)	○
CYLINDRICITY	∕
PROFILE OF ANY LINE	⌒
PROFILE OF ANY SURFACE	⌒
PARALLELISM	∕
PERPENDICULARITY (SQUARENESS)	⊥
ANGULARITY	∠
RUNOUT	⊕
TRUE POSITION	⊕
CONCENTRICITY	⊕
SYMMETRY	⊕
MAXIMUM MATERIAL CONDITION (MMC)	Ⓜ
REGARDLESS OF FEATURE SIZE	Ⓜ

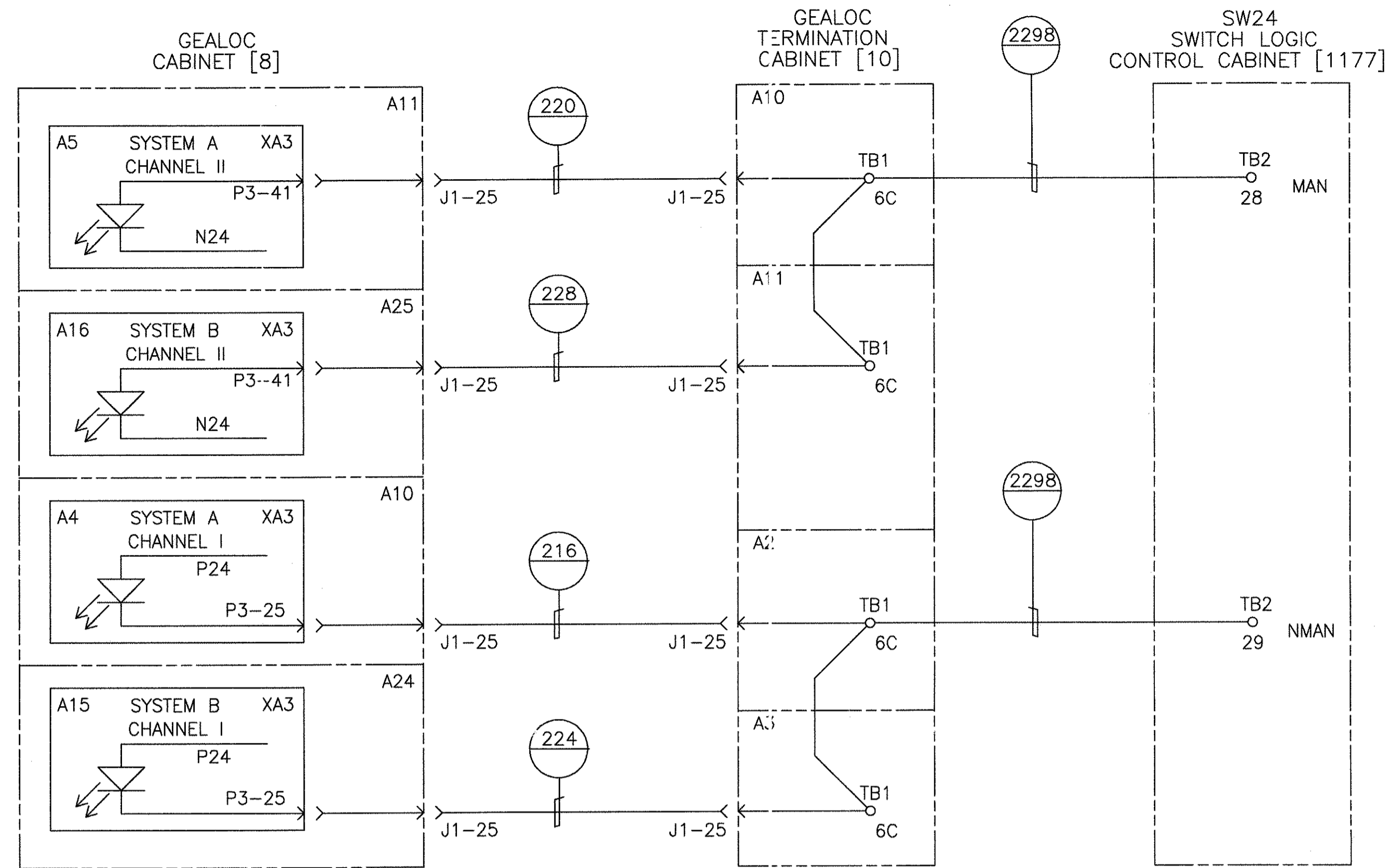
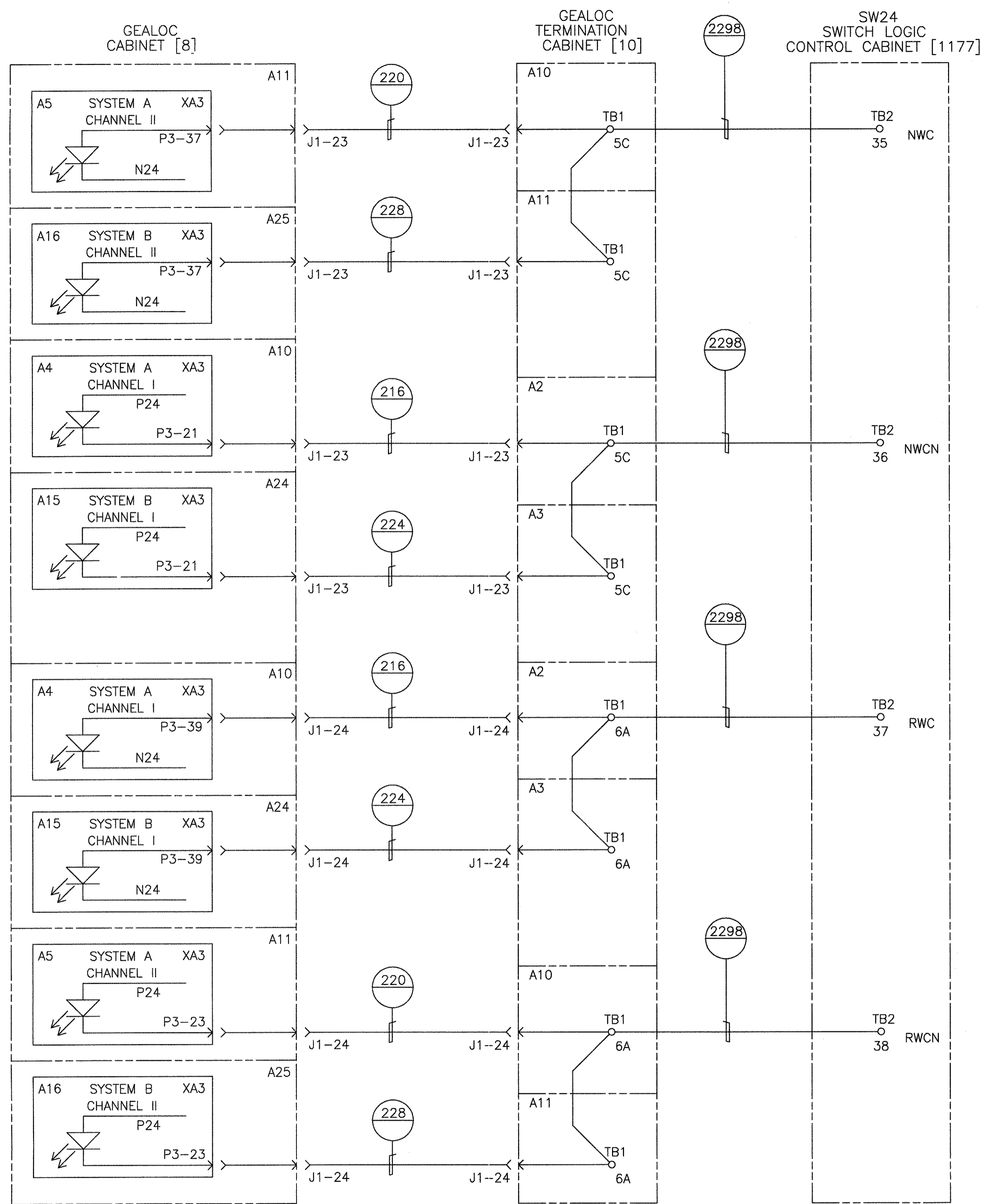
DFTM.	J.LYNSKEY	DATE	10-1-97
CHKR.			
ENGRG.	K. RYAN		
MFG.			
APPD.			
DFTG. SU'V.	E.D. WATTY		

<b>BOMBARDIER</b>			
TITLE WAYSIDE SYSTEM SCHEMATIC			
GEORGE BUSH INTERCONTINENTAL AIRPORT-HOUSTON			
DIMENSIONS IN INCHES			
SIZE	D	DWG. NO.	5D81332
SCALE	NONE	WT.	
SHEET	86	REV.	9

PROPRIETARY INFORMATION - SEE SHEET 1

AutoCAD





SWITCH NO. 24 GEALOC INPUTS

PROPRIETARY INFORMATION - SEE SHEET 1

AutoCAD

<b>GEOMETRIC CHARACTERISTIC SYMBOLS</b> FLATNESS STRAIGHTNESS ROUNDNESS (CIRCULARITY) CYLINDRICITY PROFILE OF ANY LINE PROFILE OF ANY SURFACE PARALLELISM PERPENDICULARITY (SQUARENESS) ANGULARITY RUNOUT TRUE POSITION CONCENTRICITY SYMMETRY MAXIMUM MATERIAL CONDITION (MMC) REGARDLESS OF FEATURE SIZE		DFTM. J. LYNES KEY CHKR. ENGRG. K. RYAN MFG. APPD. DFTG. SU-V. E.D. WATTY	DATE 10-1-97 TITLE WAYSIDE SYSTEM SCHEMATIC GEORGE BUSH INTERCONTINENTAL AIRPORT-HOUSTON DIMENSIONS IN INCHES SIZE D SCALE NONE	DWG. NO. 5D81332 REV. 9 SHEET 87
---	--	---	--	--

THIS SHEET INTENTIONALLY LEFT BLANK

PROPRIETARY INFORMATION - SEE SHEET 1

AutoCAD

GEOMETRIC CHARACTERISTIC SYMBOLS	
FLATNESS	
STRAIGHTNESS	
ROUNDNESS (CIRCULARITY)	
CYLINDRICITY	
PROFILE OF ANY LINE	
PROFILE OF ANY SURFACE	
PARALLELISM	
PERPENDICULARITY (SQUARENESS)	
ANGULARITY	
RUNOUT	
TRUE POSITION	
CONCENTRICITY	
SYMMETRY	
MAXIMUM MATERIAL CONDITION (MMC)	
REGARDLESS OF FEATURE SIZE	

DFTM.	J.LYNSKEY	DATE	10-1-97
CHKR.			
ENGRG.	K. RYAN		
MFG.			
APPD.			
DFTG. SUIV.	E.D. MATTY		

<b>BOMBARDIER</b>			
TITLE			
WAYSIDE SYSTEM SCHEMATIC			
GEORGE BUSH INTERCONTINENTAL AIRPORT-HOUSTON			
DIMENSIONS IN INCHES			
SIZE	D	DWG. NO.	5D81332
SCALE	NONE	WT.	
SHEET	88	REV.	9

11 10 9 8 7 6 5 4 3 2 1

THIS SHEET INTENTIONALLY LEFT BLANK

PROPRIETARY INFORMATION - SEE SHEET 1

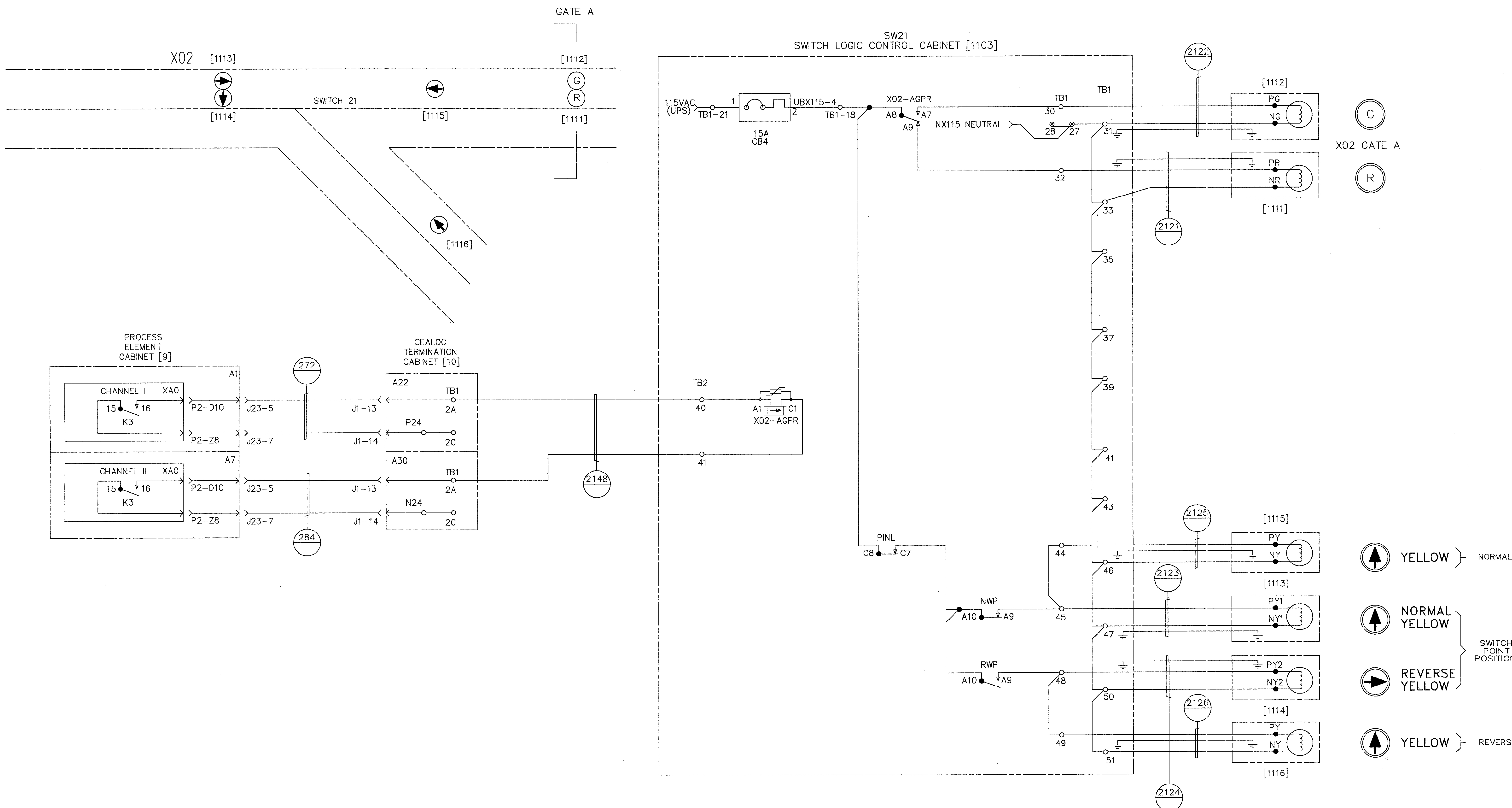
AutoCAD

GEOMETRIC CHARACTERISTIC SYMBOLS	
FLATNESS	▭
STRAIGHTNESS	—
ROUNDNESS (CIRCULARITY)	○
CYLINDRICITY	⊘
PROFILE OF ANY LINE	⌒
PROFILE OF ANY SURFACE	⌒
PARALLELISM	∥
PERPENDICULARITY (SQUARENESS)	⊥
ANGULARITY	∠
RUNOUT	⊕
TRUE POSITION	⊕
CONCENTRICITY	⊕
SYMMETRY	⊕
MAXIMUM MATERIAL CONDITION (MMC)	Ⓜ
REGARDLESS OF FEATURE SIZE	Ⓜ

DFTM.	J.LYNSKEY	DATE	10-1-97
CHKR.			
ENGRG.	K. RYAN		
MFG.			
APPD.	E.D. MATTY		

<b>BOMBARDIER</b>			
TITLE WAYSIDE SYSTEM SCHEMATIC			
GEORGE BUSH INTERCONTINENTAL AIRPORT-HOUSTON			
DIMENSIONS IN INCHES			
SIZE	D	DWG. NO.	5D81332
SCALE	NONE	WT.	
SHEET	89	REV.	9

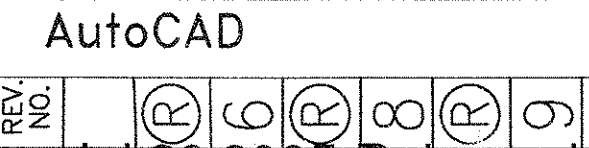
SW21  
SWITCH LOGIC CONTROL CABINET [1103]

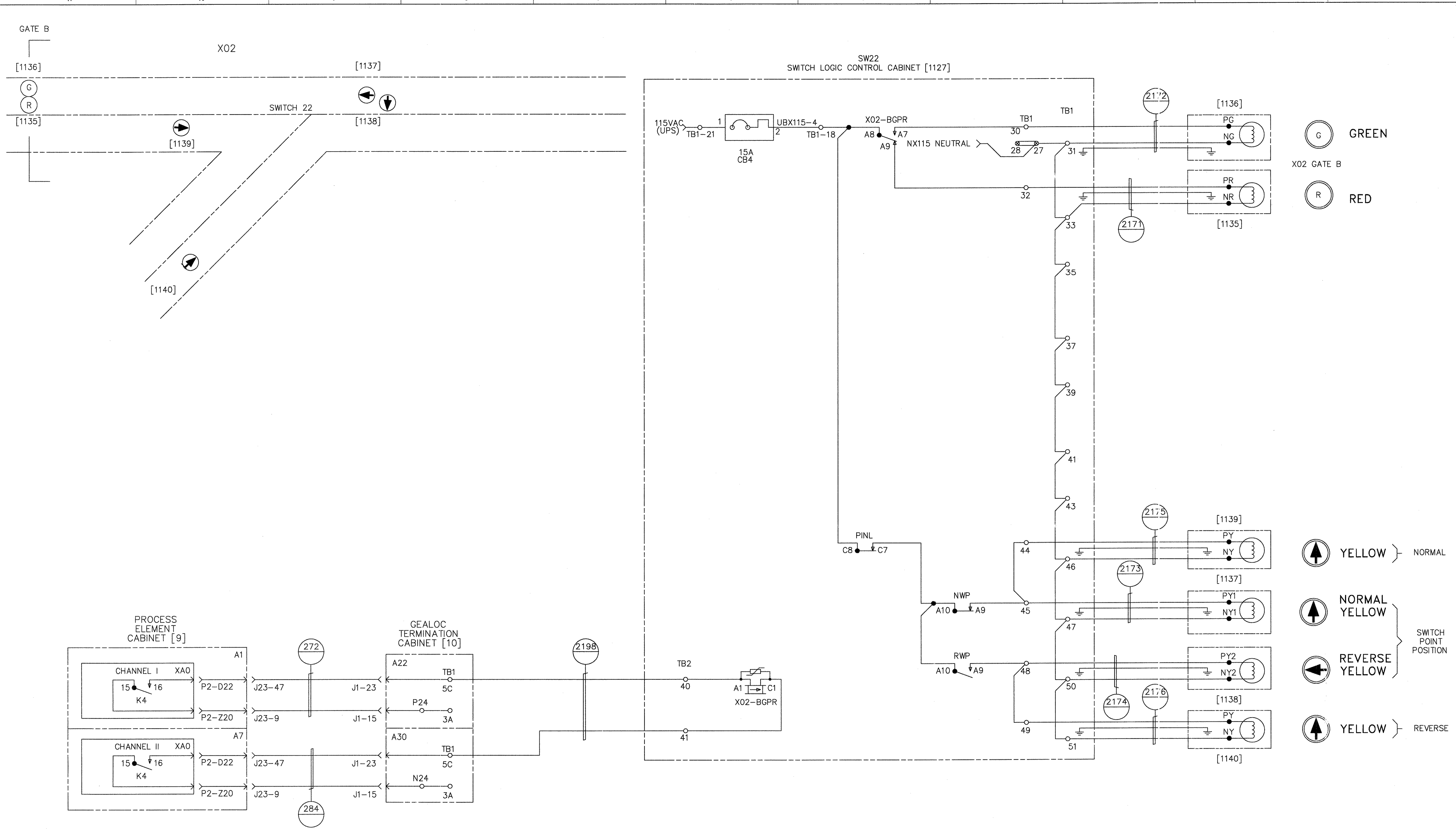


TRAFFIC SIGNAL SWITCH NO. 21  
AND GATE A

GEOMETRIC CHARACTERISTIC SYMBOLS		DFTM.	DATE	BOMBARDIER	
FLATNESS	—	J.LYNSKEY	10-1-97	TITLE	
STRAIGHTNESS	—	CHKR.		WAYSIDE SYSTEM SCHEMATIC	
ROUNDNESS (CIRCULARITY)	—	ENGRG.		GEORGE BUSH INTERCONTINENTAL AIRPORT-HOUSTON	
CYLINDRICITY	—	MFG.		DIMENSIONS IN INCHES	
PROFILE OF ANY LINE	—	APPD.		SCALE NONE	WT.
PROFILE OF ANY SURFACE	—	DFTG. SU-IV.		DWG. NO.	REV.
PARALLELISM	—	E.D. WATTY		5D81332	9
PERPENDICULARITY (SQUARENESS)	—			SHEET	90
ANGULARITY	—				
RUNDOUT	—				
TRUE POSITION	—				
CONCENTRICITY	—				
SYMMETRY	—				
MAXIMUM MATERIAL CONDITION (MMC)	—				
REGARDLESS OF FEATURE SIZE	—				

PROPRIETARY INFORMATION - SEE SHEET 1





TRAFFIC SIGNAL SWITCH NO. 22  
AND GATE B

PROPRIETARY INFORMATION - SEE SHEET 1

AutoCAD

GEOMETRIC CHARACTERISTIC SYMBOLS		DFTM.	DATE	BOMBARDIER	
FLATNESS	▭	J. LYNSEY	10-1-97	TITLE	
STRAIGHTNESS	▬	CHKR.		WAYSIDE SYSTEM SCHEMATIC	
ROUNDNESS (CIRCULARITY)	○	ENGRG.		GEORGE BUSH INTERCONTINENTAL AIRPORT-HOUSTON	
CYLINDRICITY	⊘	K. RYAN		DIMENSIONS IN INCHES	
PROFILE OF ANY LINE	⌒	MFG.		SIZE	DWG. NO.
PROFILE OF ANY SURFACE	⌒	APPD.		D	5D81332
PARALLELISM	∥	DFTG. SU/IV.		SCALE NONE	WT.
PERPENDICULARITY (SQUARENESS)	⊥	E.D. MATTY		SHEET	91
ANGULARITY	∠			REV.	9
RUNOUT	⊕				
TRUE POSITION	⊕				
CONCENTRICITY	⊕				
SYMMETRY	⊕				
MAXIMUM MATERIAL CONDITION (MMC)	Ⓜ				
REGARDLESS OF FEATURE SIZE	Ⓜ				

F

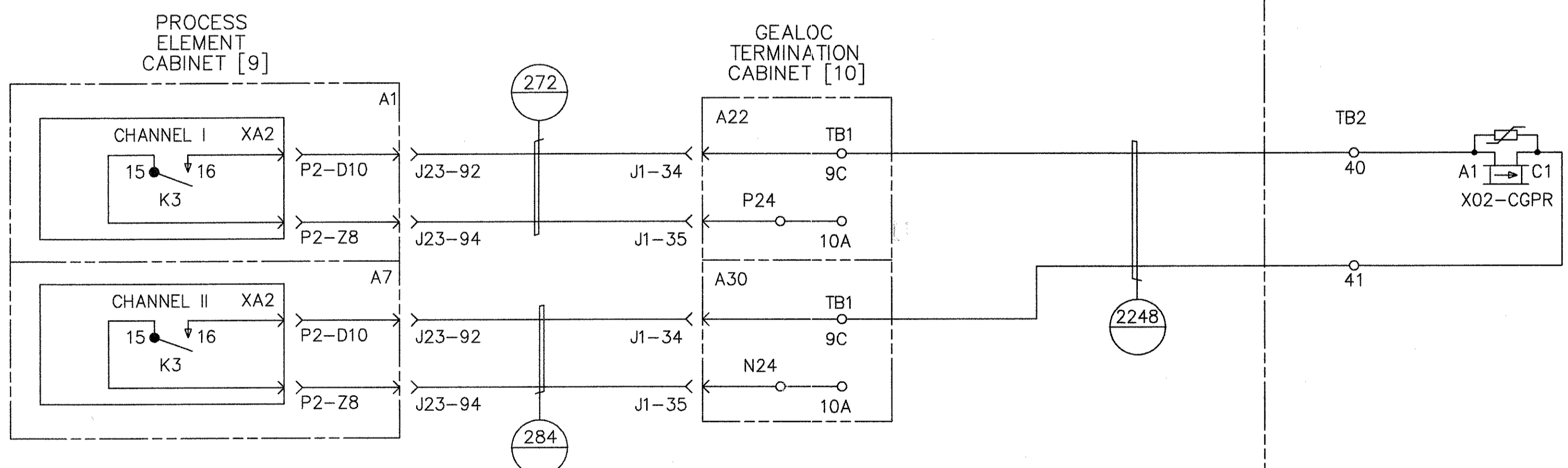
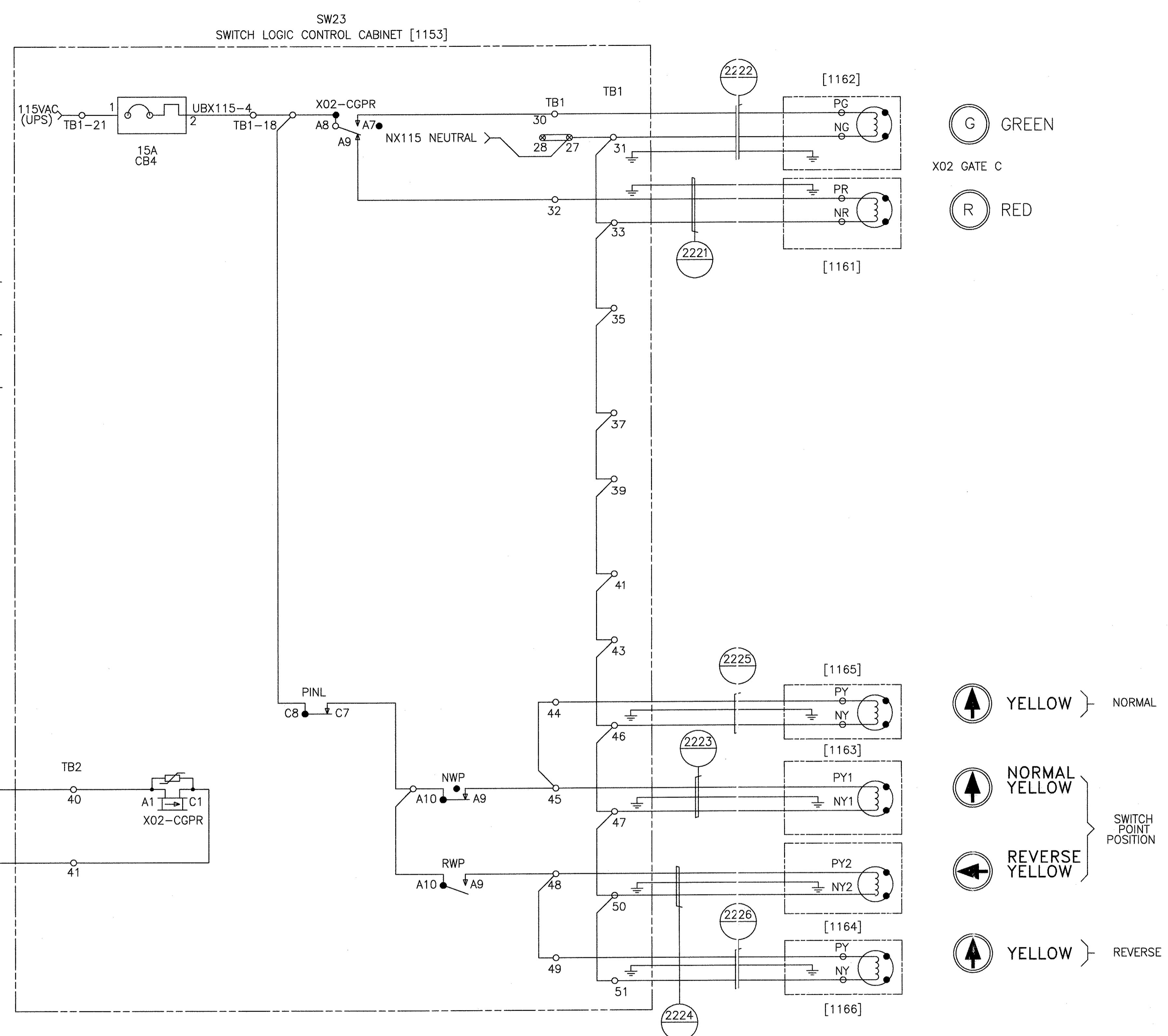
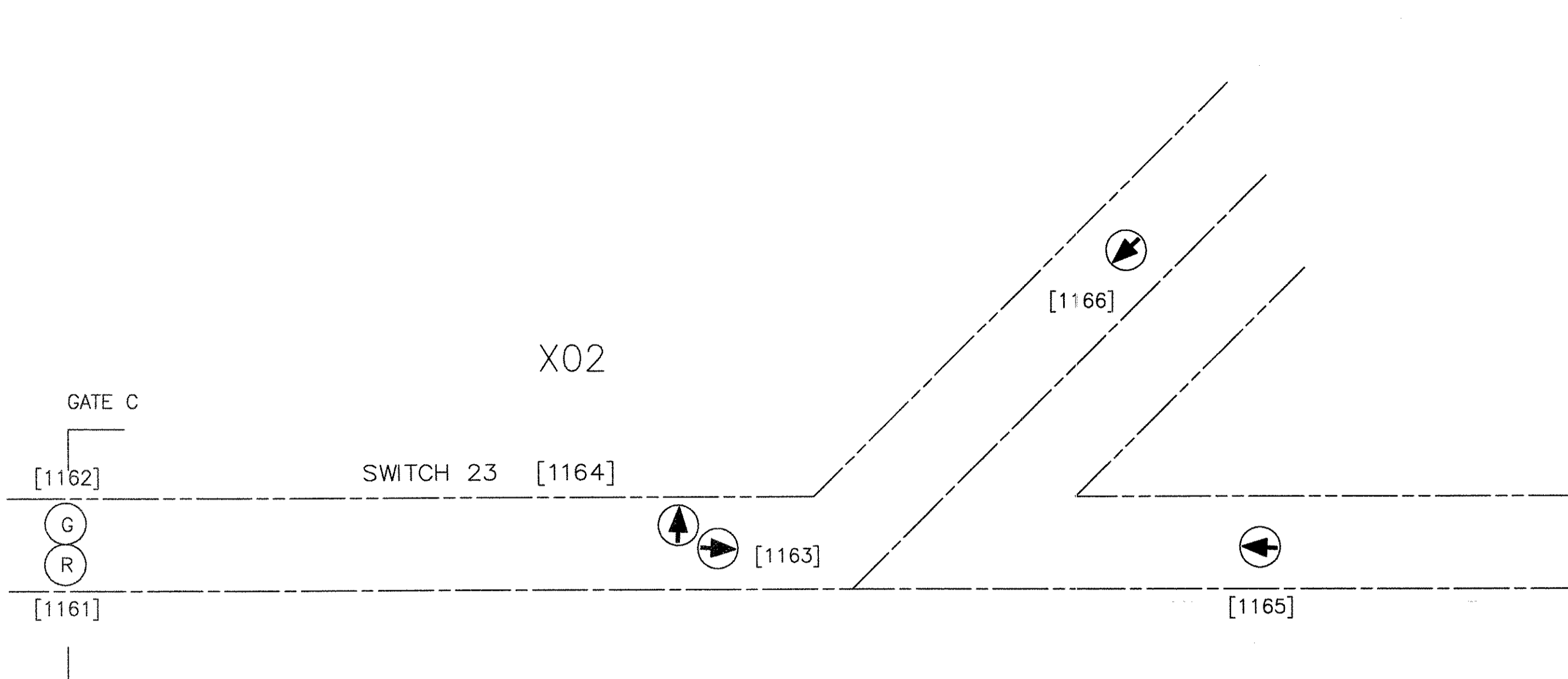
E

D

C

B

A



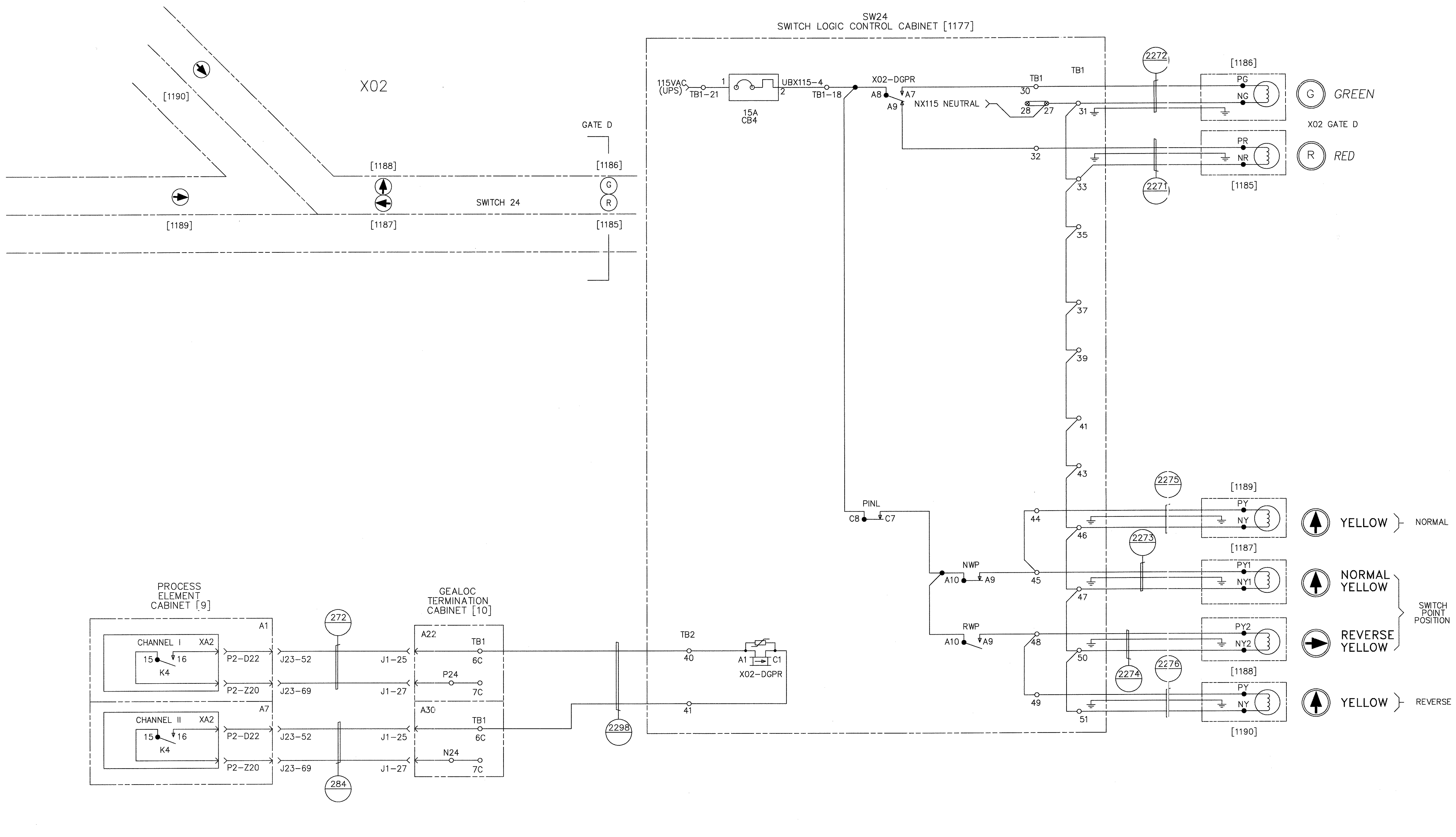
TRAFFIC SIGNAL SWITCH NO. 23  
AND GATE C

GEOMETRIC CHARACTERISTIC SYMBOLS		DFTM.	DATE	BOMBARDIER	
FLATNESS		J.LYNSKEY	10-1-97	WAYSIDE SYSTEM SCHEMATIC	
STRAIGHTNESS		CHKR.		GEORGE BUSH INTERCONTINENTAL AIRPORT-HOUSTON	
ROUNDNESS (CIRCULARITY)		ENGRG.		DIMENSIONS IN INCHES	
CYLINDRICITY		K. RYAN		SIZE	DWG. NO.
PROFILE OF ANY LINE		MFG.		D	5D81332
PROFILE OF ANY SURFACE		APPD.		SCALE NONE	WT.
PARALLELISM		DFTG. SU/W.		SHEET	92
PERPENDICULARITY (SQUARENESS)		E.D. MATTY		REV.	9
ANGULARITY					
RUNOUT					
TRUE POSITION					
CONCENTRICITY					
SYMMETRY					
MAXIMUM MATERIAL CONDITION (MMC)					
REGARDLESS OF FEATURE SIZE					

PROPRIETARY INFORMATION - SEE SHEET 1

AutoCAD





TRAFFIC SIGNAL SWITCH NO. 24  
AND GATE D

PROPRIETARY INFORMATION - SEE SHEET 1

AutoCAD

GEOMETRIC CHARACTERISTIC SYMBOLS		DFTM.	DATE	BOMBARDIER	
FLATNESS	—	J.LYNSKEY	10-1-97	TITLE	
STRAIGHTNESS	—	CHKR.		WAYSIDE SYSTEM SCHEMATIC	
ROUNDNESS (CIRCULARITY)	○	ENGRG.		GEORGE BUSH INTERCONTINENTAL AIRPORT-HOUSTON	
CYLINDRICITY	○	MFG.		DIMENSIONS IN INCHES	
PROFILE OF ANY LINE	—	APPD.		SIZE	DWG. NO.
PROFILE OF ANY SURFACE	—	DFTG. SUIV.		D	5D81332
PARALLELISM	—	E.D. MATTY		SCALE NONE	REV. 9
PERPENDICULARITY (SQUARENESS)	—			WT.	SHEET 93
ANGULARITY	—				
RUNOUT	—				
TRUE POSITION	—				
CONCENTRICITY	—				
SYMMETRY	—				
MAXIMUM MATERIAL CONDITION (MMC)	—				
REGARDLESS OF FEATURE SIZE	—				

# THIS SHEET INTENTIONALLY LEFT BLANK

TRAFFIC SIGNALS SWITCH 41 AND GATE A  
SEE DRAWING 6D61054 SHEET 95

PROPRIETARY INFORMATION - SEE SHEET 1

AutoCAD

GEOMETRIC CHARACTERISTIC SYMBOLS	
FLATNESS	▭
STRAIGHTNESS	—
ROUNDNESS (CIRCULARITY)	○
CYLINDRICITY	⊘
PROFILE OF ANY LINE	⌒
PROFILE OF ANY SURFACE	⌒
PARALLELISM	∥
PERPENDICULARITY (SQUARENESS)	⊥
ANGULARITY	∠
RUNOUT	⊖
TRUE POSITION	⊕
CONCENTRICITY	⊙
SYMMETRY	⊞
MAXIMUM MATERIAL CONDITION (MMC)	Ⓜ
REGARDLESS OF FEATURE SIZE	Ⓛ

DFTM.	J.LYNSKEY	DATE	10-1-97
CHKR.			
ENGRG.	K. RYAN		
MFG.			
APPD.			
DFTG. SUIV.	E.D. MATTY		

<b>BOMBARDIER</b>			
TITLE WAYSIDE SYSTEM SCHEMATIC			
GEORGE BUSH INTERCONTINENTAL AIRPORT-HOUSTON			
DIMENSIONS IN INCHES			
SIZE	D	DWG. NO.	5D81332
		REV.	9
SCALE	NONE	WT.	
		SHEET	94

© 2005 BOMBARDIER INC. OR ITS SUBSIDIARIES. ALL RIGHTS RESERVED.

# THIS SHEET INTENTIONALLY LEFT BLANK

TRAFFIC SIGNALS SWITCH 42 AND GATE B  
SEE DRAWING 6D61054 SHEET 94

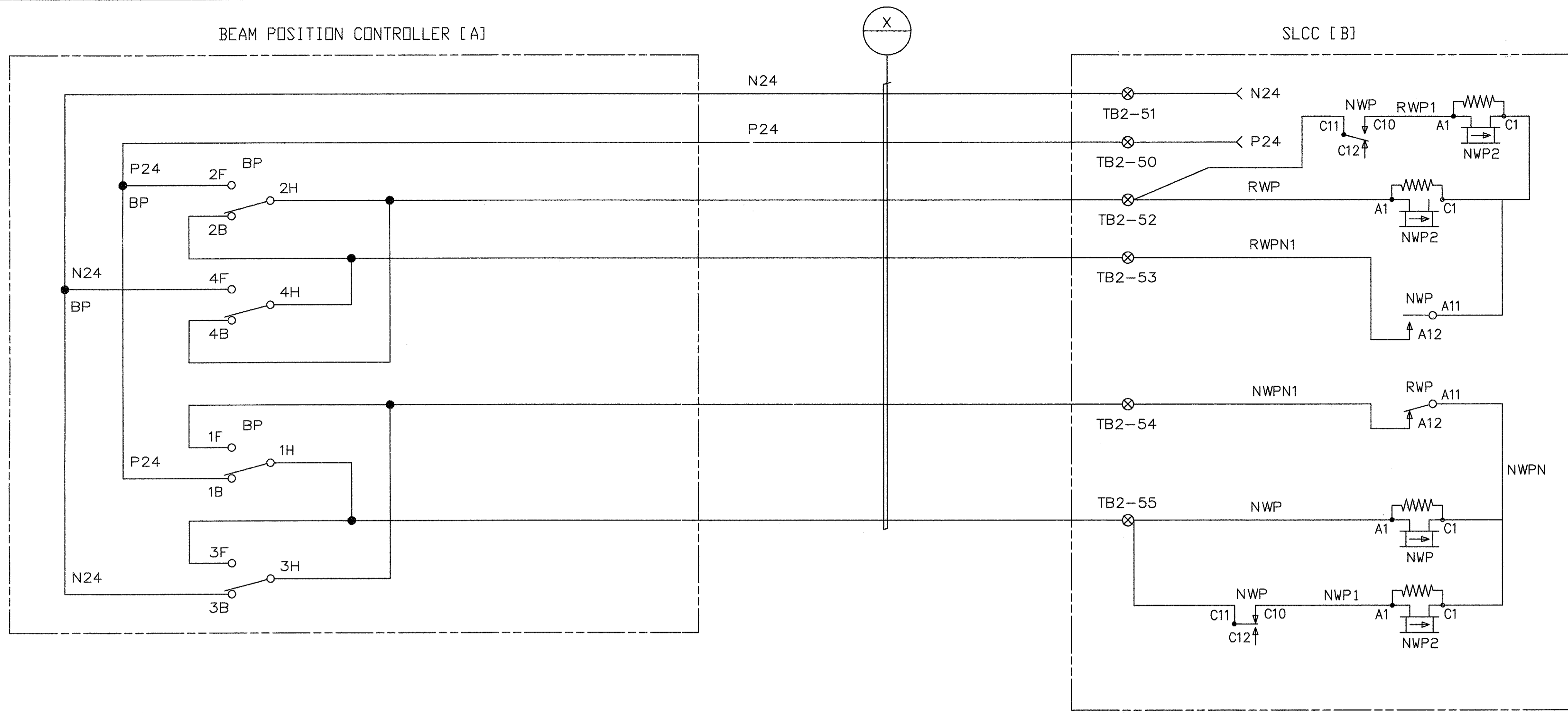
PROPRIETARY INFORMATION - SEE SHEET 1

AutoCAD

GEOMETRIC CHARACTERISTIC SYMBOLS	
FLATNESS	▭
STRAIGHTNESS	—
ROUNDNESS (CIRCULARITY)	○
CYLINDRICITY	⊘
PROFILE OF ANY LINE	⌒
PROFILE OF ANY SURFACE	⌒
PARALLELISM	∥
PERPENDICULARITY (SQUARENESS)	⊥
ANGULARITY	∠
RUNOUT	↺
TRUE POSITION	⊕
CONCENTRICITY	⊙
SYMMETRY	≡
MAXIMUM MATERIAL CONDITION (MMC)	Ⓜ
REGARDLESS OF FEATURE SIZE	Ⓜ

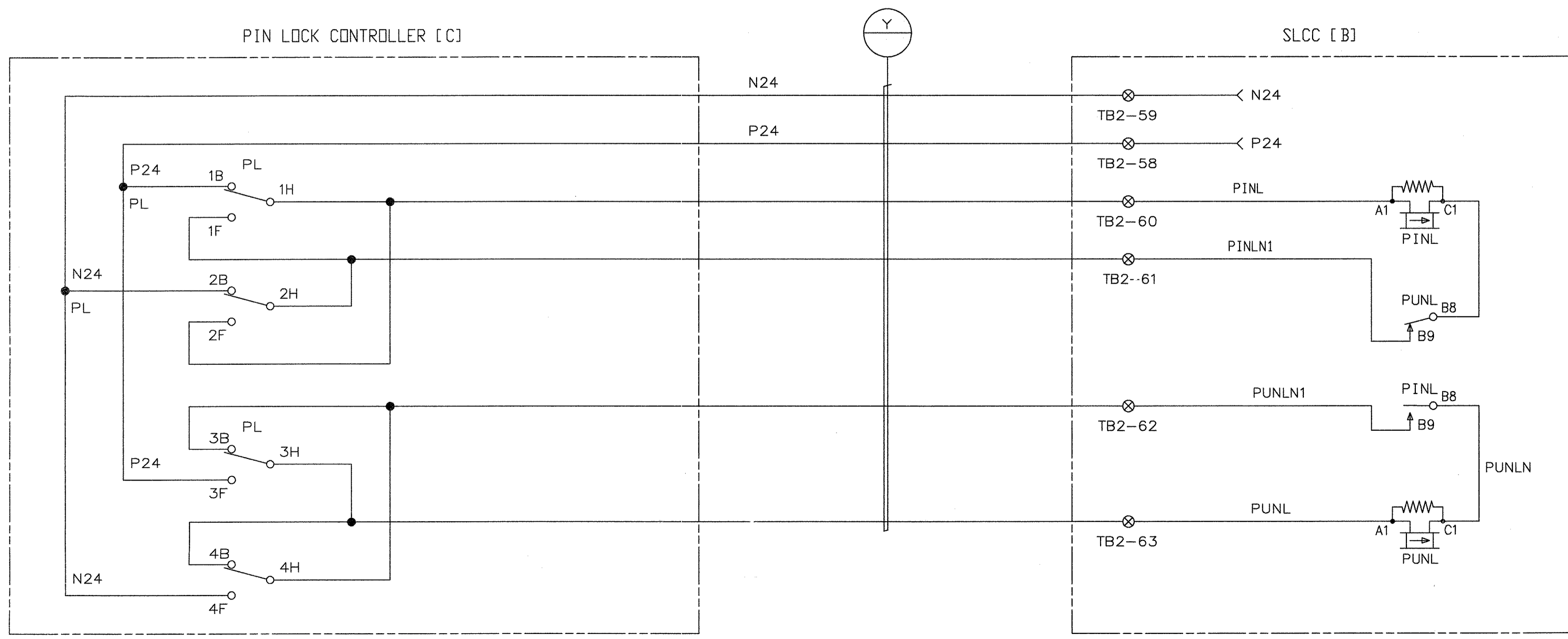
DFTM.	J.LYNSKEY	DATE	10-1-97
CHKR.			
ENGRG.	K. RYAN		
MFG.			
APPD.	E.D. MATTY		

<b>BOMBARDIER</b>			
TITLE WAYSIDE SYSTEM SCHEMATIC			
GEORGE BUSH INTERCONTINENTAL AIRPORT-HOUSTON			
DIMENSIONS IN INCHES			
SIZE	D	DWG. NO.	5D81332
SCALE	NONE	WT.	
SHEET	95	REV.	9



SLCC TO SWITCH BEAM POSITION CONTROLLER

SWITCH #	BEAM POS. CTRL. [A]	PIN LOCK CTRL. [C]	SLCC [B]	CABLE-X	CABLE-Y
21	1108	1109	1103	2106	2107
22	1132	1133	1127	2156	2157
23	1158	1159	1153	2206	2207
24	1182	1183	1177	2256	2257

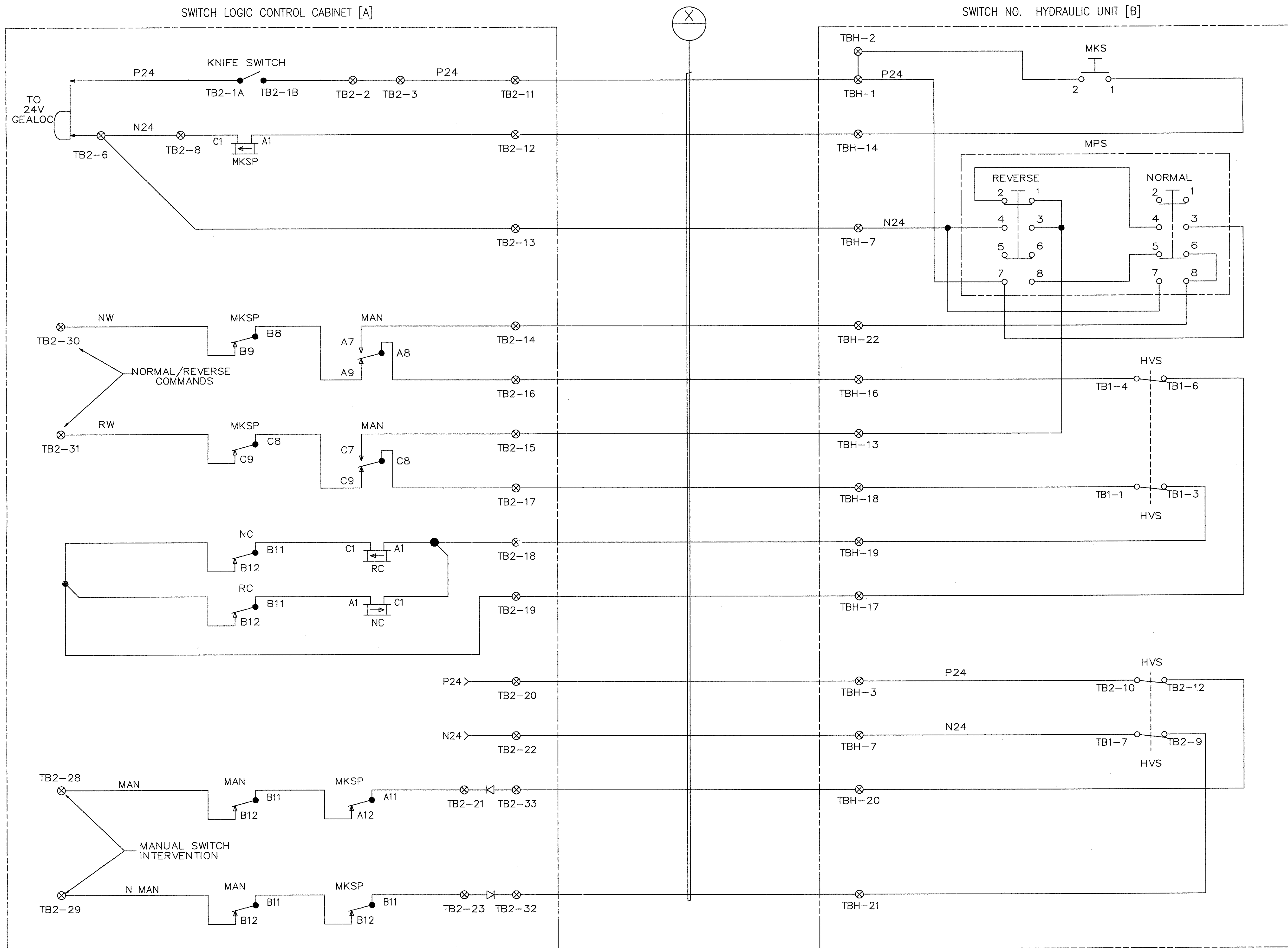


SLCC TO SWITCH PIN LOCK CONTROLLER  
TYPICAL FOR SWITCHES 21-24

<b>GEOMETRIC CHARACTERISTIC SYMBOLS</b> FLATNESS STRAIGHTNESS ROUNDNESS (CIRCULARITY) CYLINDRICITY PROFILE OF ANY LINE PROFILE OF ANY SURFACE PARALLELISM PERPENDICULARITY (SQUARENESS) ANGULARITY RUNOUT TRUE POSITION CONCENTRICITY SYMMETRY MAXIMUM MATERIAL CONDITION (MMC) REGARDLESS OF FEATURE SIZE	DFTM. J. LYNISKEY ENGRG. K. RYAN APPD. E.D. MATTY	DATE 10-1-97 CHKR. MFG. SCALE NONE	<b>BOMBARDIER</b> TITLE WAYSIDE SYSTEM SCHEMATIC GEORGE BUSH INTERCONTINENTAL AIRPORT-HOUSTON DIMENSIONS IN INCHES DWG. NO. 5D81332 SHEET 96
	SIZE D DFTG. SUIV. E.D. MATTY	REV. 9	WT.

PROPRIETARY INFORMATION - SEE SHEET 1

AutoCAD



SWITCH #	SLCC [A]	CABLE-X	HYD. UNIT [B]
21	1103	2108	1102
22	1127	2158	1126
23	1153	2208	1152
24	1177	2258	1176

SLCC TO SWITCH HYDRAULIC UNIT  
TYPICAL FOR SWITCHES 21-24

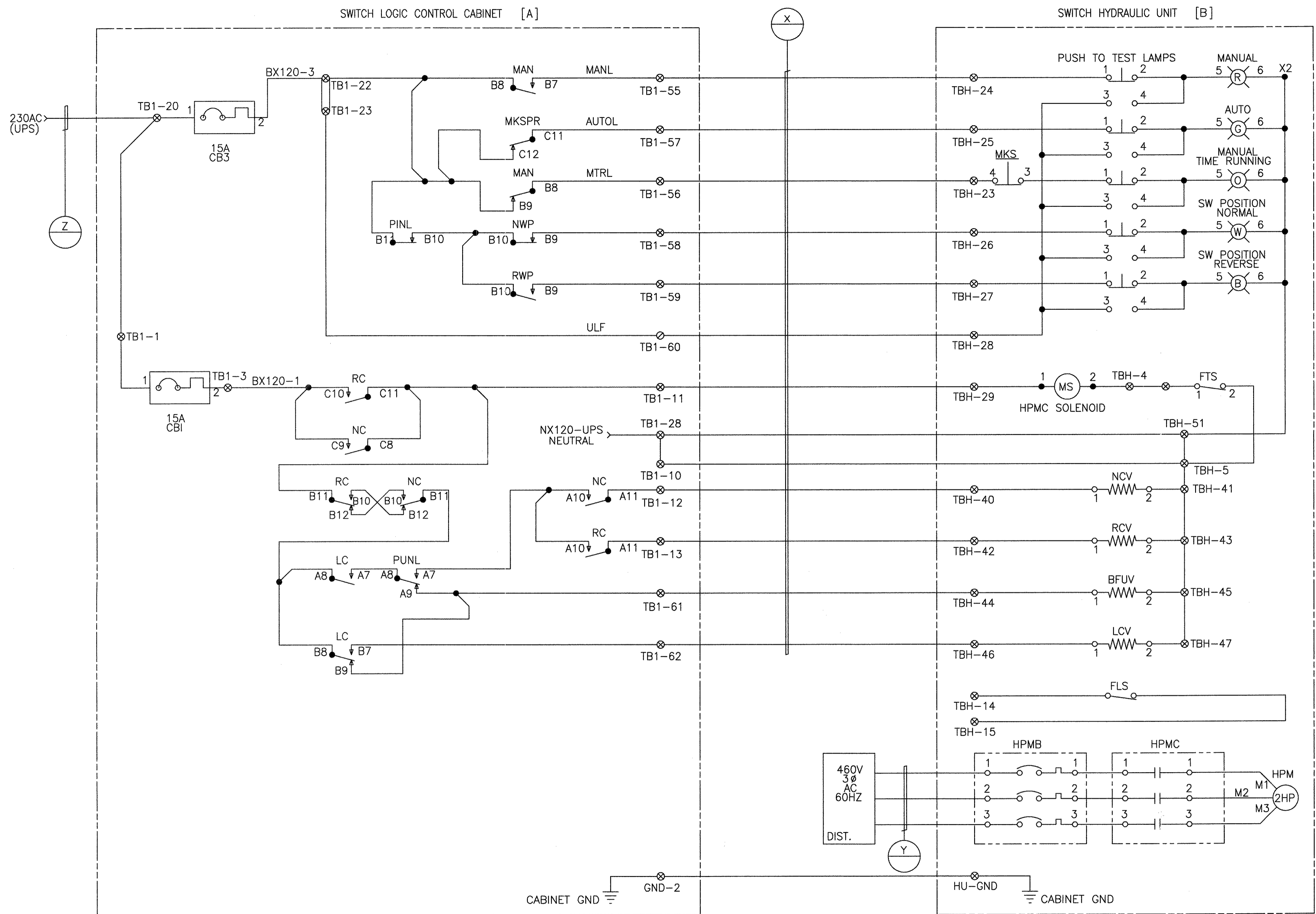
PROPRIETARY INFORMATION - SEE SHEET 1

AutoCAD

GEOMETRIC CHARACTERISTIC SYMBOLS	
FLATNESS	▭
STRAIGHTNESS	▬
ROUNDNESS (CIRCULARITY)	○
CYLINDRICITY	⊘
PROFILE OF ANY LINE	⌒
PROFILE OF ANY SURFACE	⌒
PARALLELISM	∥
PERPENDICULARITY (SQUARENESS)	⊥
ANGULARITY	∠
RUNOUT	⊕
TRUE POSITION	⊕
CONCENTRICITY	⊕
SYMMETRY	⊕
MAXIMUM MATERIAL CONDITION (MMC)	Ⓜ
REGARDLESS OF FEATURE SIZE	Ⓜ

DFTM.	J.LYNSKEY	DATE	10-1-97
CHKR.			
ENGRG.	K. RYAN		
MFG.			
APPD.			
DFTG. SU-IV.	E.D. WATTY		

<b>BOMBARDIER</b>	
TITLE WAYSIDE SYSTEM SCHEMATIC	
GEORGE BUSH INTERCONTINENTAL AIRPORT-HOUSTON	
DIMENSIONS IN INCHES	
SIZE D	DWG. NO. 5D81332
SCALE NONE	WT. SHEET 97
REV. 9	



SWITCH #	SLCC A	CABLE-X	CABLE-Y	HYD. UNIT B	CABLE-Z
21	1103	2109	2102	1102	2101
22	1127	2159	2152	1126	2151
23	1153	2209	2202	1152	2201
24	1177	2259	2252	1176	2251

SLCC TO SWITCH HYDRAULIC UNIT POWER  
TYPICAL FOR SWITCHES 21-24

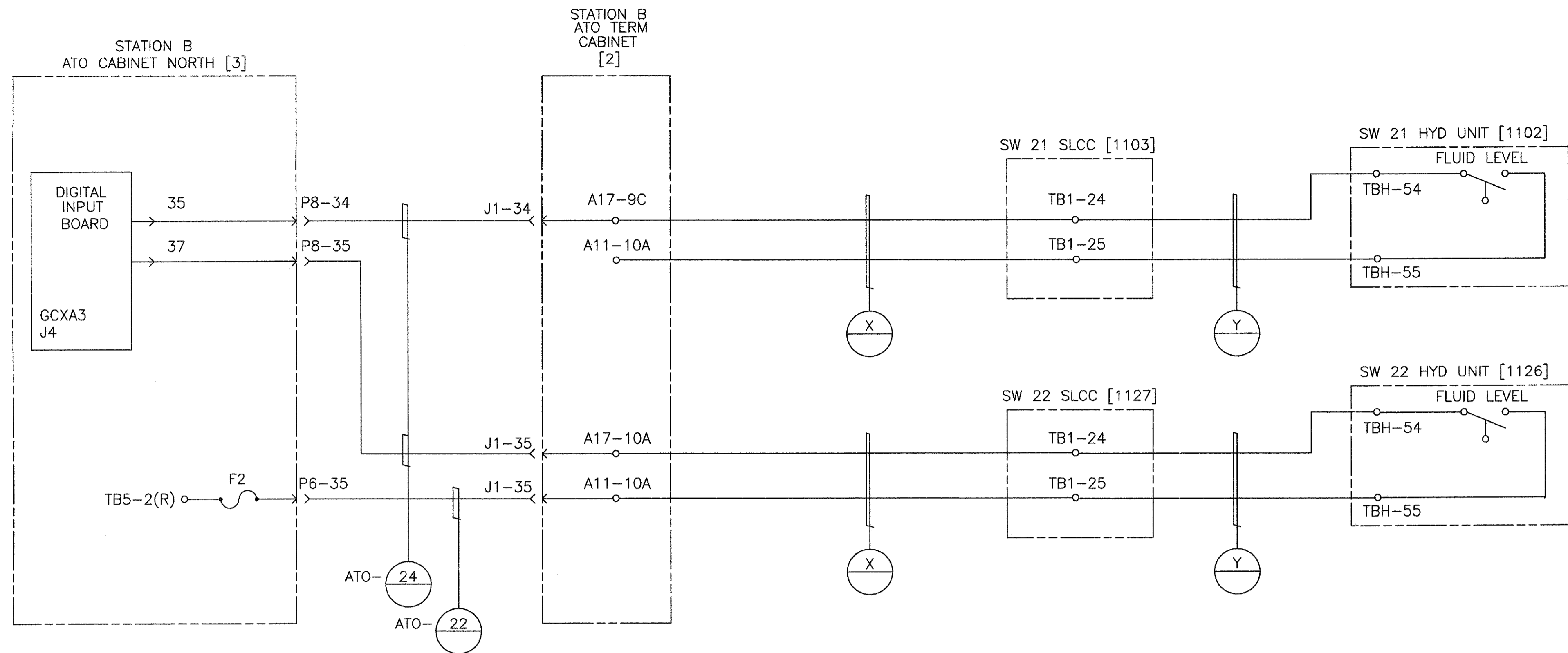
PROPRIETARY INFORMATION - SEE SHEET 1

AutoCAD

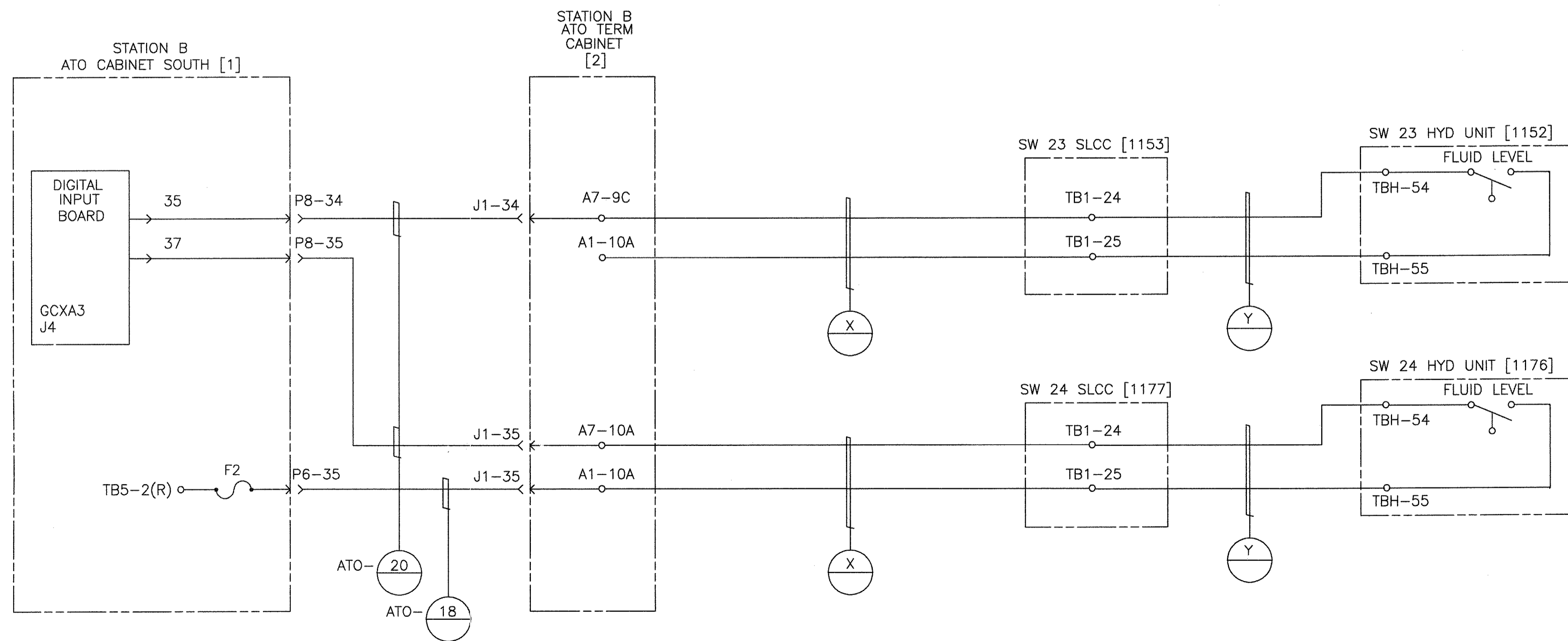
GEOMETRIC CHARACTERISTIC SYMBOLS	
FLATNESS	—
STRAIGHTNESS	—
ROUNDNESS (CIRCULARITY)	○
CYLINDRICITY	○
PROFILE OF ANY LINE	—
PROFILE OF ANY SURFACE	—
PARALLELISM	—
PERPENDICULARITY (SQUARENESS)	—
ANGULARITY	—
RUNOUT	—
TRUE POSITION	—
CONCENTRICITY	—
SYMMETRY	—
MAXIMUM MATERIAL CONDITION (MMC)	—
REGARDLESS OF FEATURE SIZE	—

DFTM.	J. LYNISKEY	DATE	10-1-97
CHKR.			
ENGRG.	K. RYAN		
MFG.			
APPD.			
DFTG. SUIV.	E.D. MATTY		

<b>BOMBARDIER</b>	
TITLE WAYSIDE SYSTEM SCHEMATIC	
GEORGE BUSH INTERCONTINENTAL AIRPORT-HOUSTON	
DIMENSIONS IN INCHES	
SIZE	D
DWG. NO.	5D81332
REV.	9
SCALE	NONE
WT.	
SHEET	98



SWITCH #	SLCC #	CABLE--X	CABLE--Y
21	1103	2147	2108
22	1127	2197	2158
23	1153	2247	2208
24	1177	2297	2258



SWITCH FLUID LEVEL INDICATIONS  
SW21, 22, 23 AND 24

GEOMETRIC CHARACTERISTIC SYMBOLS	
FLATNESS	▭
STRAIGHTNESS	—
ROUNDNESS (CIRCULARITY)	○
CYLINDRICITY	⊘
PROFILE OF ANY LINE	⌒
PROFILE OF ANY SURFACE	⌒
PARALLELISM	∥
PERPENDICULARITY (SQUARENESS)	⊥
ANGULARITY	∠
RUNOUT	⊕
TRUE POSITION	⊕
CONCENTRICITY	⊕
SYMMETRY	⊕
MAXIMUM MATERIAL CONDITION (MMC)	Ⓜ
REGARDLESS OF FEATURE SIZE	Ⓜ

DFTM. J.LYNSKEY	DATE 10-1-97
CHKR.	
ENGRG. K. RYAN	
MFG.	
APPD.	
DFTG. SUIV. E.D. MATTY	

<b>BOMBARDIER</b>	
TITLE WAYSIDE SYSTEM SCHEMATIC	
GEORGE BUSH INTERCONTINENTAL AIRPORT-HOUSTON	
DIMENSIONS IN INCHES	
SIZE D	DWG. NO. 5D81332
SCALE NONE	WT.
SHEET 99	REV. 9

PROPRIETARY INFORMATION - SEE SHEET 1



THIS SHEET INTENTIONALLY LEFT BLANK

PROPRIETARY INFORMATION - SEE SHEET 1

AutoCAD

GEOMETRIC CHARACTERISTIC SYMBOLS	
FLATNESS	▭
STRAIGHTNESS	—
ROUNDNESS (CIRCULARITY)	○
CYLINDRICITY	⊘
PROFILE OF ANY LINE	⌒
PROFILE OF ANY SURFACE	⌒
PARALLELISM	∥
PERPENDICULARITY (SQUARENESS)	⊥
ANGULARITY	∠
RUNOUT	⊖
TRUE POSITION	⊕
CONCENTRICITY	⊙
SYMMETRY	⊞
MAXIMUM MATERIAL CONDITION (MMC)	Ⓜ
REGARDLESS OF FEATURE SIZE	Ⓛ

DFTM.	J.LYNSICEY	DATE	10-1-97
CHKR.			
ENGRG.	K. RYAN		
MFG.			
APPD.			
DFTG. SUIV.	E.D. MATTY		

<b>BOMBARDIER</b>			
TITLE WAYSIDE SYSTEM SCHEMATIC			
GEORGE BUSH INTERCONTINENTAL AIRPORT-HOUSTON			
DIMENSIONS IN INCHES			
SIZE	D	DWG. NO.	5D81332
SCALE	NONE	WT.	
SHEET	100	REV.	9

© 2005, BOMBARDIER INC. OR ITS SUBSIDIARIES. ALL RIGHTS RESERVED.



THIS SHEET INTENTIONALLY LEFT BLANK

PROPRIETARY INFORMATION - SEE SHEET 1

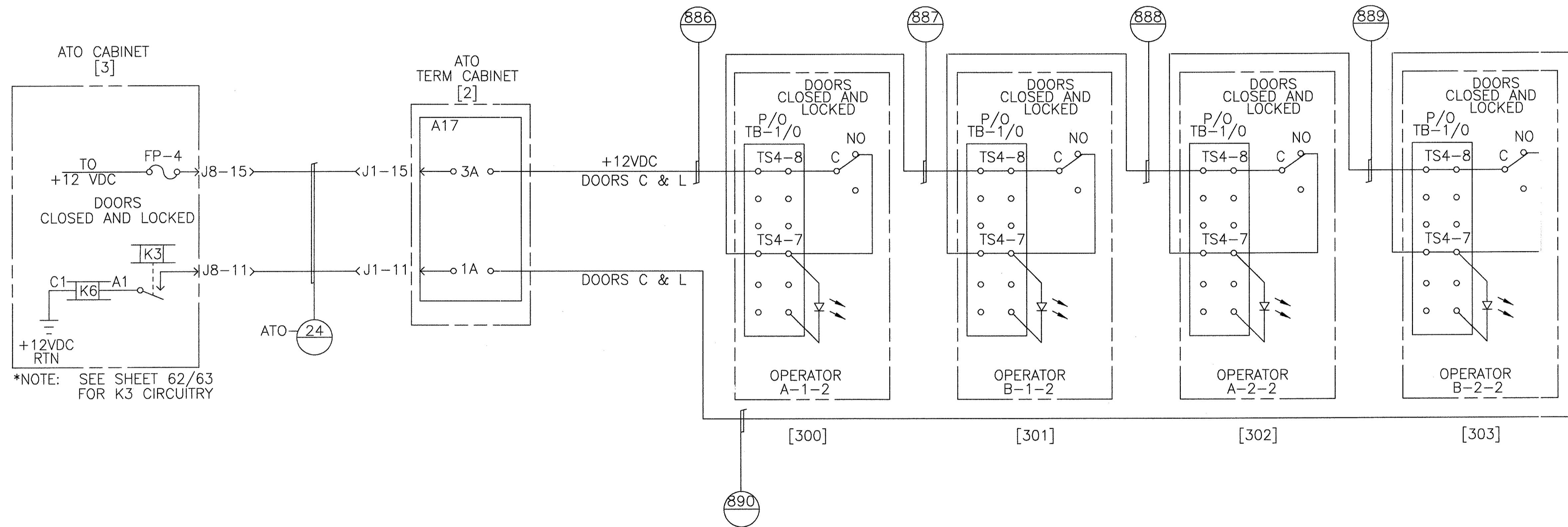
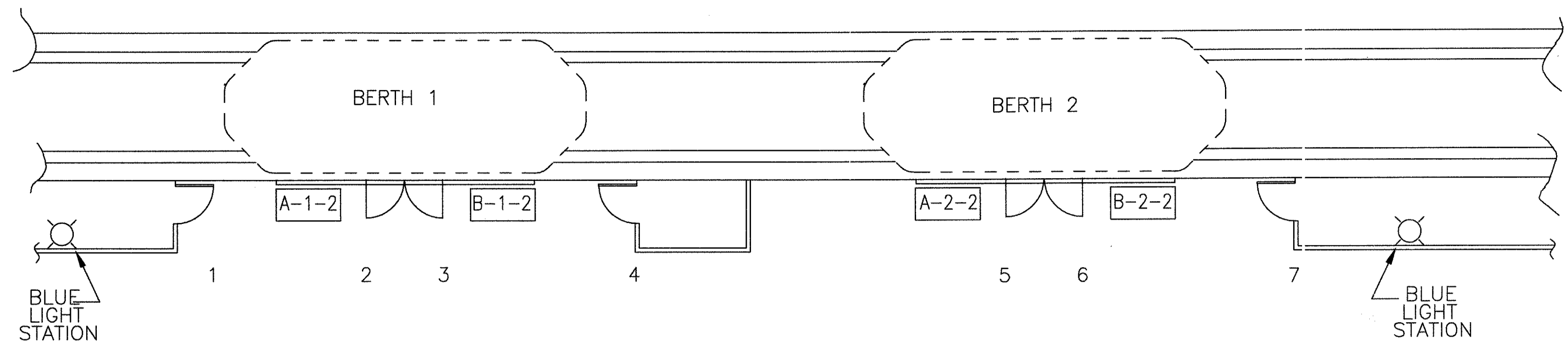
AutoCAD

GEOMETRIC CHARACTERISTIC SYMBOLS	
FLATNESS	
STRAIGHTNESS	
ROUNDNESS (CIRCULARITY)	
CYLINDRICITY	
PROFILE OF ANY LINE	
PROFILE OF ANY SURFACE	
PARALLELISM	
PERPENDICULARITY (SQUARENESS)	
ANGULARITY	
RUNOUT	
TRUE POSITION	
CONCENTRICITY	
SYMMETRY	
MAXIMUM MATERIAL CONDITION (MMC) REGARDLESS OF FEATURE SIZE	

DFTM. J. WERNER	DATE 8/21/97
CHKR.	
ENGRG. K. RYAN	
MFG.	
APPD.	
DFTG. SU'W. E.D. WATTY	

<b>BOMBARDIER</b>	
TITLE WAYSIDE SYSTEM SCHEMATIC	
GEORGE BUSH INTERCONTINENTAL AIRPORT-HOUSTON	
DIMENSIONS IN INCHES	
SIZE D	DWG. NO. 5D81332
SCALE NONE	WT.
SHEET 101	REV. 9

© 2005, BOMBARDIER INC. OR ITS SUBSIDIARIES. ALL RIGHTS RESERVED.



\*NOTE: SEE SHEET 62/63 FOR K3 CIRCUITRY

TERMINAL B NORTH STATION  
PASSENGER DOORS CLOSED & LOCKED INTERFACE

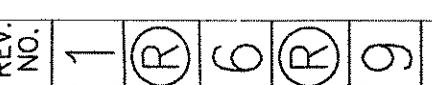
GEOMETRIC CHARACTERISTIC SYMBOLS	
FLATNESS	▭
STRAIGHTNESS	—
ROUNDNESS (CIRCULARITY)	○
CYLINDRICITY	∅
PROFILE OF ANY LINE	⌒
PROFILE OF ANY SURFACE	⌒
PARALLELISM	∥
PERPENDICULARITY (SQUARENESS)	⊥
ANGULARITY	∠
RUNOUT	⊥
TRUE POSITION	⊕
CONCENTRICITY	⊕
SYMMETRY	⊕
MAXIMUM MATERIAL CONDITION (MMC)	Ⓜ
REGARDLESS OF FEATURE SIZE	Ⓜ

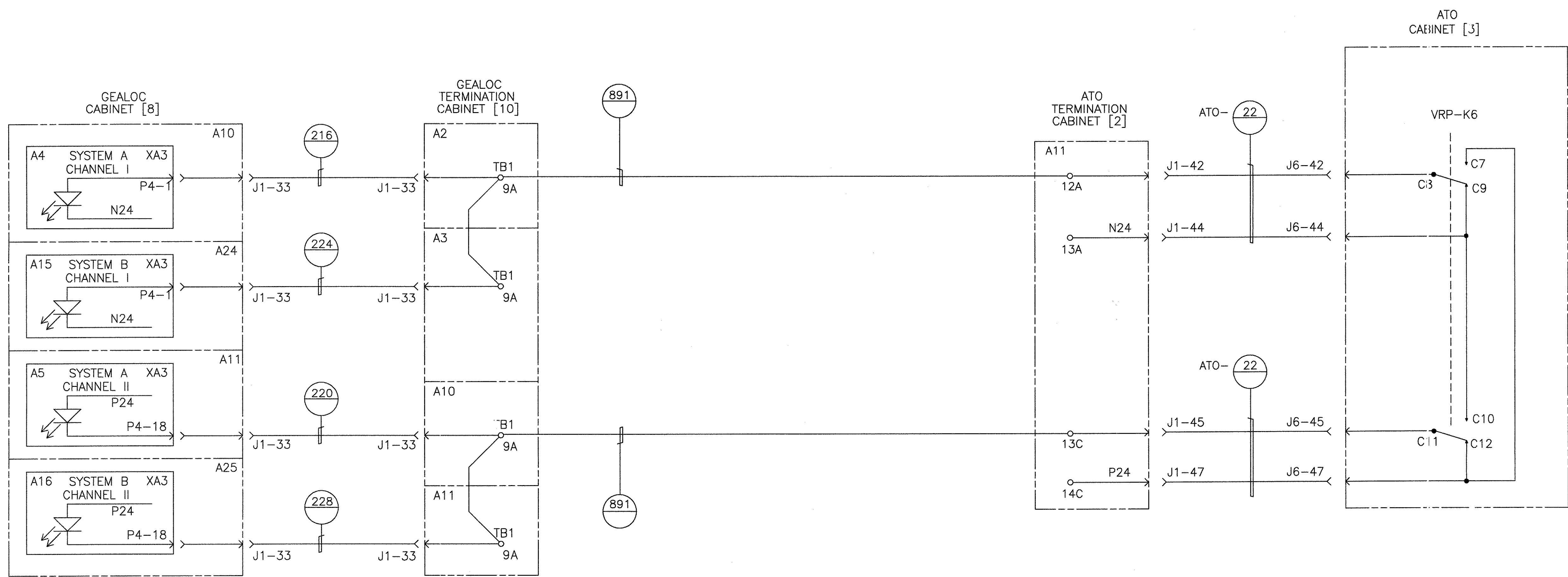
DFTM.	J. LYNSEY	DATE	11-18-97
CHKR.			
ENGRG.	K. RYAN		
MFG.			
APPD.			
DFTG. SUFV.	E.D. MATTY		

<b>BOMBARDIER</b>	
TITLE WAYSIDE SYSTEM SCHEMATIC	
GEORGE BUSH INTERCONTINENTAL AIRPORT-HOUSTON	
DIMENSIONS IN INCHES	
SIZE	D
DWG. NO.	5D81332
REV.	9
SCALE	NONE
WT.	
SHEET	102

PROPRIETARY INFORMATION - SEE SHEET 1

AutoCAD





PASSENGER DOORS CLOSED & LOCKED

TERMINAL B NORTH STATION  
ATO TO GEALOC INDICATIONS

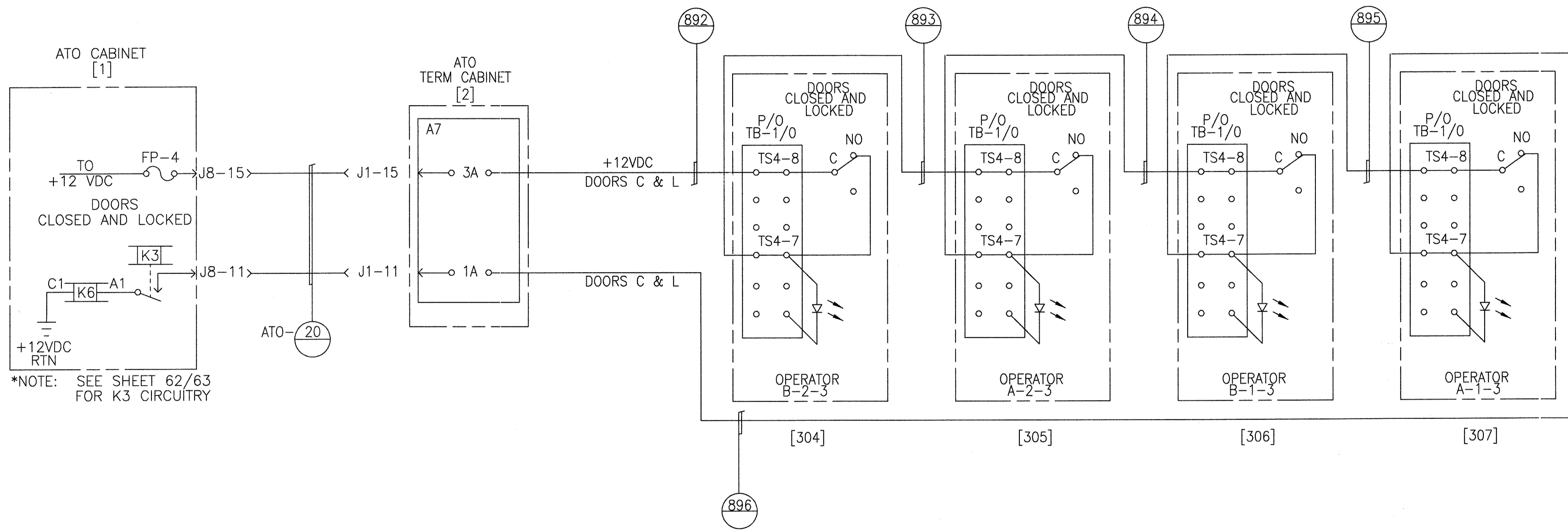
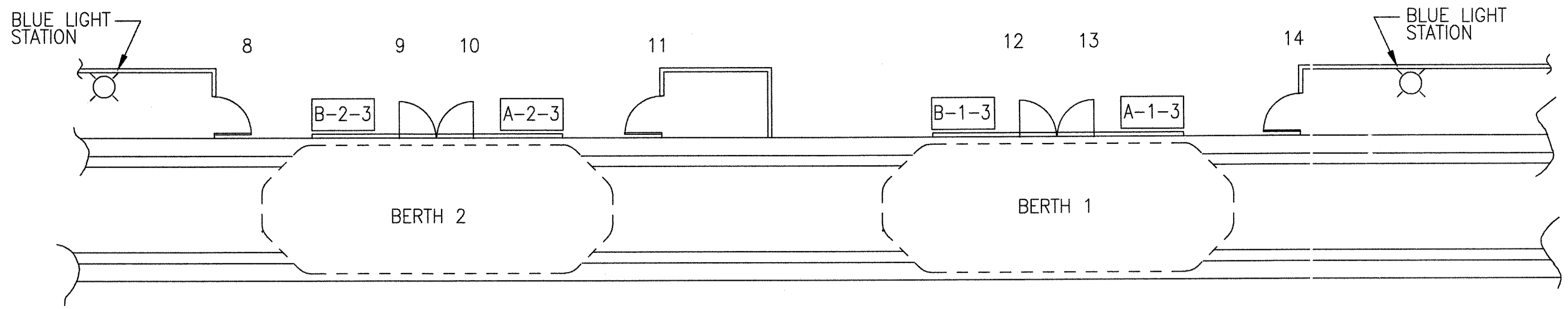
PROPRIETARY INFORMATION - SEE SHEET 1

AutoCAD

GEOMETRIC CHARACTERISTIC SYMBOLS	
FLATNESS	▭
STRAIGHTNESS	—
ROUNDNESS (CIRCULARITY)	○
CYLINDRICITY	⊘
PROFILE OF ANY LINE	⊖
PROFILE OF ANY SURFACE	⊖
PARALLELISM	∥
PERPENDICULARITY (SQUARENESS)	⊥
ANGULARITY	∠
RUNOUT	⊘
TRUE POSITION	⊕
CONCENTRICITY	⊕
SYMMETRY	⊕
MAXIMUM MATERIAL CONDITION (MMC)	Ⓜ
REGARDLESS OF FEATURE SIZE	Ⓜ

DFTM.	J.LYNSKEY	DATE	11-18-97
CHKR.			
ENGRG.	K. RYAN		
MFG.			
APPD.			
DFTG. SUPV.	E.D. MATTY		

<b>BOMBARDIER</b>	
TITLE WAYSIDE SYSTEM SCHEMATIC	
GEORGE BUSH INTERCONTINENTAL AIRPORT-HOUSTON	
DIMENSIONS IN INCHES	
SIZE	D
DWG. NO.	5D81332
REV.	9
SCALE	NONE
WT.	
SHEET	103



\*NOTE: SEE SHEET 62/63 FOR K3 CIRCUITRY

TERMINAL B SOUTH STATION  
PASSENGER DOORS CLOSED & LOCKED INTERFACE

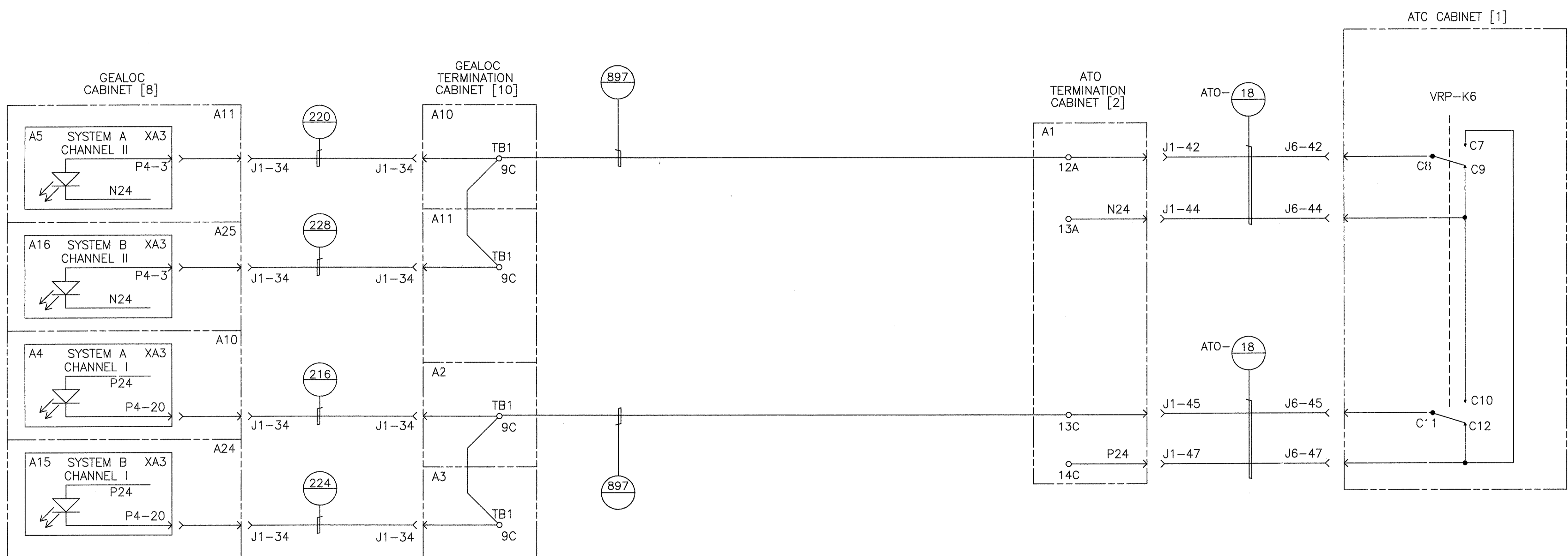
PROPRIETARY INFORMATION - SEE SHEET 1



GEOMETRIC CHARACTERISTIC SYMBOLS	
FLATNESS	▭
STRAIGHTNESS	—
ROUNDNESS (CIRCULARITY)	○
CYLINDRICITY	⊘
PROFILE OF ANY LINE	⌒
PROFILE OF ANY SURFACE	⌒
PARALLELISM	∥
PERPENDICULARITY (SQUARENESS)	⊥
ANGULARITY	∠
RUNOUT	⊖
TRUE POSITION	⊕
CONCENTRICITY	⊙
SYMMETRY	⊞
MAXIMUM MATERIAL CONDITION (MMC)	Ⓜ
REGARDLESS OF FEATURE SIZE	Ⓛ

DFTM. J. LYNSKEY	DATE 11-18-97
CHKR.	
ENGRG. K. RYAN	
MFG.	
APPD.	
DFTG. SUPP. E.D. MATTY	

<b>BOMBARDIER</b>	
TITLE WAYSIDE SYSTEM SCHEMATIC	
GEORGE BUSH INTERCONTINENTAL AIRPORT-HOUSTON	
DIMENSIONS IN INCHES	
SIZE D	DWG. NO. 5D81332
SCALE NONE	WT.
SHEET 104	REV. 9



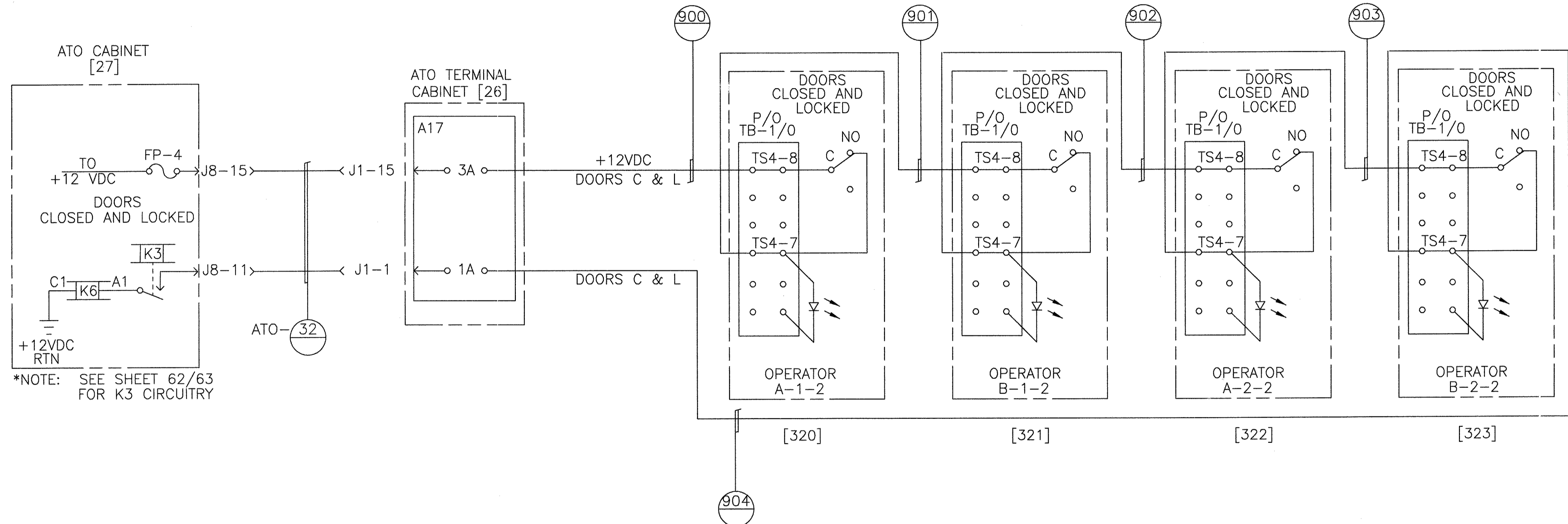
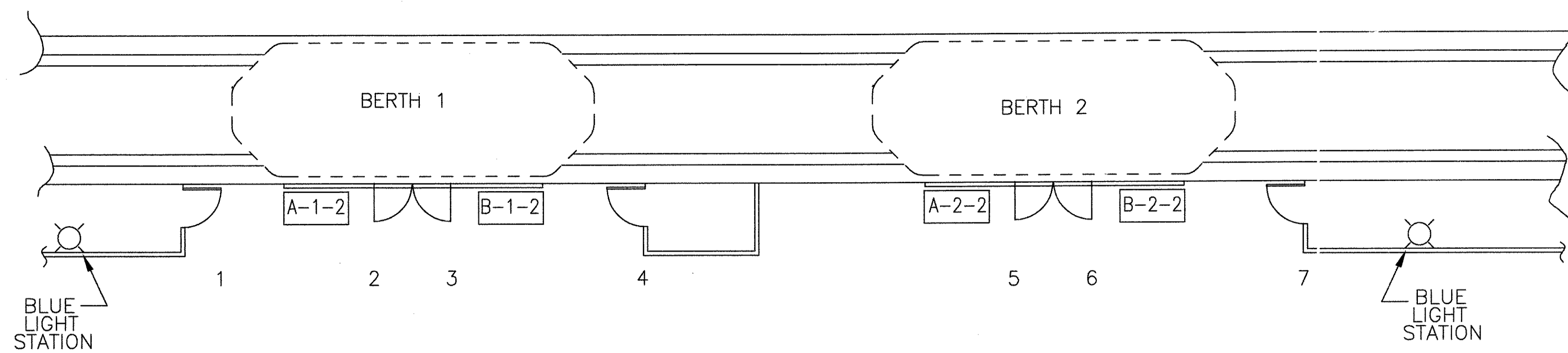
PASSENGER DOORS CLOSED & LOCKED

TERMINAL B SOUTH STATION  
ATO TO GEALOC INDICATIONS

PROPRIETARY INFORMATION - SEE SHEET 1

AutoCAD

<b>GEOMETRIC CHARACTERISTIC SYMBOLS</b> FLATNESS STRAIGHTNESS ROUNDNESS (CIRCULARITY) CYLINDRICITY PROFILE OF ANY LINE PROFILE OF ANY SURFACE PARALLELISM PERPENDICULARITY (SQUARENESS) ANGULARITY RUNOUT TRUE POSITION CONCENTRICITY SYMMETRY MAXIMUM MATERIAL CONDITION (MMC) REGARDLESS OF FEATURE SIZE		DFTM. J.LYNSKEY CHKR. ENGRG. K. RYAN MFG. APPD. DFTG. SUP'/. E.D. MATTY	DATE 11-18-97	<b>BOMBARDIER</b> TITLE WAYSIDE SYSTEM SCHEMATIC GEORGE BUSH INTERCONTINENTAL AIRPORT-HOUSTON DIMENSIONS IN INCHES SIZE D DWG. NO. 5D81332 SCALE NONE WT. SHEET 105	REV. 9
---	--	---	------------------	---	-----------

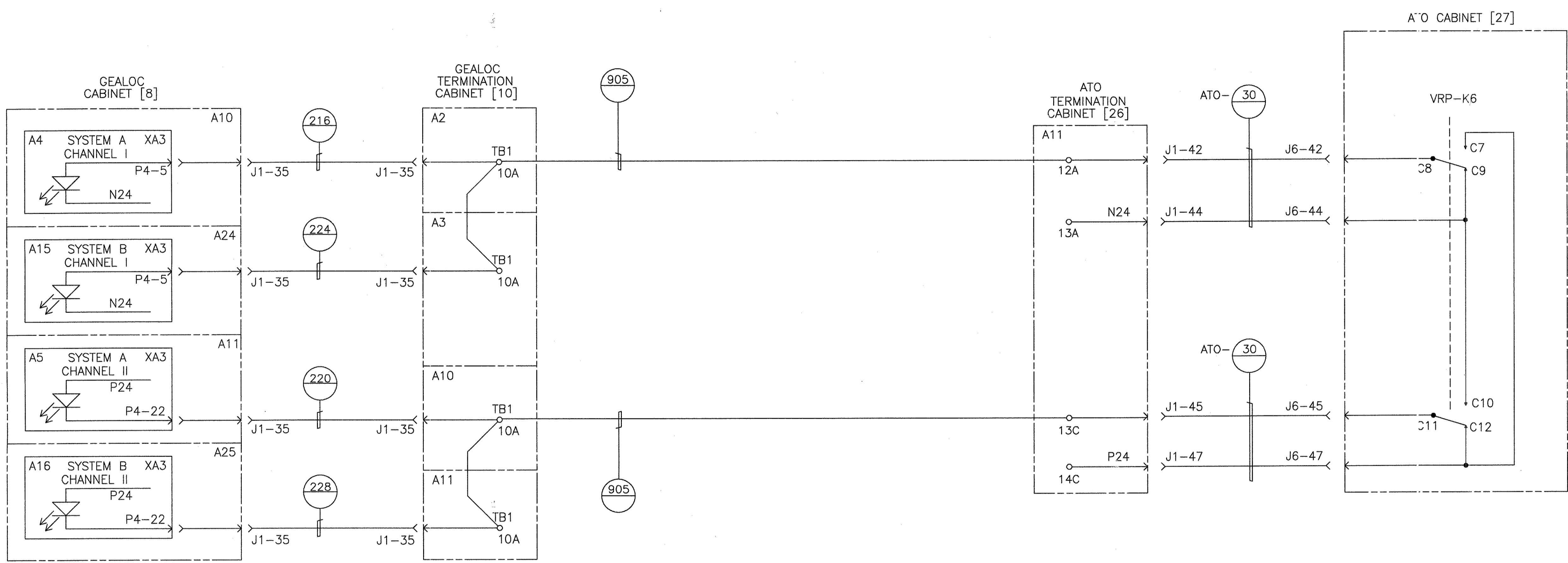


TERMINAL C NORTH STATION  
PASSENGER DOORS CLOSED & LOCKED INTERFACE

PROPRIETARY INFORMATION - SEE SHEET 1

AutoCAD

GEOMETRIC CHARACTERISTIC SYMBOLS		DFTM.	DATE	BOMBARDIER	
FLATNESS		J.LYNSKEY	11-18-97	TITLE	
STRAIGHTNESS		CHKR.		WAYSIDE SYSTEM SCHEMATIC	
ROUNDNESS (CIRCULARITY)		ENGRG.		GEORGE BUSH INTERCONTINENTAL AIRPORT-HOUSTON	
CYLINDRICITY		K. RYAN		DIMENSIONS IN INCHES	
PROFILE OF ANY LINE		MFG.		SIZE	DWG. NO.
PROFILE OF ANY SURFACE		APPD.		D	5D81332
PARALLELISM		DFTG. SUP'l.		SCALE	WT.
PERPENDICULARITY (SQUARENESS)		E.D. MATTY		NONE	
ANGULARITY				SHEET	106
RUNOUT					
TRUE POSITION					
CONCENTRICITY					
SYMMETRY					
MAXIMUM MATERIAL CONDITION (MMC)					
REGARDLESS OF FEATURE SIZE					



PASSENGER DOORS CLOSED & LOCKED

TERMINAL C NORTH STATION  
ATO TO GEALOC INDICATIONS

PROPRIETARY INFORMATION - SEE SHEET 1

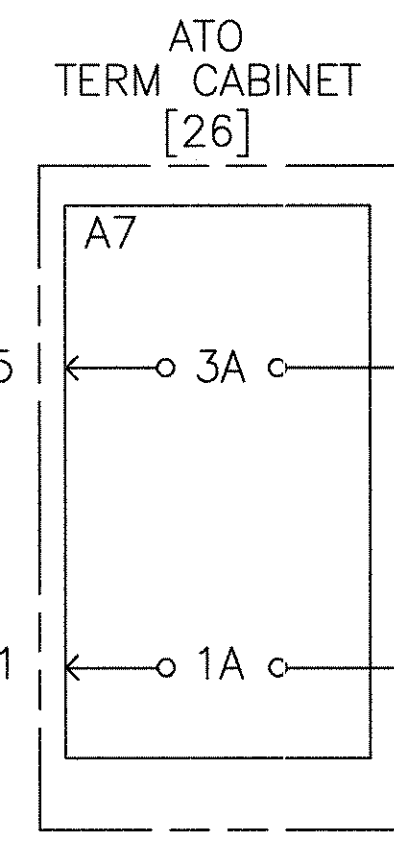
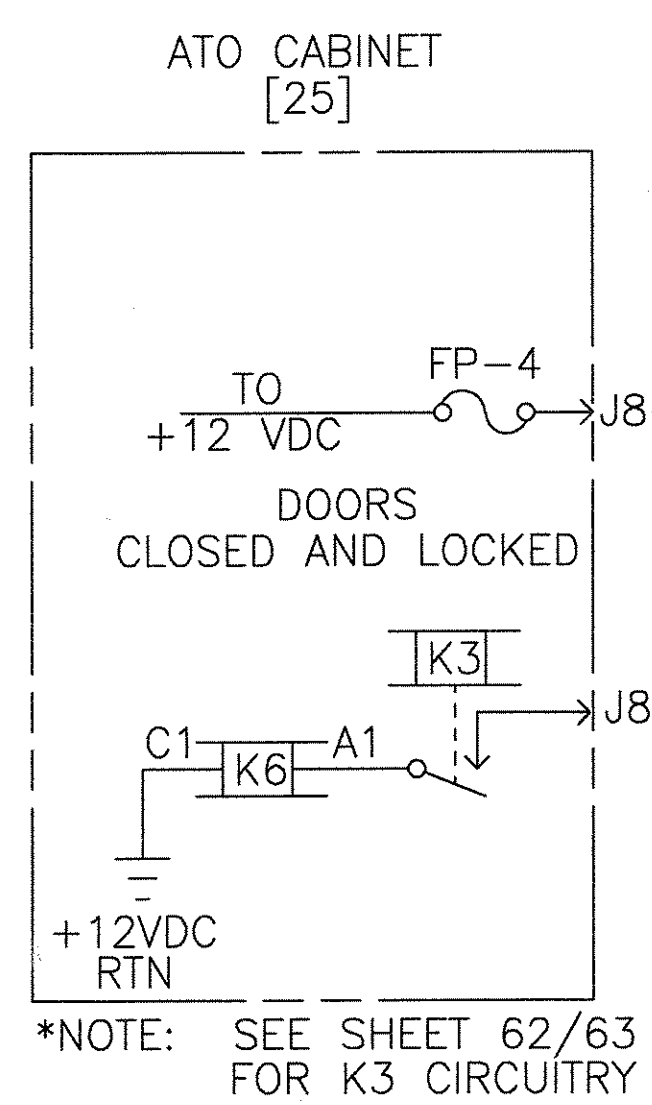
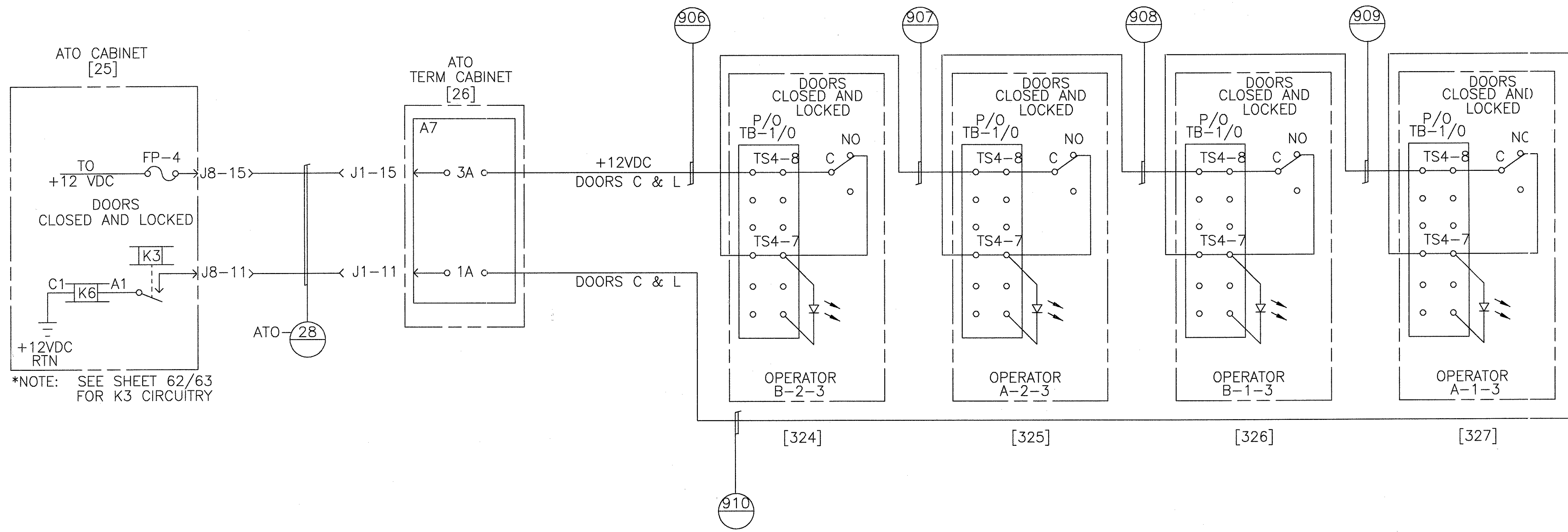
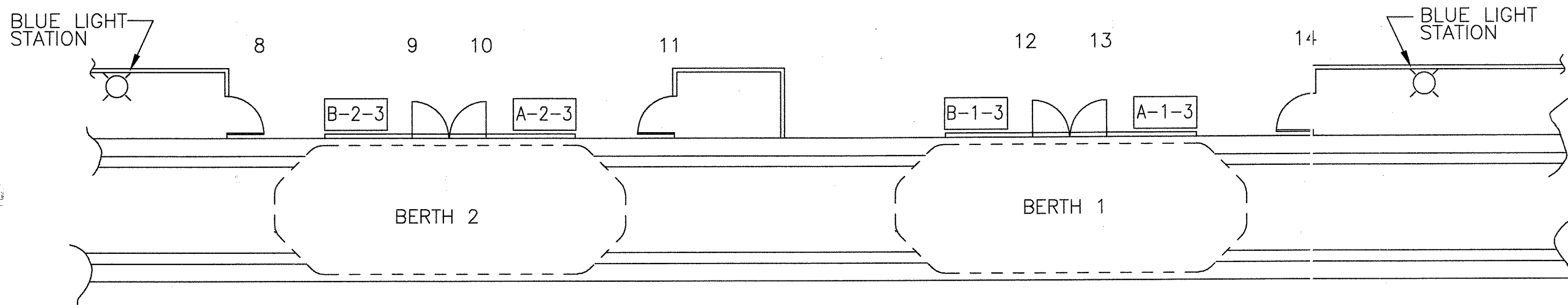
AutoCAD

GEOMETRIC CHARACTERISTIC SYMBOLS	
FLATNESS	▭
STRAIGHTNESS	—
ROUNDNESS (CIRCULARITY)	○
CYLINDRICITY	∅
PROFILE OF ANY LINE	⌒
PROFILE OF ANY SURFACE	⌒
PARALLELISM	∥
PERPENDICULARITY (SQUARENESS)	⊥
ANGULARITY	∠
RUNOUT	↻
TRUE POSITION	⊕
CONCENTRICITY	⊙
SYMMETRY	≡
MAXIMUM MATERIAL CONDITION (MMC)	Ⓜ
REGARDLESS OF FEATURE SIZE	Ⓛ

DFTM.	J.LYN SKEY	DATE	11-18-97
CHKR.			
ENGRG.	K. RYAN		
MFG.			
APPD.			
DFTG. SUPV.	E.D. MATTY		

<b>BOMBARDIER</b>	
TITLE WAYSIDE SYSTEM SCHEMATIC	
GEORGE BUSH INTERCONTINENTAL AIRPORT-HOUSTON	
DIMENSIONS IN INCHES	
SIZE	D
DWG. NO.	5D81332
REV.	9
SCALE	NONE
WT.	
SHEET	107

© 2005 BOMBARDIER INC. OR ITS SUBSIDIARIES. ALL RIGHTS RESERVED.



TERMINAL C SOUTH STATION  
PASSENGER DOORS CLOSED & LOCKED INTERFACE

PROPRIETARY INFORMATION - SEE SHEET 1

AutoCAD

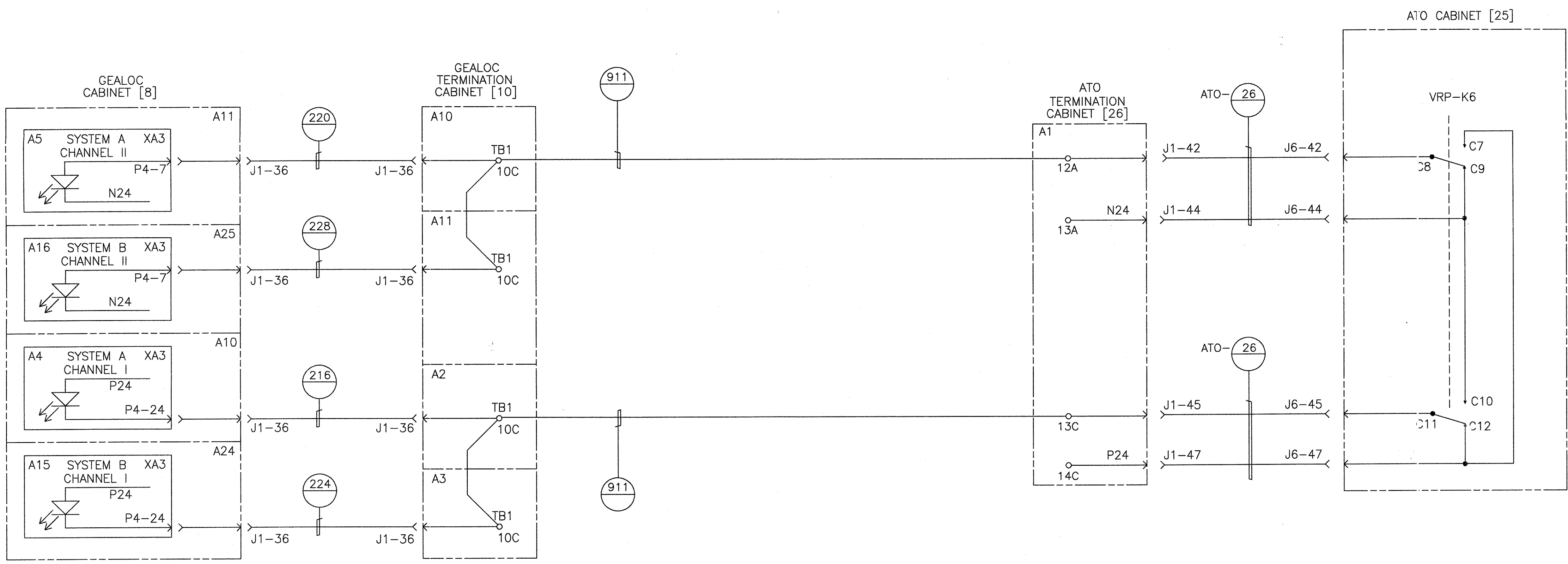
GEOMETRIC CHARACTERISTIC SYMBOLS	
FLATNESS	▭
STRAIGHTNESS	—
ROUNDNESS (CIRCULARITY)	○
CYLINDRICITY	⊘
PROFILE OF ANY LINE	⌒
PROFILE OF ANY SURFACE	⌒
PARALLELISM	∥
PERPENDICULARITY (SQUARENESS)	⊥
ANGULARITY	∠
RUNOUT	⊖
TRUE POSITION	⊕
CONCENTRICITY	⊙
SYMMETRY	⊞
MAXIMUM MATERIAL CONDITION (MMC)	Ⓜ
REGARDLESS OF FEATURE SIZE	Ⓜ

DFTM.	J.LYN:KEY	DATE	11-18-97
CHKR.			
ENGRG.	K. RYAN		
MFG.			
APPD.			
DFTG. S'JPV.	E.D. MATTY		

<b>BOMBARDIER</b>	
TITLE WAYSIDE SYSTEM SCHEMATIC	
GEORGE BUSH INTERCONTINENTAL AIRPORT-HOUSTON	
DIMENSIONS IN INCHES	
SIZE	D
DWG. NO.	5D81332
REV.	9
SCALE	NONE
WT.	
SHEET	108



F  
E  
D  
C  
B  
A  
 © 2005 BOMBARDIER INC. OR ITS SUBSIDIARIES. ALL RIGHTS RESERVED.  
 REV. NO. 1 2 3 4 5



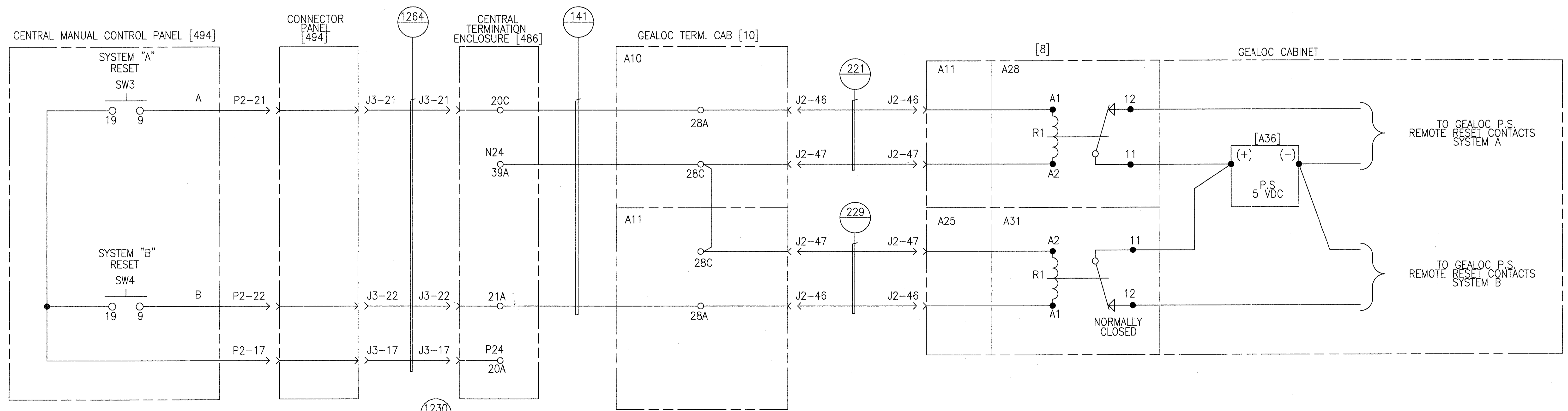
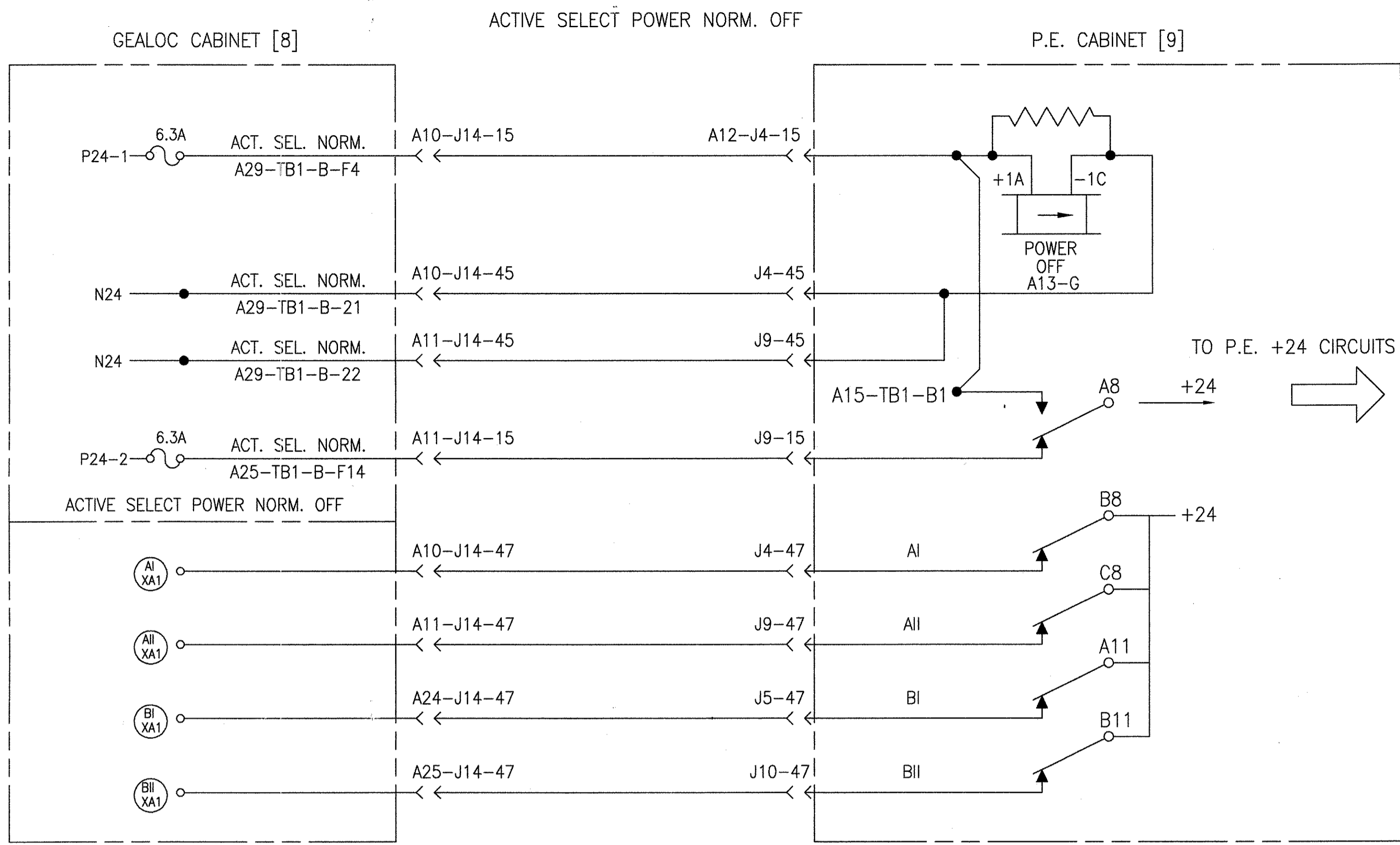
PASSENGER DOORS CLOSED & LOCKED

TERMINAL C SOUTH STATION  
ATO TO GEALOC INDICATIONS

PROPRIETARY INFORMATION - SEE SHEET 1

AutoCAD

GEOMETRIC CHARACTERISTIC SYMBOLS		DFTM.	DATE	BOMBARDIER	
FLATNESS	▭	J.LYN:KEY	11-18-97	TITLE	
STRAIGHTNESS	—	CHKR.		WAYSIDE SYSTEM SCHEMATIC	
ROUNDNESS (CIRCULARITY)	○	ENGRG.		GEORGE BUSH INTERCONTINENTAL AIRPORT-HOUSTON	
CYLINDRICITY	⊘	K. RYAN		DIMENSIONS IN INCHES	
PROFILE OF ANY LINE	—	MFG.		SIZE	DWG. NO.
PROFILE OF ANY SURFACE	—	APPD.		D	5D81332
PARALLELISM	∥	DFTG. S.JPV.		SCALE	WT.
PERPENDICULARITY (SQUARENESS)	⊥	E.D. MATTY		NONE	
ANGULARITY	∠			SHEET	109
RUNOUT	⊘				
TRUE POSITION	⊕				
CONCENTRICITY	⊙				
SYMMETRY	⊙				
MAXIMUM MATERIAL CONDITION (MMC)	Ⓜ				
REGARDLESS OF FEATURE SIZE	Ⓛ				



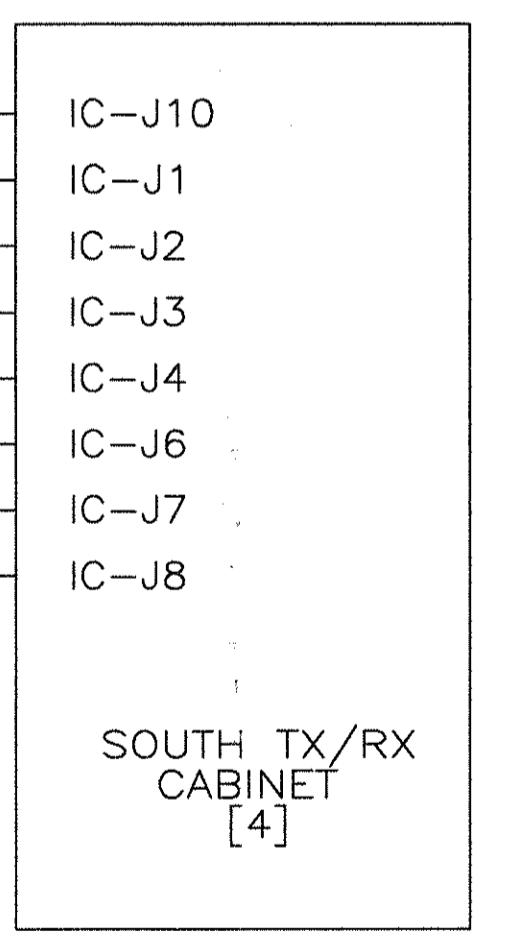
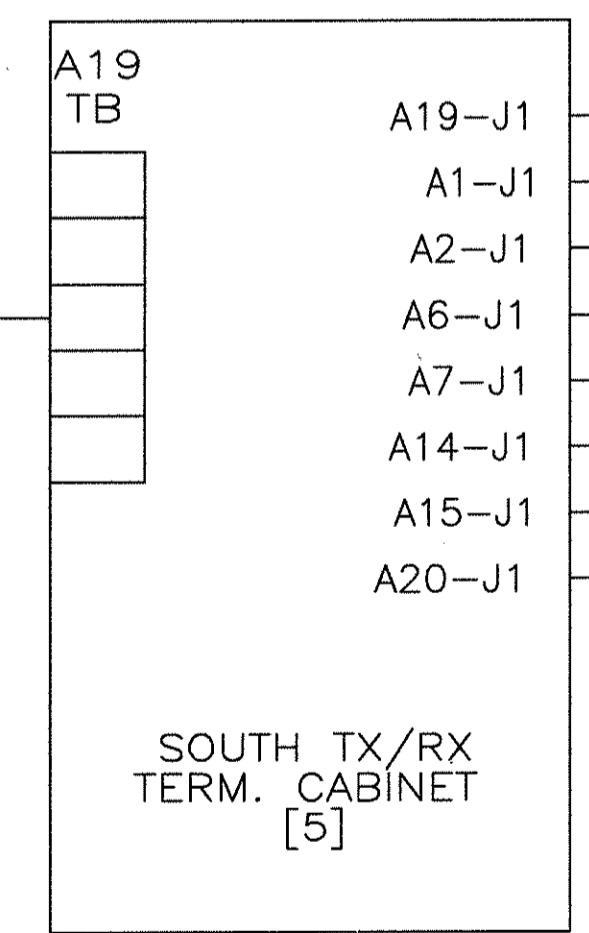
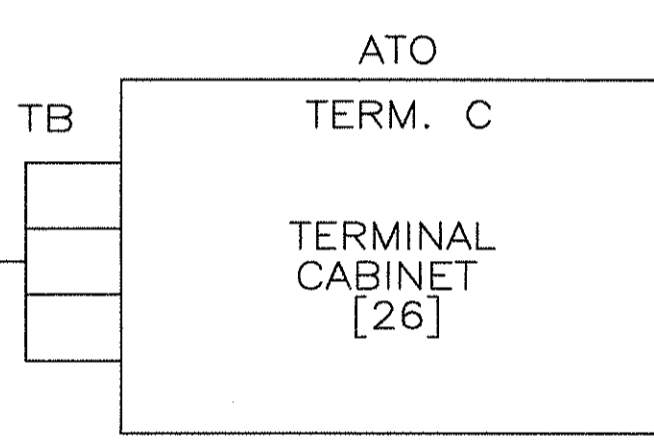
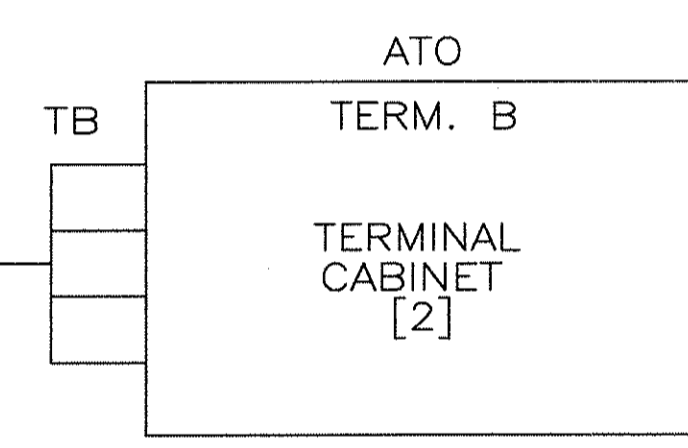
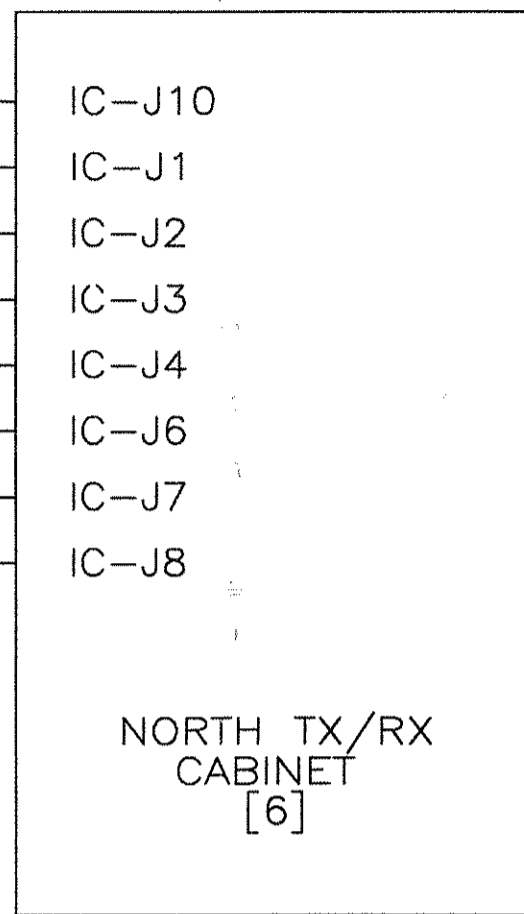
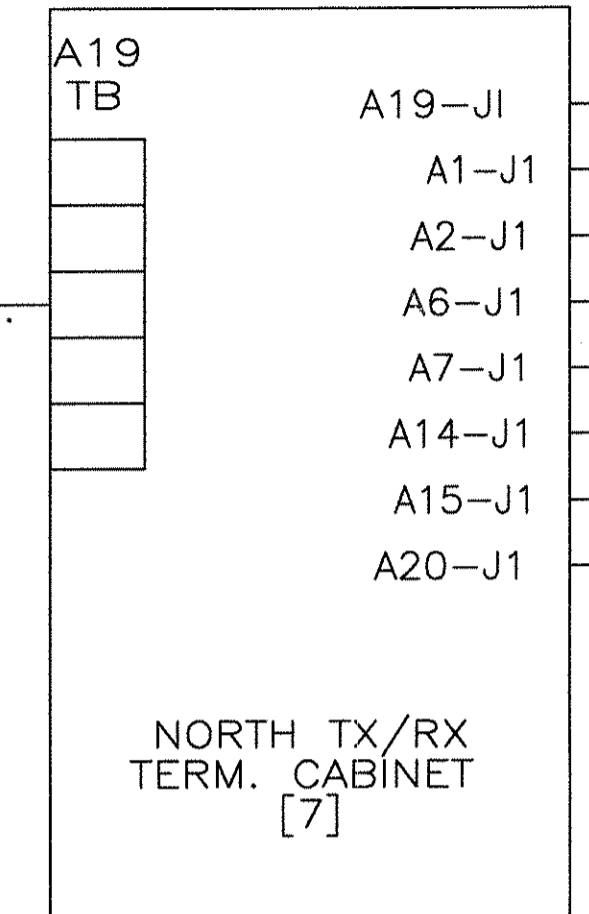
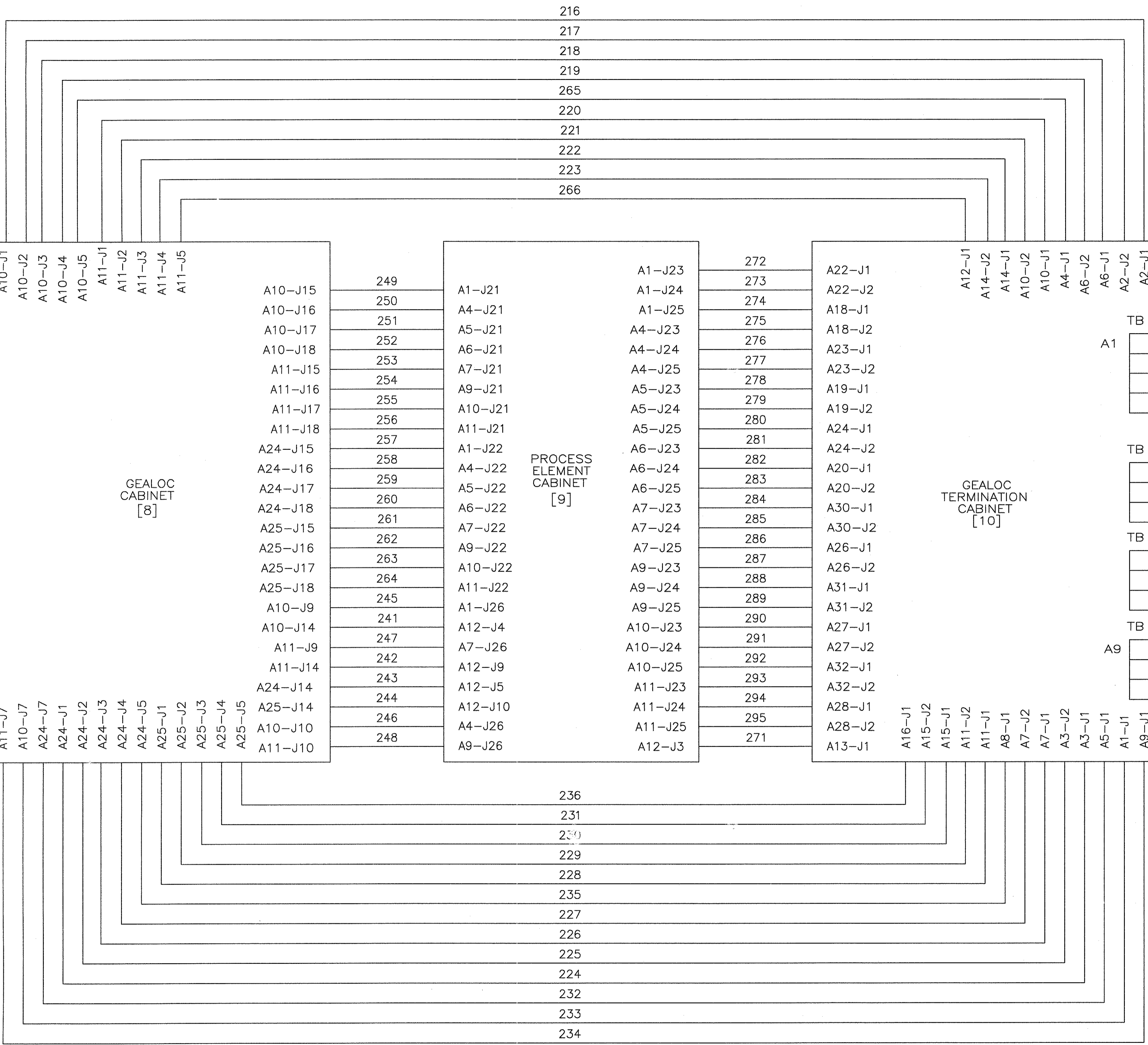
PROPRIETARY INFORMATION - SEE SHEET 1

AutoCAD

GEOMETRIC CHARACTERISTIC SYMBOLS	
FLATNESS	≡
STRAIGHTNESS	≡
ROUNDNESS (CIRCULARITY)	⊘
CYLINDRICITY	⊘
PROFILE OF ANY LINE	⊘
PROFILE OF ANY SURFACE	⊘
PARALLELISM	∥
PERPENDICULARITY (SQUARENESS)	⊥
ANGULARITY	∠
ROUNDOUT	⊘
TRUE POSITION	⊕
CONCENTRICITY	⊕
SYMMETRY	⊕
MAXIMUM MATERIAL CONDITION (MMC)	Ⓜ
REGARDLESS OF FEATURE SIZE	Ⓜ

DFTM.	J.LYN:KEY	DATE	1-12-98
CHKR.			
ENGRG.	K. RYAN		
MFG.			
APPD.			
DFTG. S'IPV.	E.D. WATTY		

<b>BOMBARDIER</b>			
TITTLE			
WAYSIDE SYSTEM SCHEMATIC			
GEORGE BUSH INTERCONTINENTAL AIRPORT-HOUSTON			
DIMENSIONS IN INCHES			
SIZE	D	DWG. NO.	5D81332
SCALE	NONE	WT.	
SHEET	110	REV.	9



GEALOC INTERCONNECTING CABLES

PROPRIETARY INFORMATION - SEE SHEET 1

AutoCAD

GEOMETRIC CHARACTERISTIC SYMBOLS	
FLATNESS	—
STRAIGHTNESS	—
ROUNDNESS (CIRCULARITY)	—
CYLINDRICITY	—
PROFILE OF ANY LINE	—
PROFILE OF ANY SURFACE	—
PARALLELISM	—
PERPENDICULARITY (SQUARENESS)	—
ANGULARITY	—
RUNOUT	—
TRUE POSITION	—
CONCENTRICITY	—
SYMMETRY	—
MAXIMUM MATERIAL CONDITION (MMC)	—
REGARDLESS OF FEATURE SIZE	—

DFTM.	J.LYNSKEY	DATE	11-24-97
CHKR.			
ENGRG.	K. RYAN		
MFG.			
APPD.			
DFTG. SUPV.	E.D. MATTY		

<b>BOMBARDIER</b>	
TITLE	
WAYSIDE SYSTEM SCHEMATIC	
GEORGE BUSH INTERCONTINENTAL AIRPORT-HOUSTON	
DIMENSIONS IN INCHES	
SIZE	D
DWG. NO.	5D81332
REV.	9
SCALE	NONE
WT.	
SHEET	111

© 2005, BOMBARDIER INC. OR ITS SUBSIDIARIES. ALL RIGHTS RESERVED.

TERM. B ATO  
CABINET SOUTH [1]

- 01-P1
- 01-P2
- 01-P3
- 01-P4
- 01-P6
- 01-P7
- 01-P8
- 01-P10

- ATO-1
- ATO-2
- ATO-3
- ATO-4
- ATO-18
- ATO-19
- ATO-20
- ATO-17

TERM. B ATO  
TERM. CABINET [2]

- 02-A5-J1
- 02-A3-J1
- 02-A4-J1
- 02-A9-J1
- 02-A1-J1
- 02-A2-J1
- 02-A7-J1
- 02-A6-J1
- 02-A15-J1
- 02-A13-J1
- 02-A14-J1
- 02-A19-J1
- 02-A11-J1
- 02-A12-J1
- 02-A17-J1
- 02-A16-J1

TERM. B ATO  
CABINET NORTH [3]

- 03-P1
- 03-P2
- 03-P3
- 03-P4
- 03-P6
- 03-P7
- 03-P8
- 03-P10

TERM. C ATO  
CABINET SOUTH [25]

- 25-P1
- 25-P2
- 25-P3
- 25-P4
- 25-P6
- 25-P7
- 25-P8
- 25-P10

- ATO-9
- ATO-10
- ATO-11
- ATO-12
- ATO-26
- ATO-27
- ATO-28
- ATO-25

TERM. C ATO  
TERM. CABINET [26]

- 26-A5-J1
- 26-A3-J1
- 26-A4-J1
- 26-A9-J1
- 26-A1-J1
- 26-A2-J1
- 26-A7-J1
- 26-A6-J1
- 26-A15-J1
- 26-A13-J1
- 26-A14-J1
- 26-A19-J1
- 26-A11-J1
- 26-A12-J1
- 26-A17-J1
- 26-A16-J1

TERM. C ATO  
CABINET NORTH [27]

- 27-P1
- 27-P2
- 27-P3
- 27-P4
- 27-P6
- 27-P7
- 27-P8
- 27-P10

### ATO INTERCONNECTING CABLES

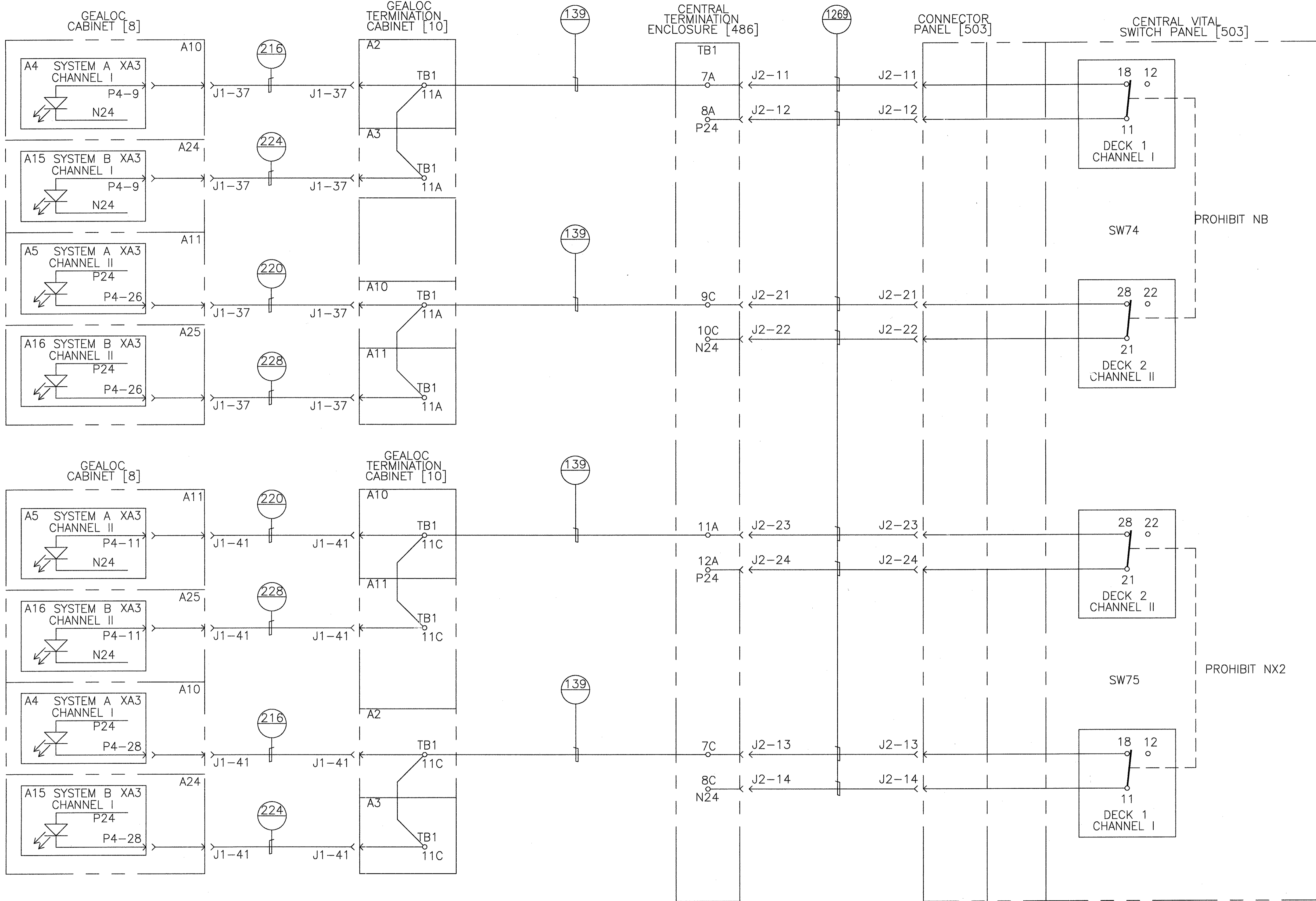
PROPRIETARY INFORMATION - SEE SHEET 1

AutoCAD

GEOMETRIC CHARACTERISTIC SYMBOLS	
FLATNESS	▭
STRAIGHTNESS	▬
ROUNDNESS (CIRCULARITY)	○
CYLINDRICITY	⊘
PROFILE OF ANY LINE	⌒
PROFILE OF ANY SURFACE	⌒
PARALLELISM	∥
PERPENDICULARITY (SQUARENESS)	⊥
ANGULARITY	∠
RUNOUT	↻
TRUE POSITION	⊕
CONCENTRICITY	⊙
SYMMETRY	⊞
MAXIMUM MATERIAL CONDITION (MMC)	Ⓜ
REGARDLESS OF FEATURE SIZE	Ⓛ

DFTM. J. LYNKEY	DATE 1-15-98
CHKR.	
ENGRG. K. RYAN	
MFG.	
APPD.	
DFTG. SUPV. E.D. MATTY	

<b>BOMBARDIER</b>	
TITLE WAYSIDE SYSTEM SCHEMATIC	
GEORGE BUSH INTERCONTINENTAL AIRPORT-HOUSTON	
DIMENSIONS IN INCHES	
SIZE D	DWG. NO. 5D81332
SCALE NONE	WT.
SHEET 112	REV. 9



CENTRAL VITAL SWITCH PANEL  
PROHIBIT ZONES-NB/ NX2

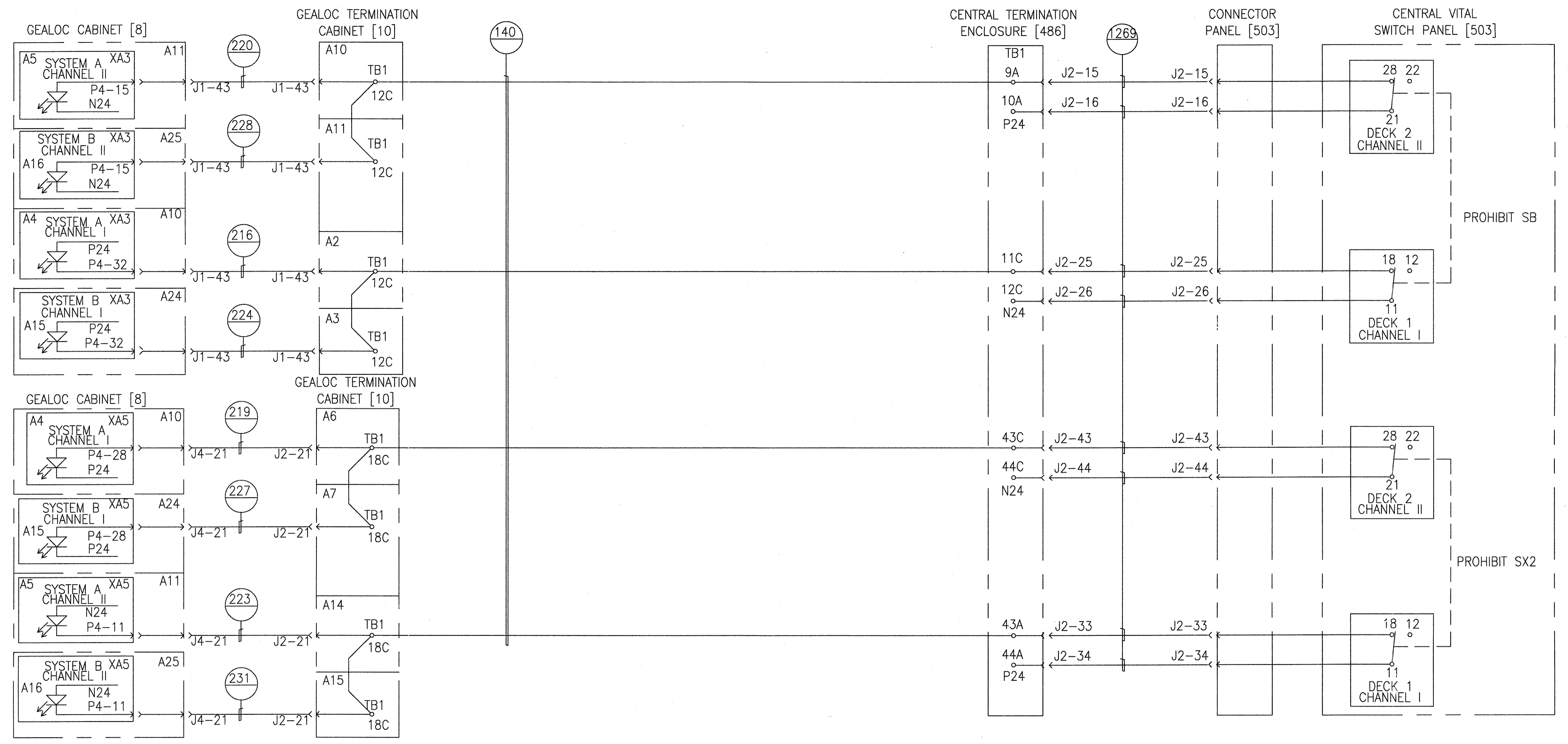
GEOMETRIC CHARACTERISTIC SYMBOLS	
FLATNESS	▭
STRAIGHTNESS	—
ROUNDNESS (CIRCULARITY)	○
CYLINDRICITY	⊘
PROFILE OF ANY LINE	△
PROFILE OF ANY SURFACE	⌒
PARALLELISM	∥
PERPENDICULARITY (SQUARENESS)	⊥
ANGULARITY	∠
RUNOUT	↻
TRUE POSITION	⊕
CONCENTRICITY	⊙
SYMMETRY	⊞
MAXIMUM MATERIAL CONDITION (MMC)	Ⓜ
REGARDLESS OF FEATURE SIZE	Ⓛ

DFTM.	J.LYNSKEY	DATE	9-30-97
CHKR.			
ENGR.	K. RYAN		
MFG.			
APPD.			
DFTG. SUPV.	E.D. MATTY		

<b>BOMBARDIER</b>	
TITLE WAYSIDE SYSTEM SCHEMATIC	
GEORGE BUSH INTERCONTINENTAL AIRPORT-HOUSTON	
DIMENSIONS IN INCHES	
SIZE	D
DWG. NO.	5D81332
REV.	9
SCALE	NONE
WT.	
SHEET	113

PROPRIETARY INFORMATION - SEE SHEET 1

AutoCAD



CENTRAL VITAL SWITCH PANEL  
PROHIBIT ZONES-SB, SX2

PROPRIETARY INFORMATION - SEE SHEET 1

AutoCAD

<b>GEOMETRIC CHARACTERISTIC SYMBOLS</b> FLATNESS STRAIGHTNESS ROUNDNESS (CIRCULARITY) CYLINDRICITY PROFILE OF ANY LINE PROFILE OF ANY SURFACE PARALLELISM PERPENDICULARITY (SQUARENESS) ANGULARITY RUNOUT TRUE POSITION CONCENTRICITY SYMMETRY MAXIMUM MATERIAL CONDITION (MMC) REGARDLESS OF FEATURE SIZE		DFTM. J.LYNSKEY CHK. K. RYAN ENGRG. K. RYAN MFG. APPD. DFTG. SUPV. E.D. MATTY	DATE 1-7-98 115	<b>BOMBARDIER</b> TITLE WAYSIDE SYSTEM SCHEMATIC GEORGE BUSH INTERCONTINENTAL AIRPORT-HOUSTON DIMENSIONS IN INCHES SIZE D DWG. NO. 5D81332 REV. 9 SCALE NONE WT. SHEET 114
---	--	--	--------------------	--

THIS SHEET INTENTIONALLY LEFT BLANK

PROPRIETARY INFORMATION - SEE SHEET 1

AutoCAD

GEOMETRIC CHARACTERISTIC SYMBOLS	
FLATNESS	
STRAIGHTNESS	
ROUNDNESS (CIRCULARITY)	
CYLINDRICITY	
PROFILE OF ANY LINE	
PROFILE OF ANY SURFACE	
PARALLELISM	
PERPENDICULARITY (SQUARENESS)	
ANGULARITY	
RUNOUT	
TRUE POSITION	
CONCENTRICITY	
SYMMETRY	
MAXIMUM MATERIAL CONDITION (MMC)	
REGARDLESS OF FEATURE SIZE	

DFTM.	DATE
J.LYNSKEY	1-7-98
CHKR.	
ENGRG.	
K. RYAN	
MFG.	
APPD.	
E.D. MATTY	

BOMBARDIER			
TITLE			
WAYSIDE SYSTEM SCHEMATIC			
GEORGE BUSH INTERCONTINENTAL AIRPORT-HOUSTON			
DIMENSIONS IN INCHES			
SIZE	DWG. NO.	REV.	
D	5D81332	9	
SCALE NONE	WT.	SHEET 115	

© 2005, BOMBARDIER INC. OR ITS SUBSIDIARIES. ALL RIGHTS RESERVED.

THIS SHEET INTENTIONALLY LEFT BLANK

PROPRIETARY INFORMATION - SEE SHEET 1

AutoCAD

GEOMETRIC CHARACTERISTIC SYMBOLS	
FLATNESS	
STRAIGHTNESS	
ROUNDNESS (CIRCULARITY)	
CYLINDRICITY	
PROFILE OF ANY LINE	
PROFILE OF ANY SURFACE	
PARALLELISM	
PERPENDICULARITY (SQUARENESS)	
ANGULARITY	
RUNOUT	
TRUE POSITION	
CONCENTRICITY	
SYMMETRY	
MAXIMUM MATERIAL CONDITION (MMC)	
REGARDLESS OF FEATURE SIZE	

DFTM.	J.LYNSKEY	DATE	1-7-98
CHKR.			
ENGRG.	K. RYAN		
MFG.			
APPD.			
DFTG. SUPV.	E.D. MATTY		

<b>BOMBARDIER</b>			
TITLE WAYSIDE SYSTEM SCHEMATIC			
GEORGE BUSH INTERCONTINENTAL AIRPORT-HOUSTON			
DIMENSIONS IN INCHES			
SIZE	D	DWG. NO.	5D81332
SCALE	NONE	WT.	
SHEET	116	REV.	9

© 2005, BOMBARDIER INC. OR ITS SUBSIDIARIES. ALL RIGHTS RESERVED.



THIS SHEET INTENTIONALLY LEFT BLANK

GEOMETRIC CHARACTERISTIC SYMBOLS	
FLATNESS	
STRAIGHTNESS	
ROUNDNESS (CIRCULARITY)	
CYLINDRICITY	
PROFILE OF ANY LINE	
PROFILE OF ANY SURFACE	
PARALLELISM	
PERPENDICULARITY (SQUARENESS)	
ANGULARITY	
RUNOUT	
TRUE POSITION	
CONCENTRICITY	
SYMMETRY	
MAXIMUM MATERIAL CONDITION (MMC) REGARDLESS OF FEATURE SIZE	

DFTM. J.LYNSKEY	DATE 1-7-98
CHKR.	
ENGRG. K. RYAN	
MFG.	
APPD.	
DFTG. SUPV. E.D. MATTY	

<b>BOMBARDIER</b>	
TITLE WAYSIDE SYSTEM SCHEMATIC	
GEORGE BUSH INTERCONTINENTAL AIRPORT-HOUSTON	
DIMENSIONS IN INCHES	
SIZE D	DWG. NO. 5D81332
SCALE NONE	WT.
SHEET 117	REV. 9

PROPRIETARY INFORMATION - SEE SHEET 1

AutoCAD

THIS SHEET INTENTIONALLY LEFT BLANK

© 2005, BOMBARDIER INC. OR ITS SUBSIDIARIES. ALL RIGHTS RESERVED.

PROPRIETARY INFORMATION - SEE SHEET 1

AutoCAD

GEOMETRIC CHARACTERISTIC SYMBOLS	
FLATNESS	[Symbol]
STRAIGHTNESS	[Symbol]
ROUNDNESS (CIRCULARITY)	[Symbol]
CYLINDRICITY	[Symbol]
PROFILE OF ANY LINE	[Symbol]
PROFILE OF ANY SURFACE	[Symbol]
PARALLELISM	[Symbol]
PERPENDICULARITY (SQUARENESS)	[Symbol]
ANGULARITY	[Symbol]
RUNOUT	[Symbol]
TRUE POSITION	[Symbol]
CONCENTRICITY	[Symbol]
SYMMETRY	[Symbol]
MAXIMUM MATERIAL CONDITION (MMC) REGARDLESS OF FEATURE SIZE	[Symbol]

DFTM. J.LYNSKEY	DATE 1-7-98
CHKR.	
ENGRG. K. RYAN	
MFG.	
APPD.	
DFTG. SUPV. E.D. MATTY	119

<b>BOMBARDIER</b>	
TITLE WAYSIDE SYSTEM SCHEMATIC	
GEORGE BUSH INTERCONTINENTAL AIRPORT-HOUSTON	
DIMENSIONS IN INCHES	
SIZE D	DWG. NO. 5D81332
SCALE NONE	WT. SHEET 118
REV. 9	

THIS SHEET INTENTIONALLY LEFT BLANK

GEOMETRIC CHARACTERISTIC SYMBOLS	
FLATNESS	
STRAIGHTNESS	
ROUNDNESS (CIRCULARITY)	
CYLINDRICITY	
PROFILE OF ANY LINE	
PROFILE OF ANY SURFACE	
PARALLELISM	
PERPENDICULARITY (SQUARENESS)	
ANGULARITY	
RUNOUT	
TRUE POSITION	
CONCENTRICITY	
SYMMETRY	
MAXIMUM MATERIAL CONDITION (MMC) REGARDLESS OF FEATURE SIZE	

DFTM. J. LYNKEY	DATE 1-15-98
CHKR.	
ENGRG. K. RYAN	
MFG.	
APPD.	
DFTG. SUPV. E.D. MATTY	

<b>BOMBARDIER</b>	
TITLE WAYSIDE SYSTEM SCHEMATIC	
GEORGE BUSH INTERCONTINENTAL AIRPORT-HOUSTON	
DIMENSIONS IN INCHES	
SIZE D	DWG. NO. 5D81332
SCALE NONE	WT.
SHEET 119	REV. 9

PROPRIETARY INFORMATION - SEE SHEET 1

AutoCAD

THIS SHEET INTENTIONALLY LEFT BLANK

PROPRIETARY INFORMATION - SEE SHEET 1

AutoCAD

GEOMETRIC CHARACTERISTIC SYMBOLS	
FLATNESS	
STRAIGHTNESS	
ROUNDNESS (CIRCULARITY)	
CYLINDRICITY	
PROFILE OF ANY LINE	
PROFILE OF ANY SURFACE	
PARALLELISM	
PERPENDICULARITY (SQUARENESS)	
ANGULARITY	
RUNOUT	
TRUE POSITION	
CONCENTRICITY	
SYMMETRY	
MAXIMUM MATERIAL CONDITION (MMC)	
REGARDLESS OF FEATURE SIZE	

DFTM.	J. LYNSKEY	DATE	1-16-98
CHKR.			
ENGRG.	K. RYAN		
MFG.			
APPD.			
DFTG. SUPV.	E.D. MATTY		

<b>BOMBARDIER</b>			
TITLE WAYSIDE SYSTEM SCHEMATIC			
GEORGE BUSH INTERCONTINENTAL AIRPORT-HOUSTON			
DIMENSIONS IN INCHES			
SIZE	D	DWG. NO.	5D81332
SCALE	NONE	WT.	
SHEET	120	REV.	9

© 2005, BOMBARDIER INC. OR ITS SUBSIDIARIES. ALL RIGHTS RESERVED.

THIS SHEET INTENTIONALLY LEFT BLANK

GEOMETRIC CHARACTERISTIC SYMBOLS	
FLATNESS	
STRAIGHTNESS	
ROUNDNESS (CIRCULARITY)	
CYLINDRICITY	
PROFILE OF ANY LINE	
PROFILE OF ANY SURFACE	
PARALLELISM	
PERPENDICULARITY (SQUARENESS)	
ANGULARITY	
RUNOUT	
TRUE POSITION	
CONCENTRICITY	
SYMMETRY	
MAXIMUM MATERIAL CONDITION (MMC)	
REGARDLESS OF FEATURE SIZE	

DFTM. J. LYNSKEY	DATE 1-16-98
CHKR.	
ENGRG. K. RYAN	
MFG.	
APPD.	
DFTG. SUPV. E.D. MATTY	

<b>BOMBARDIER</b>	
TITLE WAYSIDE SYSTEM SCHEMATIC	
GEORGE BUSH INTERCONTINENTAL AIRPORT-HOUSTON	
DIMENSIONS IN INCHES	
SIZE D	DWG. NO. 5D81332
SCALE NONE	WT.
SHEET 121	REV. 9

PROPRIETARY INFORMATION - SEE SHEET 1

AutoCAD

REV. NO. 1 2 3 4 5

© 2005 BOMBARDIER INC. OR ITS SUBSIDIARIES. ALL RIGHTS RESERVED.

THIS SHEET INTENTIONALLY LEFT BLANK

PROPRIETARY INFORMATION - SEE SHEET 1

AutoCAD

GEOMETRIC CHARACTERISTIC SYMBOLS	
FLATNESS	
STRAIGHTNESS	
ROUNDNESS (CIRCULARITY)	
CYLINDRICITY	
PROFILE OF ANY LINE	
PROFILE OF ANY SURFACE	
PARALLELISM	
PERPENDICULARITY (SQUARENESS)	
ANGULARITY	
RUNOUT	
TRUE POSITION	
CONCENTRICITY	
SYMMETRY	
MAXIMUM MATERIAL CONDITION (MMC)	
REGARDLESS OF FEATURE SIZE	

DFTM.	J. LYNKEY	DATE	1-16-98
CHKR.			
ENGRG.	K. RYAN		
MFG.			
APPD.			
DFTG. SUPV.	E.D. MATTY		

<b>BOMBARDIER</b>			
TITLE			
WAYSIDE SYSTEM SCHEMATIC			
GEORGE BUSH INTERCONTINENTAL AIRPORT-HOUSTON			
DIMENSIONS IN INCHES			
SIZE	D	DWG. NO.	5D81332
SCALE	NONE	WT.	
SHEET	122	REV.	9


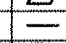




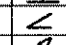






© 2005, BOMBARDIER INC. OR ITS SUBSIDIARIES. ALL RIGHTS RESERVED.

THIS SHEET INTENTIONALLY LEFT BLANK

© 2005, BOMBARDIER INC. OR ITS SUBSIDIARIES. ALL RIGHTS RESERVED.

PROPRIETARY INFORMATION - SEE SHEET 1

AutoCAD

<b>GEOMETRIC CHARACTERISTIC SYMBOLS</b> FLATNESS  STRAIGHTNESS  ROUNDNESS (CIRCULARITY)  CYLINDRICITY  PROFILE OF ANY LINE  PROFILE OF ANY SURFACE  PARALLELISM  PERPENDICULARITY (SQUARENESS)  ANGULARITY  RUNOUT  TRUE POSITION  COINCIDENCE  SYMMETRY  MAXIMUM MATERIAL CONDITION (MMC)  REGARDLESS OF FEATURE SIZE		DFTM. J. LYNKEY CHKR. ENGRG. K. RYAN MFG. APPD. DFTG. SUPV. E.D. MATTY	DATE 1-16-98 TITLE WAYSIDE SYSTEM SCHEMATIC GEORGE BUSH INTERCONTINENTAL AIRPORT-HOUSTON DIMENSIONS IN INCHES SIZE D DWG. NO. 5D81332 SCALE NONE WT. SHEET 123	<b>BOMBARDIER</b> REV. 9
---	--	---	---	-----------------------------

THIS SHEET INTENTIONALLY LEFT BLANK

PROPRIETARY INFORMATION - SEE SHEET 1

AutoCAD

GEOMETRIC CHARACTERISTIC SYMBOLS	
FLATNESS	
STRAIGHTNESS	
ROUNDNESS (CIRCULARITY)	
CYLINDRICITY	
PROFILE OF ANY LINE	
PROFILE OF ANY SURFACE	
PARALLELISM	
PERPENDICULARITY (SQUARENESS)	
ANGULARITY	
RUNOUT	
TRUE POSITION	
CONCENTRICITY	
SYMMETRY	
MAXIMUM MATERIAL CONDITION (MMC)	
REGARDLESS OF FEATURE SIZE	

DFTM.	J. LYNSKEY	DATE	1-16-98
CHKR.			
ENGRG.	K. RYAN		
MFG.			
APPD.			
DFTG. SUPV.	E.D. MATTY		

<b>BOMBARDIER</b>			
TITLE WAYSIDE SYSTEM SCHEMATIC			
GEORGE BUSH INTERCONTINENTAL AIRPORT-HOUSTON			
DIMENSIONS IN INCHES			
SIZE	D	DWG. NO.	5D81332
SCALE	NONE	WT.	
SHEET	124	REV.	9

© 2005 BOMBARDIER INC. OR ITS SUBSIDIARIES. ALL RIGHTS RESERVED.



THIS SHEET INTENTIONALLY LEFT BLANK

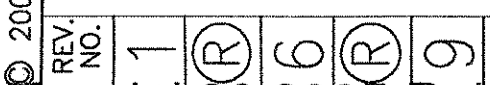
GEOMETRIC CHARACTERISTIC SYMBOLS	
FLATNESS	
STRAIGHTNESS	
ROUNDNESS (CIRCULARITY)	
CYLINDRICITY	
PROFILE OF ANY LINE	
PROFILE OF ANY SURFACE	
PARALLELISM	
PERPENDICULARITY (SQUARENESS)	
ANGULARITY	
RUNOUT	
TRUE POSITION	
CONCENTRICITY	
SYMMETRY	
MAXIMUM MATERIAL CONDITION (MMC) REGARDLESS OF FEATURE SIZE	

DFTM. J. LYNSKEY	DATE 1-16-98
CHKR.	
ENGRG. K. RYAN	
MFG.	
APPD.	
DFTG. SUPV. E.D. MATTY	

<b>BOMBARDIER</b>		
TITLE WAYSIDE SYSTEM SCHEMATIC		
GEORGE BUSH INTERCONTINENTAL AIRPORT-HOUSTON		
DIMENSIONS IN INCHES		
SIZE D	DWG. NO. 5D81332	REV. 9
SCALE NONE	WT.	SHEET 125

PROPRIETARY INFORMATION - SEE SHEET 1

AutoCAD



THIS SHEET INTENTIONALLY LEFT BLANK

PROPRIETARY INFORMATION - SEE SHEET 1

AutoCAD

GEOMETRIC CHARACTERISTIC SYMBOLS	
FLATNESS	▭
STRAIGHTNESS	—
ROUNDNESS (CIRCULARITY)	○
CYLINDRICITY	∅
PROFILE OF ANY LINE	△
PROFILE OF ANY SURFACE	△
PARALLELISM	∥
PERPENDICULARITY (SQUARENESS)	⊥
ANGULARITY	∠
RUNOUT	↺
TRUE POSITION	⊕
CONCENTRICITY	⊗
SYMMETRY	≡
MAXIMUM MATERIAL CONDITION (MMC)	Ⓜ
REGARDLESS OF FEATURE SIZE	Ⓟ

DFTM.	J. LYNSKEY	DATE	1-16-98
CHKR.			
ENGRG.	K. RYAN		
MFG.			
APPD.			
DFTG. SUPV.	E.D. MATTY		

<b>BOMBARDIER</b>			
TITLE WAYSIDE SYSTEM SCHEMATIC			
GEORGE BUSH INTERCONTINENTAL AIRPORT-HOUSTON			
DIMENSIONS IN INCHES			
SIZE	D	DWG. NO.	5D81332
SCALE	NONE	WT.	
SHEET	126	REV.	9

THIS SHEET INTENTIONALLY LEFT BLANK

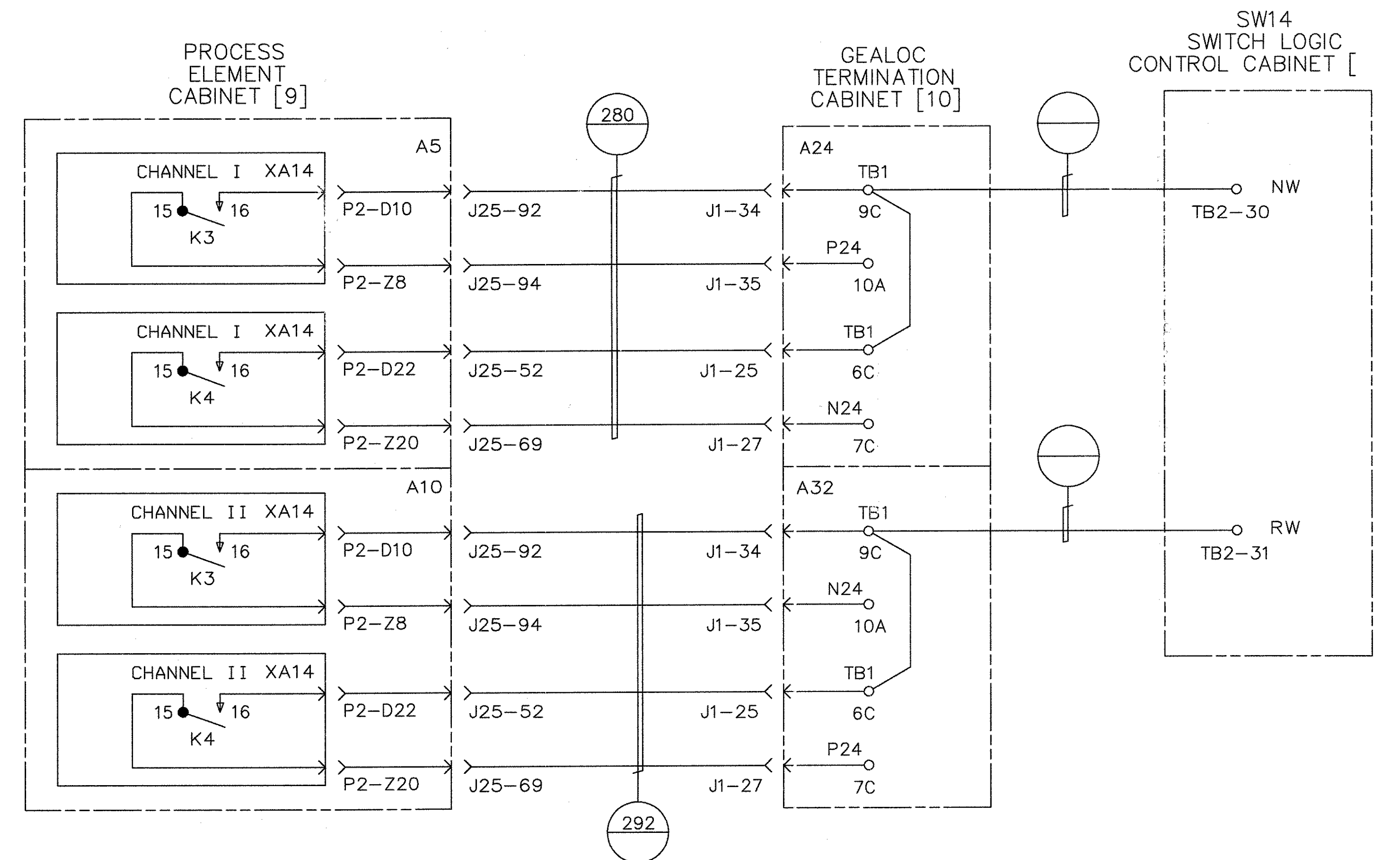
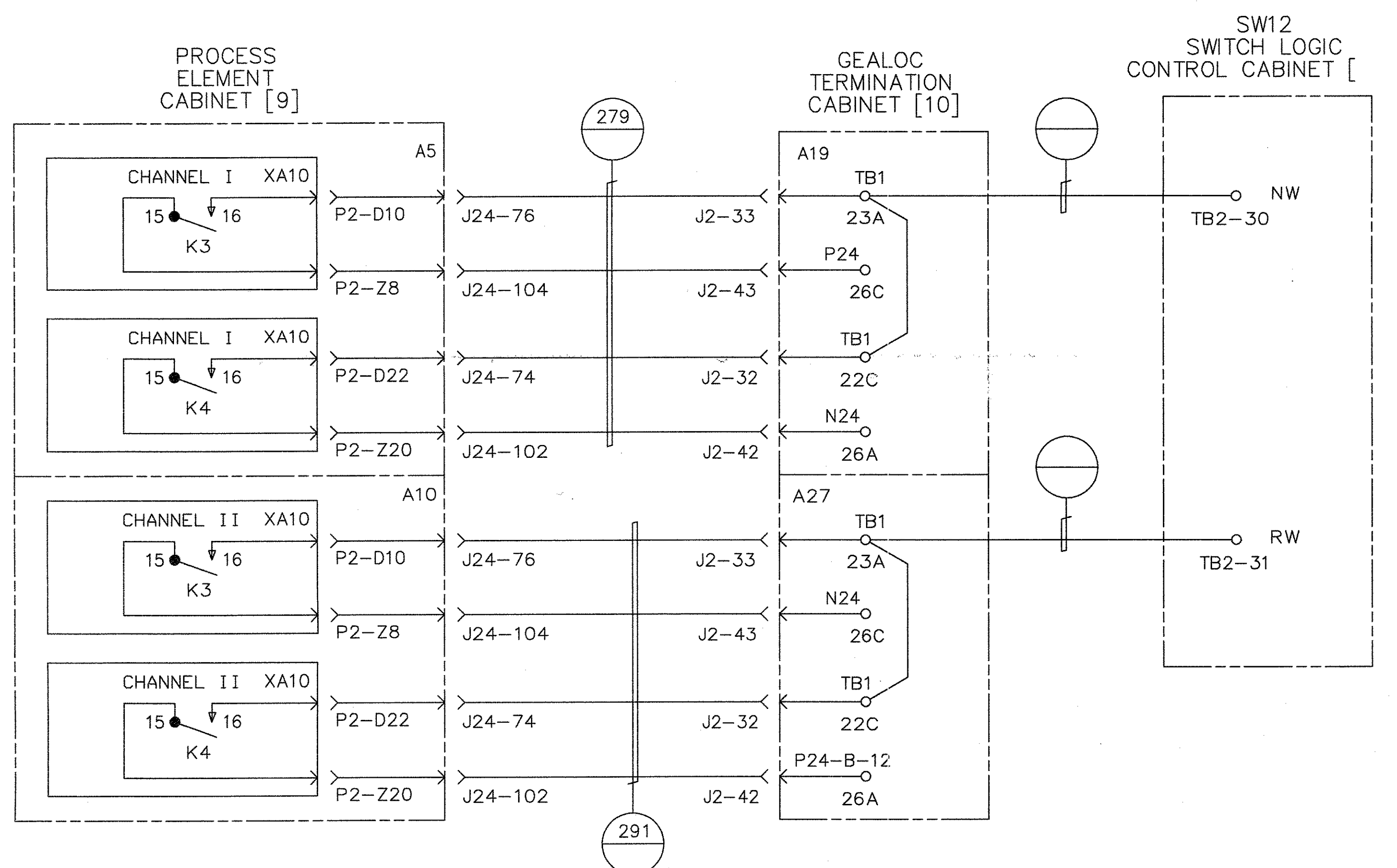
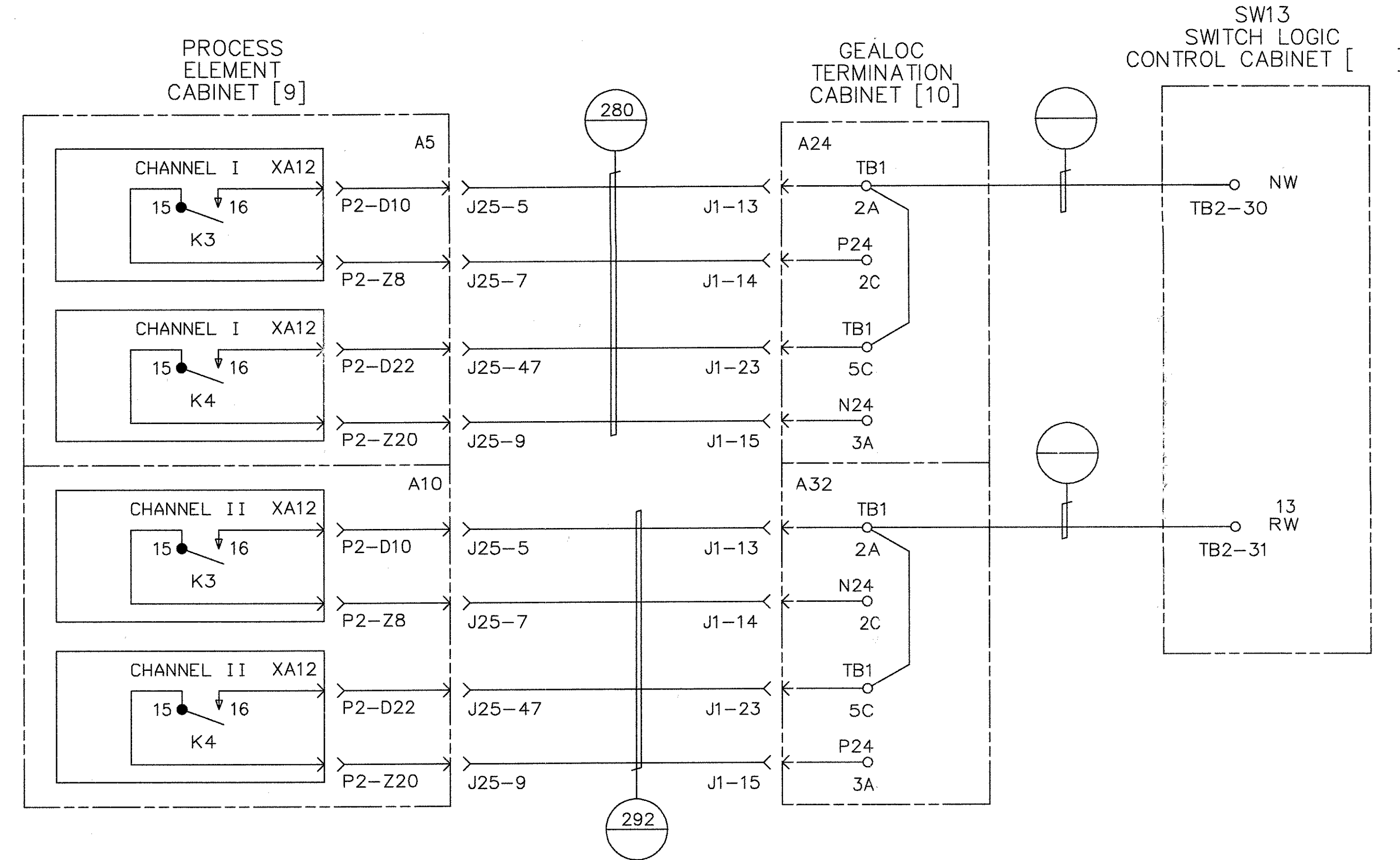
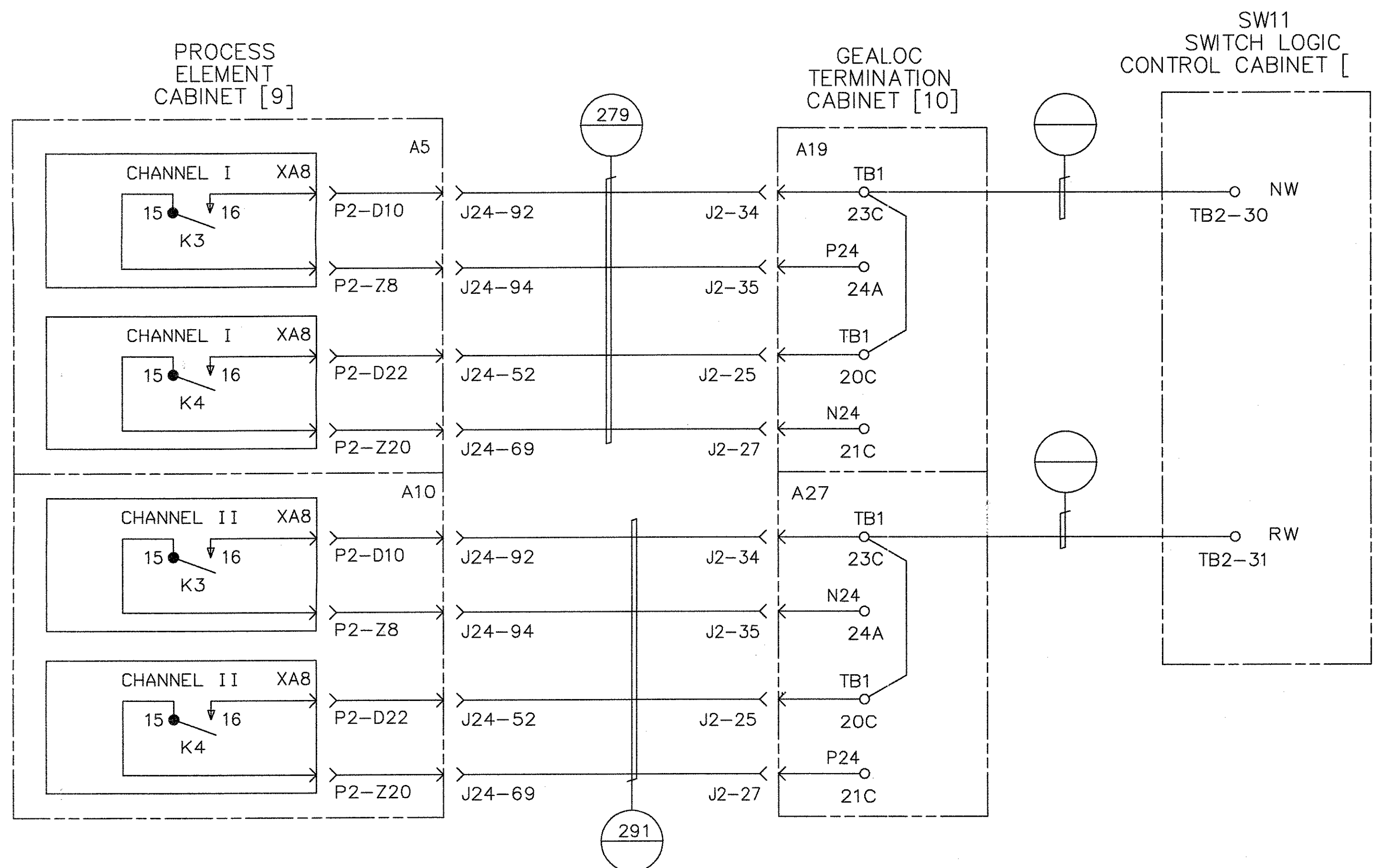
GEOMETRIC CHARACTERISTIC SYMBOLS	
FLATNESS	
STRAIGHTNESS	
ROUNDNESS (CIRCULARITY)	
CYLINDRICITY	
PROFILE OF ANY LINE	
PROFILE OF ANY SURFACE	
PARALLELISM	
PERPENDICULARITY (SQUARENESS)	
ANGULARITY	
RUNOUT	
TRUE POSITION	
CONCENTRICITY	
SYMMETRY	
MAXIMUM MATERIAL CONDITION (MMC)	
REGARDLESS OF FEATURE SIZE	

DFTM.	DATE
J. LYNSKEY	1-16-98
CHKR.	
ENGRG.	
K. RYAN	
MFG.	
APPD.	
DFTG. SUPV.	
E.D. MATTY	

BOMBARDIER		
TITLE		
WAYSIDE SYSTEM SCHEMATIC		
GEORGE BUSH INTERCONTINENTAL AIRPORT-HOUSTON		
DIMENSIONS IN INCHES		
SIZE	DWG. NO.	REV.
D	5D81332	9
SCALE NONE	WT.	SHEET 127

PROPRIETARY INFORMATION - SEE SHEET 1

AutoCAD



FUTURE X01  
SWITCH GEALOC OUTPUTS  
SW11, 12, 13, 14

PROPRIETARY INFORMATION - SEE SHEET 1

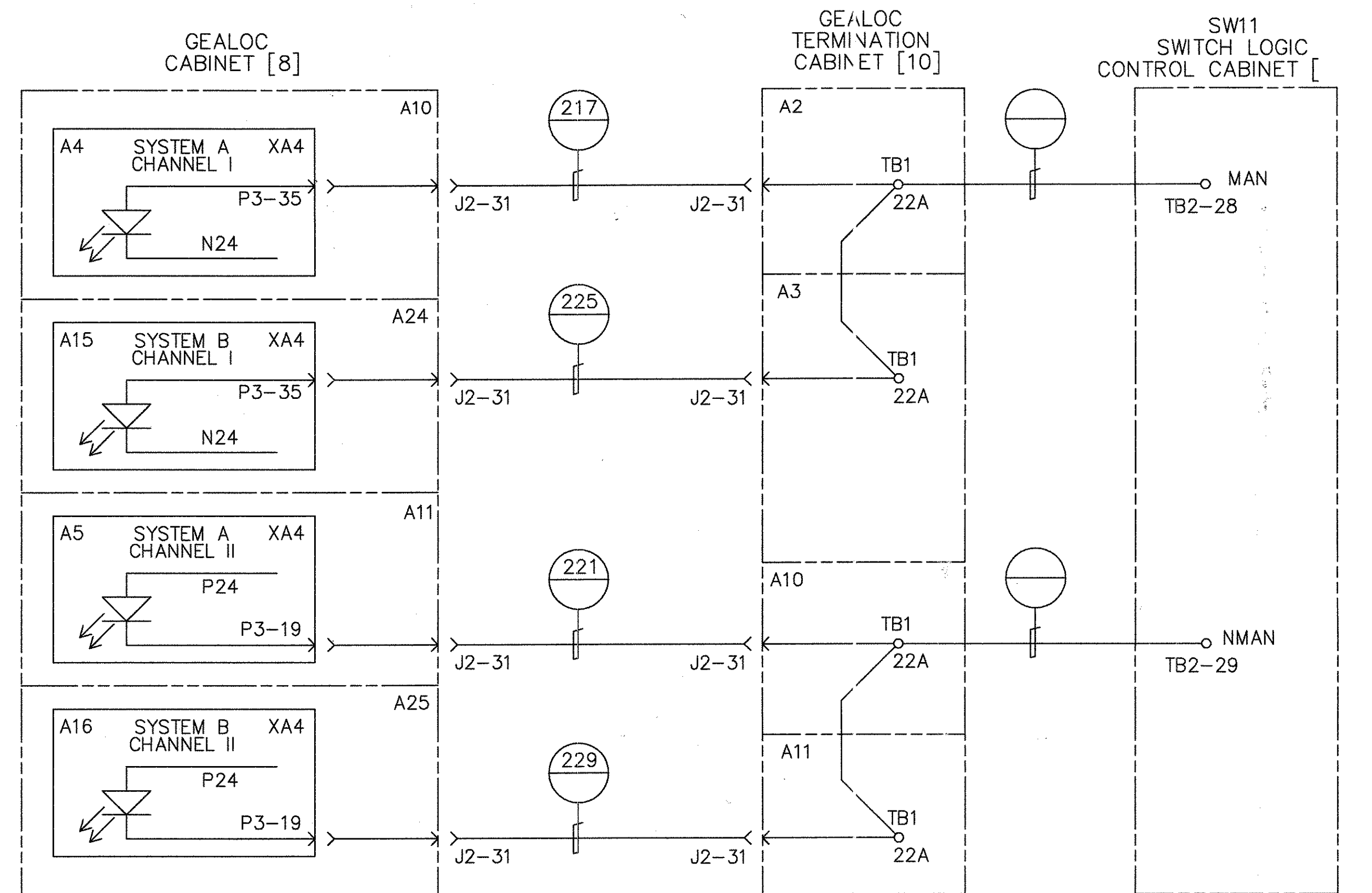
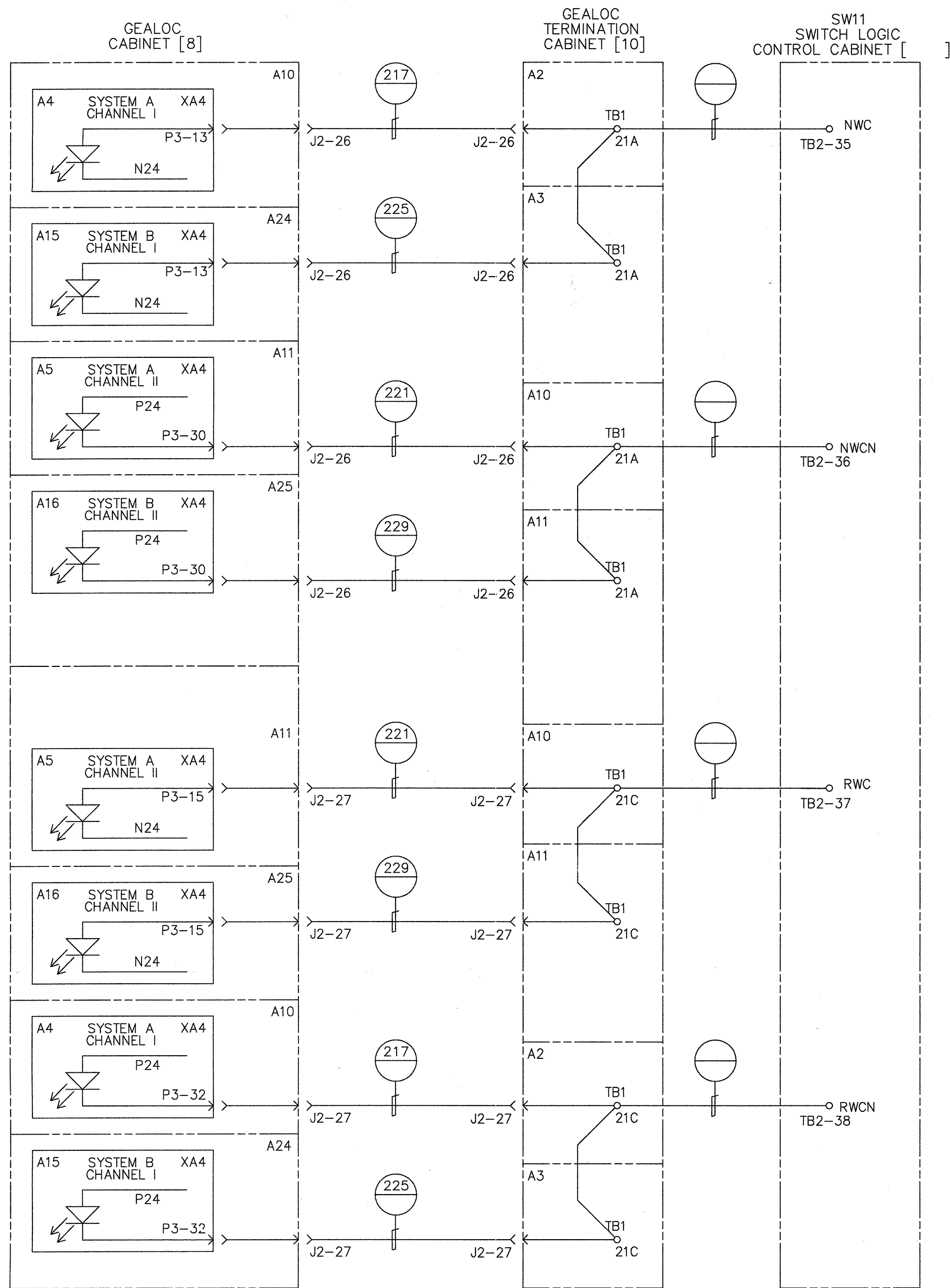
AutoCAD

GEOMETRIC CHARACTERISTIC SYMBOLS	
FLATNESS	▭
STRAIGHTNESS	—
ROUNDNESS (CIRCULARITY)	○
CYLINDRICITY	⊘
PROFILE OF ANY LINE	⌒
PROFILE OF ANY SURFACE	⌒
PARALLELISM	∥
PERPENDICULARITY (SQUARENESS)	⊥
ANGULARITY	∠
RUNOUT	⊖
TRUE POSITION	⊕
CONCENTRICITY	⊙
SYMMETRY	⊞
MAXIMUM MATERIAL CONDITION (MMC)	Ⓜ
REGARDLESS OF FEATURE SIZE	Ⓛ

DFTM.	J. LYSKEY	DATE	1-19-98
CHKR.			
ENGR.	K. RYAN		
MFG.			
APPD.			
DFTG. SUPV.	E.D. MATTY		

<b>BOMBARDIER</b>	
TITLE WAYSIDE SYSTEM SCHEMATIC	
GEORGE BUSH INTERCONTINENTAL AIRPORT-HOUSTON	
DIMENSIONS IN INCHES	
SIZE	D
DWG. NO.	5D81332
REV.	9
SCALE	NONE
WT.	
SHEET	128

© 2005, BOMBARDIER INC. OR ITS SUBSIDIARIES. ALL RIGHTS RESERVED.



FUTURE SWITCH NO. 11 GEALOC INPUTS

PROPRIETARY INFORMATION - SEE SHEET 1

AutoCAD

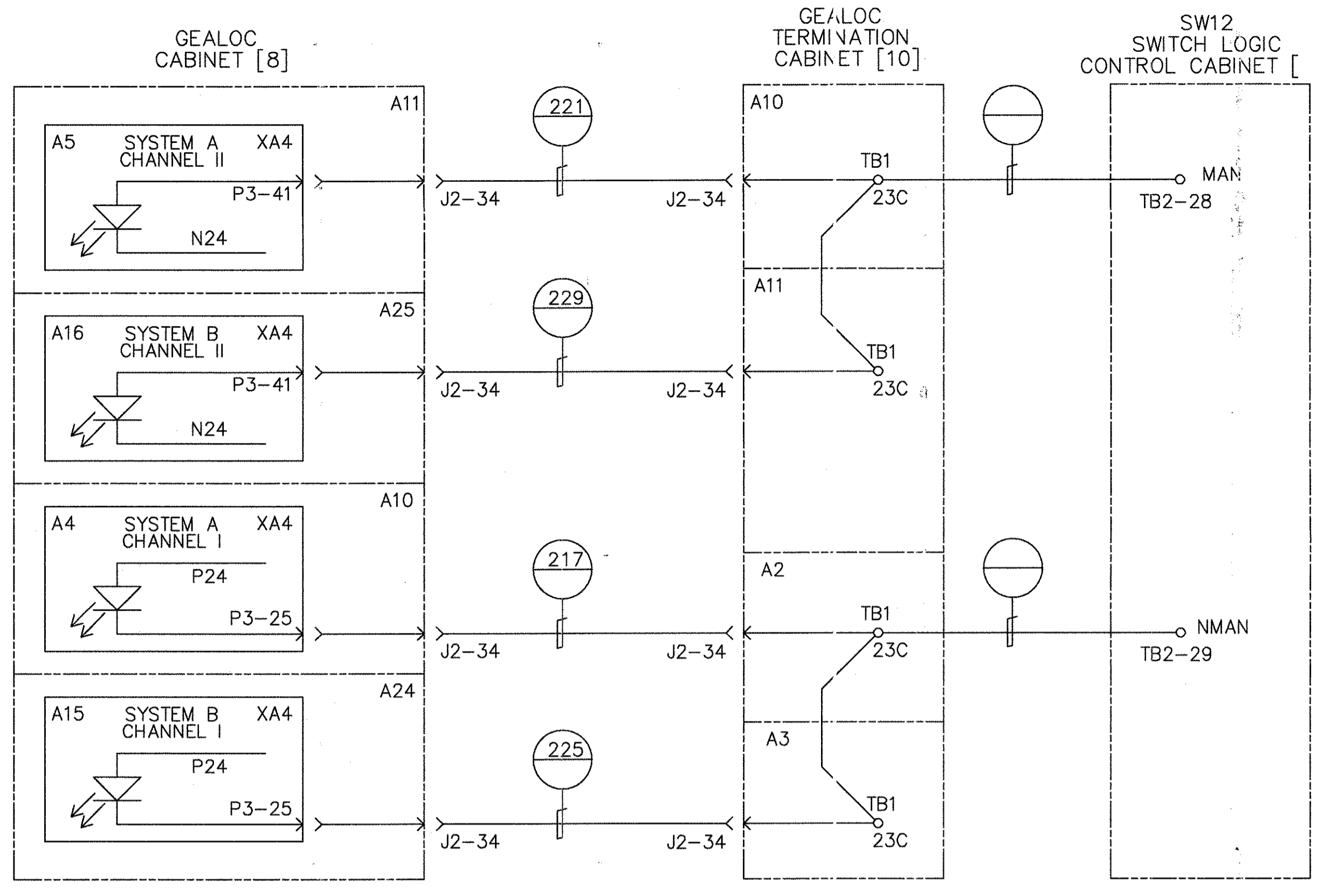
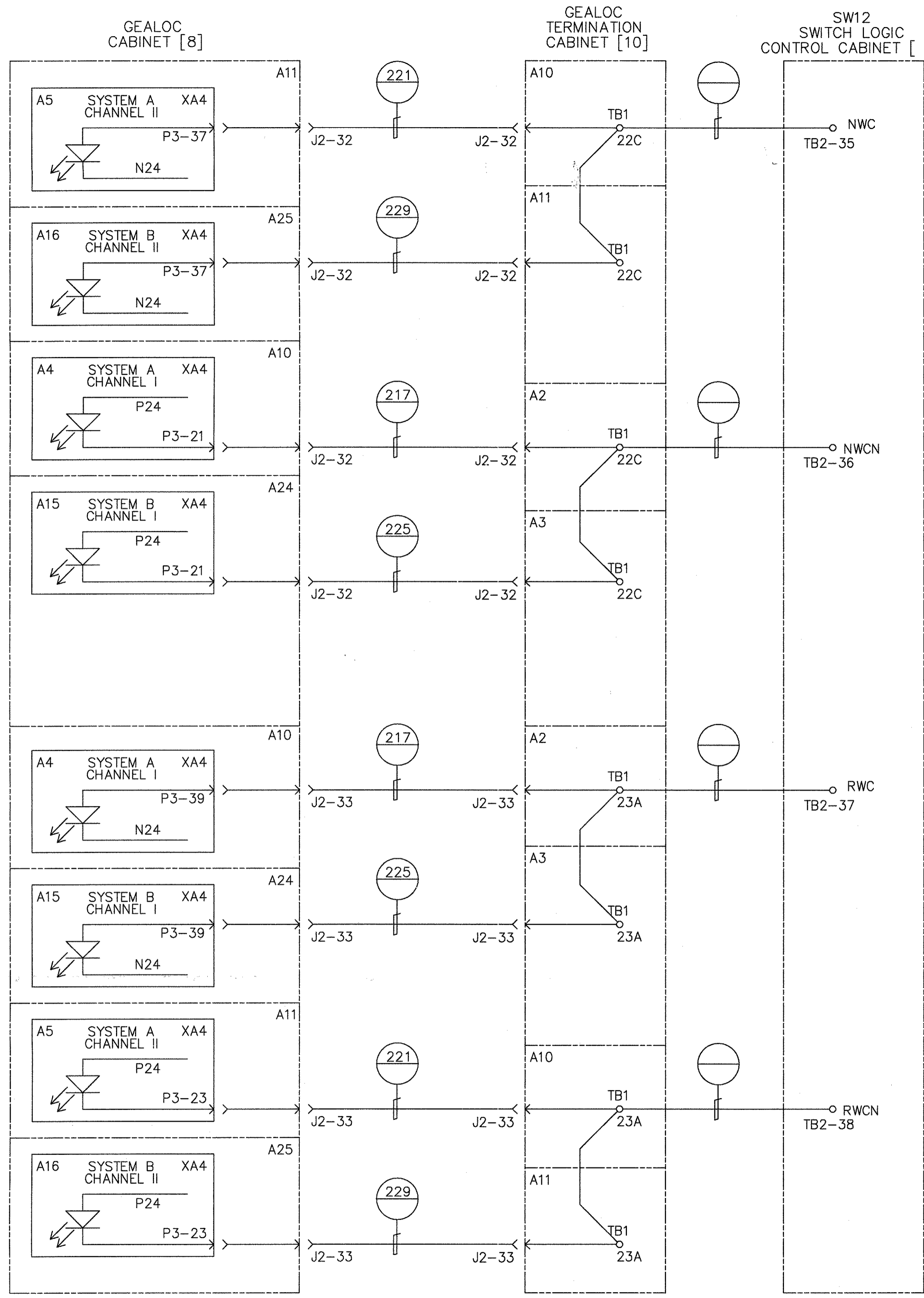
GEOMETRIC CHARACTERISTIC SYMBOLS	
FLATNESS	▭
STRAIGHTNESS	—
ROUNDNESS (CIRCULARITY)	○
CYLINDRICITY	⊘
PROFILE OF ANY LINE	—
PROFILE OF ANY SURFACE	—
PARALLELISM	∥
PERPENDICULARITY (SQUARENESS)	⊥
ANGULARITY	∠
RUNOUT	⊘
TRUE POSITION	⊕
CONCENTRICITY	⊕
SYMMETRY	⊕
MAXIMUM MATERIAL CONDITION (MMC)	Ⓜ
REGARDLESS OF FEATURE SIZE	Ⓜ

DFTM.	J. LYNSKEY	DATE	1-19-98
CHKR.			
ENGR.	K. RYAN		
MFG.			
APPD.			
DFTG. SJPV.	E.D. MATTY		

<b>BOMBARDIER</b>	
TITLE WAYSIDE SYSTEM SCHEMATIC	
GEORGE BUSH INTERCONTINENTAL AIRPORT-HOUSTON	
DIMENSIONS IN INCHES	
SIZE	D
DWG. NO.	5D81332
REV.	9
SCALE	NONE
WT.	
SHEET	129

© 2005, BOMBARDIER INC. OR ITS SUBSIDIARIES. ALL RIGHTS RESERVED.

F  
E  
D  
C  
B



FUTURE SWITCH NO. 12 GEALOC INPUTS

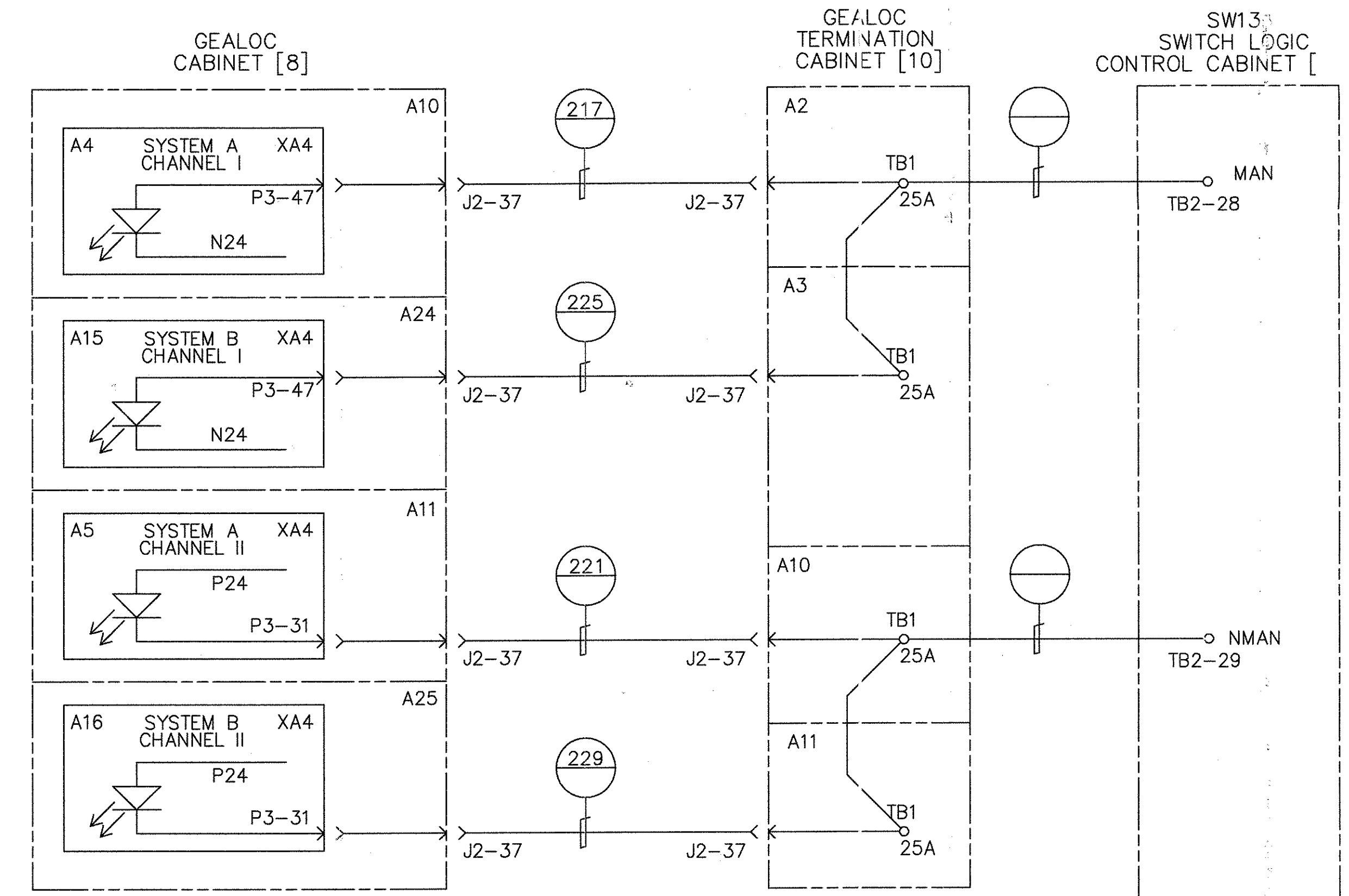
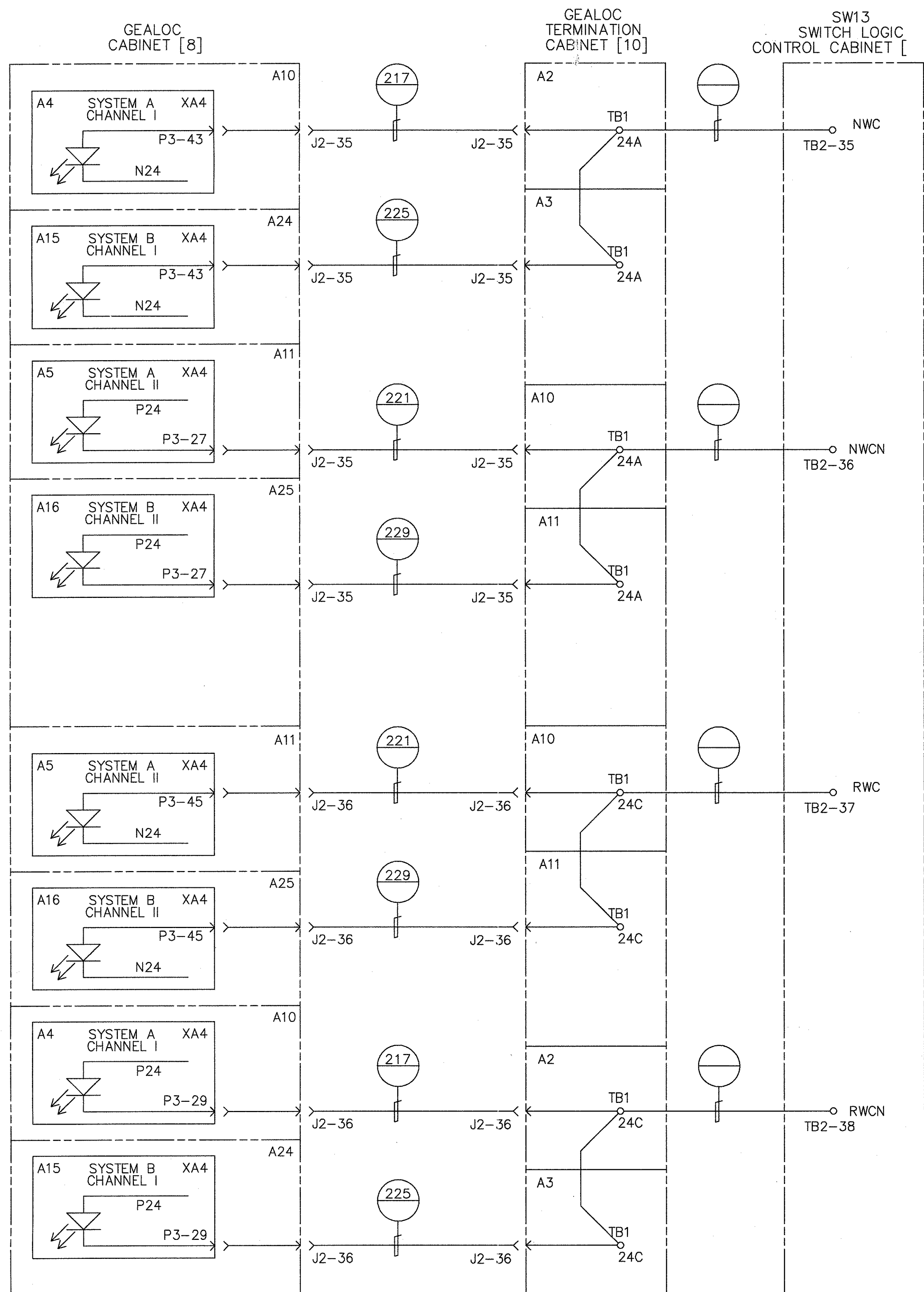
PROPRIETARY INFORMATION - SEE SHEET 1

AutoCAD

GEOMETRIC CHARACTERISTIC SYMBOLS	
FLATNESS	▭
STRAIGHTNESS	—
ROUNDNESS (CIRCULARITY)	○
CYLINDRICITY	⊘
PROFILE OF ANY LINE	⌒
PROFILE OF ANY SURFACE	⌒
PARALLELISM	∥
PERPENDICULARITY (SQUARENESS)	⊥
ANGULARITY	∠
RUNOUT	↻
TRUE POSITION	⊕
CONCENTRICITY	⊙
SYMMETRY	≡
MAXIMUM MATERIAL CONDITION (MMC)	Ⓜ
REGARDLESS OF FEATURE SIZE	Ⓛ

DFTM.	J. LYNSKEY	DATE	1-20-98
CHKR.			
ENGRG.	K. RYAN		
MFG.			
APPD.			
DFTG.	S.JPV.		
	E.D. MATTY		

<b>BOMBARDIER</b>			
TITLE			
WAYSIDE SYSTEM SCHEMATIC			
GEORGE BUSH INTERCONTINENTAL AIRPORT-HOUSTON			
DIMENSIONS IN INCHES			
SIZE	D	DWG. NO.	5D81332
SCALE	NONE	WT.	
SHEET	130	REV.	9

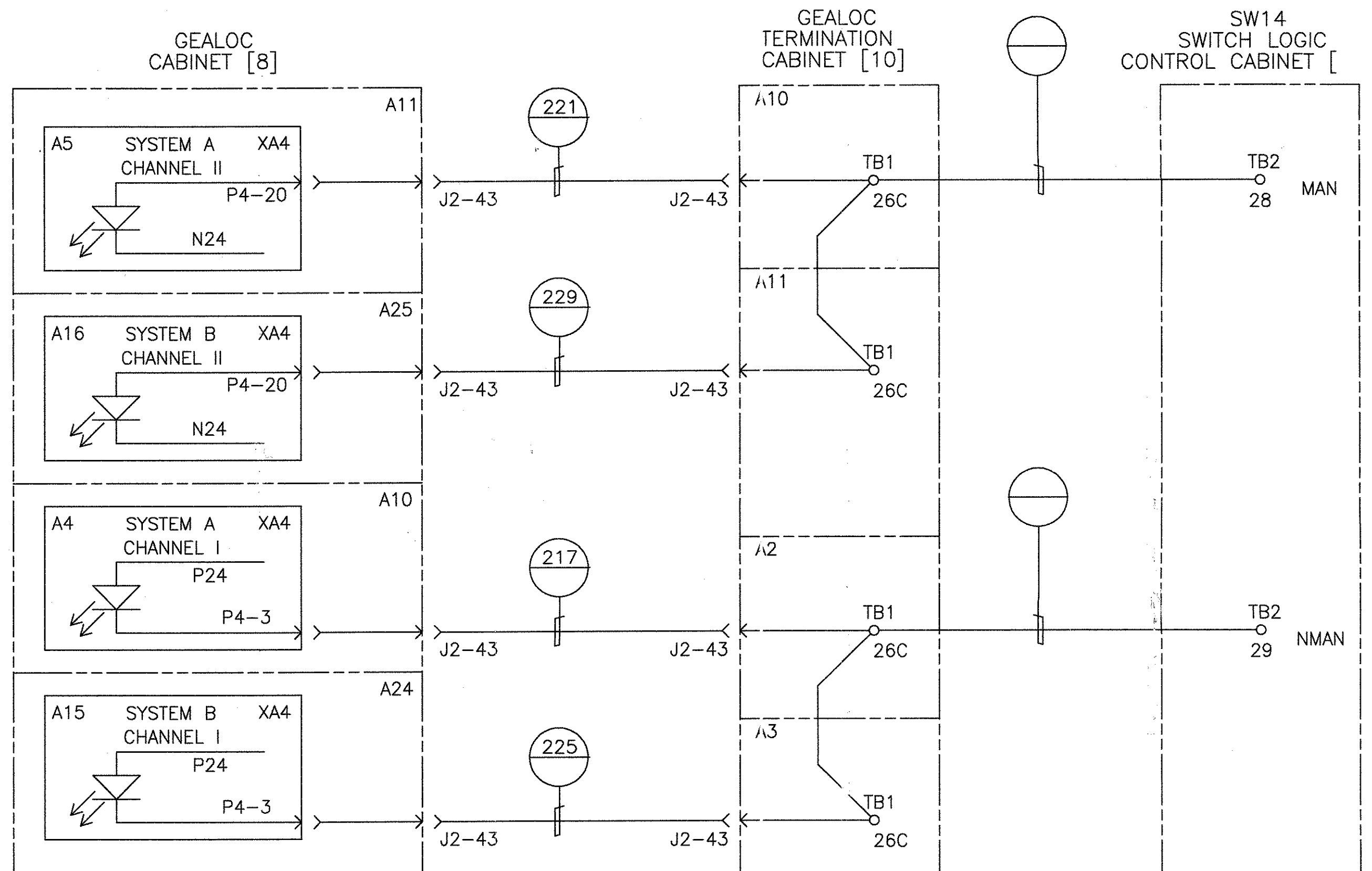
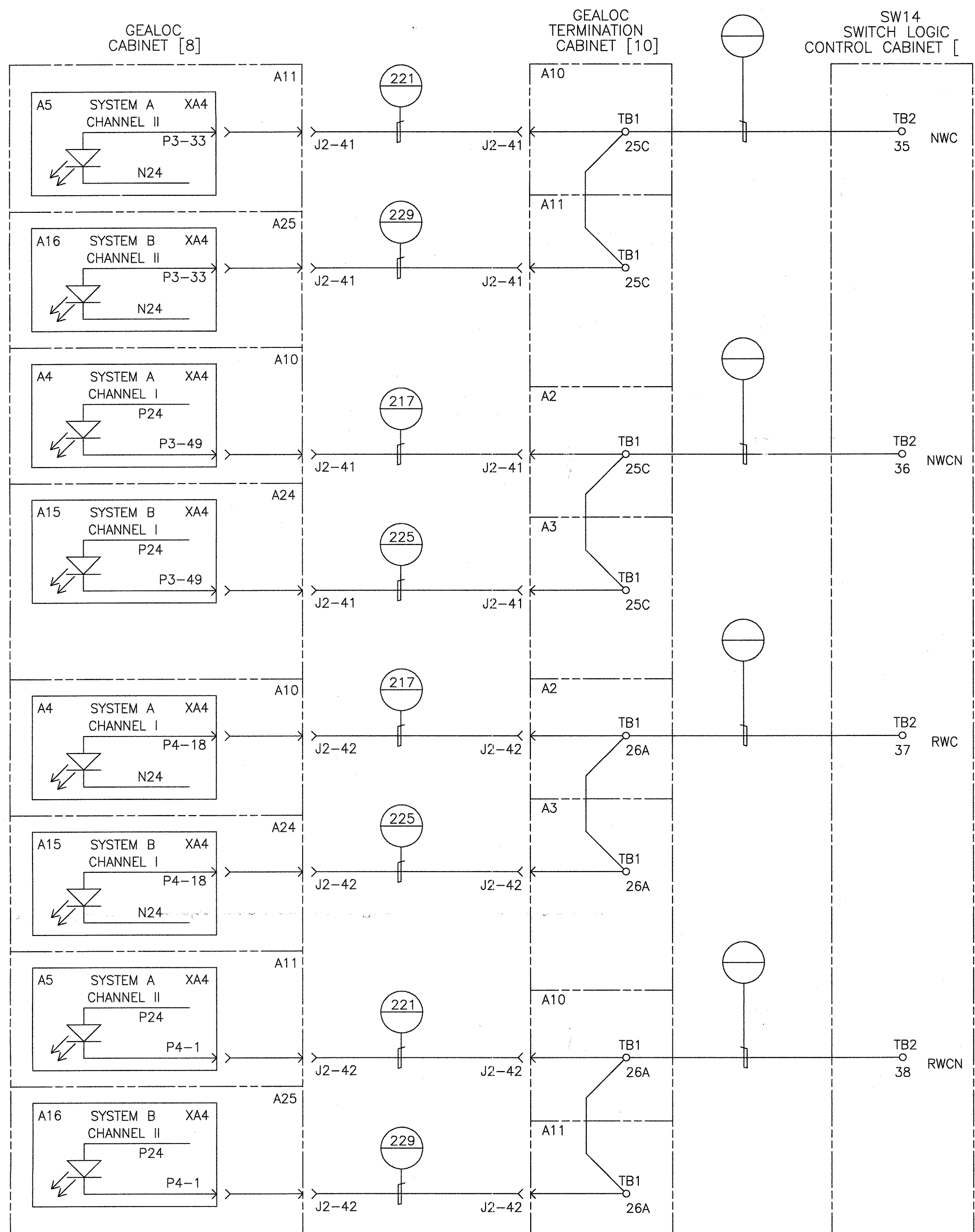


FUTURE SWITCH NO. 13 GEALOC INPUTS

<b>GEOMETRIC CHARACTERISTIC SYMBOLS</b> FLATNESS STRAIGHTNESS ROUNDNESS (CIRCULARITY) CYLINDRICITY PROFILE OF ANY LINE PROFILE OF ANY SURFACE PARALLELISM PERPENDICULARITY (SQUARENESS) ANGULARITY RUNOUT TRUE POSITION CONCENTRICITY SYMMETRY MAXIMUM MATERIAL CONDITION (MMC) REGARDLESS OF FEATURE SIZE		DFTM. J. LYSKEY CHKD. ENGRG. K. RYAN MFG. APPD. DFTG. SUPV. E.D. MATTY	DATE 1-20-98 <b>BOMBARDIER</b> TITLE WAYSIDE SYSTEM SCHEMATIC GEORGE BUSH INTERCONTINENTAL AIRPORT-HOUSTON DIMENSIONS IN INCHES SIZE D DWG. NO. 5D81332 REV. 9 SCALE NONE WT. SHEET 131
---	--	---	--

PROPRIETARY INFORMATION - SEE SHEET 1

AutoCAD



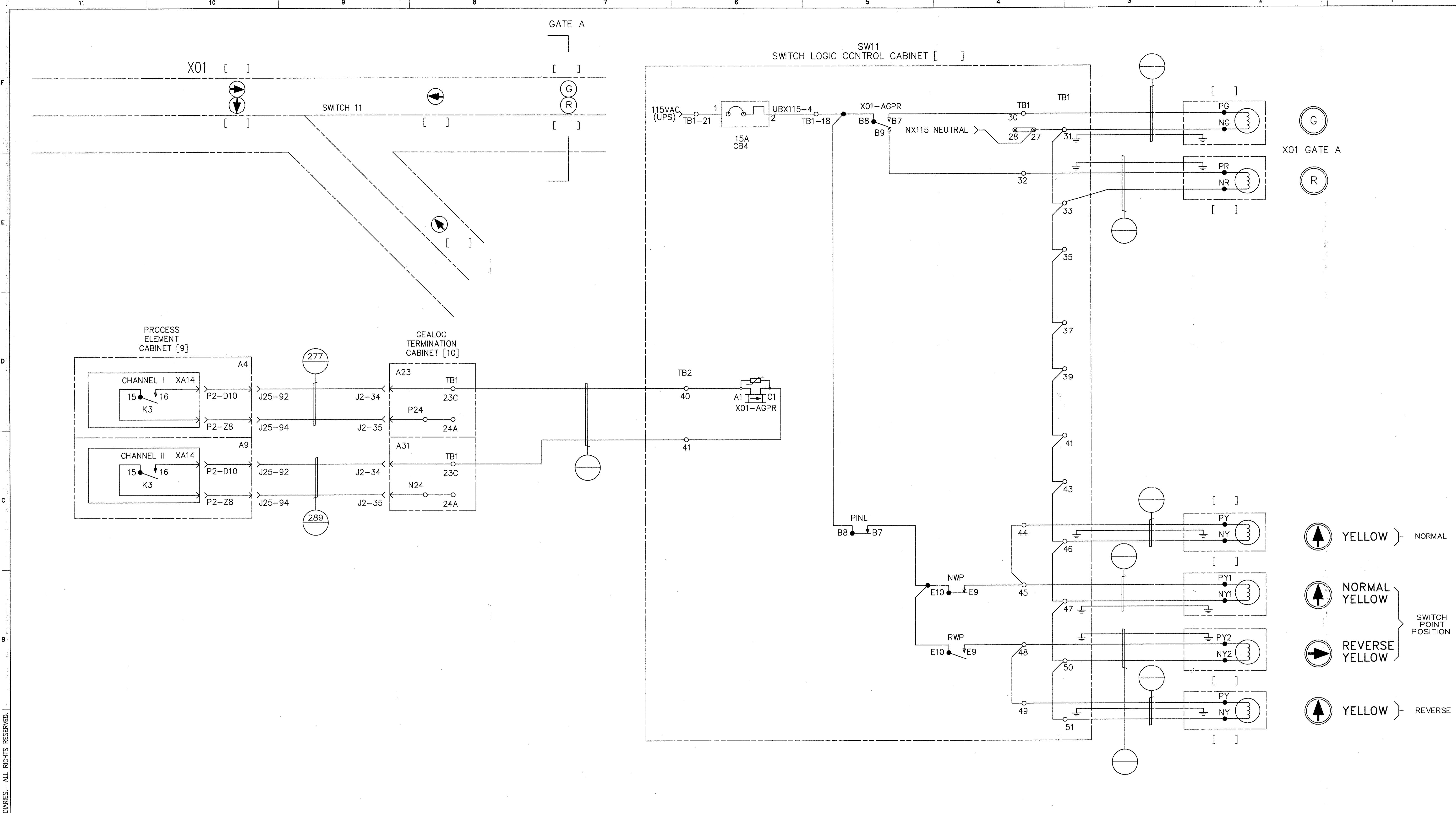
FUTURE SWITCH NO. 14 GEALOC INPUTS

<b>GEOMETRIC CHARACTERISTIC SYMBOLS</b> FLATNESS STRAIGHTNESS ROUNDNESS (CIRCULARITY) CYLINDRICITY PROFILE OF ANY LINE PROFILE OF ANY SURFACE PARALLELISM PERPENDICULARITY (SQUARENESS) ANGULARITY RUNOUT TRUE POSITION CONCENTRICITY SYMMETRY MAXIMUM MATERIAL CONDITION (MMC) REGARDLESS OF FEATURE SIZE		DFTM. J. LYNSKEY CHKR. ENGRG. K. RYAN MFG. APPD. DFTG. SUPV. E.D. MATTY	DATE 1-20-98 <b>BOMBARDIER</b> TITLE WAYSIDE SYSTEM SCHEMATIC GEORGE BUSH INTERCONTINENTAL AIRPORT-HOUSTON DIMENSIONS IN INCHES SIZE D SCALE NONE DWG. NO. 5D81332 REV. 9 SHEET 132
---	--	--	--

PROPRIETARY INFORMATION - SEE SHEET 1

AutoCAD





FUTURE TRAFFIC SIGNAL SWITCH NO. 11  
AND GATE A

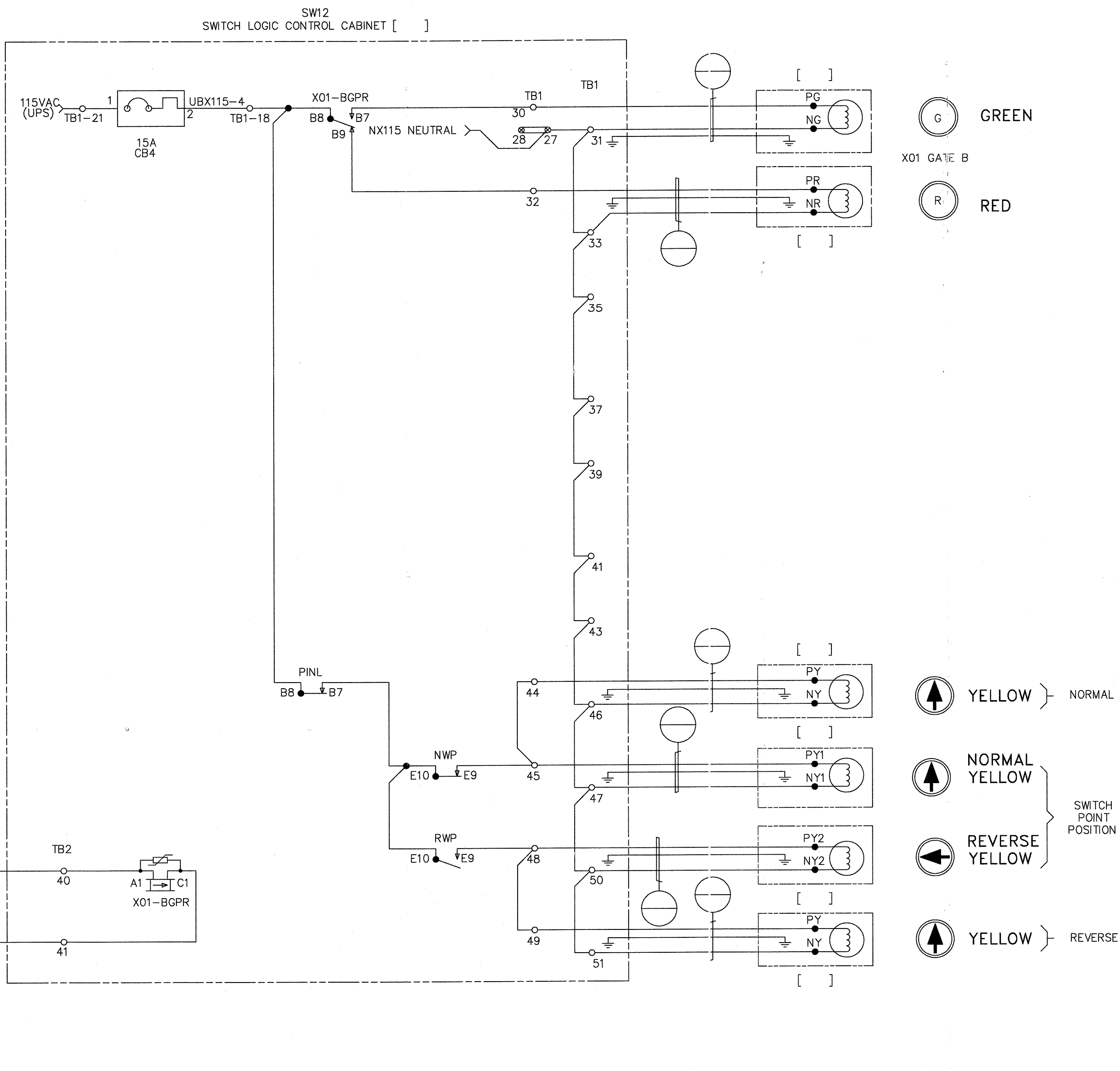
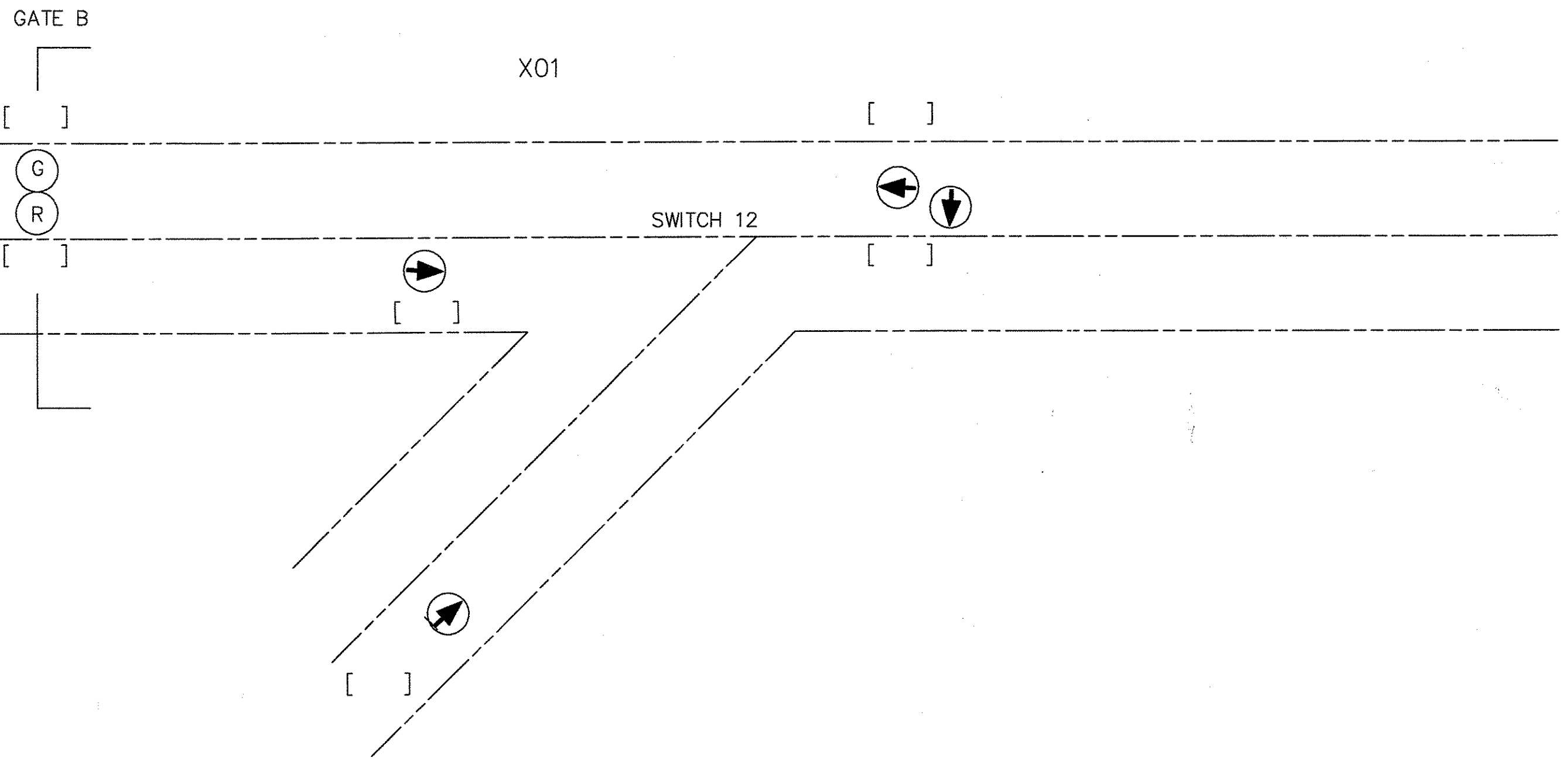
PROPRIETARY INFORMATION - SEE SHEET 1

AutoCAD

GEOMETRIC CHARACTERISTIC SYMBOLS	
FLATNESS	[Symbol]
STRAIGHTNESS	[Symbol]
ROUNDNESS (CIRCULARITY)	[Symbol]
CYLINDRICITY	[Symbol]
PROFILE OF ANY LINE	[Symbol]
PROFILE OF ANY SURFACE	[Symbol]
PARALLELISM	[Symbol]
PERPENDICULARITY (SQUARENESS)	[Symbol]
ANGULARITY	[Symbol]
RUNOUT	[Symbol]
TRUE POSITION	[Symbol]
CONCENTRICITY	[Symbol]
SYMMETRY	[Symbol]
MAXIMUM MATERIAL CONDITION (MMC)	[Symbol]
REGARDLESS OF FEATURE SIZE	[Symbol]

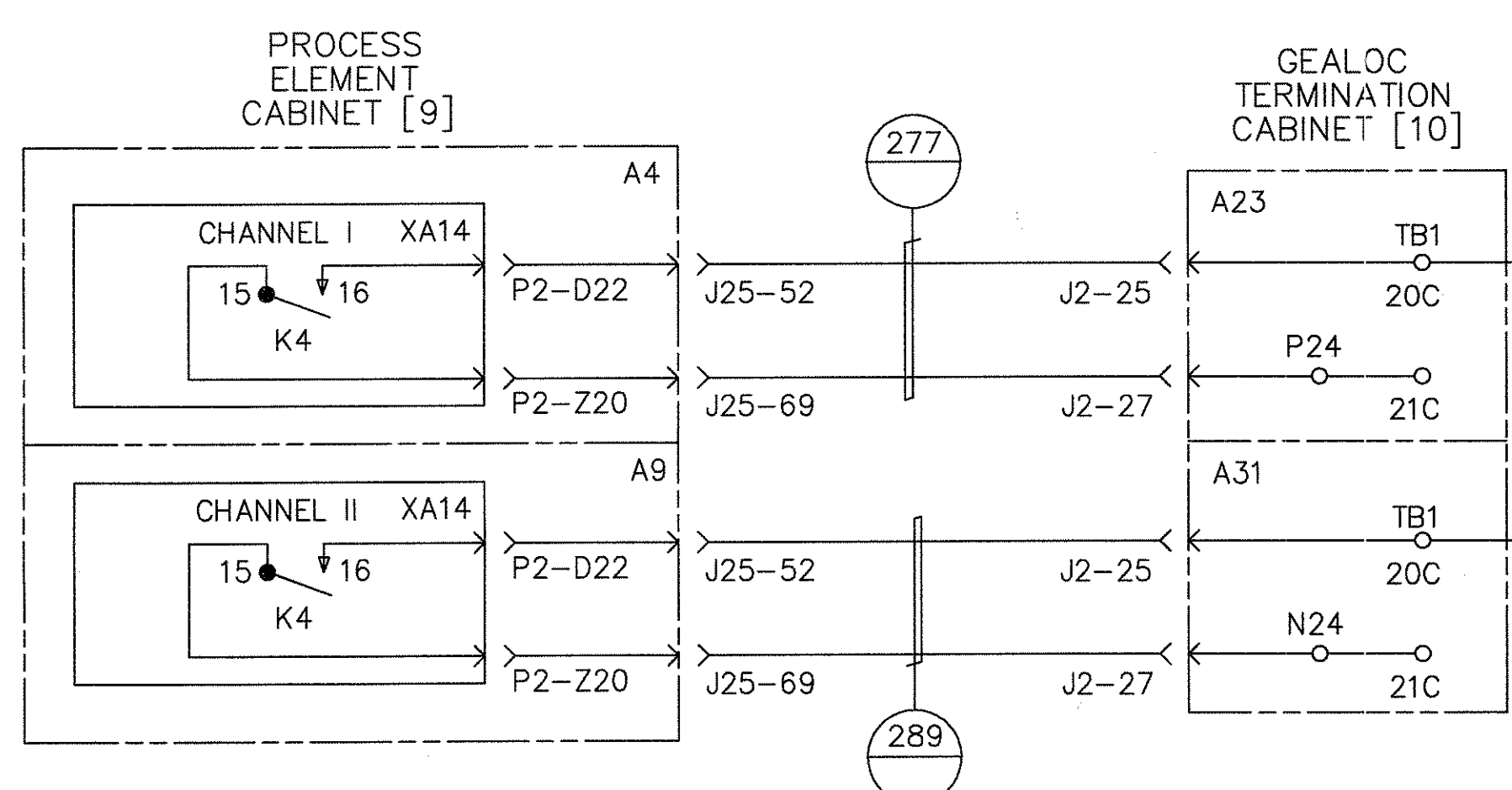
DFTM.	J. LYNSKEY	DATE	1-19-98
CHKR.			
ENGRG.	K. RYAN		
MFG.			
APPD.			
DFTG. SUPV.	E.D. MATTY		

<b>BOMBARDIER</b>	
TITLE	
WAYSIDE SYSTEM SCHEMATIC	
GEORGE BUSH INTERCONTINENTAL AIRPORT-HOUSTON	
DIMENSIONS IN INCHES	
SIZE	D
DWG. NO.	5D81332
REV.	9
SCALE	NONE
WT.	
SHEET	133



G GREEN  
 X01 GATE B  
 R RED

YELLOW } NORMAL  
 NORMAL YELLOW } SWITCH POINT POSITION  
 REVERSE YELLOW }  
 YELLOW } REVERSE



FUTURE TRAFFIC SIGNAL SWITCH NO. 12  
 AND GATE B

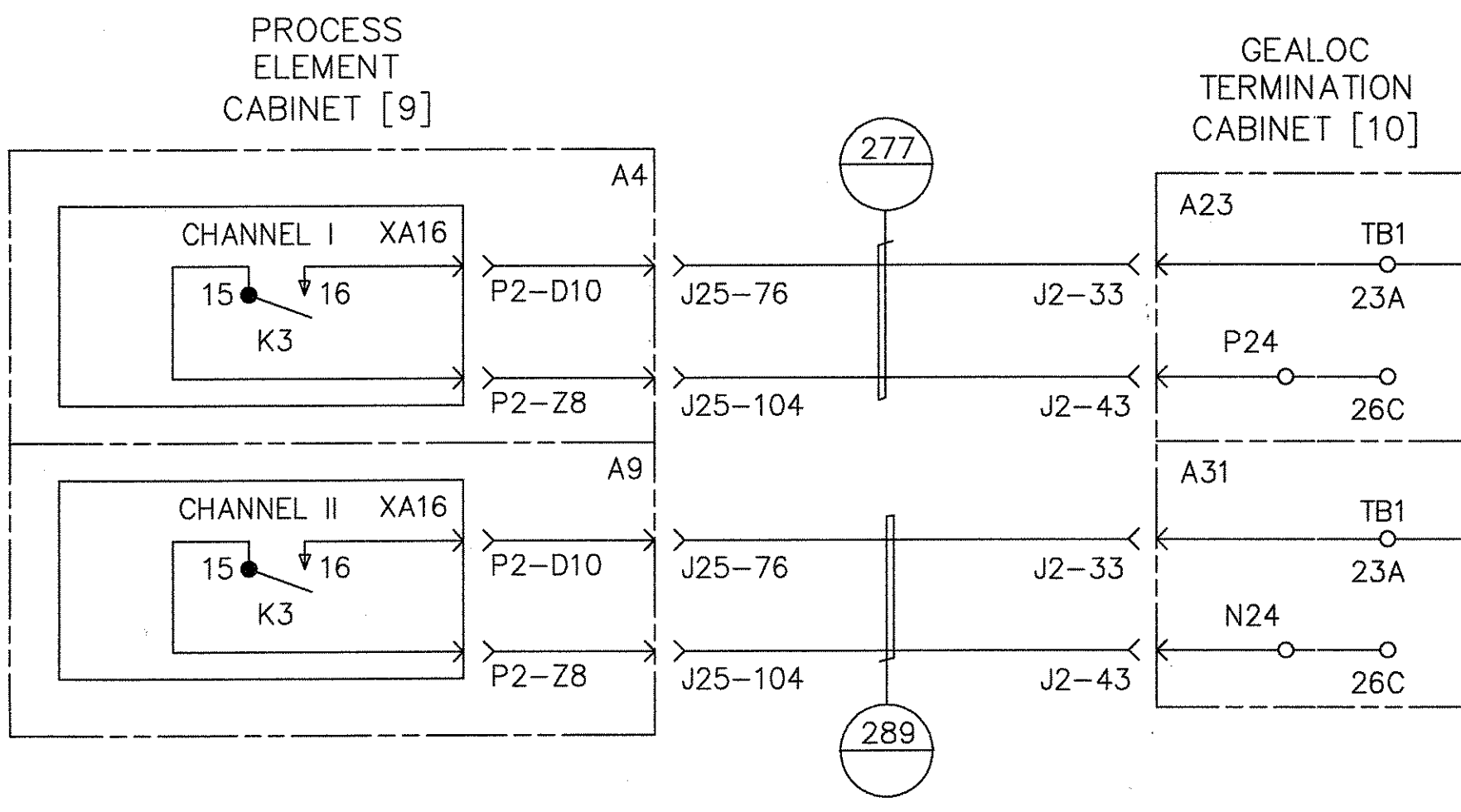
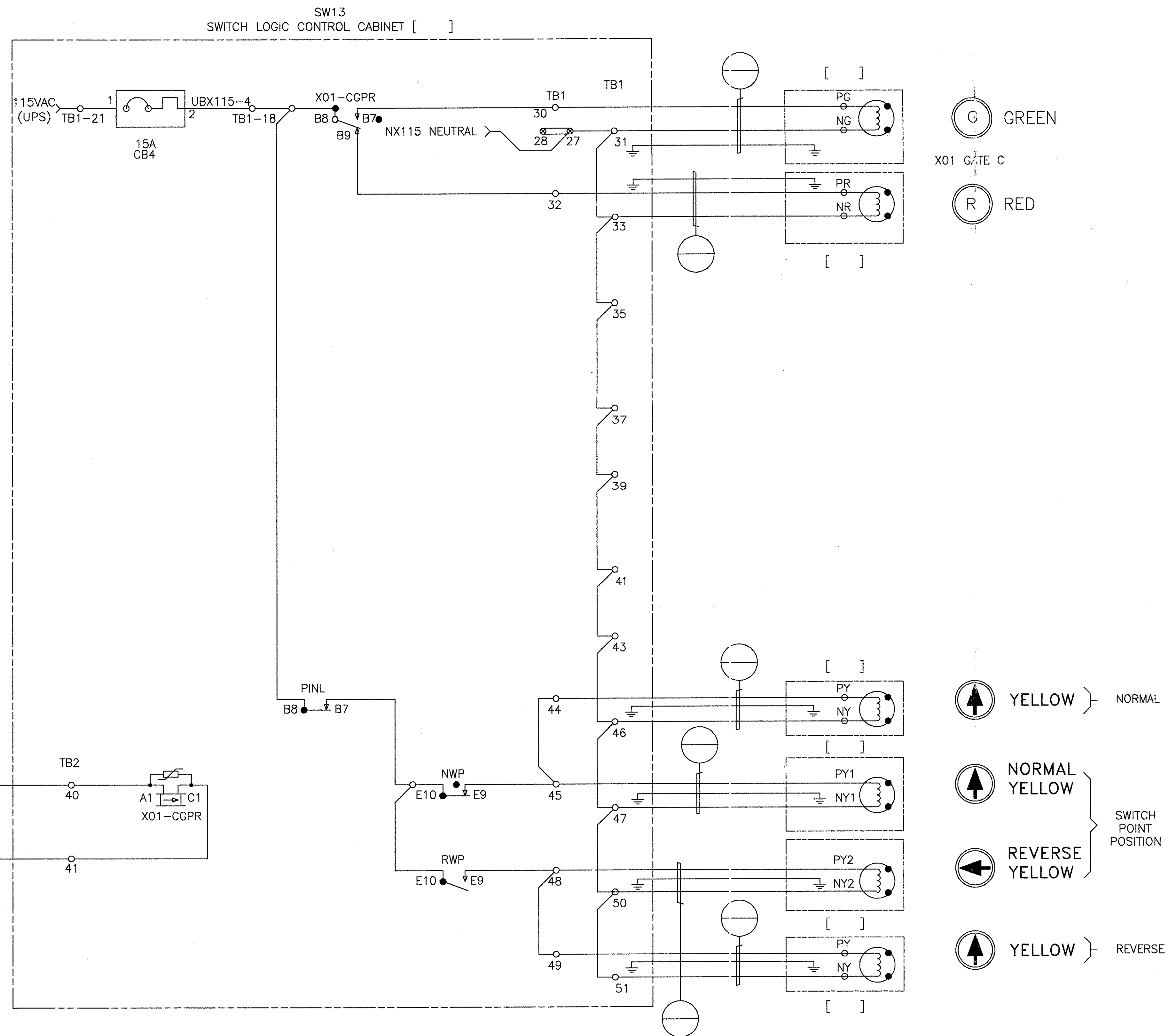
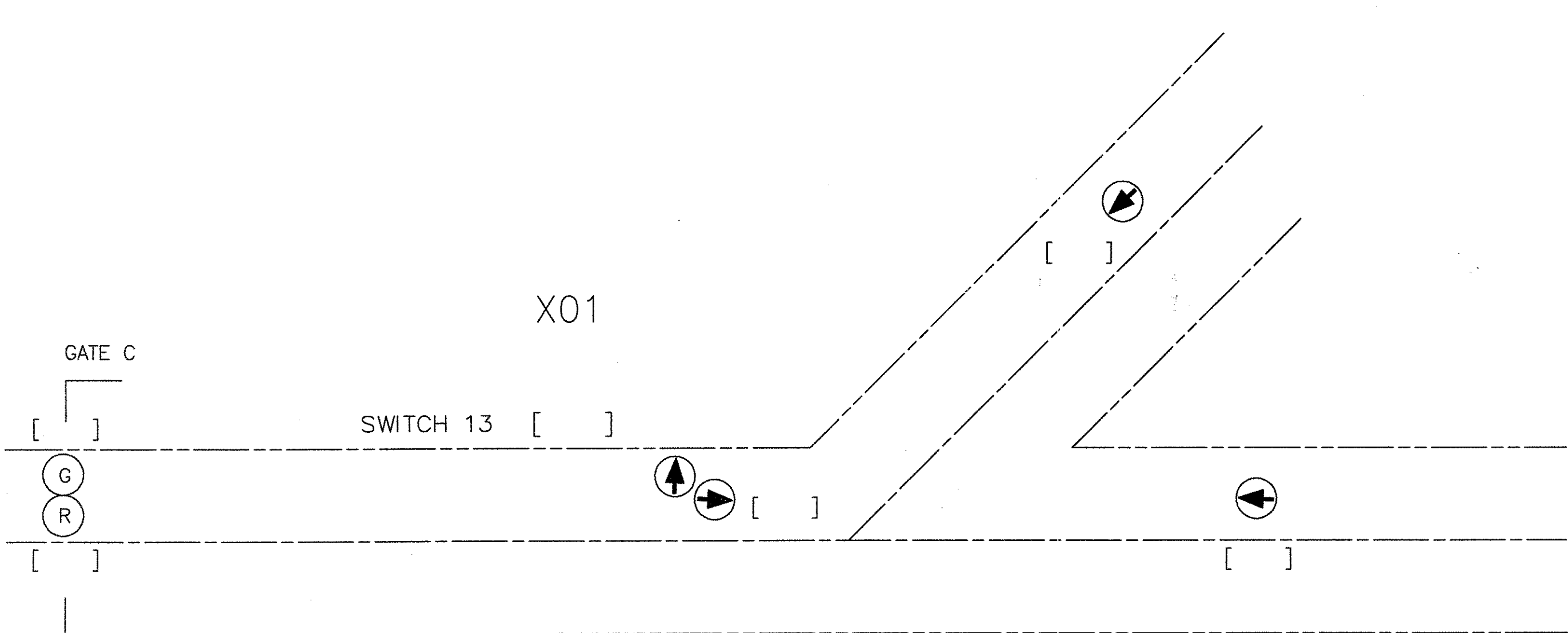
PROPRIETARY INFORMATION - SEE SHEET 1

AutoCAD

GEOMETRIC CHARACTERISTIC SYMBOLS	
FLATNESS	▭
STRAIGHTNESS	▭
ROUNDNESS (CIRCULARITY)	○
CYLINDRICITY	○
PROFILE OF ANY LINE	▭
PROFILE OF ANY SURFACE	▭
PARALLELISM	▭
PERPENDICULARITY (SQUARENESS)	⊥
ANGULARITY	∠
RUNOUT	⊖
TRUE POSITION	⊕
CONCENTRICITY	⊕
SYMMETRY	⊕
MAXIMUM MATERIAL CONDITION (MMC)	Ⓜ
REGARDLESS OF FEATURE SIZE	Ⓜ

DFTM. CHKR.	J. LYNKEY	DATE 1-19-98
ENGRG. MFG.	K. RYAN	
APPD.		
DFTG. \$UPV. E.D. MATTY		

<b>BOMBARDIER</b>	
TITLE WAYSIDE SYSTEM SCHEMATIC	
GEORGE BUSH INTERCONTINENTAL AIRPORT-HOUSTON	
DIMENSIONS IN INCHES	
SIZE D	DWG. NO. 5D81332
SCALE NONE	WT.
SHEET 134	REV. 9



FUTURE TRAFFIC SIGNAL SWITCH NO. 13  
AND GATE C

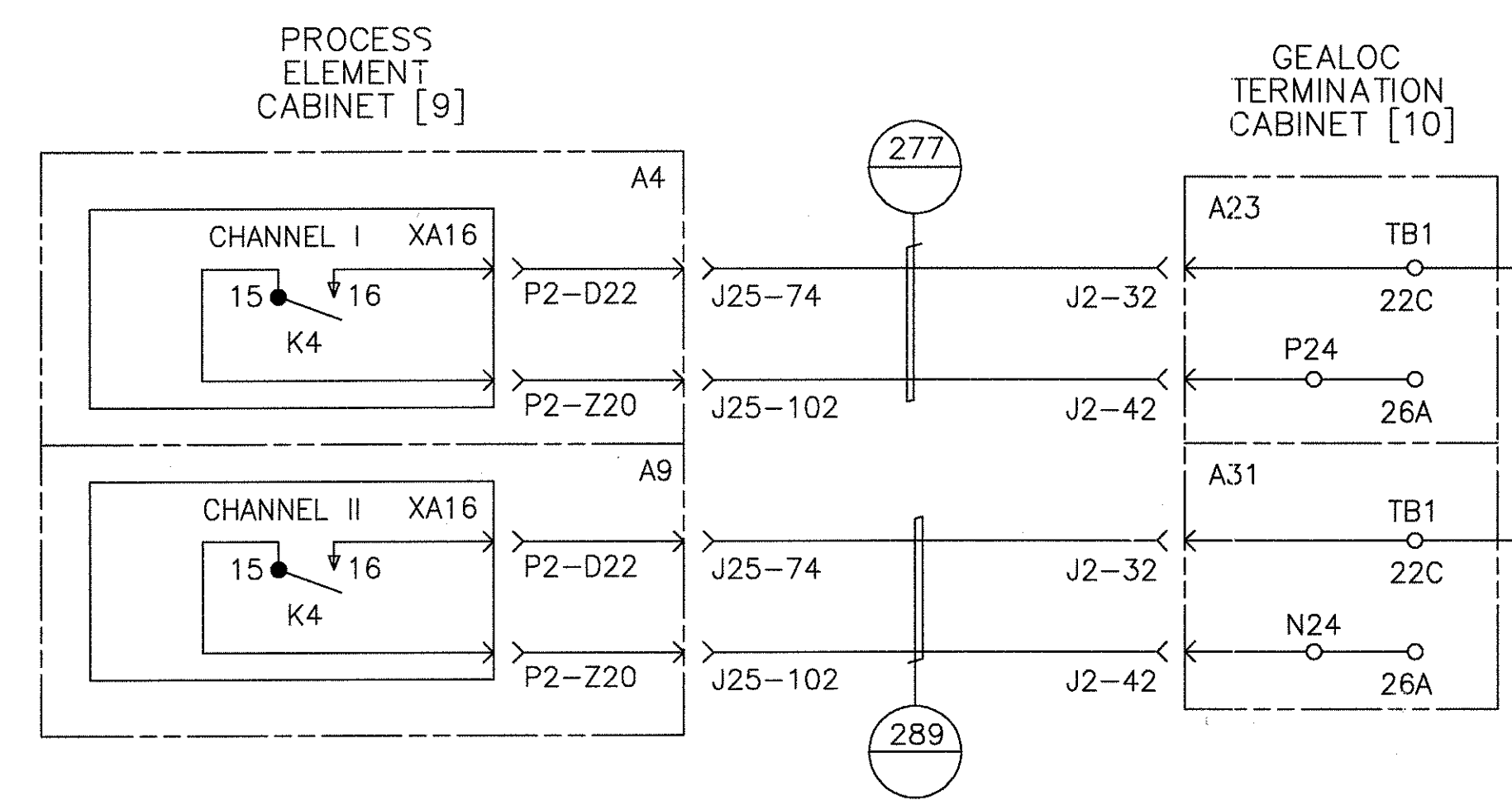
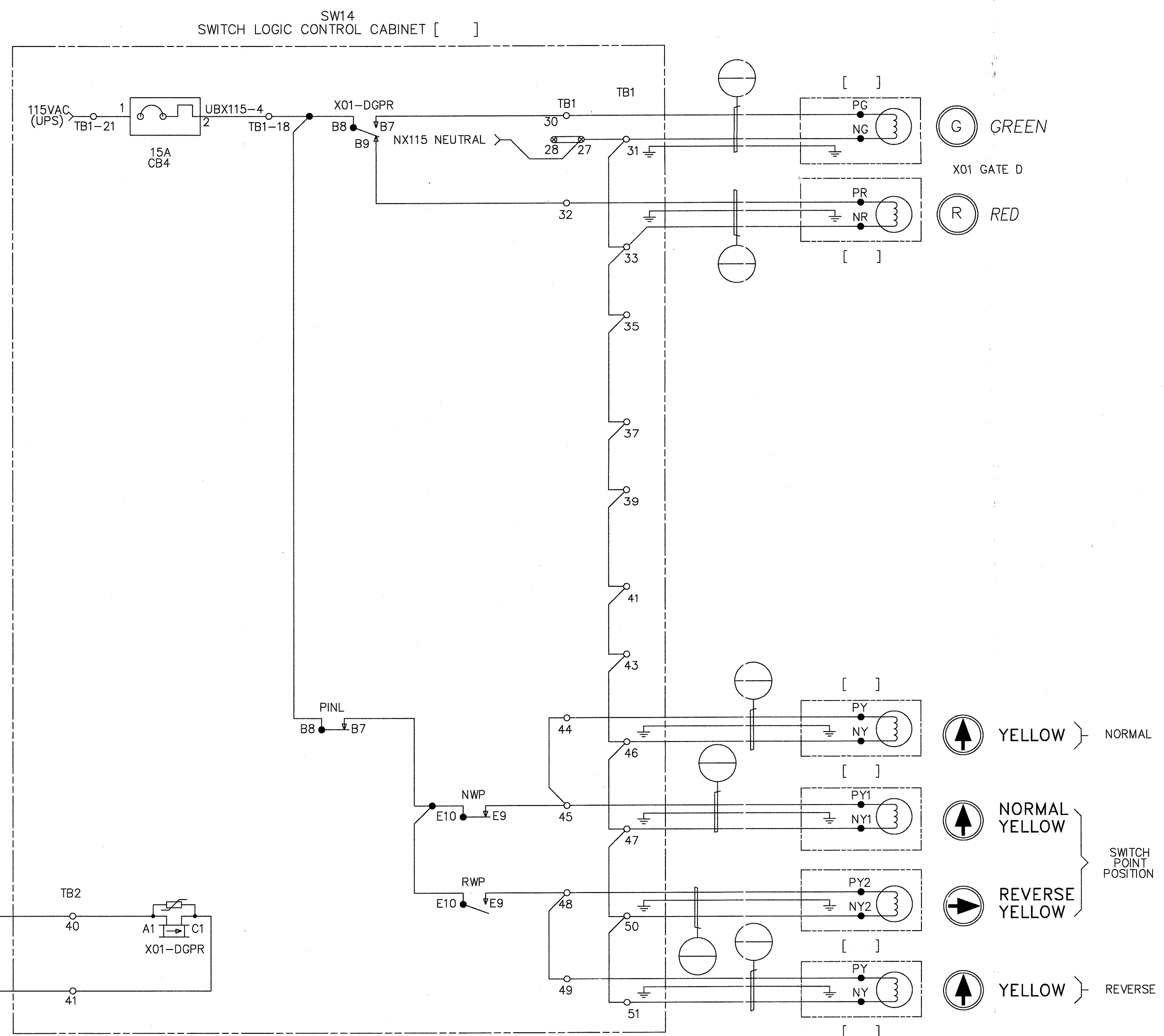
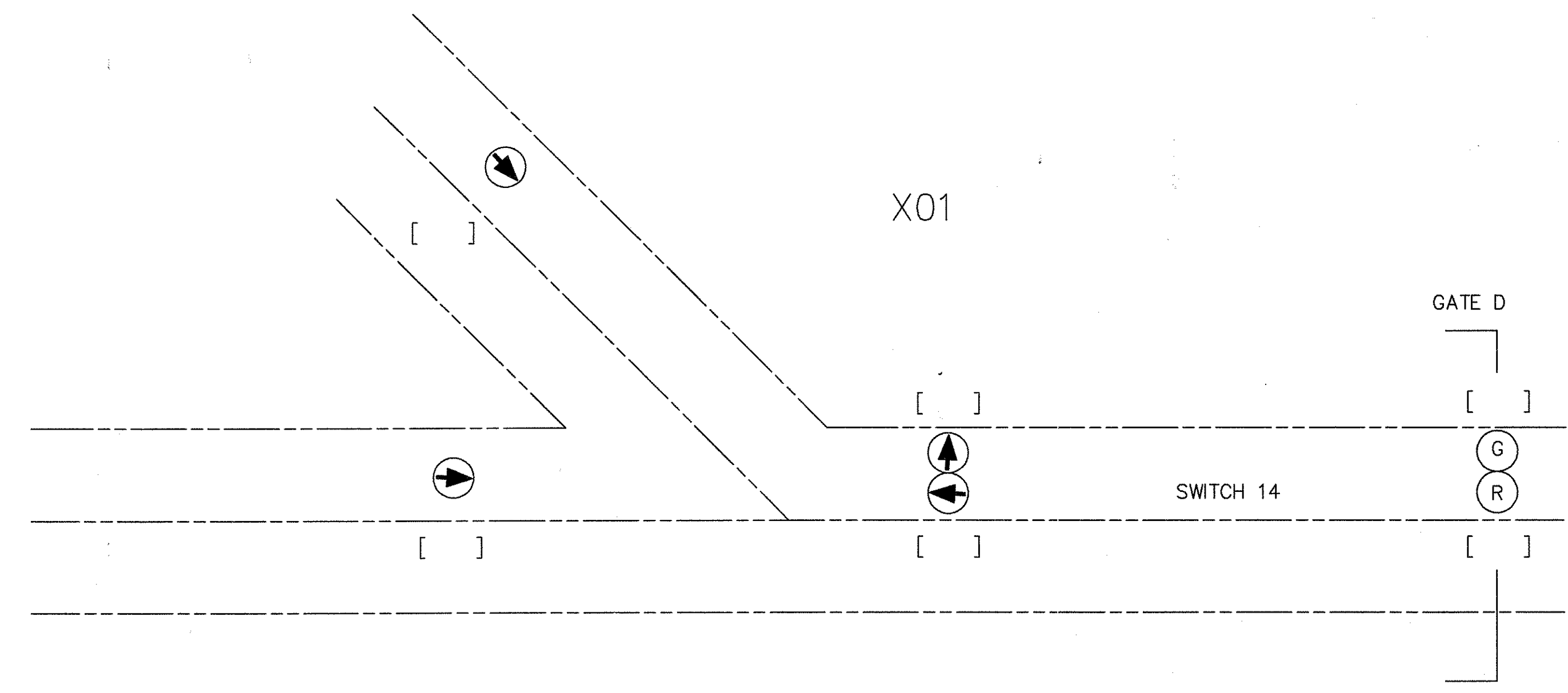
PROPRIETARY INFORMATION - SEE SHEET 1

AutoCAD

GEOMETRIC CHARACTERISTIC SYMBOLS	
FLATNESS	▭
STRAIGHTNESS	—
ROUNDNESS (CIRCULARITY)	○
CYLINDRICITY	∅
PROFILE OF ANY LINE	—
PROFILE OF ANY SURFACE	—
PARALLELISM	∥
PERPENDICULARITY (SQUARENESS)	⊥
ANGULARITY	∠
RUNOUT	↻
TRUE POSITION	⊕
CONCENTRICITY	⊙
SYMMETRY	∩
MAXIMUM MATERIAL CONDITION (MMC)	Ⓜ
REGARDLESS OF FEATURE SIZE	Ⓜ

DFTM.	J. LYSKEY	DATE	1-19-98
CHKR.			
ENGRG.	K. RYAN		
MFG.			
APPD.			
DFTG. SUPV.	E.D. MATTY		

<b>BOMBARDIER</b>	
TITLE WAYSIDE SYSTEM SCHEMATIC	
GEORGE BUSH INTERCONTINENTAL AIRPORT-HOUSTON	
DIMENSIONS IN INCHES	
SIZE	D
DWG. NO.	5D81332
REV.	9
SCALE	NONE
WT.	
SHEET	135



FUTURE TRAFFIC SIGNAL SWITCH NO. 14  
AND GATE D

GEOMETRIC CHARACTERISTIC SYMBOLS	
FLATNESS	▭
STRAIGHTNESS	—
ROUNDNESS (CIRCULARITY)	○
CYLINDRICITY	⊘
PROFILE OF ANY LINE	⌒
PROFILE OF ANY SURFACE	⌒
PARALLELISM	∥
PERPENDICULARITY (SQUARENESS)	⊥
ANGULARITY	∠
RUNOUT	↻
TRUE POSITION	⊕
CONCENTRICITY	⊙
SYMMETRY	⊞
MAXIMUM MATERIAL CONDITION (MMC)	Ⓜ
REGARDLESS OF FEATURE SIZE	Ⓜ

DFTM.	J. LYNSKEY	DATE	1-19-98
CHKR.			
ENGRG.	K. RYAN		
MFG.			
APPD.			
DFTG. SUPV.	E.D. MATTY		

<b>BOMBARDIER</b>			
TITLE WAYSIDE SYSTEM SCHEMATIC			
GEORGE BUSH INTERCONTINENTAL AIRPORT-HOUSTON			
DIMENSIONS IN INCHES			
SIZE	D	DWG. NO.	5D81332
SCALE	NONE	WT.	
SHEET	136	REV.	9

PROPRIETARY INFORMATION - SEE SHEET 1

AutoCAD

PROCESS ELEMENT CABINET [9]

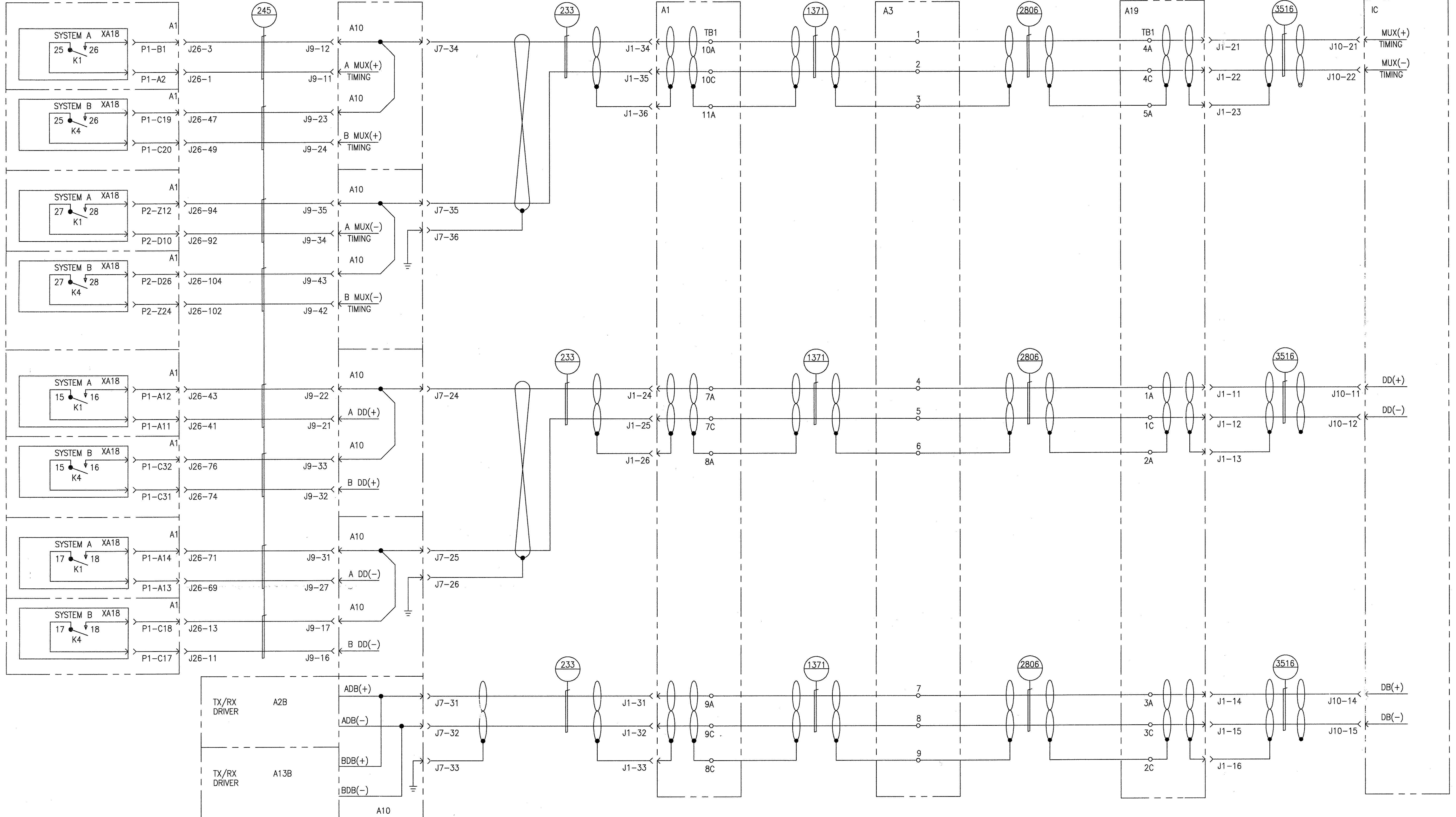
GEALOC CABINET [8]

GEALOC TERMINATION CABINET [10]

TERMINAL C TERMINATION CABINET [37]

TX/RX "D" TERMINATION CABINET [807]

TX/RX "D" CABINET [806]



TX/RX SOUTH GUIDEWAY STATION GEALOC

GEOMETRIC CHARACTERISTIC SYMBOLS

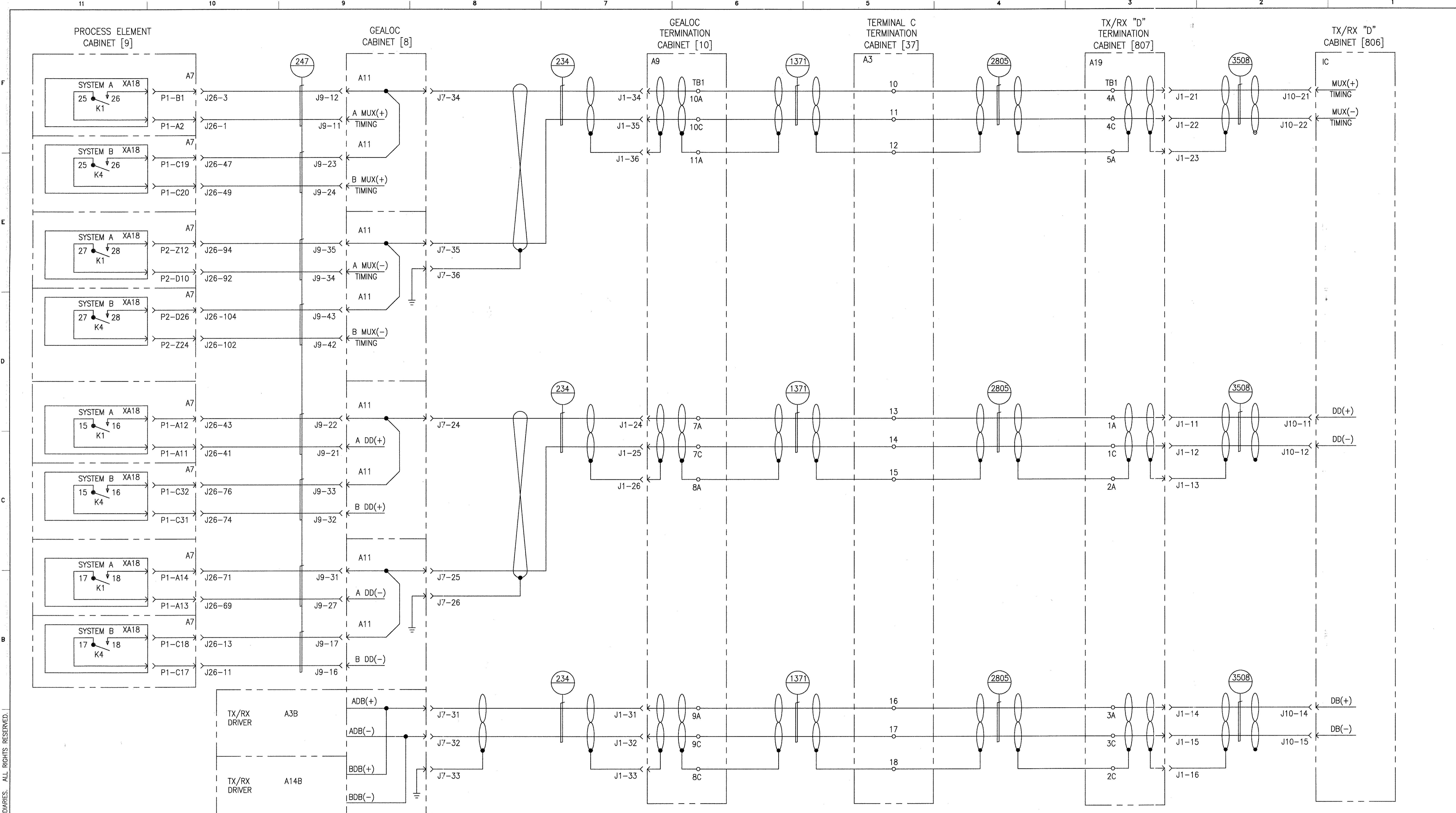
FLATNESS	▭
STRAIGHTNESS	—
ROUNDNESS (CIRCULARITY)	○
CYLINDRICITY	⊘
PROFILE OF ANY LINE	⌒
PROFILE OF ANY SURFACE	⌒
PARALLELISM	∥
PERPENDICULARITY (SQUARENESS)	⊥
ANGULARITY	∠
RUNOUT	⊖
TRUE POSITION	⊕
CONCENTRICITY	⊙
SYMMETRY	⊞
MAXIMUM MATERIAL CONDITION (MMC)	Ⓜ
REGARDLESS OF FEATURE SIZE	Ⓜ

DFTM.	J. LYNSKEY	DATE	1-21-98
CHKR.			
ENGRG.	K. RYAN		
MFG.			
APPD.			
DFTG. SUPV.	E.D. MATTY		

<b>BOMBARDIER</b>		
TITLE		
WAYSIDE SYSTEM SCHEMATIC		
GEORGE BUSH INTERCONTINENTAL AIRPORT-HOUSTON		
DIMENSIONS IN INCHES		
SIZE	DWG. NO.	REV.
D	5D81332	9
SCALE NONE	WT.	SHEET 137

PROPRIETARY INFORMATION - SEE SHEET 1

AutoCAD



TX/RX SOUTH GUIDEWAY  
STATION GEALOC

GEOMETRIC CHARACTERISTIC SYMBOLS	
FLATNESS	▭
STRAIGHTNESS	—
ROUNDNESS (CIRCULARITY)	○
CYLINDRICITY	⊘
PROFILE OF ANY LINE	⌒
PROFILE OF ANY SURFACE	⌒
PARALLELISM	∥
PERPENDICULARITY (SQUARENESS)	⊥
ANGULARITY	∠
RUNOUT	⊖
TRUE POSITION	⊕
CONCENTRICITY	⊙
SYMMETRY	⊞
MAXIMUM MATERIAL CONDITION (MMC)	Ⓜ
REGARDLESS OF FEATURE SIZE	Ⓜ

DFTM.	J. LYSKEY	DATE	1-22-98
CHKR.			
ENGR.	K. RYAN		
MFG.			
APPD.			
DFTG. SUPV.	E.D. MATTY		

<b>BOMBARDIER</b>	
TITLE WAYSIDE SYSTEM SCHEMATIC	
GEORGE BUSH INTERCONTINENTAL AIRPORT-HOUSTON	
DIMENSIONS IN INCHES	
SIZE	D
DWG. NO.	5D81332
REV.	9
SCALE	NONE
WT.	
SHEET	138

PROPRIETARY INFORMATION - SEE SHEET 1

AutoCAD

THIS SHEET INTENTIONALLY LEFT BLANK

TERMINAL D  
NORTH STATION ATO TO GEALOC INDICATIONS  
SEE DRAWING 6D61054 SHEET 123

PROPRIETARY INFORMATION - SEE SHEET 1

AutoCAD

GEOMETRIC CHARACTERISTIC SYMBOLS	
FLATNESS	
STRAIGHTNESS	
ROUNDNESS (CIRCULARITY)	
CYLINDRICITY	
PROFILE OF ANY LINE	
PROFILE OF ANY SURFACE	
PARALLELISM	
PERPENDICULARITY (SQUARENESS)	
ANGULARITY	
RUNOUT	
TRUE POSITION	
CONCENTRICITY	
SYMMETRY	
MAXIMUM MATERIAL CONDITION (MMC) REGARDLESS OF FEATURE SIZE	

DFTM. J. LYSKEY	DATE 1-22-98
CHKR.	
ENGRG. K. RYAN	
MFG.	
APPD.	
DFTG. SUPV. E.D. MATTY	

<b>BOMBARDIER</b>		
TITLE WAYSIDE SYSTEM SCHEMATIC		
GEORGE BUSH INTERCONTINENTAL AIRPORT-HOUSTON		
DIMENSIONS IN INCHES		
SIZE D	DWG. NO. 5D81332	REV. 9
SCALE NONE	WT.	SHEET 139

© 2005 BOMBARDIER INC. OR ITS SUBSIDIARIES. ALL RIGHTS RESERVED.

THIS SHEET INTENTIONALLY LEFT BLANK

TERMINAL D  
 SOUTH STATION ATO TO GEALOC INDICATIONS  
 SEE DRAWING 6D61054 SHEET 124

GEOMETRIC CHARACTERISTIC SYMBOLS	
FLATNESS	
STRAIGHTNESS	
ROUNDNESS (CIRCULARITY)	
CYLINDRICITY	
PROFILE OF ANY LINE	
PROFILE OF ANY SURFACE	
PARALLELISM	
PERPENDICULARITY (SQUARENESS)	
ANGULARITY	
RUNOUT	
TRUE POSITION	
CONCENTRICITY	
SYMMETRY	
MAXIMUM MATERIAL CONDITION (MMC)	
REGARDLESS OF FEATURE SIZE	

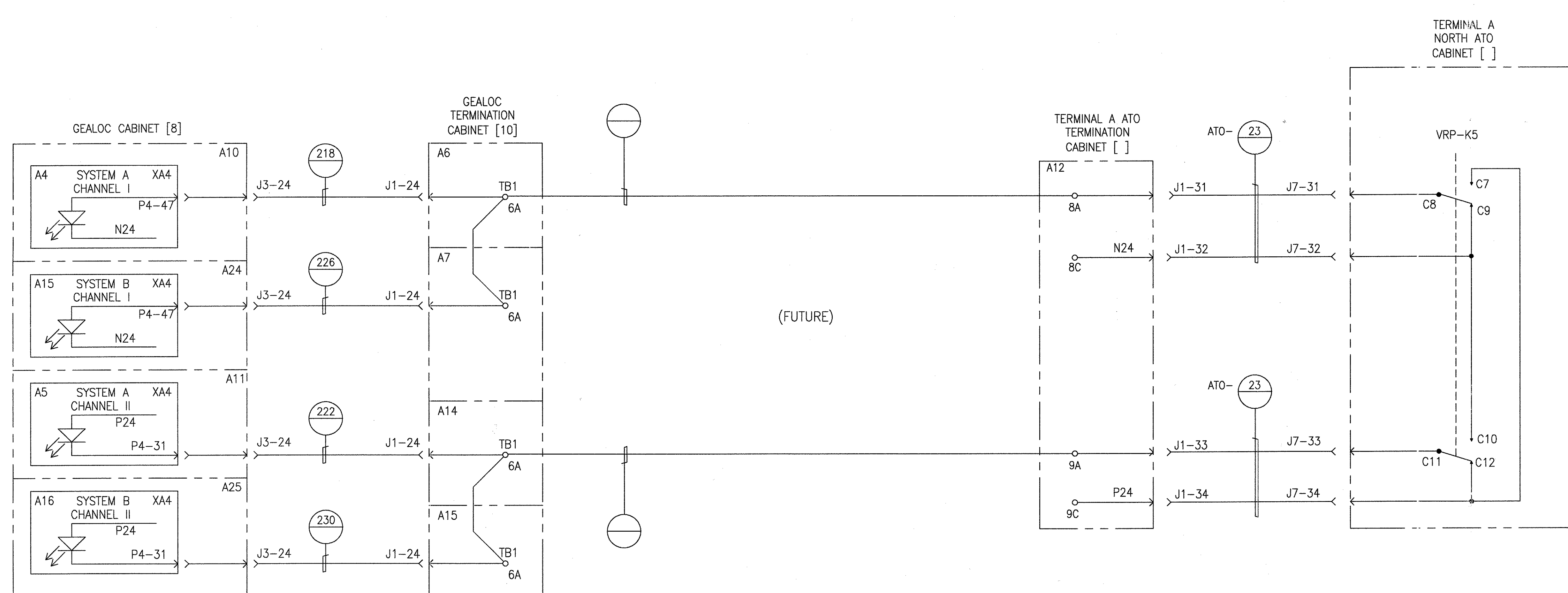
DFTM.	J. LY SKEY	DATE	1-22-98
CHKR.			
ENGRG.	K. RYAN		
MFG.			
APPD.			
DFTG. SUPV.	E.D. MATTY		

<b>BOMBARDIER</b>			
TITLE WAYSIDE SYSTEM SCHEMATIC			
GEORGE BUSH INTERCONTINENTAL AIRPORT-HOUSTON			
DIMENSIONS IN INCHES			
SIZE	D	DWG. NO.	5D81332
SCALE	NONE	WT.	
SHEET	140	REV.	9

PROPRIETARY INFORMATION - SEE SHEET 1

AutoCAD





EMERGENCY DOORS, GUIDEWAY ACCESS GATES CLOSED AND LOCKED INTERFACE AND BLUE LIGHT STATIONS

NOTE:

RELAY K5 ENERGIZED ENABLES THE GEALOC CIRCUITRY.

TERMINAL A - NORTH STATION  
ATO TO GEALOC INDICATIONS - (FUTURE)

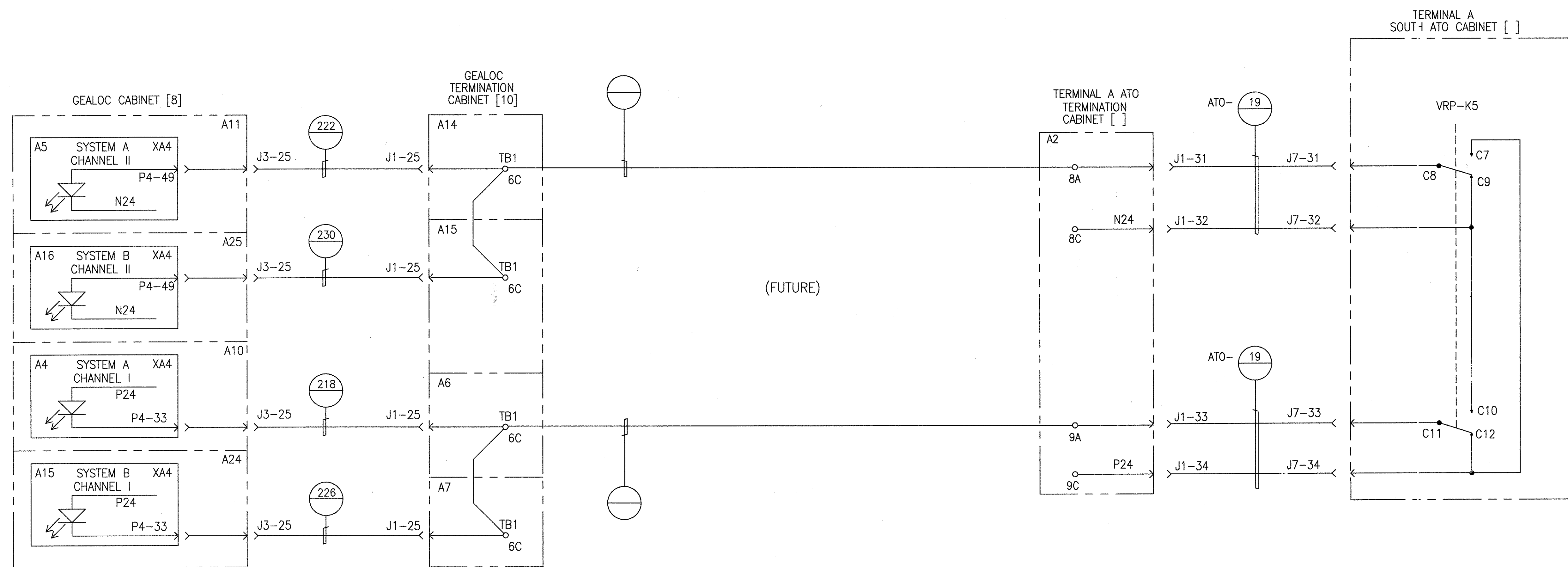
PROPRIETARY INFORMATION - SEE SHEET 1

AutoCAD

GEOMETRIC CHARACTERISTIC SYMBOLS	
FLATNESS	▭
STRAIGHTNESS	—
ROUNDNESS (CIRCULARITY)	○
CYLINDRICITY	⊘
PROFILE OF ANY LINE	⌒
PROFILE OF ANY SURFACE	⌒
PARALLELISM	∥
PERPENDICULARITY (SQUARENESS)	⊥
ANGULARITY	∠
RUNOUT	⊖
TRUE POSITION	⊕
CONCENTRICITY	⊙
SYMMETRY	⊞
MAXIMUM MATERIAL CONDITION (MMC)	Ⓜ
REGARDLESS OF FEATURE SIZE	Ⓛ

DFTM.	J. LYSKEY	DATE	1-22-98
CHKR.			
ENGR.	K. RYAN		
MFG.			
APPD.			
DFTG. SUPV.	E.D. MATTY		

<b>BOMBARDIER</b>			
TITLE			
WAYSIDE SYSTEM SCHEMATIC			
GEORGE BUSH INTERCONTINENTAL AIRPORT-HOUSTON			
DIMENSIONS IN INCHES			
SIZE	DWG. NO.	REV.	
D	5D81332	9	
SCALE NONE	WT.	SHEET	141



EMERGENCY DOORS, GUIDEWAY ACCESS GATES  
CLOSED AND LOCKED INTERFACE AND BLUE LIGHT STATIONS

NOTE:

RELAY K5 ENERGIZED ENABLES THE  
GEALOC CIRCUITRY.

TERMINAL A - SOUTH STATION  
ATO TO GEALOC INDICATIONS - (FUTURE)

GEOMETRIC CHARACTERISTIC SYMBOLS	
FLATNESS	▭
STRAIGHTNESS	—
ROUNDNESS (CIRCULARITY)	○
CYLINDRICITY	⊘
PROFILE OF ANY LINE	⊖
PROFILE OF ANY SURFACE	⊖
PARALLELISM	∥
PERPENDICULARITY (SQUARENESS)	⊥
ANGULARITY	∠
RUNOUT	↻
TRUE POSITION	⊕
CONCENTRICITY	⊙
SYMMETRY	≡
MAXIMUM MATERIAL CONDITION (MMC)	Ⓜ
REGARDLESS OF FEATURE SIZE	Ⓜ

DFTM. J. LYNKEY	DATE 1-22-98
CHKR.	
ENGRG. K. RYAN	
MFG.	
APPD.	
DFTG. SUPV. E.D. MATTY	

<b>BOMBARDIER</b>	
TITLE WAYSIDE SYSTEM SCHEMATIC	
GEORGE BUSH INTERCONTINENTAL AIRPORT-HOUSTON	
DIMENSIONS IN INCHES	
SIZE D	DWG. NO. 5D81332
SCALE NONE	WT. SHEET 142
REV. 9	

PROPRIETARY INFORMATION - SEE SHEET 1

AutoCAD

THIS SHEET INTENTIONALLY LEFT BLANK

GEOMETRIC CHARACTERISTIC SYMBOLS	
FLATNESS	
STRAIGHTNESS	
ROUNDNESS (CIRCULARITY)	
CYLINDRICITY	
PROFILE OF ANY LINE	
PROFILE OF ANY SURFACE	
PARALLELISM	
PERPENDICULARITY (SQUARENESS)	
ANGULARITY	
RUNOUT	
TRUE POSITION	
CONCENTRICITY	
SYMMETRY	
MAXIMUM MATERIAL CONDITION (MMC)	
REGARDLESS OF FEATURE SIZE	

DFTM.	DATE
J. LYNSKEY	1-22-98
CHKR.	
ENGRG.	
K. RYAN	
MFG.	
APPD.	
DFTG. & UPV.	
E.D. MATTY	

BOMBARDIER			
TITLE			
WAYSIDE SYSTEM SCHEMATIC			
GEORGE BUSH INTERCONTINENTAL AIRPORT-HOUSTON			
DIMENSIONS IN INCHES			
SIZE	DWG. NO.	REV.	
D	5D81332	9	
SCALE NONE	WT.	SHEET	143

PROPRIETARY INFORMATION - SEE SHEET 1

AutoCAD

REV. NO.

© 2005 BOMBARDIER INC. OR ITS SUBSIDIARIES. ALL RIGHTS RESERVED.

THIS SHEET INTENTIONALLY LEFT BLANK

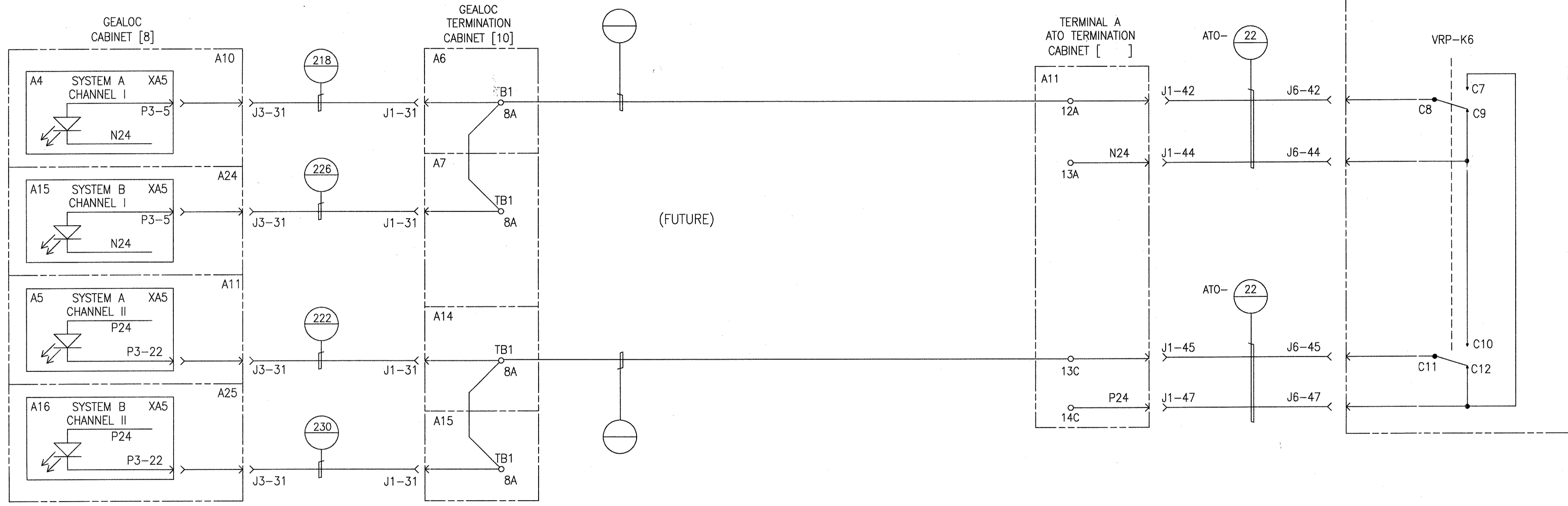
GEOMETRIC CHARACTERISTIC SYMBOLS	
FLATNESS	
STRAIGHTNESS	
ROUNDNESS (CIRCULARITY)	
CYLINDRICITY	
PROFILE OF ANY LINE	
PROFILE OF ANY SURFACE	
PARALLELISM	
PERPENDICULARITY (SQUARENESS)	
ANGULARITY	
RUNOUT	
TRUE POSITION	
CONCENTRICITY	
SYMMETRY	
MAXIMUM MATERIAL CONDITION (MMC)	
REGARDLESS OF FEATURE SIZE	

DFTM.	DATE
J. LYNSKEY	1-23-98
CHKR.	
ENGRG.	
K. RYAN	
MFG.	
APPD.	
DFTG. SUPV.	
E.D. MATTY	

BOMBARDIER		
TITLE		
WAYSIDE SYSTEM SCHEMATIC		
GEORGE BUSH INTERCONTINENTAL AIRPORT-HOUSTON		
DIMENSIONS IN INCHES		
SIZE	DWG. NO.	REV.
D	5D81332	9
SCALE NONE	WT.	SHEET 144

PROPRIETARY INFORMATION - SEE SHEET 1

AutoCAD



PASSENGER DOORS CLOSED & LOCKED

NOTE:

RELAY K6 ENERGIZED ENABLES THE GEALOC CIRCUITRY.

TERMINAL A NORTH STATION  
ATO TO GEALOC INDICATIONS (FUTURE)

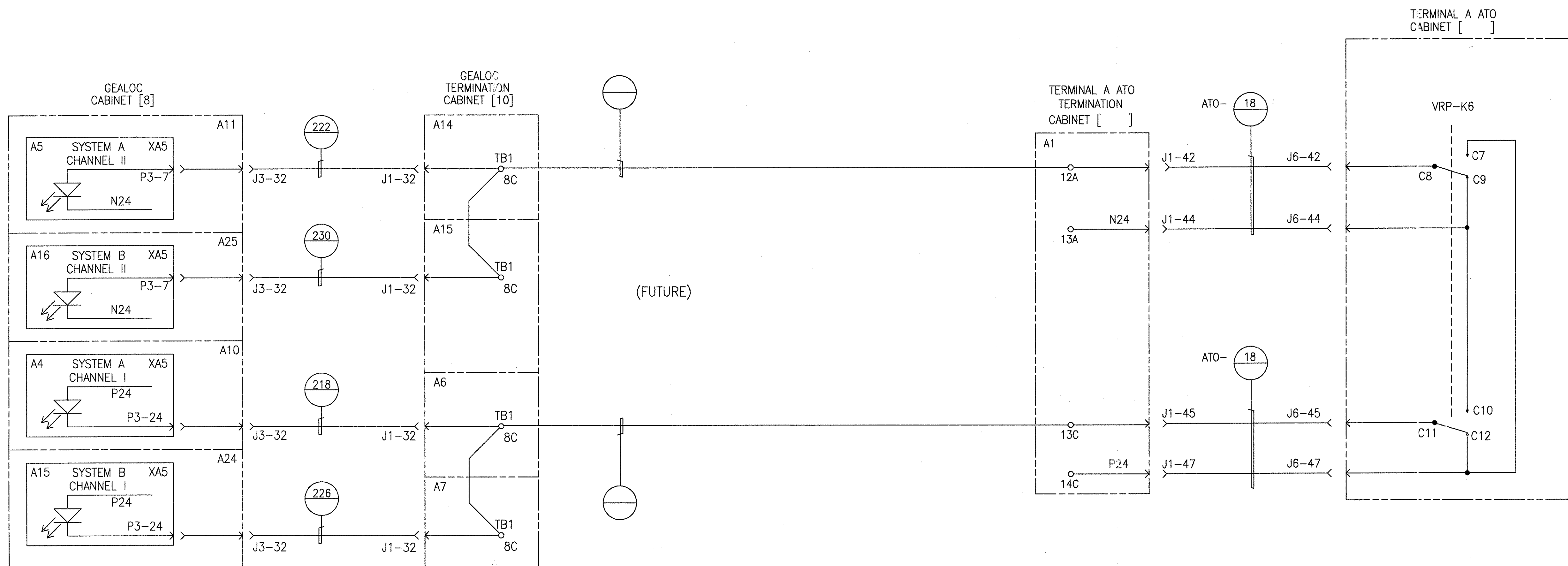
PROPRIETARY INFORMATION - SEE SHEET 1

AutoCAD

GEOMETRIC CHARACTERISTIC SYMBOLS	
FLATNESS	▭
STRAIGHTNESS	—
ROUNDNESS (CIRCULARITY)	○
CYLINDRICITY	⊘
PROFILE OF ANY LINE	⌒
PROFILE OF ANY SURFACE	⌒
PARALLELISM	∥
PERPENDICULARITY (SQUARENESS)	⊥
ANGULARITY	∠
RUNOUT	↻
TRUE POSITION	⊕
CONCENTRICITY	⊙
SYMMETRY	⊞
MAXIMUM MATERIAL CONDITION (MMC)	Ⓜ
REGARDLESS OF FEATURE SIZE	Ⓛ

DFTM.	J. LYNSKEY	DATE	1-23-98
CHKR.			
ENGRG.	K. RYAN		
MFG.			
APPD.			
DFTG. SUPV.	E.D. MATTY		

<b>BOMBARDIER</b>			
TITLE			
WAYSIDE SYSTEM SCHEMATIC			
GEORGE BUSH INTERCONTINENTAL AIRPORT-HOUSTON			
DIMENSIONS IN INCHES			
SIZE	D	DWG. NO.	5D81332
SCALE	NONE	WT.	
SHEET	145	REV.	9



PASSENGER DOORS CLOSED & LOCKED

TERMINAL A SOUTH STATION  
ATO TO GEALOC INDICATIONS (FUTURE)

**NOTE:**

RELAY K6 ENERGIZED ENABLES THE GEALOC CIRCUITRY.

PROPRIETARY INFORMATION - SEE SHEET 1

AutoCAD

GEOMETRIC CHARACTERISTIC SYMBOLS	
FLATNESS	▭
STRAIGHTNESS	▬
ROUNDNESS (CIRCULARITY)	○
CYLINDRICITY	⊘
PROFILE OF ANY LINE	⌒
PROFILE OF ANY SURFACE	⌒
PARALLELISM	∥
PERPENDICULARITY (SQUARENESS)	⊥
ANGULARITY	∠
RUNOUT	⊖
TRUE POSITION	⊕
CONCENTRICITY	⊙
SYMMETRY	⊞
MAXIMUM MATERIAL CONDITION (MMC)	Ⓜ
REGARDLESS OF FEATURE SIZE	Ⓛ

DFTM.	J. LYNSKEY	DATE	1-23-98
CHKR.			
ENGRG.	K. RYAN		
MFG.			
APPD.			
DFTG. SUPV.	E.D. MATTY		

<b>BOMBARDIER</b>			
TITLE			
WAYSIDE SYSTEM SCHEMATIC			
GEORGE BUSH INTERCONTINENTAL AIRPORT-HOUSTON			
DIMENSIONS IN INCHES			
SIZE	DWG. NO.	REV.	
D	5D81332	9	
SCALE	NONE	WT.	
		SHEET	146

THIS SHEET INTENTIONALLY LEFT BLANK  
 CENTRAL VITAL SWITCH PANEL PROHIBIT ZONES  
 SEE DRAWING 6D61054 SHEET 101

PROPRIETARY INFORMATION - SEE SHEET 1

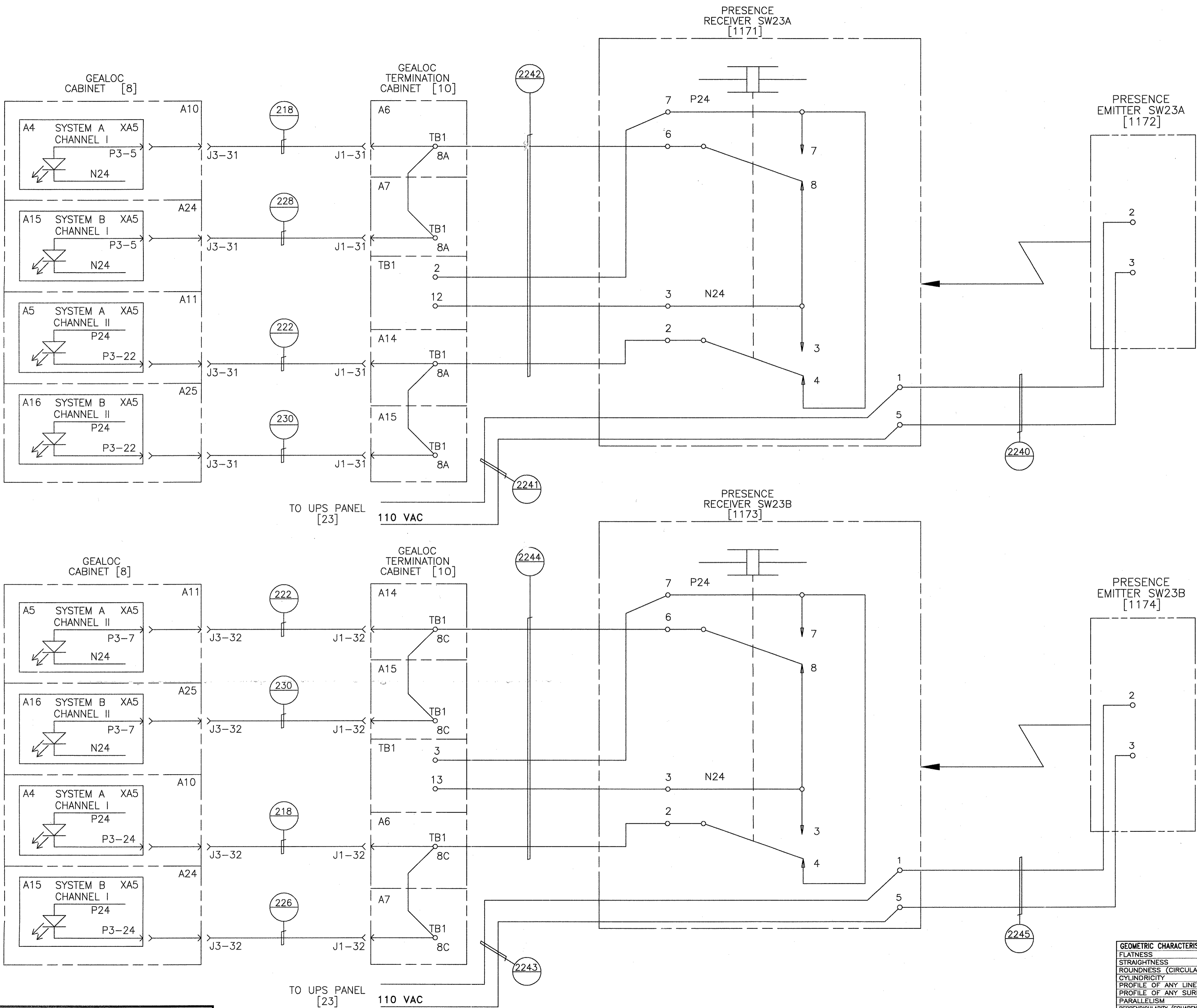
AutoCAD

GEOMETRIC CHARACTERISTIC SYMBOLS	
FLATNESS	
STRAIGHTNESS	
ROUNDNESS (CIRCULARITY)	
CYLINDRICITY	
PROFILE OF ANY LINE	
PROFILE OF ANY SURFACE	
PARALLELISM	
PERPENDICULARITY (SQUARENESS)	
ANGULARITY	
RUNOUT	
TRUE POSITION	
CONCENTRICITY	
SYMMETRY	
MAXIMUM MATERIAL CONDITION (MMC)	
REGARDLESS OF FEATURE SIZE	

DFTM.	DATE
J. LYSKEY	1-27-98
CHKR.	
ENGRG.	
K. RYAN	
MFG.	
APPD.	
DFTG. SUPV.	
E.D. MATTY	

BOMBARDIER		
TITLE		
WAYSIDE SYSTEM SCHEMATIC		
GEORGE BUSH INTERCONTINENTAL AIRPORT-HOUSTON		
DIMENSIONS IN INCHES		
SIZE	DWG. NO.	REV.
D	5D81332	9
SCALE NONE	WT.	SHEET 147

© 2005 BOMBARDIER INC. OR ITS SUBSIDIARIES. ALL RIGHTS RESERVED.



NOTE: SHOWN WITH LIGHT BEAM  
DISRUPTED AND OUTPUT LIGHT OFF

PROPRIETARY INFORMATION - SEE SHEET 1

PRESENCE DETECTOR - SW23

GEOMETRIC CHARACTERISTIC SYMBOLS	
FLATNESS	▭
STRAIGHTNESS	—
ROUNDNESS (CIRCULARITY)	○
CYLINDRICITY	⊘
PROFILE OF ANY LINE	⌒
PROFILE OF ANY SURFACE	⌒
PARALLELISM	∥
PERPENDICULARITY (SQUARENESS)	⊥
ANGULARITY	∠
RUNOUT	⊖
TRUE POSITION	⊕
CONCENTRICITY	⊙
SYMMETRY	⊞
MAXIMUM MATERIAL CONDITION (MMC)	Ⓜ
REGARDLESS OF FEATURE SIZE	Ⓜ

DFTM.	J. LYSKEY	DATE	1-27-98
CHKR.			
ENGRG.	K. RYAN		
MFG.			
APPD.			
DFTG. SUPV.	E.D. MATTY		

<b>BOMBARDIER</b>	
TITLE WAYSIDE SYSTEM SCHEMATIC	
GEORGE BUSH INTERCONTINENTAL AIRPORT-HOUSTON	
DIMENSIONS IN INCHES	
SIZE	DWG. NO. 5D81332
D	9
SCALE NONE	WT.
SHEET 148	



THIS SHEET INTENTIONALLY LEFT BLANK

PROPRIETARY INFORMATION - SEE SHEET 1

AutoCAD

GEOMETRIC CHARACTERISTIC SYMBOLS	
FLATNESS	
STRAIGHTNESS	
ROUNDNESS (CIRCULARITY)	
CYLINDRICITY	
PROFILE OF ANY LINE	
PROFILE OF ANY SURFACE	
PARALLELISM	
PERPENDICULARITY (SQUARENESS)	
ANGULARITY	
RUNOUT	
TRUE POSITION	
CONCENTRICITY	
SYMMETRY	
MAXIMUM MATERIAL CONDITION (MMC)	
REGARDLESS OF FEATURE SIZE	

DFTM.	J. LYSKEY	DATE	1-27-98
CHKR.			
ENGRG.	K. RYAN		
MFG.			
APPD.			
DFTG. SUPV.	E.D. MATTY		

<b>BOMBARDIER</b>		
TITLE		
WAYSIDE SYSTEM SCHEMATIC		
GEORGE BUSH INTERCONTINENTAL AIRPORT-HOUSTON		
DIMENSIONS IN INCHES		
SIZE	DWG. NO.	REV.
D	5D81332	9
SCALE NONE	WT.	SHEET 149

© 2005, BOMBARDIER INC. OR ITS SUBSIDIARIES. ALL RIGHTS RESERVED.

CENTRAL CONTROL COMPUTER 1 [481]

CENTRAL CONTROL COMPUTER 2 [482]

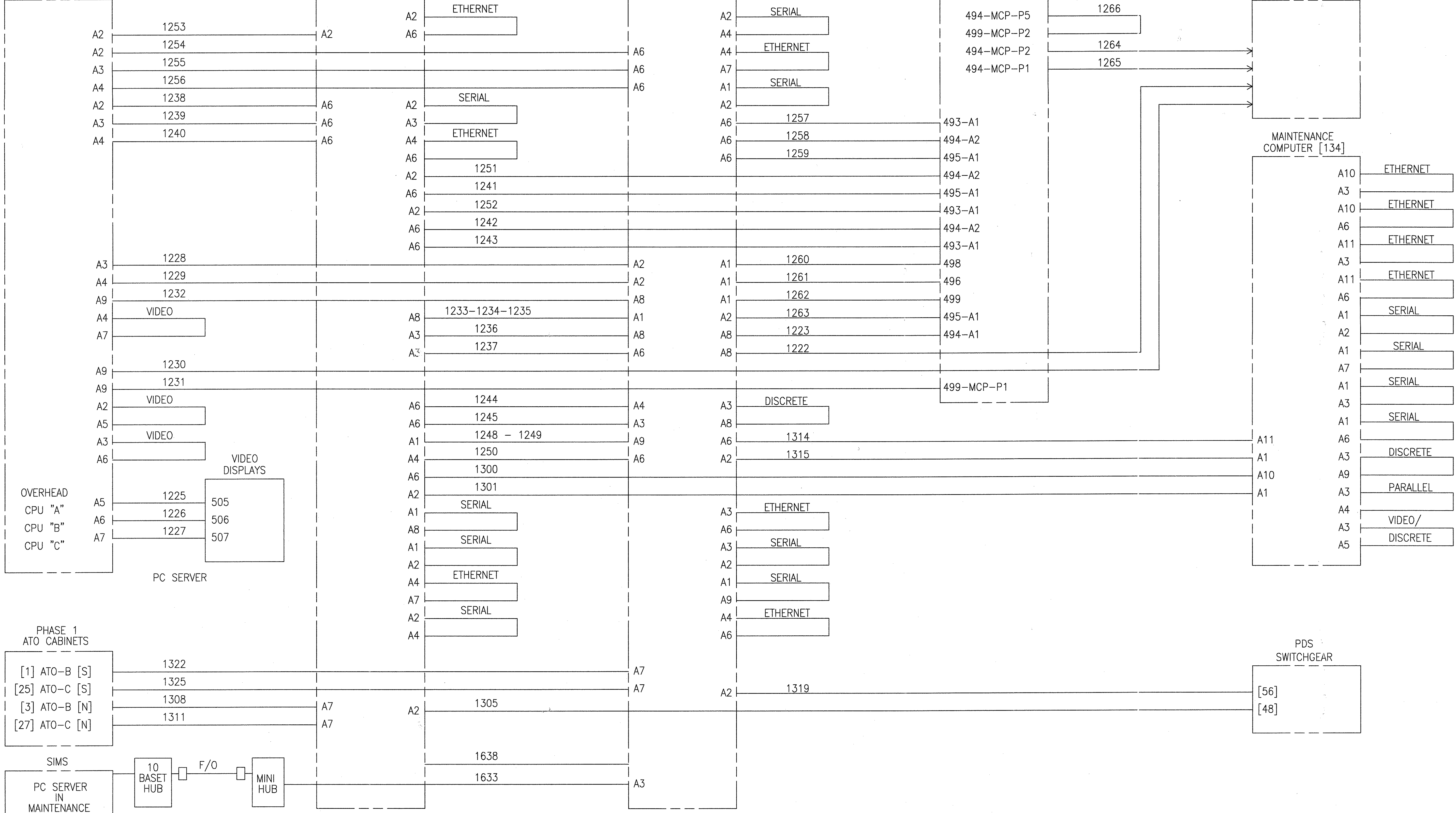
CENTRAL CONTROL COMPUTER 3 [483]

CENTRAL CONSOLE [491 THRU 502]

CENTRAL TERMINATION ENCLOSURE [486]

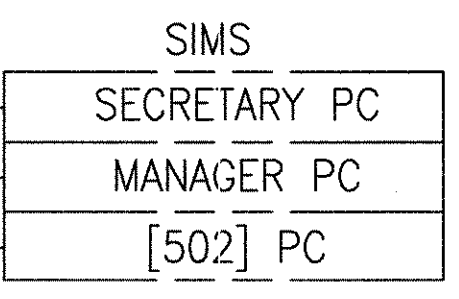
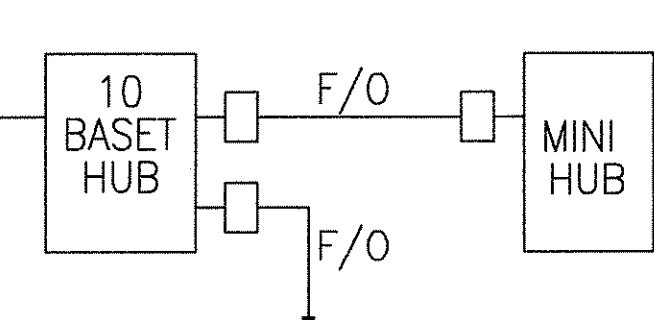
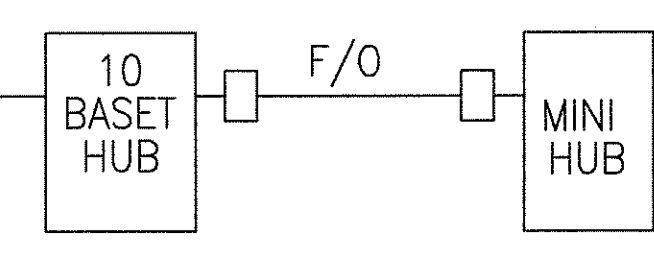
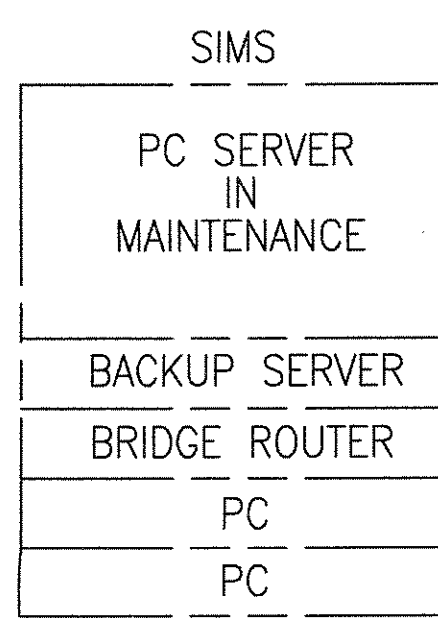
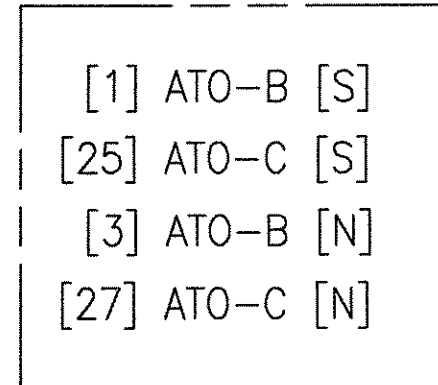
MAINTENANCE COMPUTER [134]

PDS SWITCHGEAR



CENTRAL INTERCONNECTING CABLES

PHASE 1 ATO CABINETS



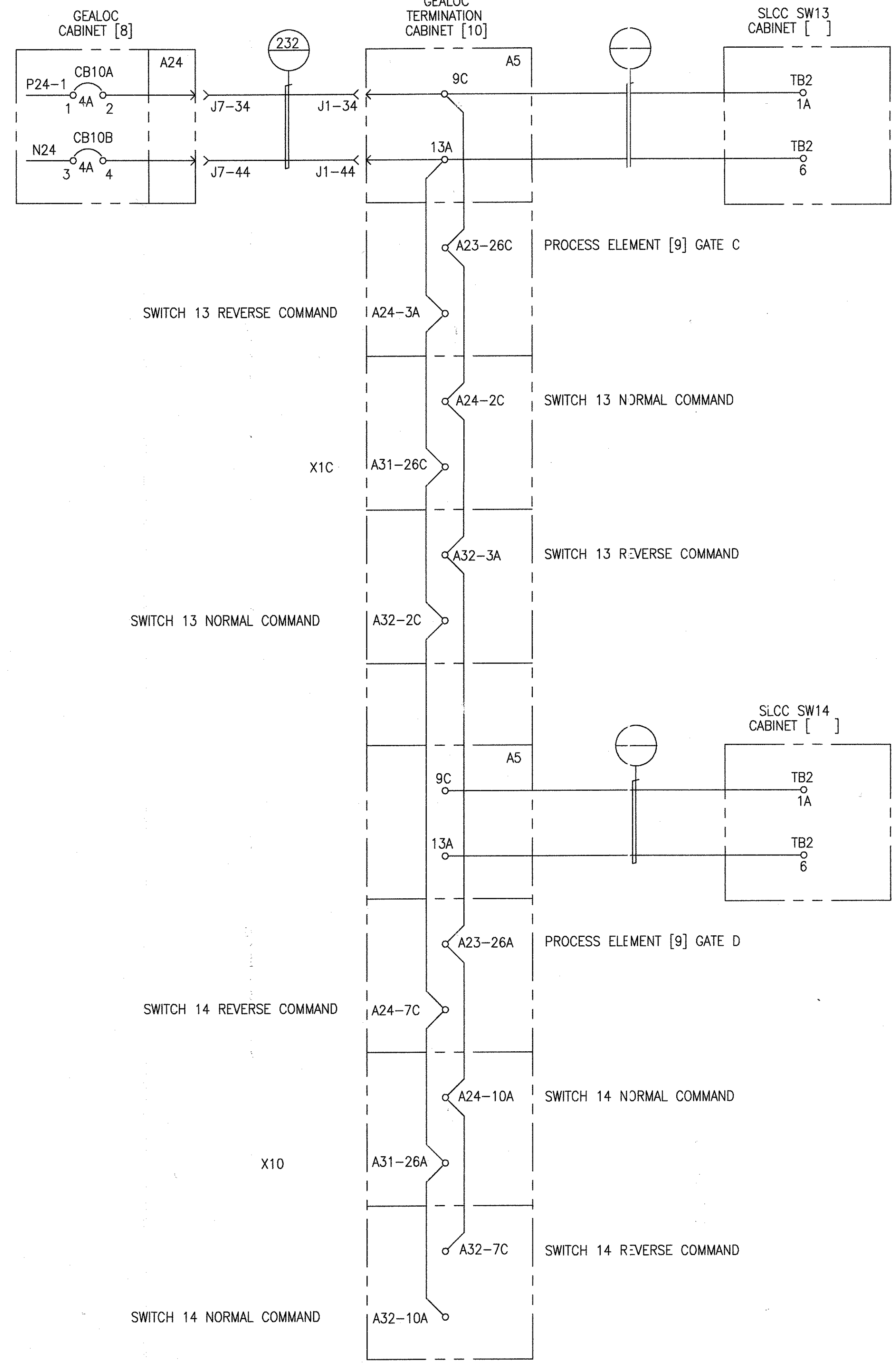
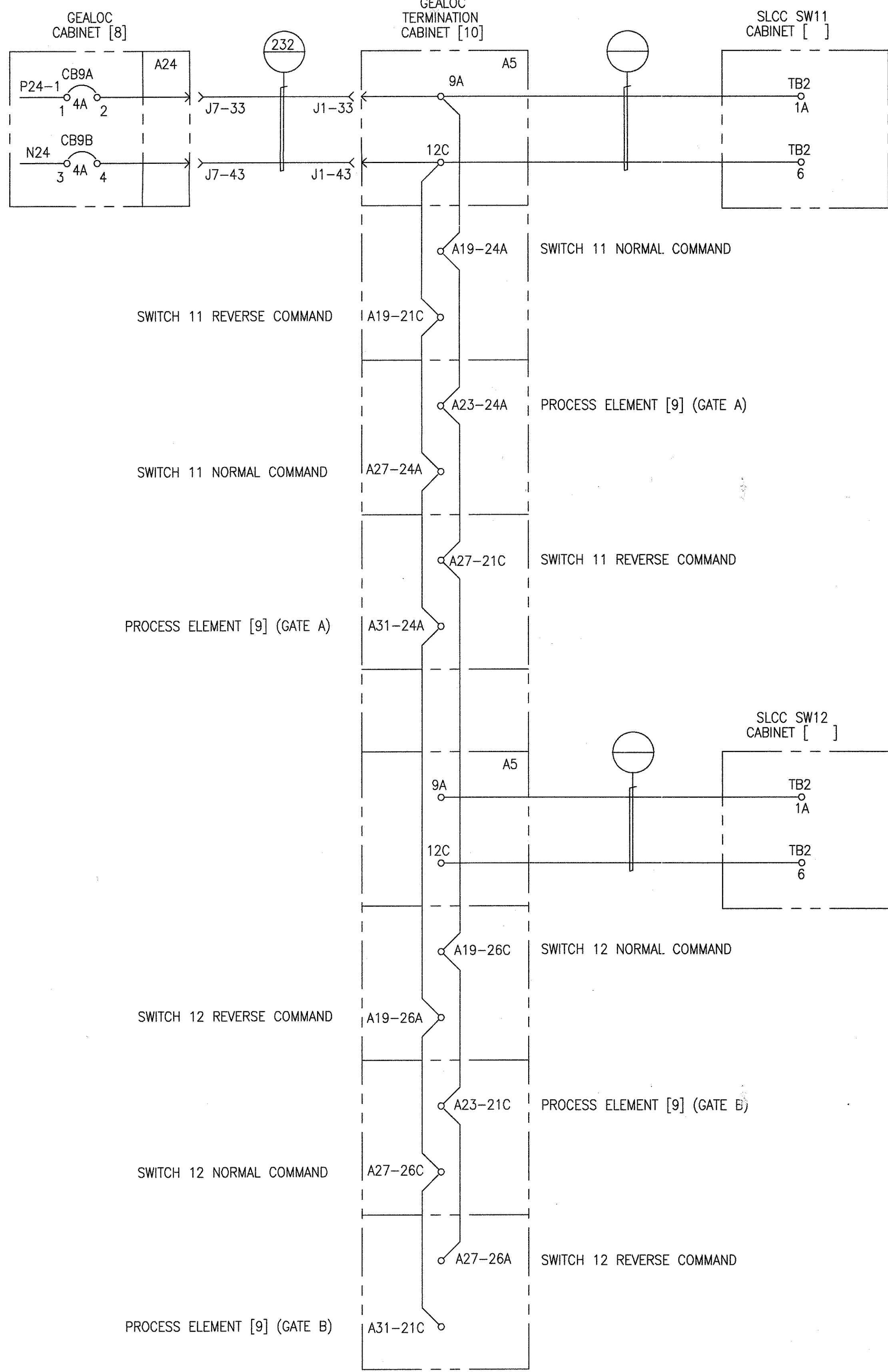
PROPRIETARY INFORMATION - SEE SHEET 1

TO FLIGHT STATION 6

GEOMETRIC CHARACTERISTIC SYMBOLS	
FLATNESS	⏏
STRAIGHTNESS	⏏
ROUNDNESS (CIRCULARITY)	⊘
CYLINDRICITY	⊘
PROFILE OF ANY LINE	⏏
PROFILE OF ANY SURFACE	⏏
PARALLELISM	⏏
PERPENDICULARITY (SQUARENESS)	⏏
ANGULARITY	⏏
RUNOUT	⏏
TRUE POSITION	⏏
CONCENTRICITY	⏏
SYMMETRY	⏏
MAXIMUM MATERIAL CONDITION (MMC)	Ⓜ
REGARDLESS OF FEATURE SIZE	Ⓜ

DFTM.	J. LYNKEY	DATE	1-30-98
CHKR.			
ENGR.	K. RYAN		
MFG.			
APPD.			
DFTG. SUPV.	E.D. MATTY		

<b>BOMBARDIER</b>	
TITLE WAYSIDE SYSTEM SCHEMATIC	
GEORGE BUSH INTERCONTINENTAL AIRPORT-HOUSTON	
DIMENSIONS IN INCHES	
SIZE	DWG. NO. 5D81332
SCALE NONE	WT.
SHEET 150	REV. 9



GEALOC POWER DISTRIBUTION - P24 - SLCC 11, 12, 13, 14  
(FUTURE)

GEOMETRIC CHARACTERISTIC SYMBOLS	
FLATNESS	▭
STRAIGHTNESS	—
ROUNDNESS (CIRCULARITY)	○
CYLINDRICITY	⊘
PROFILE OF ANY LINE	⊖
PROFILE OF ANY SURFACE	⊖
PARALLELISM	∥
PERPENDICULARITY (SQUARENESS)	⊥
ANGULARITY	∠
RUNOUT	⊖
TRUE POSITION	⊕
CONCENTRICITY	⊕
SYMMETRY	⊕
MAXIMUM MATERIAL CONDITION (MMC)	Ⓜ
REGARDLESS OF FEATURE SIZE	Ⓜ

DFTM.	J. LYNSKEY	DATE	1-30-98
CHKR.			
ENGRG.	K. RYAN		
MFG.			
APPD.			
DFTG. SUPV.	E.D. MATTY		

<b>BOMBARDIER</b>	
TITLE WAYSIDE SYSTEM SCHEMATIC	
GEORGE BUSH INTERCONTINENTAL AIRPORT-HOUSTON	
DIMENSIONS IN INCHES	
SIZE	D
DWG. NO.	5D81332
REV.	9
SCALE	NONE
WT.	
SHEET	151

PROPRIETARY INFORMATION - SEE SHEET 1

AutoCAD

REV. NO. 1 2 3 4 5 6 7 8 9 10 11

THIS SHEET INTENTIONALLY LEFT BLANK

PROPRIETARY INFORMATION - SEE SHEET 1

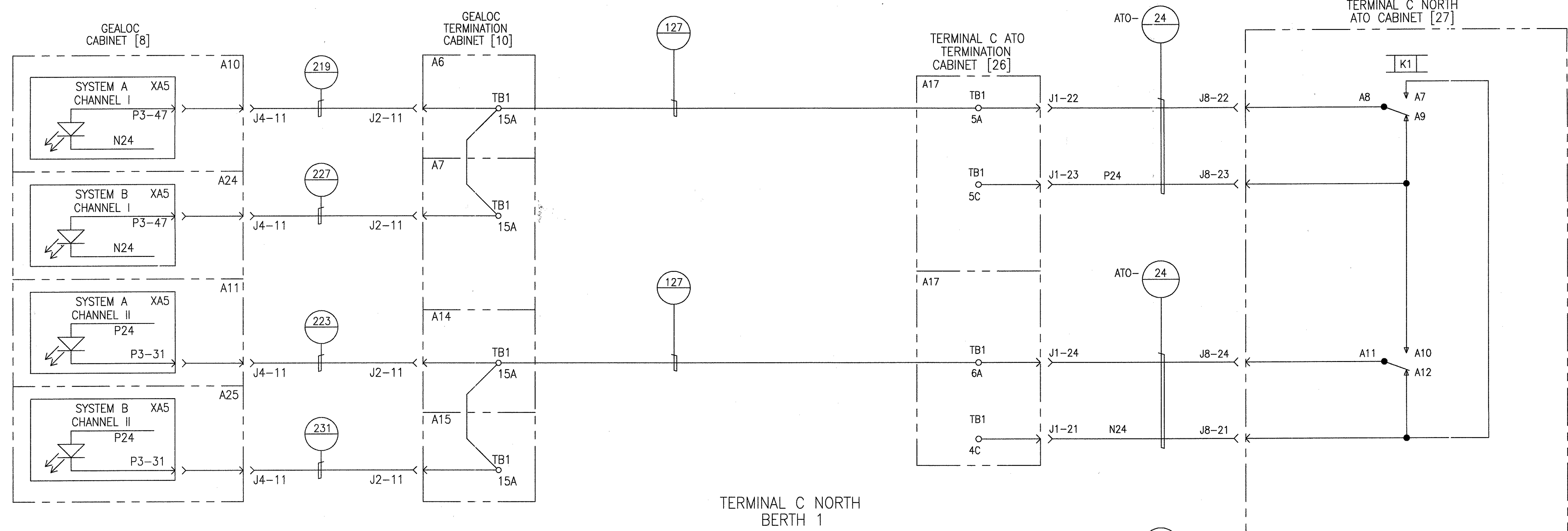
AutoCAD

GEOMETRIC CHARACTERISTIC SYMBOLS	
FLATNESS	
STRAIGHTNESS	
ROUNDNESS (CIRCULARITY)	
CYLINDRICITY	
PROFILE OF ANY LINE	
PROFILE OF ANY SURFACE	
PARALLELISM	
PERPENDICULARITY (SQUARENESS)	
ANGULARITY	
RUNOUT	
TRUE POSITION	
CONCENTRICITY	
SYMMETRY	
MAXIMUM MATERIAL CONDITION (MMC)	
REGARDLESS OF FEATURE SIZE	

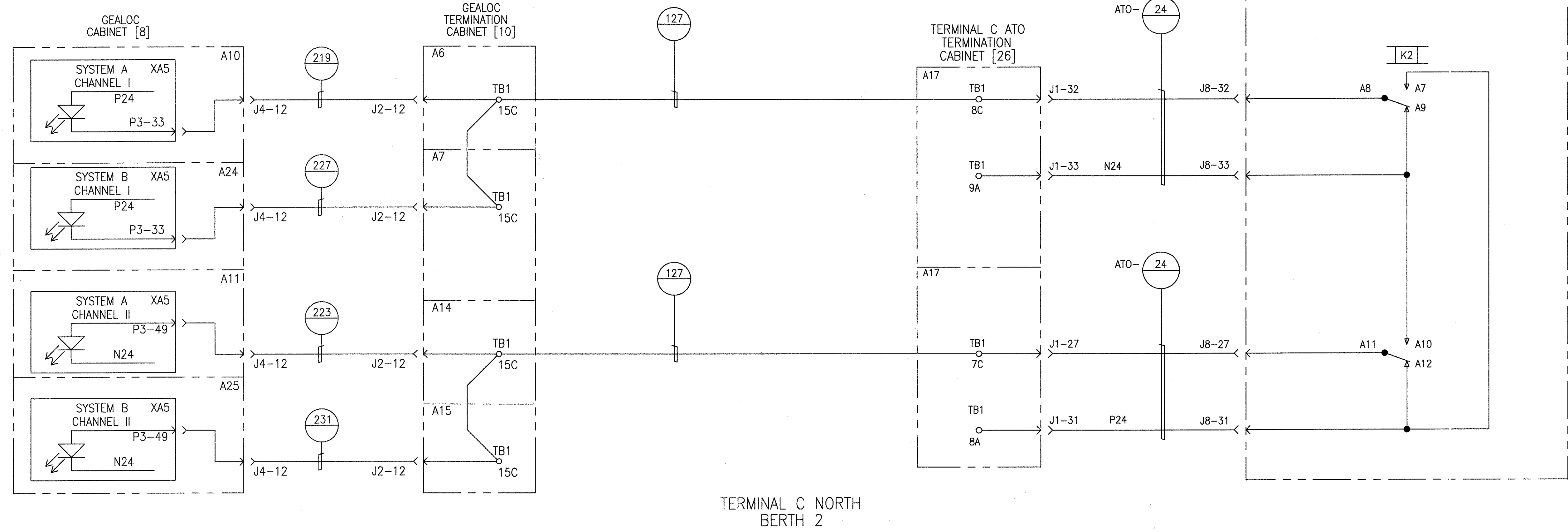
DFTM.	J. LYNKEY	DATE	1-30-98
CHKR.			
ENGRG.	K. RYAN		
MFG.			
APPD.			
DFTG. SUPV.	E.D. MATTY		

<b>BOMBARDIER</b>		
TITLE		
WAYSIDE SYSTEM SCHEMATIC		
GEORGE BUSH INTERCONTINENTAL AIRPORT-HOUSTON		
DIMENSIONS IN INCHES		
SIZE	DWG. NO.	REV.
D	5D81332	9
SCALE NONE	WT.	SHEET 152

© 2005 BOMBARDIER INC. OR ITS SUBSIDIARIES. ALL RIGHTS RESERVED.



TERMINAL C NORTH BERTH 1



TERMINAL C NORTH BERTH 2

TERMINAL C NORTH PRIME POWER

GEOMETRIC CHARACTERISTIC SYMBOLS	
FLATNESS	▭
STRAIGHTNESS	—
ROUNDNESS (CIRCULARITY)	○
CYLINDRICITY	⊘
PROFILE OF ANY LINE	⌒
PROFILE OF ANY SURFACE	⌒
PARALLELISM	∥
PERPENDICULARITY (SQUARENESS)	⊥
ANGULARITY	∠
RUNOUT	↻
TRUE POSITION	⊕
CONCENTRICITY	⊙
SYMMETRY	⊞
MAXIMUM MATERIAL CONDITION (MMC)	Ⓜ
REGARDLESS OF FEATURE SIZE	Ⓜ

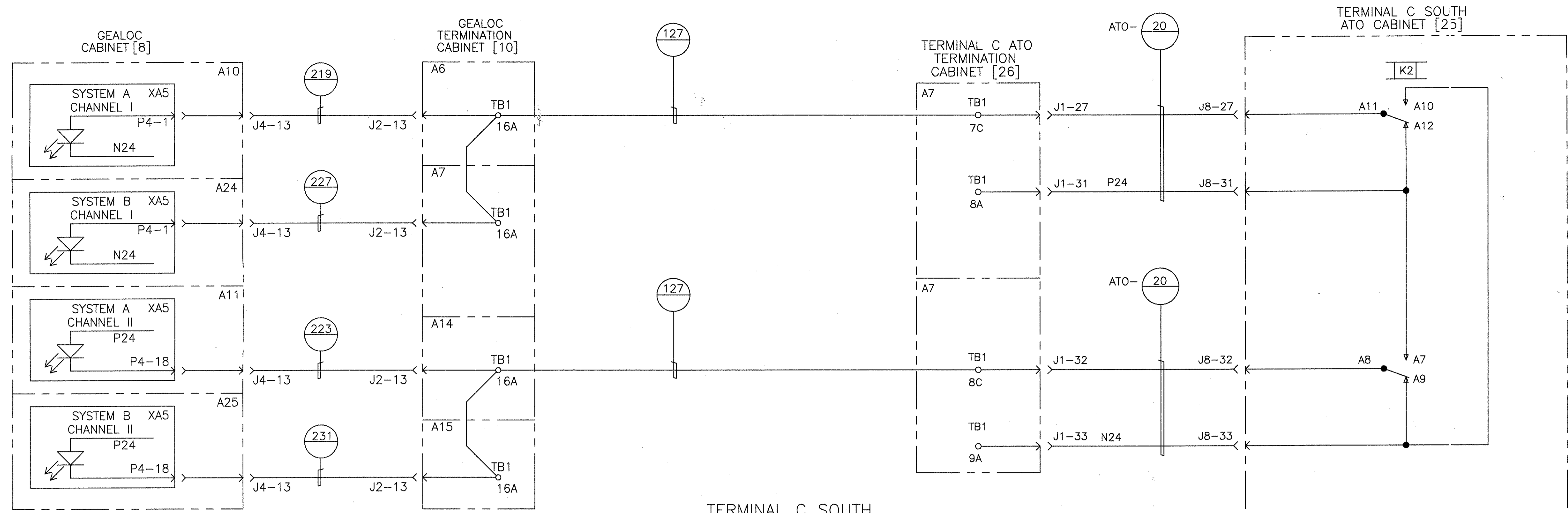
DFTM.	J. LYNKEY	DATE	3-7-98
CHKR.			
ENGRG.	K. RYAN		
MFG.			
APPD.			
DFTG. SUPV.	E.D. MATTY		

<b>BOMBARDIER</b>	
TITLE WAYSIDE SYSTEM SCHEMATIC	
GEORGE BUSH INTERCONTINENTAL AIRPORT-HOUSTON	
DIMENSIONS IN INCHES	
SIZE	D
DWG. NO.	5D81332
REV.	9
SCALE	NONE
WT.	
SHEET	153

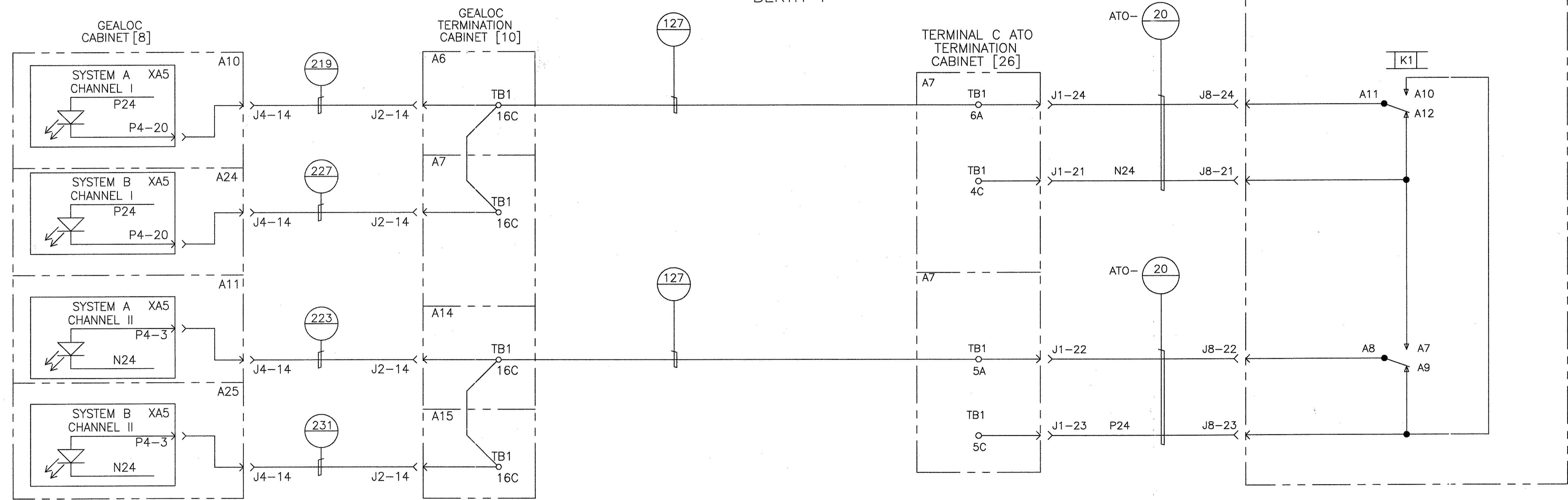
PROPRIETARY INFORMATION - SEE SHEET 1

AutoCAD

REV. 1 2 3 4 5 6 7 8 9 10 11



TERMINAL C SOUTH BERTH 1



TERMINAL C SOUTH BERTH 2

TERMINAL C SOUTH PRIME POWER

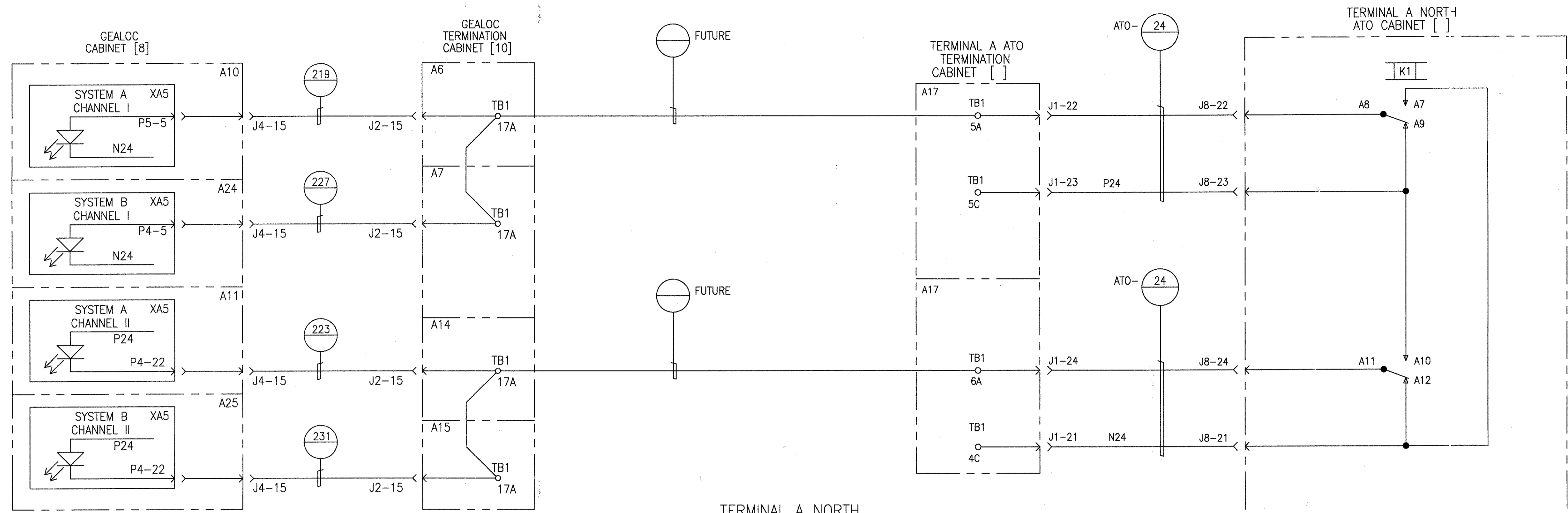
GEOMETRIC CHARACTERISTIC SYMBOLS	
FLATNESS	□
STRAIGHTNESS	—
ROUNDNESS (CIRCULARITY)	○
CYLINDRICITY	∅
PROFILE OF ANY LINE	—
PROFILE OF ANY SURFACE	—
PARALLELISM	∥
PERPENDICULARITY (SQUARENESS)	⊥
ANGULARITY	∠
RUNOUT	⊖
TRUE POSITION	⊕
CONCENTRICITY	⊙
SYMMETRY	⊞
MAXIMUM MATERIAL CONDITION (MMC)	Ⓜ
REGARDLESS OF FEATURE SIZE	Ⓜ

DFTM. J. LYSKEY	DATE 3-7-98
ENGRG. K. RYAN	
APPD.	
DFTG. \$UPV. E.D. MATTY	

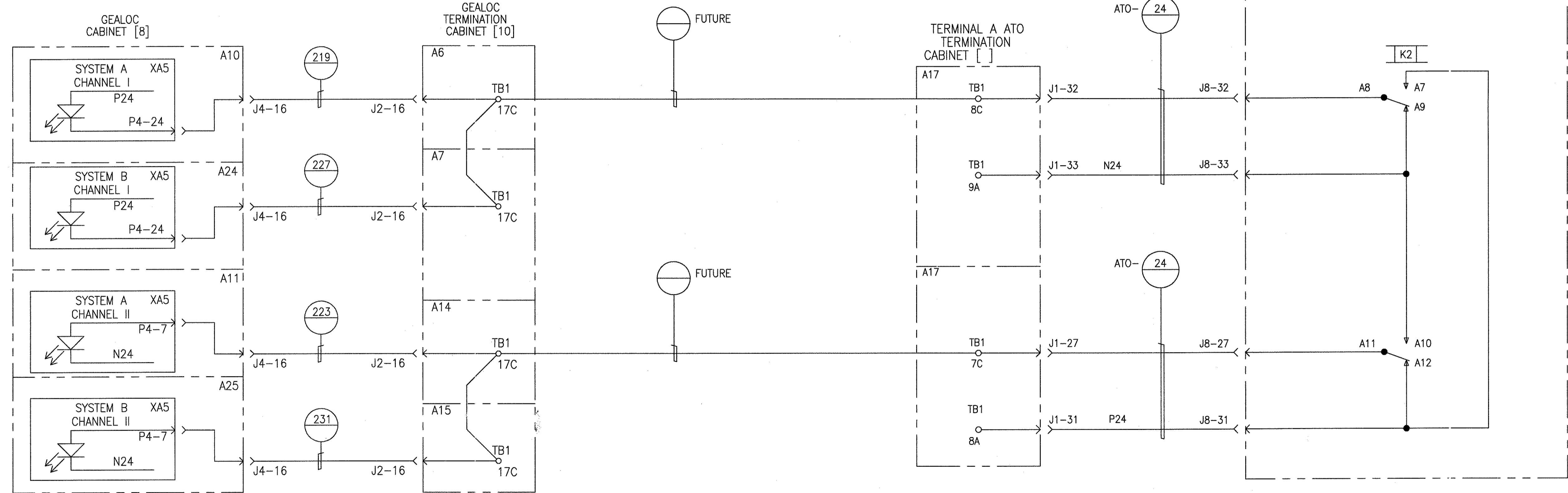
<b>BOMBARDIER</b>	
TITLE WAYSIDE SYSTEM SCHEMATIC	
GEORGE BUSH INTERCONTINENTAL AIRPORT-HOUSTON	
DIMENSIONS IN INCHES	
SIZE D	DWG. NO. 5D81332
SCALE NONE	WT.
SHEET 154	REV. 9

PROPRIETARY INFORMATION - SEE SHEET 1

AutoCAD



TERMINAL A NORTH BERTH 1



TERMINAL A NORTH BERTH 2

TERMINAL A NORTH PRIME POWER

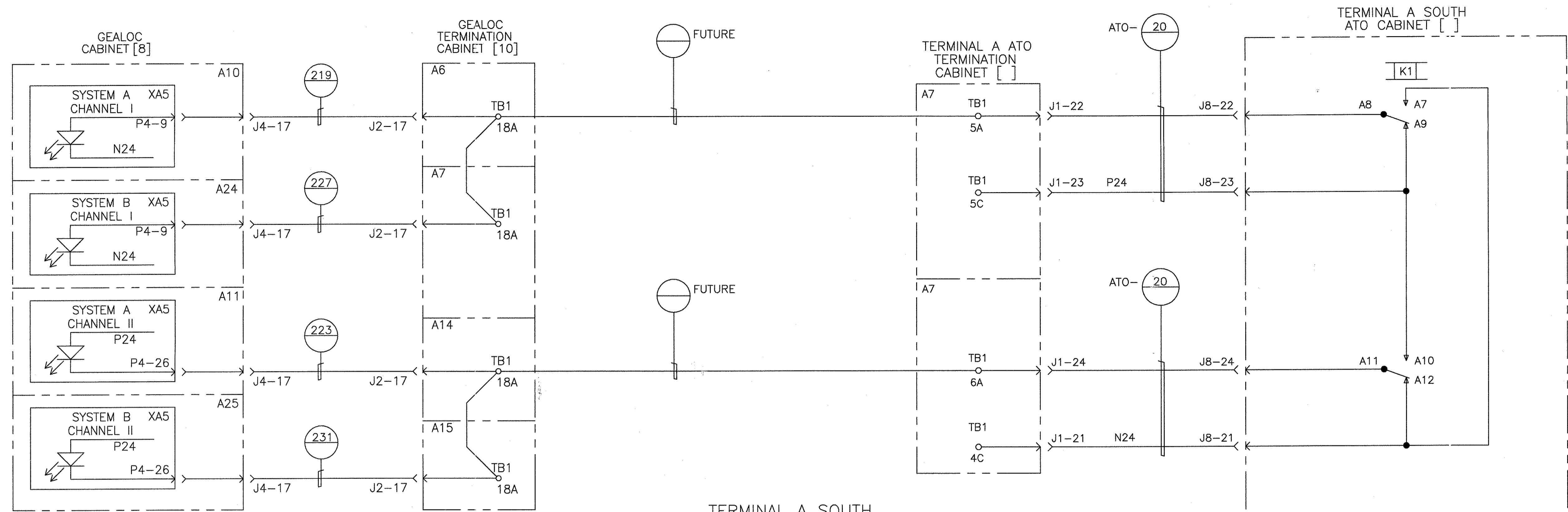
GEOMETRIC CHARACTERISTIC SYMBOLS	
FLATNESS	▭
STRAIGHTNESS	—
ROUNDNESS (CIRCULARITY)	○
CYLINDRICITY	⊘
PROFILE OF ANY LINE	⊖
PROFILE OF ANY SURFACE	⊖
PARALLELISM	∥
PERPENDICULARITY (SQUARENESS)	⊥
ANGULARITY	∠
RUNOUT	↻
TRUE POSITION	⊕
CONCENTRICITY	⊙
SYMMETRY	⊞
MAXIMUM MATERIAL CONDITION (MMC)	Ⓜ
REGARDLESS OF FEATURE SIZE	Ⓜ

DFTM.	J. LYSKEY	DATE	3-7-98
CHKR.			
ENGRG.	K. RYAN		
MFG.			
APPD.			
DFTG. SUPV.	E.D. MATTY		

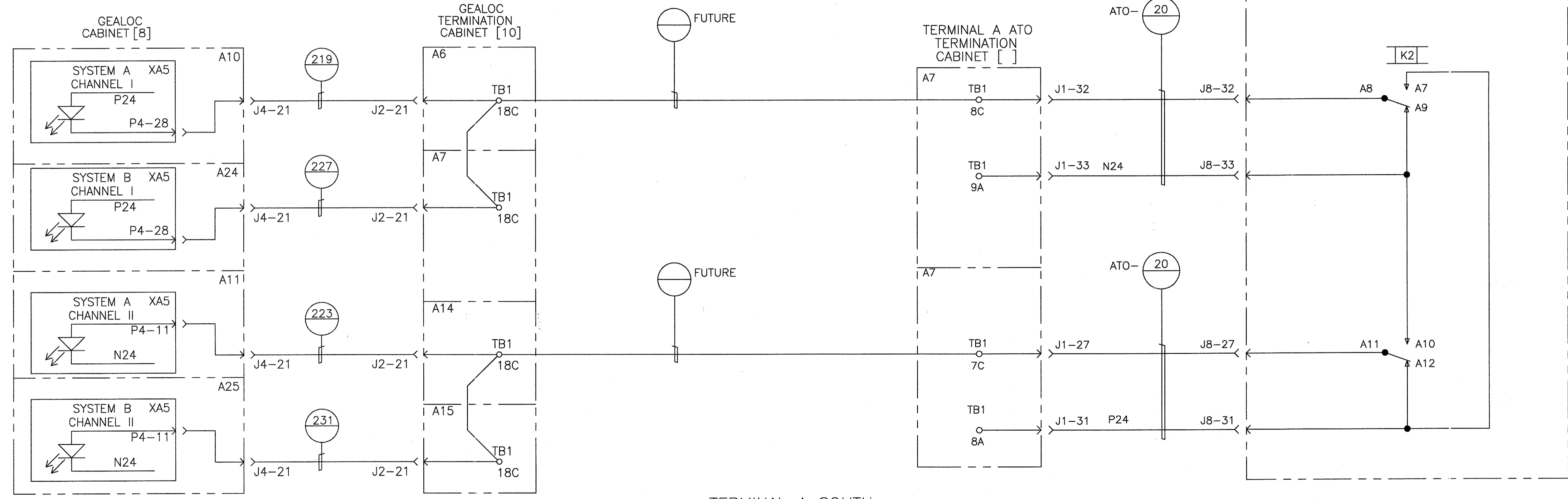
<b>BOMBARDIER</b>	
TITLE WAYSIDE SYSTEM SCHEMATIC	
GEORGE BUSH INTERCONTINENTAL AIRPORT-HOUSTON	
DIMENSIONS IN INCHES	
SIZE	DWG. NO.
D	5D81332
SCALE NONE	WT.
SHEET	155
REV.	9

PROPRIETARY INFORMATION - SEE SHEET 1

AutoCAD



TERMINAL A SOUTH BERTH 1



TERMINAL A SOUTH BERTH 2

TERMINAL A SOUTH PRIME POWER

GEOMETRIC CHARACTERISTIC SYMBOLS	
FLATNESS	▭
STRAIGHTNESS	—
ROUNDNESS (CIRCULARITY)	○
CYLINDRICITY	⊘
PROFILE OF ANY LINE	⌒
PROFILE OF ANY SURFACE	⌒
PARALLELISM	∥
PERPENDICULARITY (SQUARENESS)	⊥
ANGULARITY	∠
RUNOUT	⊖
TRUE POSITION	⊕
CONCENTRICITY	⊙
SYMMETRY	≡
MAXIMUM MATERIAL CONDITION (MMC)	Ⓜ
REGARDLESS OF FEATURE SIZE	Ⓜ

DFTM.	J. LYNKEY	DATE	3-7-98
CHKR.			
ENGRG.	K. R'AN		
MFG.			
APPD.			
DFTG. SUPV.	E.D. MATTY		

<b>BOMBARDIER</b>	
TITLE WAYSIDE SYSTEM SCHEMATIC	
GEORGE BUSH INTERCONTINENTAL AIRPORT-HOUSTON	
DIMENSIONS IN INCHES	
SIZE	DWG. NO.
D	5D81332
SCALE NONE	WT.
SHEET	156
REV.	9

PROPRIETARY INFORMATION - SEE SHEET 1

AutoCAD



THIS SHEET INTENTIONALLY LEFT BLANK

GEOMETRIC CHARACTERISTIC SYMBOLS	
FLATNESS	
STRAIGHTNESS	
ROUNDNESS (CIRCULARITY)	
CYLINDRICITY	
PROFILE OF ANY LINE	
PROFILE OF ANY SURFACE	
PARALLELISM	
PERPENDICULARITY (SQUARENESS)	
ANGULARITY	
RUNOUT	
TRUE POSITION	
CONCENTRICITY	
SYMMETRY	
MAXIMUM MATERIAL CONDITION (MMC) REGARDLESS OF FEATURE SIZE	

DFTM.	DATE
J. LYNKEY	3-7-98
CHKR.	
ENGRG.	
K. RYAN	
MFG.	
APPD.	
DFTG. SUPV.	
E.D. MATTY	

BOMBARDIER		
TITLE WAYSIDE SYSTEM SCHEMATIC		
GEORGE BUSH INTERCONTINENTAL AIRPORT-HOUSTON		
DIMENSIONS IN INCHES		
SIZE	DWG. NO.	REV.
D	5D81332	9
SCALE NONE	WT.	SHEET 157

PROPRIETARY INFORMATION - SEE SHEET 1

AutoCAD

THIS SHEET INTENTIONALLY LEFT BLANK

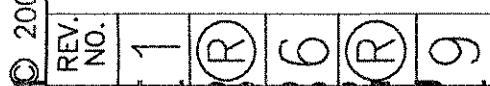
GEOMETRIC CHARACTERISTIC SYMBOLS	
FLATNESS	
STRAIGHTNESS	
ROUNDNESS (CIRCULARITY)	
CYLINDRICITY	
PROFILE OF ANY LINE	
PROFILE OF ANY SURFACE	
PARALLELISM	
PERPENDICULARITY (SQUARENESS)	
ANGULARITY	
RUNOUT	
TRUE POSITION	
CONCENTRICITY	
SYMMETRY	
MAXIMUM MATERIAL CONDITION (MMC)	
REGARDLESS OF FEATURE SIZE	

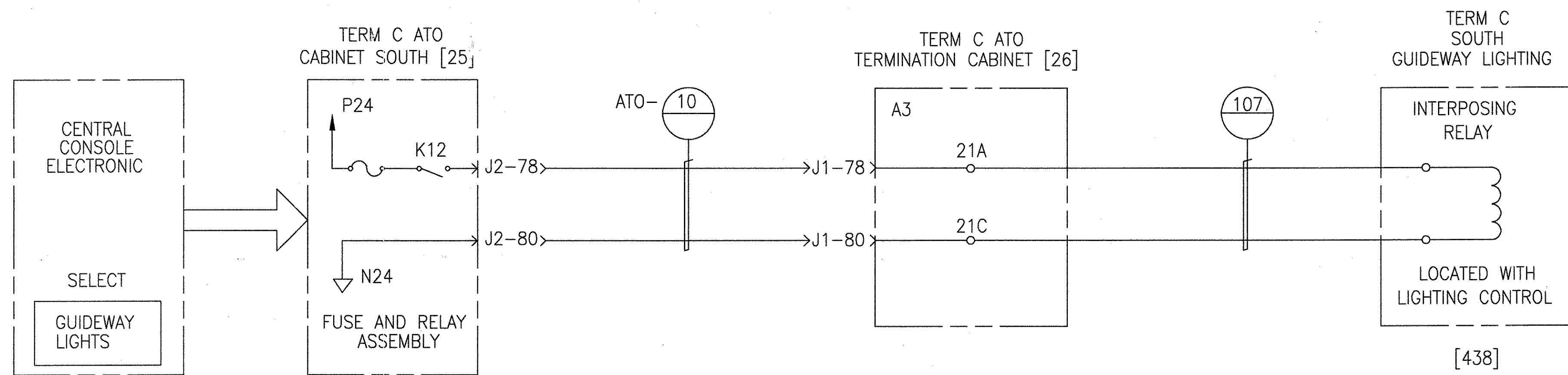
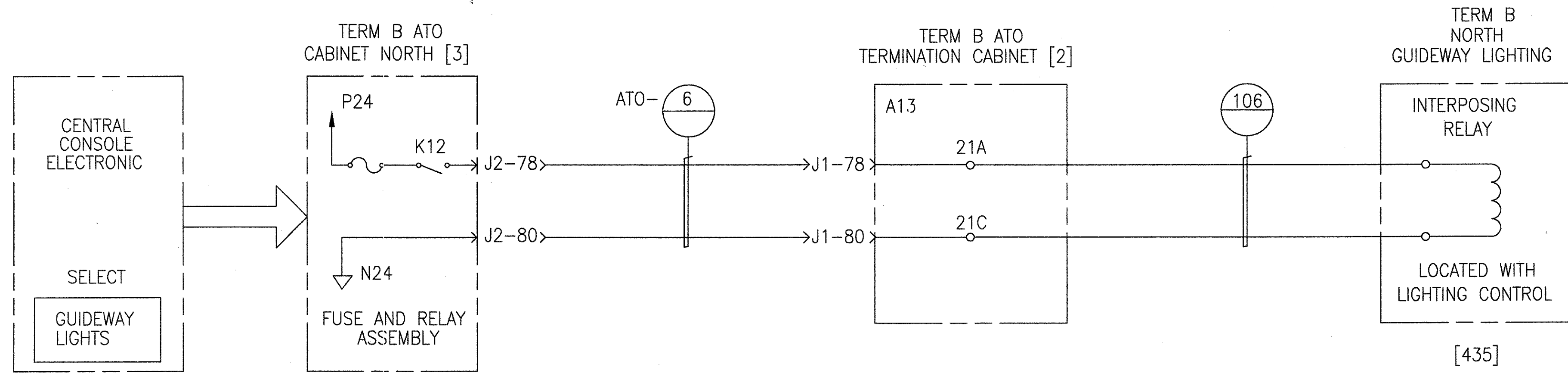
DFTM.	J. LYSKEY	DATE	3-7-98
CHKR.			
ENGRG.	K. RYAN		
MFG.			
APPD.			
DFTG. SUPV.	E.D. MATTY		

<b>BOMBARDIER</b>		
TITLE		
WAYSIDE SYSTEM SCHEMATIC		
GEORGE BUSH INTERCONTINENTAL AIRPORT-HOUSTON		
DIMENSIONS IN INCHES		
SIZE	DWG. NO.	REV.
D	5D81332	9
SCALE NONE	WT.	SHEET 158

PROPRIETARY INFORMATION - SEE SHEET 1

AutoCAD





GUIDEWAY LIGHTING CONTROL

GEOMETRIC CHARACTERISTIC SYMBOLS	
FLATNESS	▭
STRAIGHTNESS	—
ROUNDNESS (CIRCULARITY)	○
CYLINDRICITY	⊘
PROFILE OF ANY LINE	⌒
PROFILE OF ANY SURFACE	⌒
PARALLELISM	∥
PERPENDICULARITY (SQUARENESS)	⊥
ANGULARITY	∠
RUNOUT	↻
TRUE POSITION	⊕
CONCENTRICITY	⊙
SYMMETRY	⊞
MAXIMUM MATERIAL CONDITION (MMC)	Ⓜ
REGARDLESS OF FEATURE SIZE	Ⓜ

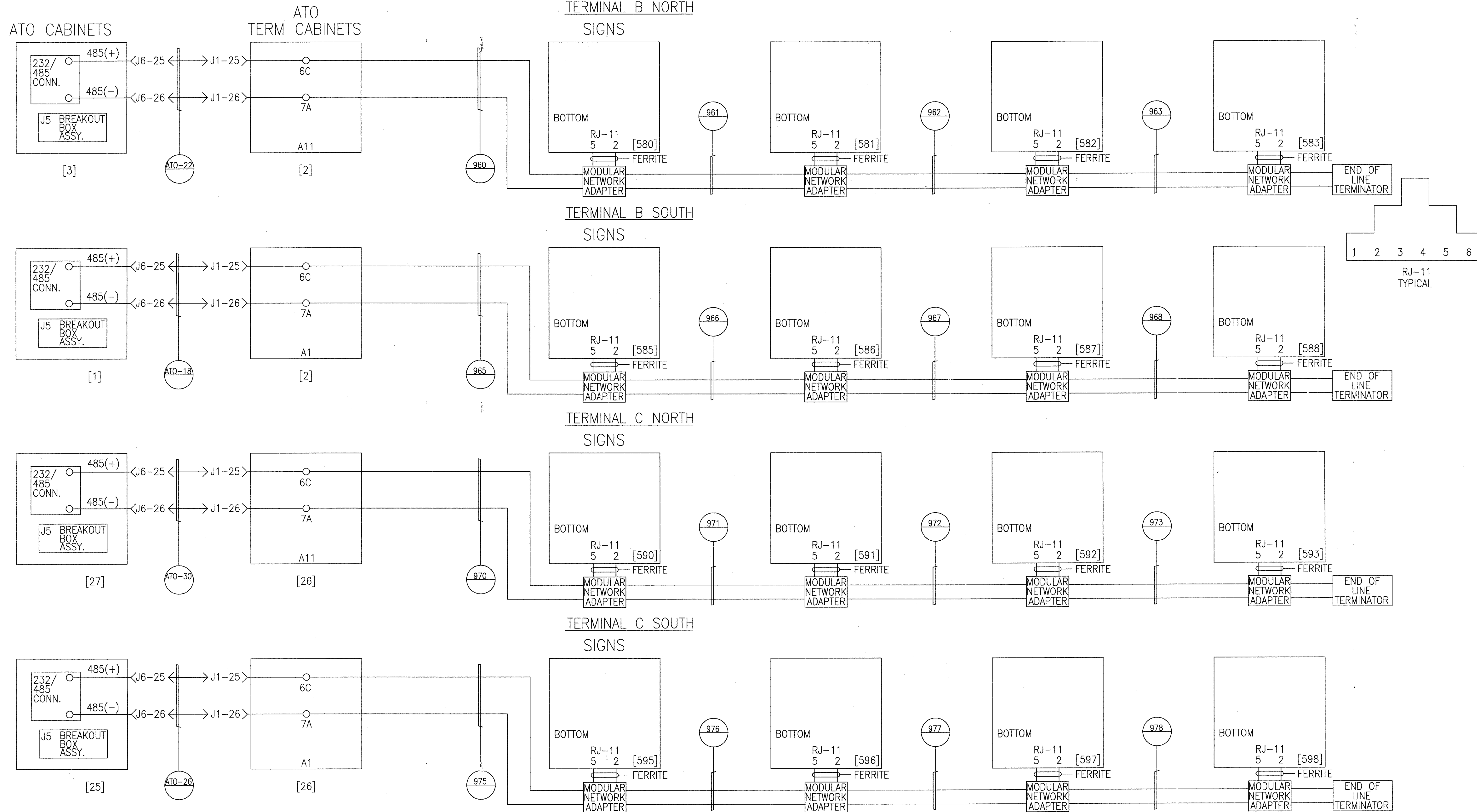
DRFTM.	DATE
CHKR.	
ENGRG.	
MFG.	
APPD.	
DFTG. SUPV.	

<b>BOMBARDIER</b>	
TITLE WAYSIDE SYSTEM SCHEMATIC	
GEORGE BUSH INTERCONTINENTAL AIRPORT-HOUSTON	
DIMENSIONS IN INCHES	
SIZE D	DWG. NO. 5D81332
SCALE NONE	WT.
SHEET 159	REV. 9

PROPRIETARY INFORMATION - SEE SHEET 1

AutoCAD

© 2005 BOMBARDIER INC. OR ITS SUBSIDIARIES. ALL RIGHTS RESERVED.



HOUSTON SIGNAGE OVER PASSENGER DOOR OPENINGS

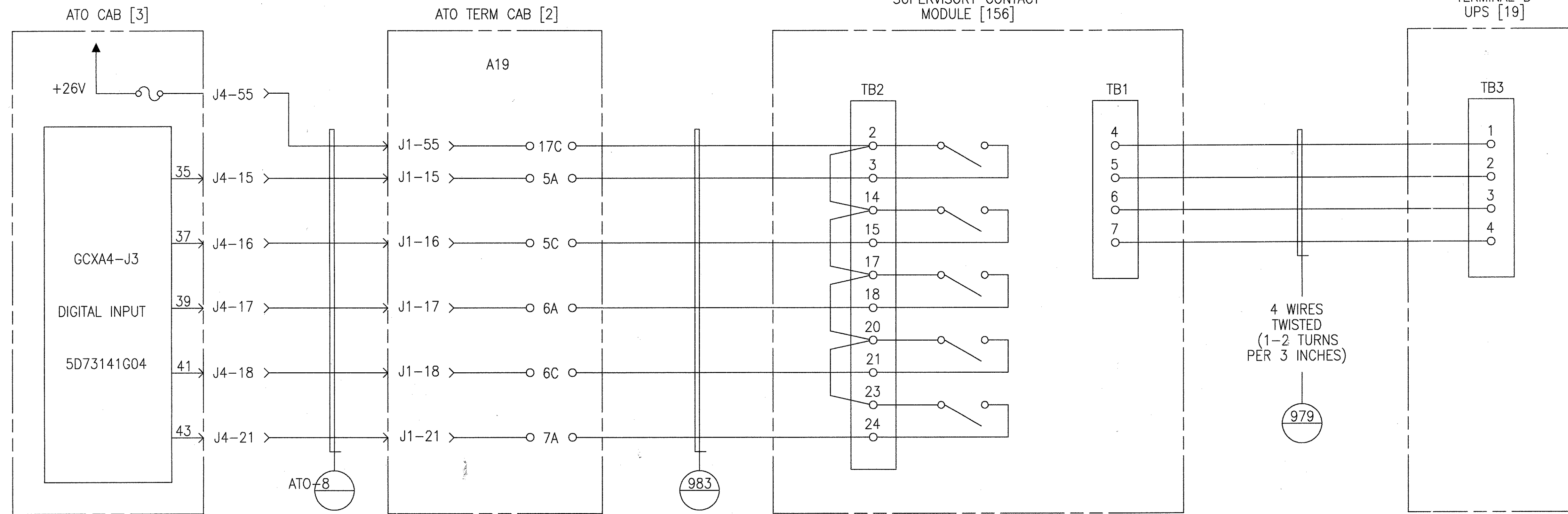
PROPRIETARY INFORMATION - SEE SHEET 1

AutoCAD

GEOMETRIC CHARACTERISTIC SYMBOLS		DFTM.		DATE		BOMBARDIER	
FLATNESS	▭	CHKR.				TITLE	WAYSIDE SYSTEM SCHEMATIC
STRAIGHTNESS	—	ENGRG.				GEORGE BUSH INTERCONTINENTAL AIRPORT-HOUSTON	
ROUNDNESS (CIRCULARITY)	○	MFG.				DIMENSIONS IN INCHES	
CYLINDRICITY	⊘	APPD.				SIZE	DWG. NO. 5D81332
PROFILE OF ANY LINE	⌒	DFTG. SUPV.				SCALE NONE	WT.
PROFILE OF ANY SURFACE	⌒					SHEET	160
PARALLELISM	∥						
PERPENDICULARITY (SQUARENESS)	⊥						
ANGULARITY	∠						
RUNOUT	⊖						
TRUE POSITION	⊕						
CONCENTRICITY	⊙						
SYMMETRY	⊞						
MAXIMUM MATERIAL CONDITION (MMC)	Ⓜ						
REGARDLESS OF FEATURE SIZE	Ⓜ						

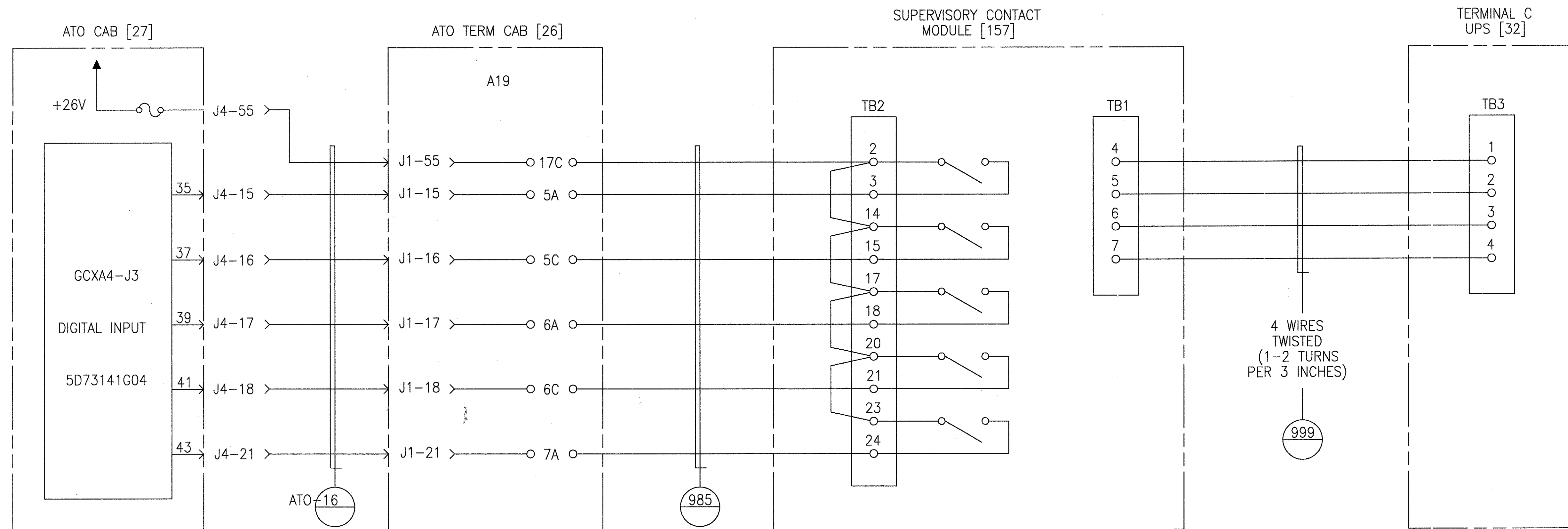
TERM B  
UPS ALARMS

SYSTEM NORMAL  
ON BATTERY  
ALARM  
ON BYPASS  
SHUT DOWN IMMINENT



TERM C  
UPS ALARMS

SYSTEM NORMAL  
ON BATTERY  
ALARM  
ON BYPASS  
SHUT DOWN IMMINENT



UPS ALARMS

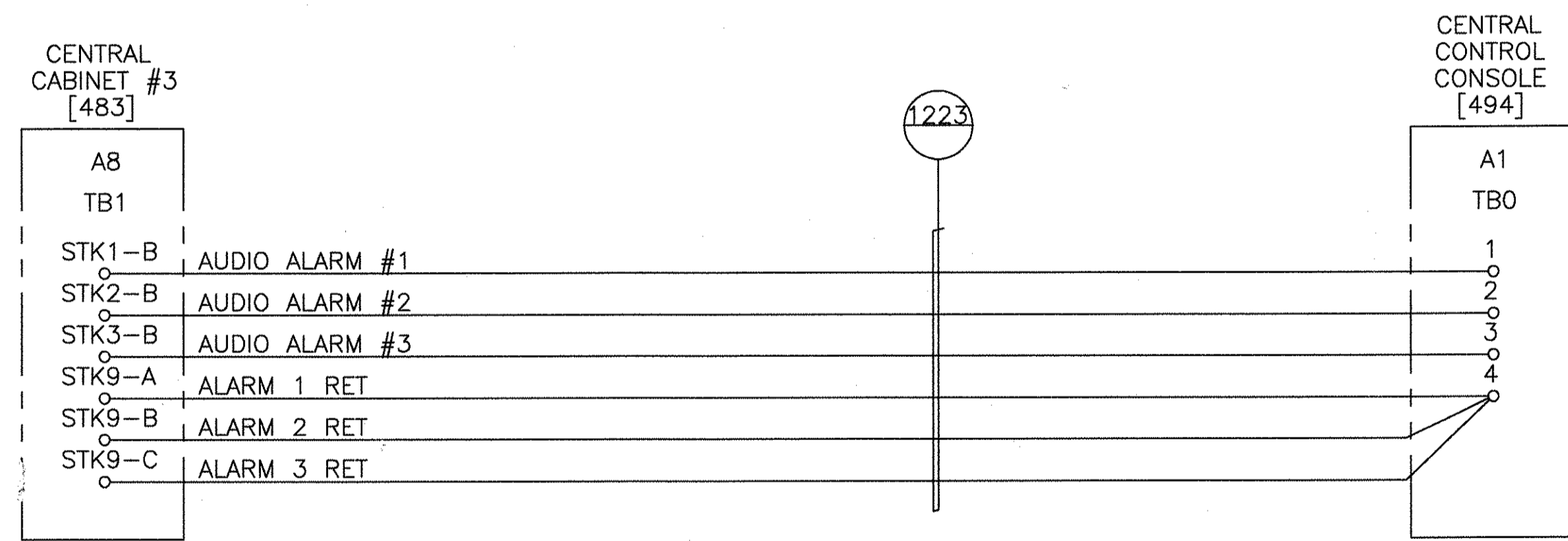
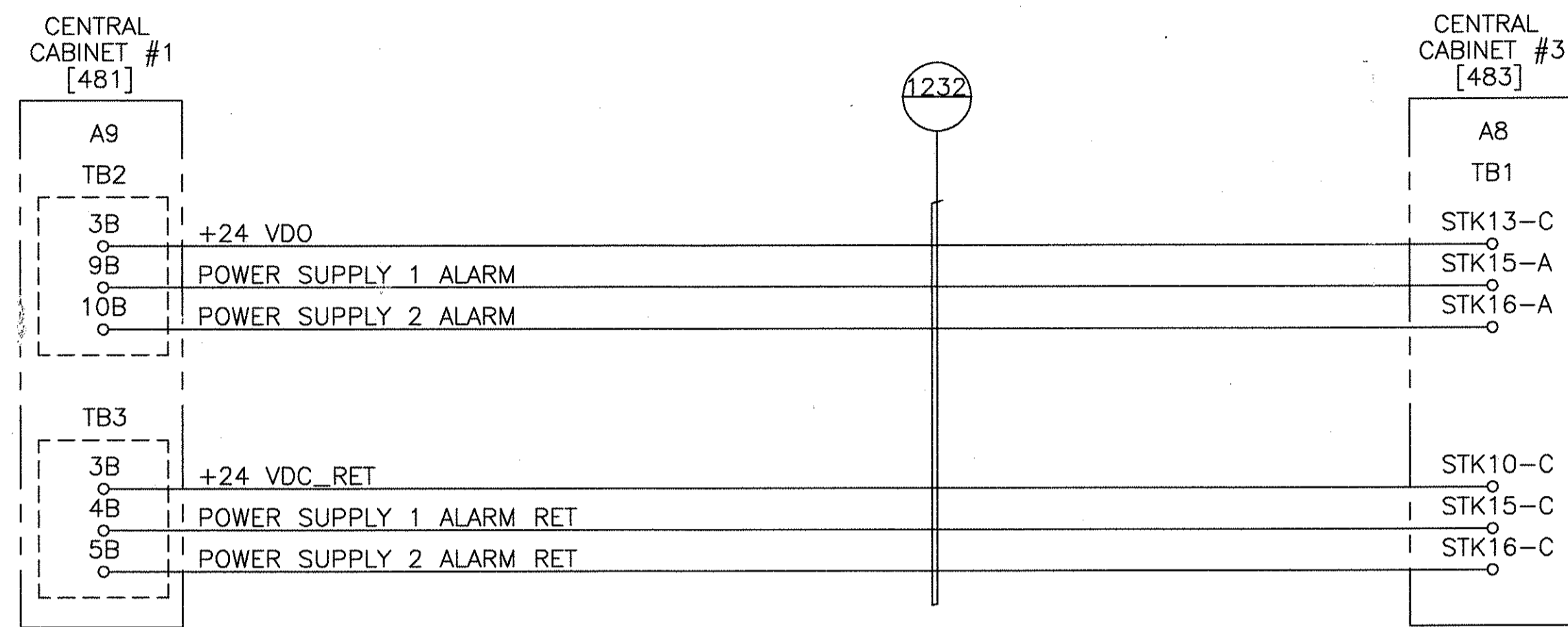
GEOMETRIC CHARACTERISTIC SYMBOLS	
FLATNESS	▭
STRAIGHTNESS	—
ROUNDNESS (CIRCULARITY)	○
CYLINDRICITY	⊘
PROFILE OF ANY LINE	⌒
PROFILE OF ANY SURFACE	⌒
PARALLELISM	∥
PERPENDICULARITY (SQUARENESS)	⊥
ANGULARITY	∠
RUNOUT	⊖
TRUE POSITION	⊕
CONCENTRICITY	⊙
SYMMETRY	⊞
MAXIMUM MATERIAL CONDITION (MMC)	Ⓜ
REGARDLESS OF FEATURE SIZE	Ⓜ

DFTM.	DATE
CHKR.	
ENGRG.	
MFG.	
APPD.	
DFTG: UPV.	16/2

BOMBARDIER			
TITLE: WAYSIDE SYSTEM SCHEMATIC			
GEORGE BUSH INTERCONTINENTAL AIRPORT-HOUSTON			
DIMENSIONS IN INCHES			
SIZE: D	DWG. NO.: 5D81332	REV.: 9	
SCALE: NONE	WT.	SHEET: 161	

PROPRIETARY INFORMATION - SEE SHEET 1

AutoCAD



CENTRAL AUDIO ALARMS 1-2-3

PROPRIETARY INFORMATION - SEE SHEET 1

AutoCAD

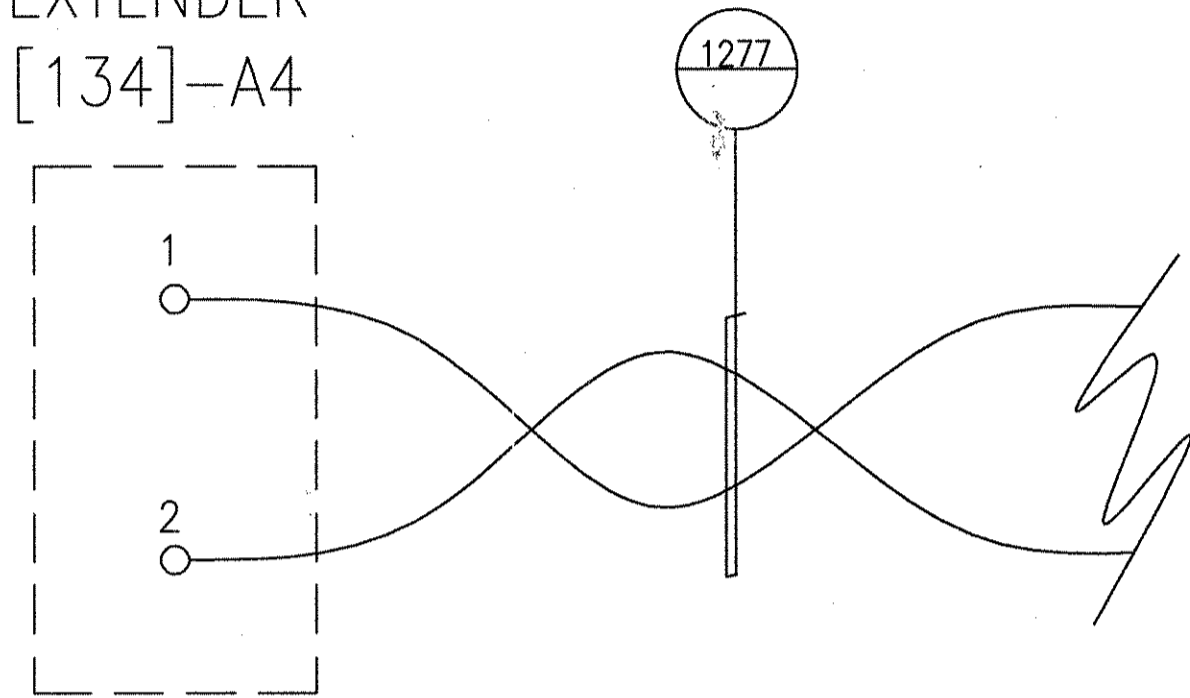
GEOMETRIC CHARACTERISTIC SYMBOLS	
FLATNESS	▭
STRAIGHTNESS	—
ROUNDNESS (CIRCULARITY)	○
CYLINDRICITY	⊘
PROFILE OF ANY LINE	⌒
PROFILE OF ANY SURFACE	⌒
PARALLELISM	∥
PERPENDICULARITY (SQUARENESS)	⊥
ANGULARITY	∠
RUNOUT	↻
TRUE POSITION	⊕
CONCENTRICITY	⊙
SYMMETRY	⊞
MAXIMUM MATERIAL CONDITION (MMC)	Ⓜ
REGARDLESS OF FEATURE SIZE	Ⓛ

DFTM.	DATE
CHKR.	
ENGRG.	
MFG.	
APPD.	
DFTG. SUPV.	

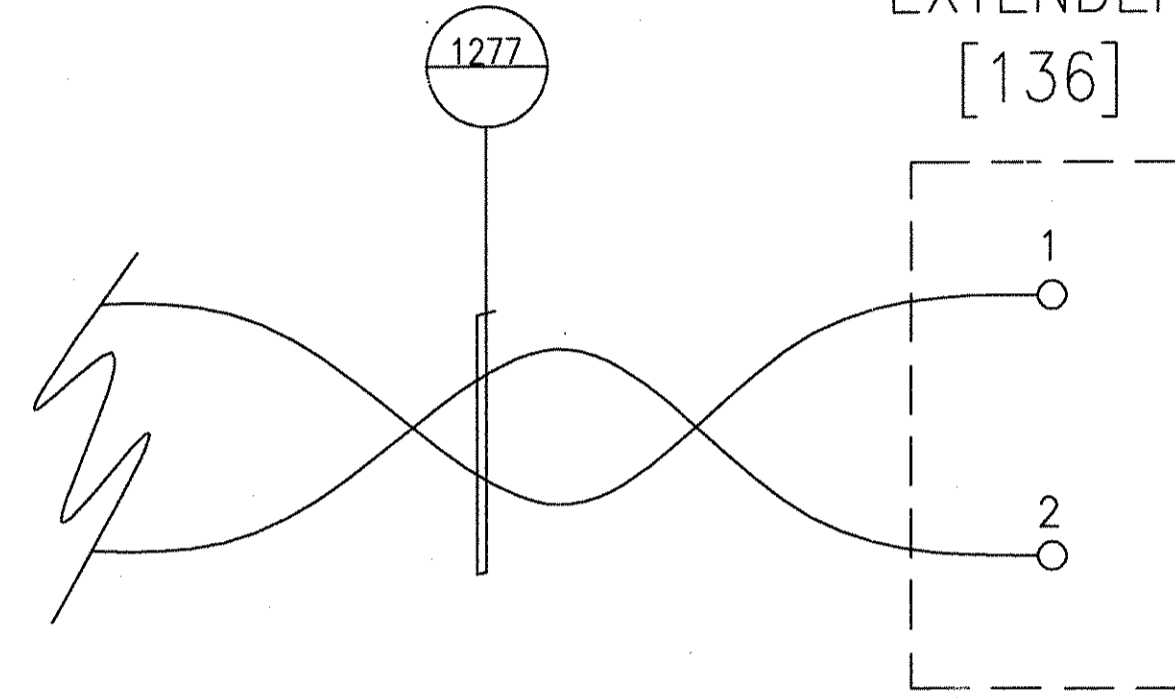
<b>BOMBARDIER</b>	
TITLE WAYSIDE SYSTEM SCHEMATIC	
GEORGE BUSH INTERCONTINENTAL AIRPORT-HOUSTON	
DIMENSIONS IN INCHES	
SIZE <b>D</b>	DWG. NO. <b>5D81332</b>
SCALE NONE	WT.
SHEET 162	REV. <b>9</b>

© 2005, BOMBARDIER INC. OR ITS SUBSIDIARIES. ALL RIGHTS RESERVED.

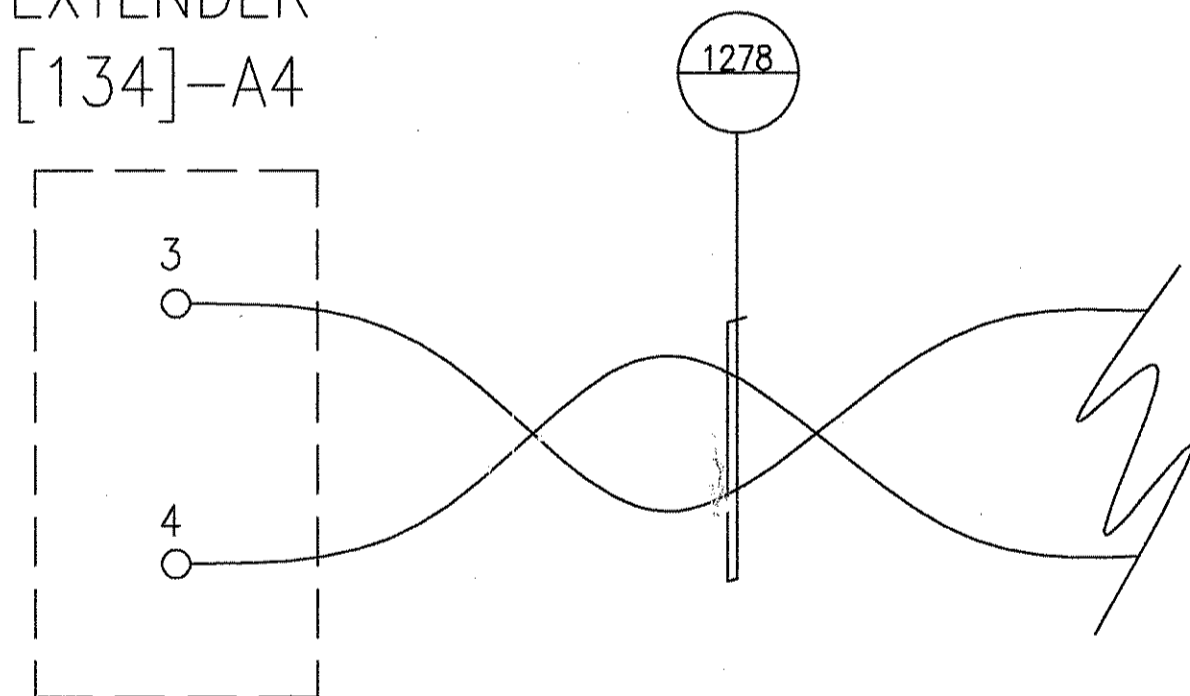
MAINTENANCE  
COMPUTER  
PARALLEL  
EXTENDER  
[134]-A4



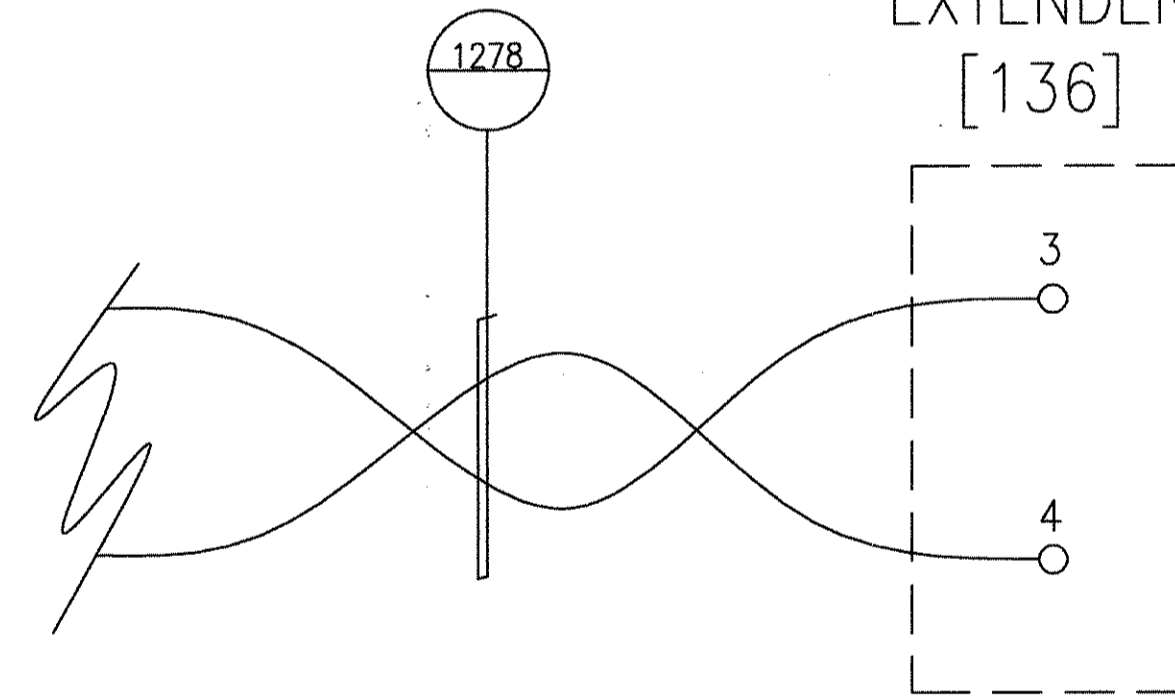
LINE  
PRINTER  
PARALLEL  
EXTENDER  
[136]



MAINTENANCE  
COMPUTER  
PARALLEL  
EXTENDER  
[134]-A4



LINE  
PRINTER  
PARALLEL  
EXTENDER  
[136]



MAINT. COMPUTER-LINE PRINTER

PROPRIETARY INFORMATION - SEE SHEET 1

AutoCAD

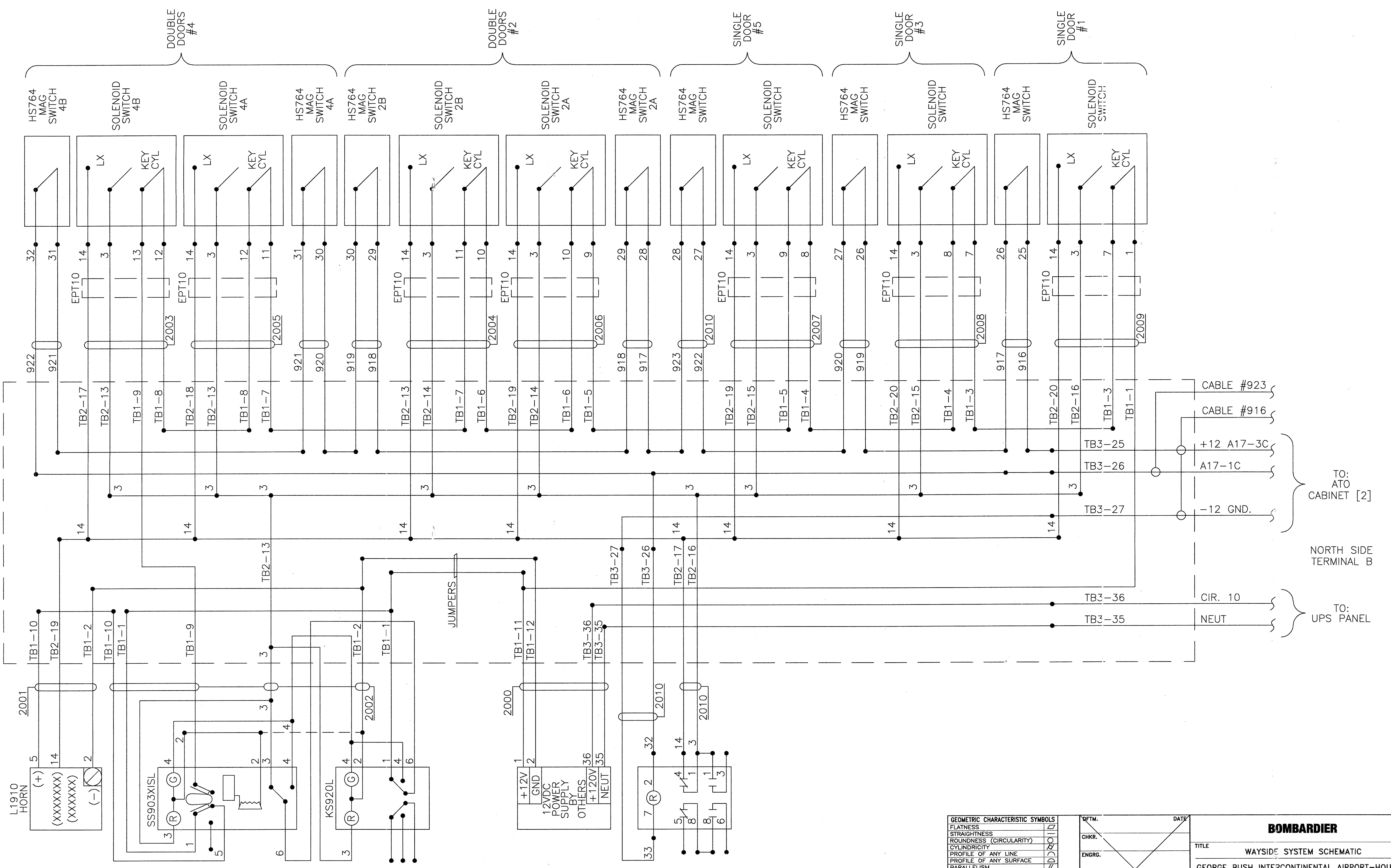
GEOMETRIC CHARACTERISTIC SYMBOLS	
FLATNESS	⏊
STRAIGHTNESS	— —
ROUNDNESS (CIRCULARITY)	⊘
CYLINDRICITY	⊘
PROFILE OF ANY LINE	⊘
PROFILE OF ANY SURFACE	⊘
PARALLELISM	∥
PERPENDICULARITY (SQUARENESS)	⊥
ANGULARITY	∠
RUNOUT	⊘
TRUE POSITION	⊕
CONCENTRICITY	⊕
SYMMETRY	⊕
MAXIMUM MATERIAL CONDITION (MMC)	Ⓜ
REGARDLESS OF FEATURE SIZE	Ⓜ

DATE	
DRFTM.	
CHKR.	
ENGRG.	
MFG.	
APPD.	
DFTG. & UPV.	

<b>BOMBARDIER</b>		
TITLE		
WAYSIDE SYSTEM SCHEMATIC		
GEORGE BUSH INTERCONTINENTAL AIRPORT-HOUSTON		
DIMENSIONS IN INCHES		
SIZE	DWG. NO.	REV.
D	5D81332	9
SCALE NONE	WT.	SHEET 163

© 2005, BOMBARDIER INC. OR ITS SUBSIDIARIES. ALL RIGHTS RESERVED.

[443] JUNCTION BOX



PROPRIETARY INFORMATION - SEE SHEET 1

AutoCAD

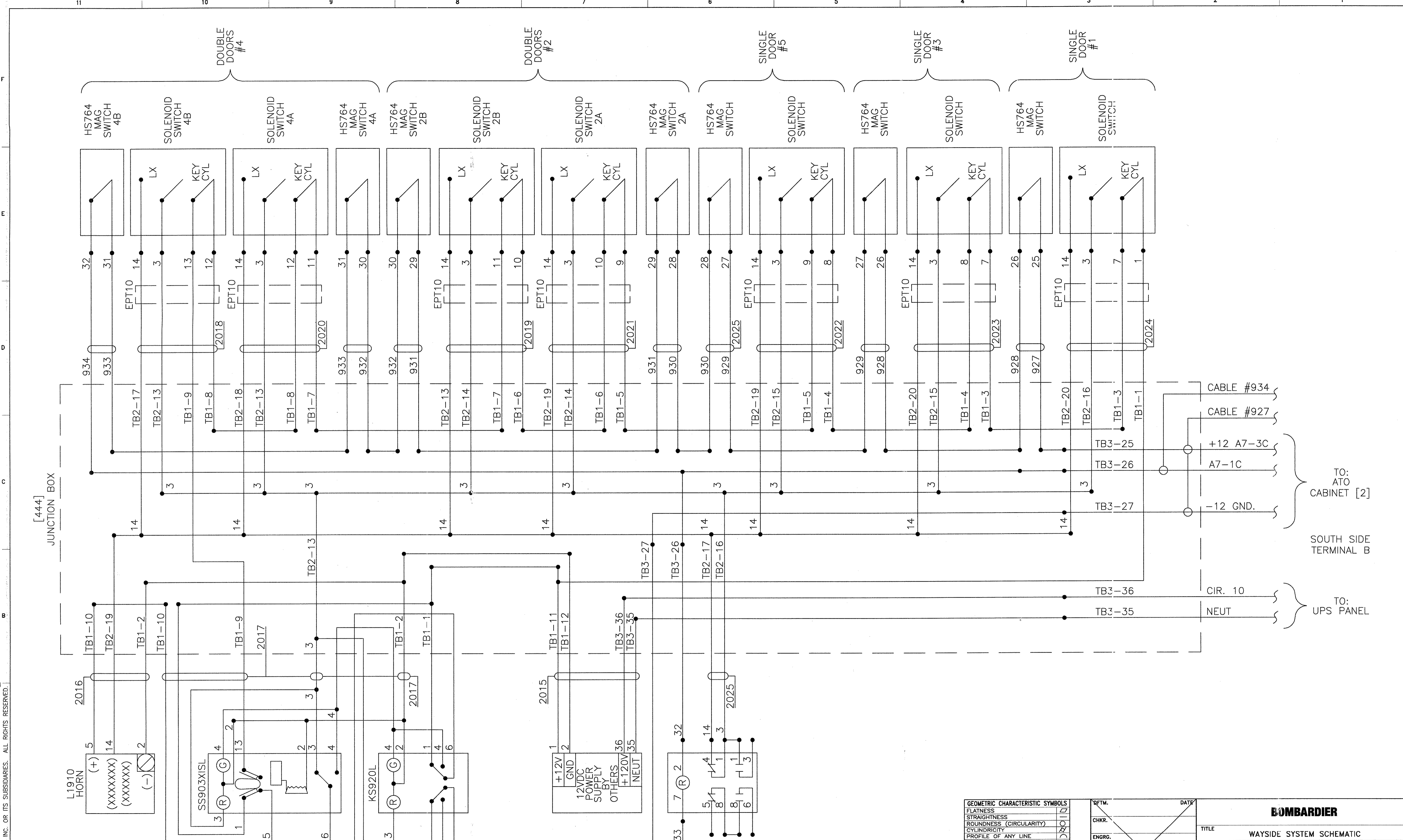
STATION B NORTH EMERGENCY DOOR CLOSED & LOCKED ALARM CIRCUIT

GEOMETRIC CHARACTERISTIC SYMBOLS	
FLATNESS	⊥
STRAIGHTNESS	—
ROUNDNESS (CIRCULARITY)	⊘
CYLINDRICITY	⊘
PROFILE OF ANY LINE	—
PROFILE OF ANY SURFACE	—
PARALLELISM	∥
PERPENDICULARITY (SQUARENESS)	⊥
ANGULARITY	∠
RUNOUT	⊖
TRUE POSITION	⊕
CONCENTRICITY	⊕
SYMMETRY	⊕
MAXIMUM MATERIAL CONDITION (MMC)	Ⓜ
REGARDLESS OF FEATURE SIZE	Ⓜ

REF. DWG.	DATE
CHKR.	
ENGRG.	
MFG.	
APPD.	
DFTG. SUPV.	

<b>BOMBARDIER</b>	
TITLE WAYSIDE SYSTEM SCHEMATIC	
GEORGE BUSH INTERCONTINENTAL AIRPORT-HOUSTON	
DIMENSIONS IN INCHES	
SIZE <b>D</b>	DWG. NO. <b>5D81332</b>
SCALE NONE	WT.
SHEET 164	REV. <b>9</b>





PROPRIETARY INFORMATION - SEE SHEET 1

STATION B SOUTH EMERGENCY DOOR CLOSED & LOCKED ALARM CIRCUIT

GEOMETRIC CHARACTERISTIC SYMBOLS	
FLATNESS	□
STRAIGHTNESS	—
ROUNDNESS (CIRCULARITY)	○
CYLINDRICITY	○
PROFILE OF ANY LINE	—
PROFILE OF ANY SURFACE	—
PARALLELISM	
PERPENDICULARITY (SQUARENESS)	⊥
ANGULARITY	∠
RUNOUT	⊖
TRUE POSITION	⊕
CONCENTRICITY	⊙
SYMMETRY	⊞
MAXIMUM MATERIAL CONDITION (MMC)	Ⓜ
REGARDLESS OF FEATURE SIZE	Ⓜ

DFTM.	DATE
CHKR.	
ENGRG.	
MFG.	
APPD.	
DFTG.	UPV.

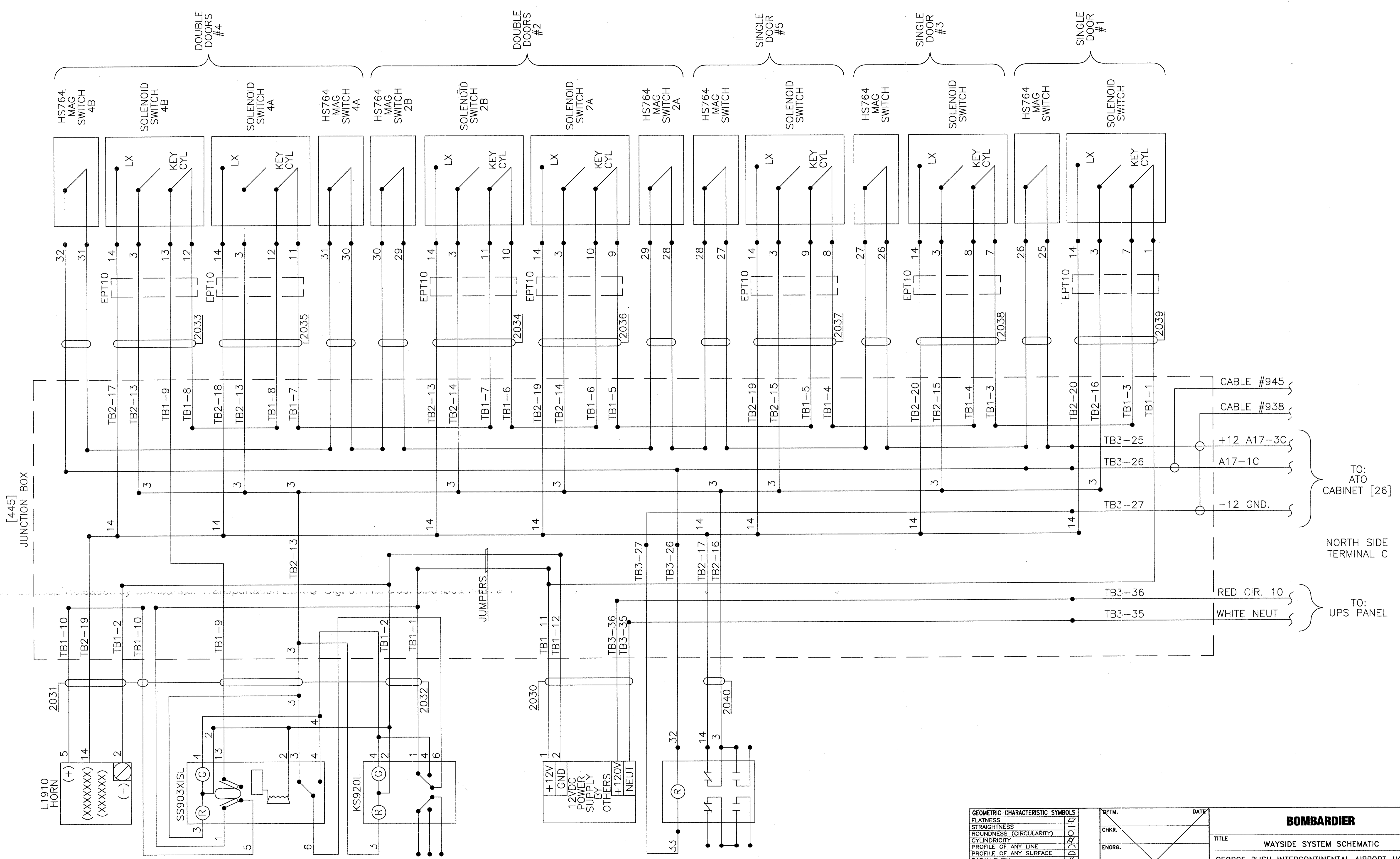
<b>BOMBARDIER</b>		
TITLE WAYSIDE SYSTEM SCHEMATIC		
GEORGE BUSH INTERCONTINENTAL AIRPORT-HOUSTON		
DIMENSIONS IN INCHES		
SIZE D	DWG. NO. 5D81332	REV. 9
SCALE NONE	WT.	SHEET 165

© 2005, BOMBARDIER INC. OR ITS SUBSIDIARIES. ALL RIGHTS RESERVED.

PROPRIETARY INFORMATION - SEE SHEET 1

AutoCAD

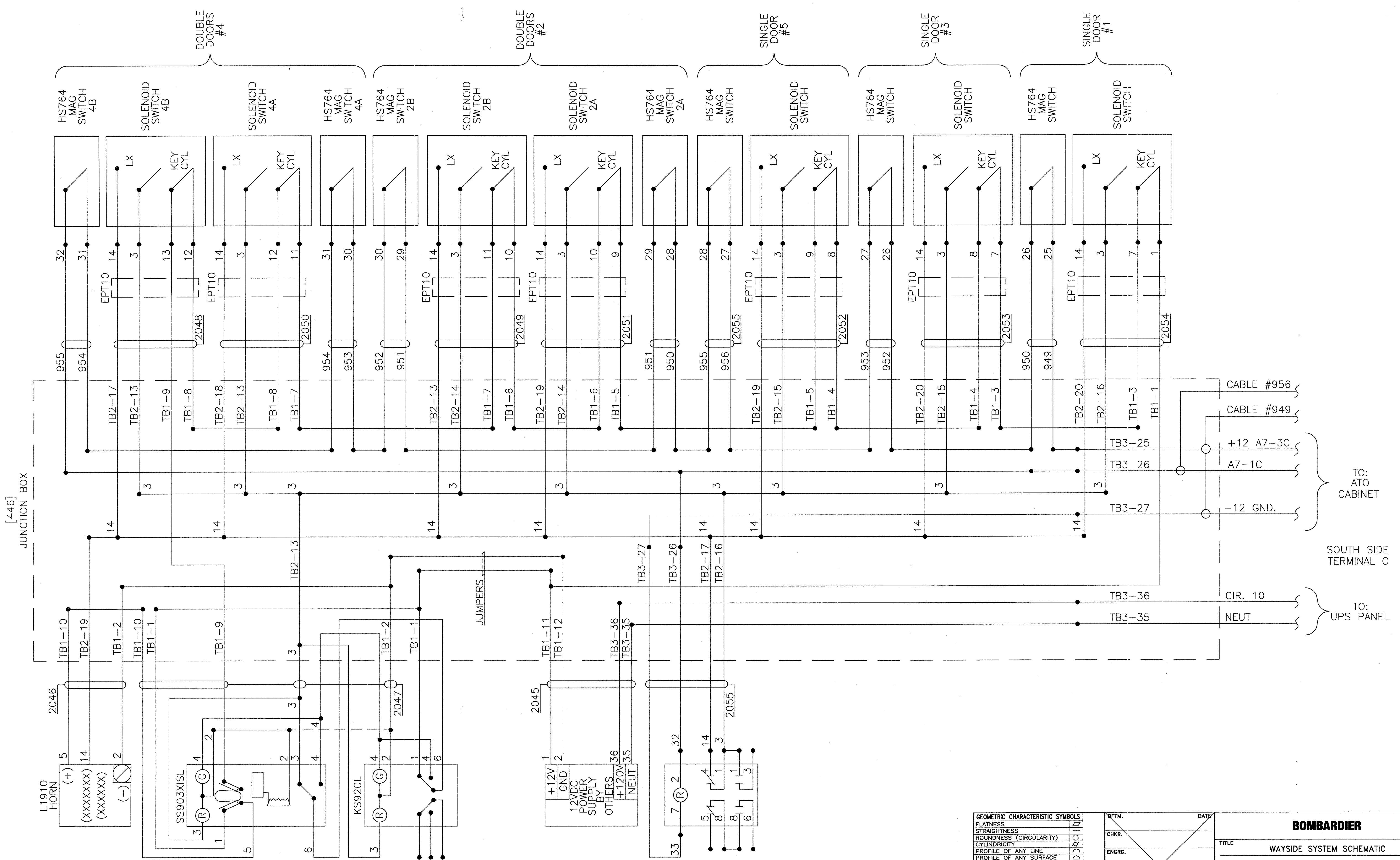
### STATION C NORTH EMERGENCY DOOR CLOSED & LOCKED ALARM CIRCUIT



GEOMETRIC CHARACTERISTIC SYMBOLS	
FLATNESS	
STRAIGHTNESS	
ROUNDNESS (CIRCULARITY)	
CYLINDRICITY	
PROFILE OF ANY LINE	
PROFILE OF ANY SURFACE	
PARALLELISM	
PERPENDICULARITY (SQUARENESS)	
ANGULARITY	
RUNOUT	
TRUE POSITION	
CONCENTRICITY	
SYMMETRY	
MAXIMUM MATERIAL CONDITION (MMC)	
REGARDLESS OF FEATURE SIZE	

DEPT.	DATE
CHKR.	
ENGRG.	
MFG.	
APPD.	
DFTG. SUPV.	

<b>BOMBARDIER</b>	
TITLE WAYSIDE SYSTEM SCHEMATIC	
GEORGE BUSH INTERCONTINENTAL AIRPORT-HOUSTON	
DIMENSIONS IN INCHES	
SIZE D	DWG. NO. 5D81332
SCALE NONE	WT.
SHEET 166	REV. 9



PROPRIETARY INFORMATION - SEE SHEET 1

### STATION C SOUTH EMERGENCY DOOR CLOSED & LOCKED ALARM CIRCUIT

AutoCAD

GEOMETRIC CHARACTERISTIC SYMBOLS	
FLATNESS	⊥
STRAIGHTNESS	— —
ROUNDNESS (CIRCULARITY)	⊘
CYLINDRICITY	⊘ ⊘
PROFILE OF ANY LINE	— —
PROFILE OF ANY SURFACE	— —
PARALLELISM	∥
PERPENDICULARITY (SQUARENESS)	⊥
ANGULARITY	∠
RUNOUT	⊘
TRUE POSITION	⊕
CONCENTRICITY	⊕
SYMMETRY	⊕
MAXIMUM MATERIAL CONDITION (MMC)	Ⓜ
REGARDLESS OF FEATURE SIZE	Ⓜ

REF. DWG.	
DFTM.	DATE
CHKR.	
ENGRG.	
MFG.	
APPD.	
DFTG' EUPV.	

<b>BOMBARDIER</b>	
TITLE	
WAYSIDE SYSTEM SCHEMATIC	
GEORGE BUSH INTERCONTINENTAL AIRPORT-HOUSTON	
DIMENSIONS IN INCHES	
SIZE	DWG. NO.
D	5D81332
SCALE NONE	WT.
SHEET 167	REV. 9



WAYSIDE SCHEMATIC - GEORGE BUSH INTERCONTINENTAL AIRPORT/HOUSTON

TABLE OF CONTENTS

SHEET NO.	TITLE	SHEET NO.	TITLE
1	SIGN OFF SHEET	50	SOUTH GUIDEWAY TRANSMIT/RECEIVE (SWITCH 34)
2	TABLE OF CONTENTS	51	SOUTH GUIDEWAY TRANSMIT/RECEIVE
3	TABLE OF CONTENTS	52	SOUTH GUIDEWAY TRANSMIT/RECEIVE
4	NOTES / LEGEND	53	BLANK SHEET
5	APM SYSTEM LAYOUT	54	BLANK SHEET
6	VEHICLE ANTENNA LOCATIONS / STATION ANTENNA LOCATIONS	55	MAINTENANCE TRANSMIT/RECEIVE (SWITCH 42)
7	POWER DISTRIBUTION SYSTEM - SINGLE LINE	56	MAINTENANCE TRANSMIT/RECEIVE (SWITCH 41)
8	POWER DISTRIBUTION SYSTEM - VITAL EMERGENCY TRIP CONTROL	57	MAINTENANCE TRANSMIT/RECEIVE
9	POWER DISTRIBUTION SYSTEM - BLUE LIGHT LOCATIONS	58	MAINTENANCE TRANSMIT/RECEIVE (SWITCH 101)
10	BLUE LIGHT TRIP STATIONS	59	MAINTENANCE TRANSMIT/RECEIVE (SWITCH 102)
11	BLANK SHEET	60	MAINTENANCE TRANSMIT/RECEIVE
12	PDS COMMUNICATIONS	61	MAINTENANCE TRANSMIT/RECEIVE
13	BLANK SHEET	62	BLANK SHEET
14	TERMINAL D LOBBY CALL BUTTONS AND PASSENGER SENSING	63	MAINTENANCE TRANSMIT/RECEIVE
15	TERMINAL D INTRUSION ALARM INPUTS	64	MAINTENANCE TRANSMIT/RECEIVE (SWITCH 105)
16	MAINTENANCE INTRUSION ALARM INPUTS	65	MAINTENANCE TRANSMIT/RECEIVE (SWITCH 104)
17	TERMINAL D NORTH EMERGENCY DOORS CLOSED AND LOCKED GUIDEWAY ACCESS GATES	66	MAINTENANCE TRANSMIT/RECEIVE (SWITCH 103)
18	TERMINAL D NORTH STATION DOOR, GRAPHICS AND INFORMATION ANTENNA INTERFACE	67	MAINTENANCE TRANSMIT/RECEIVE
19	TERMINAL D NORTH PROGRAM STOP AND MARKER TAPE ANTENNA INTERFACE	68	MAINTENANCE TRANSMIT/RECEIVE
20	TERMINAL D SOUTH EMERGENCY DOORS CLOSED AND LOCKED GUIDEWAY ACCESS GATES	69	BLANK SHEET
21	TERMINAL D SOUTH STATION DOOR, GRAPHICS AND INFORMATION ANTENNA INTERFACE	70	MAINTENANCE TRANSMIT/RECEIVE
22	TERMINAL D SOUTH PROGRAM STOP AND MARKER TAPE ANTENNA INTERFACE	71	MAINTENANCE TRANSMIT/RECEIVE
23	TERMINAL D STATION DOOR CONTROLLER IDENTIFICATION ASSIGNMENTS	72	BLANK SHEET
24	TERMINAL D NORTH GUIDEWAY STATION DOOR INTERFACE BERTH 1 DOORSET 1-2	73	SWITCH GEALOC OUTPUTS - SW 31,32,33,34
25	TERMINAL D NORTH GUIDEWAY STATION DOOR INTERFACE BERTH 2 DOORSET 2-2	74	SWITCH GEALOC OUTPUTS - SW 41,42
26	TERMINAL D SOUTH GUIDEWAY STATION DOOR INTERFACE BERTH 1 DOORSET 1-3	75	SWITCH GEALOC OUTPUTS - SW 101,103,104,105
27	TERMINAL D SOUTH GUIDEWAY STATION DOOR INTERFACE BERTH 2 DOORSET 2-3	76	SWITCH GEALOC OUTPUTS - SW 102 (FUTURE)
28	TERMINAL D NORTH PASSENGER DOORS CLOSED & LOCKED	77	BLANK SHEET
29	TERMINAL D NORTH ATO TO GEALOC INDICATIONS	78	SWITCH 31 GEALOC INPUTS
30	TERMINAL D SOUTH PASSENGER DOORS CLOSED & LOCKED	79	SWITCH 32 GEALOC INPUTS
31	TERMINAL D SOUTH ATO TO GEALOC INDICATIONS	80	SWITCH 33 GEALOC INPUTS
32	TERMINAL D LOBBY RESET SWITCHES	81	SWITCH 34 GEALOC INPUTS
33	TERMINAL D NORTH EMERGENCY DOOR CLOSED & LOCKED ALARM CIRCUIT	82	SWITCH 41 GEALOC INPUTS
34	TERMINAL D SOUTH EMERGENCY DOOR CLOSED & LOCKED ALARM CIRCUIT	83	SWITCH 42 GEALOC INPUTS
35	MAINTENANCE DEPARTURE ANTENNAS	84	SWITCH 101 GEALOC INPUTS
36	BLANK SHEET	85	SWITCH 102 GEALOC INPUTS (FUTURE)
37	NORTH GUIDEWAY BRUSH DETECTOR	86	SWITCH 103 GEALOC INPUTS
38	SOUTH GUIDEWAY BRUSH DETECTOR	87	SWITCH 104 GEALOC INPUTS
39	BLANK SHEET	88	SWITCH 105 GEALOC INPUTS
40	NORTH GUIDEWAY TRANSMIT / RECEIVE	89	BLANK SHEET
41	NORTH GUIDEWAY TRANSMIT / RECEIVE (SWITCH 32)	90	TRAFFIC SIGNALS - SWITCH 31- GATE A
42	NORTH GUIDEWAY TRANSMIT / RECEIVE (SWITCH 31)	91	TRAFFIC SIGNALS - SWITCH 32- GATE B
43	NORTH GUIDEWAY TRANSMIT / RECEIVE	92	TRAFFIC SIGNALS - SWITCH 33- GATE C
44	NORTH GUIDEWAY TRANSMIT / RECEIVE	93	TRAFFIC SIGNALS - SWITCH 34- GATE D
45	BLANK SHEET	94	TRAFFIC SIGNALS - SWITCH 41- GATES D, E AND F
46	X03 WALKWAY SIDE-GRAPHICS ANTENNA TX	95	TRAFFIC SIGNALS - SWITCH 42- GATES A, B AND C
47	SOUTH GUIDEWAY TRANSMIT/RECEIVE	96	TRAFFIC SIGNALS - SWITCH 101- GATES A AND B
48	SOUTH GUIDEWAY TRANSMIT/RECEIVE (SWITCH 33)	97	TRAFFIC SIGNALS - SWITCH 103- GATE D
49	SOUTH GUIDEWAY TRANSMIT/RECEIVE	98	TRAFFIC SIGNALS - SWITCH 104- GATE C

GEOMETRIC CHARACTERISTIC SYMBOLS	
FLATNESS	▭
STRAIGHTNESS	—
ROUNDNESS (CIRCULARITY)	○
CYLINDRICITY	⊘
PROFILE OF ANY LINE	⌒
PROFILE OF ANY SURFACE	⌒
PARALLELISM	∥
PERPENDICULARITY (SQUARENESS)	⊥
ANGULARITY	∠
RUNOUT	↻
TRUE POSITION	⊕
CONCENTRICITY	⊙
SYMMETRY	⊞
MAXIMUM MATERIAL CONDITION (MMC)	Ⓜ
REGARDLESS OF FEATURE SIZE	Ⓛ

DFTM.	R.ANDERSON 4-11-02	DATE
CHKR.		
ENGRG.	R.KORTYNA	
MFG.		
APPD.		
DFTG. SUPV.	J.CARNEVALE	

<b>BOMBARDIER</b>		
TITLE HOUSTON PHASE 2		
WAYSIDE SYSTEM SCHEMATIC		
DIMENSIONS IN INCHES		
SIZE	DWG. NO.	REV.
D	6D61054	7
SCALE	NONE	WT.
		SHEET 2

PROPRIETARY INFORMATION - SEE SHEET 1

AutoCAD

WAYSIDE SCHEMATIC - HOUSTON PHASE 2

TABLE OF CONTENTS

SHEET NO.	TITLE	SHEET NO.	TITLE
99	TRAFFIC SIGNALS - SWITCH 105 - GATE E AND F		
100	CENTRAL VITAL SWITCH PANEL PROHIBIT ZONES - ND, NX3, SD		
101	CENTRAL VITAL SWITCH PANEL PROHIBIT ZONES - NC, SC		
102	CENTRAL VITAL SWITCH PANEL PROHIBIT ZONES - C2, C1		
103	CENTRAL VITAL SWITCH PANEL PROHIBIT ZONES - C3, C4, C5		
104	CENTRAL VITAL SWITCH PANEL PROHIBIT ZONES - C6, C7, C8		
105	CENTRAL VITAL SWITCH PANEL - TRAIN ENTER/EXIT		
106	SLCC TO SW. PIN LOCK CONTROLLER - SW31-34, 41-42, 101-105		
107	SLCC TO SW. HYDRAULIC UNIT - SW31-34, 41-42, 101-105		
108	SLCC TO SW. HYDRAULIC UNIT POWER - SW31-34, 41-42, 101-105		
109	SWITCH FLUID LEVEL INDICATIONS - SW 31, 32, 33, 34		
110	SWITCH FLUID LEVEL INDICATIONS - SW 41, 42		
111	SWITCH FLUID LEVEL INDICATIONS - SW 101, 103, 104, 105		
112	SWITCH FLUID LEVEL INDICATIONS - SW 102 (FUTURE)		
113	BLANK SHEET		
114	TRIP STOP - MAINTENANCE WEST		
115	TRIP STOP - MAINTENANCE EAST		
116	RECEIVING/READY TRACK LIGHT/HORN		
117	GEALOC POWER DISTRIBUTION JUMPERS & GEALOC POWER DISTRIBUTION - SLCC 31, 32, 33, & 34		
118	GEALOC POWER DISTRIBUTION - SLCC 41 & 42		
119	GEALOC POWER DISTRIBUTION - SLCC 101, 103, 104, & 105		
120	BLANK SHEET		
121	BLANK SHEET		
122	TERMINAL D CCTV INTERFACE		
123	TERMINAL D - NORTH STATION ATO TO GEOLOC INDICATIONS - EMERGENCY DOORS		
124	TERMINAL D - SOUTH STATION ATO TO GEOLOC INDICATIONS - EMERGENCY DOORS		
125	TERMINAL D - NORTH STATION ATO TO GEOLOC INDICATIONS - DOORS CLOSED AND LOCKED		
126	TERMINAL D - SOUTH STATION ATO TO GEOLOC INDICATIONS - DOORS CLOSED AND LOCKED		
127	MAINTENANCE READY TRACK PRIME POWER		
128	TERMINAL D NORTH PRIME POWER		
129	TERMINAL D SOUTH PRIME POWER		
130	TERMINAL D GUIDEWAY LIGHTING CONTROL		
131	TERMINAL D SIGNAGE STATION PLATFORM		
132	TERMINAL D UPS ALARMS		
133	MAINTENANCE UPS ALARMS		
134	STATION D EMERGENCY PHONE ACTIVATED		
135	TERMINAL D ATO TO CENTRAL INTERFACES		
136	MAINTENANCE ATO TO CENTRAL INTERFACES		
137			
138			
139			
140			
141			
142			
143			
144			
145			
146			
147			

GEOMETRIC CHARACTERISTIC SYMBOLS	
FLATNESS	▭
STRAIGHTNESS	—
ROUNDNESS (CIRCULARITY)	○
CYLINDRICITY	⊘
PROFILE OF ANY LINE	⌒
PROFILE OF ANY SURFACE	⌒
PARALLELISM	∥
PERPENDICULARITY (SQUARENESS)	⊥
ANGULARITY	∠
RUNOUT	↻
TRUE POSITION	⊕
CONCENTRICITY	⊙
SYMMETRY	⊞
MAXIMUM MATERIAL CONDITION (MMC)	Ⓜ
REGARDLESS OF FEATURE SIZE	Ⓜ

DFTM. R.ANDERSON	DATE 4-11-02
CHKR.	
ENGRG. R.KORTYNA	
MFG.	
APPD.	
DFTG. SUPV. J.CARNEVALE	5/0

<b>BOMBARDIER</b>			
TITLE HOUSTON PHASE 2 WAYSIDE SYSTEM SCHEMATIC			
DIMENSIONS IN INCHES			
SIZE D	DWG. NO. 6D61054	REV. 7	
SCALE NONE	WT.	SHEET 3	

PROPRIETARY INFORMATION - SEE SHEET 1

AutoCAD

REV. NO. 1 2 3 4 5 6 7

NOTES:

1. REFERENCE DRAWINGS

SYSTEM MAP AND TRACK PLAN	6D60467
PDS SYSTEM SCHEMATIC	5D80913
ATO CABINET SCHEMATIC STATION D	6D61293
ATO CABINET SCHEMATIC MAINTENANCE	6D61294
GEALOC CABINET SCHEMATIC	2684F76
STATION C COMMUNICATIONS	5D80996
CENTRAL SCHEMATIC PACKAGE	
GEALOC INTERCONNECTION CABLE ASSEMBLIES	5D81179
GEALOC VITAL MMI PANEL ASSEMBLY	1657E14
MANUAL CONTROL PANEL SCHEMATIC	5D81740
MMI PANEL A2 SCHEMATIC	5D81580
MMI PANEL A2 WIRE LIST	3A63556
ORS RADIO SYSTEM	5D81268
CENTRAL SYSTEM DRAWING	6D55184
CENTRAL CABLE TRAY AND CONDUIT	5D80990
GEALOC TERM CABINET INPUT JUMPER LIST	3A63644
GEALOC TERM CABINET OUTPUT JUMPER LIST	3A63645
UPS WIRING DIAGRAM AND PANEL	5D80993

LEGEND

MKSPR - MANUAL KETSWITCH REPEATER RELAY  
 MANR - MANUAL RELAY  
 MKS - MANUAL KEYSWITCH  
 MPS - MANUAL PUSHBUTTON SWITCH  
 HVS - HAND VALVE SWITCH  
 NMAN - NEGATIVE RETURN FOR MANUAL RELAY  
 BP - BEAM POSITION (CIRCUIT CONTROLLER)  
 PL - PIN LOCK (CIRCUIT CONTROLLER)  
 RWP - REVERSE SWITCH REPEATER  
 NWP - NORMAL SWITCH REPEATER  
 PNL - PIN LOCK RELAY  
 PUNL - PIN UNLOCK RELAY  
 MTRL - MANUAL (DELAY) TIMER LIGHT  
 HPMC - HYDRAULIC PUMP MOTOR CONTACTOR  
 NCV - NORMAL CONTROL VALVE  
 BFUV - BEAM FLOAT UNLOADER VALVE  
 LCV - LOCK PIN CONTROL VALVE  
 FLS - FLUID LEVEL SWITCH

GEOMETRIC CHARACTERISTIC SYMBOLS	
FLATNESS	▭
STRAIGHTNESS	—
ROUNDNESS (CIRCULARITY)	○
CYLINDRICITY	⊘
PROFILE OF ANY LINE	⌒
PROFILE OF ANY SURFACE	⌒
PARALLELISM	∥
PERPENDICULARITY (SQUARENESS)	⊥
ANGULARITY	∠
RUNOUT	↗
TRUE POSITION	⊕
CONCENTRICITY	⊙
SYMMETRY	⊞
MAXIMUM MATERIAL CONDITION (MMC)	Ⓜ
REGARDLESS OF FEATURE SIZE	Ⓜ

DFTM.	R.ANDERSON 4-11-02	DATE
CHKR.		
ENGRG.	R.KORTYNA	
MFG.		
APPD.		
DFTG. SUPV.	J.CARNEVALE	

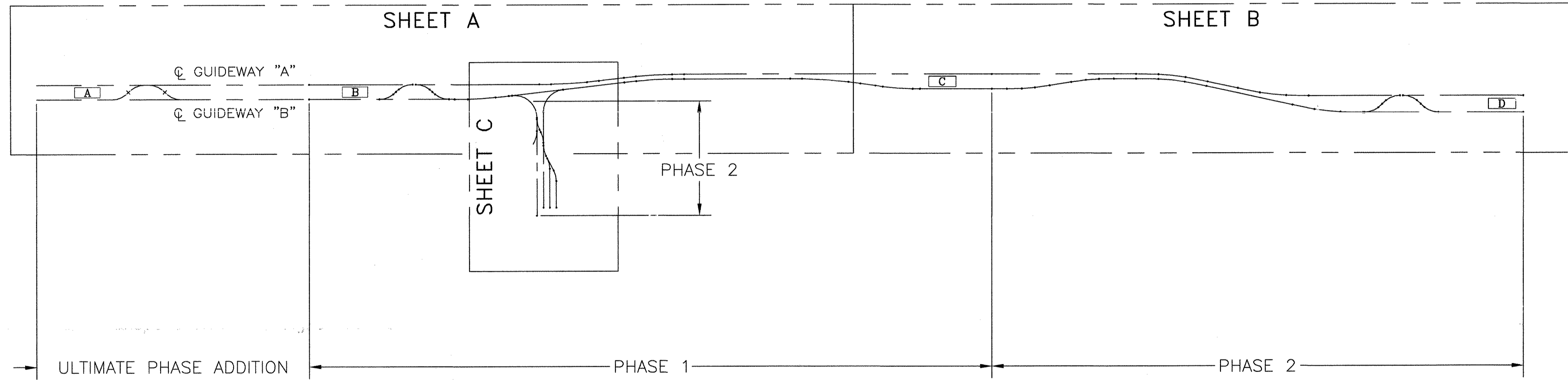
<b>BOMBARDIER</b>			
TITLE HOUSTON PHASE 2			
WAYSIDE SYSTEM SCHEMATIC			
DIMENSIONS IN INCHES			
SIZE	D	DWS. NO.	6D61054
SCALE	NONE	WT.	
SHEET	4	REV.	7

PROPRIETARY INFORMATION - SEE SHEET 1

AutoCAD

REV. 1 2 3 4 5 6 7 8 9 10 11

HOUSTON PHASE 2 - SYSTEM MAP AND TRACK PLAN - SHEET INDEX				
		A	B	C
COVER SHEET	1			
INDEX	2			
SYSTEM NOTES AND SYMBOLS	3			
CAR ORIENTATION AND CAR/WAYSIDE ANTENNAS	4			
PROGRAM STOP AND SWITCH GRAPHICS TAPES	5-6			
VEHICLE/WAYSIDE CODES	7			
SYSTEM PLAN AND CURVE DATA		8	9	10
SPEED PROFILE, NORMAL DIRECTION		11	12	13
SPEED PROFILE, REVERSE DIRECTION		14	15	16
SWITCH PROFILES NORMAL AND REVERSE		17	18	
PHASE 2 TX/RX INFORMATION		19	20	21
WAYSIDE EQUIPMENT, GUIDEWAY INTERFACE LOCATION PLAN		22	23	24
TRACK PDS AND RAIL INSTALLATION		25	26	
WAYSIDE EQUIPMENT, GUIDEWAY INTERFACE LOCATION PLAN (SWITCH DETAILS)		27	28	29-30
TRAFFIC SIGNAL LOCATION PLAN		31	32	33



PROPRIETARY INFORMATION - SEE SHEET 1

AutoCAD

GEOMETRIC CHARACTERISTIC SYMBOLS	
FLATNESS	
STRAIGHTNESS	
ROUNDNESS (CIRCULARITY)	
CYLINDRICITY	
PROFILE OF ANY LINE	
PROFILE OF ANY SURFACE	
PARALLELISM	
PERPENDICULARITY (SQUARENESS)	
ANGULARITY	
RUNOUT	
TRUE POSITION	
CONCENTRICITY	
SYMMETRY	
MAXIMUM MATERIAL CONDITION (MMC)	
REGARDLESS OF FEATURE SIZE	

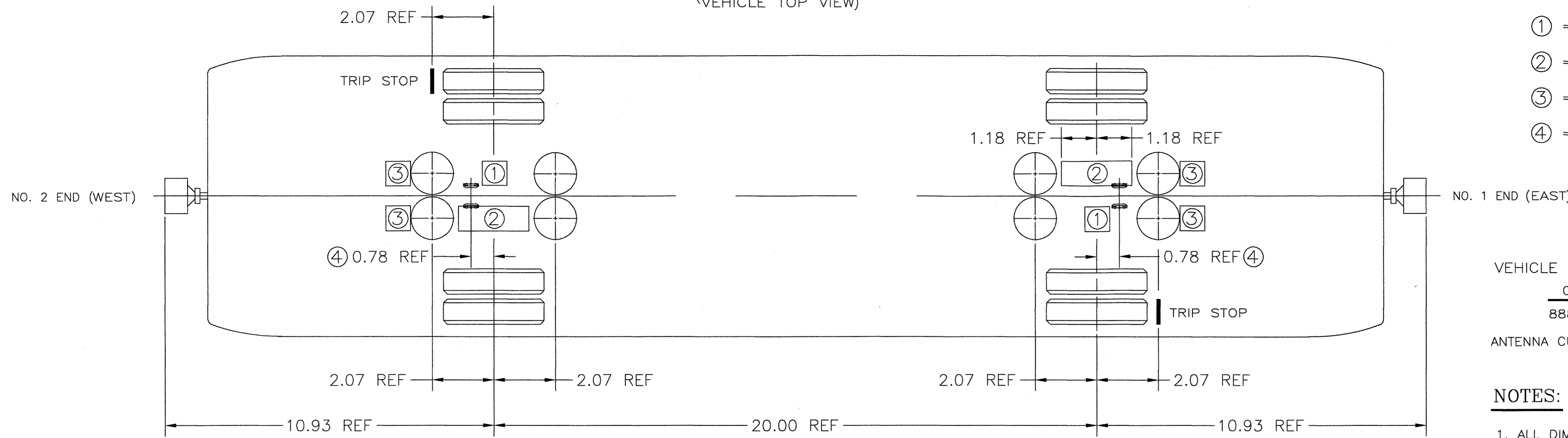
DFTM.	DATE
R.ANDERSON	4-11-02
CHKR.	
ENGRG.	
R.KORTYNA	
MFG.	
APPD.	
DFTG. SUPV.	
J.CARNEVALE	

BOMBARDIER		
TITLE		
HOUSTON PHASE 2		
WAYSIDE SYSTEM SCHEMATIC		
DIMENSIONS IN INCHES		
SIZE	DWG. NO.	REV.
D	6D61054	7
SCALE	NONE	WT.
		SHEET 5



# VEHICLE ANTENNA LOCATIONS

(VEHICLE TOP VIEW)



- ① = INFORMATION TRANSMITTER ANTENNA.
- ② = PROGRAM STOP, DOOR/GRAPHICS RECEIVER ANTENNA.
- ③ = TRACK SIGNALLING RECEIVER ANTENNA.
- ④ = ATO/GND COLLECTOR SHOE. (SHOE LENGTH = 6.00 INCHES)

VEHICLE INFO TX FREQUENCY

O'S	1'S
8880 Hz	5920 Hz

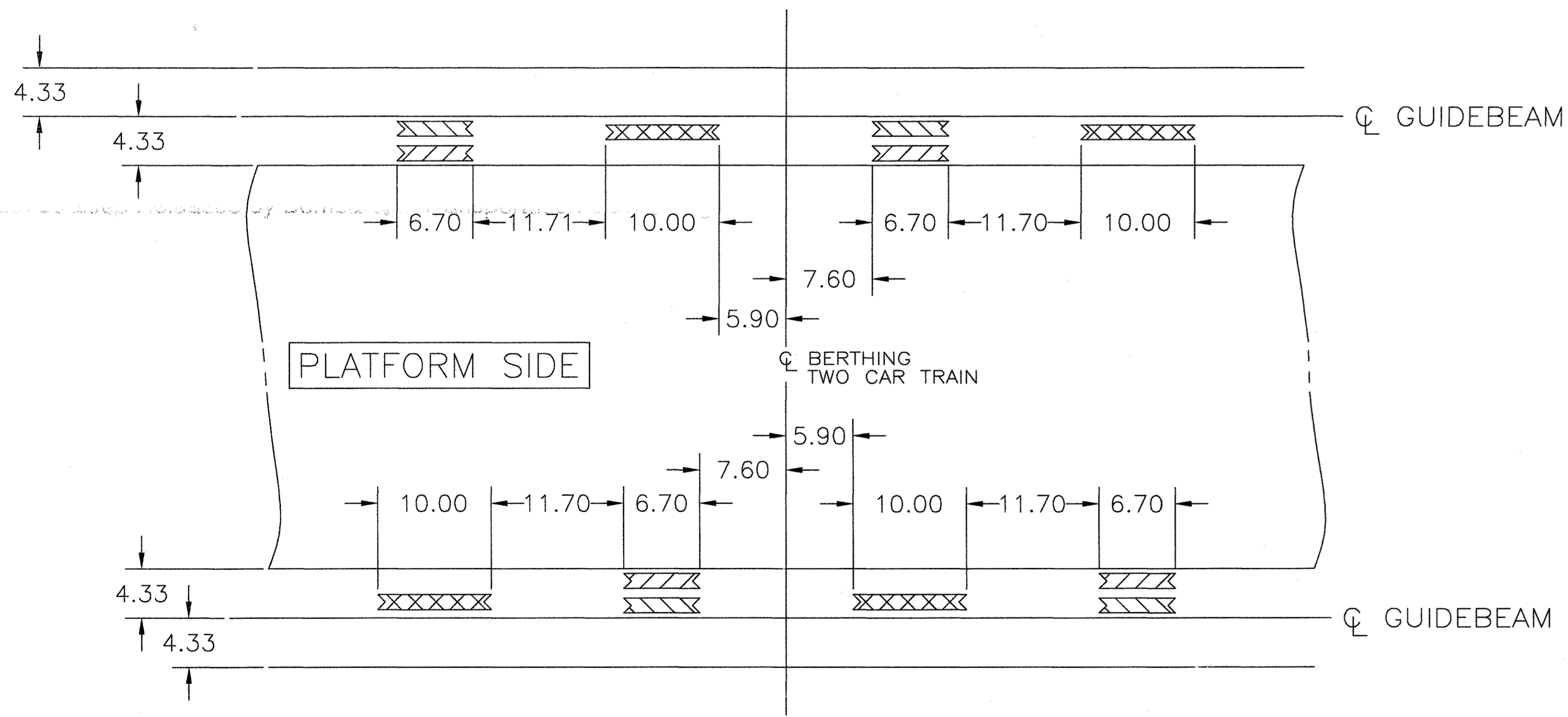
ANTENNA CURRENT 40 TURNS, 142 MA RMS FUNDAMENTAL +0/-10%.

### NOTES:

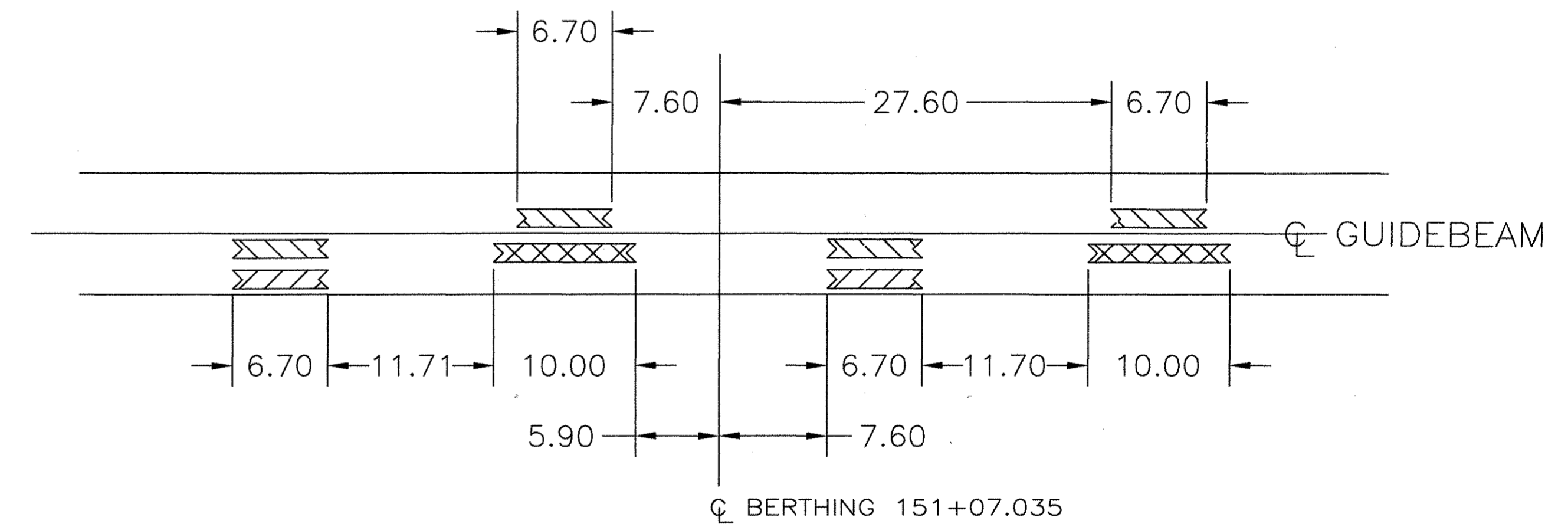
1. ALL DIMENSIONS IN FEET.

## STATION \* ANTENNA LOCATIONS (PLAN VIEW)

[ \* EXCEPT FOR STATIONS B AND D SOUTH GUIDEWAY GRAPHICS ANTENNA ONLY, SEE SHEETS 5 AND 6.]



## MAINTENANCE AREA DEPARTURE TEST ANTENNA CONFIGURATION



### WAYSIDE

	O'S	1'S
▨▨▨▨▨	7992 Hz	5328 Hz
▧▧▧▧▧	9544 Hz	6362 Hz
▩▩▩▩▩	8880 Hz	5920 Hz

DOOR/GRAPHICS ANTENNA CURRENT SINE WAVE 350 MA RMS FUNDAMENTAL +0/- 10%

GEOMETRIC CHARACTERISTIC SYMBOLS	DATE
FLATNESS	R.ANDERSON 4-11-02
STRAIGHTNESS	CHKR.
ROUNDNESS (CIRCULARITY)	
CYLINDRICITY	
PROFILE OF ANY LINE	
PROFILE OF ANY SURFACE	
PARALLELISM	
PERPENDICULARITY (SQUARENESS)	
ANGULARITY	
RUNOUT	
TRUE POSITION	
CONCENTRICITY	
SYMMETRY	
MAXIMUM MATERIAL CONDITION (MMC)	
REGARDLESS OF FEATURE SIZE	

ENGRG.	R.KORTYNA
MFG.	
APPD.	
DFTG. SUPV.	J.CARNEVALE

BOMBARDIER			
TITLE			
HOUSTON PHASE 2			
WAYSIDE SYSTEM SCHEMATIC			
DIMENSIONS IN INCHES			
SIZE	DWG. NO.	REV.	
D	6D61054	7	
SCALE	NONE	WT.	
		SHEET	6

PROPRIETARY INFORMATION - SEE SHEET 1

AutoCAD

11 10 9 8 7 6 5 4 3 2 1

F  
E  
D  
C  
B  
A

BLANK SHEET

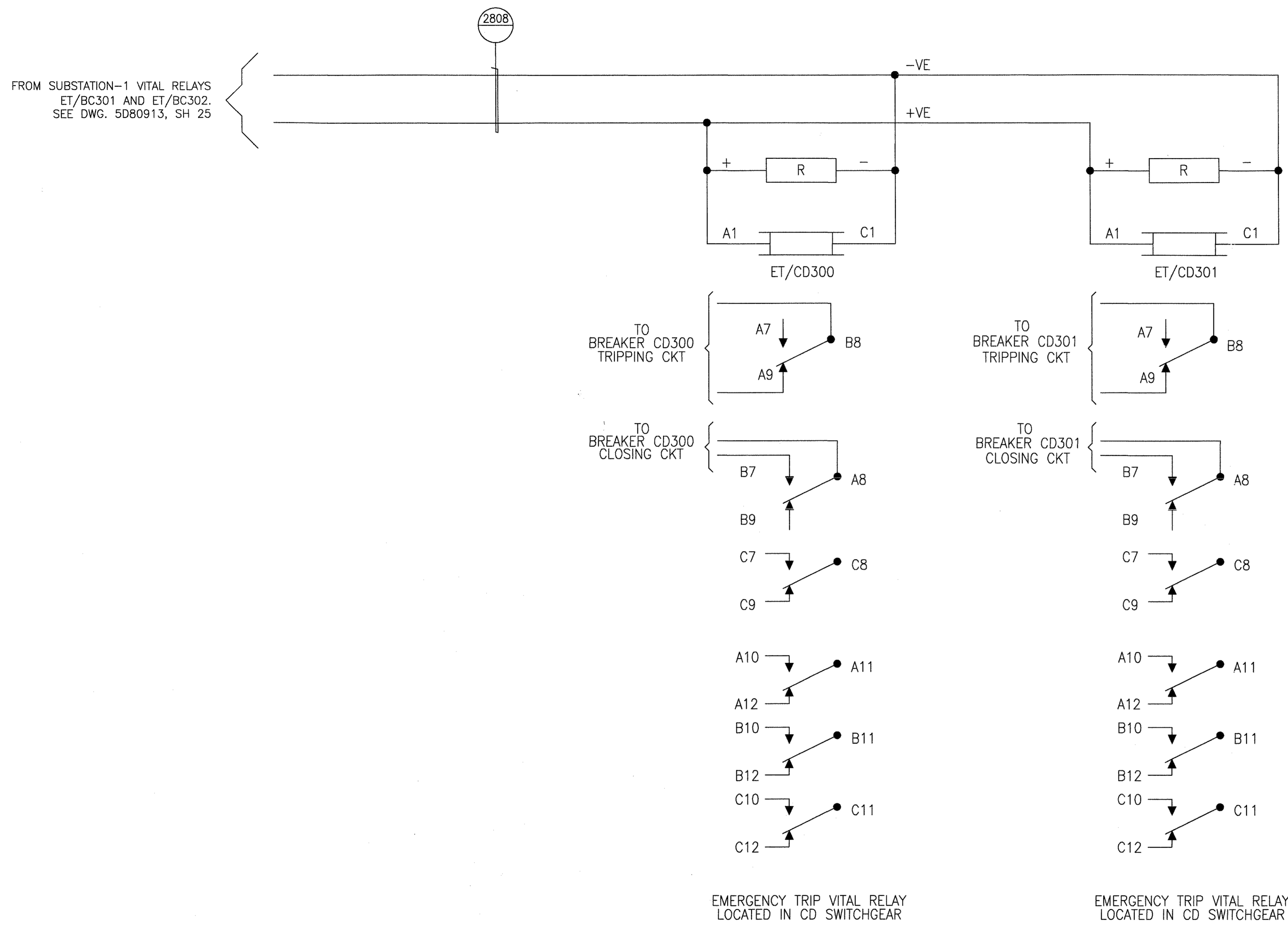
PROPRIETARY INFORMATION - SEE SHEET 1

AutoCAD

GEOMETRIC CHARACTERISTIC SYMBOLS	
FLATNESS	
STRAIGHTNESS	
ROUNDNESS (CIRCULARITY)	
CYLINDRICITY	
PROFILE OF ANY LINE	
PROFILE OF ANY SURFACE	
PARALLELISM	
PERPENDICULARITY (SQUARENESS)	
ANGULARITY	
RUNOUT	
TRUE POSITION	
CONCENTRICITY	
SYMMETRY	
MAXIMUM MATERIAL CONDITION (MMC)	
REGARDLESS OF FEATURE SIZE	

DFTM.	DATE
R.ANDERSON	4-11-02
ENGRG.	
R.KORTYNA	
MFG.	
APPD.	
DFTG. SUPV.	
J.CARNEVALE	

BOMBARDIER			
TITLE			
HOUSTON PHASE 2			
WAYSIDE SYSTEM SCHEMATIC			
DIMENSIONS IN INCHES			
SIZE	DWG. NO.	REV.	
D	6D61054	7	
SCALE	NONE	WT.	
		SHEET	7



POWER DISTRIBUTION SYSTEM  
VITAL EMERGENCY TRIP CONTROL

PROPRIETARY INFORMATION - SEE SHEET 1

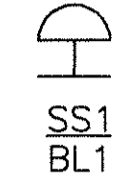
AutoCAD

GEOMETRIC CHARACTERISTIC SYMBOLS	
FLATNESS	▭
STRAIGHTNESS	—
ROUNDNESS (CIRCULARITY)	○
CYLINDRICITY	⊘
PROFILE OF ANY LINE	⌒
PROFILE OF ANY SURFACE	⌒
PARALLELISM	∥
PERPENDICULARITY (SQUARENESS)	⊥
ANGULARITY	∠
RUNOUT	↻
TRUE POSITION	⊕
CONCENTRICITY	⊙
SYMMETRY	⊞
MAXIMUM MATERIAL CONDITION (MMC) REGARDLESS OF FEATURE SIZE	Ⓜ

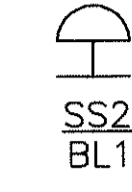
DFTM. R.ANDERSON 4-11-02	DATE
CHKR.	
ENGRG. R.KORTYNA	
MFG.	
APPD.	
DFTG. SUPV. J.CARNEVALE	

<b>BOMBARDIER</b>	
TITLE HOUSTON PHASE 2 WAYSIDE SYSTEM SCHEMATIC	
DIMENSIONS IN INCHES	
SIZE D	DWG. NO. 6D61054
SCALE NONE	WT. SHEET 8
REV. 7	

SUBSTATION 1



SUBSTATION 2

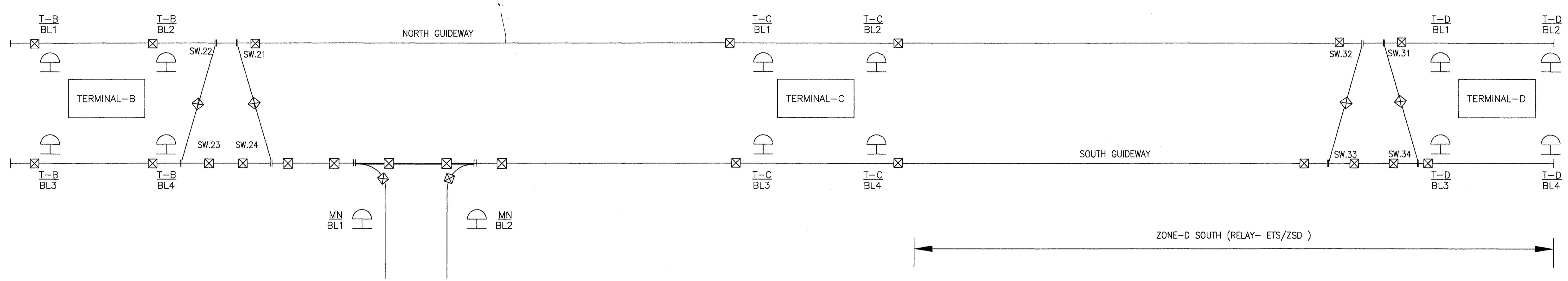


BLUE LIGHT STATION  
 RAIL ISOLATION JOINT

ZONE-C NORTH (RELAY- ETS/ZNC )

ZONE-B NORTH (RELAY- ETS/ZNB )

ZONE-D NORTH (RELAY- ETS/ZND )



MAINTENANCE

ZONE-B SOUTH (RELAY- ETS/ZSB )

ZONE-D SOUTH (RELAY- ETS/ZSD )

ZONE-C SOUTH (RELAY- ETS/ZSC )

POWER DISTRIBUTION SYSTEM  
 BLUE LIGHT LOCATIONS

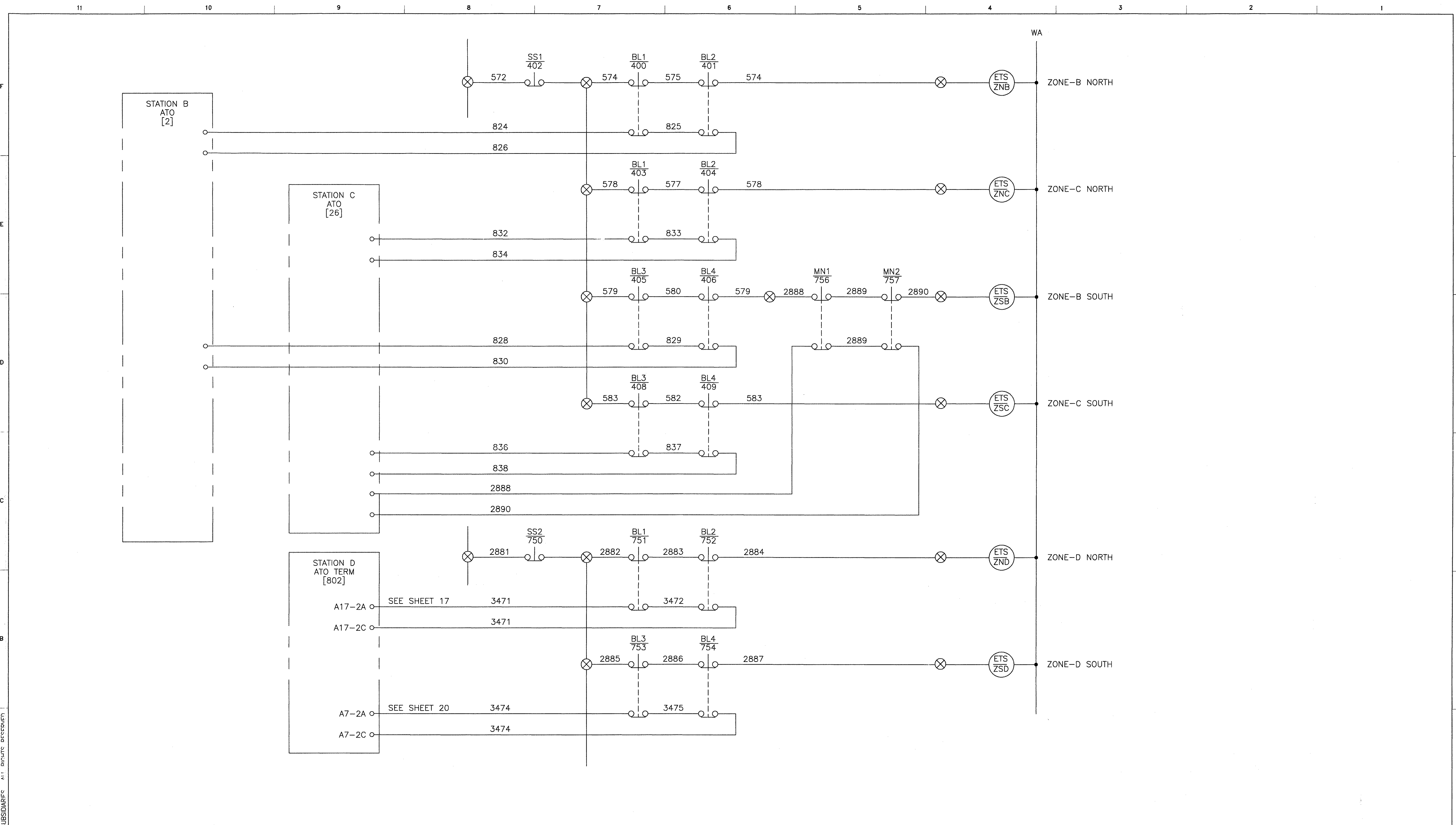
PROPRIETARY INFORMATION - SEE SHEET 1

AutoCAD

GEOMETRIC CHARACTERISTIC SYMBOLS	
FLATNESS	
STRAIGHTNESS	
ROUNDNESS (CIRCULARITY)	
CYLINDRICITY	
PROFILE OF ANY LINE	
PROFILE OF ANY SURFACE	
PARALLELISM	
PERPENDICULARITY (SQUARENESS)	
ANGULARITY	
RUNOUT	
TRUE POSITION	
CONCENTRICITY	
SYMMETRY	
MAXIMUM MATERIAL CONDITION (MMC)	
REGARDLESS OF FEATURE SIZE	

DFTM.	R.ANDERSON 4-11-02	DATE
CHKR.		
ENGR.	R.KORTYNA	
MFG.		
APPD.		
DFTG. SUPV.	J.CARNEVALE	

<b>BOMBARDIER</b>		
TITLE		
HOUSTON PHASE 2		
WAYSIDE SYSTEM SCHEMATIC		
DIMENSIONS IN INCHES		
SIZE	DWG. NO.	REV.
D	6D61054	7
SCALE NONE	WT.	SHEET 9



BLUE LIGHT TRIP STATIONS

PROPRIETARY INFORMATION - SEE SHEET 1

GEOMETRIC CHARACTERISTIC SYMBOLS	
FLATNESS	▭
STRAIGHTNESS	—
ROUNDNESS (CIRCULARITY)	○
CYLINDRICITY	⊘
PROFILE OF ANY LINE	⌒
PROFILE OF ANY SURFACE	⌒
PARALLELISM	∥
PERPENDICULARITY (SQUARENESS)	⊥
ANGULARITY	∠
RUNOUT	↗
TRUE POSITION	⊕
CONCENTRICITY	⊙
SYMMETRY	≡
MAXIMUM MATERIAL CONDITION (MMC)	Ⓜ
REGARDLESS OF FEATURE SIZE	Ⓟ

DFTM. R.ANDERSON 4-11-02	DATE
CHKR.	
ENGRG. R.KORTYNA	
MFG.	
APPD.	
DFTG. SUPV. J.CARNEVALE	

<b>BOMBARDIER</b>	
HOUSTON PHASE 2	
WAYSIDE SYSTEM SCHEMATIC	
DIMENSIONS IN INCHES	
SIZE <b>D</b>	DWG. NO. <b>6D61054</b>
SCALE NONE	REV. <b>7</b>
SHEET 10	

BLANK SHEET

© 2005 BOMBARDIER INC. OR ITS SUBSIDIARIES. ALL RIGHTS RESERVED.

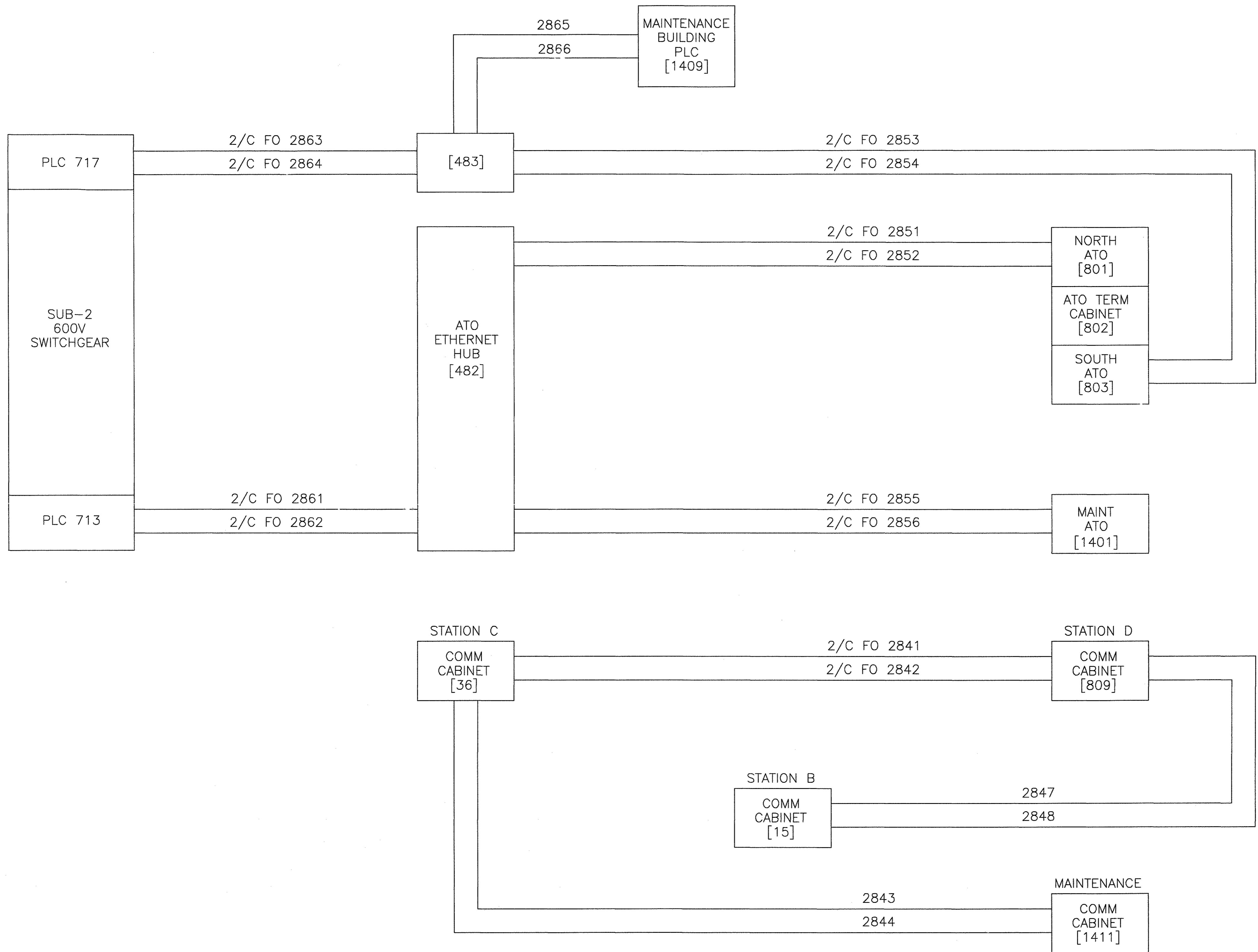
PROPRIETARY INFORMATION - SEE SHEET 1

AutoCAD

GEOMETRIC CHARACTERISTIC SYMBOLS	
FLATNESS	
STRAIGHTNESS	
ROUNDNESS (CIRCULARITY)	
CYLINDRICITY	
PROFILE OF ANY LINE	
PROFILE OF ANY SURFACE	
PARALLELISM	
PERPENDICULARITY (SQUARENESS)	
ANGULARITY	
RUNOUT	
TRUE POSITION	
CONCENTRICITY	
SYMMETRY	
MAXIMUM MATERIAL CONDITION (MMC)	
REGARDLESS OF FEATURE SIZE	

DFTM.	R.ANDERSON	DATE	4-11-02
CHKR.			
ENGRG.	R.KORTYNA		
MFG.			
APPD.			
DFTG. SUPV.	J.CARNEVALE		

<b>BOMBARDIER</b>			
TITLE			
HOUSTON PHASE 2			
WAYSIDE SYSTEM SCHEMATIC			
DIMENSIONS IN INCHES			
SIZE	D	DWG. NO.	6D61054
SCALE	NONE	WT.	
SHEET	11	REV.	7



FIBER OPTIC COMMUNICATION

GEOMETRIC CHARACTERISTIC SYMBOLS	
FLATNESS	▭
STRAIGHTNESS	—
ROUNDNESS (CIRCULARITY)	○
CYLINDRICITY	⊘
PROFILE OF ANY LINE	⌒
PROFILE OF ANY SURFACE	⌒
PARALLELISM	∥
PERPENDICULARITY (SQUARENESS)	⊥
ANGULARITY	∠
RUNOUT	↻
TRUE POSITION	⊕
CONCENTRICITY	⊙
SYMMETRY	⊞
MAXIMUM MATERIAL CONDITION (MMC)	Ⓜ
REGARDLESS OF FEATURE SIZE	Ⓜ

DFTM.	R.ANDERSON	DATE	4-11-02
CHKR.			
ENGRG.	R.KORTYNA		
MFG.			
APPD.			
DFTG. SUPV.	J.CARNEVALE		

<b>BOMBARDIER</b>			
TITLE HOUSTON PHASE 2			
WAYSIDE SYSTEM SCHEMATIC			
DIMENSIONS IN INCHES			
SIZE	DWG. NO.	REV.	
D	6D61054	7	
SCALE	NONE	WT.	
SHEET	12		

PROPRIETARY INFORMATION - SEE SHEET 1

AutoCAD

BLANK SHEET

GEOMETRIC CHARACTERISTIC SYMBOLS	
FLATNESS	
STRAIGHTNESS	
ROUNDNESS (CIRCULARITY)	
CYLINDRICITY	
PROFILE OF ANY LINE	
PROFILE OF ANY SURFACE	
PARALLELISM	
PERPENDICULARITY (SQUARENESS)	
ANGULARITY	
RUNOUT	
TRUE POSITION	
CONCENTRICITY	
SYMMETRY	
MAXIMUM MATERIAL CONDITION (MMC)	
REGARDLESS OF FEATURE SIZE	

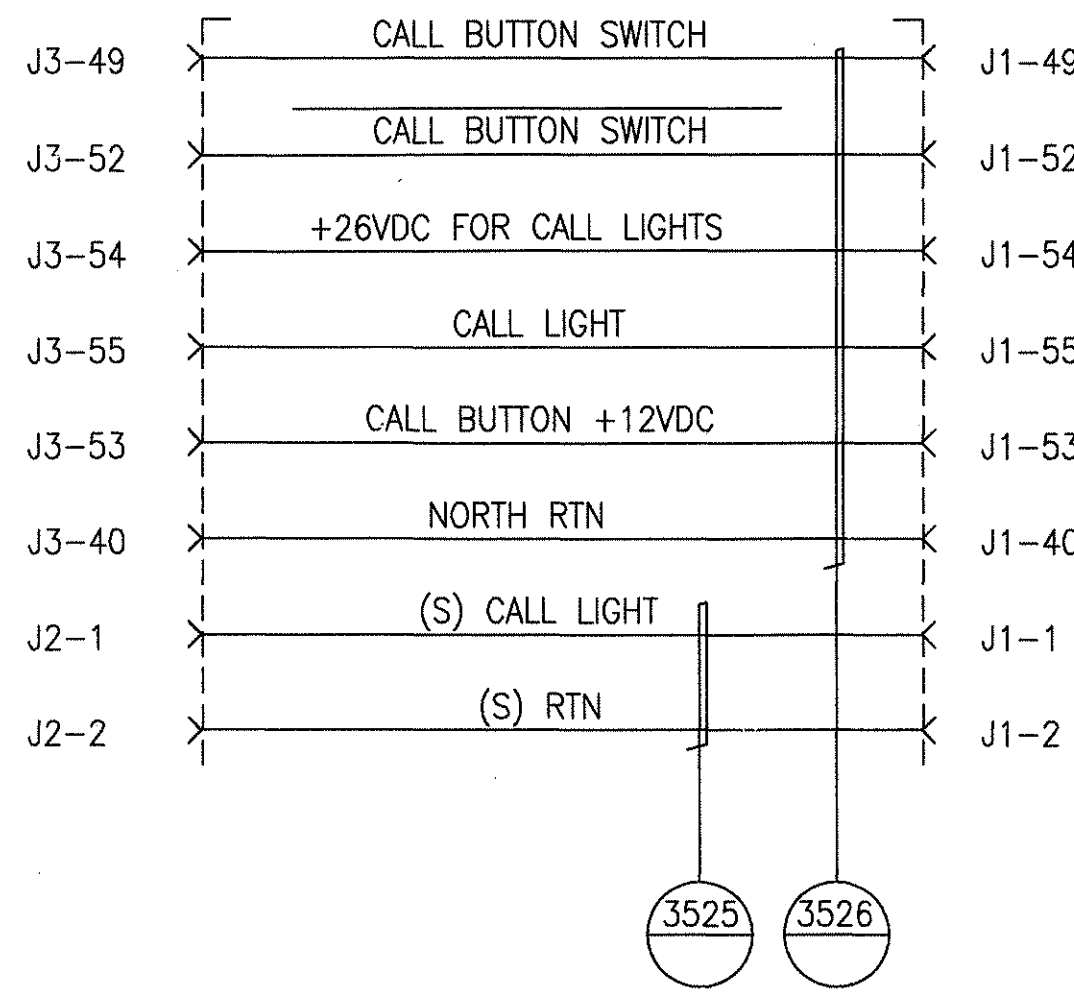
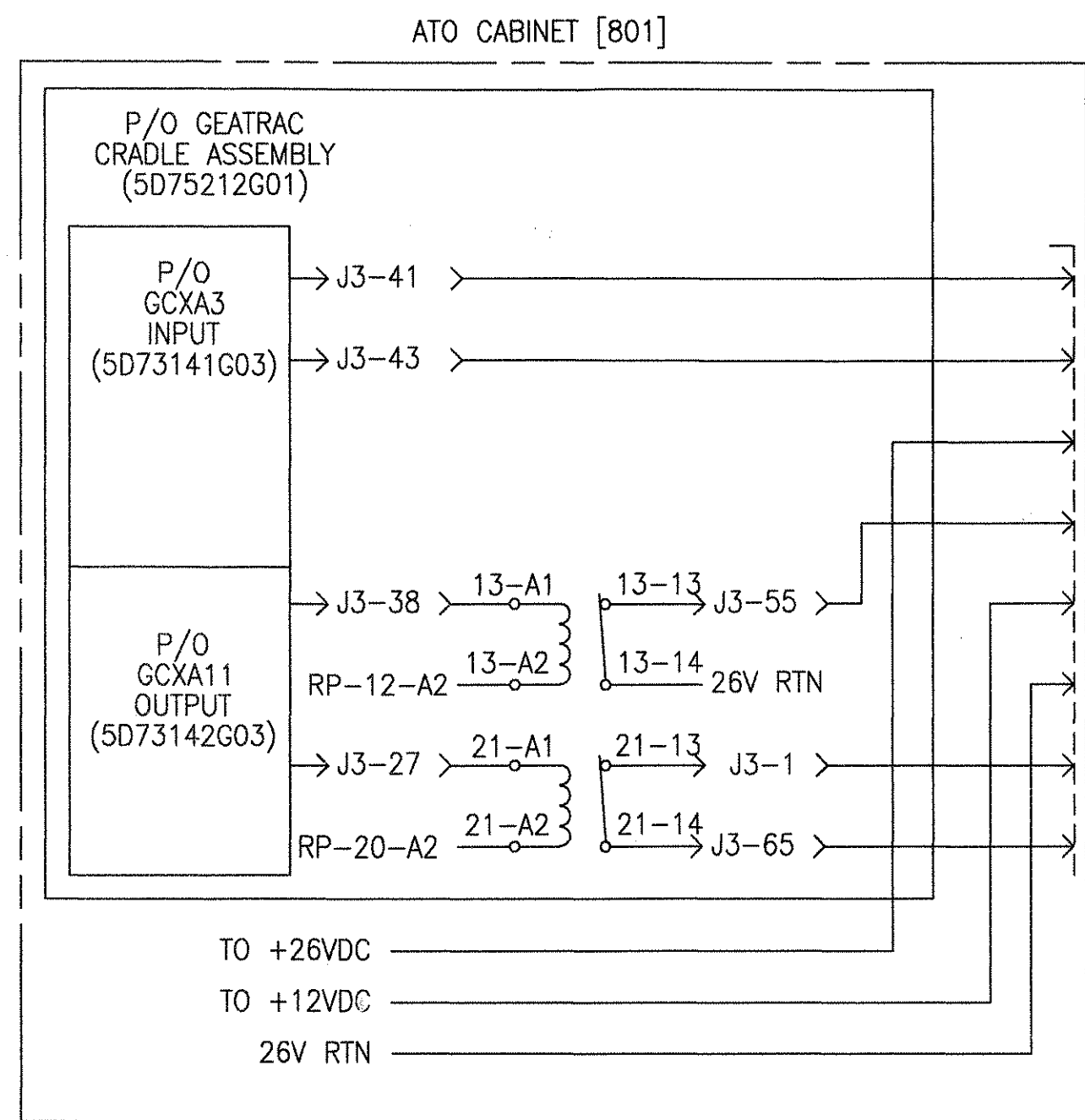
DFTM. R.ANDERSON	DATE 4-11-02
CHKR.	
ENGRG. R.KORTYNA	
MFG.	
APPD.	
DFTG. SUPV. J.CARNEVALE	

<b>BOMBARDIER</b>			
TITLE HOUSTON PHASE 2			
WAYSIDE SYSTEM SCHEMATIC			
DIMENSIONS IN INCHES			
SIZE D	DWG. NO. 6D61054	REV. 7	
SCALE NONE	WT.	SHEET 13	

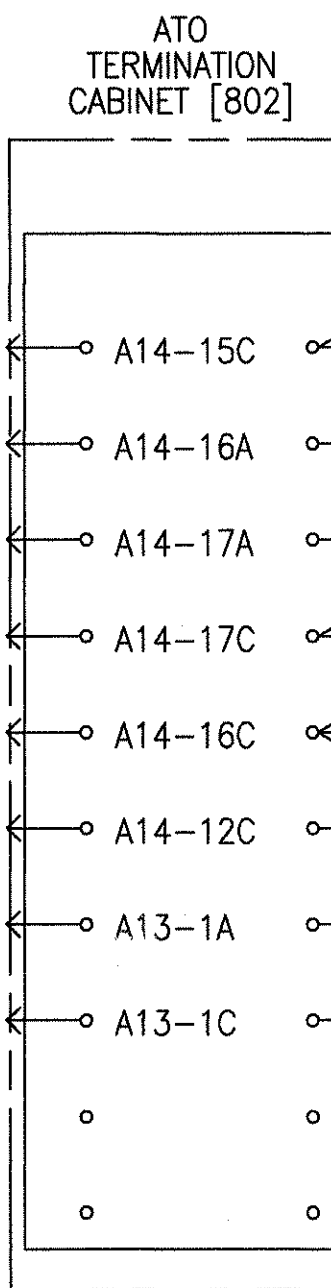
PROPRIETARY INFORMATION - SEE SHEET 1

AutoCAD

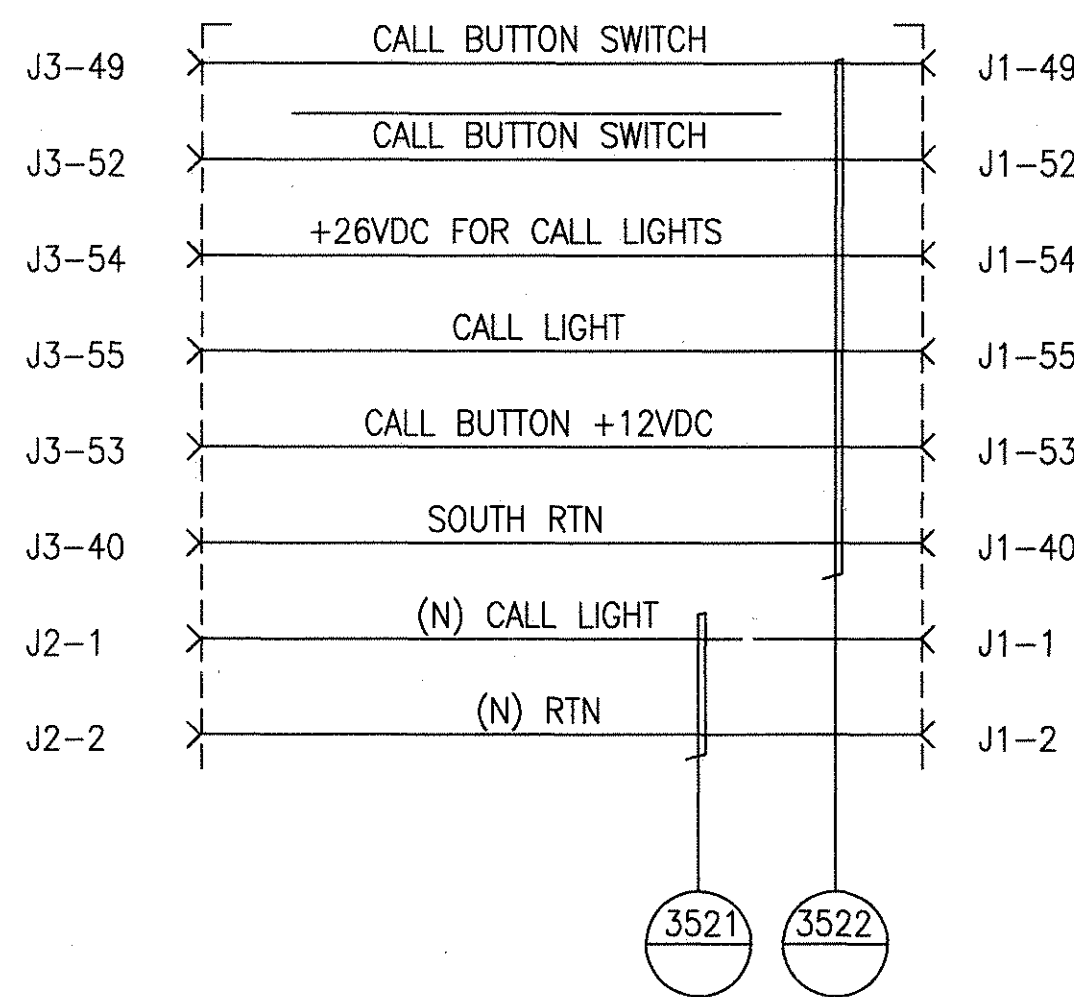
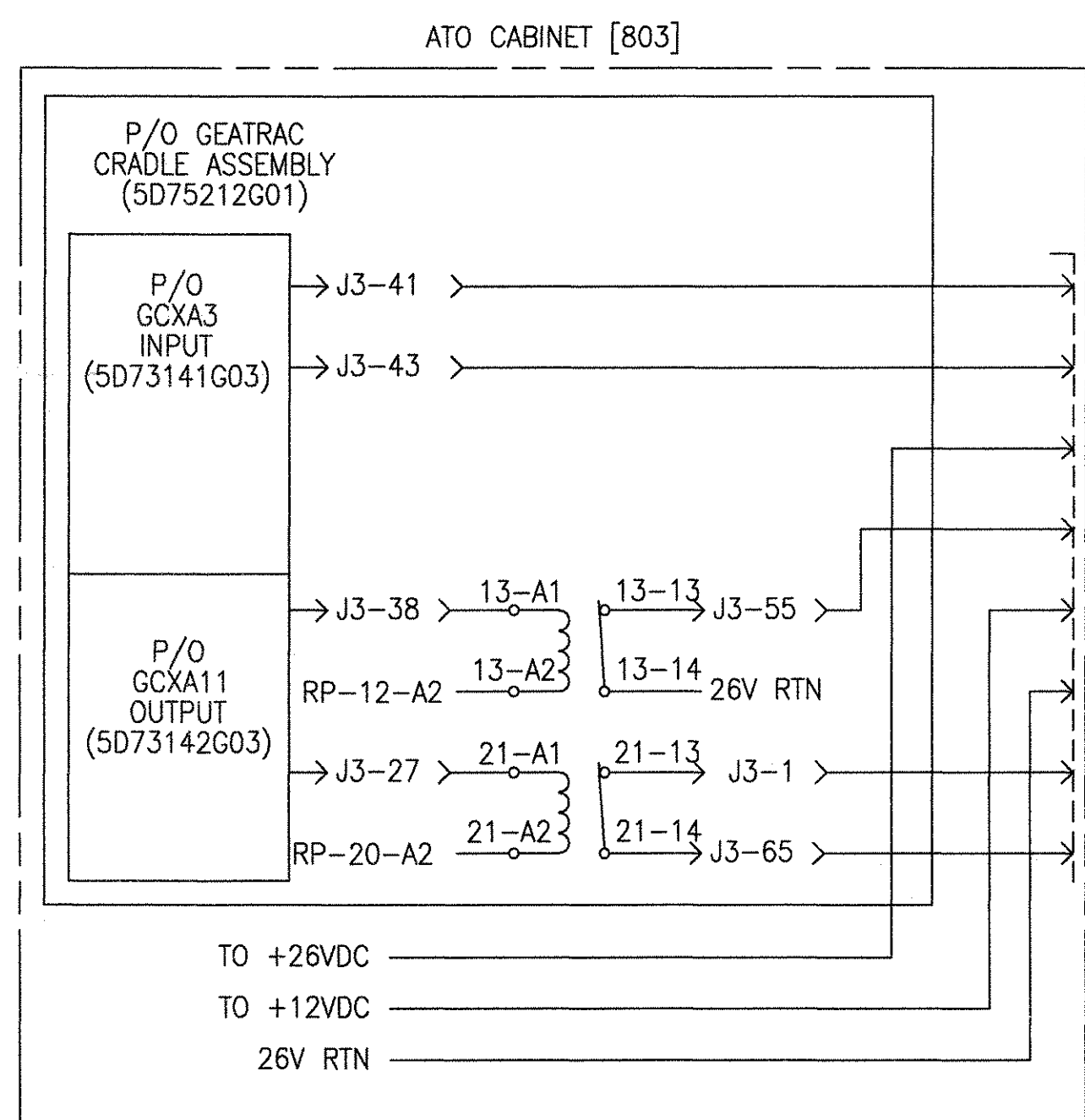




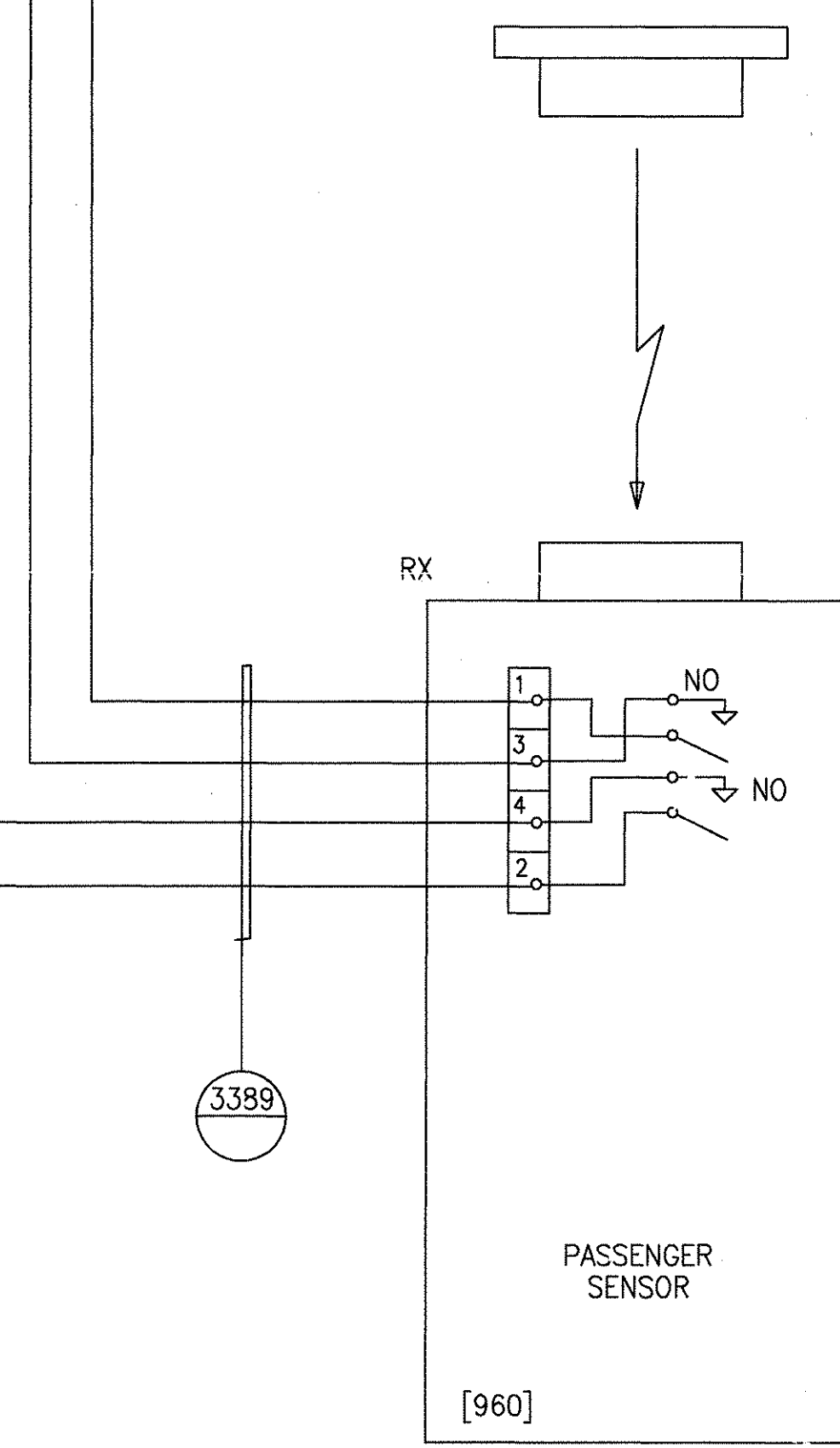
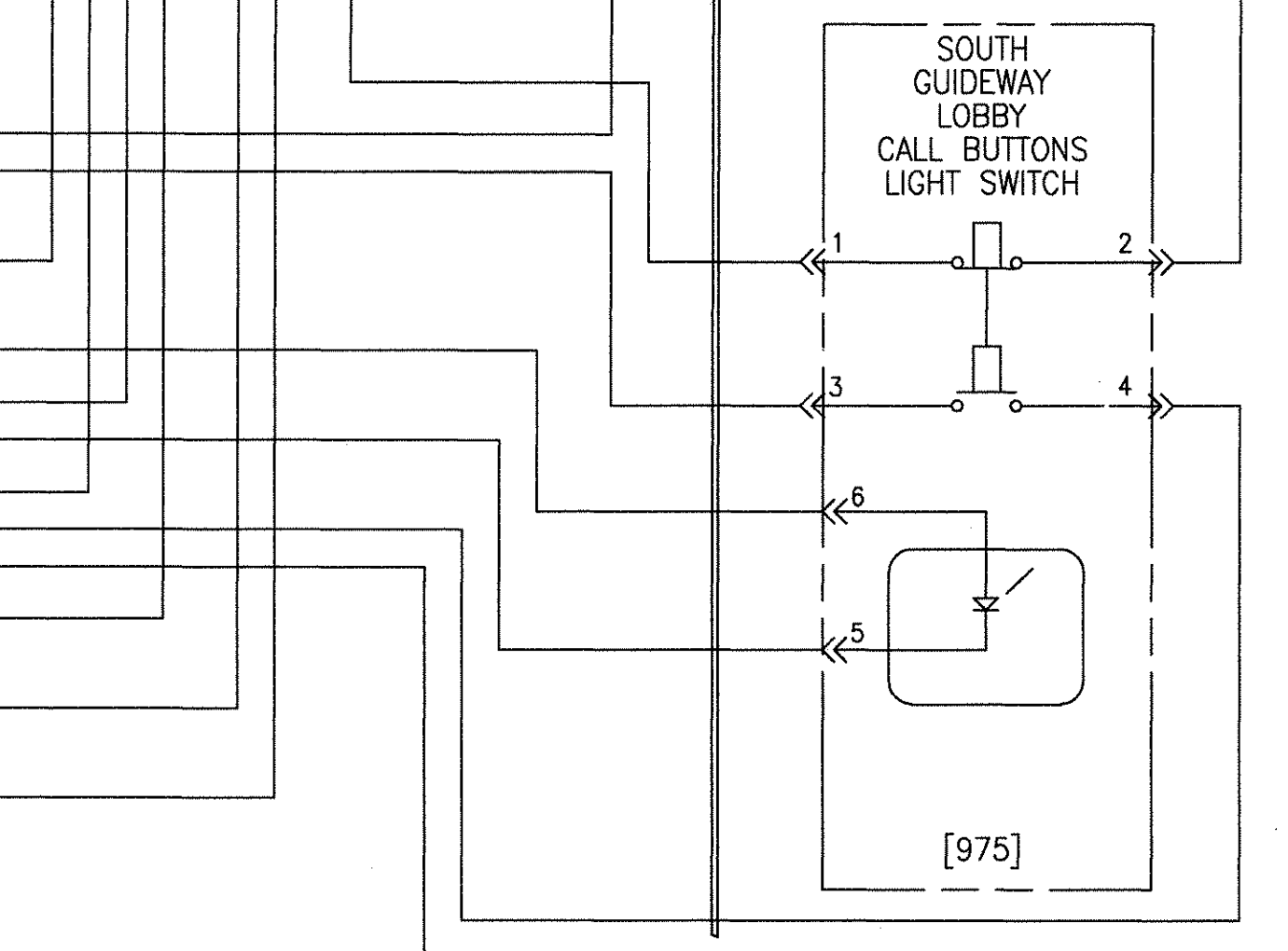
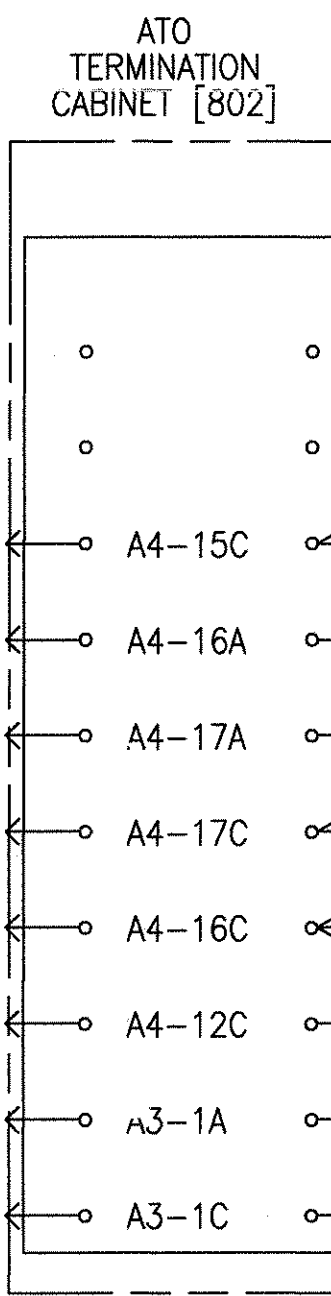
NORTH GUIDEWAY



FIELD WIRES



SOUTH GUIDEWAY



NOTE:  
TX AND RX MAY BE IN THE SAME UNIT. (UTILIZING ACROSS LOBBY REFLECTOR)

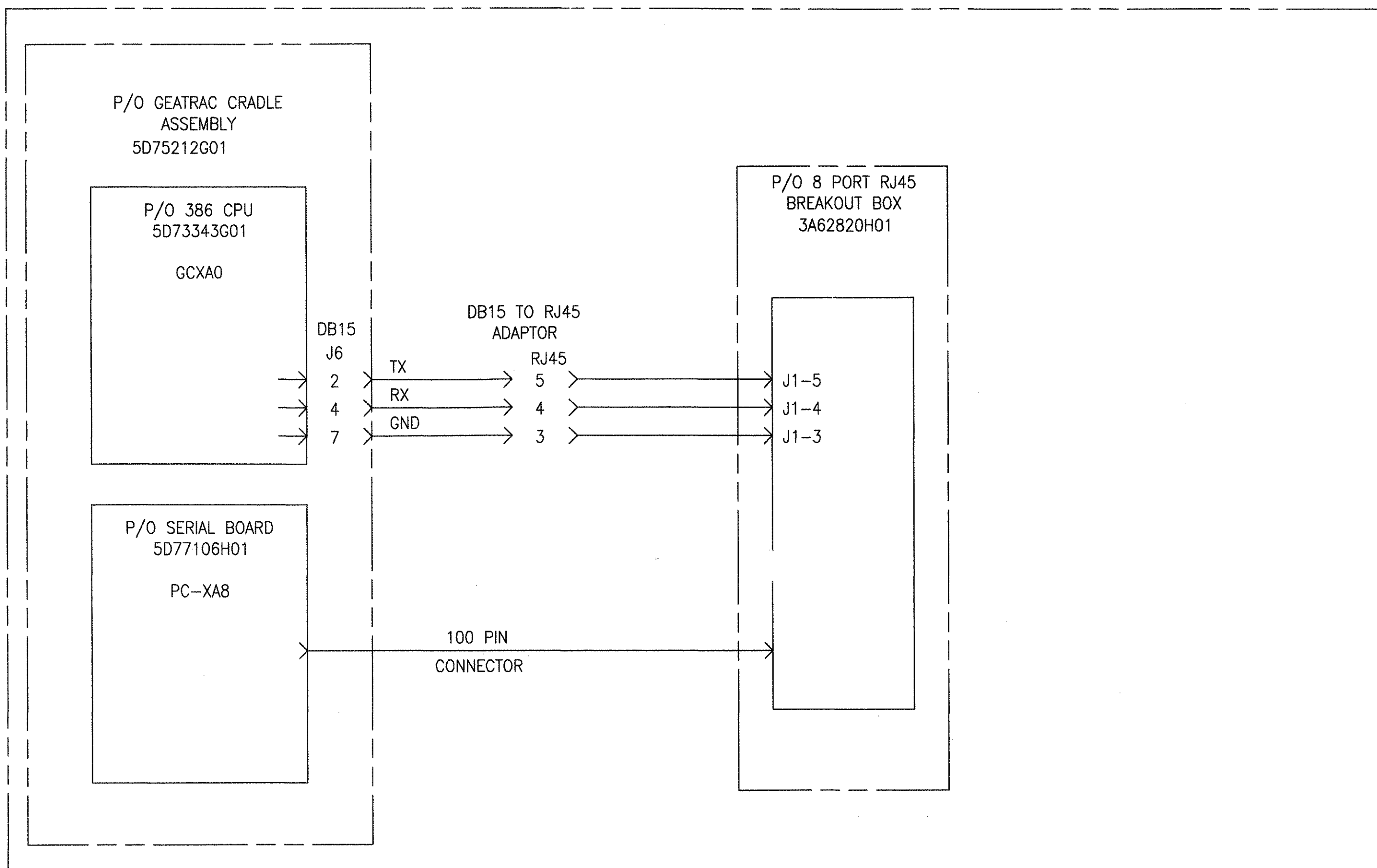
### TERMINAL D STATION LOBBY CALL BUTTONS AND PASSENGER SENSING

<b>GEOMETRIC CHARACTERISTIC SYMBOLS</b> FLATNESS STRAIGHTNESS ROUNDNESS (CIRCULARITY) CYLINDRICITY PROFILE OF ANY LINE PROFILE OF ANY SURFACE PARALLELISM PERPENDICULARITY (SQUARENESS) ANGULARITY RUNOUT TRUE POSITION CONCENTRICITY SYMMETRY MAXIMUM MATERIAL CONDITION (MMC) REGARDLESS OF FEATURE SIZE		DFTM. R.ANDERSON 4-11-02 CHKR. ENGRG. R.KORTYNA MFG. APPD. DFTG. SUPV. J.CARNEVALE	DATE TITLE <b>BOMBARDIER</b> HOUSTON PHASE 2 WAYSIDE SYSTEM SCHEMATIC DIMENSIONS IN INCHES SIZE D DWG. NO. 6D61054 REV. 7 SCALE NONE WT. SHEET 14
---	--	---	--

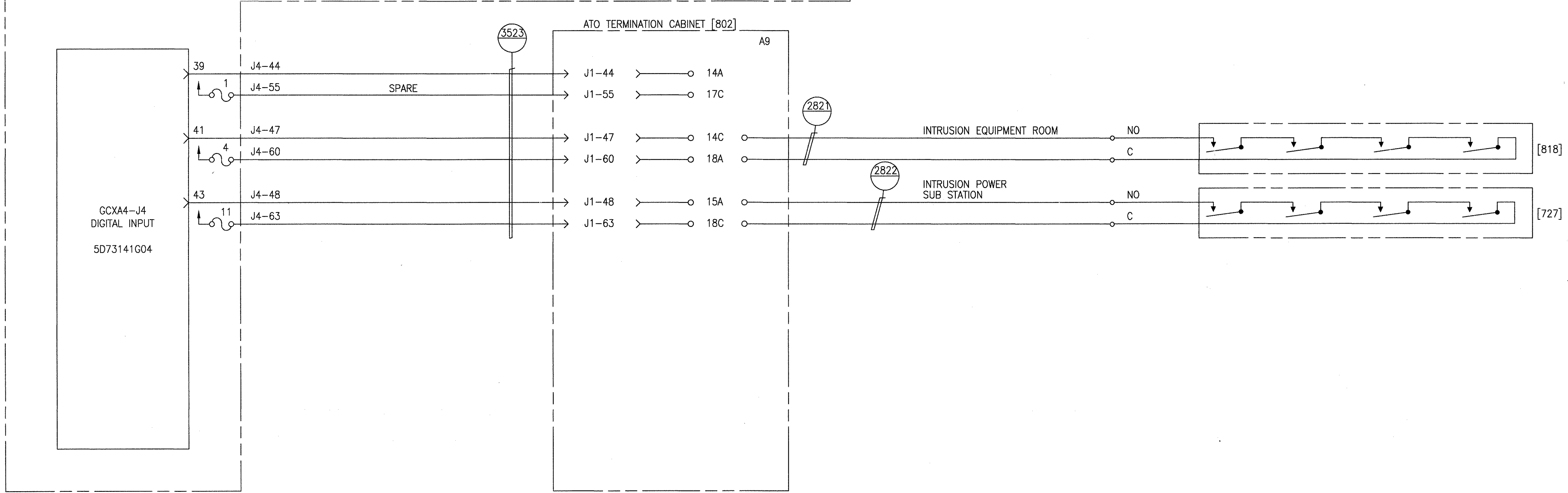
PROPRIETARY INFORMATION - SEE SHEET 1

AutoCAD

SOUTH ATO CABINET [803]



ATO TERMINATION CABINET [802]



TERMINAL D STATION  
INTRUSION ALARM INPUTS

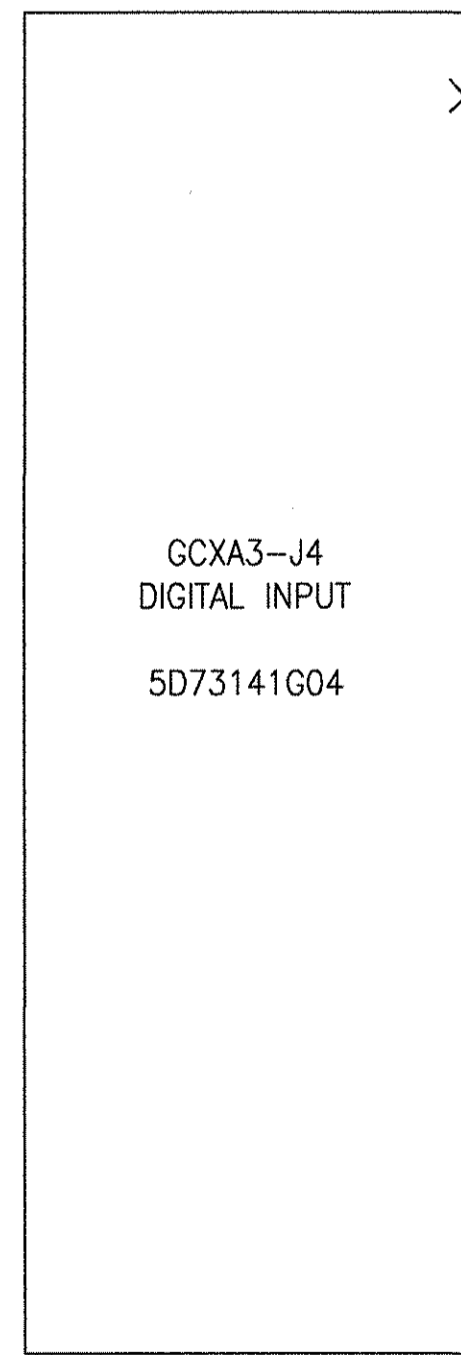
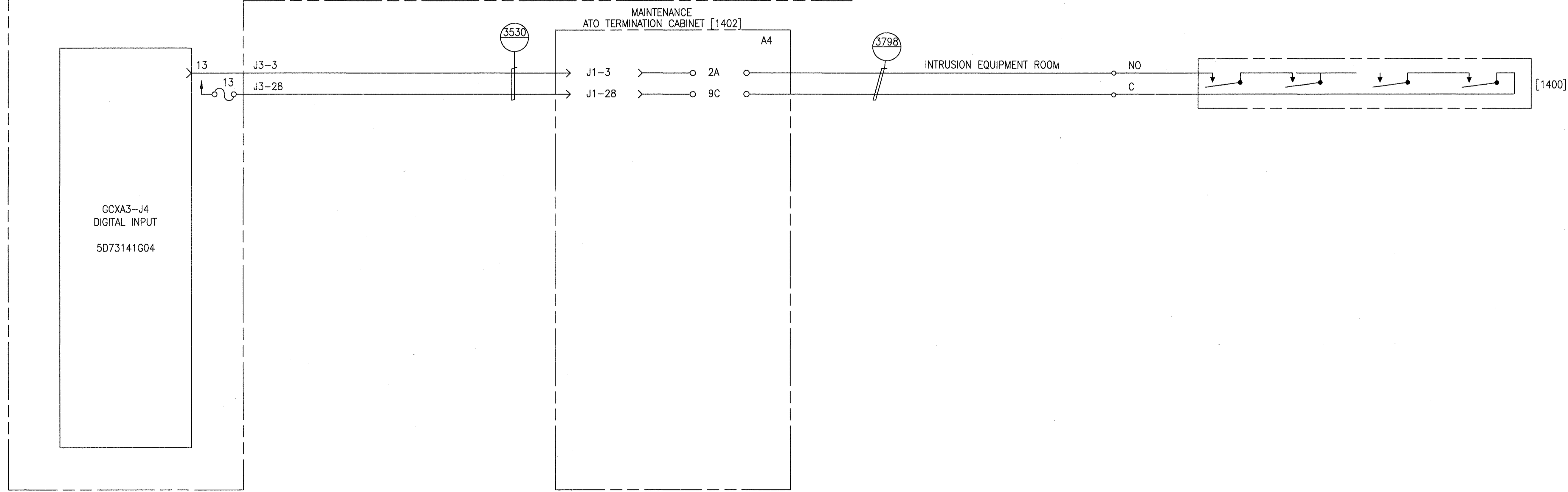
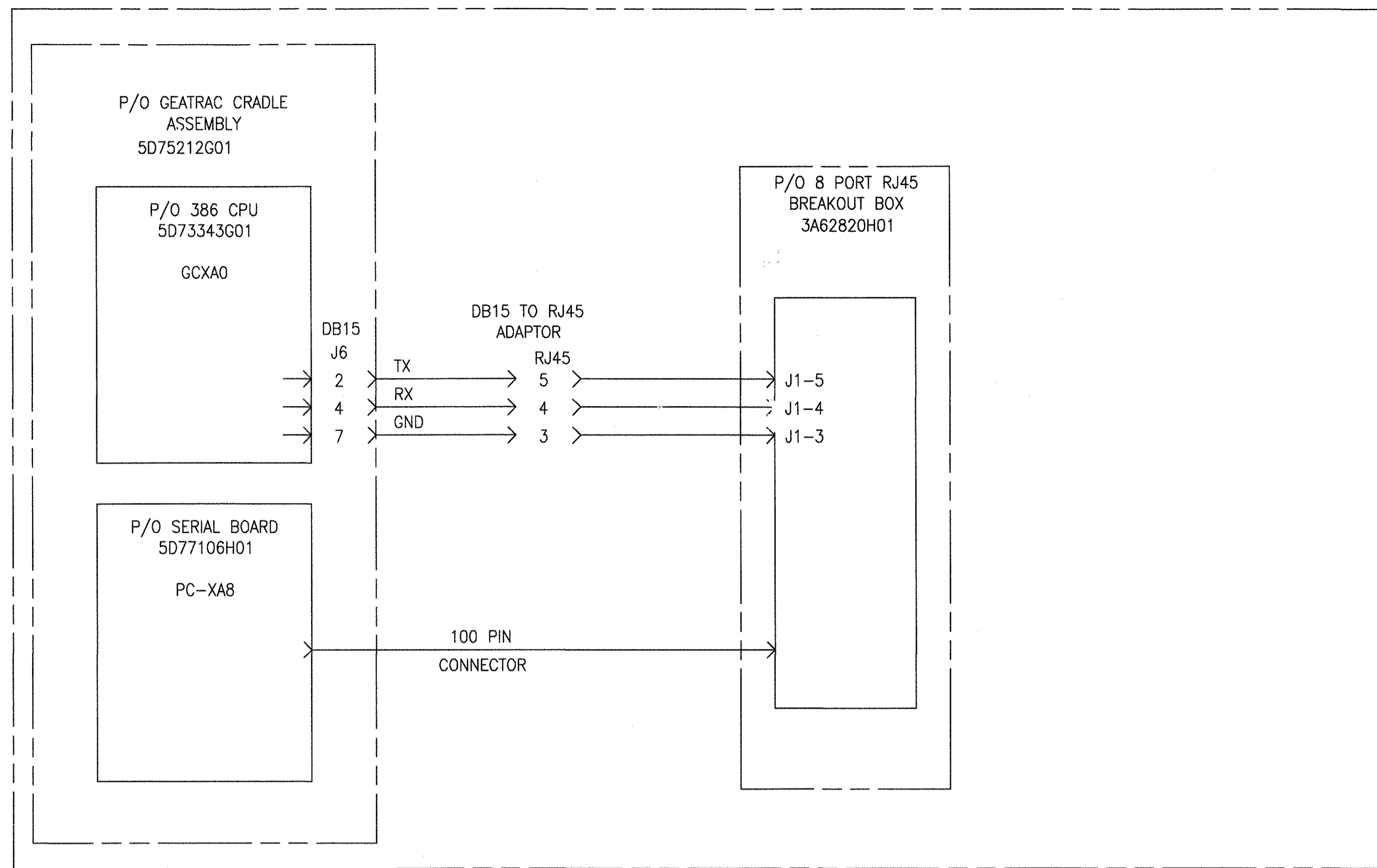
PROPRIETARY INFORMATION - SEE SHEET 1

GEOMETRIC CHARACTERISTIC SYMBOLS	
FLATNESS	▭
STRAIGHTNESS	—
ROUNDNESS (CIRCULARITY)	○
CYLINDRICITY	⊘
PROFILE OF ANY LINE	⌒
PROFILE OF ANY SURFACE	⌒
PARALLELISM	∥
PERPENDICULARITY (SQUARENESS)	⊥
ANGULARITY	∠
RUNOUT	↻
TRUE POSITION	⊕
CONCENTRICITY	⊙
SYMMETRY	⊞
MAXIMUM MATERIAL CONDITION (MMC)	Ⓜ
REGARDLESS OF FEATURE SIZE	Ⓜ

DFTM.	R.ANDERSON	DATE	4-11-02
CHKR.			
ENGRG.	R.KORTYNA		
MFG.			
APPD.			
DFTG. SUPV.	J.CARNEVALE		

<b>BOMBARDIER</b>		
TITLE		
HOUSTON PHASE 2		
WAYSIDE SYSTEM SCHEMATIC		
DIMENSIONS IN INCHES		
SIZE	DWG. NO.	REV.
D	6D61054	7
SCALE	NONE	WT.
		SHEET 15

MAINTENANCE ATO CABINET [1401]



MAINTENANCE - INTRUSION ALARM INPUTS

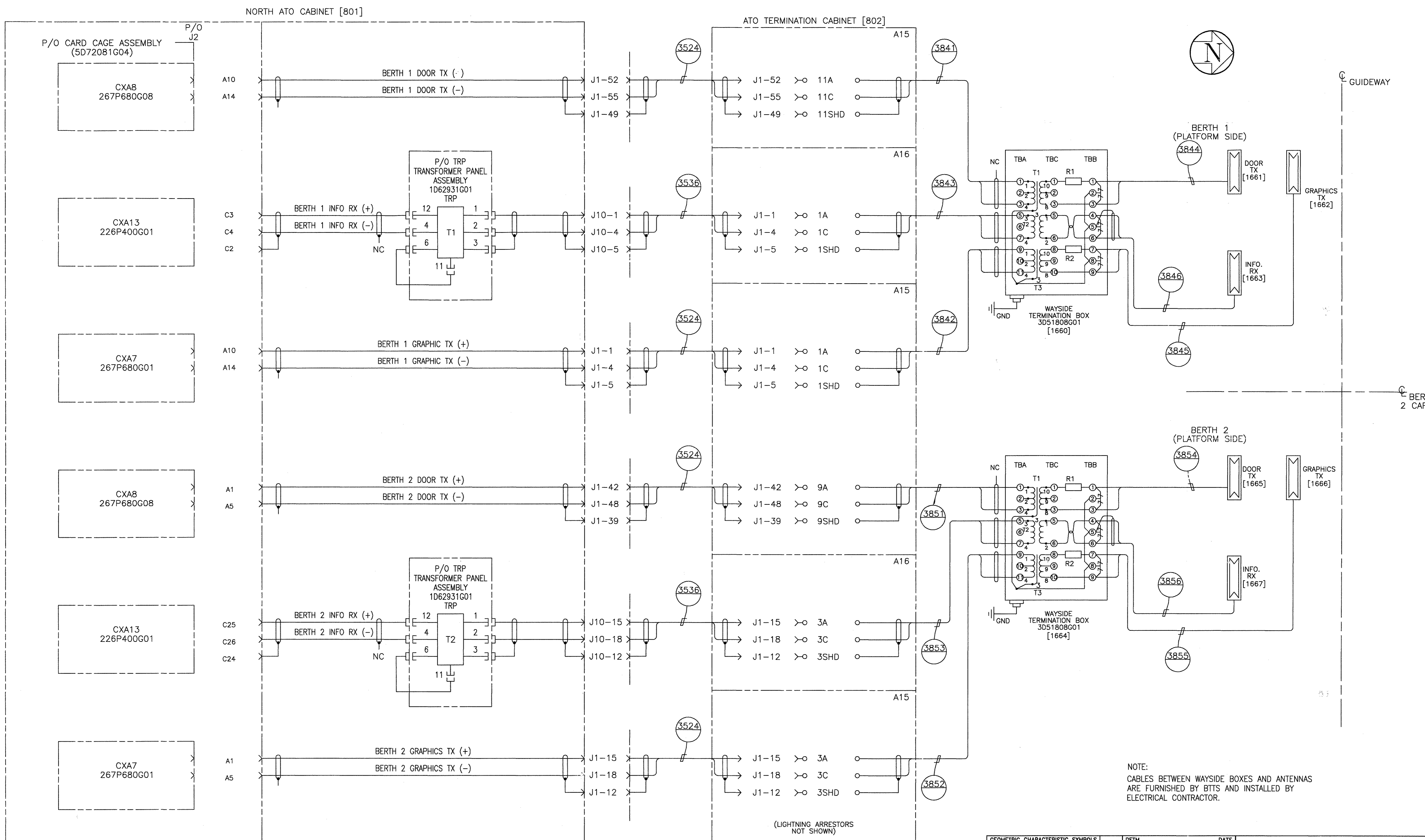
GEOMETRIC CHARACTERISTIC SYMBOLS	
FLATNESS	▭
STRAIGHTNESS	—
ROUNDNESS (CIRCULARITY)	○
CYLINDRICITY	⊘
PROFILE OF ANY LINE	⌒
PROFILE OF ANY SURFACE	⌒
PARALLELISM	∥
PERPENDICULARITY (SQUARENESS)	⊥
ANGULARITY	∠
RUNOUT	↻
TRUE POSITION	⊕
CONCENTRICITY	⊙
SYMMETRY	⊞
MAXIMUM MATERIAL CONDITION (MMC)	Ⓜ
REGARDLESS OF FEATURE SIZE	Ⓜ

DFTM.	R.ANDERSON	DATE	4-11-02
CHKR.			
ENGRG.	R.KORTYNA		
MFG.			
APPD.			
DFTG. SUPV.	J.CARNEVALE		

<b>BOMBARDIER</b>	
TITLE	
HOUSTON PHASE 2	
WAYSIDE SYSTEM SCHEMATIC	
DIMENSIONS IN INCHES	
SIZE	D
DW.G. NO.	6D61054
REV.	7
SCALE	NONE
WT.	
SHEET	16

PROPRIETARY INFORMATION - SEE SHEET 1

AutoCAD



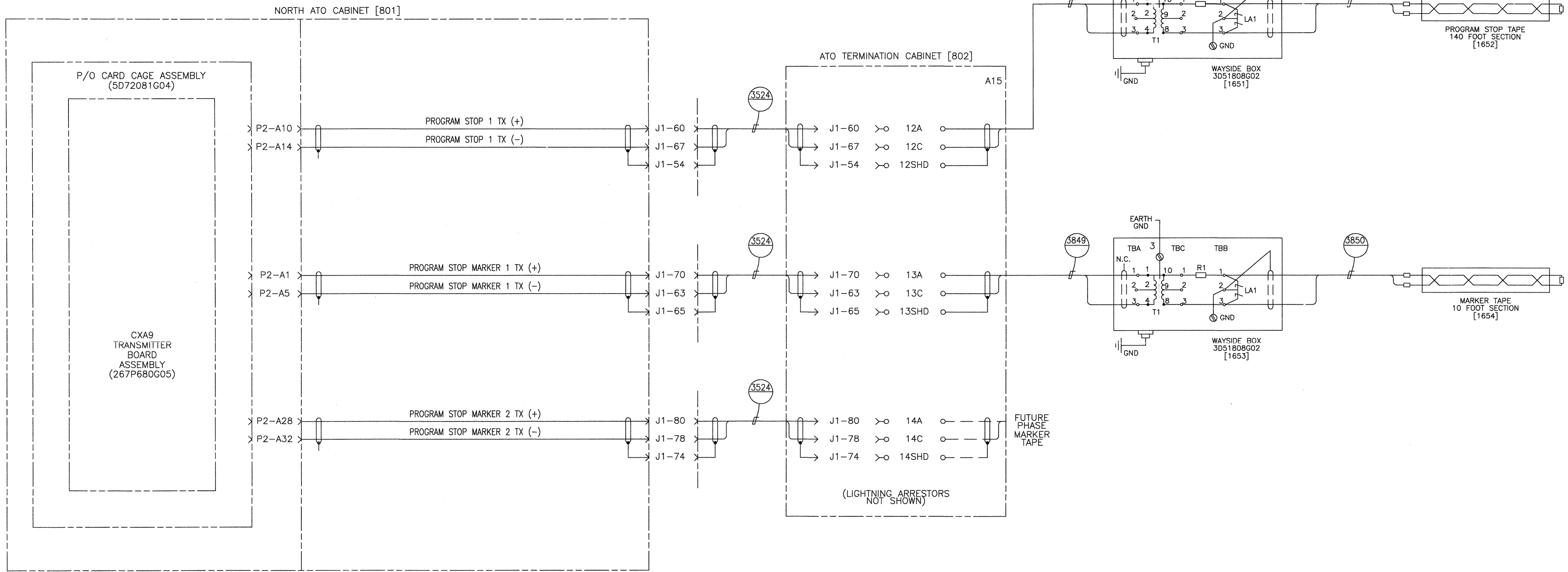
NOTE:  
 CABLES BETWEEN WAYSIDE BOXES AND ANTENNAS  
 ARE FURNISHED BY BITS AND INSTALLED BY  
 ELECTRICAL CONTRACTOR.

TERMINAL D NORTH STATION  
 DOOR, GRAPHICS AND INFORMATION ANTENNA

GEOMETRIC CHARACTERISTIC SYMBOLS FLATNESS ———— STRAIGHTNESS ———— ROUNDNESS (CIRCULARITY) ———— CYLINDRICITY ———— PROFILE OF ANY LINE ———— PROFILE OF ANY SURFACE ———— PARALLELISM ———— PERPENDICULARITY (SQUARENESS) ———— ANGULARITY ———— RUNOUT ———— TRUE POSITION ———— CONCENTRICITY ———— SYMMETRY ———— MAXIMUM MATERIAL CONDITION (MMC) ———— REGARDLESS OF FEATURE SIZE ————	DFTM. R.ANDERSON 4-11-02 DATE	<b>BOMBARDIER</b>  TITLE HOUSTON PHASE 2 WAYSIDE SYSTEM SCHEMATIC
	ENGRG. R.KORTYNA MFG.	
REF. DWG.	APPD. DFTG. SUPV. J.CARNEVALE	SCALE NONE WT. SHEET 18

PROPRIETARY INFORMATION - SEE SHEET 1

AutoCAD



NOTE:  
PHYSICAL LAYOUT NOT SHOWN HFRE.

TERMINAL D NORTH STATION  
PROGRAM STOP AND MARKER TAPE INTERFACE

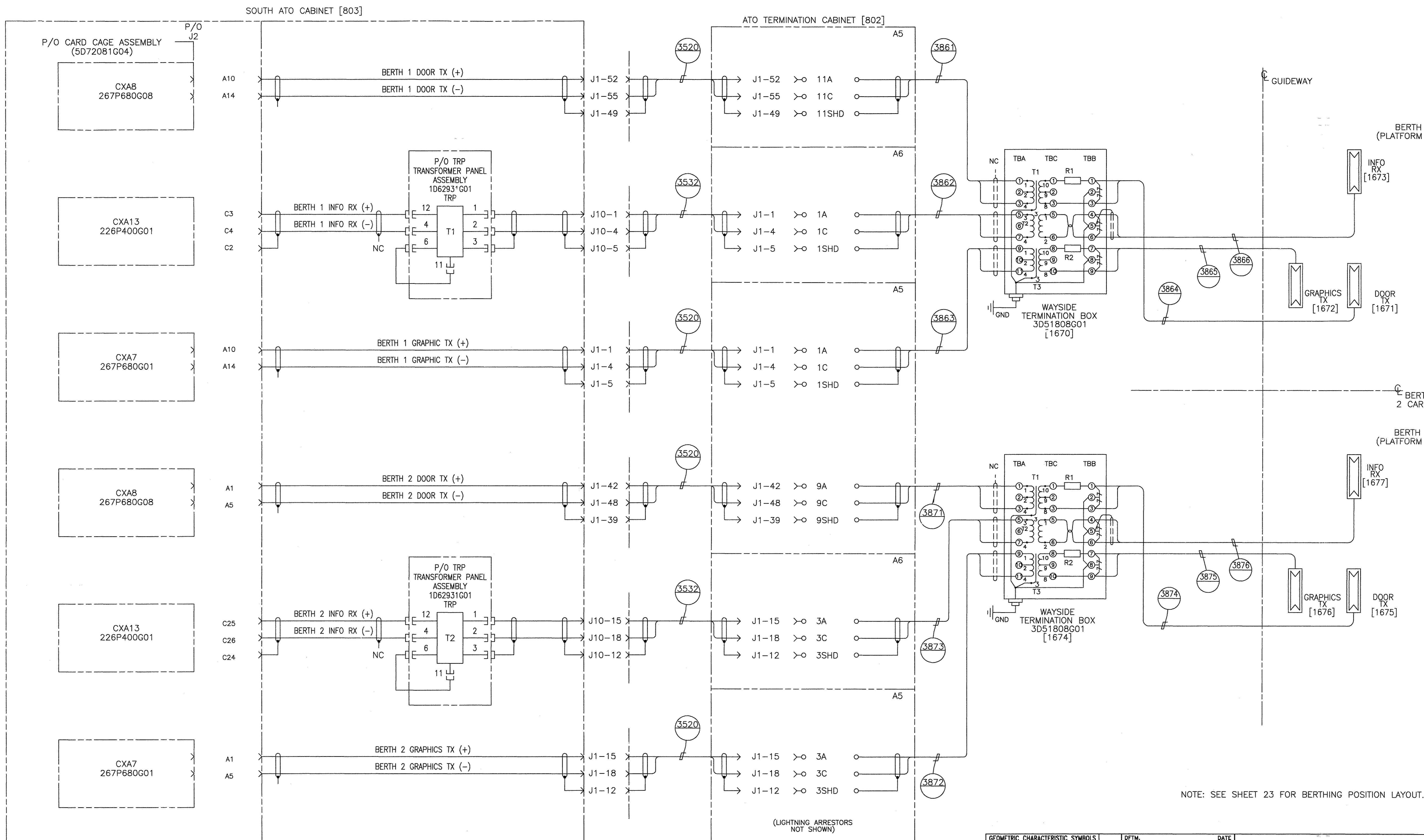
PROPRIETARY INFORMATION - SEE SHEET 1

AutoCAD

GEOMETRIC CHARACTERISTIC SYMBOLS	
FLATNESS	▭
STRAIGHTNESS	—
ROUNDNESS (CIRCULARITY)	○
CYLINDRICITY	⊘
PROFILE OF ANY LINE	⌒
PROFILE OF ANY SURFACE	⌒
PARALLELISM	∥
PERPENDICULARITY (SQUARENESS)	⊥
ANGULARITY	∠
RUNOUT	↻
TRUE POSITION	⊕
CONCENTRICITY	⊙
SYMMETRY	⊞
MAXIMUM MATERIAL CONDITION (MMC)	Ⓜ
REGARDLESS OF FEATURE SIZE	Ⓜ

DFTM. R.ANDERSON 4-11-02	DATE
CHKR.	
ENGRG. R.KORTYNA	
MFG.	
APPD.	
DFTG. SUPV. J.CARNEVALE	

<b>BOMBARDIER</b>	
HOUSTON PHASE 2	
WAYSIDE SYSTEM SCHEMATIC	
DIMENSIONS IN INCHES	
SIZE <b>D</b>	DWG. NO. <b>6D61054</b>
SCALE NONE	REV. <b>7</b>
WT.	SHEET 19



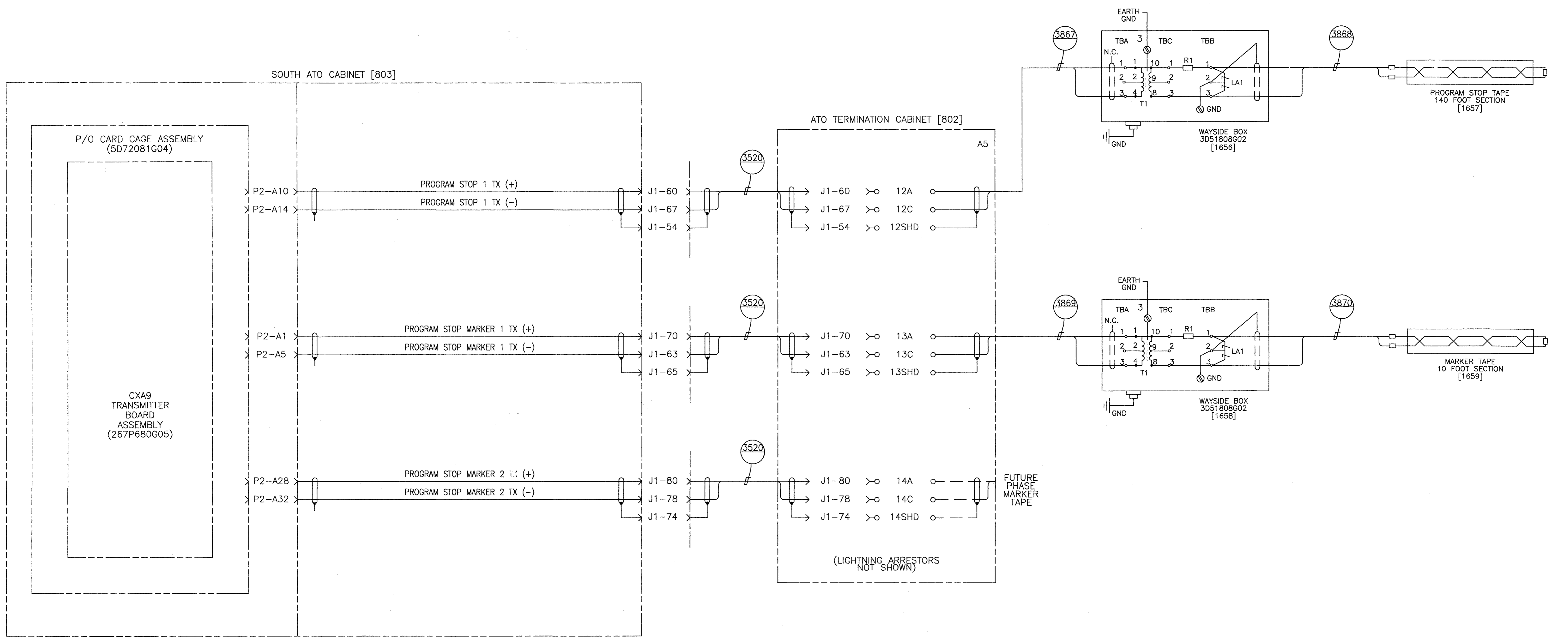
TERMINAL D SOUTH STATION  
 DOOR, GRAPHICS AND INFORMATION ANTENNA

NOTE: SEE SHEET 23 FOR BERTHING POSITION LAYOUT.

<b>GEOMETRIC CHARACTERISTIC SYMBOLS</b> FLATNESS STRAIGHTNESS ROUNDNESS (CIRCULARITY) CYLINDRICITY PROFILE OF ANY LINE PROFILE OF ANY SURFACE PARALLELISM PERPENDICULARITY (SQUARENESS) ANGULARITY RUNOUT TRUE POSITION CONCENTRICITY SYMMETRY MAXIMUM MATERIAL CONDITION (MMC) REGARDLESS OF FEATURE SIZE		DFTM. R.ANDERSON 4-11-02 CHKR. ENGRG. R.KORTYNA MFG. APPD. DFTG. SUPV. J.CARNEVALE	DATE 4-11-02 TITLE HOUSTON PHASE 2 WAYSIDE SYSTEM SCHEMATIC DIMENSIONS IN INCHES SIZE D SCALE NONE WT. SHEET 21	<b>BOMBARDIER</b> DWO. NO. 6D61054 REV. 7
---	--	--	--	---

PROPRIETARY INFORMATION - SEE SHEET 1





NOTE:  
PHYSICAL LAYOUT NOT SHOWN HERE.

TERMINAL D SOUTH STATION  
PROGRAM STOP AND MARKER TAPE INTERFACE

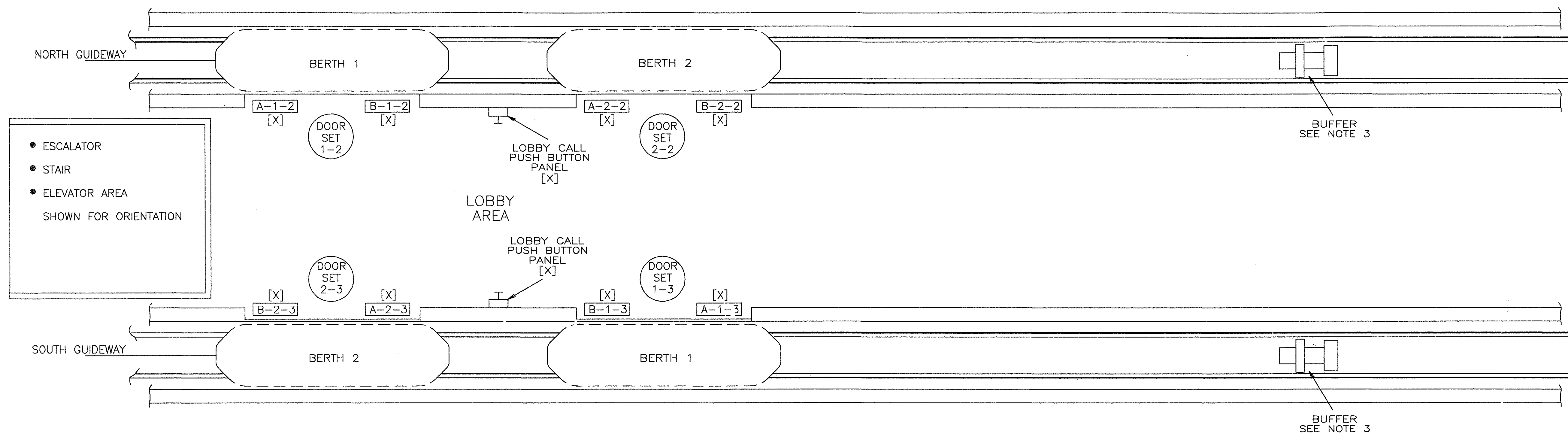
PROPRIETARY INFORMATION - SEE SHEET 1

AutoCAD

<b>GEOMETRIC CHARACTERISTIC SYMBOLS</b> FLATNESS STRAIGHTNESS ROUNDNESS (CIRCULARITY) CYLINDRICITY PROFILE OF ANY LINE PROFILE OF ANY SURFACE PARALLELISM PERPENDICULARITY (SQUARENESS) ANGULARITY RUNOUT TRUE POSITION CONCENTRICITY SYMMETRY MAXIMUM MATERIAL CONDITION (MMC) REGARDLESS OF FEATURE SIZE		DFTM. R.ANDERSON 4-11-02 CHKR. ENGRG. R.KORTYNA MFG. APPD. DFTG. SUPV. J.CARNEVALE	DATE 4-11-02	TITLE HOUSTON PHASE 2 WAYSIDE SYSTEM SCHEMATIC	DIMENSIONS IN INCHES SIZE D	DWG. NO. 6D61054	REV. 7
SCALE NONE WT.		SHEET 22					

NOTES:

1. VEHICLES IN TERMINAL C STATION OCCUPY BERTHS 1 & 2 OF BOTH GUIDEWAYS. BERTH 1 IS FOR FUTURE REFERENCE.
2. EACH LOBBY AREA SIDE HAS ONE SET OF DOOR CONTRCLLERS. THERE ARE TWO DOOR OPERATORS PER DOOR SET, IDENTIFIED 'S' DOOR OPERATOR "A" AND DOOR OPERATOR "B". WHEN FACING A VEHICLE SIDE IN ANY OF THE STATION LOBBIES, DOOR OPERATOR "A" IS ALWAYS ON THE LEFT SIDE AND DOOR OPERATOR "B" IS ALWAYS ON THE RIGHT SIDE OF EACH VEHICLE.
3. BUFFERS SHOWN FOR ORIENTATION ONLY.



TERMINAL D STATION DOOR CONTROLLER IDENTIFICATION ASSIGNMENTS

PROPRIETARY INFORMATION - SEE SHEET 1

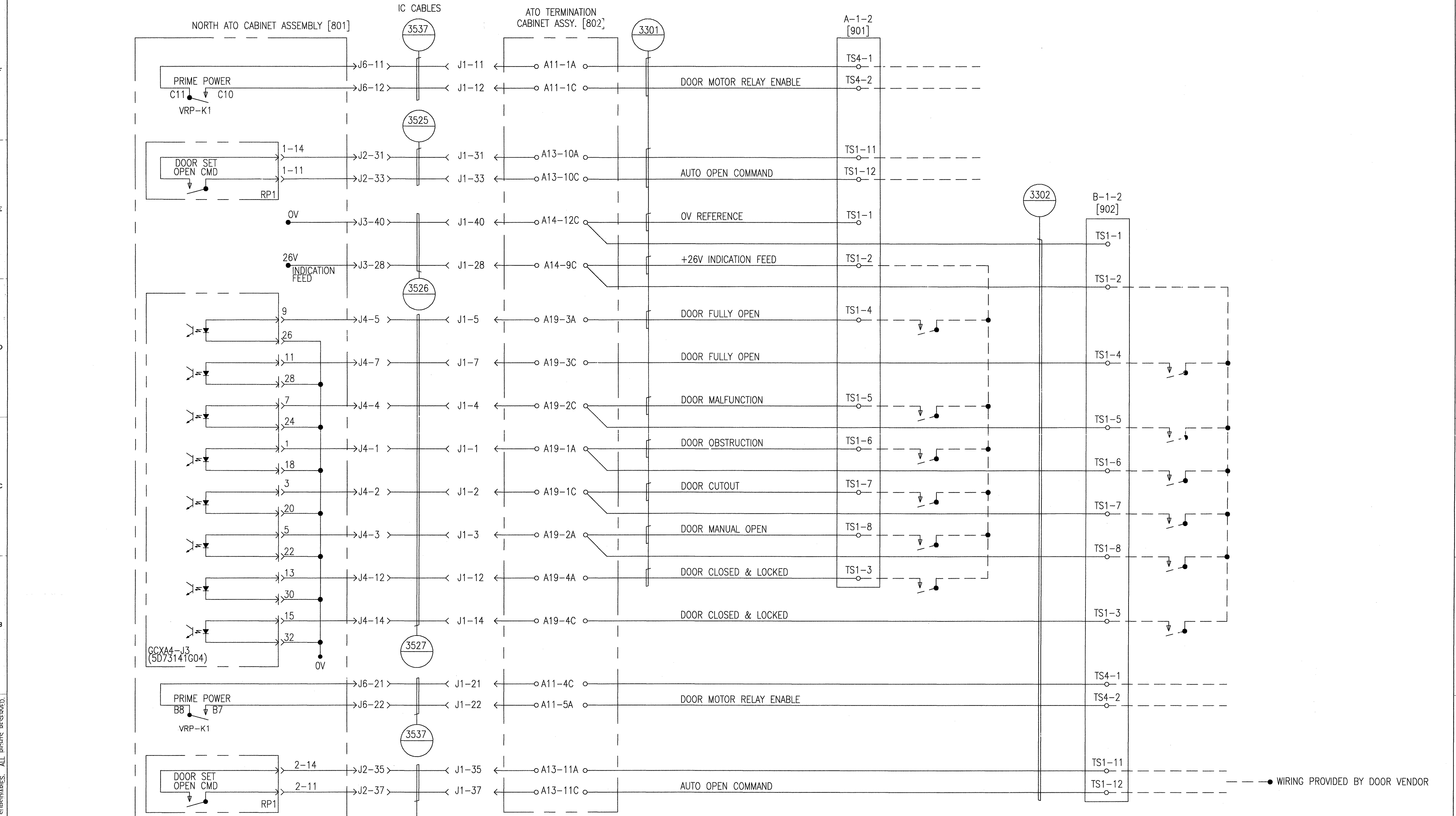
AutoCAD

GEOMETRIC CHARACTERISTIC SYMBOLS	
FLATNESS	▭
STRAIGHTNESS	—
ROUNDNESS (CIRCULARITY)	○
CYLINDRICITY	⊘
PROFILE OF ANY LINE	⌒
PROFILE OF ANY SURFACE	⌒
PARALLELISM	∥
PERPENDICULARITY (SQUARENESS)	⊥
ANGULARITY	∠
RUNOUT	↻
TRUE POSITION	⊕
CONCENTRICITY	⊙
SYMMETRY	⊞
MAXIMUM MATERIAL CONDITION (MMC)	Ⓜ
REGARDLESS OF FEATURE SIZE	Ⓜ

DFTM.	R.ANDERSON 4-11-02	DATE	
CHKR.			
ENGRG.	R.KORTYNA		
MFG.			
APPD.			
DFTG. SUPV.	J.CARNEVALE		

<b>BOMBARDIER</b>			
TITLE			
HOUSTON PHASE 2			
WAYSIDE SYSTEM SCHEMATIC			
DIMENSIONS IN INCHES			
SIZE	D	DWG. NO.	6D61054
SCALE	NONE	WT.	
SHEET	23	REV.	7





TERMINAL D NORTH GUIDEWAY  
STATION DOOR INTERFACE  
BERTH 1 DOOR SET 1-2

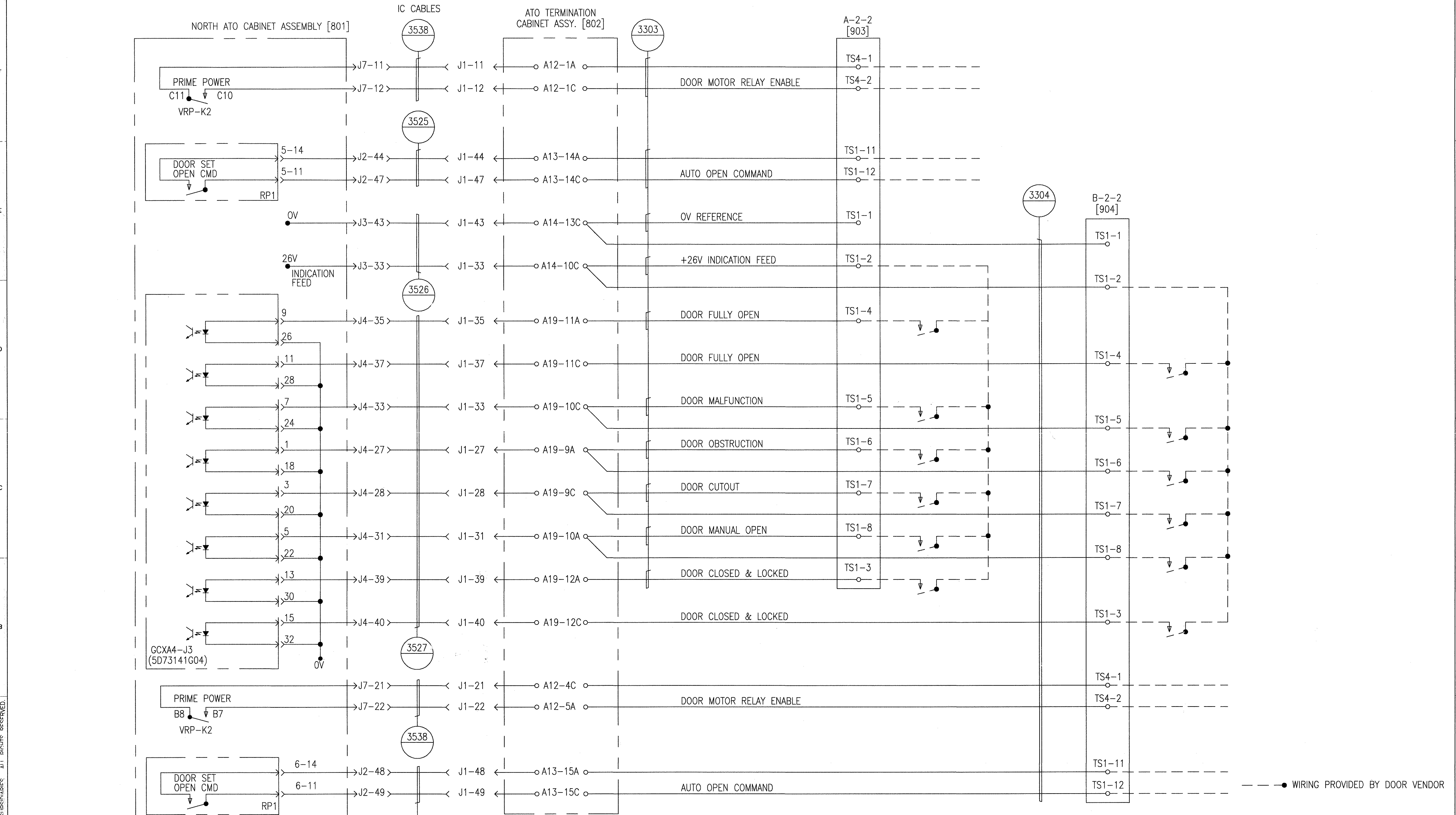
PROPRIETARY INFORMATION - SEE SHEET 1

AutoCAD

GEOMETRIC CHARACTERISTIC SYMBOLS	
FLATNESS	▭
STRAIGHTNESS	—
ROUNDNESS (CIRCULARITY)	○
CYLINDRICITY	∅
PROFILE OF ANY LINE	⌒
PROFILE OF ANY SURFACE	⌒
PARALLELISM	∥
PERPENDICULARITY (SQUARENESS)	⊥
ANGULARITY	∠
RUNOUT	↻
TRUE POSITION	⊕
CONCENTRICITY	⊙
SYMMETRY	⊞
MAXIMUM MATERIAL CONDITION (MMC)	Ⓜ
REGARDLESS OF FEATURE SIZE	Ⓛ

DFTM. R.ANDERSON 4-11-02	DATE
ENGRG. R.KORTYNA	
MFG.	
APPD.	
DFTG. SUPV. J.CARNEVALE	77

<b>BOMBARDIER</b>		
TITLE HOUSTON PHASE 2 WAYSIDE SYSTEM SCHEMATIC		
DIMENSIONS IN INCHES		
SIZE D	DWG. NO. 6D61054	REV. 7
SCALE NONE	WT.	SHEET 24



**TERMINAL D NORTH GUIDEWAY  
STATION DOOR INTERFACE  
BERTH 2 DOOR SET 2-2**

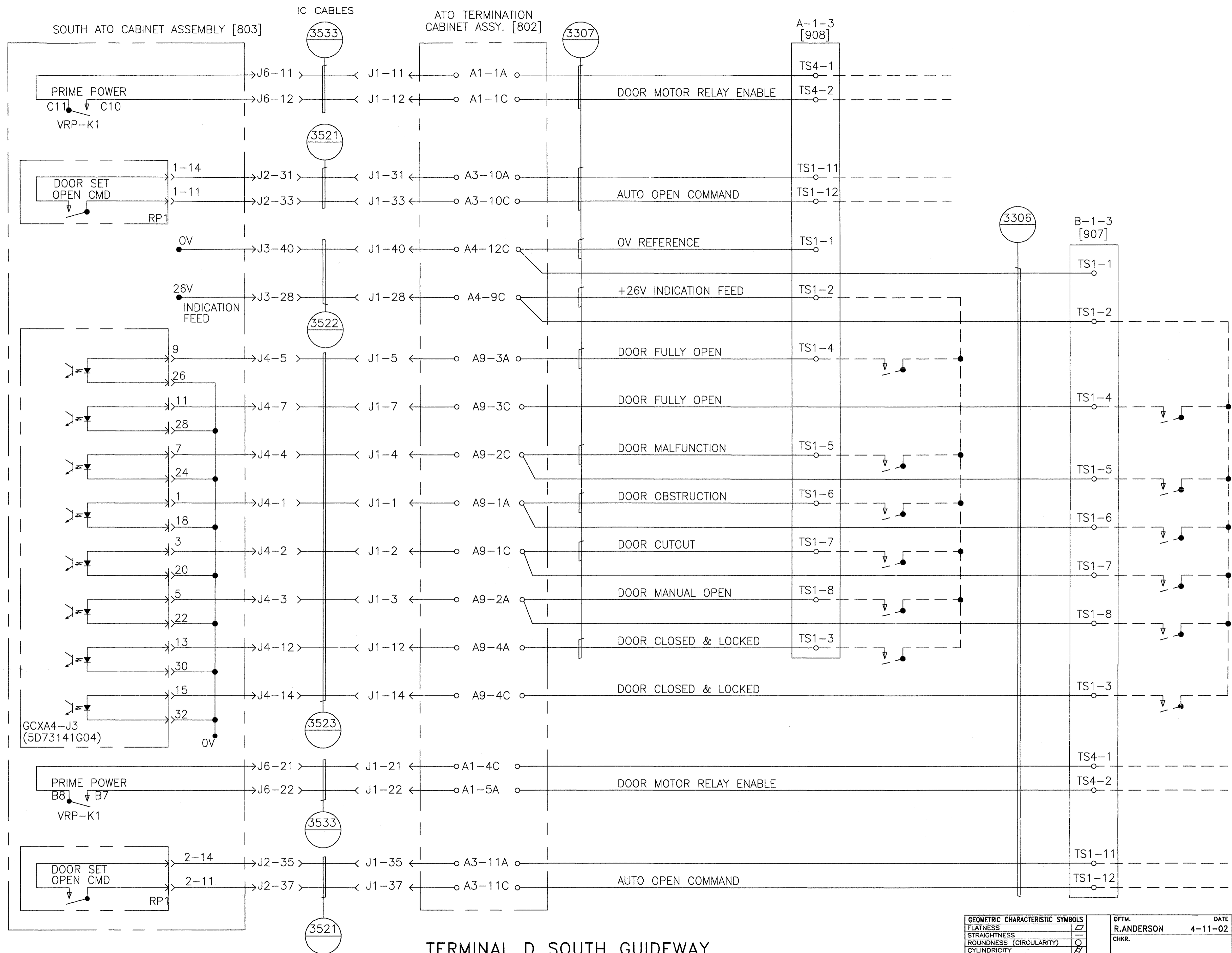
GEOMETRIC CHARACTERISTIC SYMBOLS	
FLATNESS	▭
STRAIGHTNESS	—
ROUNDNESS (CIRCULARITY)	○
CYLINDRICITY	○
PROFILE OF ANY LINE	⌒
PROFILE OF ANY SURFACE	⌒
PARALLELISM	∥
PERPENDICULARITY (SQUARENESS)	⊥
ANGULARITY	∠
ROUNDNESS	⊖
TRUE POSITION	⊕
CONCENTRICITY	⊙
SYMMETRY	⊞
MAXIMUM MATERIAL CONDITION (MMC)	Ⓜ
REGARDLESS OF FEATURE SIZE	Ⓜ

DFTM. R. ANDERSON 4-11-02	DATE
CHKR.	
ENGRG. R. KORTYNA	
MFG.	
APPD.	
DFTG. SUPV. J. CARNEVALE	

<b>BOMBARDIER</b>	
TITLE HOUSTON PHASE 2 WAYSIDE SYSTEM SCHEMATIC	
DIMENSIONS IN INCHES	
SIZE D	DWG. NO. 6D61054
SCALE NONE	WT. SHEET 25
REV. 7	

PROPRIETARY INFORMATION - SEE SHEET 1

AutoCAD



---● WIRING PROVIDED BY DOOR VENDOR

TERMINAL D SOUTH GUIDEWAY  
STATION DOOR INTERFACE  
BERTH 1 DOOR SET 1-3

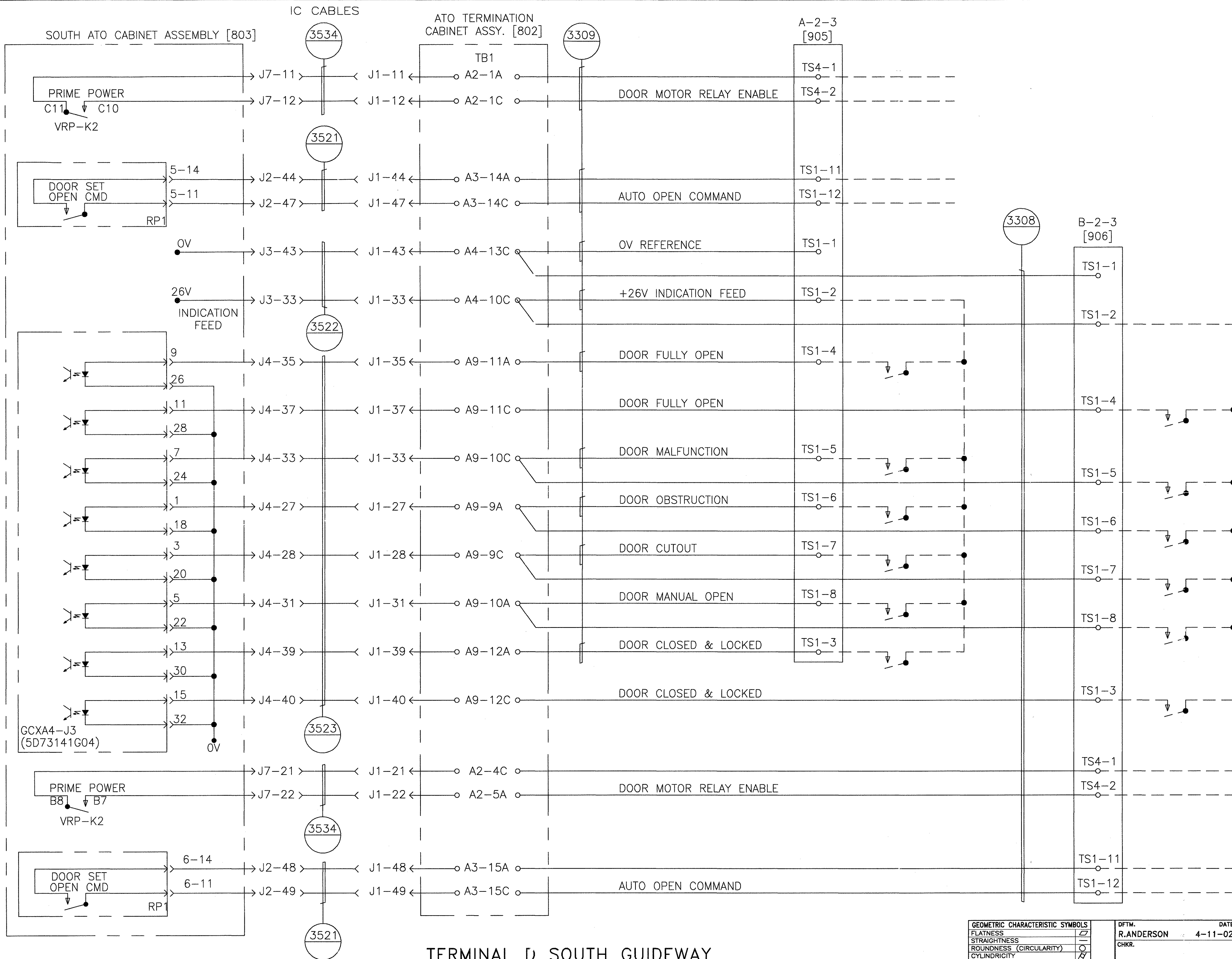
GEOMETRIC CHARACTERISTIC SYMBOLS	
FLATNESS	▭
STRAIGHTNESS	—
ROUNDNESS (CIRCULARITY)	○
CYLINDRICITY	⊘
PROFILE OF ANY LINE	⌒
PROFILE OF ANY SURFACE	⌒
PARALLELISM	∥
PERPENDICULARITY (SQUARENESS)	⊥
ANGULARITY	∠
RUNOUT	↻
TRUE POSITION	⊕
CONCENTRICITY	⊙
SYMMETRY	⊞
MAXIMUM MATERIAL CONDITION (MMC)	Ⓜ
REGARDLESS OF FEATURE SIZE	Ⓜ

DFTM.	R.ANDERSON	DATE	4-11-02
CHKR.			
ENGRG.	R.KORTYNA		
MFG.			
APPD.			
DFTG. SUPV.	J.CARNEVALE		

<b>BOMBARDIER</b>		
TITLE		
HOUSTON PHASE 2		
WAYSIDE SYSTEM SCHEMATIC		
DIMENSIONS IN INCHES		
SIZE	DWG. NO.	REV.
D	6D61054	7
SCALE	NONE	WT.
		SHEET 26

PROPRIETARY INFORMATION - SEE SHEET 1

AutoCAD



---● WIRING PROVIDED BY DOOR VENDOR

TERMINAL D SOUTH GUIDEWAY  
STATION DOOR INTERFACE  
BERTH 2 DOOR SET 2-3

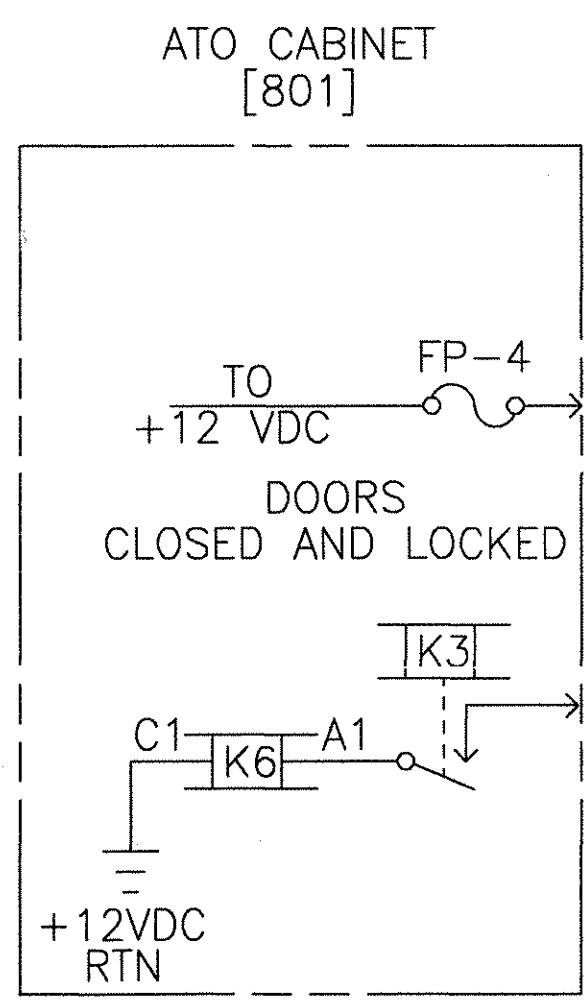
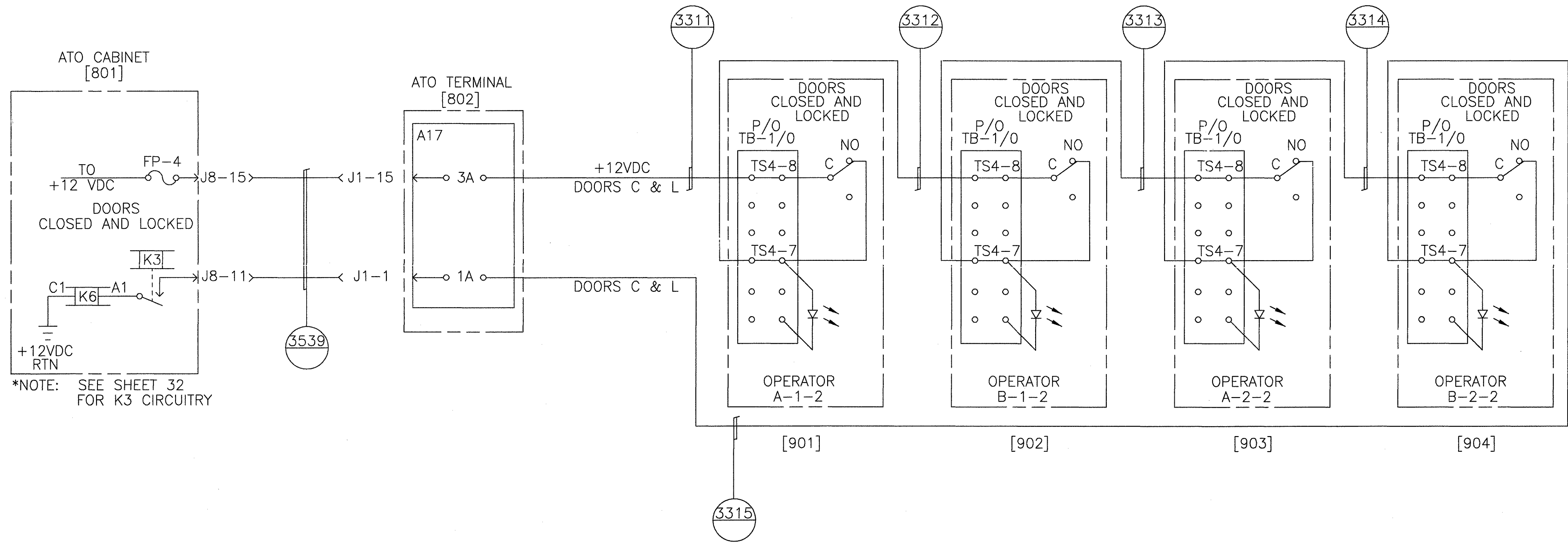
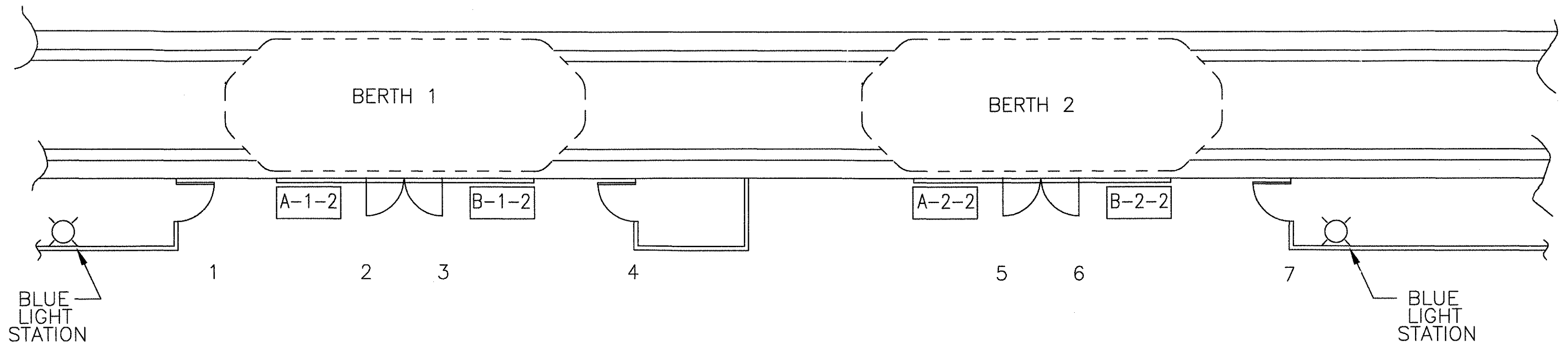
GEOMETRIC CHARACTERISTIC SYMBOLS	
FLATNESS	▭
STRAIGHTNESS	—
ROUNDNESS (CIRCULARITY)	○
CYLINDRICITY	⊘
PROFILE OF ANY LINE	⌒
PROFILE OF ANY SURFACE	⌒
PARALLELISM	∥
PERPENDICULARITY (SQUARENESS)	⊥
ANGULARITY	∠
RUNOUT	↻
TRUE POSITION	⊕
CONCENTRICITY	⊙
SYMMETRY	⊞
MAXIMUM MATERIAL CONDITION (MMC)	Ⓜ
REGARDLESS OF FEATURE SIZE	Ⓜ

DFTM.	R.ANDERSON	DATE	4-11-02
CHKR.			
ENGRG.	R.KORTYNA		
MFG.			
APPD.			
DFTG. SUPV.	J.CARNEVALE		

<b>BOMBARDIER</b>	
TITLE HCUSTON PHASE 2 WAYSIDE SYSTEM SCHEMATIC	
DIMENSIONS IN INCHES	
SIZE D	DWG. NO. 6D61054
SCALE NONE	WT. SHEET 27
REV. 7	

PROPRIETARY INFORMATION - SEE SHEET 1

AutoCAD



\*NOTE: SEE SHEET 32 FOR K3 CIRCUITRY

TERMINAL D NORTH STATION  
PASSENGER DOORS CLOSED & LOCKED INTERFACE

PROPRIETARY INFORMATION - SEE SHEET 1

AutoCAD

GEOMETRIC CHARACTERISTIC SYMBOLS	
FLATNESS	▭
STRAIGHTNESS	—
ROUNDNESS (CIRCULARITY)	○
CYLINDRICITY	∅
PROFILE OF ANY LINE	⌒
PROFILE OF ANY SURFACE	⌒
PARALLELISM	∥
PERPENDICULARITY (SQUARENESS)	⊥
ANGULARITY	∠
RUNOUT	↻
TRUE POSITION	⊕
CONCENTRICITY	⊙
SYMMETRY	⊞
MAXIMUM MATERIAL CONDITION (MMC)	Ⓜ
REGARDLESS OF FEATURE SIZE	Ⓜ

DFTM. R.ANDERSON	DATE 4-11-02
CHKR.	
ENGRG. R.KORTYNA	
MFG.	
APPD.	
DFTG. SUPV. J.CARNEVALE	

<b>BOMBARDIER</b>		
HOUSTON PHASE 2		
WAYSIDE SYSTEM SCHEMATIC		
DIMENSIONS IN INCHES		
SIZE D	DWG. NO. 6D61054	REV. 7
SCALE NONE	WT.	SHEET 28

11 10 9 8 7 6 5 4 3 2 1

BLANK SHEET

© 2005, Bombardier Inc. or its subsidiaries. ALL RIGHTS RESERVED.

PROPRIETARY INFORMATION - SEE SHEET 1

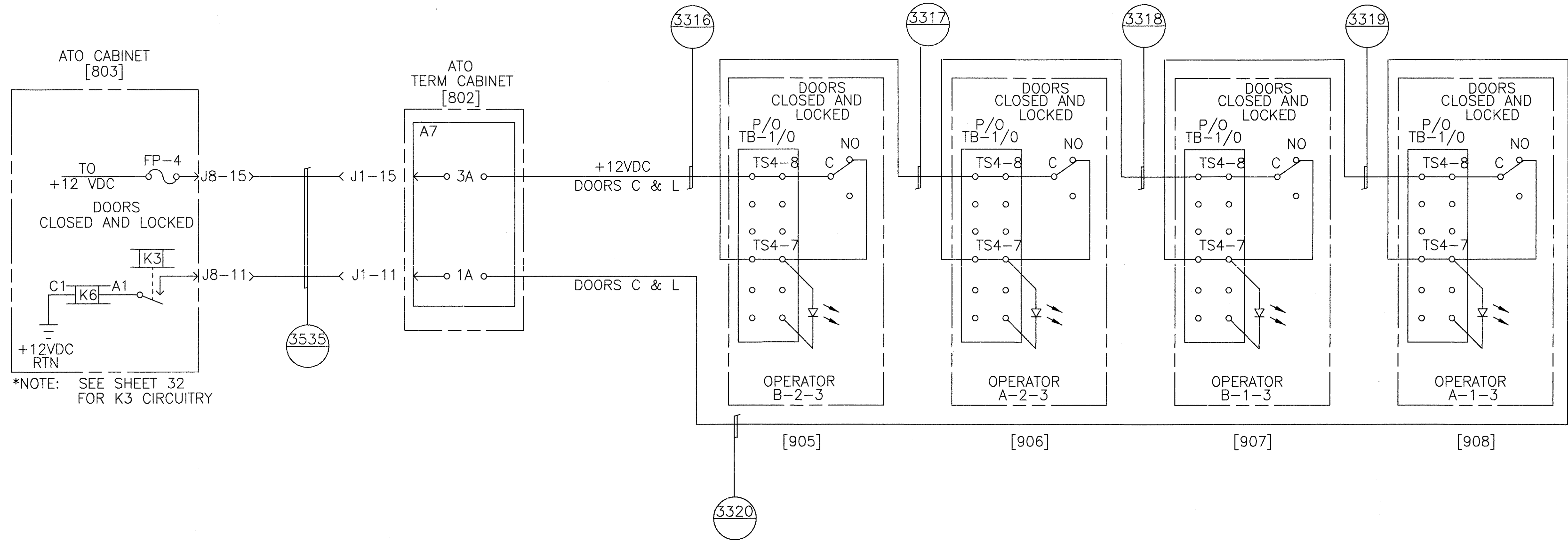
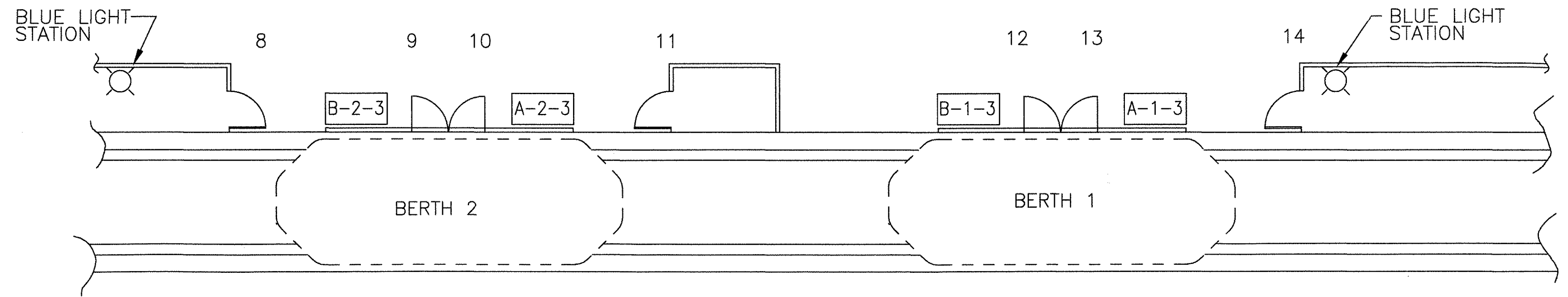
AutoCAD

REV. NO. 1 2 3 4 5 6 7

GEOMETRIC CHARACTERISTIC SYMBOLS	
FLATNESS	▭
STRAIGHTNESS	—
ROUNDNESS (CIRCULARITY)	○
CYLINDRICITY	⊘
PROFILE OF ANY LINE	⌒
PROFILE OF ANY SURFACE	⌒
PARALLELISM	∥
PERPENDICULARITY (SQUARENESS)	⊥
ANGULARITY	∠
RUNOUT	↻
TRUE POSITION	⊕
CONCENTRICITY	⊙
SYMMETRY	⊞
MAXIMUM MATERIAL CONDITION (MMC)	Ⓜ
REGARDLESS OF FEATURE SIZE	Ⓛ

DFTM.	R.ANDERSON	DATE	4-11-02
CHKR.			
ENGRG.	R.KORTYNA		
MFG.			
APPD.			
DFTG. SUPV.	J.CARNEVALE		

<b>BOMBARDIER</b>			
TITLE HOUSTON PHASE 2 WAYSIDE SYSTEM SCHEMATIC			
DIMENSIONS IN INCHES			
SIZE	D	DWG. NO.	6D61054
SCALE	NONE	WT.	
SHEET	29	REV.	7



\*NOTE: SEE SHEET 32 FOR K3 CIRCUITRY

TERMINAL D SOUTH STATION  
PASSENGER DOORS CLOSED & LOCKED INTERFACE

GEOMETRIC CHARACTERISTIC SYMBOLS	
FLATNESS	▭
STRAIGHTNESS	—
ROUNDNESS (CIRCULARITY)	○
CYLINDRICITY	⊘
PROFILE OF ANY LINE	⌒
PROFILE OF ANY SURFACE	⌒
PARALLELISM	∥
PERPENDICULARITY (SQUARENESS)	⊥
ANGULARITY	∠
RUNOUT	↗
TRUE POSITION	⊕
CONCENTRICITY	⊙
SYMMETRY	≡
MAXIMUM MATERIAL CONDITION (MMC)	Ⓜ
REGARDLESS OF FEATURE SIZE	Ⓜ

DFTM. R.ANDERSON	DATE 4-11-02
CHKR.	
ENGRG. R.KORTYNA	
MFG.	
APPD.	
DFTG. SUPV. J.CARNEVALE	

<b>BOMBARDIER</b>		
TITLE HOUSTON PHASE 2		
WAYSIDE SYSTEM SCHEMATIC		
DIMENSIONS IN INCHES		
SIZE D	DWG. NO. 6D61054	REV. 7
SCALE NONE	WT.	SHEET 30

PROPRIETARY INFORMATION - SEE SHEET 1

AutoCAD

REV NO. 1 2 3 4 5 6 7

BLANK SHEET

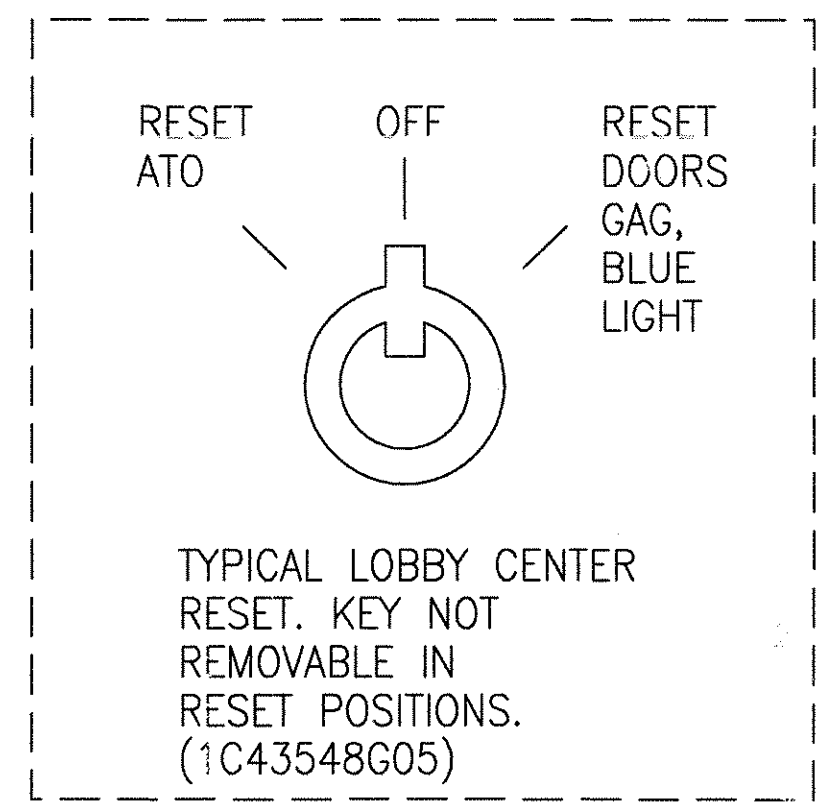
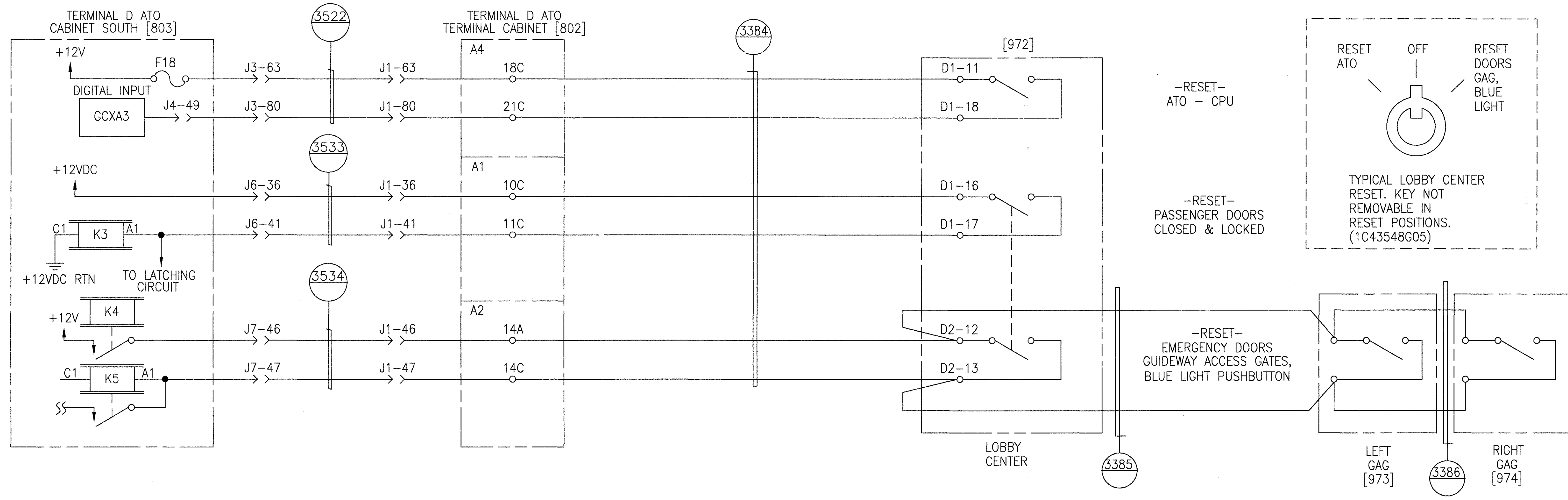
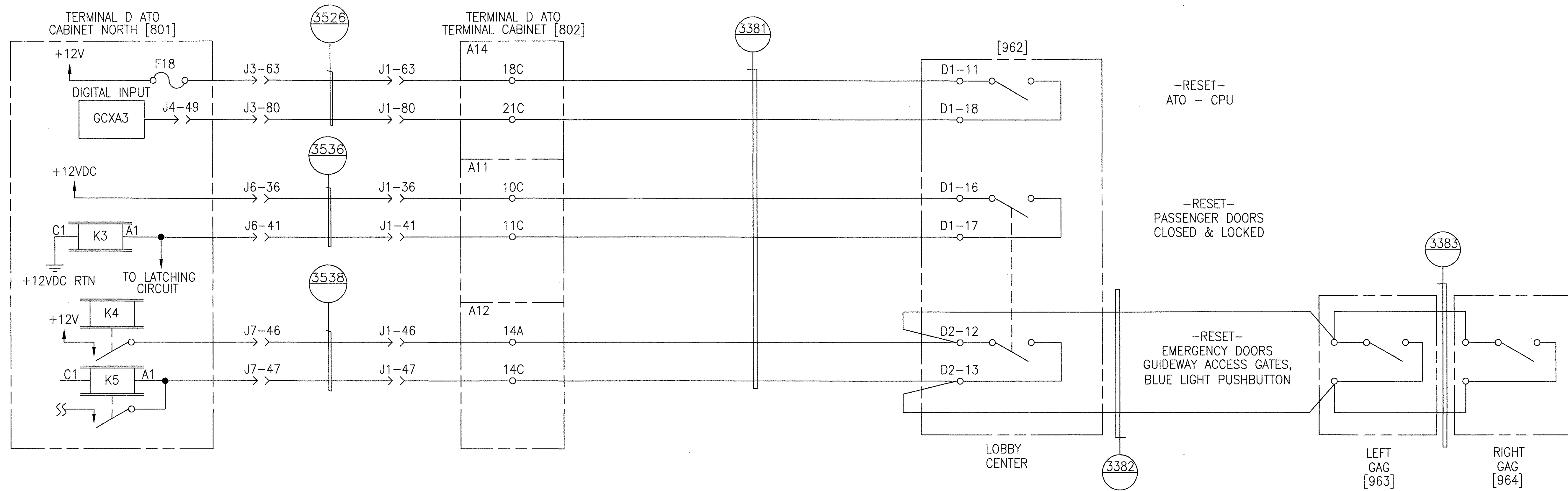
<b>GEOMETRIC CHARACTERISTIC SYMBOLS</b>		DFTM. R.ANDERSON 4-11-02	DATE
FLATNESS		CHKR.	
STRAIGHTNESS			
ROUNDNESS (CIRCULARITY)		ENGRG. R.KORTYNA	
CYLINDRICITY		MFG.	
PROFILE OF ANY LINE			
PROFILE OF ANY SURFACE		APPD.	
PARALLELISM		DFTG. SUPV. J.CARNEVALE	
PERPENDICULARITY (SQUARENESS)			
ANGULARITY			
RUNOUT			
TRUE POSITION			
CONCENTRICITY			
SYMMETRY			
MAXIMUM MATERIAL CONDITION (MMC)			
REGARDLESS OF FEATURE SIZE			

<b>BOMBARDIER</b>		
TITLE HOUSTON PHASE 2 WAYSIDE SYSTEM SCHEMATIC		
DIMENSIONS IN INCHES		
SIZE D	DWG. NO. 6D61054	REV. 7
SCALE NONE	WT.	SHEET 31

PROPRIETARY INFORMATION - SEE SHEET 1

AutoCAD



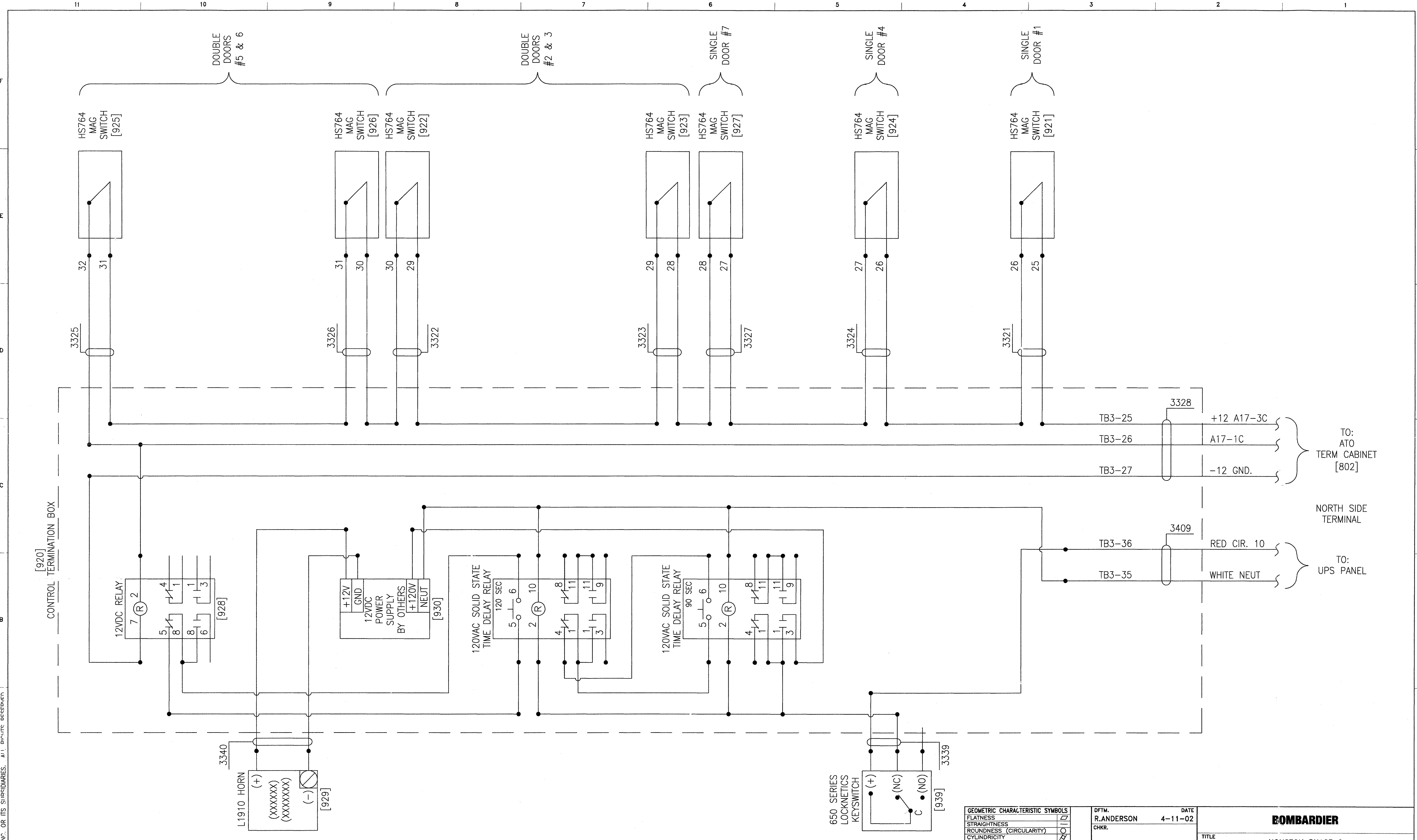


TERMINAL D LOBBY RESET SWITCHES

<b>GEOMETRIC CHARACTERISTIC SYMBOLS</b> FLATNESS STRAIGHTNESS ROUNDNESS (CIRCULARITY) CYLINDRICITY PROFILE OF ANY LINE PROFILE OF ANY SURFACE PARALLELISM PERPENDICULARITY (SQUARENESS) ANGULARITY RUNOUT TRUE POSITION CONCENTRICITY SYMMETRY MAXIMUM MATERIAL CONDITION (MMC) REGARDLESS OF FEATURE SIZE		DFTM. R.ANDERSON 4-11-02 CHKR. ENGRG. R.KORTYNA MFG. APPD. DFTG. SUPV. J.CARNEVALE	DATE 4-11-02 TITLE <b>BOMBARDIER</b> HOUSTON PHASE 2 WAYSIDE SYSTEM SCHEMATIC DIMENSIONS IN INCHES SIZE D DWG. NO. 6D61054 REV. 7 SCALE NONE WT. SHEET 32
---	--	--	---

PROPRIETARY INFORMATION - SEE SHEET 1

AutoCAD



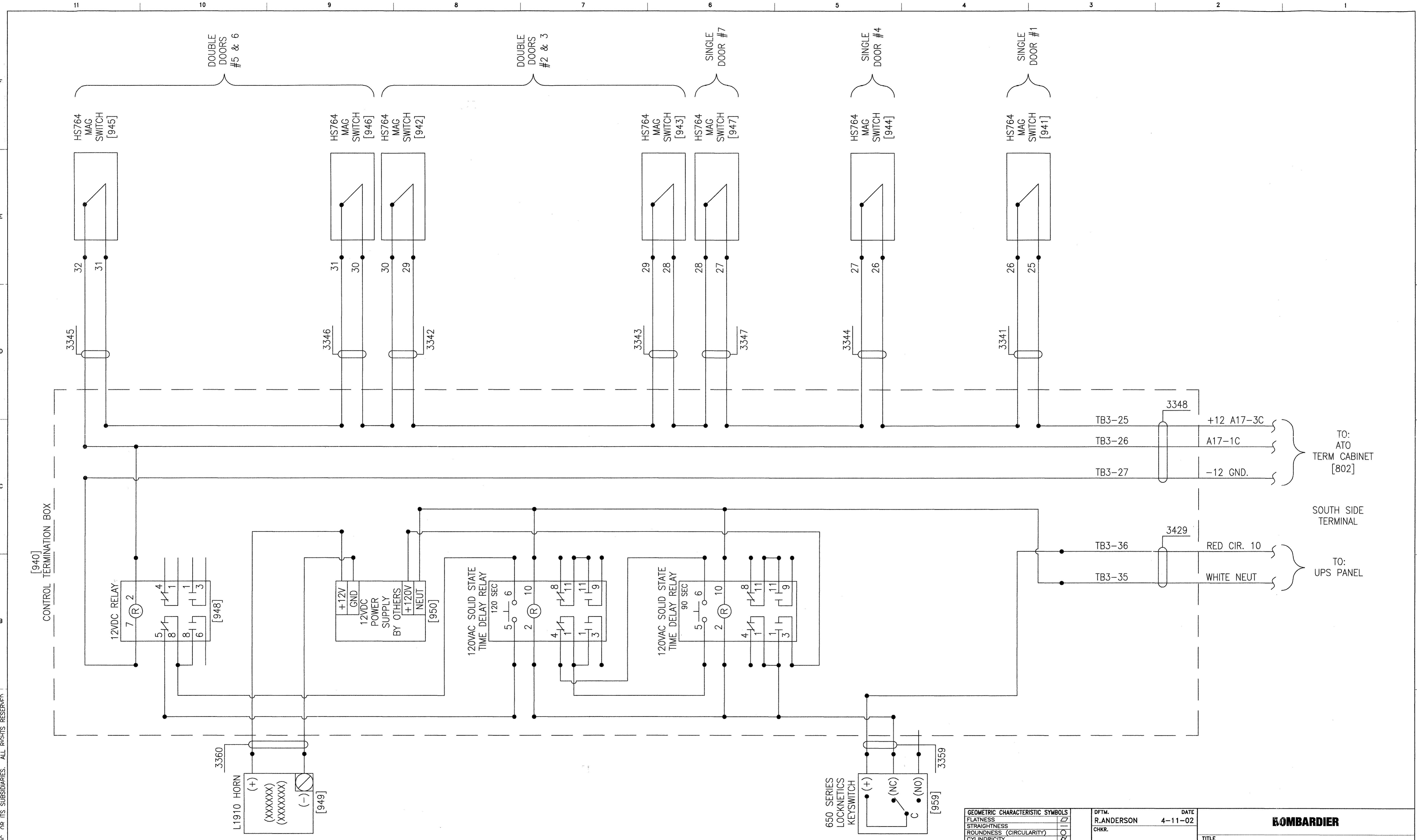
STATION D NORTH EMERGENCY DOOR CLOSED & LOCKED ALARM CIRCUIT

PROPRIETARY INFORMATION - SEE SHEET 1

GEOMETRIC CHARACTERISTIC SYMBOLS	
FLATNESS	▭
STRAIGHTNESS	—
ROUNDNESS (CIRCULARITY)	○
CYLINDRICITY	○
PROFILE OF ANY LINE	⌒
PROFILE OF ANY SURFACE	⌒
PARALLELISM	∥
PERPENDICULARITY (SQUARENESS)	⊥
ANGULARITY	∠
RUNOUT	↻
TRUE POSITION	⊕
CONCENTRICITY	⊙
SYMMETRY	⊞
MAXIMUM MATERIAL CONDITION (MMC)	Ⓜ
REGARDLESS OF FEATURE SIZE	Ⓜ

DFTM. R.ANDERSON	DATE 4-11-02
ENGR. R.KORTYNA	
MFG.	
APPD.	
DFTG. SUPV. J.CARNEVALE	

<b>BOMBARDIER</b>	
HOUSTON PHASE 2	
WAYSIDE SYSTEM SCHEMATIC	
DIMENSIONS IN INCHES	
SIZE D	DW.G. NO. 6D61054
SCALE NONE	WT. SHEET 33
REV. 7	



PROPRIETARY INFORMATION - SEE SHEET 1

STATION D SOUTH EMERGENCY DOOR CLOSED & LOCKED ALARM CIRCUIT

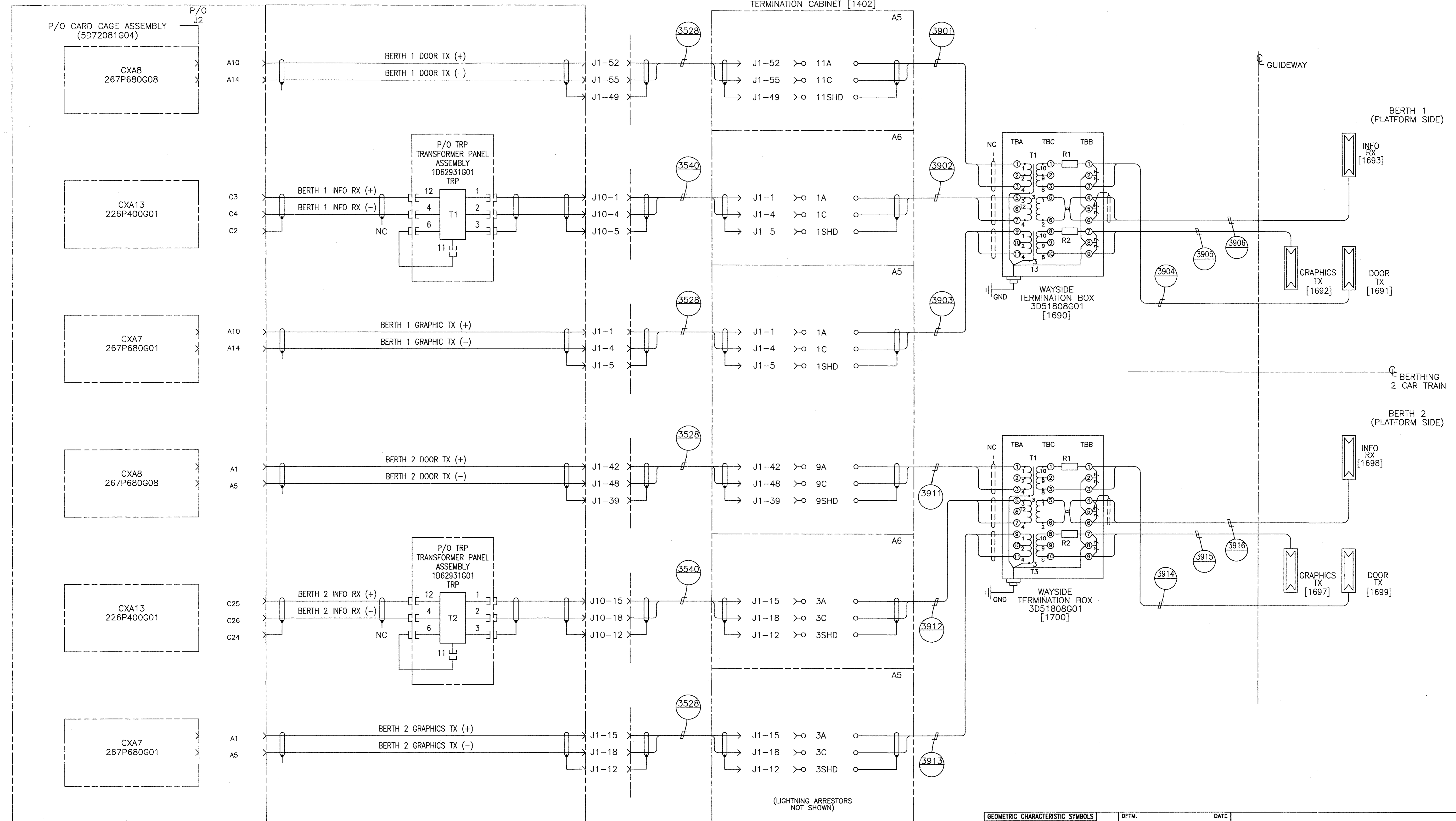
GEOMETRIC CHARACTERISTIC SYMBOLS	
FLATNESS	▭
STRAIGHTNESS	— —
ROUNDNESS (CIRCULARITY)	○
CYLINDRICITY	○
PROFILE OF ANY LINE	—
PROFILE OF ANY SURFACE	—
PARALLELISM	∥
PERPENDICULARITY (SQUARENESS)	⊥
ANGULARITY	∠
RUNOUT	↻
TRUE POSITION	⊕
CONCENTRICITY	⊙
SYMMETRY	⊞
MAXIMUM MATERIAL CONDITION (MMC)	Ⓜ
REGARDLESS OF FEATURE SIZE	Ⓜ

REF. DWG.	DFTM. R.ANDERSON	DATE 4-11-02
	CHKR.	
	ENGRG. R.KORTYNA	
	MFG.	
	APPD.	
	DFTG. SUPV. J.CARNEVALE	

<b>BOMBARDIER</b>		
TITLE HOUSTON PHASE 2 WAYSIDE SYSTEM SCHEMATIC		
DIMENSIONS IN INCHES		
SIZE D	DWG. NO. 6D61054	REV. 7
SCALE NONE	WT.	SHEET 34

MAINTENANCE ATO CABINET [1401]

MAINTENANCE ATO TERMINATION CABINET [1402]



MAINTENANCE DEPARTURE TEST  
DOOR, GRAPHICS AND INFORMATION ANTENNAS

(LIGHTNING ARRESTORS NOT SHOWN)

GEOMETRIC CHARACTERISTIC SYMBOLS	
FLATNESS	▭
STRAIGHTNESS	—
ROUNDNESS (CIRCULARITY)	○
CYLINDRICITY	⊘
PROFILE OF ANY LINE	⌒
PROFILE OF ANY SURFACE	⌒
PARALLELISM	∥
PERPENDICULARITY (SQUARENESS)	⊥
ANGULARITY	∠
RUNOUT	↻
TRUE POSITION	⊕
CONCENTRICITY	⊙
SYMMETRY	⊞
MAXIMUM MATERIAL CONDITION (MMC)	Ⓜ
REGARDLESS OF FEATURE SIZE	Ⓜ

DFTM.	R.ANDERSON	DATE	4-11-02
CHKR.			
ENGRG.	R.KORTYNA		
MFG.			
APPD.			
DFTG. SUPV.	J.CARNEVALE		

<b>BOMBARDIER</b>		
TITLE		
HOUSTON PHASE 2		
WAYSIDE SYSTEM SCHEMATIC		
DIMENSIONS IN INCHES		
SIZE	DWG. NO.	REV.
D	6D61054	7
SCALE	NONE	WT.
		SHEET 35

PROPRIETARY INFORMATION - SEE SHEET 1

AutoCAD

11 10 9 8 7 6 5 4 3 2 1

F  
E  
D  
C  
B  
A

BLANK SHEET

PROPRIETARY INFORMATION - SEE SHEET 1

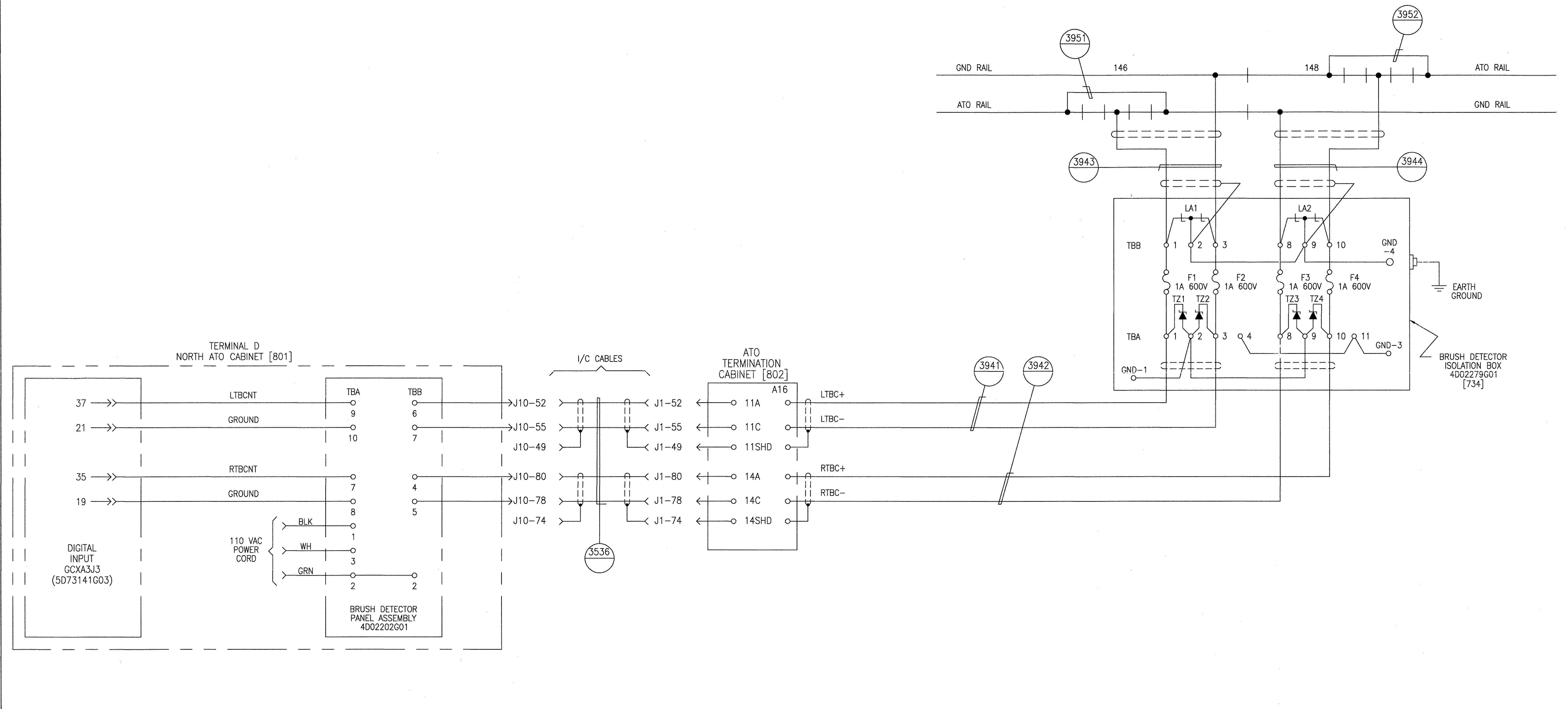
AutoCAD  
REV NO 1 2 3 4 5 6 7 8 9 10 11 12 13 14 15 16 17 18 19 20 21 22 23 24 25 26 27 28 29 30 31 32 33 34 35 36 37 38 39 40 41 42 43 44 45 46 47 48 49 50 51 52 53 54 55 56 57 58 59 60 61 62 63 64 65 66 67 68 69 70 71 72 73 74 75 76 77 78 79 80 81 82 83 84 85 86 87 88 89 90 91 92 93 94 95 96 97 98 99 100

GEOMETRIC CHARACTERISTIC SYMBOLS	
FLATNESS	
STRAIGHTNESS	
ROUNDNESS (CIRCULARITY)	
CYLINDRICITY	
PROFILE OF ANY LINE	
PROFILE OF ANY SURFACE	
PARALLELISM	
PERPENDICULARITY (SQUARENESS)	
ANGULARITY	
RUNOUT	
TRUE POSITION	
CONCENTRICITY	
SYMMETRY	
MAXIMUM MATERIAL CONDITION (MMC)	
REGARDLESS OF FEATURE SIZE	

DFTM.	R.ANDERSON	DATE	4-11-02
CHKR.			
ENGRG.	R.KORTYNA		
MFG.			
APPD.			
DFTG. SUPV.	J.CARNEVALE		

<b>BOMBARDIER</b>			
TITLE			
HOUSTON PHASE 2			
WAYSIDE SYSTEM SCHEMATIC			
DIMENSIONS IN INCHES			
SIZE	D	DWG. NO.	6D61054
SCALE	NONE	WT.	
SHEET	36	REV.	7

F  
E  
D  
C  
B  
A  
 2005 BOMBARDIER INC. OR ITS SUBSIDIARIES. ALL RIGHTS RESERVED.

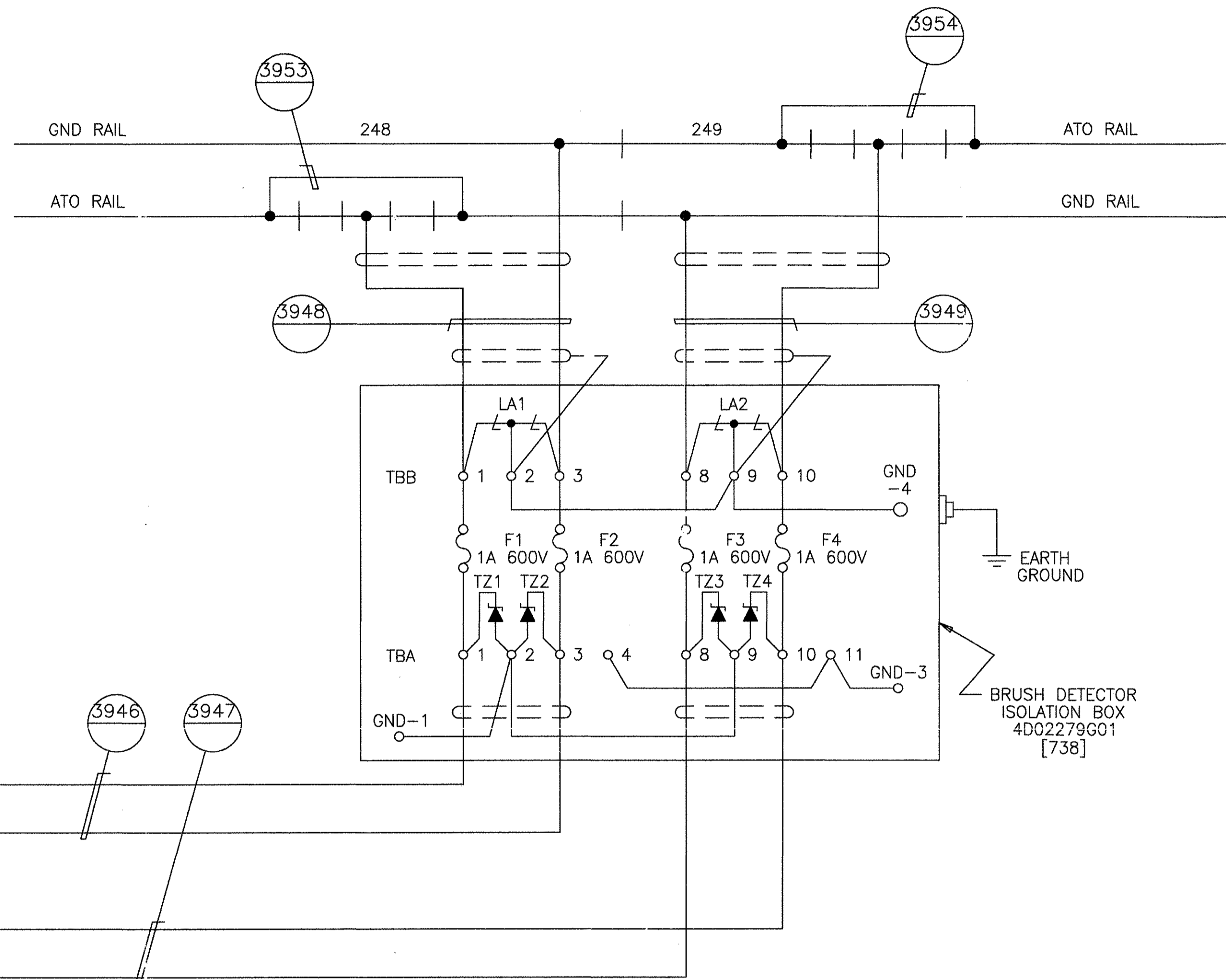
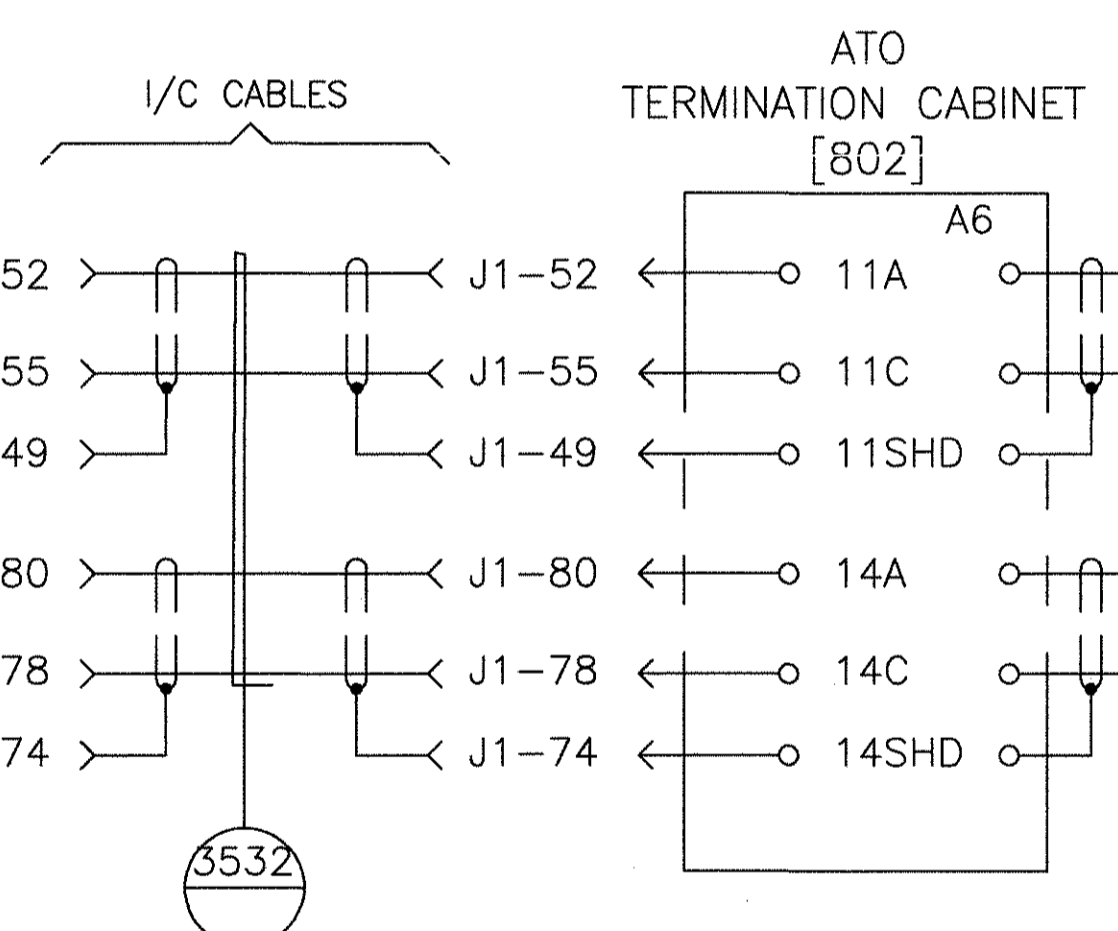
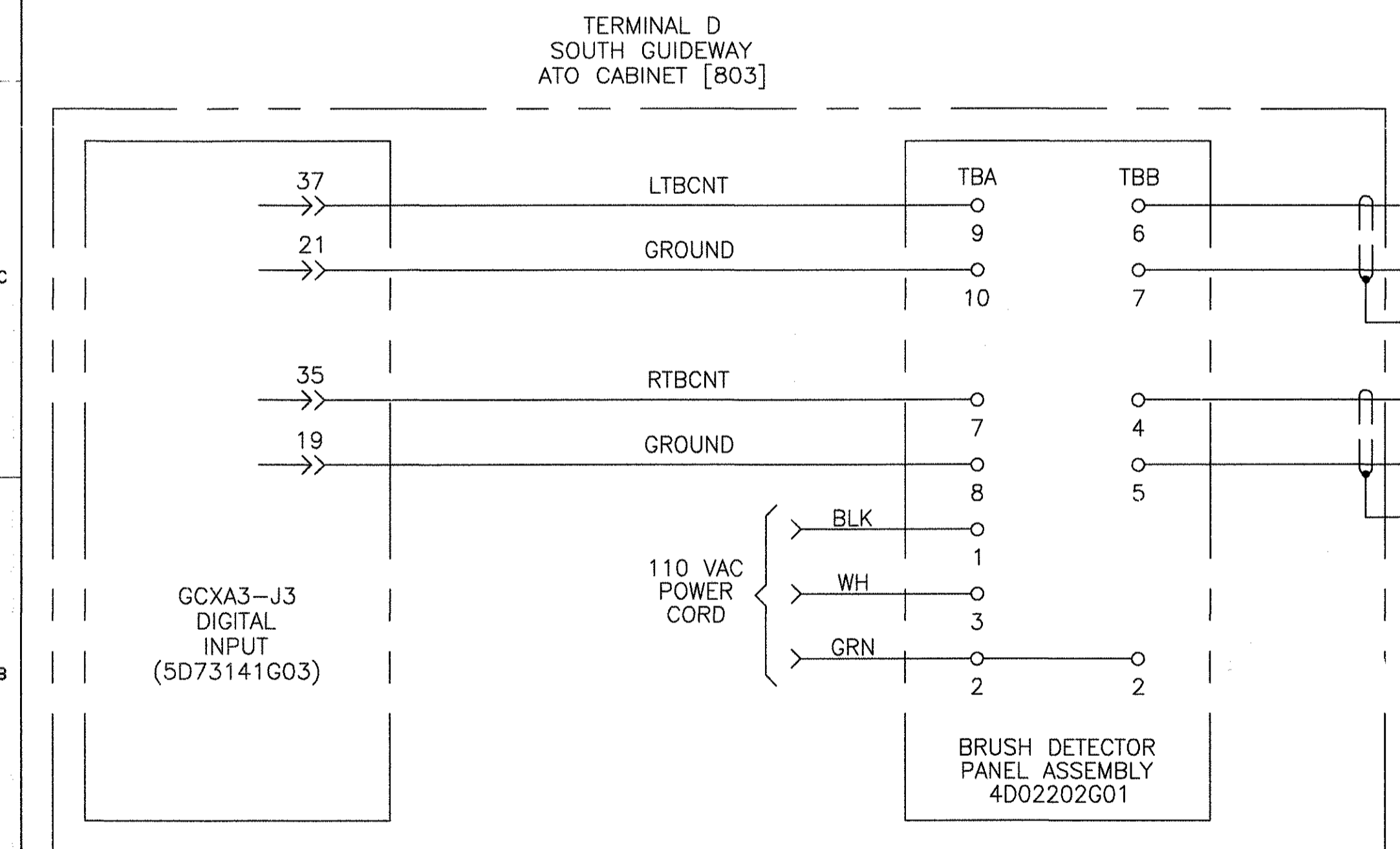


NORTH GUIDEWAY BRUSH DETECTOR

PROPRIETARY INFORMATION - SEE SHEET 1

AutoCAD

GEOMETRIC CHARACTERISTIC SYMBOLS		DFTM.	DATE	BOMBARDIER	
FLATNESS		R.ANDERSON	4-11-02	HOUSTON PHASE 2	
STRAIGHTNESS		CHKR.		WAYSIDE SYSTEM SCHEMATIC	
ROUNDNESS (CIRCULARITY)		ENGRG.		DIMENSIONS IN INCHES	
CYLINDRICITY		R.KORTYNA		SIZE	DWG. NO.
PROFILE OF ANY LINE		MFG.		D	6D61054
PROFILE OF ANY SURFACE		APPD.		SCALE	REV.
PARALLELISM		J.CARNEVALE		NONE	7
PERPENDICULARITY (SQUARENESS)		DFTG. SUPV.		WT.	
ANGULARITY				SHEET	37
IRREGULARITY					
TRUE POSITION					
CONCENTRICITY					
SYMMETRY					
MAXIMUM MATERIAL CONDITION (MMC)					
REGARDLESS OF FEATURE SIZE					



SOUTH GUIDEWAY BRUSH COUNTER

PROPRIETARY INFORMATION - SEE SHEET 1

AutoCAD

GEOMETRIC CHARACTERISTIC SYMBOLS	
FLATNESS	▭
STRAIGHTNESS	—
ROUNDNESS (CIRCULARITY)	○
CYLINDRICITY	⊘
PROFILE OF ANY LINE	⌒
PROFILE OF ANY SURFACE	⌒
PARALLELISM	∥
PERPENDICULARITY (SQUARENESS)	⊥
ANGULARITY	∠
RUNOUT	↻
TRUE POSITION	⊕
CONCENTRICITY	⊙
SYMMETRY	⊞
MAXIMUM MATERIAL CONDITION (MMC)	Ⓜ
REGARDLESS OF FEATURE SIZE	Ⓜ

DFTM. R.ANDERSON 4-11-02	DATE
CHKR.	
ENGRG. R.KORTYNA	
MFG.	
APPD.	
DFTG. SUPV. J.CARNEVALE	

<b>BOMBARDIER</b>		
TITLE HOUSTON PHASE 2 WAYSIDE SYSTEM SCHEMATIC		
DIMENSIONS IN INCHES		
SIZE D	DWG. NO. 6D61054	REV. 7
SCALE NONE	WT.	SHEET 38

BLANK SHEET

GEOMETRIC CHARACTERISTIC SYMBOLS	
FLATNESS	
STRAIGHTNESS	
ROUNDNESS (CIRCULARITY)	
CYLINDRICITY	
PROFILE OF ANY LINE	
PROFILE OF ANY SURFACE	
PARALLELISM	
PERPENDICULARITY (SQUARENESS)	
ANGULARITY	
RUNOUT	
TRUE POSITION	
CONCENTRICITY	
SYMMETRY	
MAXIMUM MATERIAL CONDITION (MMC)	
REGARDLESS OF FEATURE SIZE	

DFTM.	R.ANDERSON	DATE	4-11-02
CHKR.			
ENGRG.	R.KORTYNA		
MFG.			
APPD.			
DFTG. SUPV.	J.CARNEVALE		

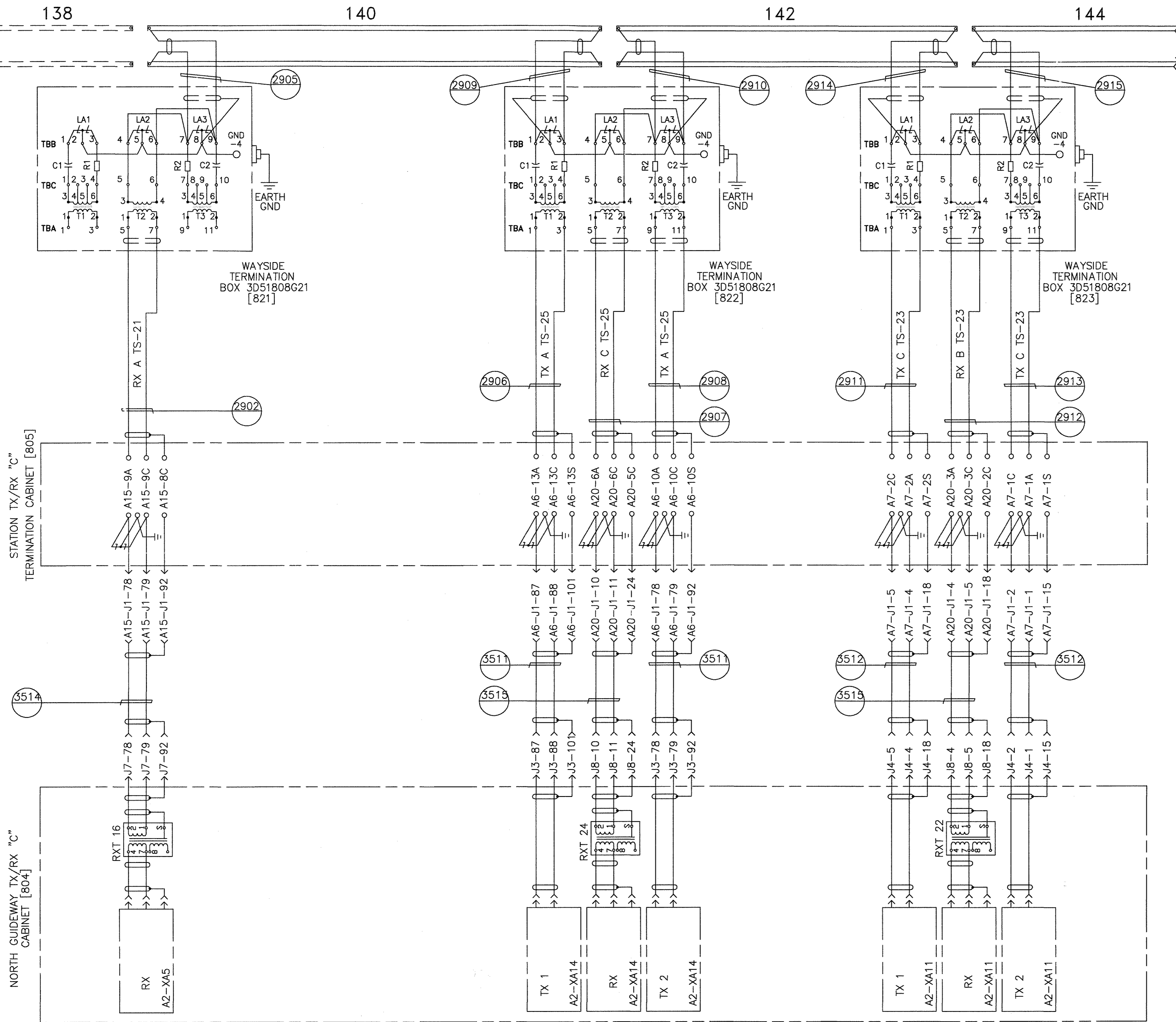
<b>BOMBARDIER</b>			
TITLE			
HOUSTON PHASE 2			
WAYSIDE SYSTEM SCHEMATIC			
DIMENSIONS IN INCHES			
SIZE	D	DWG. NO.	6D61054
SCALE	NONE	WT.	
SHEET	39	REV.	7

PROPRIETARY INFORMATION - SEE SHEET 1

AutoCAD



REF DWG  
5D81332 SH.46



NORTH GUIDEWAY TRANSMIT/RECEIVE

GEOMETRIC CHARACTERISTIC SYMBOLS	
FLATNESS	▭
STRAIGHTNESS	—
ROUNDNESS (CIRCULARITY)	○
CYLINDRICITY	⊘
PROFILE OF ANY LINE	⌒
PROFILE OF ANY SURFACE	⌒
PARALLELISM	∥
PERPENDICULARITY (SQUARENESS)	⊥
ANGULARITY	∠
RUNOUT	↻
TRUE POSITION	⊕
CONCENTRICITY	⊙
SYMMETRY	⊞
MAXIMUM MATERIAL CONDITION (MMC)	Ⓜ
REGARDLESS OF FEATURE SIZE	Ⓜ

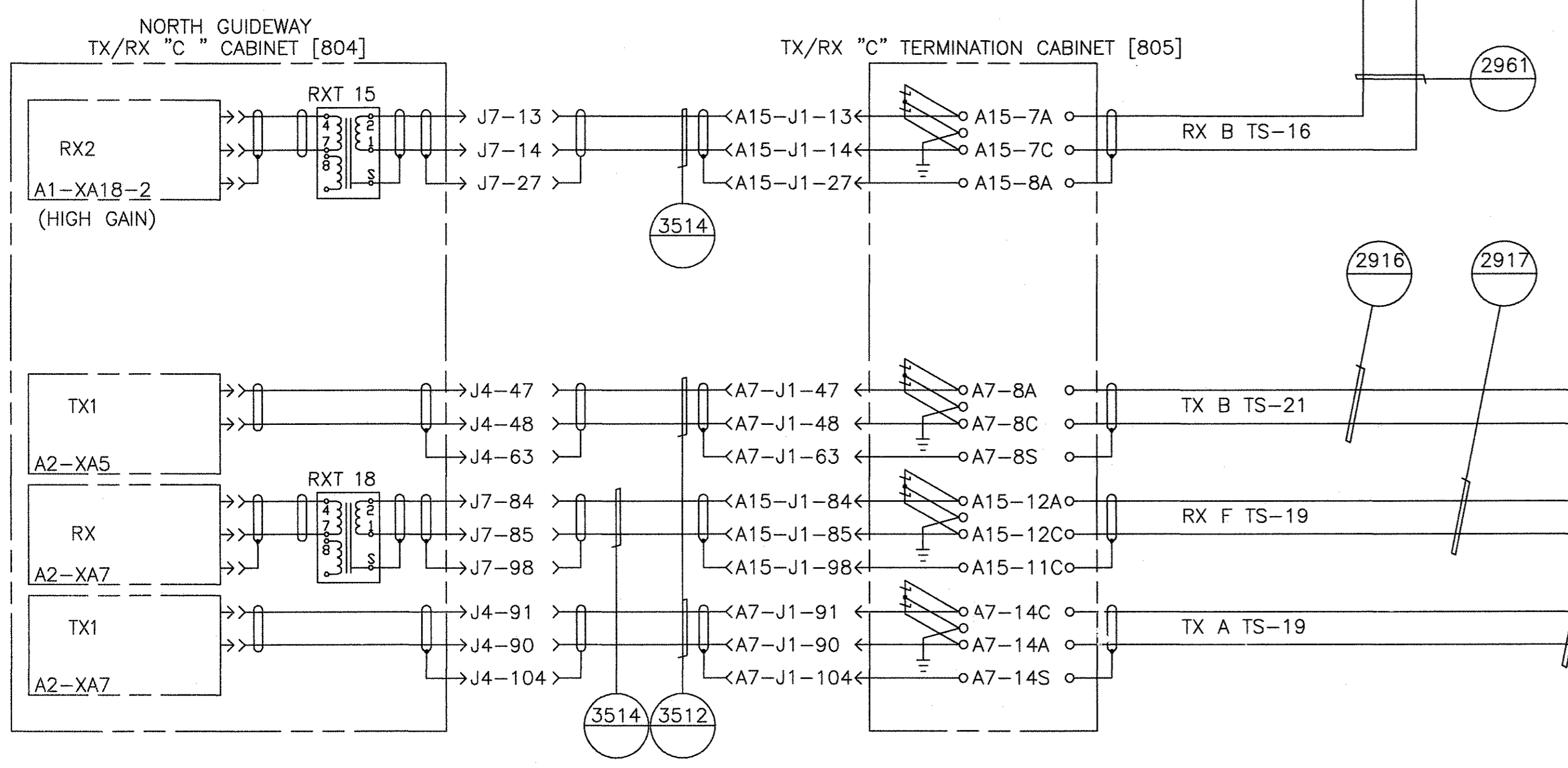
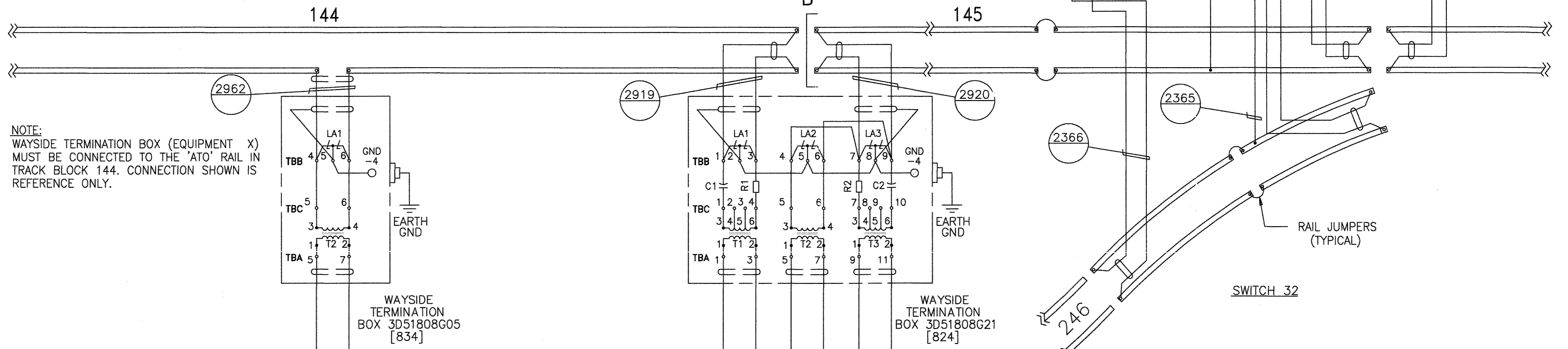
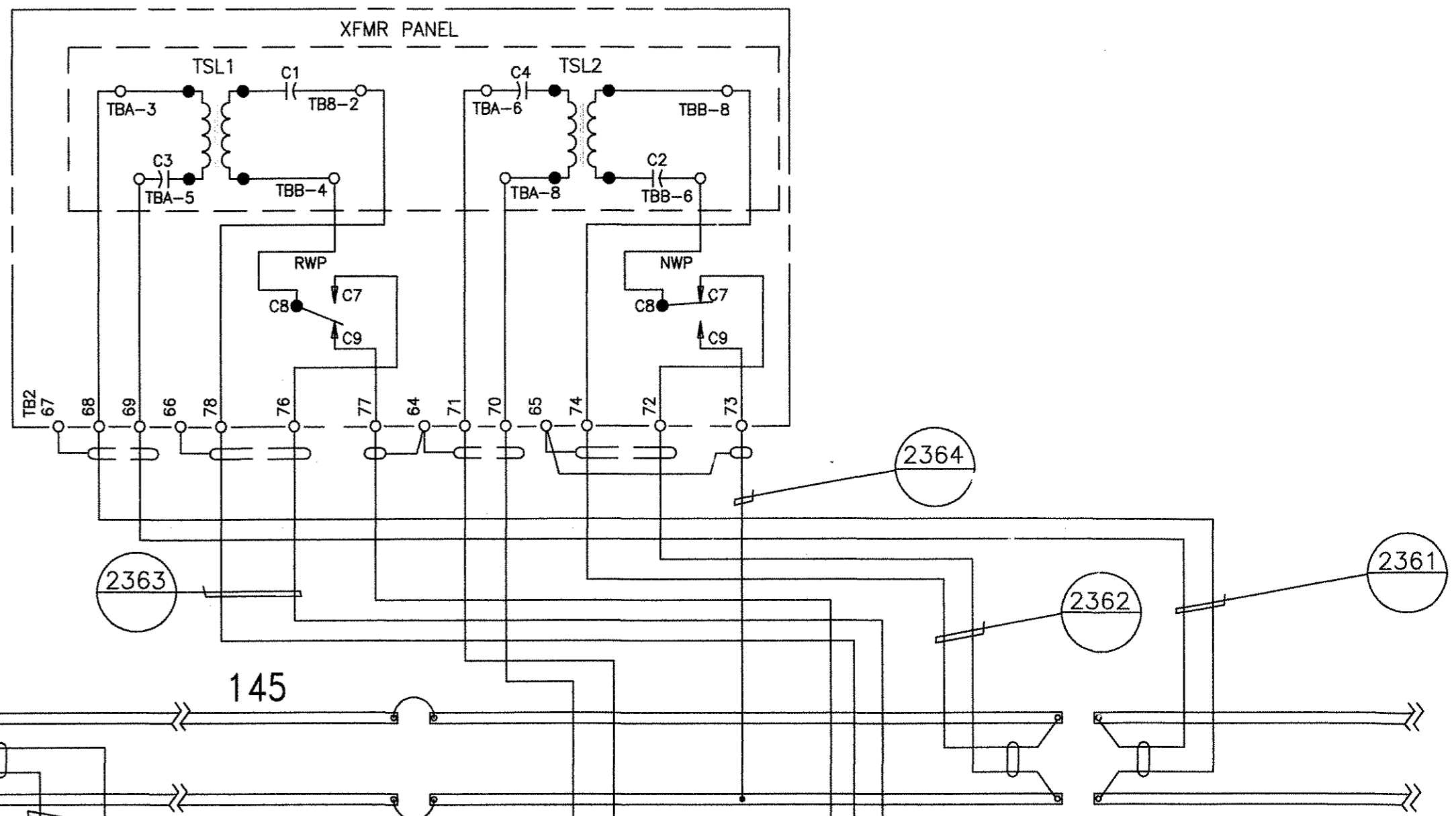
DFTM. R.ANDERSON	DATE 4-11-02
CHKR.	
ENGRG. R.KORTYNA	
MFG.	
APPD.	
DFTG. SUPV. J.CARNEVALE	

<b>BOMBARDIER</b>	
TITLE HOUSTON PHASE 2	
WAYSIDE SYSTEM SCHEMATIC	
DIMENSIONS IN INCHES	
SIZE D	DWG. NO. 6D61054
SCALE NONE	WT. SHEET 40
REV. 7	

PROPRIETARY INFORMATION - SEE SHEET 1

AutoCAD

SWITCH LOGIC CONTROL CABINET  
GENERAL ASSEMBLY 3A64952G06  
[1227]



NORTH GUIDEWAY TRANSMIT/RECEIVE (SWITCH 32)

PROPRIETARY INFORMATION - SEE SHEET 1

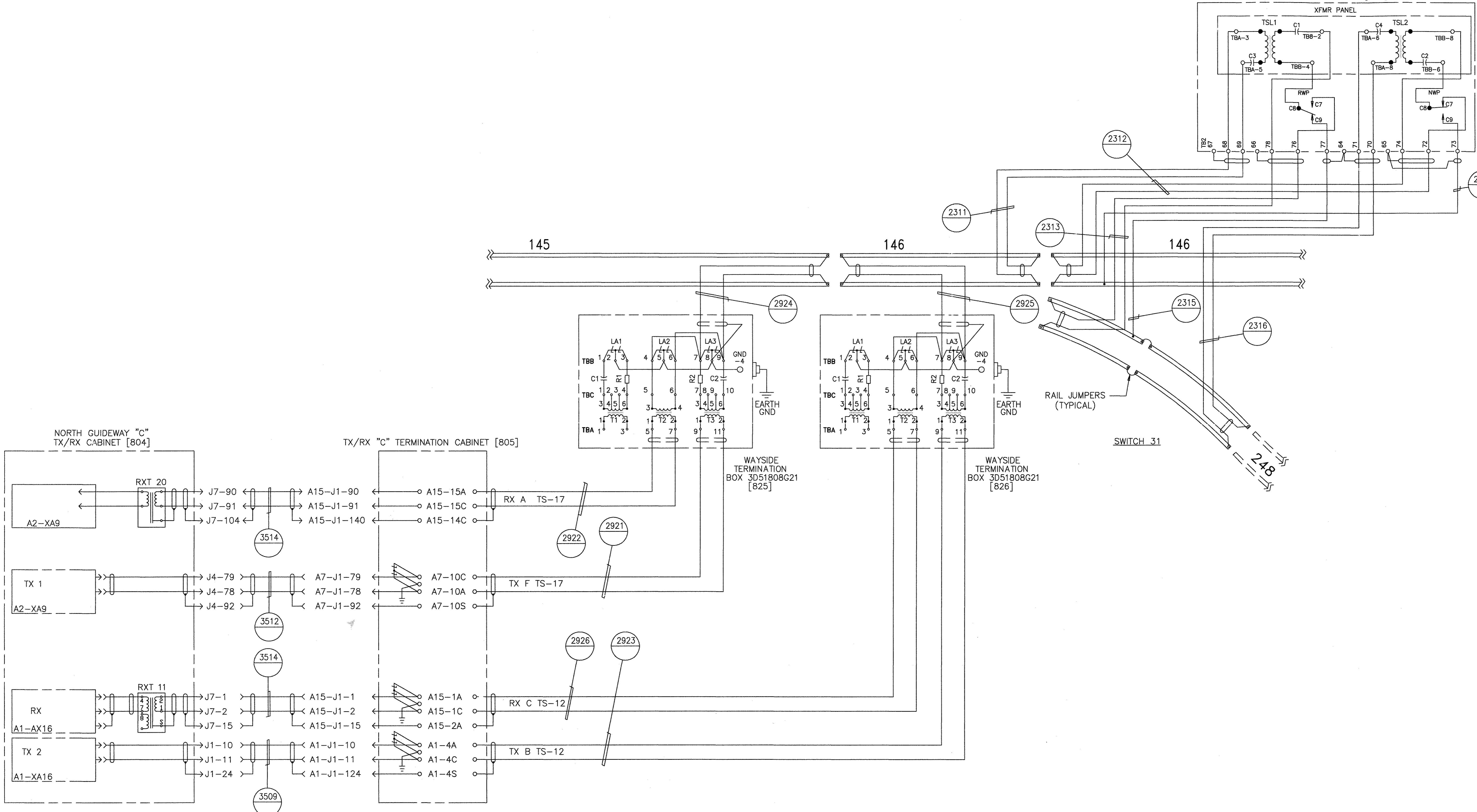
AutoCAD

GEOMETRIC CHARACTERISTIC SYMBOLS	
FLATNESS	▭
STRAIGHTNESS	—
ROUNDNESS (CIRCULARITY)	○
CYLINDRICITY	⊂
PROFILE OF ANY LINE	⌒
PROFILE OF ANY SURFACE	⌒
PARALLELISM	∥
PERPENDICULARITY (SQUARENESS)	⊥
ANGULARITY	∠
RUNOUT	↻
TRUE POSITION	⊕
CONCENTRICITY	⊗
SYMMETRY	⊞
MAXIMUM MATERIAL CONDITION (MMC)	Ⓜ
REGARDLESS OF FEATURE SIZE	Ⓜ

DFTM.	R.ANDERSON 4-11-02	DATE	
CHKR.			
ENGRG.	R.KORTYNA		
MFG.			
APPD.			
DFTG. SUPV.	J.CARNEVALE		

<b>BOMBARDIER</b>		
TITLE HOUSTON PHASE 2 WAYSIDE SYSTEM SCHEMATIC		
DIMENSIONS IN INCHES		
SIZE	DWG. NO.	REV.
D	6D61054	7
SCALE	NONE	WT.
		SHEET 41

SWITCH LOGIC CONTROL CABINET  
GENERAL ASSEMBLY JA64952605 [1203]



NORTH GUIDEWAY TRANSMIT/RECEIVE (SWITCH 31)

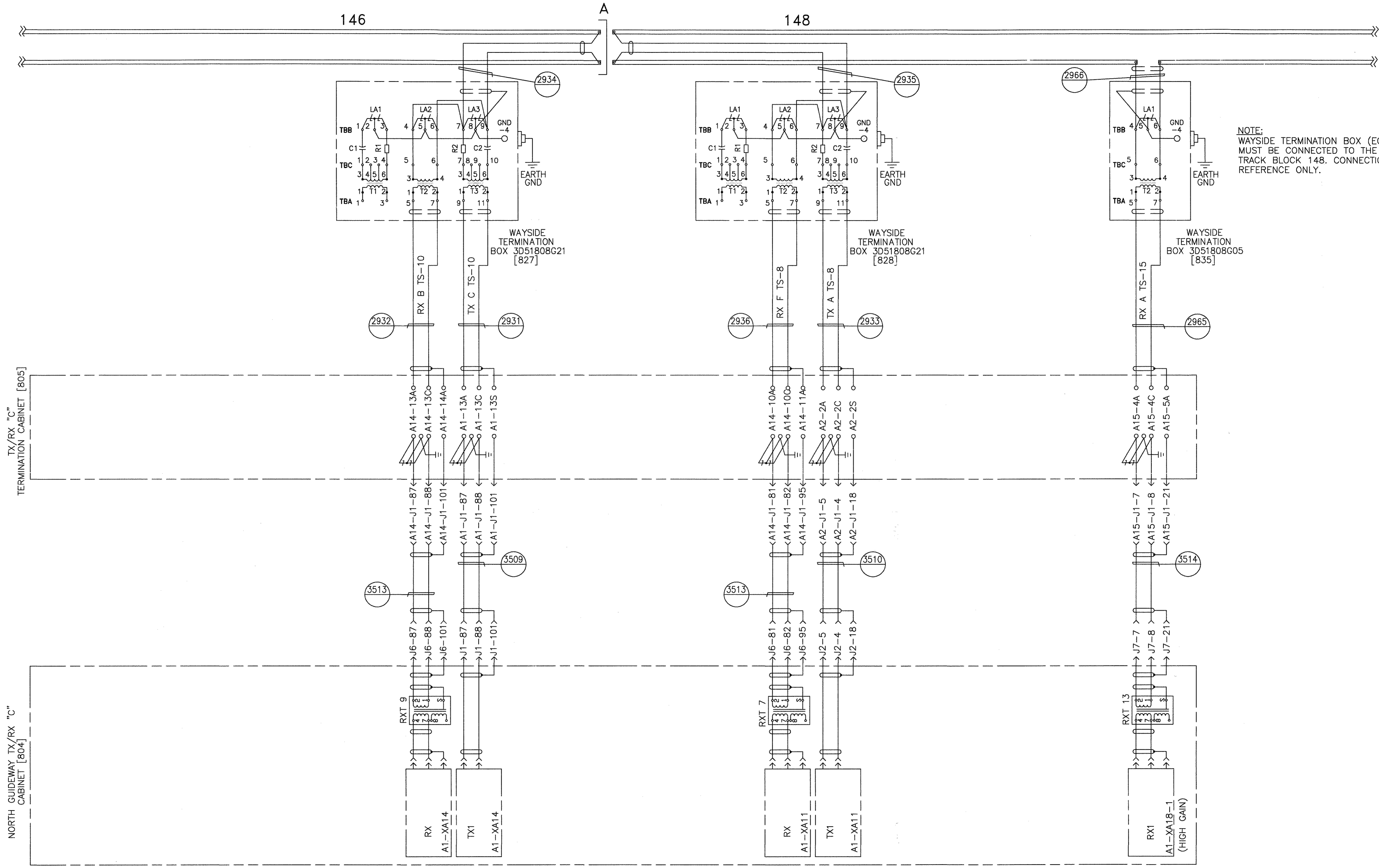
PROPRIETARY INFORMATION - SEE SHEET 1

AutoCAD

GEOMETRIC CHARACTERISTIC SYMBOLS	
FLATNESS	▭
STRAIGHTNESS	—
ROUNDNESS (CIRCULARITY)	○
CYLINDRICITY	⊘
PROFILE OF ANY LINE	⌒
PROFILE OF ANY SURFACE	⌒
PARALLELISM	∥
PERPENDICULARITY (SQUARENESS)	⊥
ANGULARITY	∠
RUNOUT	↺
TRUE POSITION	⊕
CONCENTRICITY	⊙
SYMMETRY	⊞
MAXIMUM MATERIAL CONDITION (MMC)	Ⓜ
REGARDLESS OF FEATURE SIZE	Ⓜ

DFTM. R.ANDERSON 4-11-02	DATE
CHKR.	
ENGRG. R.KORTYNA	
MFG.	
APPD.	
DFTG. SUPV. J.CARNEVALE	

<b>BOMBARDIER</b>	
TITLE HOUSTON PHASE 2 WAYSIDE SYSTEM SCHEMATIC	
DIMENSIONS IN INCHES	
SIZE D	DWG. NO. 6D61054
SCALE NONE	WT.
SHEET 42	REV. 7



NOTE:  
WAYSIDE TERMINATION BOX (EQUIPMENT X)  
MUST BE CONNECTED TO THE 'ATO' RAIL IN  
TRACK BLOCK 148. CONNECTION SHOWN IS  
REFERENCE ONLY.

NORTH GUIDEWAY TRANSMIT/RECEIVE

<b>GEOMETRIC CHARACTERISTIC SYMBOLS</b> FLATNESS STRAIGHTNESS ROUNDNESS (CIRCULARITY) CYLINDRICITY PROFILE OF ANY LINE PROFILE OF ANY SURFACE PARALLELISM PERPENDICULARITY (SQUARENESS) ANGULARITY RUNOUT TRUE POSITION CONCENTRICITY SYMMETRY MAXIMUM MATERIAL CONDITION (MMC) REGARDLESS OF FEATURE SIZE		DFTM. R.ANDERSON CHKR. ENGRG. R.KORTYNA MFG. APPD. DFTG. SUPV. J.CARNEVALE	DATE 4-11-02	TITLE HOUSTON PHASE 2 WAYSIDE SYSTEM SCHEMATIC
PROPRIETARY INFORMATION - SEE SHEET 1		DIMENSIONS IN INCHES		SCALE NONE WT.
AutoCAD		DWG. NO. 6D61054		SHEET 43
Tue Jul 26 2005 Released by Bombardier Transportation EDMS - Sig. on file. Doc: 6D61054 Rev: 7		REV. 7		REV. 7

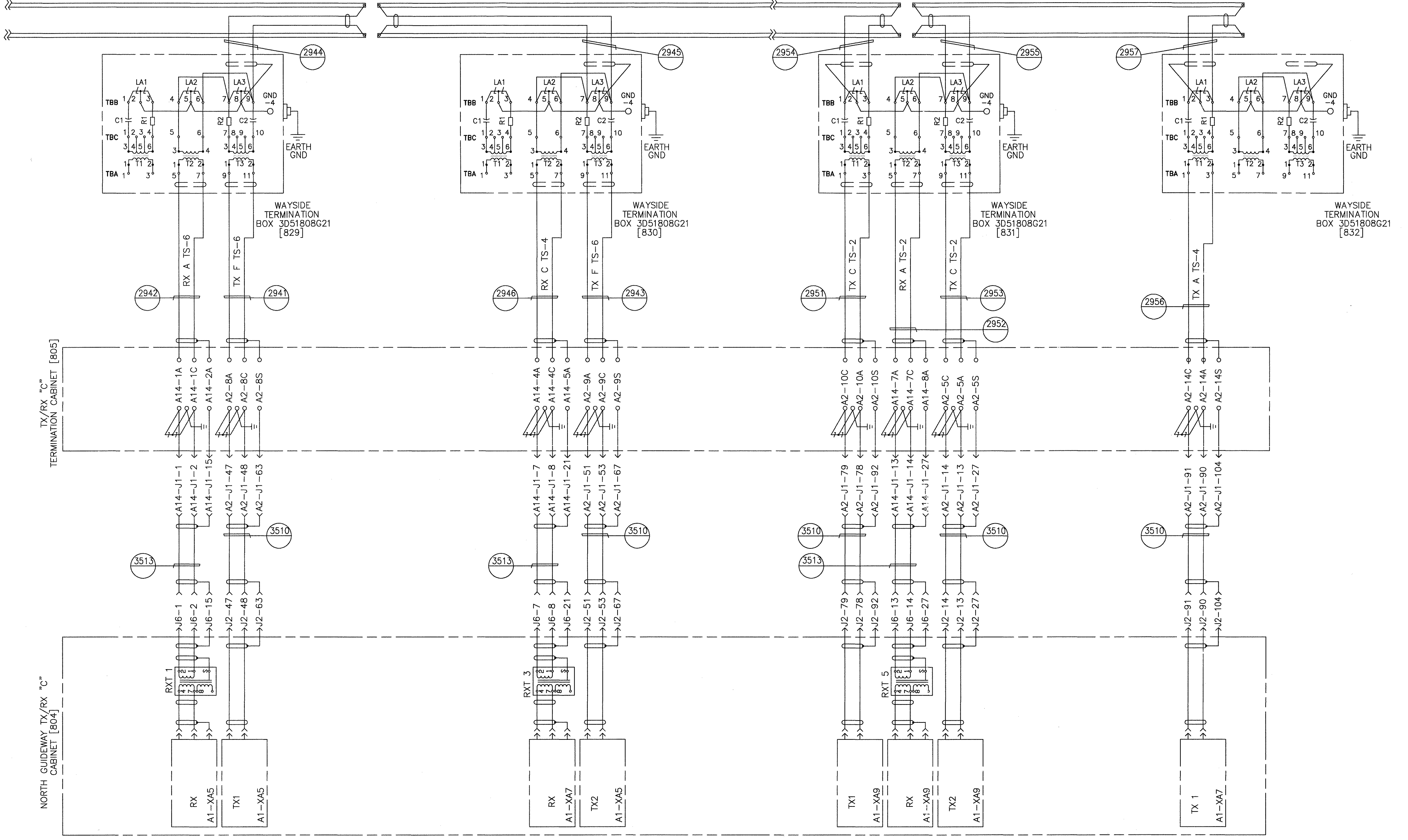
PROPRIETARY INFORMATION - SEE SHEET 1

AutoCAD

148

149

150



### NORTH GUIDEWAY TRANSMIT/RECEIVE

PROPRIETARY INFORMATION - SEE SHEET 1

AutoCAD

GEOMETRIC CHARACTERISTIC SYMBOLS	
FLATNESS	▭
STRAIGHTNESS	▬
ROUNDNESS (CIRCULARITY)	○
CYLINDRICITY	⊘
PROFILE OF ANY LINE	—
PROFILE OF ANY SURFACE	—
PARALLELISM	∥
PERPENDICULARITY (SQUARENESS)	⊥
ANGULARITY	∠
RUNOUT	↻
TRUE POSITION	⊕
CONCENTRICITY	⊙
SYMMETRY	⊞
MAXIMUM MATERIAL CONDITION (MMC)	Ⓜ
REGARDLESS OF FEATURE SIZE	Ⓜ

DFTM. R.ANDERSON 4-11-02	DATE
CHKR.	
ENGRG. R.KORTYNA	
MFG.	
APPD.	
DFTG. SUPV. J.CARNEVALE	

<b>ROMBARDIER</b>	
HOUSTON PHASE 2	
WAYSIDE SYSTEM SCHEMATIC	
DIMENSIONS IN INCHES	
SIZE D	DW. NO. 6D61054
SCALE NONE	WT.
SHEET 44	REV. 7

BLANK SHEET

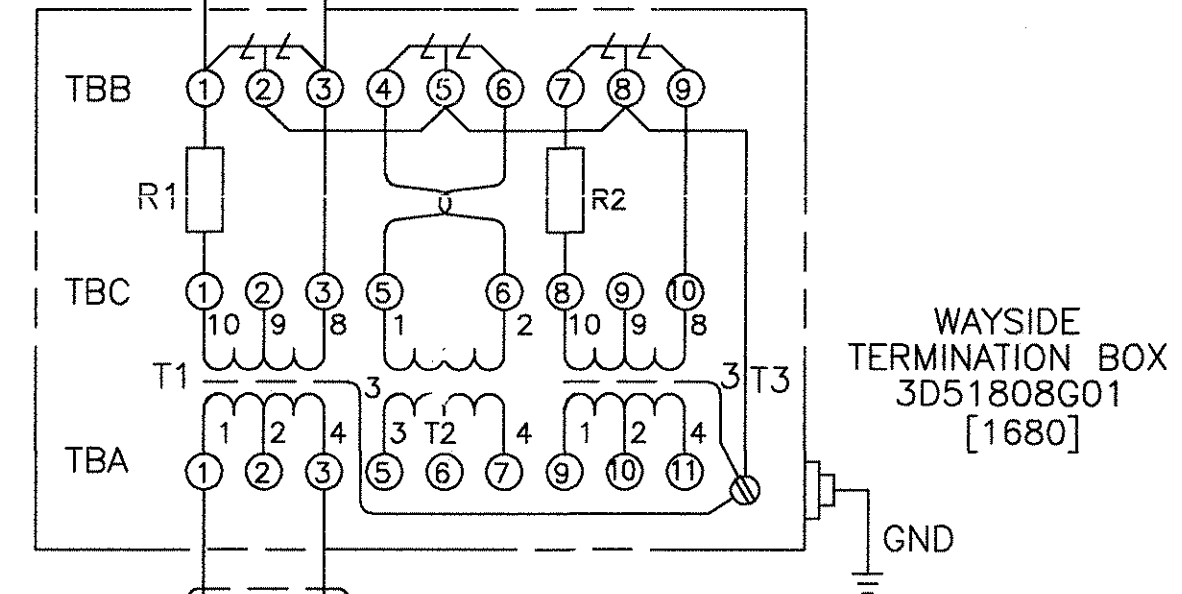
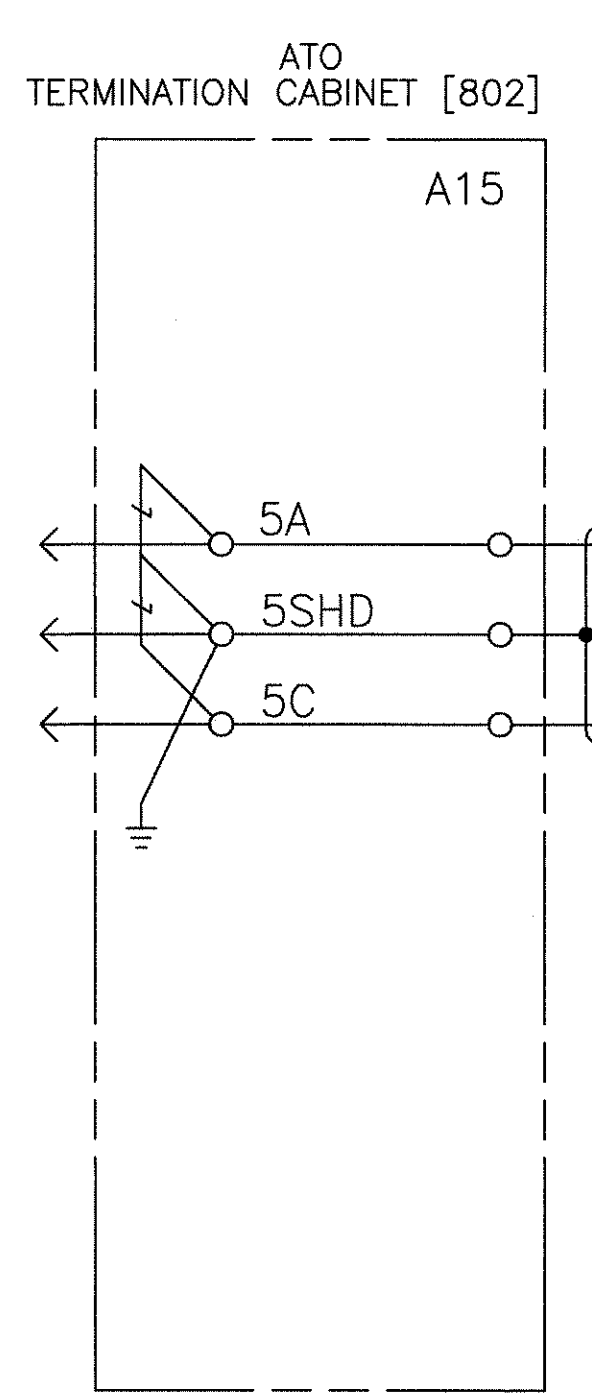
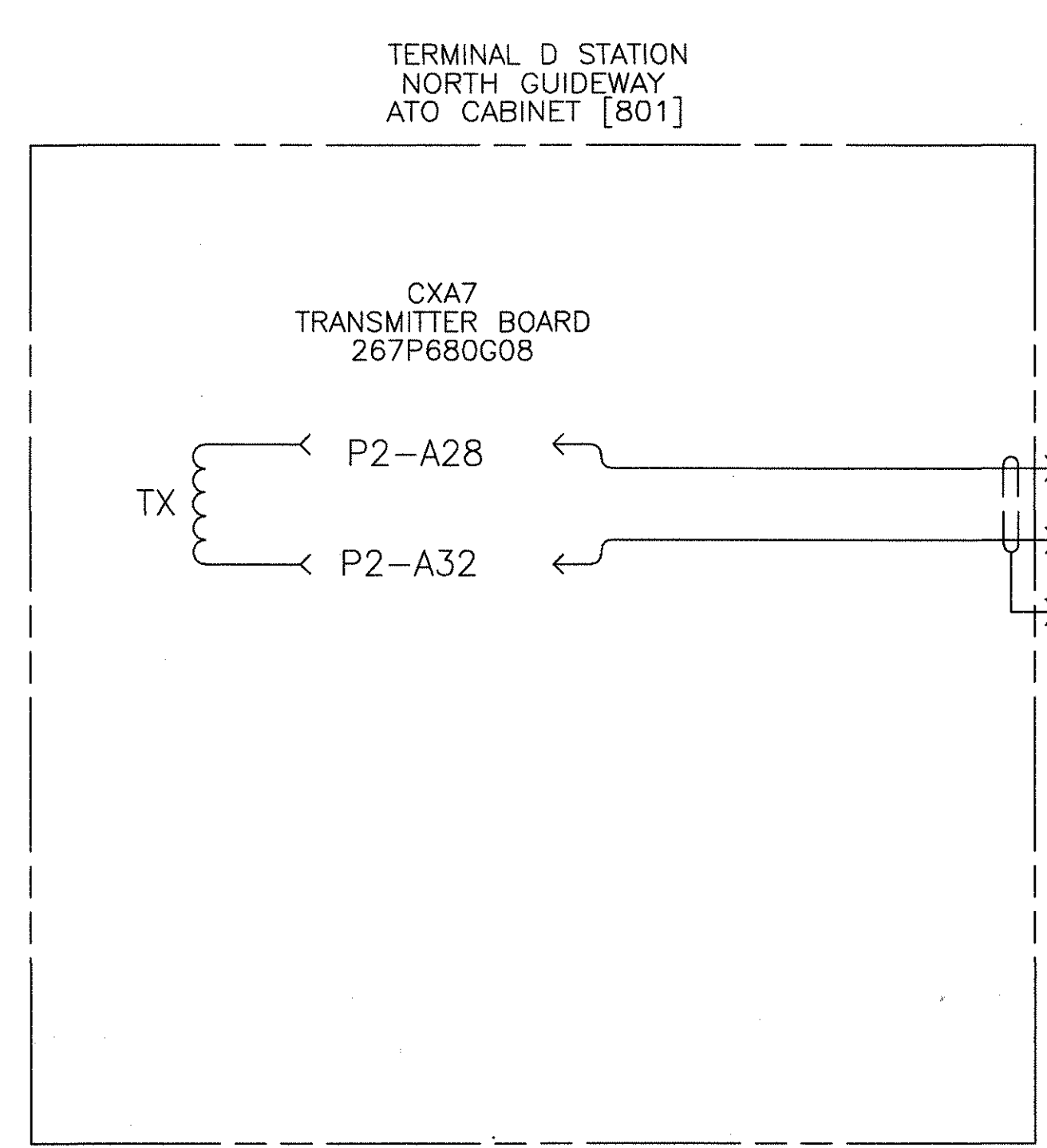
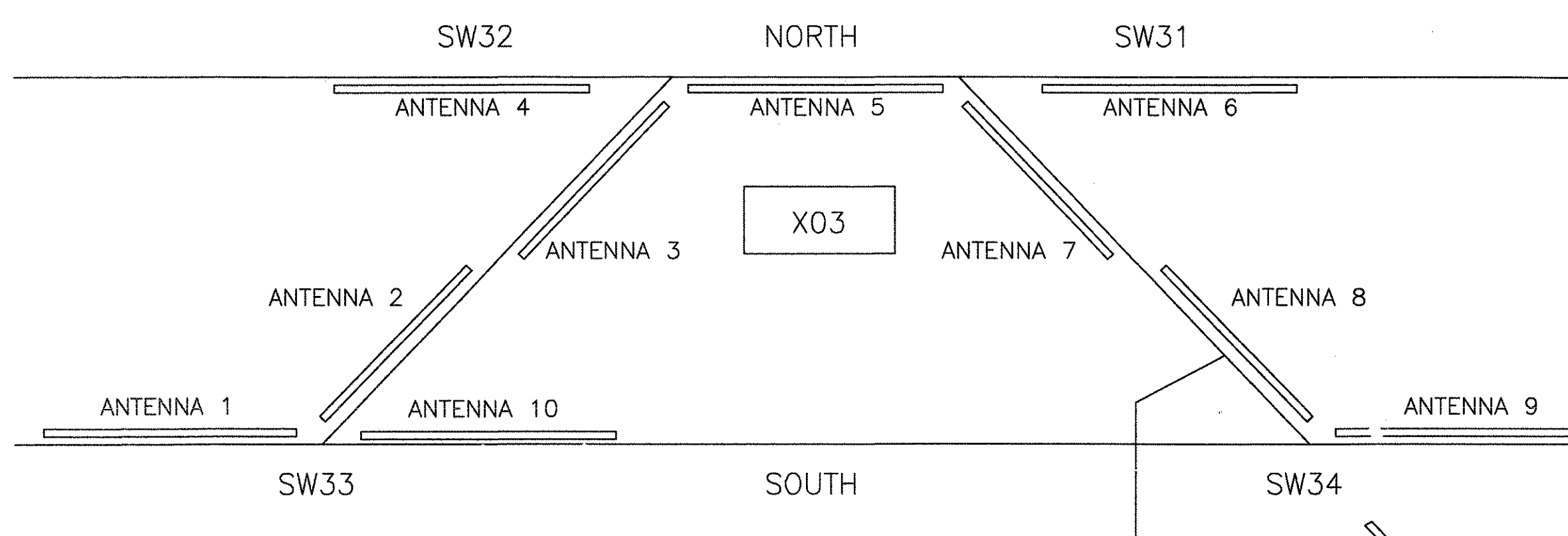
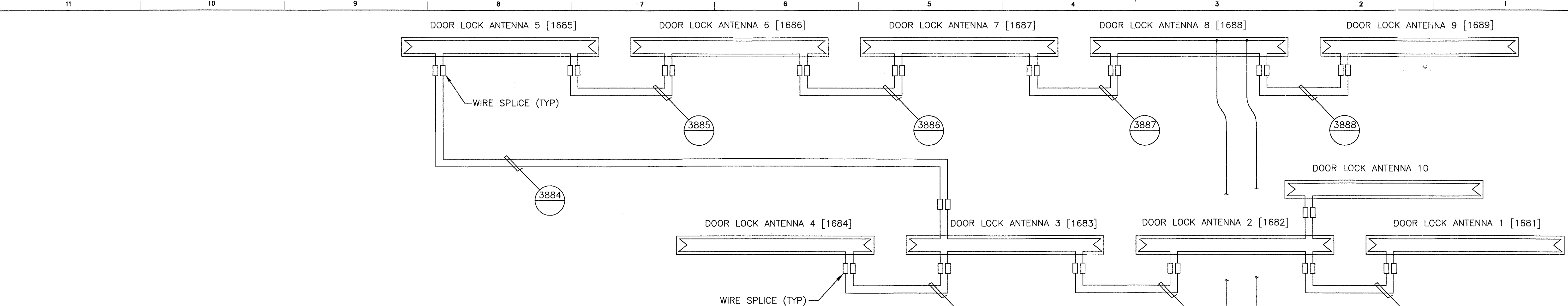
GEOMETRIC CHARACTERISTIC SYMBOLS	
FLATNESS	
STRAIGHTNESS	
ROUNDNESS (CIRCULARITY)	
CYLINDRICITY	
PROFILE OF ANY LINE	
PROFILE OF ANY SURFACE	
PARALLELISM	
PERPENDICULARITY (SQUARENESS)	
ANGULARITY	
RUNOUT	
TRUE POSITION	
CONCENTRICITY	
SYMMETRY	
MAXIMUM MATERIAL CONDITION (MMC)	
REGARDLESS OF FEATURE SIZE	

DFTM.	R.ANDERSON	DATE	4-11-02
CHKR.			
ENGRG.	R.KORTYNA		
MFG.			
APPD.			
DFTG. SUPV.	J.CARNEVALE		

<b>BOMBARDIER</b>			
TITLE			
HOUSTON PHASE 2			
WAYSIDE SYSTEM SCHEMATIC			
DIMENSIONS IN INCHES			
SIZE	D	DWG. NO.	6D61054
SCALE	NONE	WT.	
SHEET	45	REV.	7

PROPRIETARY INFORMATION - SEE SHEET 1

AutoCAD



X03 WALKWAY SIDE-GRAPHICS ANTENNA TX  
(ANTENNA 1 THRU 10)

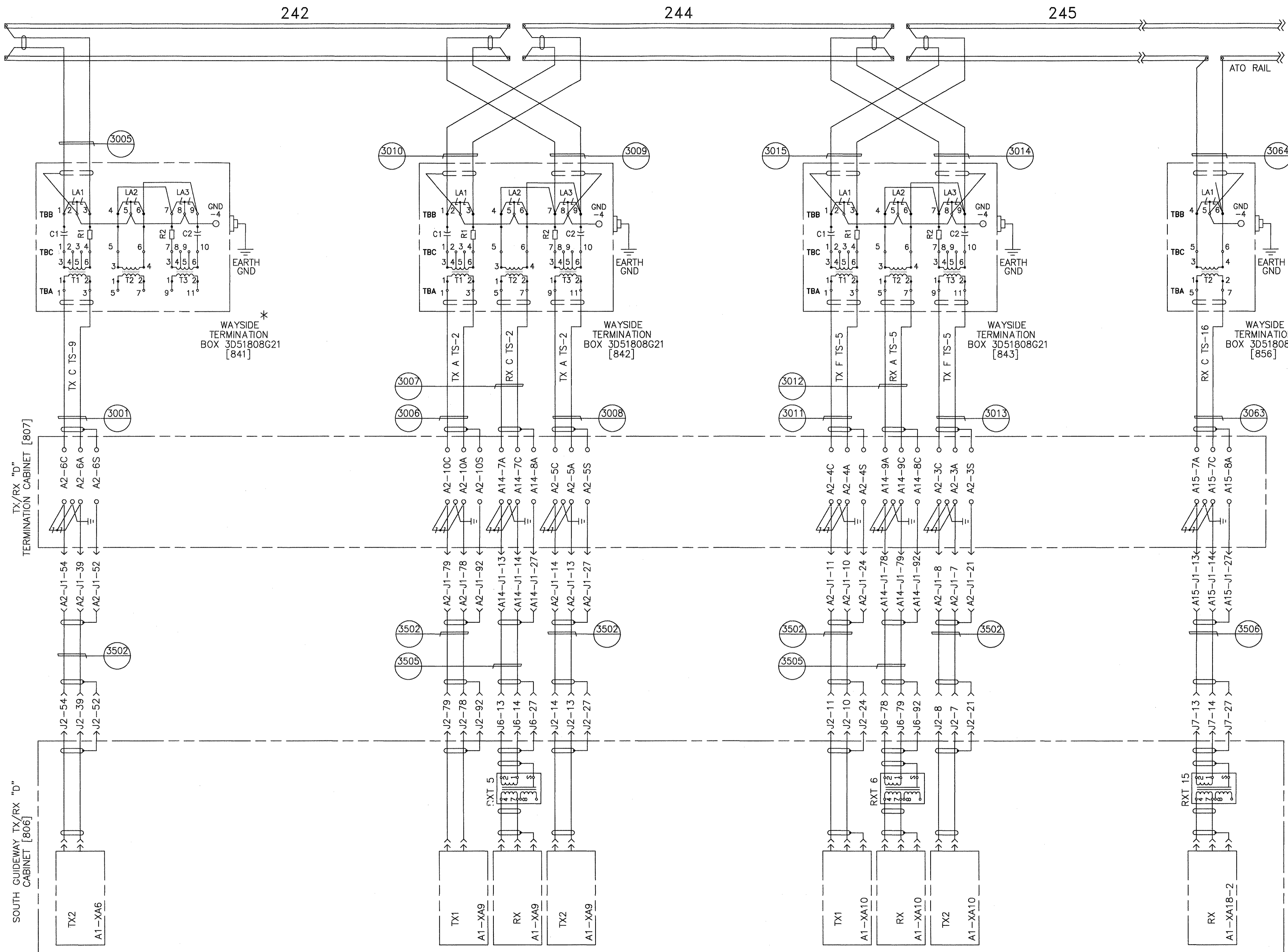
PROPRIETARY INFORMATION - SEE SHEET 1

AutoCAD

GEOMETRIC CHARACTERISTIC SYMBOLS	
FLATNESS	▭
STRAIGHTNESS	—
ROUNDNESS (CIRCULARITY)	○
CYLINDRICITY	⊘
PROFILE OF ANY LINE	⌒
PROFILE OF ANY SURFACE	⌒
PARALLELISM	∥
PERPENDICULARITY (SQUARENESS)	⊥
ANGULARITY	∠
RUNOUT	↗
TRUE POSITION	⊕
CONCENTRICITY	⊙
SYMMETRY	⊞
MAXIMUM MATERIAL CONDITION (MMC)	Ⓜ
REGARDLESS OF FEATURE SIZE	Ⓜ

DFTM.	R.ANDERSON	DATE	4-11-02
CHKR.			
ENGRG.	R.KORTYNA		
MFG.			
APPD.			
DFTG. SUPV.	J.CARNEVALE		

<b>BOMBARDIER</b>			
TITLE			
HOUSTON PHASE 2			
WAYSIDE SYSTEM SCHEMATIC			
DIMENSIONS IN INCHES			
SIZE	D	DWG. NO.	6D61054
SCALE	NONE	WT.	
SHEET	46	REV.	7



NOTE:  
WAYSIDE TERMINATION BOX (EQUIPMENT X)  
MUST BE CONNECTED TO THE 'ATO' RAIL IN  
TRACK BLOCK 245. CONNECTION SHOWN IS  
REFERENCE ONLY.

\* SAME WAYSIDE TERMINATION BOX  
AS SHOWN ON 5DB1332 SHEET 53.

SOUTH GUIDEWAY TRANSMIT/RECEIVE

GEOMETRIC CHARACTERISTIC SYMBOLS	
FLATNESS	▭
STRAIGHTNESS	— —
ROUNDNESS (CIRCULARITY)	○
CYLINDRICITY	○/
PROFILE OF ANY LINE	—
PROFILE OF ANY SURFACE	—/—
PARALLELISM	∥
PERPENDICULARITY (SQUARENESS)	⊥
ANGULARITY	∠
RUNOUT	⊖
TRUE POSITION	⊕
CONCENTRICITY	⊙
SYMMETRY	⊞
MAXIMUM MATERIAL CONDITION (MMC)	Ⓜ
REGARDLESS OF FEATURE SIZE	Ⓜ

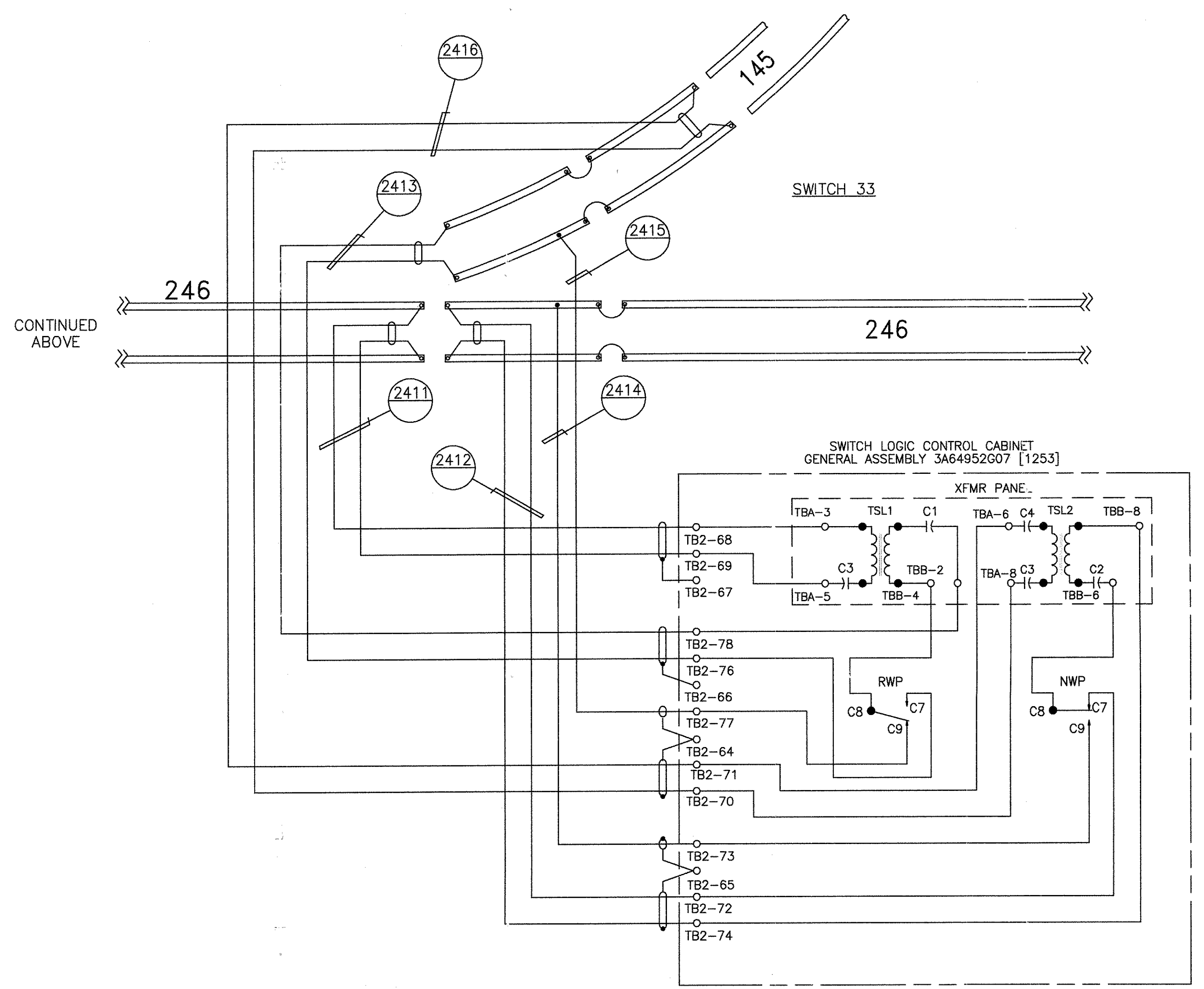
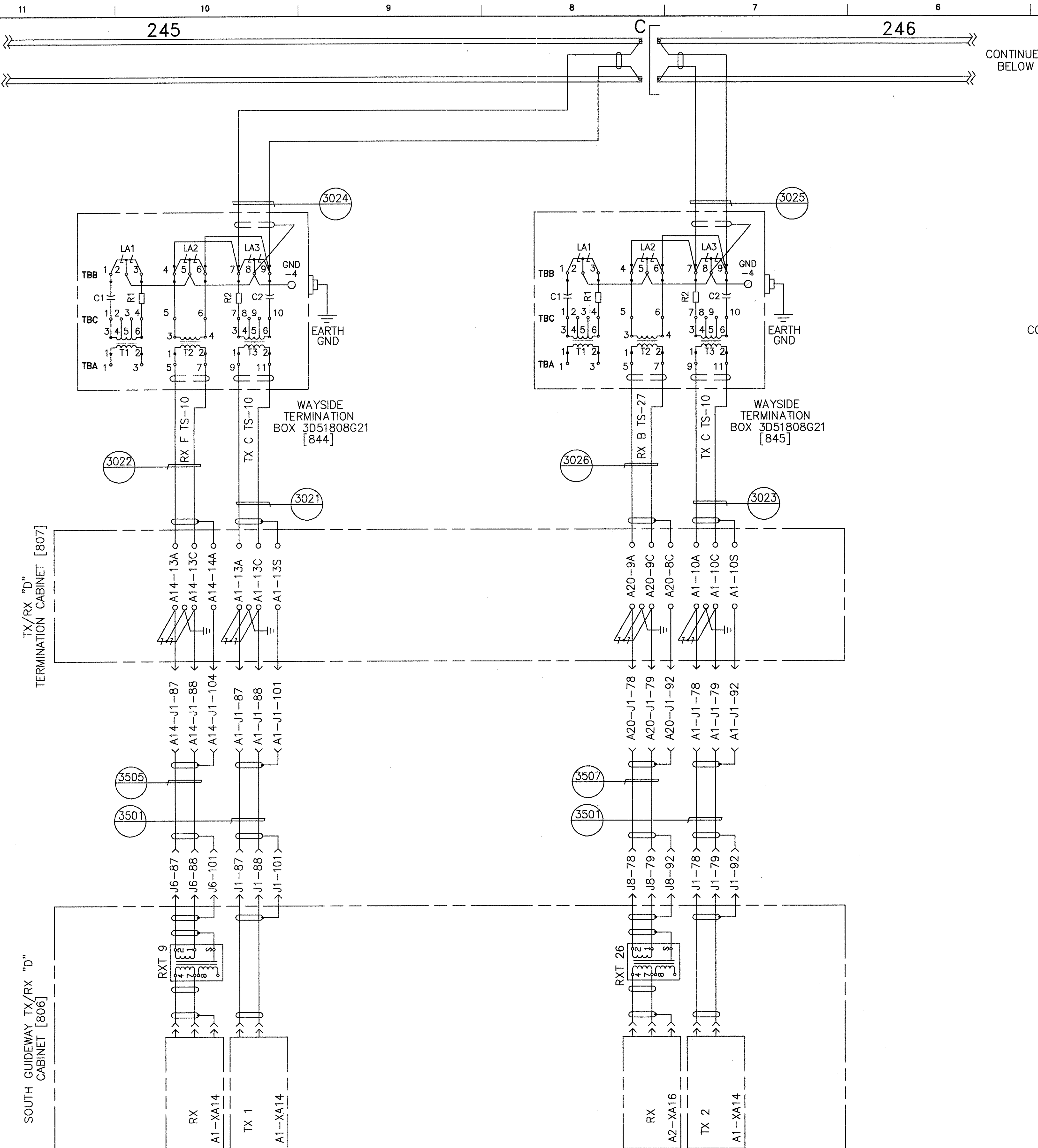
DFTM. R.ANDERSON 4-11-02	DATE
CHKR.	
ENGRG. R.KORTYNA	
MFG.	
APPD.	
DFTG. SUPV. J.CARNEVALE	

<b>BOMBARDIER</b>		
HOUSTON PHASE 2		
WAYSIDE SYSTEM SCHEMATIC		
DIMENSIONS IN INCHES		
SIZE D	DWG. NO. 6D61054	REV. 7
SCALE NONE	WT.	SHEET 47

PROPRIETARY INFORMATION - SEE SHEET 1

AutoCAD



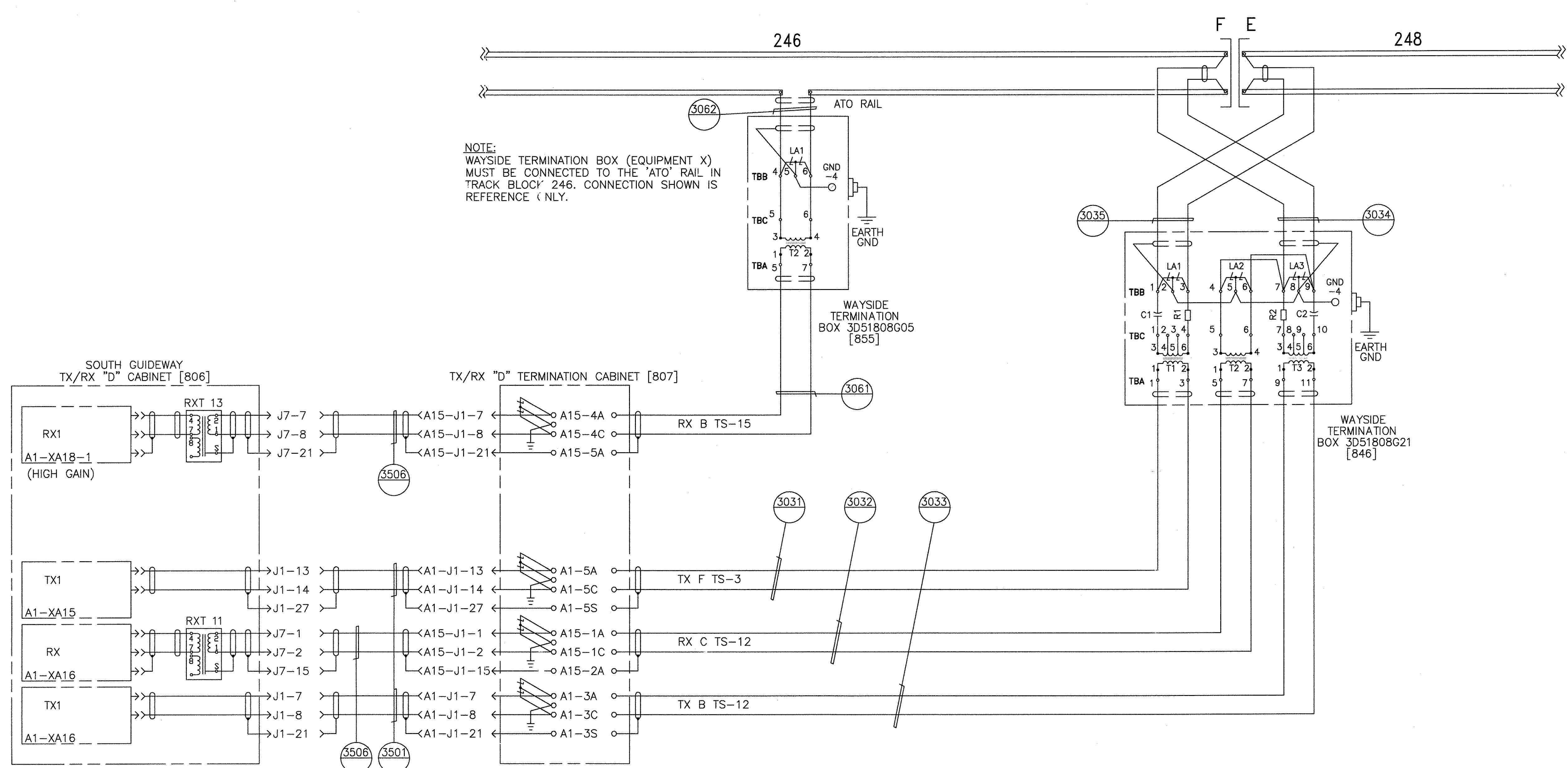


SOUTH GUIDEWAY TRANSMIT/RECEIVE (SWITCH 33)

PROPRIETARY INFORMATION - SEE SHEET 1

AutoCAD

GEOMETRIC CHARACTERISTIC SYMBOLS		DFTM.	DATE	BOMBARDIER	
FLATNESS	[Symbol]	R.ANDERSON	4-11-02	HOUSTON PHASE 2	
STRAIGHTNESS	[Symbol]	CHKR.		WAYSIDE SYSTEM SCHEMATIC	
ROUNDNESS (CIRCULARITY)	[Symbol]	ENGRG.		DIMENSIONS IN INCHES	
CYLINDRICITY	[Symbol]	R.KORTYNA		SIZE	D
PROFILE OF ANY LINE	[Symbol]	MFG.		DWG. NO.	6D61054
PROFILE OF ANY SURFACE	[Symbol]	APPD.		REV.	7
PARALLELISM	[Symbol]	DFTG. SUPV.		SCALE	NONE
PERPENDICULARITY (SQUARENESS)	[Symbol]	J.CARNEVALE		WT.	
ANGULARITY	[Symbol]			SHEET	48
RUNOUT	[Symbol]				
TRUE POSITION	[Symbol]				
CONCENTRICITY	[Symbol]				
SYMMETRY	[Symbol]				
MAXIMUM MATERIAL CONDITION (MMC)	[Symbol]				
REGARDLESS OF FEATURE SIZE	[Symbol]				



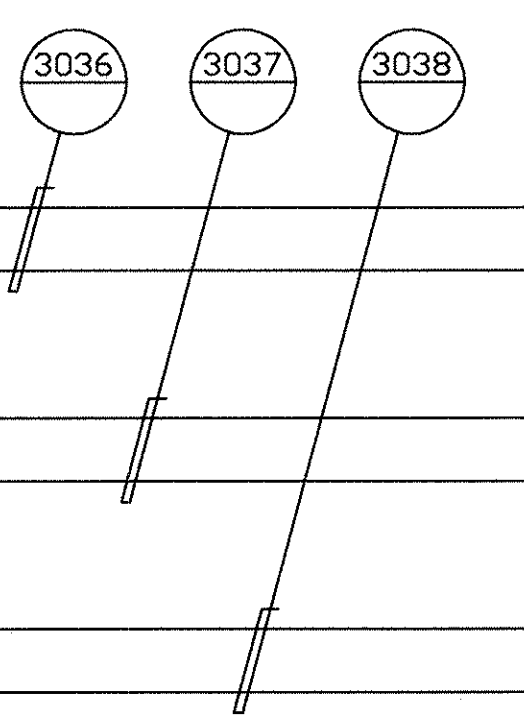
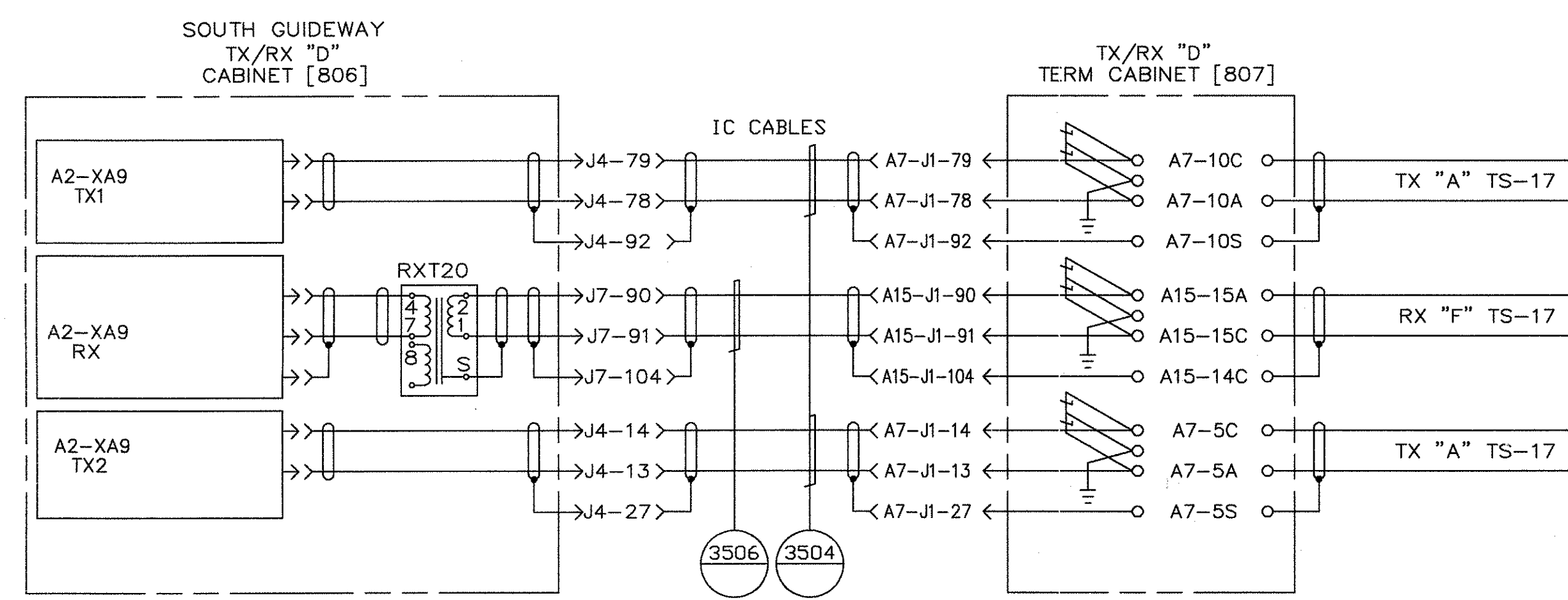
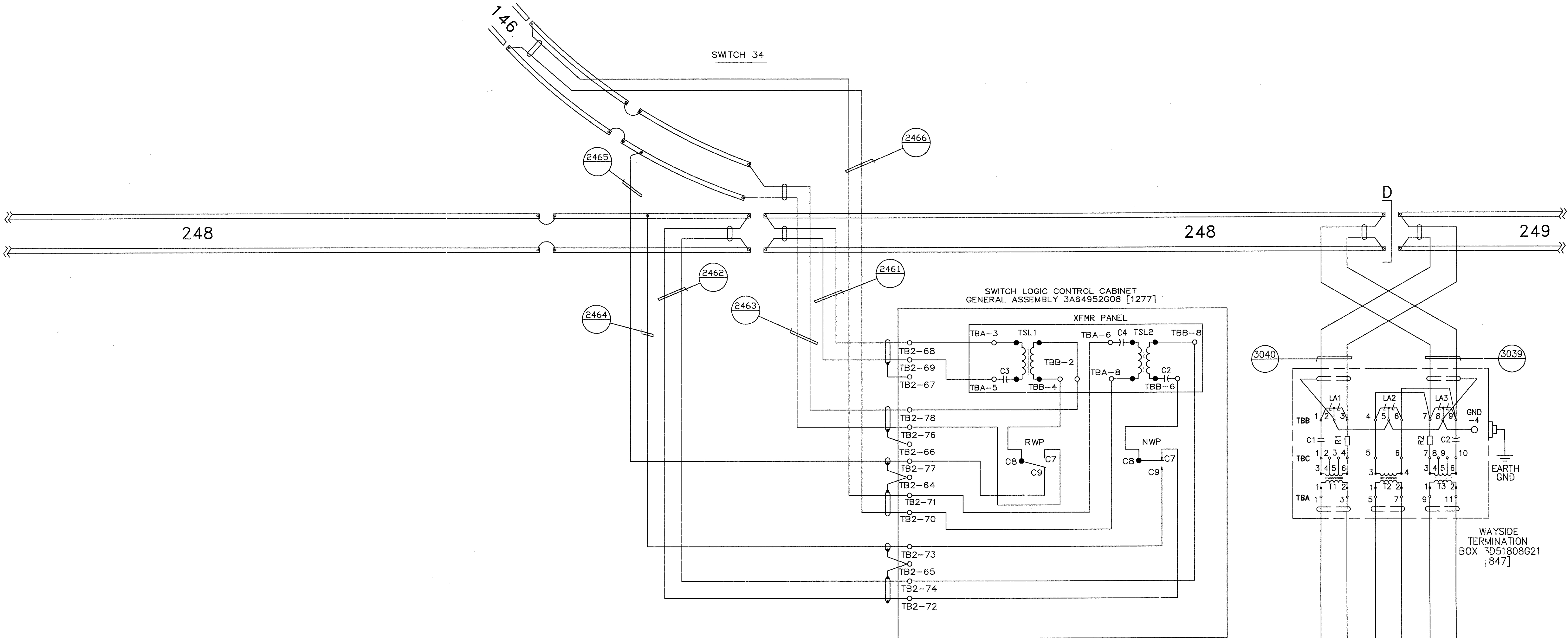
NOTE:  
WAYSIDE TERMINATION BOX (EQUIPMENT X)  
MUST BE CONNECTED TO THE 'ATO' RAIL IN  
'TRACK BLOC' 246. CONNECTION SHOWN IS  
REFERENCE ONLY.

SOUTH GUIDEWAY TRANSMIT/RECEIVE

PROPRIETARY INFORMATION - SEE SHEET 1

AutoCAD

GEOMETRIC CHARACTERISTIC SYMBOLS FLATNESS STRAIGHTNESS ROUNDNESS (CIRCULARITY) CYLINDRICITY PROFILE OF ANY LINE PROFILE OF ANY SURFACE PARALLELISM PERPENDICULARITY (SQUARENESS) ANGULARITY RUNOUT TRUE POSITION CONCENTRICITY SYMMETRY MAXIMUM MATERIAL CONDITION (MMC) REGARDLESS OF FEATURE SIZE	DFTM. R.ANDERSON 4-11-02 CHKR.	DATE 4-11-02	BOMBARDIER TITLE HOUSTON PHASE 2 WAYSIDE SYSTEM SCHEMATIC	
	ENGRG. R.KORTYNA MFG.	APPD. DFTG. SUPV. J.CARNEVALE		DIMENSIONS IN INCHES SIZE D
SCALE NONE		WT.	SHEET 49	



### SOUTH GUIDEWAY TRANSMIT/RECEIVE (SWITCH 34)

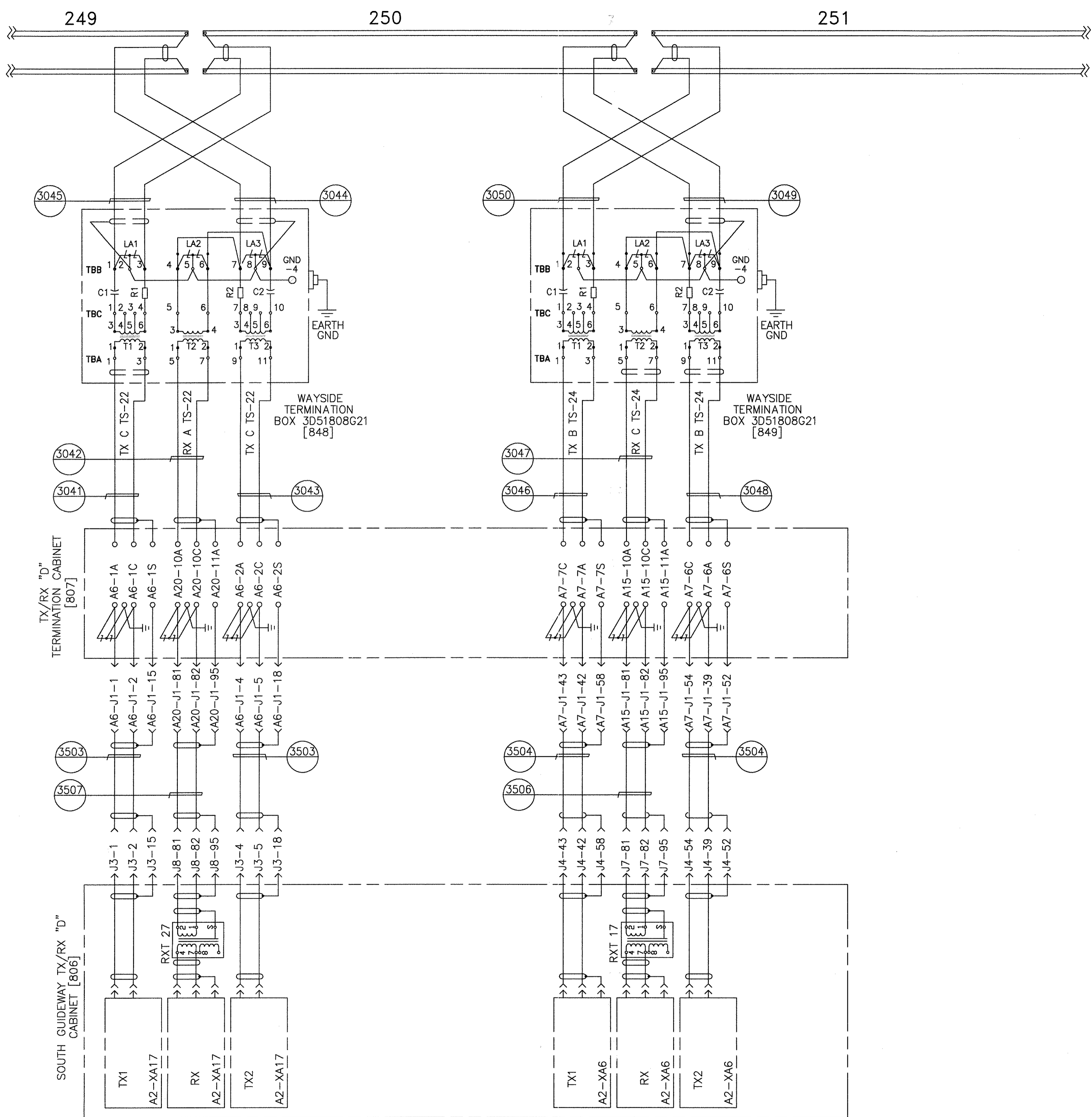
PROPRIETARY INFORMATION - SEE SHEET 1

AutoCAD

GEOMETRIC CHARACTERISTIC SYMBOLS	
FLATNESS	▭
STRAIGHTNESS	—
ROUNDNESS (CIRCULARITY)	○
CYLINDRICITY	⊘
PROFILE OF ANY LINE	⌒
PROFILE OF ANY SURFACE	⌒
PARALLELISM	∥
PERPENDICULARITY (SQUARENESS)	⊥
ANGULARITY	∠
RUNOUT	⊖
TRUE POSITION	⊕
CONCENTRICITY	⊙
SYMMETRY	⊞
MAXIMUM MATERIAL CONDITION (MMC)	Ⓜ
REGARDLESS OF FEATURE SIZE	Ⓜ

DFTM. R.ANDERSON	DATE 4-11-02
CHKR.	
ENGRG. R.KORTYNA	
MFG.	
APPD.	
DFTG. SUPV. J.CARNEVALE	

<b>BOMBARDIER</b>	
TITLE HOUSTON PHASE 2	
WAYSIDE SYSTEM SCHEMATIC	
DIMENSIONS IN INCHES	
SIZE D	DWG. NO. 6D61054
SCALE NONE	WT. SHEET 50
REV. 7	

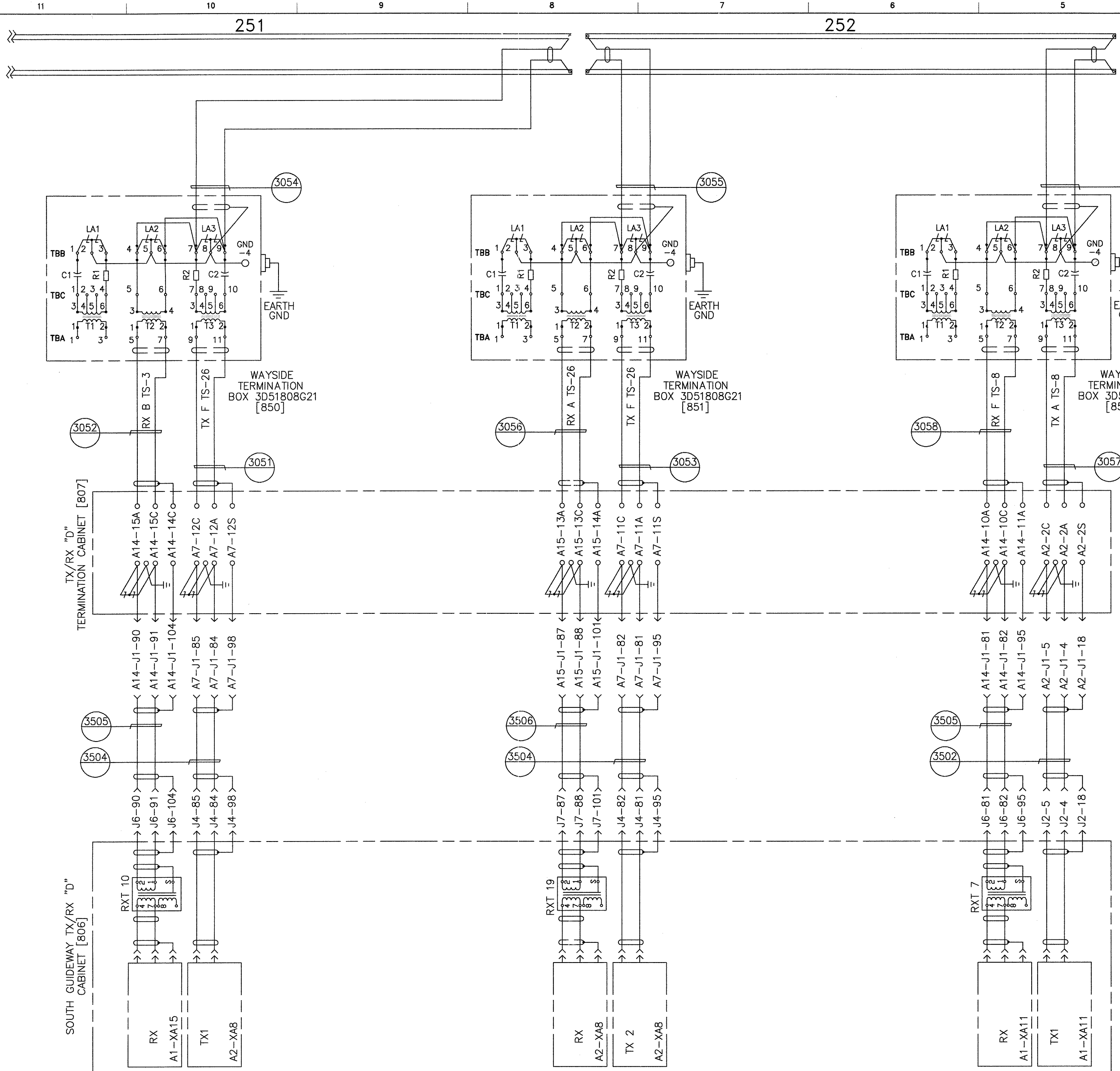


SOUTH GUIDEWAY TRANSMIT/RECEIVE

PROPRIETARY INFORMATION - SEE SHEET 1

AutoCAD

GEOMETRIC CHARACTERISTIC SYMBOLS		DFTM.	DATE	<b>BOMBARDIER</b>	
FLATNESS		R.ANDERSON	4-11-02		
STRAIGHTNESS		CHKR.		TITLE	
ROUNDNESS (CIRCULARITY)				R.KORTYNA	
CYLINDRICITY				MFG.	
PROFILE OF ANY LINE				APPD.	
PROFILE OF ANY SURFACE				DFTG. SUPV.	
PARALLELISM				J.CARNEVALE	
PERPENDICULARITY (SQUARENESS)				SCALE NONE WT.	
ANGULARITY				DWG. NO. 6D61054	
RUNOUT				REV. 7	
TRUE POSITION				SHEET 51	
CONCENTRICITY					
SYMMETRY					
MAXIMUM MATERIAL CONDITION (MMC)					
REGARDLESS OF FEATURE SIZE					



SOUTH GUIDEWAY TRANSMIT/RECEIVE (TERMINAL C)

PROPRIETARY INFORMATION - SEE SHEET 1

AutoCAD

GEOMETRIC CHARACTERISTIC SYMBOLS	
FLATNESS	▭
STRAIGHTNESS	—
ROUNDNESS (CIRCULARITY)	○
CYLINDRICITY	∅
PROFILE OF ANY LINE	⌒
PARALLELISM	∥
PERPENDICULARITY (SQUARENESS)	⊥
ANGULARITY	∠
RUNOUT	↻
TRUE POSITION	⊕
CONCENTRICITY	⊙
SYMMETRY	⊞
MAXIMUM MATERIAL CONDITION (MMC)	Ⓜ
REGARDLESS OF FEATURE SIZE	Ⓛ

DFTM. R.ANDERSON 4-11-02	DATE
CHKR.	
ENGRG. R.KORTYNA	
MFG.	
APPD.	
DFTG. SUPV. J.CARNEVALE	

<b>BOMBARDIER</b>	
TITLE HOUSTON PHASE 2	
WAYSIDE SYSTEM SCHEMATIC	
DIMENSIONS IN INCHES	
SIZE D	DWG. NO. 6D61054
SCALE NONE	WT.
SHEET 52	REV. 7

BLANK SHEET

PROPRIETARY INFORMATION - SEE SHEET 1

AutoCAD

GEOMETRIC CHARACTERISTIC SYMBOLS	
FLATNESS	
STRAIGHTNESS	
ROUNDNESS (CIRCULARITY)	
CYLINDRICITY	
PROFILE OF ANY LINE	
PROFILE OF ANY SURFACE	
PARALLELISM	
PERPENDICULARITY (SQUARENESS)	
ANGULARITY	
RUNOUT	
TRUE POSITION	
CONCENTRICITY	
SYMMETRY	
MAXIMUM MATERIAL CONDITION (MMC)	
REGARDLESS OF FEATURE SIZE	

DFTM. R.ANDERSON 4-11-02	DATE
CHKR.	
ENGRG. R.KORTYNA	
MFG.	
APPD.	
DFTG. SUPV. J.CARNEVALE	

<b>BOMBARDIER</b>		
TITLE HOUSTON PHASE 2 WAYSIDE SYSTEM SCHEMATIC		
DIMENSIONS IN INCHES		
SIZE D	DWG. NO. 6D61054	REV. 7
SCALE NONE	WT.	SHEET 53

BLANK SHEET

PROPRIETARY INFORMATION - SEE SHEET 1

AutoCAD

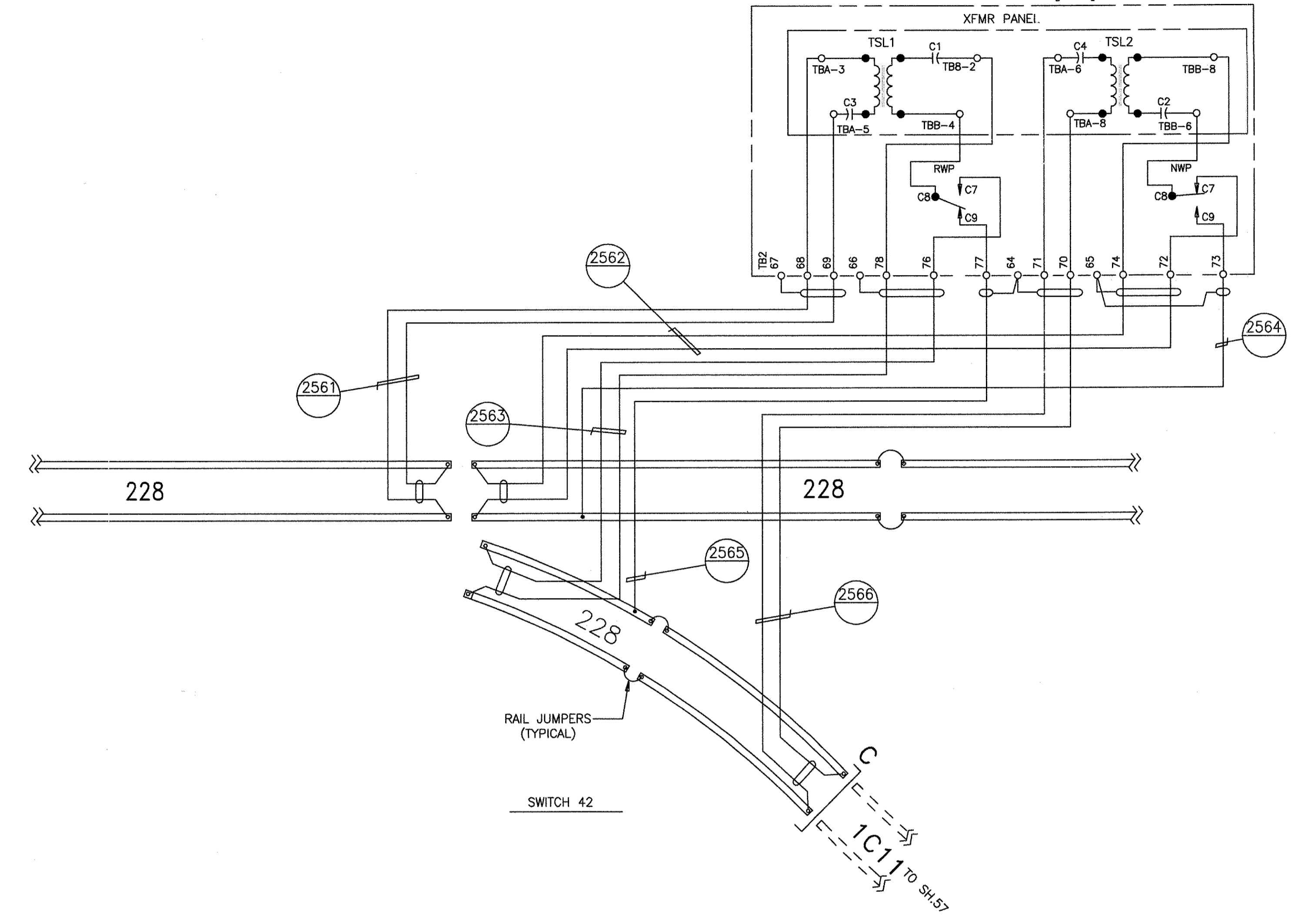
GEOMETRIC CHARACTERISTIC SYMBOLS	
FLATNESS	
STRAIGHTNESS	
ROUNDNESS (CIRCULARITY)	
CYLINDRICITY	
PROFILE OF ANY LINE	
PROFILE OF ANY SURFACE	
PARALLELISM	
PERPENDICULARITY (SQUARENESS)	
ANGULARITY	
RUNOUT	
TRUE POSITION	
CONCENTRICITY	
SYMMETRY	
MAXIMUM MATERIAL CONDITION (MMC)	
REGARDLESS OF FEATURE SIZE	

DFTM. R.ANDERSON 4-11-02	DATE
CHKR.	
ENGRG. R.KORTYNA	
MFG.	
APPD.	
DFTG. SUPV. J.CARNEVALE	

<b>BOMBARDIER</b>		
TITLE HOUSTON PHASE 2		
WAYSIDE SYSTEM SCHEMATIC		
DIMENSIONS IN INCHES		
SIZE D	DWG. NO. 6D61054	REV. 7
SCALE NONE	WT.	SHEET 54

2005 BOMBARDIER INC. OR ITS SUBSIDIARIES. ALL RIGHTS RESERVED.

SWITCH LOGIC CONTROL CABINET  
GENERAL ASSEMBLY 3A64952G10 [1077]



MAINTENANCE TRANSMIT/RECEIVE

PROPRIETARY INFORMATION - SEE SHEET 1

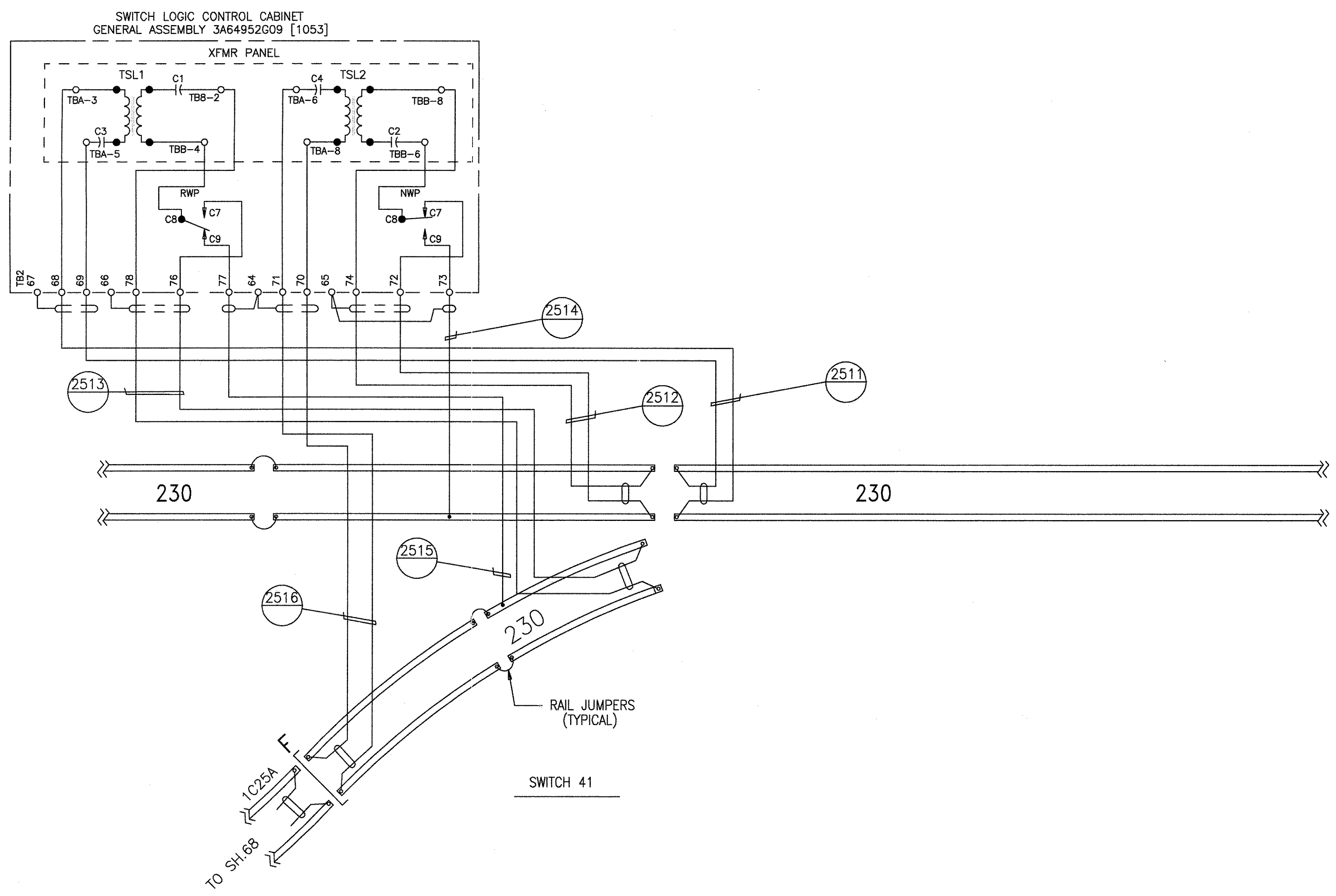
AutoCAD

GEOMETRIC CHARACTERISTIC SYMBOLS	
FLATNESS	▭
STRAIGHTNESS	—
ROUNDNESS (CIRCULARITY)	○
CYLINDRICITY	∅
PROFILE OF ANY LINE	—
PROFILE OF ANY SURFACE	—
PARALLELISM	∥
PERPENDICULARITY (SQUARENESS)	⊥
ANGULARITY	∠
RUNOUT	↻
TRUE POSITION	⊕
CONCENTRICITY	⊙
SYMMETRY	⊞
MAXIMUM MATERIAL CONDITION (MMC)	Ⓜ
REGARDLESS OF FEATURE SIZE	Ⓛ

DFTM.	DATE
R.ANDERSON	4-11-02
CHKR.	
ENGRG.	R.KORTYNA
MFG.	
APPD.	
DFTG. SUPV.	J.CARNEVALE

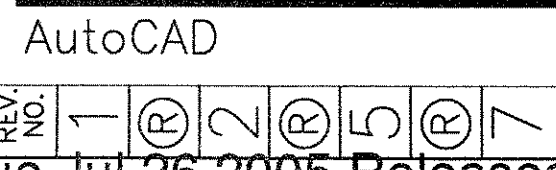
BOMBARDIER	
TITLE	HOJSTON PHASE 2
	WAYSIDE SYSTEM SCHEMATIC
DIMENSIONS IN INCHES	
SIZE	D
DWG. NO.	6D61054
REV.	7
SCALE	NONE
WT.	
SHEET	55





MAINTENANCE TRANSMIT/RECEIVE

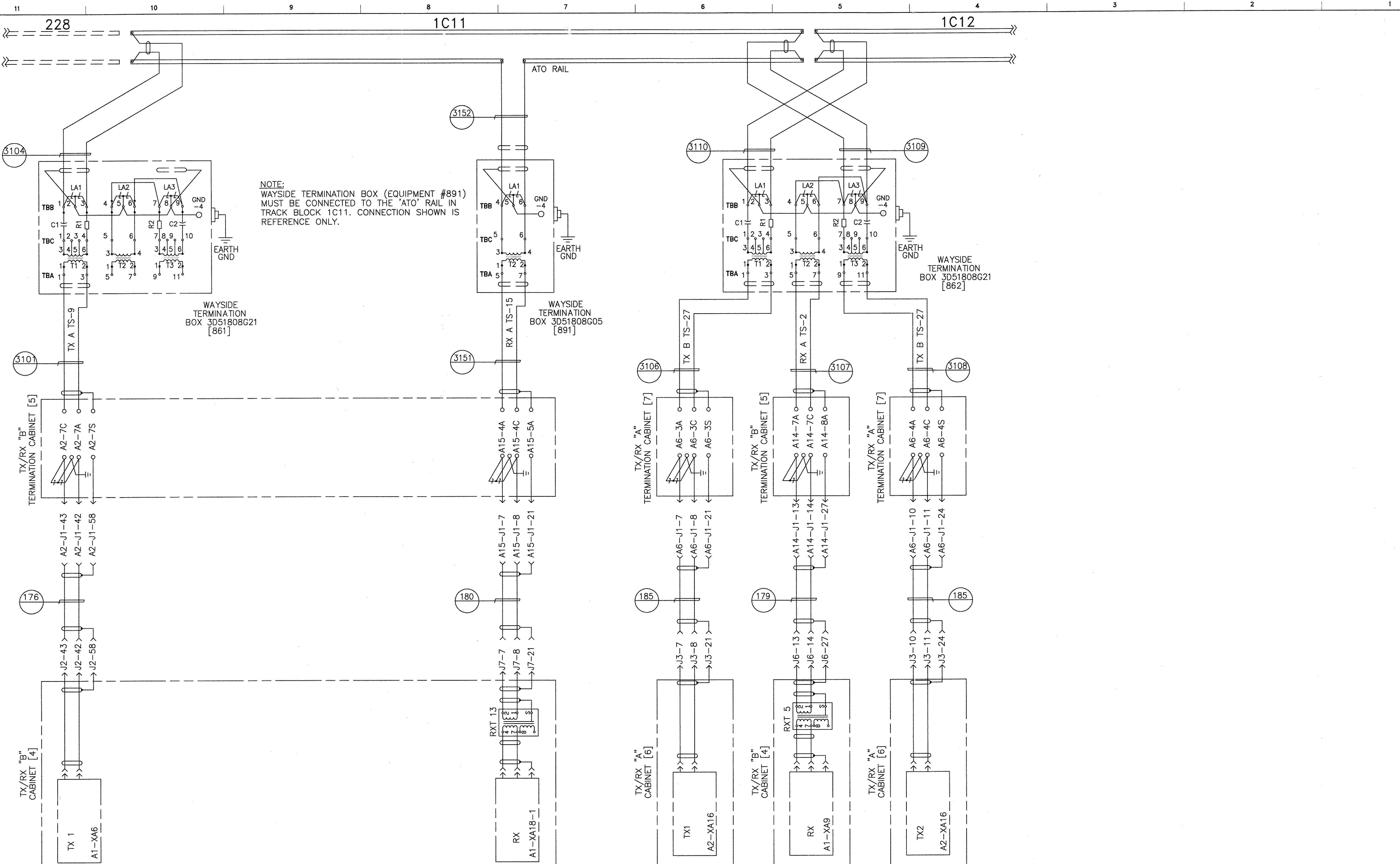
PROPRIETARY INFORMATION - SEE SHEET 1



GEOMETRIC CHARACTERISTIC SYMBOLS	
FLATNESS	▭
STRAIGHTNESS	—
ROUNDNESS (CIRCULARITY)	○
CYLINDRICITY	∅
PROFILE OF ANY LINE	—
PROFILE OF ANY SURFACE	—
PARALLELISM	∥
PERPENDICULARITY (SQUARENESS)	⊥
ANGULARITY	∠
RUNOUT	↻
TRUE POSITION	⊕
CONCENTRICITY	⊗
SYMMETRY	≡
MAXIMUM MATERIAL CONDITION (MMC)	Ⓜ
REGARDLESS OF FEATURE SIZE	Ⓛ

DFTM. R.ANDERSON 4-11-02	DATE
CHKR.	
ENGRG. R.KORTYNA	
MFG.	
APPD.	
DFTG. SUPV. J.CARNEVALE	

<b>BOMBARDIER</b>	
TITLE HOUSTON PHASE 2 WAYSIDE SYSTEM SCHEMATIC	
DIMENSIONS IN INCHES	
SIZE D	DWG. NO. 6D61054
SCALE NONE	WT. SHEET 56
REV. 7	



MAINTENANCE TRANSMIT/RECEIVE

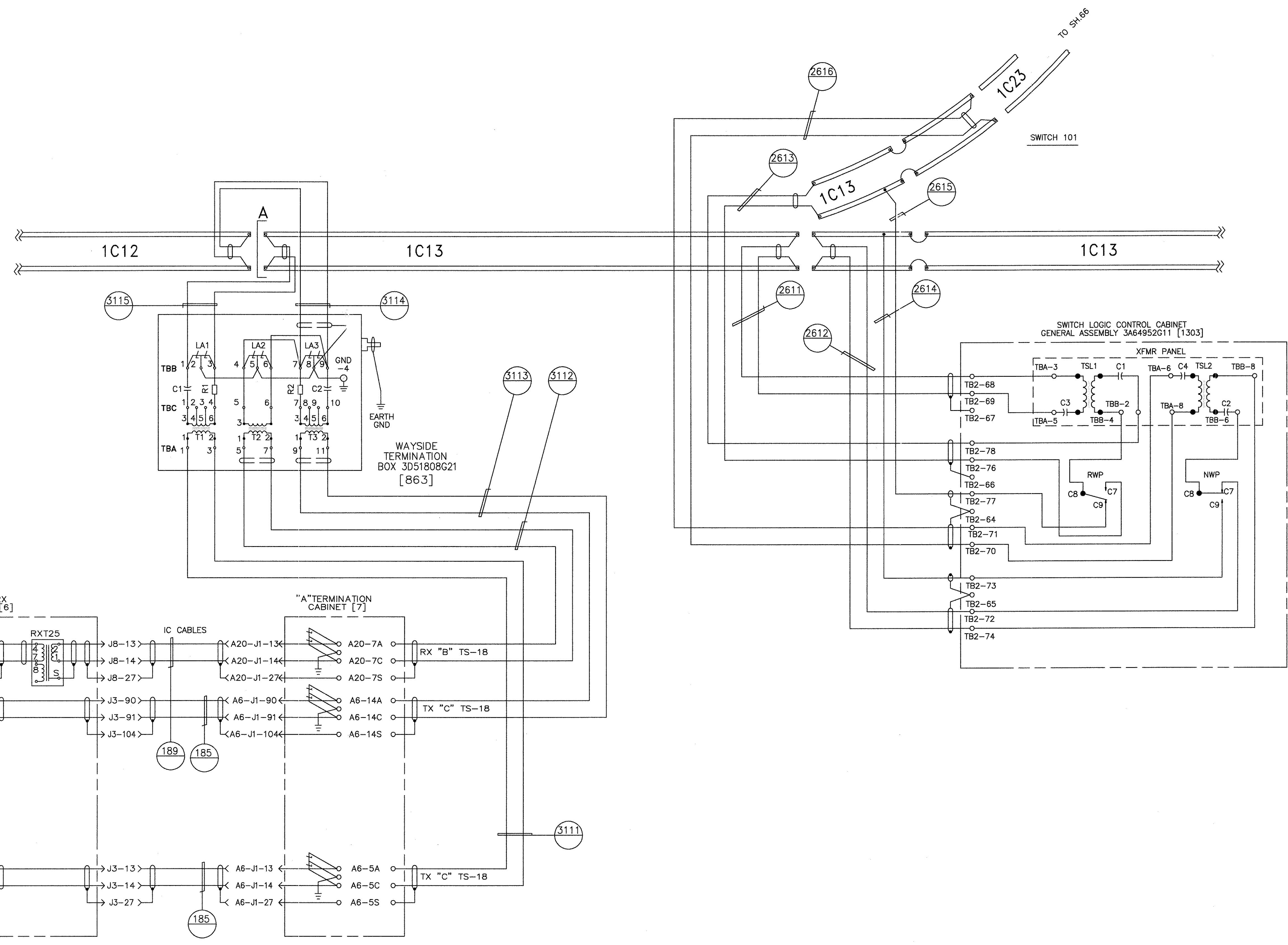
PROPRIETARY INFORMATION - SEE SHEET 1

AutoCAD

GEOMETRIC CHARACTERISTIC SYMBOLS	
FLATNESS	▭
STRAIGHTNESS	▭
ROUNDNESS (CIRCULARITY)	○
CYLINDRICITY	○
PROFILE OF ANY LINE	—
PROFILE OF ANY SURFACE	—
PARALLELISM	∥
PERPENDICULARITY (SQUARENESS)	⊥
ANGULARITY	∠
RUNOUT	⊖
TRUE POSITION	⊕
CONCENTRICITY	⊙
SYMMETRY	⊞
MAXIMUM MATERIAL CONDITION (MMC)	Ⓜ
REGARDLESS OF FEATURE SIZE	Ⓜ

DFTM.		DATE
R.ANDERSON		4-11-02
ENGRG.		R.KORTYNA
MFG.		
APPD.		
DFTG. SUPV.		J.CARNEVALE

BOMBARDIER		
TITLE		
HOUSTON PHASE 2		
WAYSIDE SYSTEM SCHEMATIC		
DIMENSIONS IN INCHES		
SIZE	DWG. NO.	REV.
D	6D61054	7
SCALE	NONE	WT.
		SHEET 57



### MAINTENANCE TRANSMIT/RECEIVE

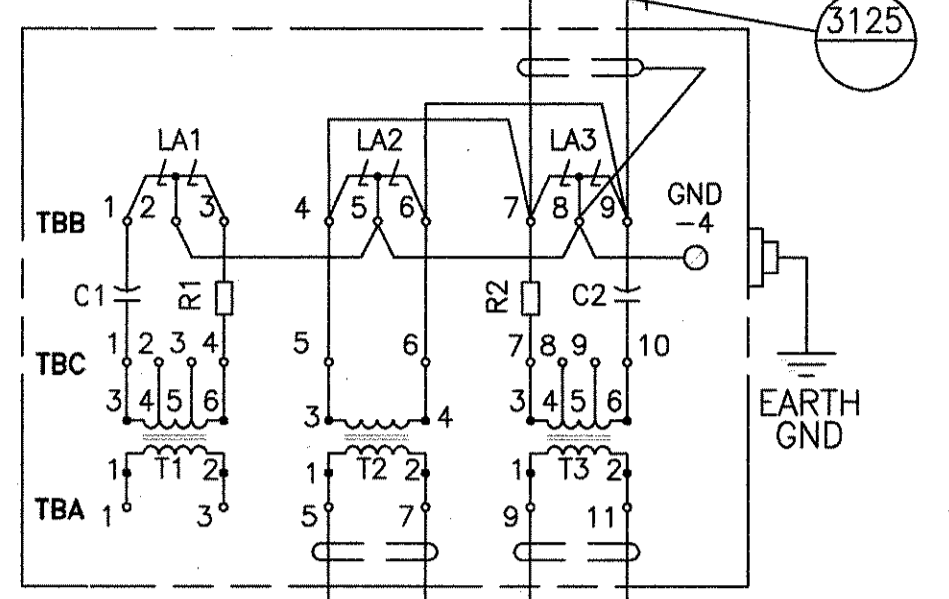
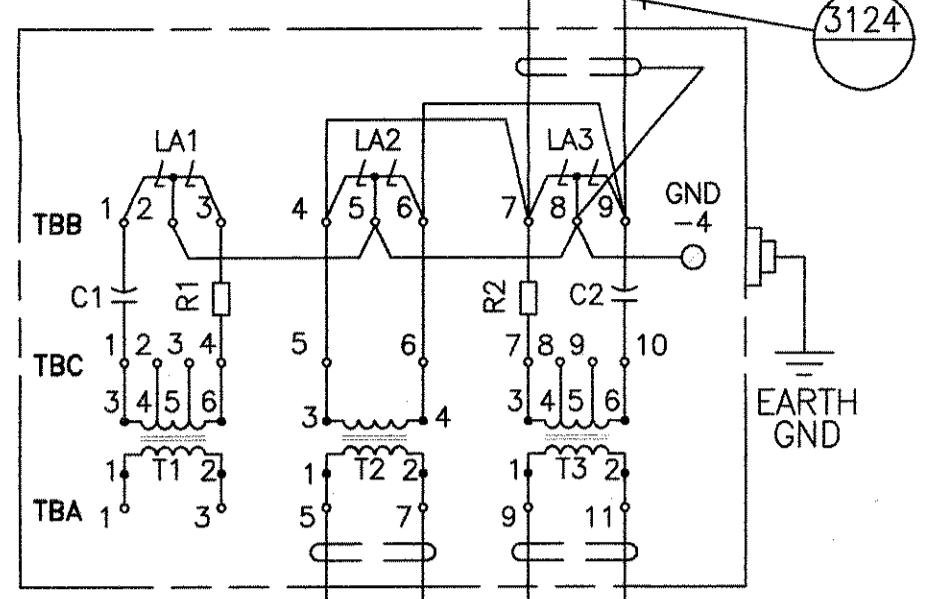
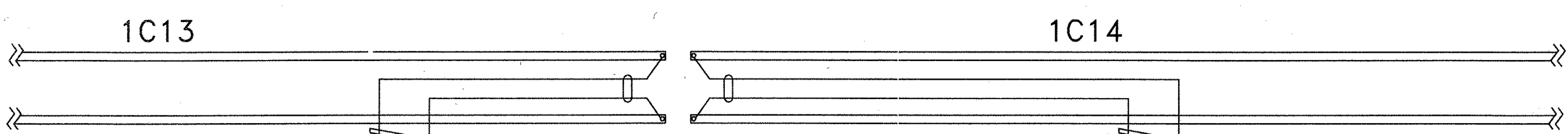
PROPRIETARY INFORMATION - SEE SHEET 1

AutoCAD

GEOMETRIC CHARACTERISTIC SYMBOLS	
FLATNESS	▭
STRAIGHTNESS	—
ROUNDNESS (CIRCULARITY)	○
CYLINDRICITY	⊘
PROFILE OF ANY LINE	—
PROFILE OF ANY SURFACE	—
PARALLELISM	∥
PERPENDICULARITY (SQUARENESS)	⊥
ANGULARITY	∠
ROUNDOUT	⊖
TRUE POSITION	⊕
CONCENTRICITY	⊙
SYMMETRY	⊞
MAXIMUM MATERIAL CONDITION (MMC)	Ⓜ
REGARDLESS OF FEATURE SIZE	Ⓛ

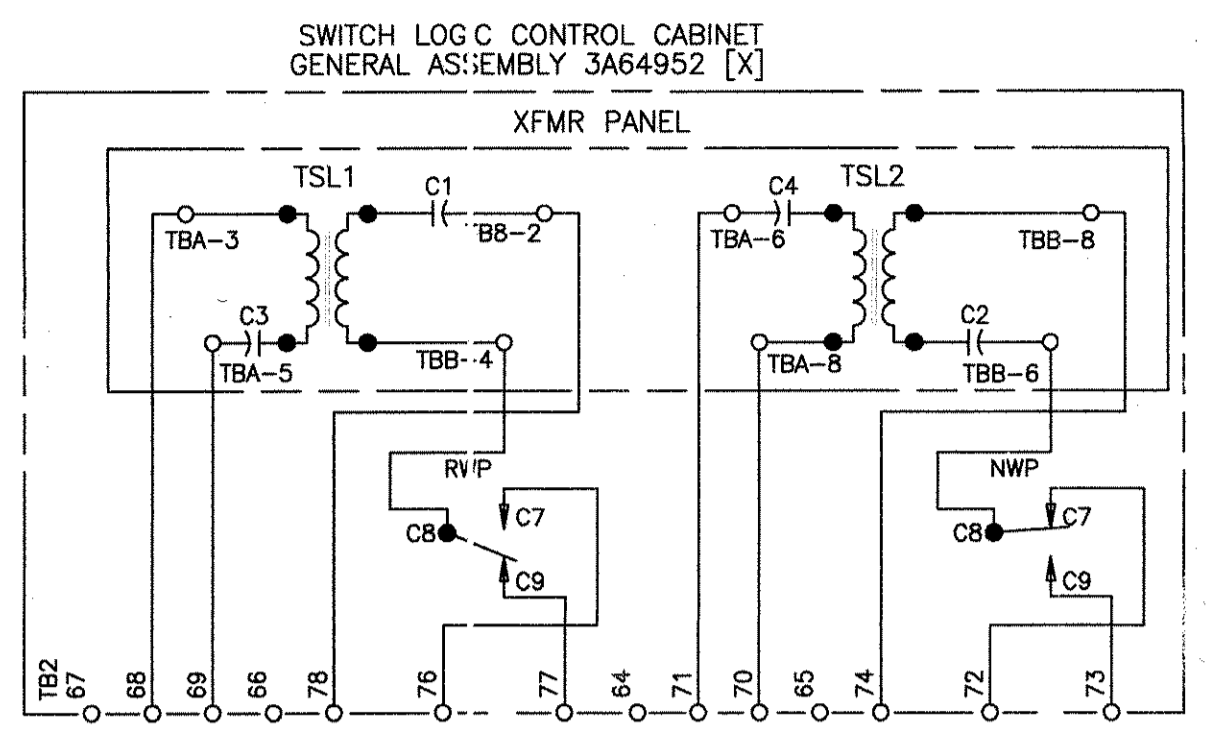
DFTM. R.ANDERSON 4-11-02	DATE
CHKR.	
ENGRG. R.KORTYNA	
MFG.	
APPD.	
DFTG. SUPV. J.CARNEVALE	

<b>BOMBARDIER</b>	
TITLE HOUSTON PHASE 2 WAYSIDE SYSTEM SCHEMATIC	
DIMENSIONS IN INCHES	
SIZE D	DWG. NO. 6D61054
SCALE NONE	WT. SHEET 58
REV. 7	

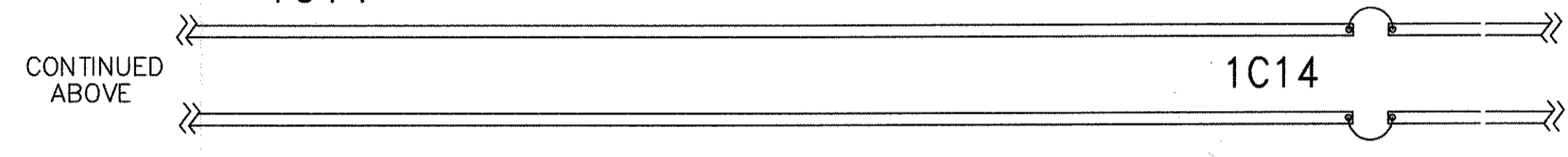
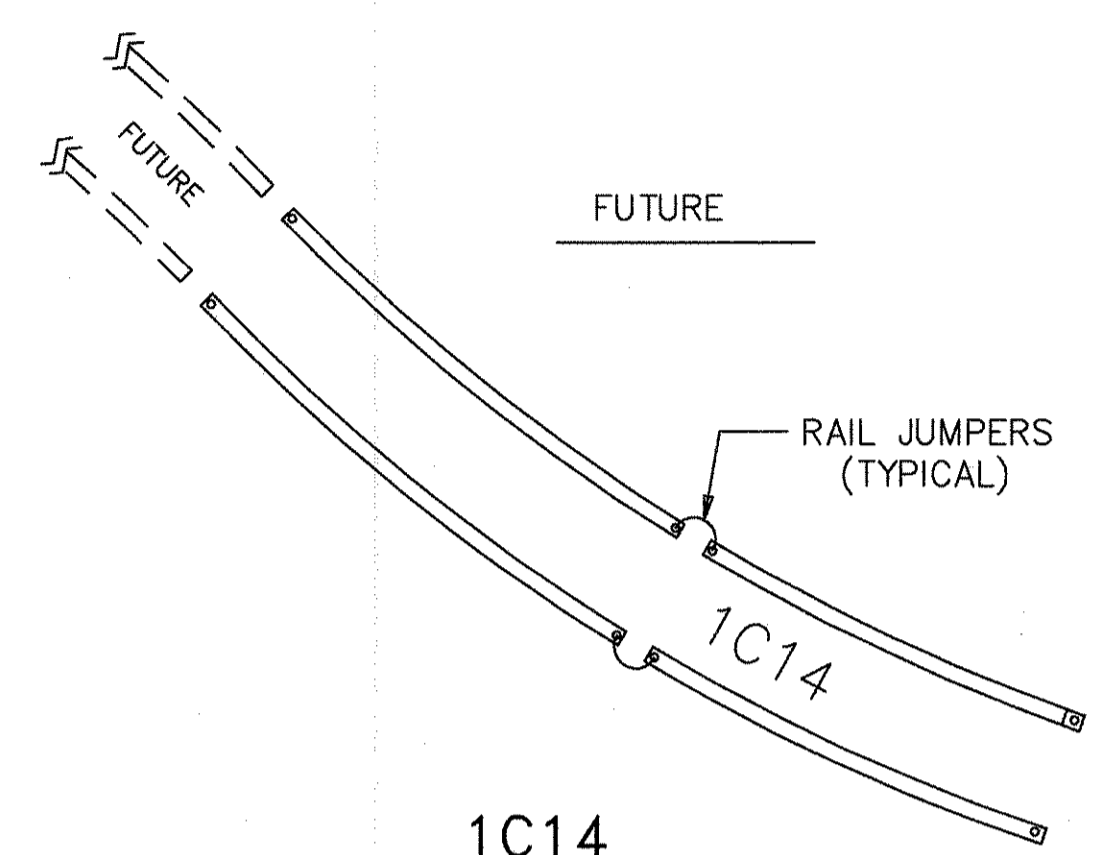


WAYSIDE TERMINATION BOX 3D51808G21 [864]

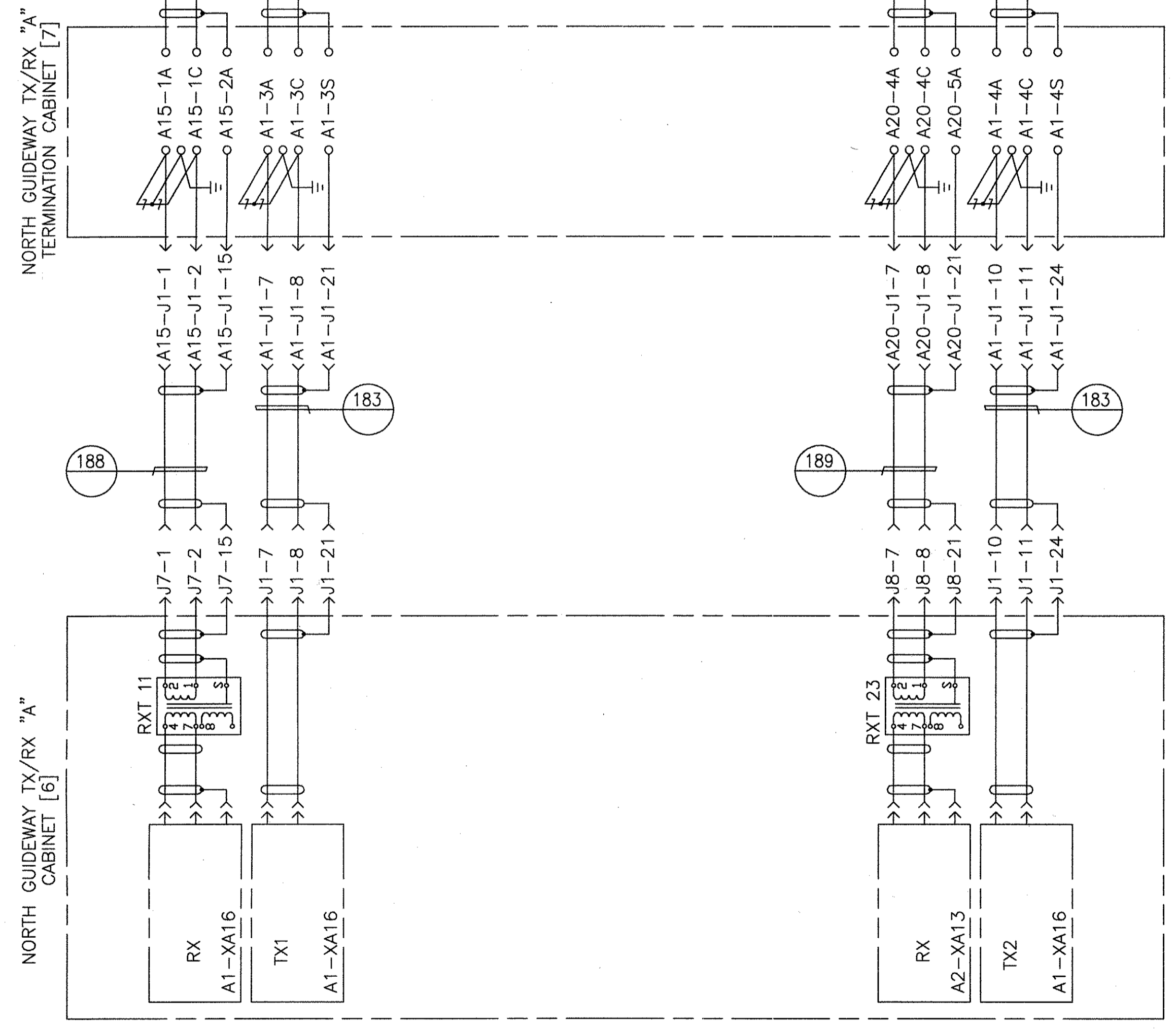
WAYSIDE TERMINATION BOX 3D51808G21 [865]



SLCC-FUTURE WIRING-FUTURE



SWITCH 102

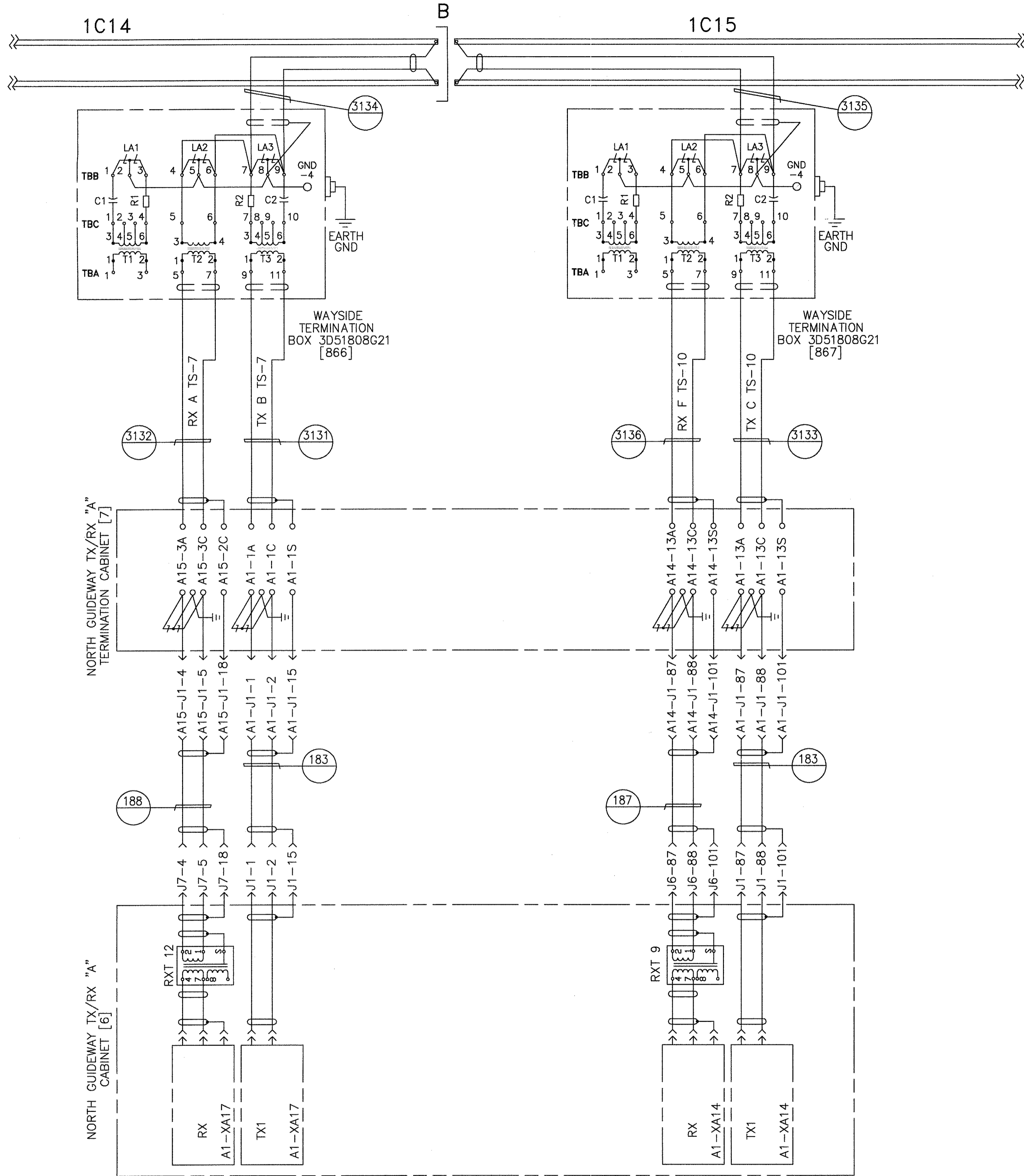


MAINTENANCE TRANSMIT/RECEIVE

PROPRIETARY INFORMATION - SEE SHEET 1

AutoCAD

<b>GEOMETRIC CHARACTERISTIC SYMBOLS</b> FLATNESS STRAIGHTNESS ROUNDNESS (CIRCULARITY) CYLINDRICITY PROFILE OF ANY LINE PROFILE OF ANY SURFACE PARALLELISM PERPENDICULARITY (SQUARENESS) ANGULARITY RUNOUT TRUE POSITION CONCENTRICITY SYMMETRY MAXIMUM MATERIAL CONDITION (MMC) REGARDLESS OF FEATURE SIZE		DFTM. R.ANDERSON ENGRG. R.KORTYNA MFG. APPD. DFTG. SUIV. J.CARNEVALE	DATE 4-11-02 TITLE HOUSTON PHASE 2 WAYSIDE SYSTEM SCHEMATIC DIMENSIONS IN INCHES SIZE D SCALE NONE WT.	DWP. NO. 6D61054 REV. 7 SHEET 59
---	--	---	---	--



MAINTENANCE TRANSMIT/RECEIVE

PROPRIETARY INFORMATION - SEE SHEET 1

AutoCAD

© 2005 BOMBARDIER INC. OR ITS SUBSIDIARIES. ALL RIGHTS RESERVED.

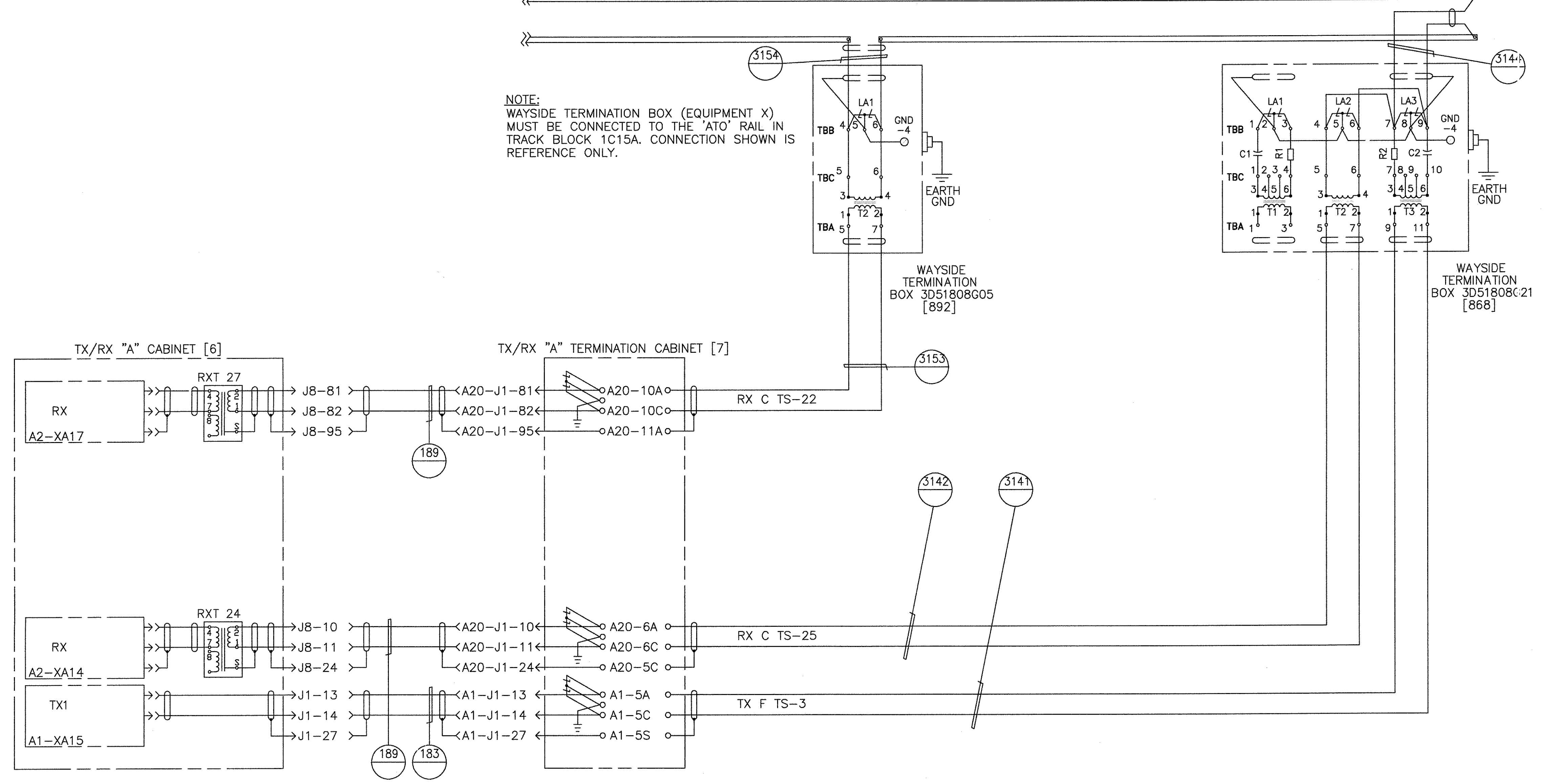
GEOMETRIC CHARACTERISTIC SYMBOLS	
FLATNESS	▭
STRAIGHTNESS	—
ROUNDNESS (CIRCULARITY)	○
CYLINDRICITY	∅
PROFILE OF ANY LINE	—
PROFILE OF ANY SURFACE	⌒
PARALLELISM	∥
PERPENDICULARITY (SQUARENESS)	⊥
ANGULARITY	∠
RUNOUT	↻
TRUE POSITION	⊕
CONCENTRICITY	⊗
SYMMETRY	⊞
MAXIMUM MATERIAL CONDITION (MMC)	Ⓜ
REGARDLESS OF FEATURE SIZE	Ⓛ

DFTM.	R.ANDERSON	DATE	4-11-02
CHKR.			
ENGRG.	R.KORTYNA		
MFG.			
APPD.			
DFTG. SU IV.	J.CARNEVALE		

<b>BOMBARDIER</b>	
TITLE	
HOUSTON PHASE 2	
WAYSIDE SYSTEM SCHEMATIC	
DIMENSIONS IN INCHES	
SIZE	D
DWG. NO.	6D61054
REV.	7
SCALE	NONE
WT.	
SHEET	60

1C15A 1C15

NOTE:  
WAYSIDE TERMINATION BOX (EQUIPMENT X)  
MUST BE CONNECTED TO THE 'ATO' RAIL IN  
TRACK BLOCK 1C15A. CONNECTION SHOWN IS  
REFERENCE ONLY.



MAINTENANCE TRANSMIT/RECEIVE

PROPRIETARY INFORMATION - SEE SHEET 1

AutoCAD

GEOMETRIC CHARACTERISTIC SYMBOLS	
FLATNESS	▭
STRAIGHTNESS	—
ROUNDNESS (CIRCULARITY)	○
CYLINDRICITY	∅
PROFILE OF ANY LINE	⌒
PARALLELISM	∥
PERPENDICULARITY (SQUARENESS)	⊥
ANGULARITY	∠
RUNOUT	↻
TRUE POSITION	⊕
CONCENTRICITY	⊙
SYMMETRY	⊞
MAXIMUM MATERIAL CONDITION (MMC)	Ⓜ
REGARDLESS OF FEATURE SIZE	Ⓛ



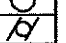
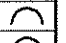

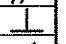




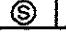


DFTM.	R.ANDERSON 4-11-02	DATE
CHRR.		
ENGRG.	R.KORTYNA	
MFG.		
APPD.		
DFTG. SU-V.	J.CARNEVALE	

<b>BOMBARDIER</b>	
TITLE HOUSTON PHASE 2 WAYSIDE SYSTEM SCHEMATIC	
DIMENSIONS IN INCHES	
SIZE D	DWG. NO. 6D61054
SCALE NONE	WT. SHEET 61
REV. 7	

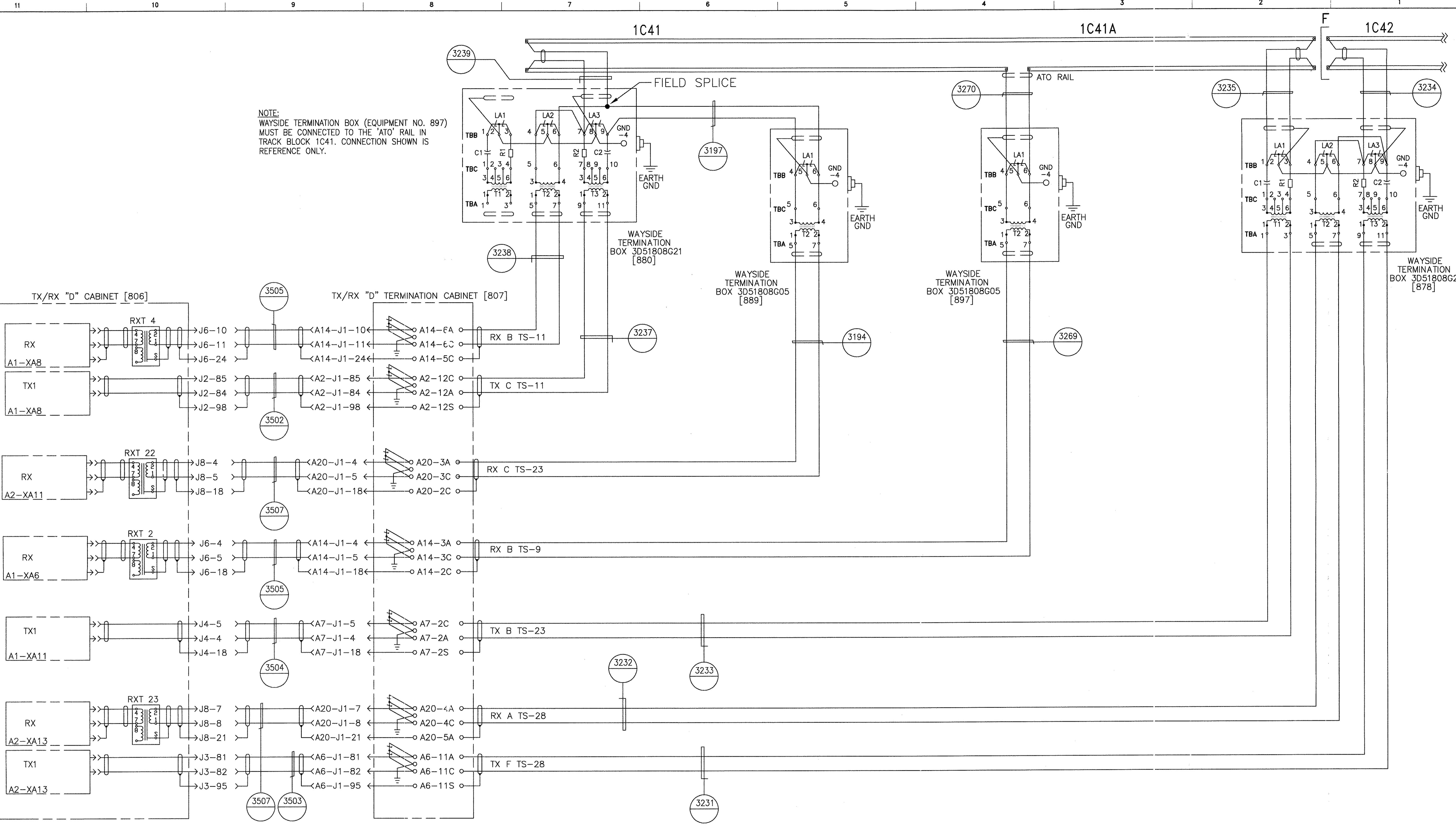
BLANK SHEET

PROPRIETARY INFORMATION - SEE SHEET 1

AutoCAD

<b>GEOMETRIC CHARACTERISTIC SYMBOLS</b> FLATNESS  STRAIGHTNESS  ROUNDNESS (CIRCULARITY)  CYLINDRICITY  PROFILE OF ANY LINE  PROFILE OF ANY SURFACE  PARALLELISM  PERPENDICULARITY (SQUARENESS)  ANGULARITY  RUNOUT  TRUE POSITION  CONCENTRICITY  SYMMETRY  MAXIMUM MATERIAL CONDITION (MMC)  REGARDLESS OF FEATURE SIZE		DFTM. <b>R.ANDERSON</b> DATE <b>4-11-02</b> CHKR. ENGRG. <b>R.KORTYNA</b> MFG. APPD. DFTG. SU 'V. <b>J.CARNEVALE</b> <i>87A</i>	<b>BOMBARDIER</b> TITLE <b>HOUSTON PHASE 2</b> <b>WAYSIDE SYSTEM SCHEMATIC</b> DIMENSIONS IN INCHES SIZE <b>D</b> DWG. NO. <b>6D61054</b> REV. <b>7</b> SCALE NONE WT. SHEET 62
---	--	--	--

2005 BOMBARDIER INC. OR ITS SUBSIDIARIES. ALL RIGHTS RESERVED.



NOTE:  
WAYSIDE TERMINATION BOX (EQUIPMENT NO. 897)  
MUST BE CONNECTED TO THE 'ATO' RAIL IN  
TRACK BLOCK 1C41. CONNECTION SHOWN IS  
REFERENCE ONLY.

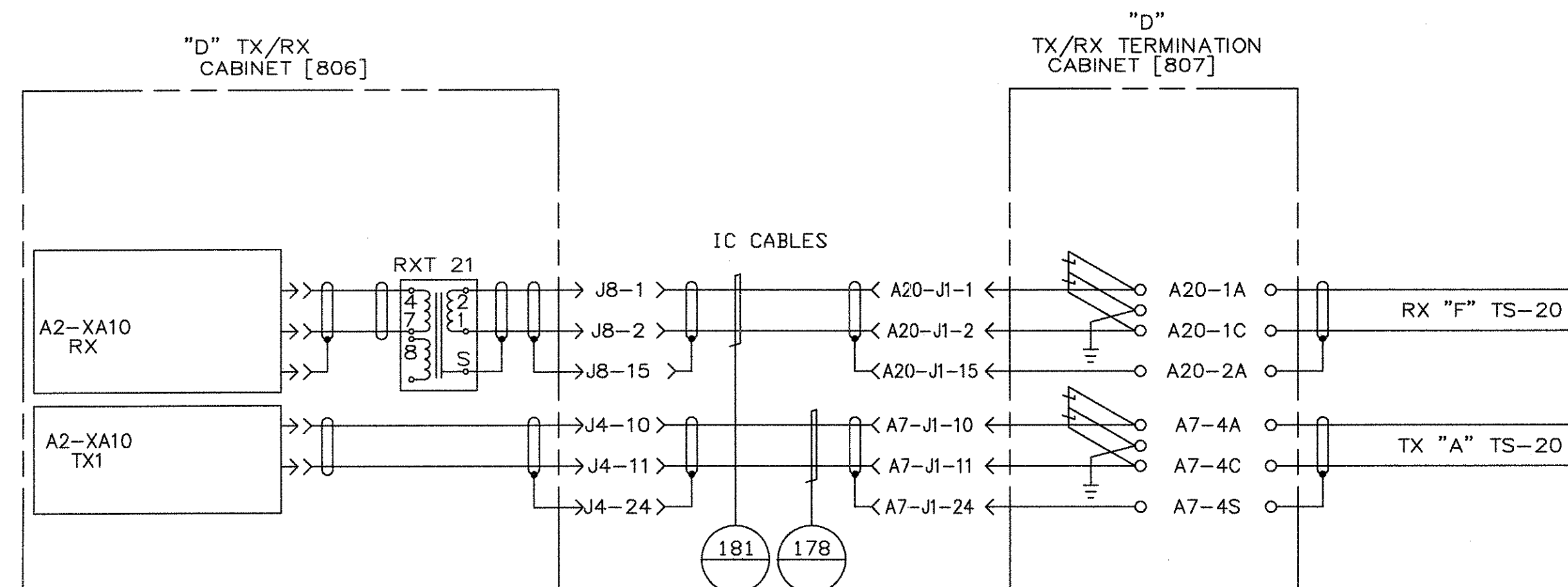
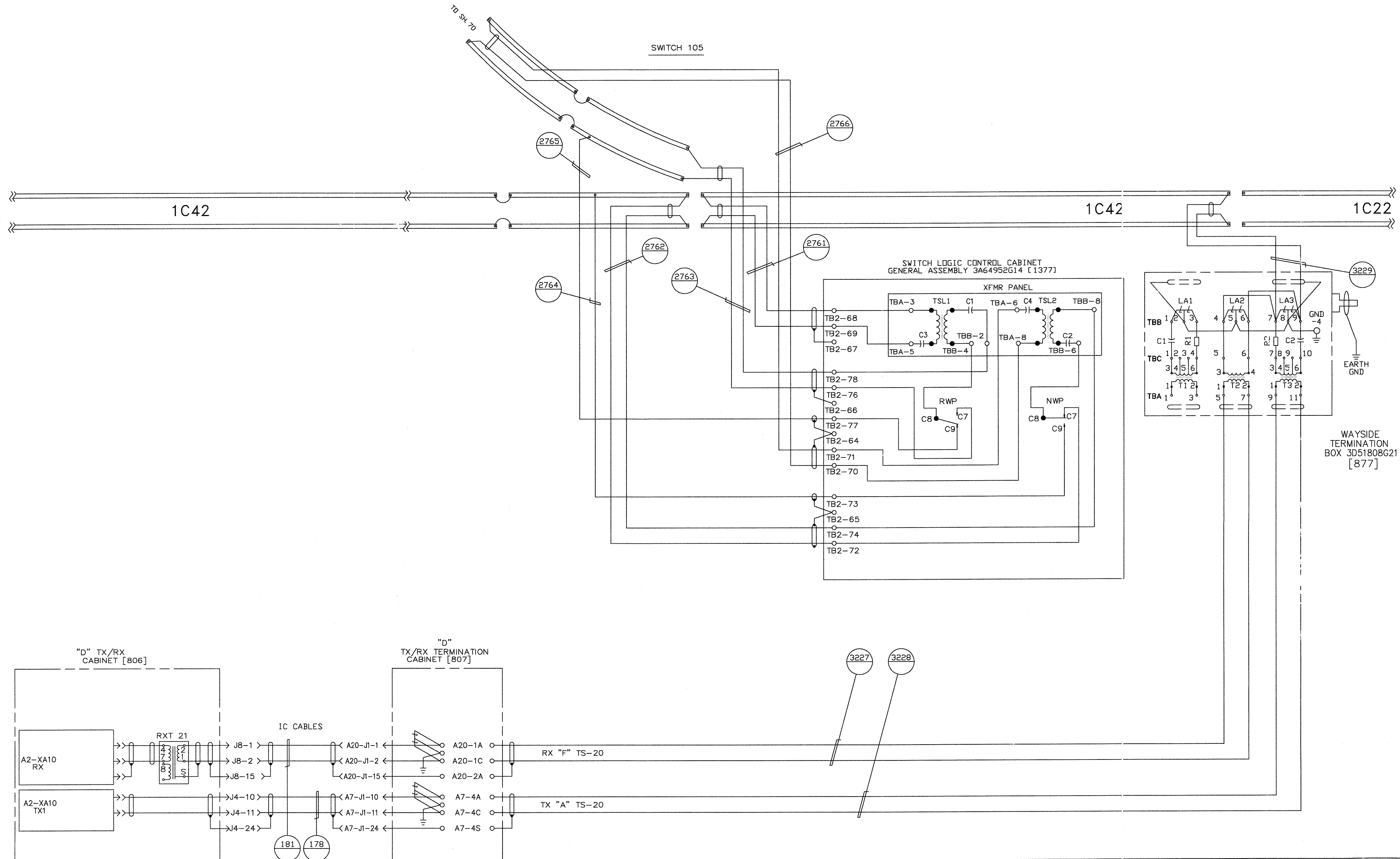
MAINTENANCE TRANSMIT/RECEIVE

PROPRIETARY INFORMATION - SEE SHEET 1

AutoCAD

GEOMETRIC CHARACTERISTIC SYMBOLS		DFTM. DATE		BOMBARDIER	
FLATNESS		R.ANDERSON	4-11-02	HOUSTON PHASE 2	
STRAIGHTNESS		CHKR.		WAYSIDE SYSTEM SCHEMATIC	
ROUNDNESS (CIRCULARITY)		ENGRG.		DIMENSIONS IN INCHES	
CYLINDRICITY		R.KORTYNA		SIZE	DWG. NO.
PROFILE OF ANY LINE		MFG.		D	6D61054
PROFILE OF ANY SURFACE		APPD.		SCALE	NONE
PARALLELISM		J.CARNEVALE		WT.	
PERPENDICULARITY (SQUARENESS)				SHEET	63
ANGULARITY				REV.	7
RUNOUT					
TRUE POSITION					
CONCENTRICITY					
SYMMETRY					
MAXIMUM MATERIAL CONDITION (MMC)					
REGARDLESS OF FEATURE SIZE					





MAINTENANCE TRANSMIT/RECEIVE

PROPRIETARY INFORMATION - SEE SHEET 1

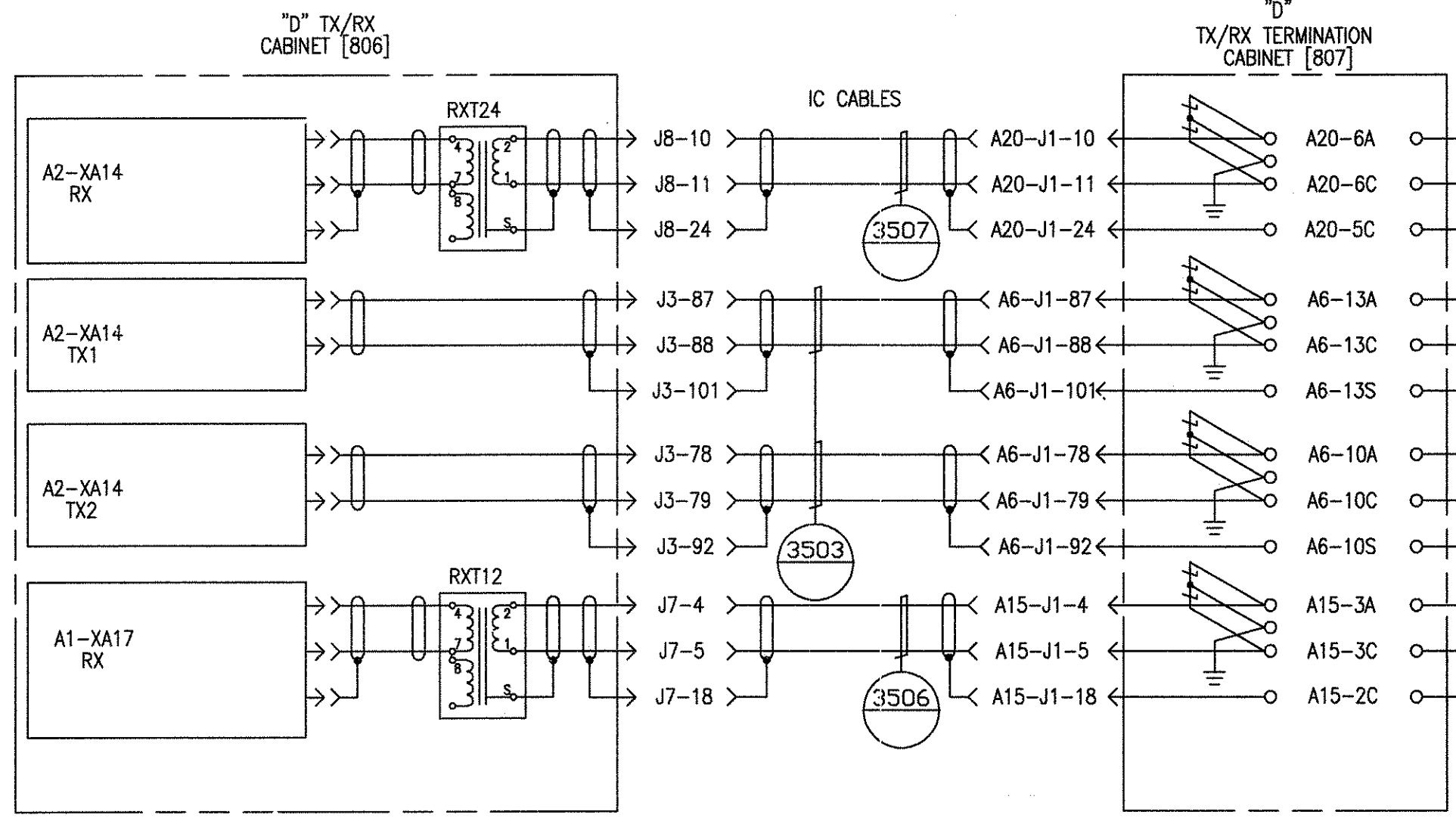
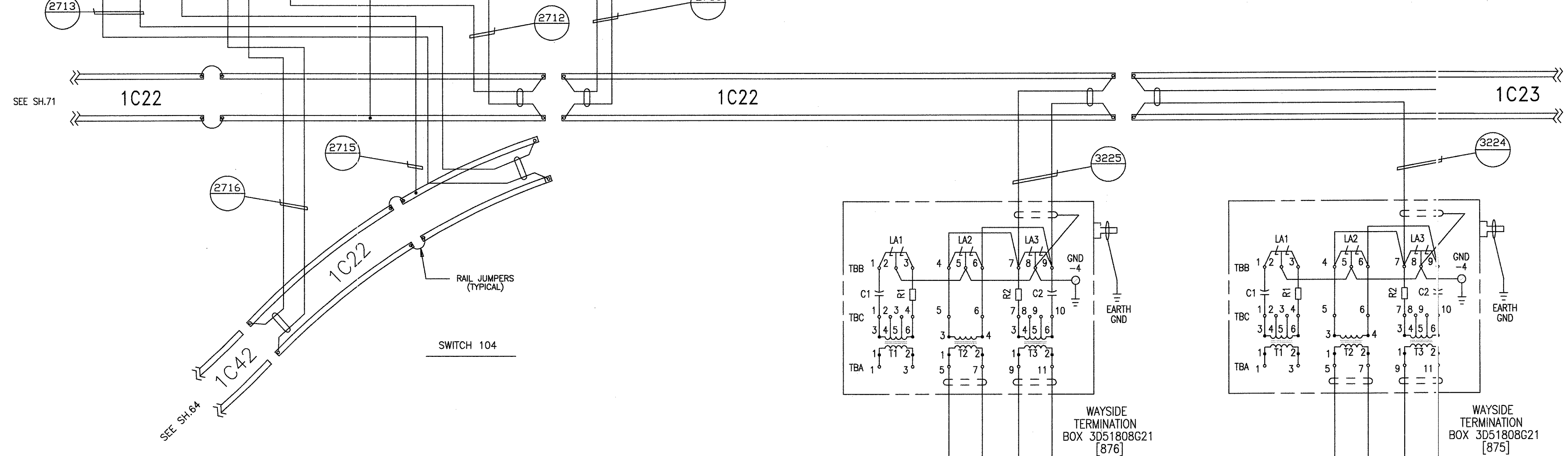
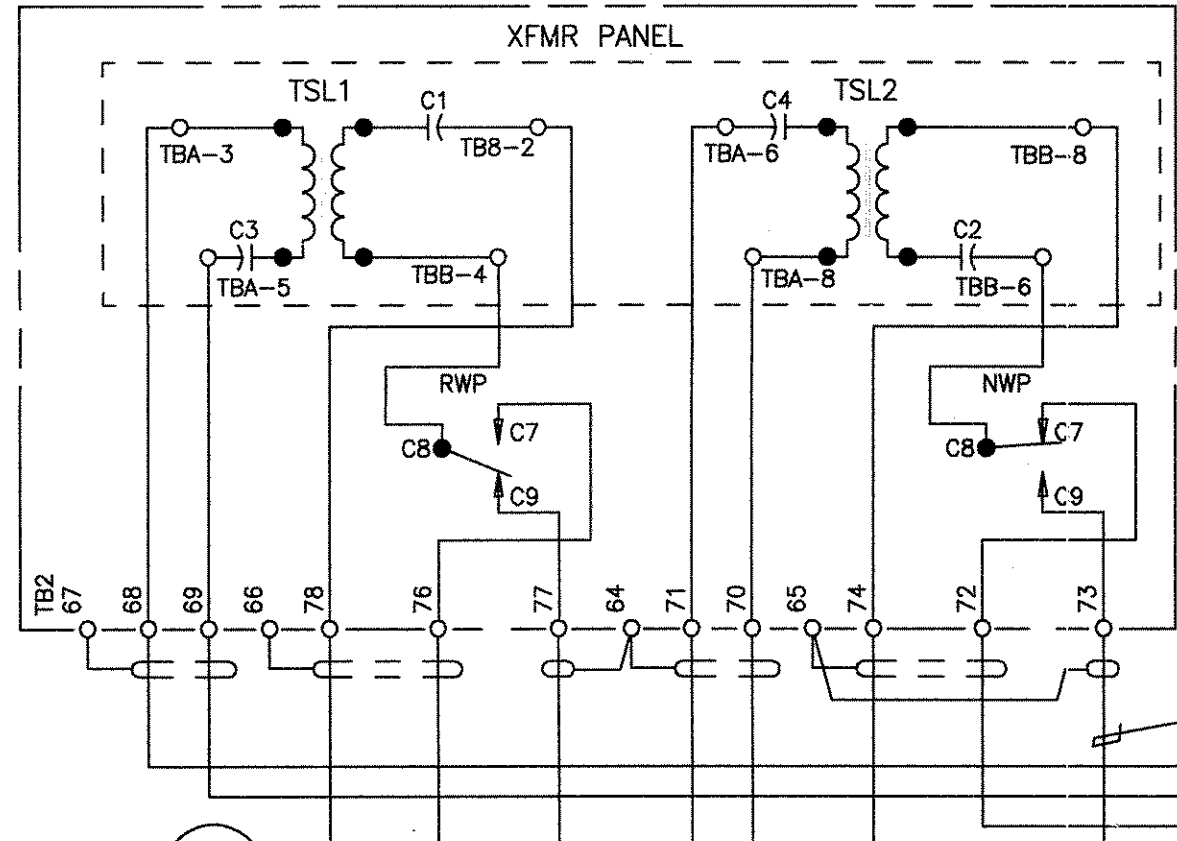
AutoCAD

GEOMETRIC CHARACTERISTIC SYMBOLS	
FLATNESS	▭
STRAIGHTNESS	—
ROUNDNESS (CIRCULARITY)	○
CYLINDRICITY	⊘
PROFILE OF ANY LINE	—
PROFILE OF ANY SURFACE	—
PARALLELISM	∥
PERPENDICULARITY (SQUARENESS)	⊥
ANGULARITY	∠
RUNOUT	⊖
TRUE POSITION	⊕
CONCENTRICITY	⊙
SYMMETRY	⊞
MAXIMUM MATERIAL CONDITION (MMC)	Ⓜ
REGARDLESS OF FEATURE SIZE	Ⓛ

DFTM. R.ANDERSON 4-11-02	DATE
CHKR.	
ENGRG. R.KORTYNA	
MFG.	
APPD.	
DFTG. SU. V. J.CARNEVALE	

<b>BOMBARDIER</b>	
TITLE HOUSTON PHASE 2	
WAYSIDE SYSTEM SCHEMATIC	
DIMENSIONS IN INCHES	
SIZE D	DWG. NO. 6D61054
SCALE NONE	WT.
SHEET 64	REV. 7

SWITCH LOGIC CONTROL CABINET  
GENERAL ASSEMBLY 3A64952G13 [1353]



MAINTENANCE TRANSMIT/RECEIVE

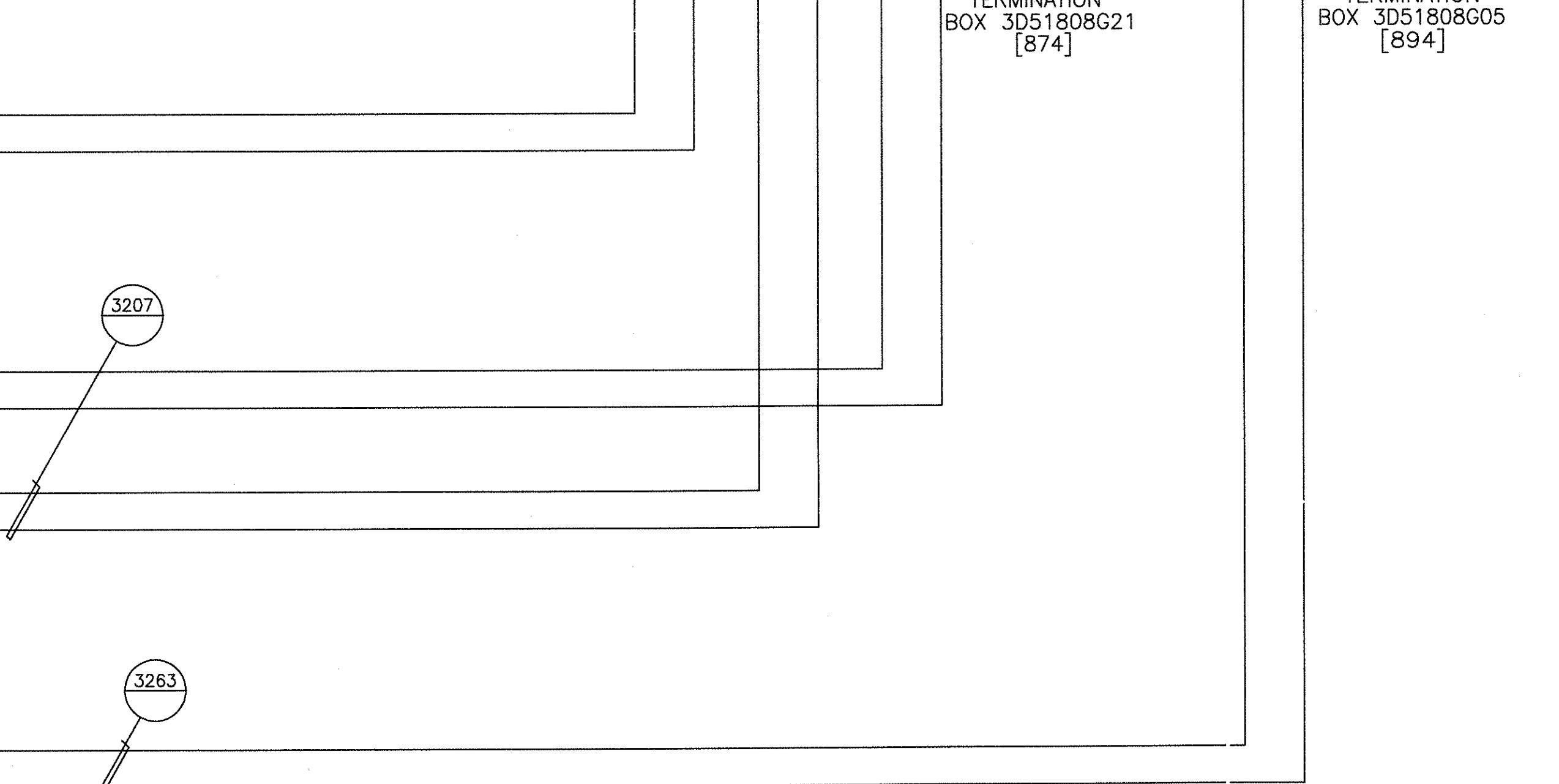
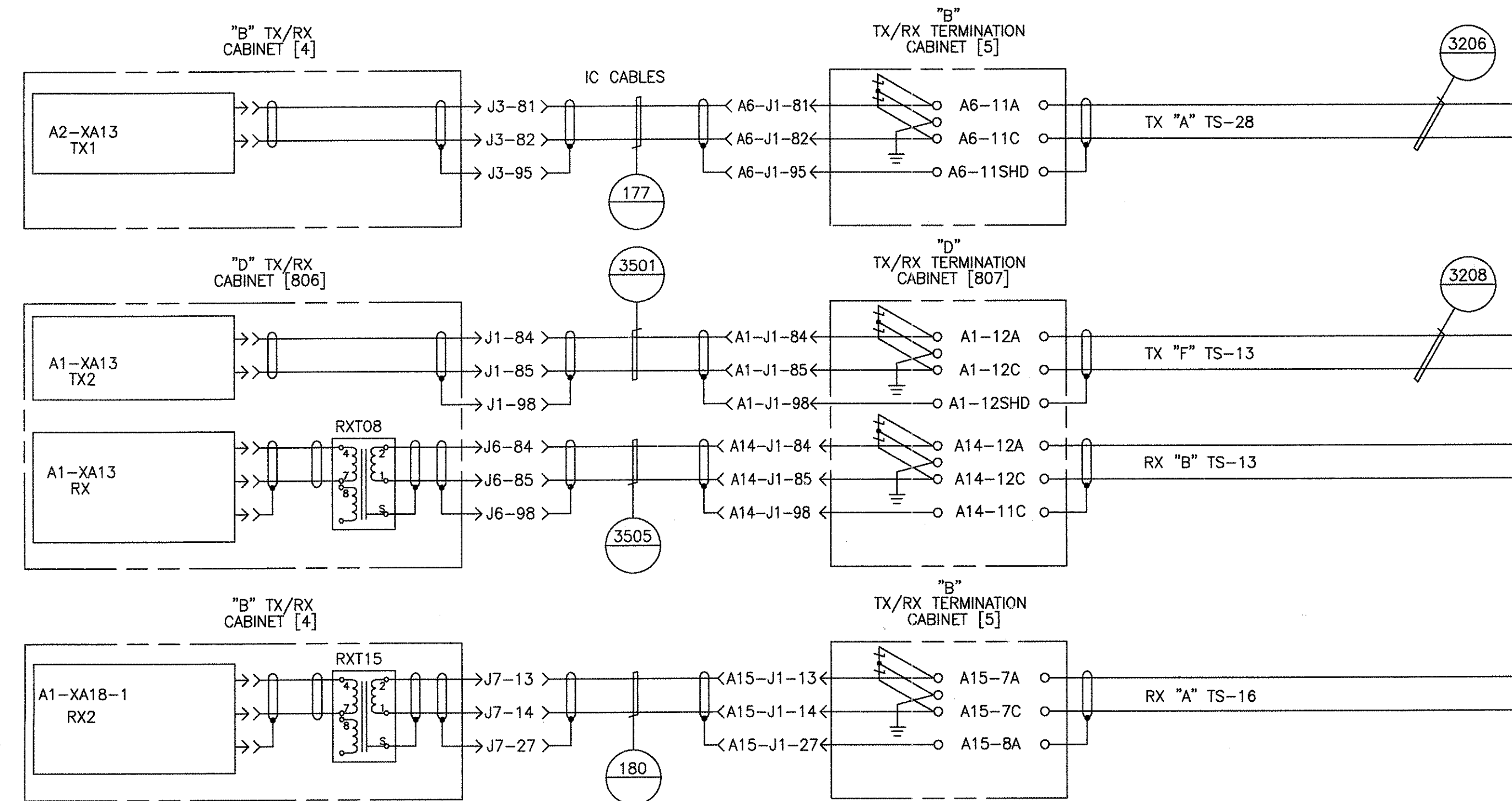
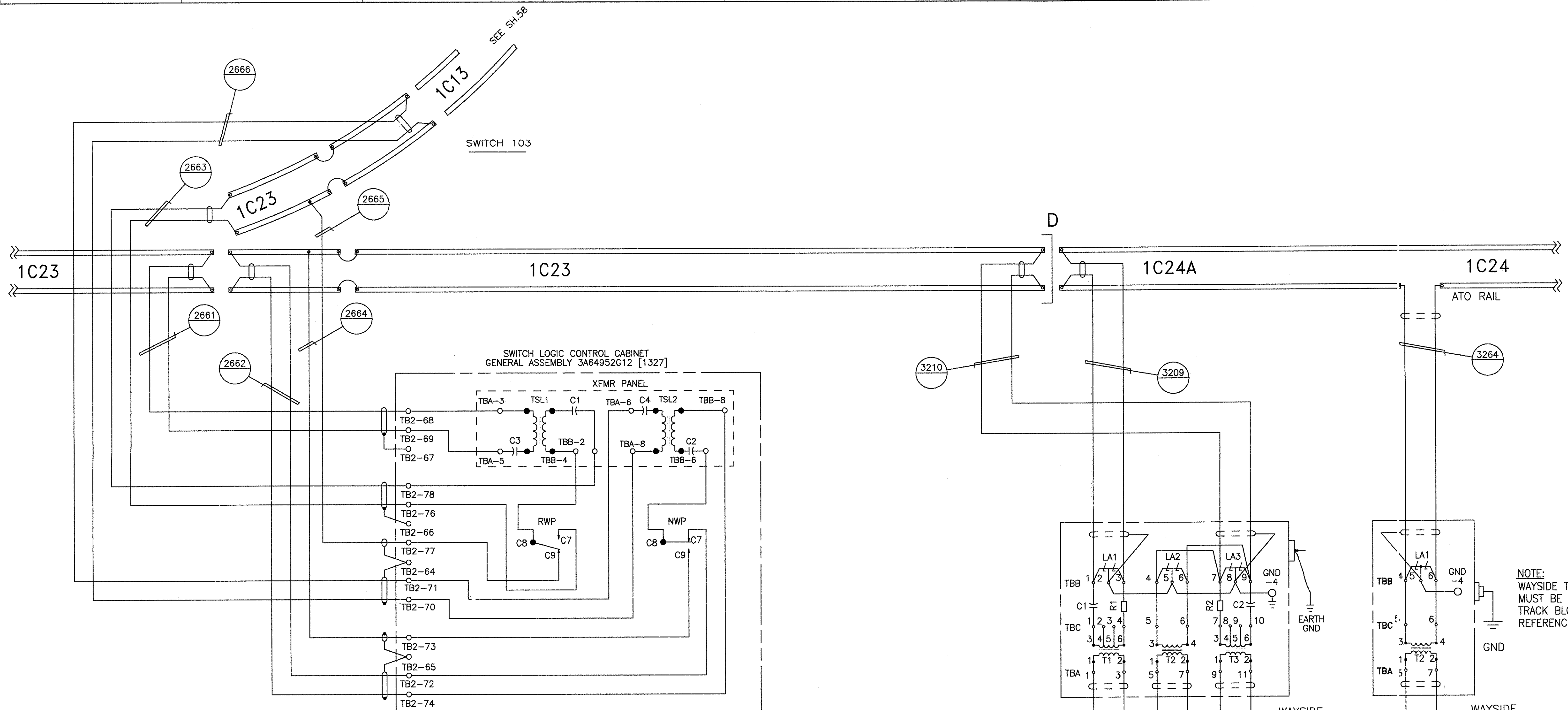
PROPRIETARY INFORMATION - SEE SHEET 1

AutoCAD

GEOMETRIC CHARACTERISTIC SYMBOLS	
FLATNESS	▭
STRAIGHTNESS	—
ROUNDNESS (CIRCULARITY)	○
CYLINDRICITY	∅
PROFILE OF ANY LINE	—
PROFILE OF ANY SURFACE	—
PARALLELISM	∥
PERPENDICULARITY (SQUARENESS)	⊥
ANGULARITY	∠
RUNOUT	↻
TRUE POSITION	⊕
CONCENTRICITY	⊗
SYMMETRY	⊞
MAXIMUM MATERIAL CONDITION (MMC)	Ⓜ
REGARDLESS OF FEATURE SIZE	Ⓜ

DFTM.	R.ANDERSON	DATE	4-11-02
CHKR.			
ENGRG.	R.KORTYNA		
MFG.			
APPD.			
DFTG. SU PV.	J.CARNEVALE		

<b>BOMBARDIER</b>	
TITLE	
HOUSTON PHASE 2	
WAYSIDE SYSTEM SCHEMATIC	
DIMENSIONS IN INCHES	
SIZE	D
DWG. NO.	6D61054
REV.	7
SCALE	NONE
WT.	
SHEET	65



NOTE:  
WAYSIDE TERMINATION BOX (EQUIPMENT NO. 894)  
MUST BE CONNECTED TO THE 'ATO' RAIL IN  
TRACK BLOCK 1C24. CONNECTION SHOWN IS  
REFERENCE ONLY.

MAINTENANCE TRANSMIT/RECEIVE

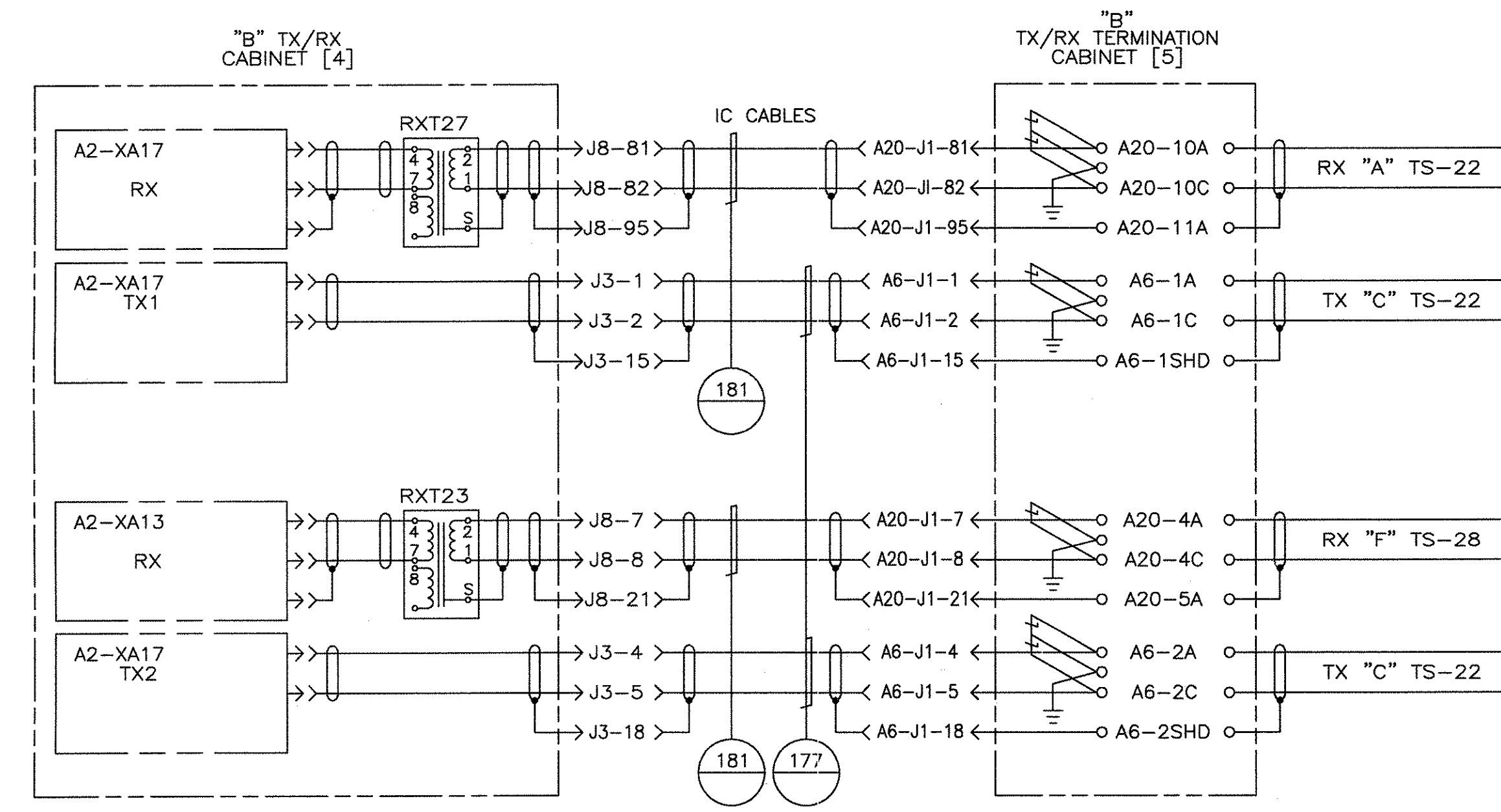
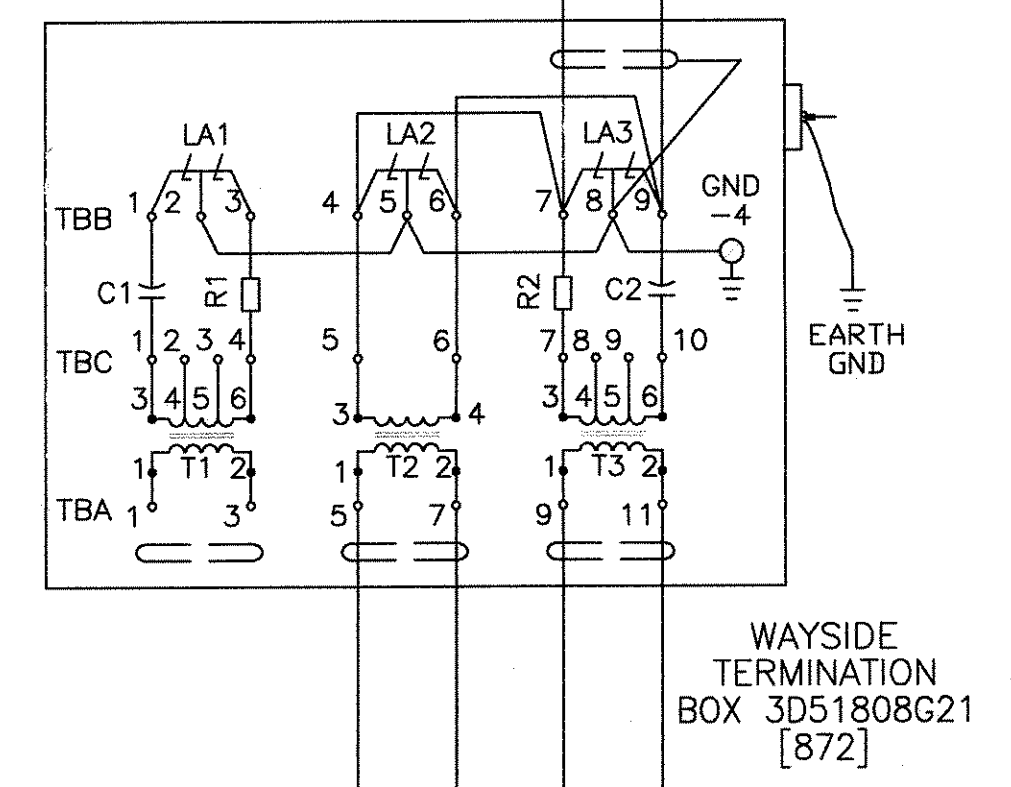
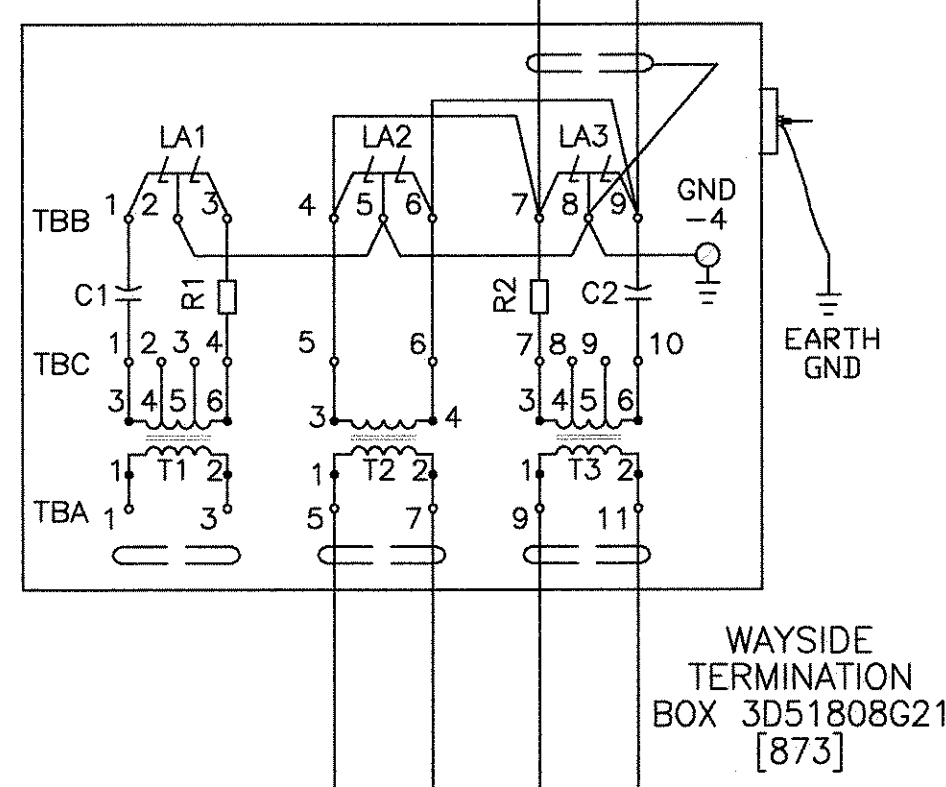
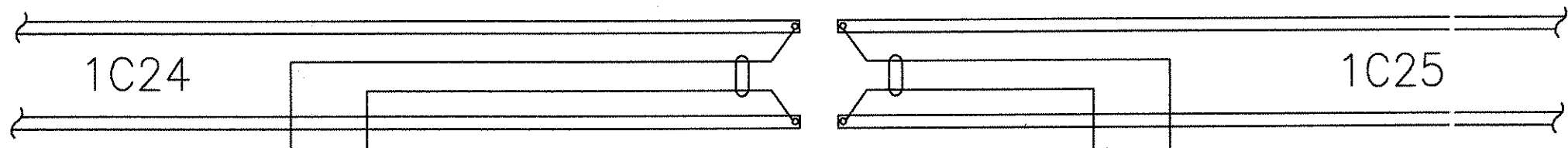
PROPRIETARY INFORMATION - SEE SHEET 1

AutoCAD

GEOMETRIC CHARACTERISTIC SYMBOLS	
FLATNESS	▭
STRAIGHTNESS	—
ROUNDNESS (CIRCULARITY)	○
CYLINDRICITY	∅
PROFILE OF ANY LINE	⌒
PROFILE OF ANY SURFACE	⌒
PARALLELISM	∥
PERPENDICULARITY (SQUARENESS)	⊥
ANGULARITY	∠
RUNOUT	↻
TRUE POSITION	⊕
CONCENTRICITY	⊗
SYMMETRY	⊥
MAXIMUM MATERIAL CONDITION (MMC)	Ⓜ
REGARDLESS OF FEATURE SIZE	Ⓜ

DFTM.	DATE
R. ANDERSON	4-11-02
ENGRG.	
R. KORTYNA	
MFG.	
APPD.	
DFTG. SUPV.	
J. CARNEVALE	

BOMBARDIER	
TITLE HOUSTON PHASE 2	
WAYSIDE SYSTEM SCHEMATIC	
DIMENSIONS IN INCHES	
SIZE D	DWG. NO. 6D61054
SCALE NONE	WT. REV. 7
SHEET 66	

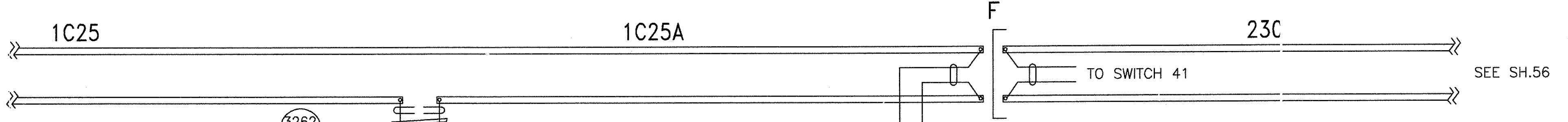


MAINTENANCE TRANSMIT/RECEIVE

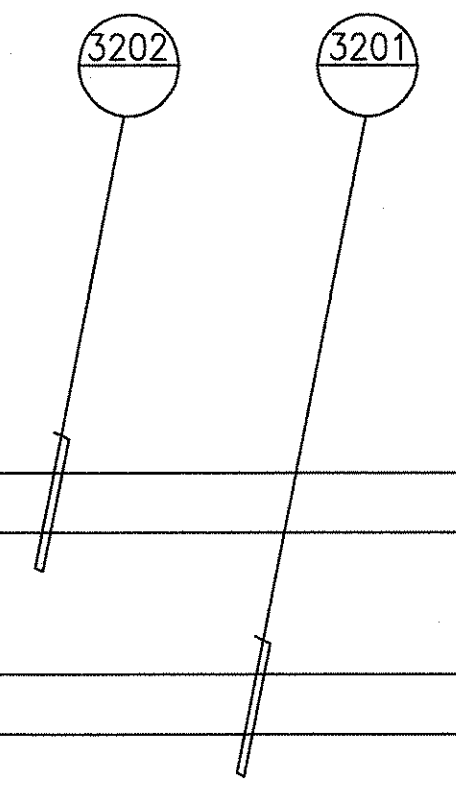
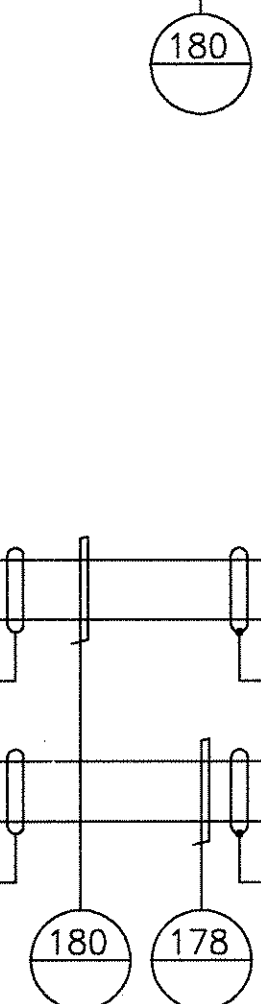
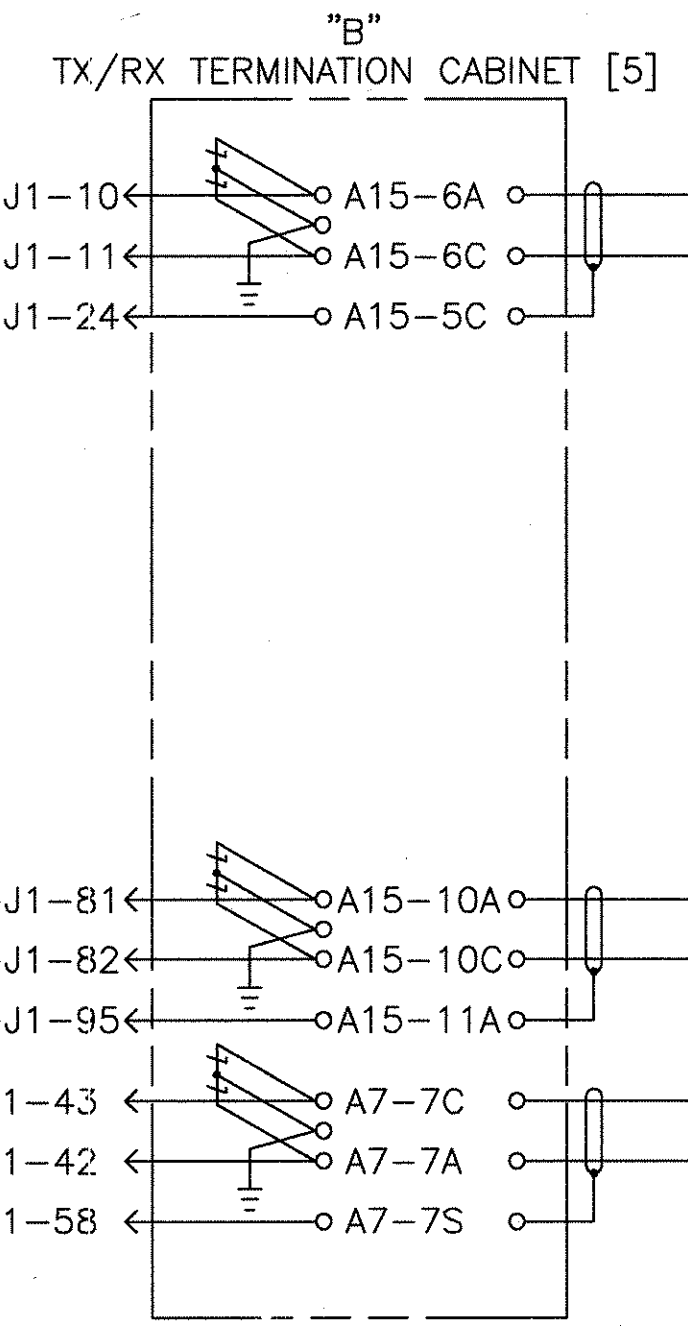
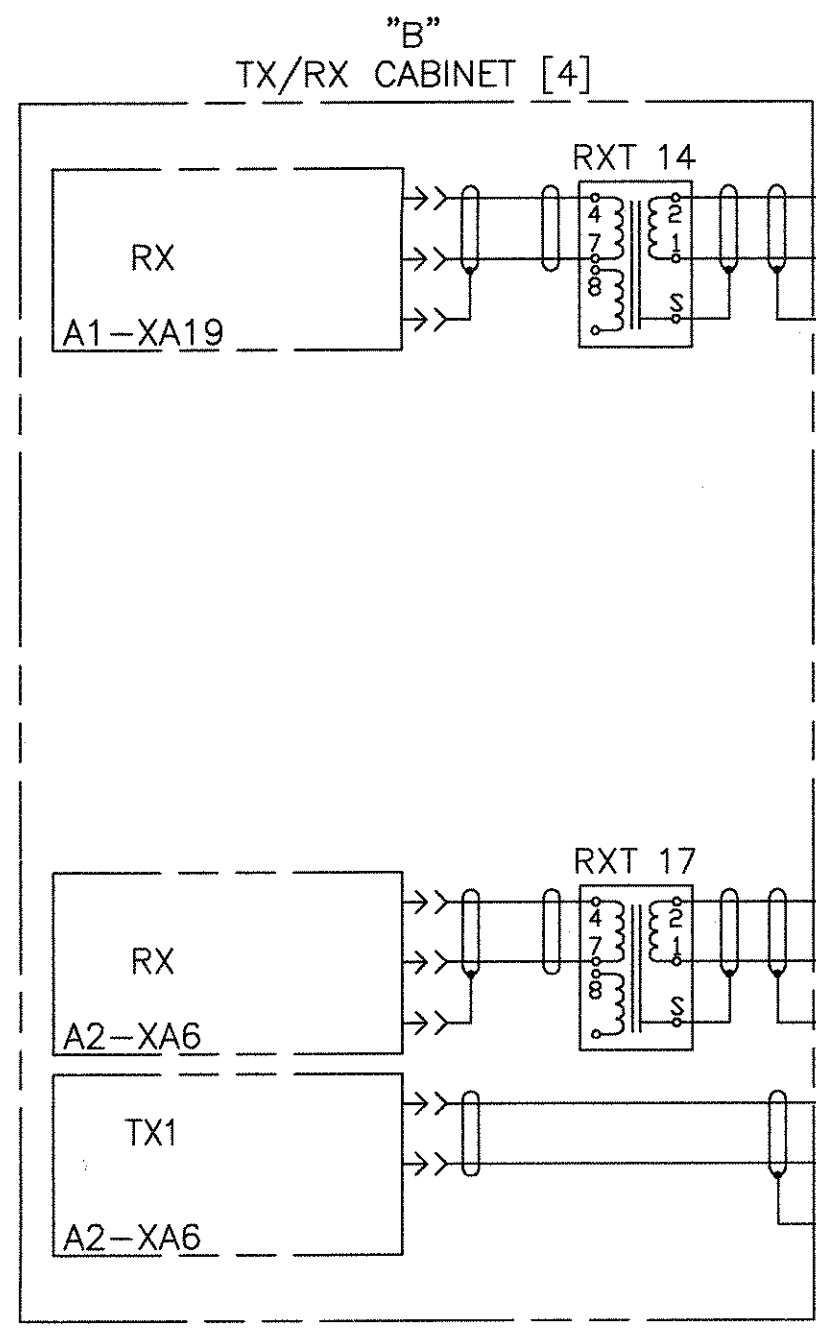
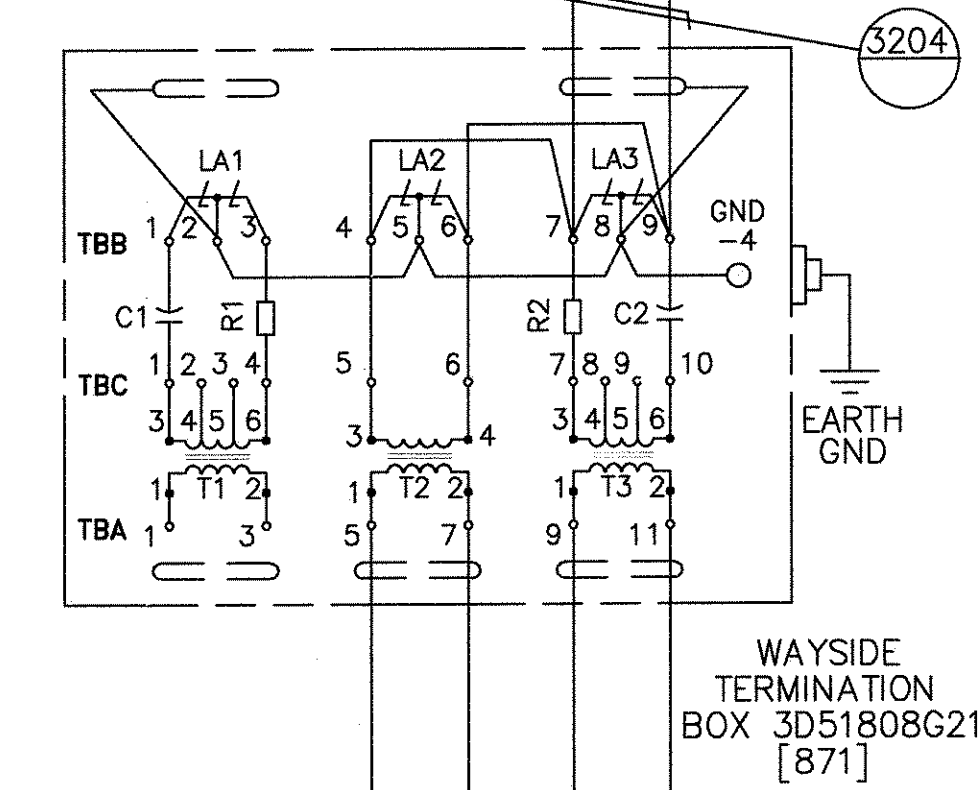
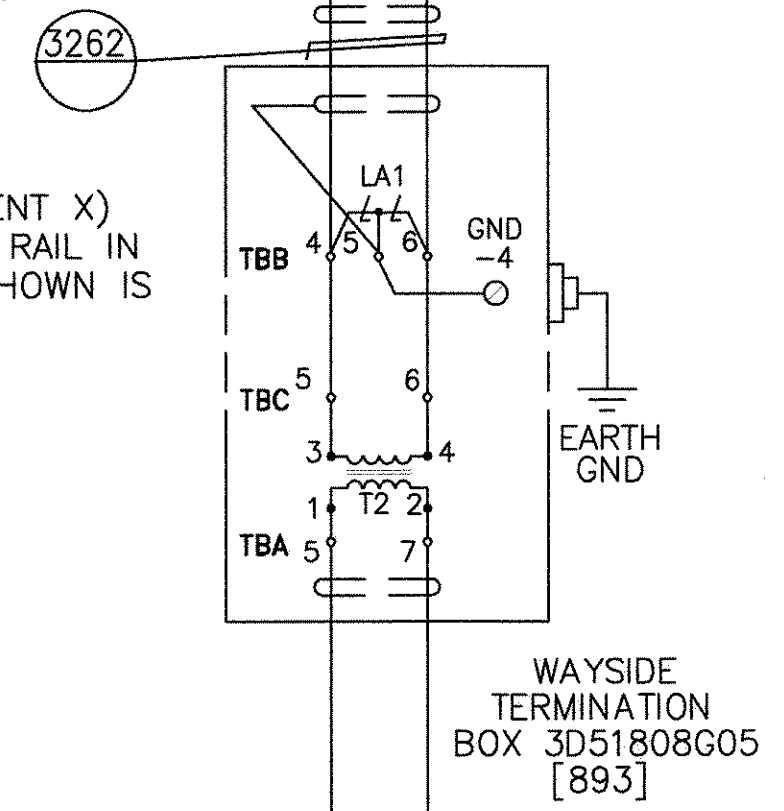
PROPRIETARY INFORMATION - SEE SHEET 1

AutoCAD

<b>GEOMETRIC CHARACTERISTIC SYMBOLS</b> FLATNESS STRAIGHTNESS ROUNDNESS (CIRCULARITY) CYLINDRICITY PROFILE OF ANY LINE PROFILE OF ANY SURFACE PARALLELISM PERPENDICULARITY (SQUARENESS) ANGULARITY RUNOUT TRUE POSITION CONCENTRICITY SYMMETRY MAXIMUM MATERIAL CONDITION (MMC) REGARDLESS OF FEATURE SIZE	DFTM. R.ANDERSON 4-11-02 CHKR.	DATE 4-11-02	<b>BOMBARDIER</b> TITLE HOUSTON PHASE 2 WAYSIDE SYSTEM SCHEMATIC	
	ENGRG. R.KORTYNA MFG.	APPD. DFTG. SU-IV. J.CARNEVALE		DIMENSIONS IN INCHES SIZE D
	SCALE NONE	WT.	SHEET 67	



NOTE:  
WAYSIDE TERMINATION BOX (EQUIPMENT X)  
MUST BE CONNECTED TO THE 'ATO' RAIL IN  
TRACK BLOCK 1C25. CONNECTION SHOWN IS  
REFERENCE ONLY.



MAINTENANCE TRANSMIT/RECEIVE

PROPRIETARY INFORMATION - SEE SHEET 1

AutoCAD

GEOMETRIC CHARACTERISTIC SYMBOLS	
FLATNESS	▭
STRAIGHTNESS	—
ROUNDNESS (CIRCULARITY)	○
CYLINDRICITY	∅
PROFILE OF ANY LINE	—
PROFILE OF ANY SURFACE	—
PARALLELISM	∥
PERPENDICULARITY (SQUARENESS)	⊥
ANGULARITY	∠
RUNOUT	↻
TRUE POSITION	⊕
CENTRICITY	⊙
SYMMETRY	⊞
MAXIMUM MATERIAL CONDITION (MMC)	Ⓜ
REGARDLESS OF FEATURE SIZE	Ⓛ

DFTM.	DATE
R.ANDERSON	4-11-02
ENGRG.	R.KORTYNA
MFG.	
APPD.	
DFTG. SU JV.	J.CARNEVALE

BOMBARDIER	
TITLE HOUSTON PHASE 2 WAYSIDE SYSTEM SCHEMATIC	
DIMENSIONS IN INCHES	DWG. NO. 6D61054
SCALE NONE	WT. SHEET 68
REV. 7	

BLANK SHEET

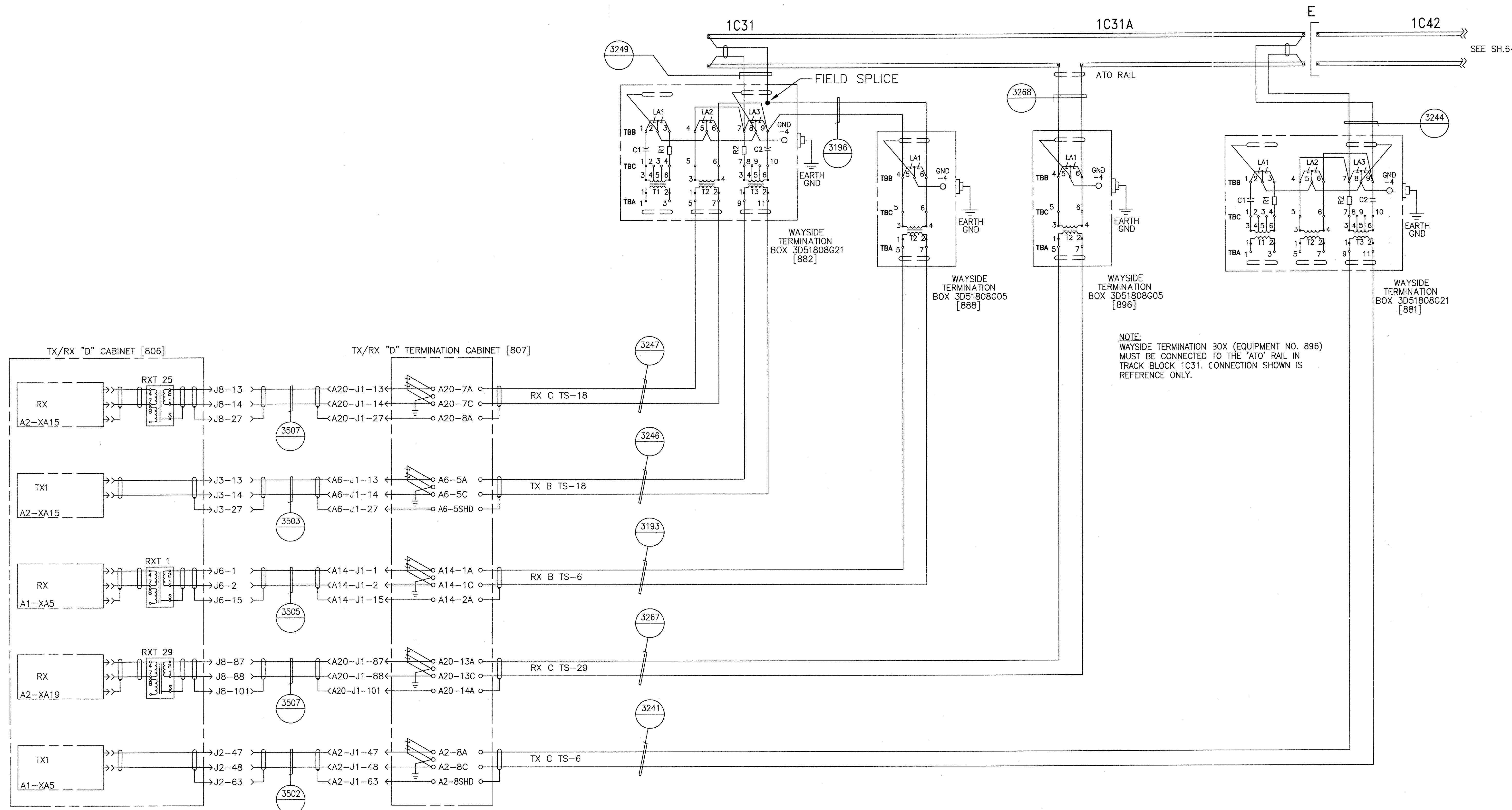
PROPRIETARY INFORMATION - SEE SHEET 1

AutoCAD

GEOMETRIC CHARACTERISTIC SYMBOLS	
FLATNESS	
STRAIGHTNESS	
ROUNDNESS (CIRCULARITY)	
CYLINDRICITY	
PROFILE OF ANY LINE	
PROFILE OF ANY SURFACE	
PARALLELISM	
PERPENDICULARITY (SQUARENESS)	
ANGULARITY	
RUNOUT	
TRUE POSITION	
CONCENTRICITY	
SYMMETRY	
MAXIMUM MATERIAL CONDITION (MMC)	
REGARDLESS OF FEATURE SIZE	

DFTM.	R.ANDERSON 4-11-02	DATE
CHKR.		
ENGRG.	R.KORTYNA	
MFG.		
APPD.		
DFTG. SU IV.	J.CARNEVALE	

<b>BOMBARDIER</b>		
TITLE HOUSTON PHASE 2 WAYSIDE SYSTEM SCHEMATIC		
DIMENSIONS IN INCHES		
SIZE	DWG. NO.	REV.
D	6D61054	7
SCALE NONE	WT.	SHEET 69



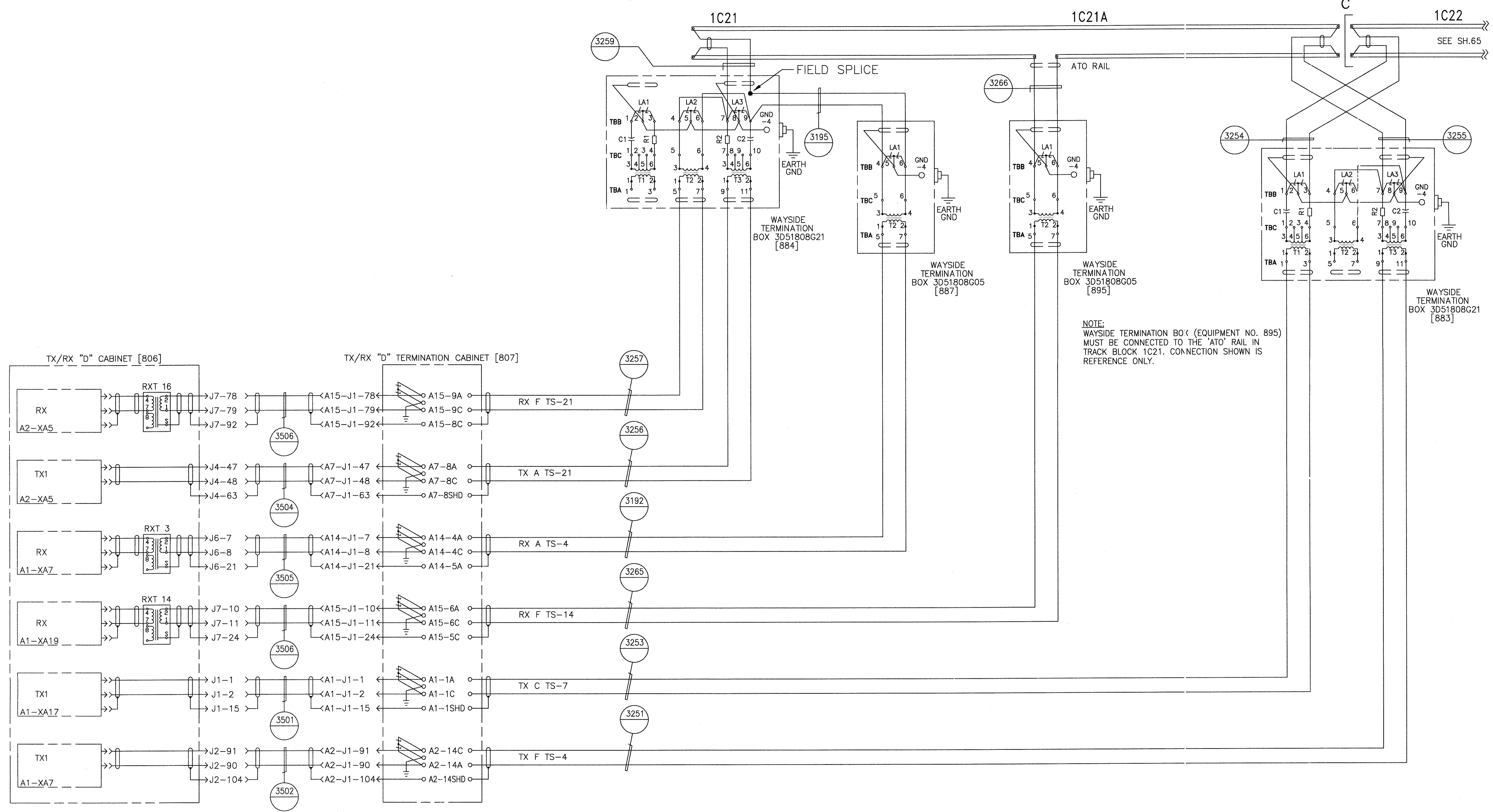
NOTE:  
WAYSIDE TERMINATION 30X (EQUIPMENT NO. 896)  
MUST BE CONNECTED TO THE 'ATO' RAIL IN  
TRACK BLOCK 1C31. CONNECTION SHOWN IS  
REFERENCE ONLY.

MAINTENANCE TRANSMIT/RECEIVE

PROPRIETARY INFORMATION - SEE SHEET 1

AutoCAD

GEOMETRIC CHARACTERISTIC SYMBOLS FLATNESS STRAIGHTNESS ROUNDNESS (CIRCULARITY) CYLINDRICITY PROFILE OF ANY LINE PROFILE OF ANY SURFACE PARALLELISM PERPENDICULARITY (SQUARENESS) ANGULARITY RUNOUT TRUE POSITION CONCENTRICITY SYMMETRY MAXIMUM MATERIAL CONDITION (MMC) REGARDLESS OF FEATURE SIZE	DFTM. R.ANDERSON 4-11-02 CHRR.	DATE 4-11-02	<b>BOMBARDIER</b>  TITLE HOUSTON PHASE 2 WAYSIDE SYSTEM SCHEMATIC	
	ENGRG. R.KORTYNA MFG.	APPD.		DIMENSIONS IN INCHES SIZE D
SCALE NONE		WT.	SHEET 70	



MAINTENANCE TRANSMIT/RECEIVE

PROPRIETARY INFORMATION - SEE SHEET 1

AutoCAD

<b>GEOMETRIC CHARACTERISTIC SYMBOLS</b> FLATNESS STRAIGHTNESS ROUNDNESS (CIRCULARITY) CYLINDRICITY PROFILE OF ANY LINE PROFILE OF ANY SURFACE PARALLELISM PERPENDICULARITY (SQUARENESS) ANGULARITY RUNOUT TRUE POSITION CONCENTRICITY SYMMETRY MAXIMUM MATERIAL CONDITION (MMC) REGARDLESS OF FEATURE SIZE		DFTM. R.ANDERSON 4-11-02 CHKR. ENGRG. R.KORTYNA MFG. APPD. DFTG. SU.V. J.CARNEVALE	DATE HOUSTON PHASE 2 WAYSIDE SYSTEM SCHEMATIC DIMENSIONS IN INCHES DWG. NO. 6D61054 REV. 7
BOMBARDIER		SCALE NONE   WT.	SHEET 71

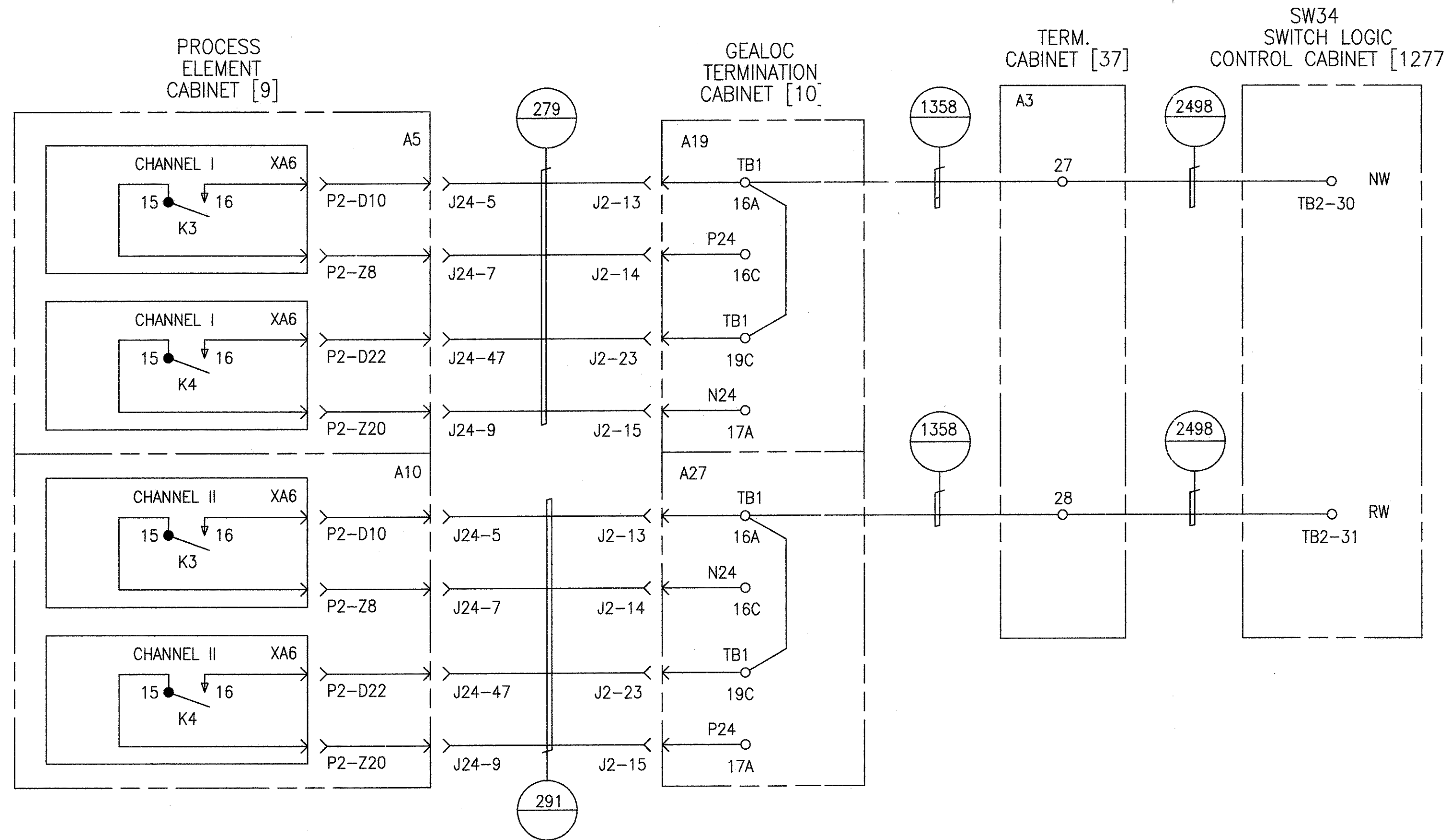
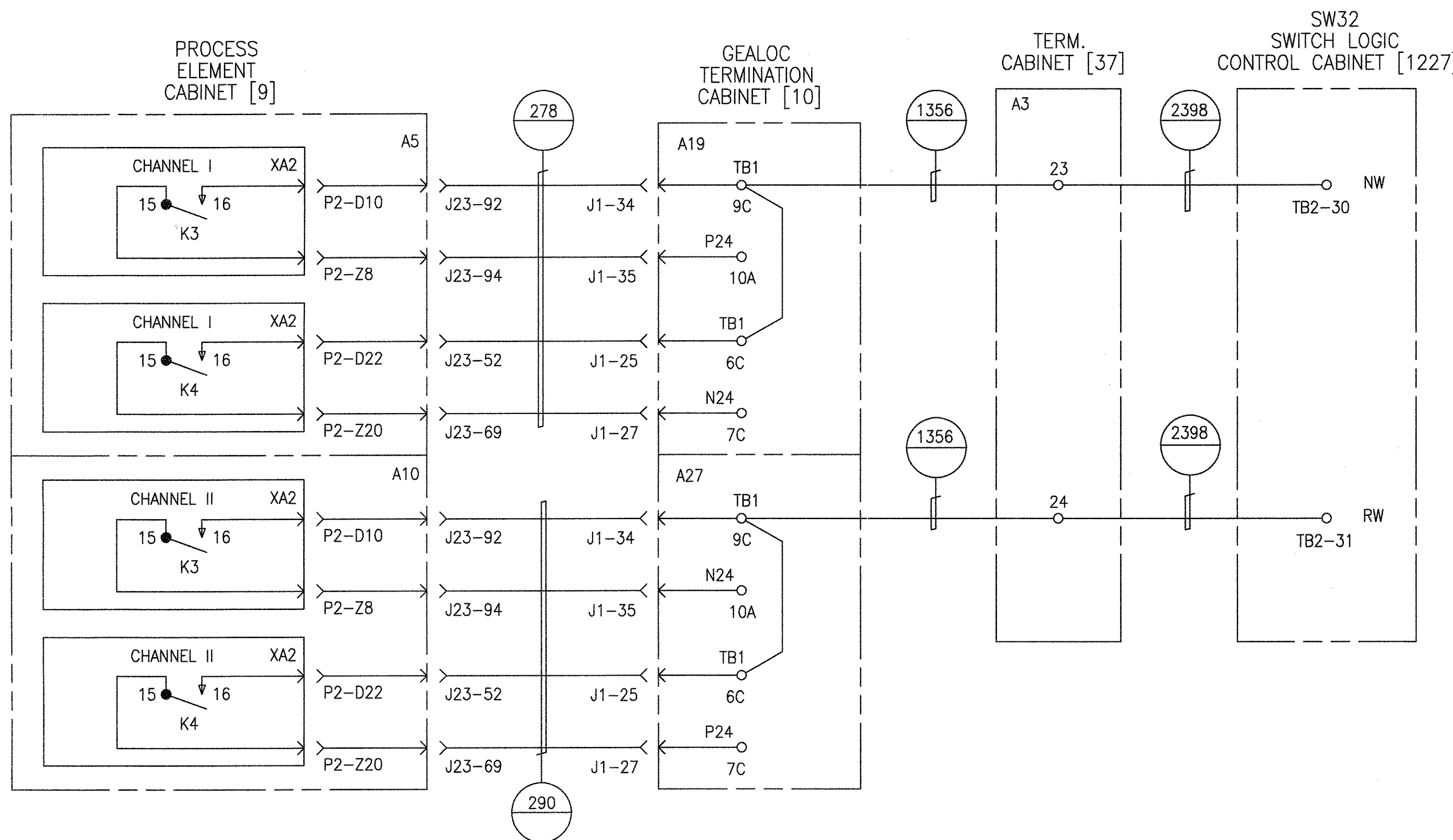
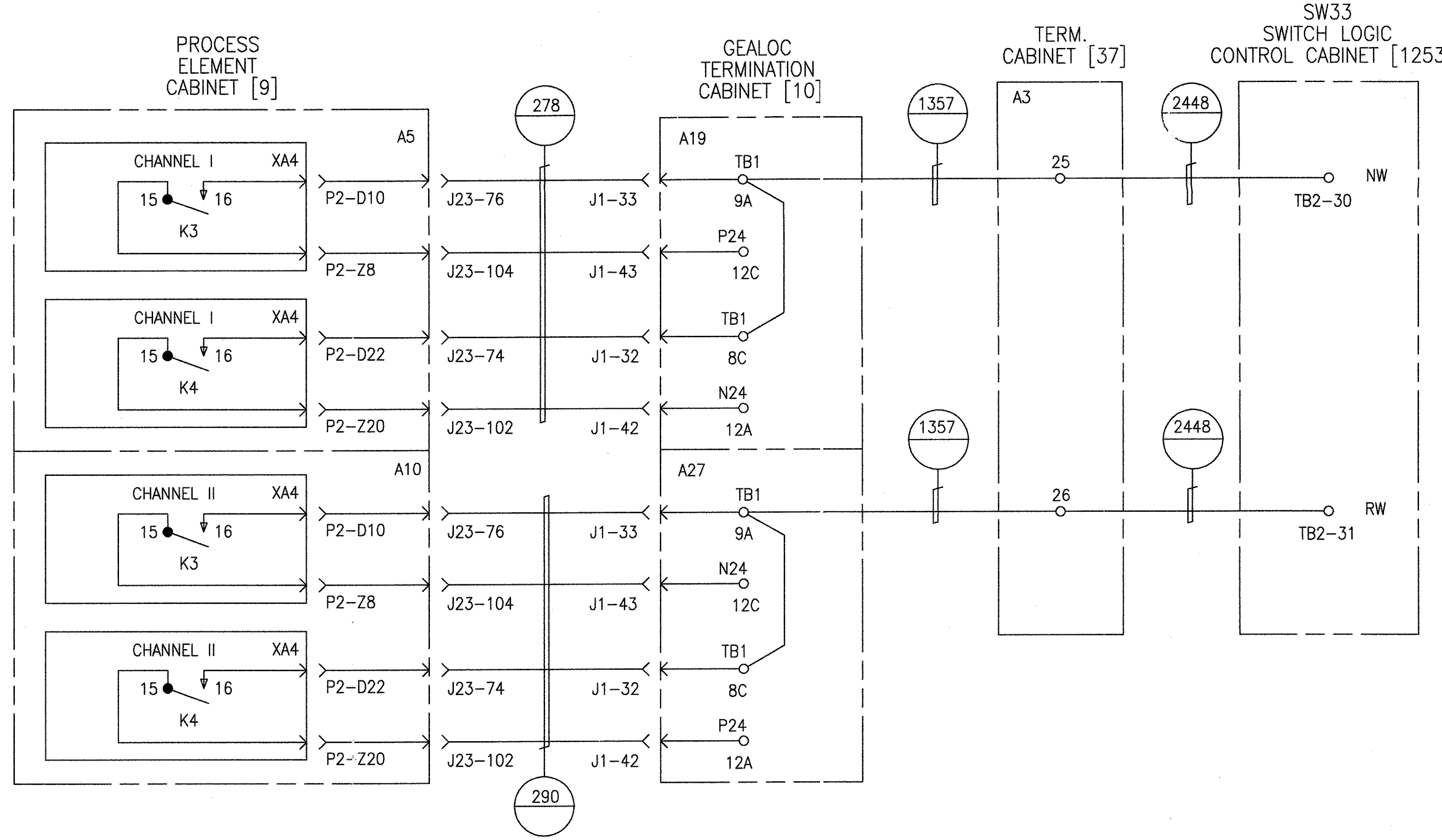
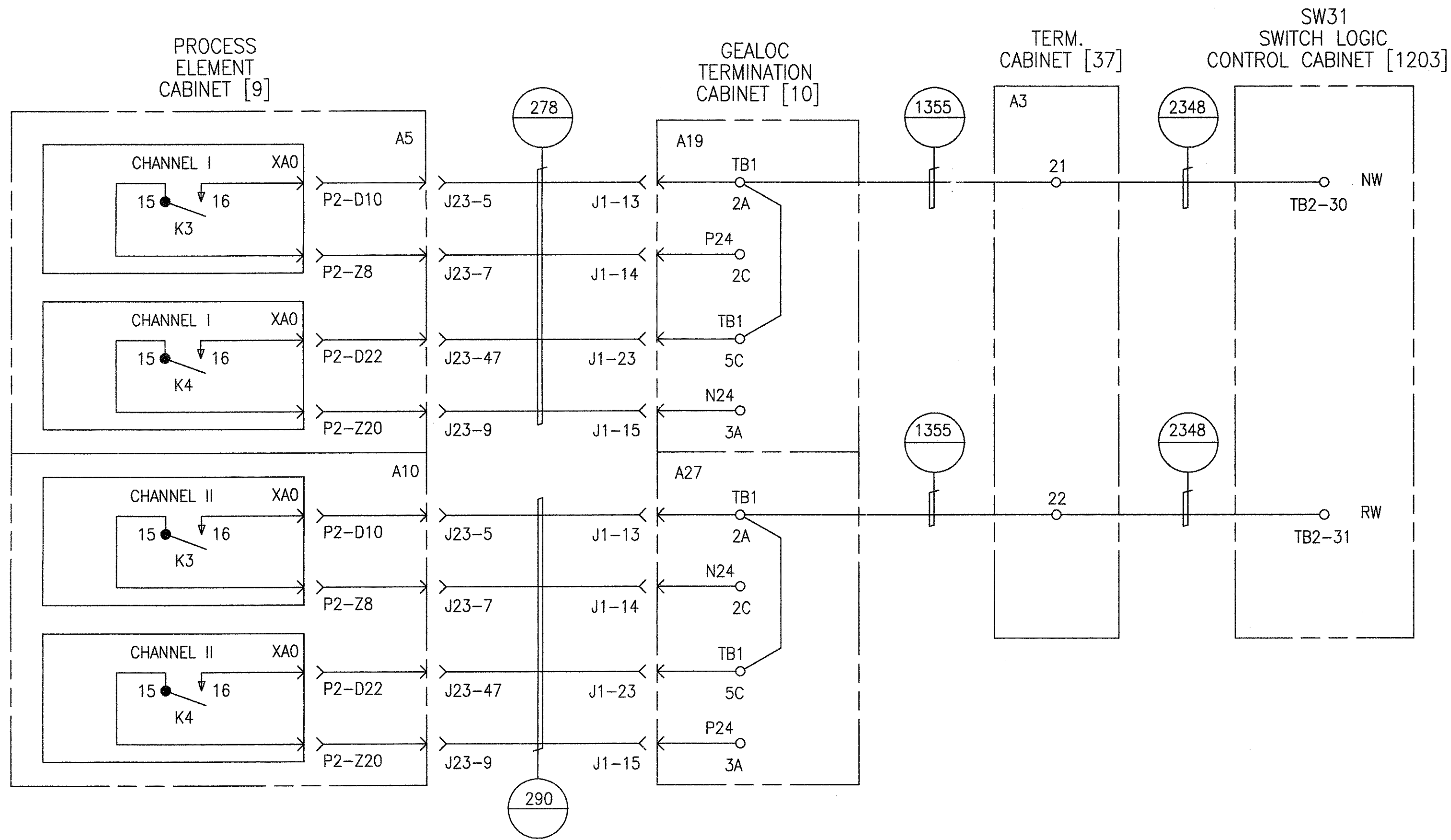


BLANK SHEET

PROPRIETARY INFORMATION - SEE SHEET 1

AutoCAD

<b>GEOMETRIC CHARACTERISTIC SYMBOLS</b>		<b>DFTM.</b>	<b>DATE</b>	<b>BOMBARDIER</b>	
FLATNESS		R.ANDERSON 4-11-02			
STRAIGHTNESS		<b>CHKR.</b>		<b>TITLE</b>	
ROUNDNESS (CIRCULARITY)				HOUSTON PHASE 2	
CYLINDRICITY		<b>ENGRG.</b>		WAYSIDE SYSTEM SCHEMATIC	
PROFILE OF ANY LINE		R.KORTYNA		<b>DIMENSIONS IN INCHES</b>	
PROFILE OF ANY SURFACE		<b>MFG.</b>		SIZE	DWG. NO.
PARALLELISM				D	6D61054
PERPENDICULARITY (SQUARENESS)		<b>APPD.</b>		SCALE	WT.
ANGULARITY				NONE	
RUNOUT		<b>DFTG. SU-V.</b>		SHEET	72
TRUE POSITION		J.CARNEVALE			
CONCENTRICITY					
SYMMETRY					
MAXIMUM MATERIAL CONDITION (MMC)					
REGARDLESS OF FEATURE SIZE					

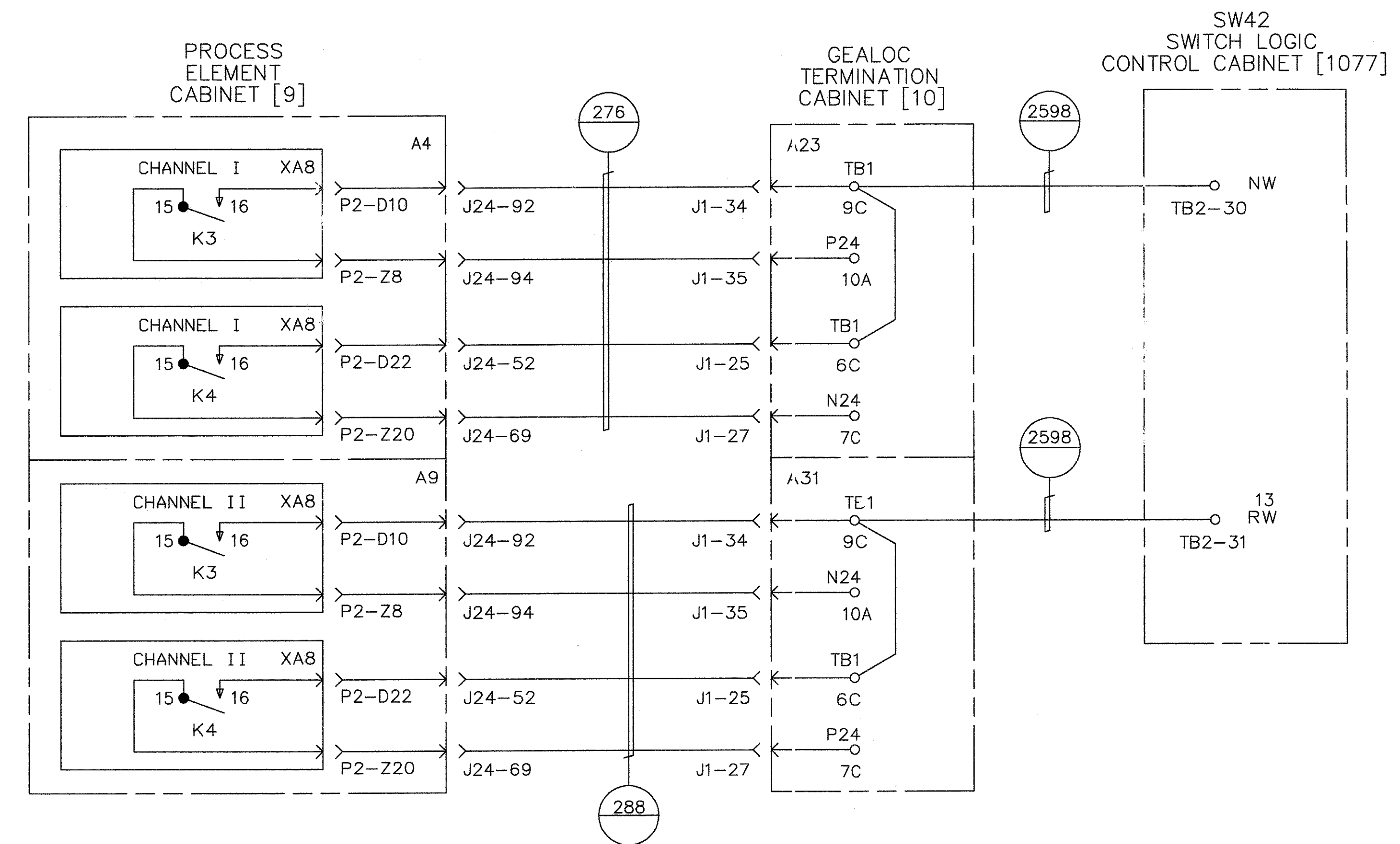
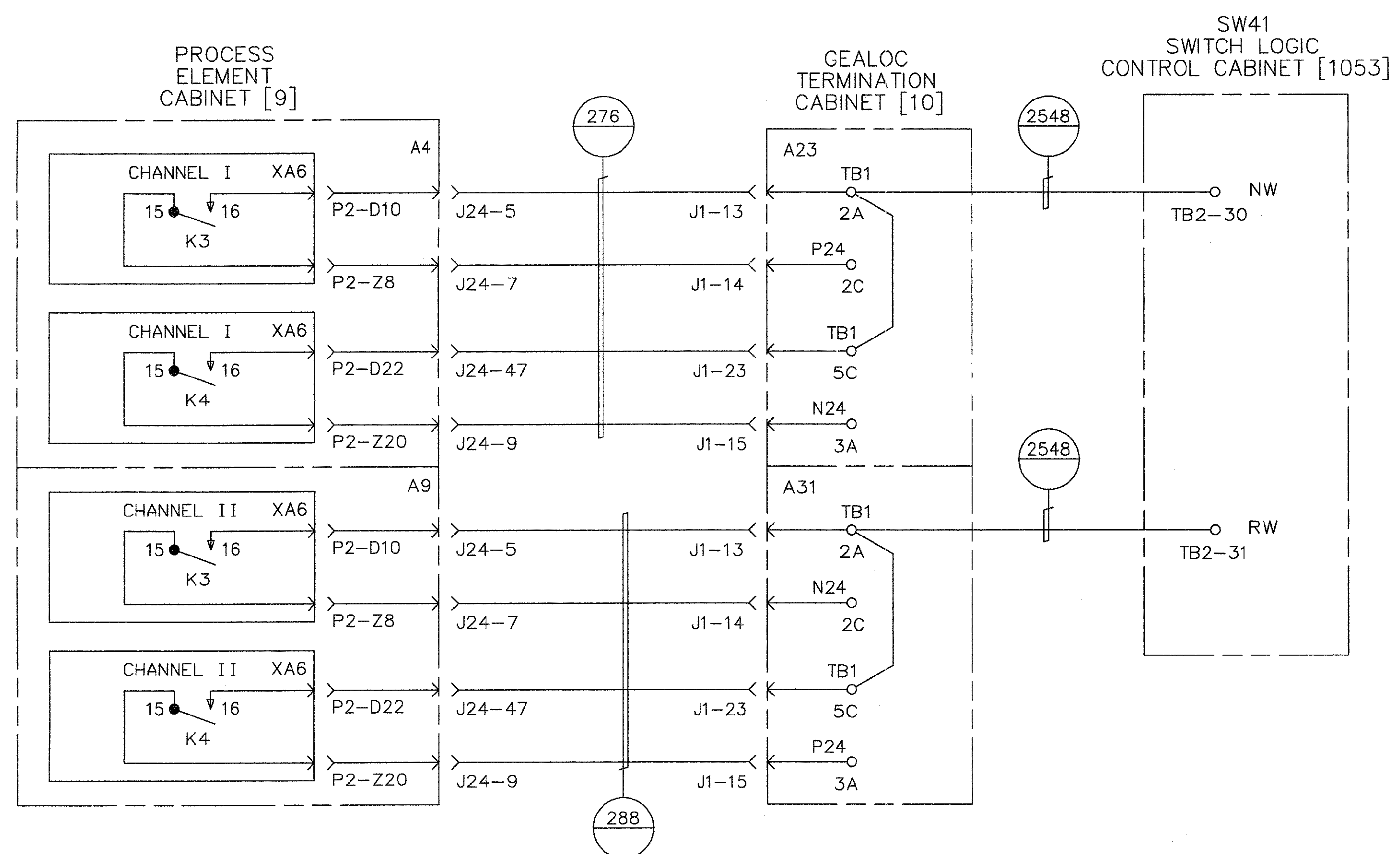


X03  
SWITCH GEALOC OUTPUTS  
SW31, 32, 33, 34

PROPRIETARY INFORMATION - SEE SHEET 1

AutoCAD

<b>GEOMETRIC CHARACTERISTIC SYMBOLS</b> FLATNESS STRAIGHTNESS ROUNDNESS (CIRCULARITY) CYLINDRICITY PROFILE OF ANY LINE PROFILE OF ANY SURFACE PARALLELISM PERPENDICULARITY (SQUARENESS) ANGULARITY RUNOUT TRUE POSITION CONCENTRICITY SYMMETRY MAXIMUM MATERIAL CONDITION (MMC) REGARDLESS OF FEATURE SIZE	DFTM. R.ANDERSON 4-11-02	DATE 4-11-02	<b>BOMBARDIER</b> TITLE HOUSTON PHASE 2 WAYSIDE SYSTEM SCHEMATIC
	ENGRG. R.KORTYNA	MFG.	
APPD. DFTG. SU-V. J.CARNEVALE	DWG. NO. 6D61054	REV. 7	SHEET 73



**X04 SWITCH GEALOC OUTPUTS SW41-42**

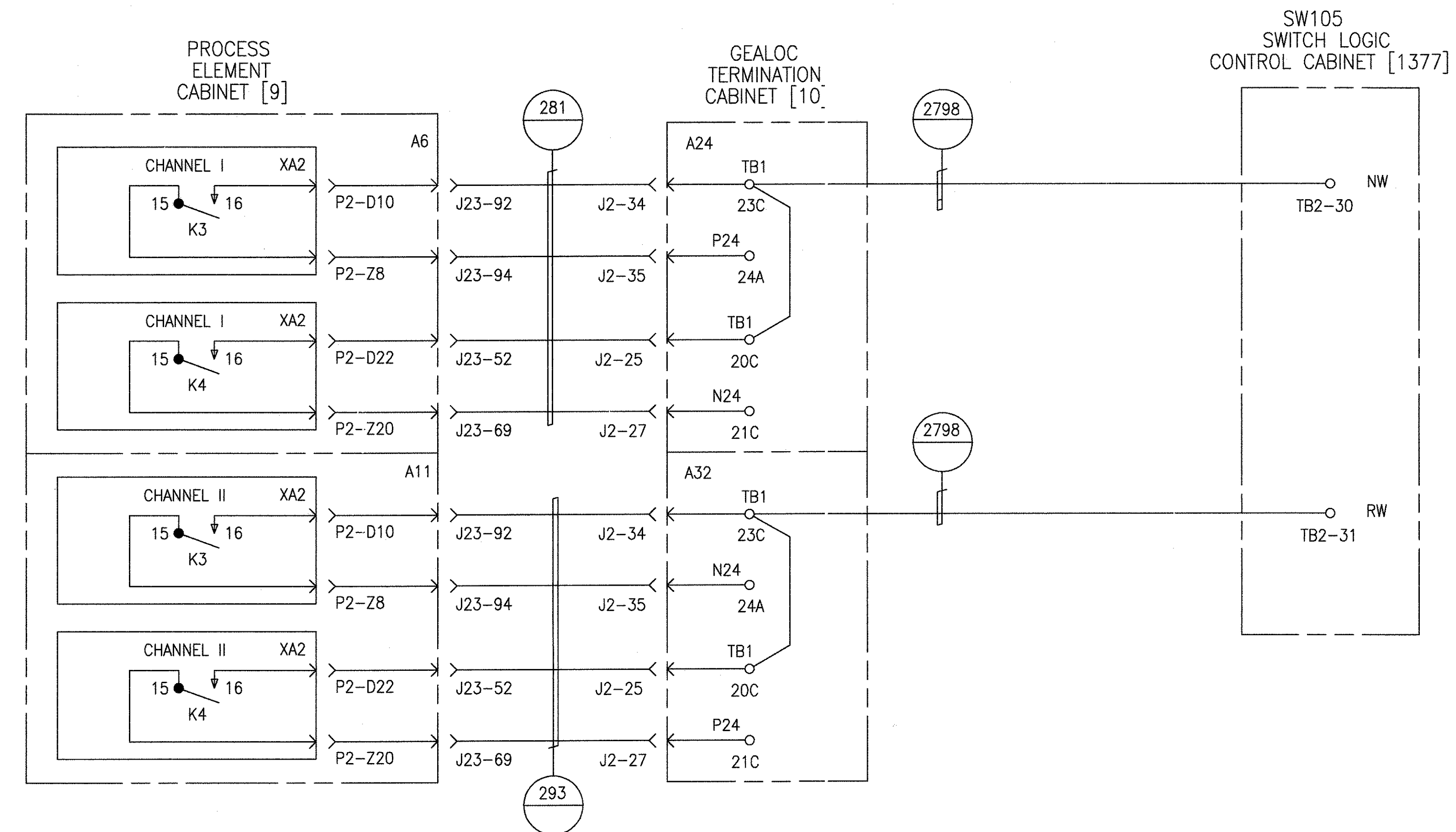
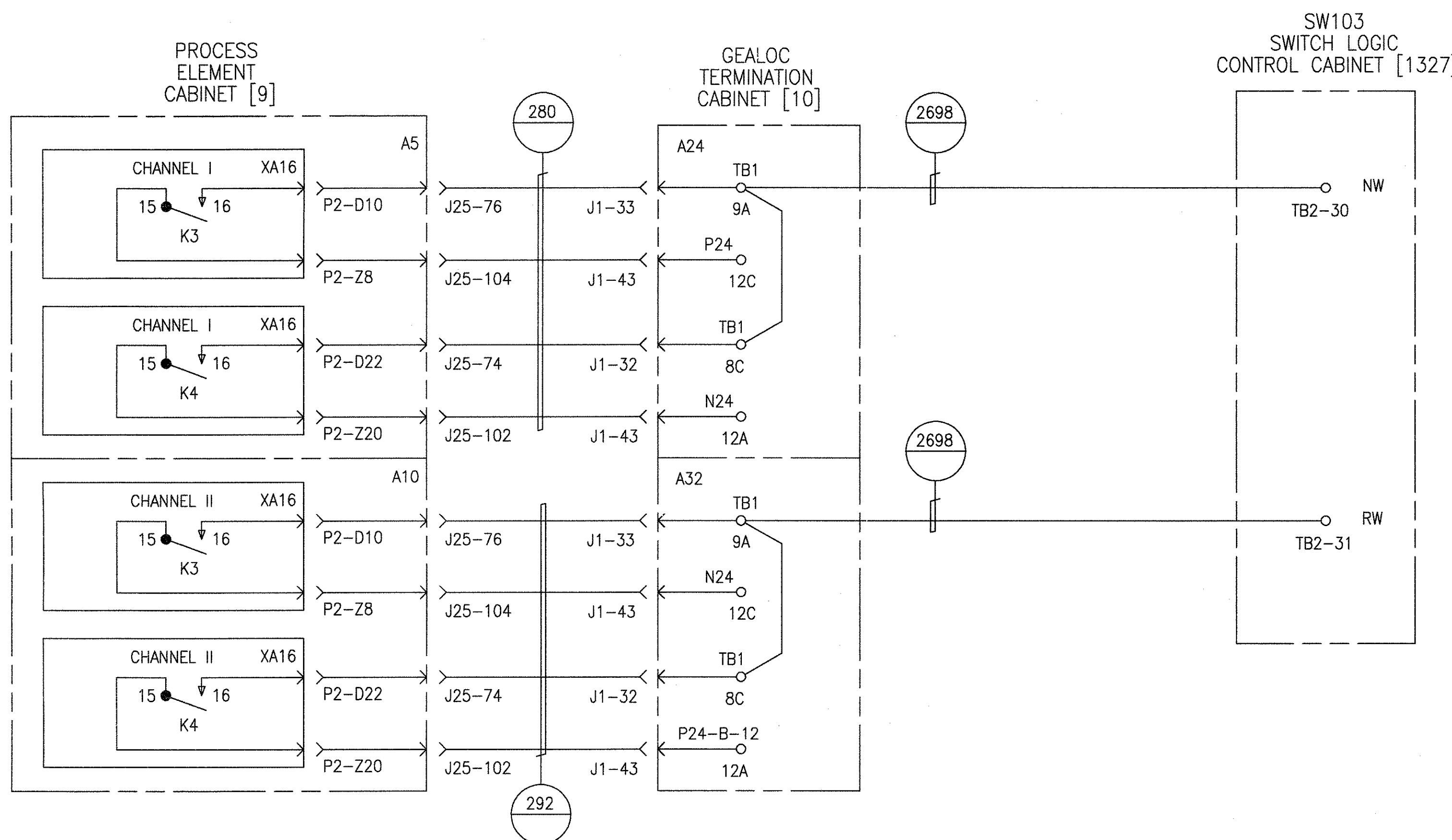
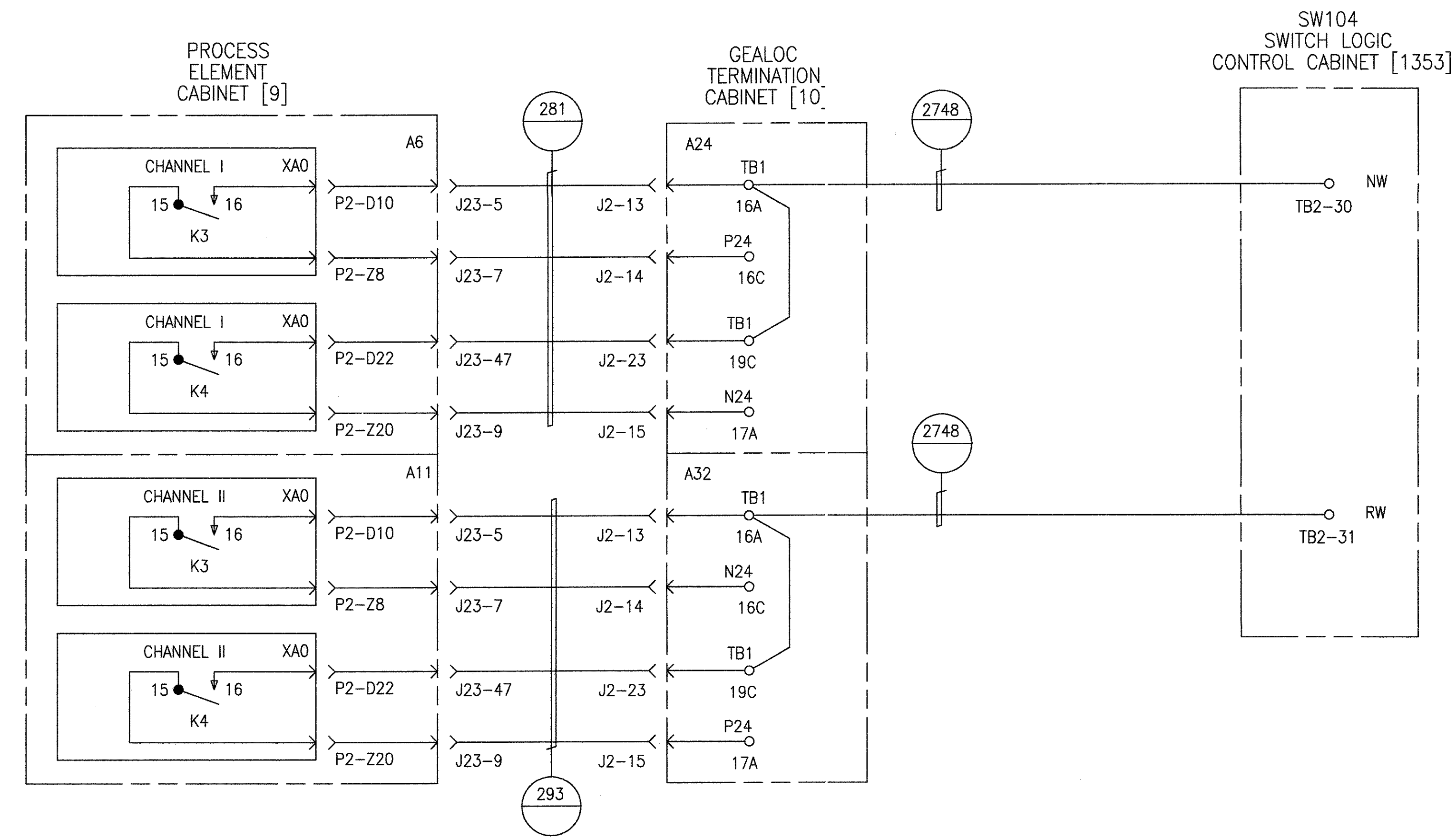
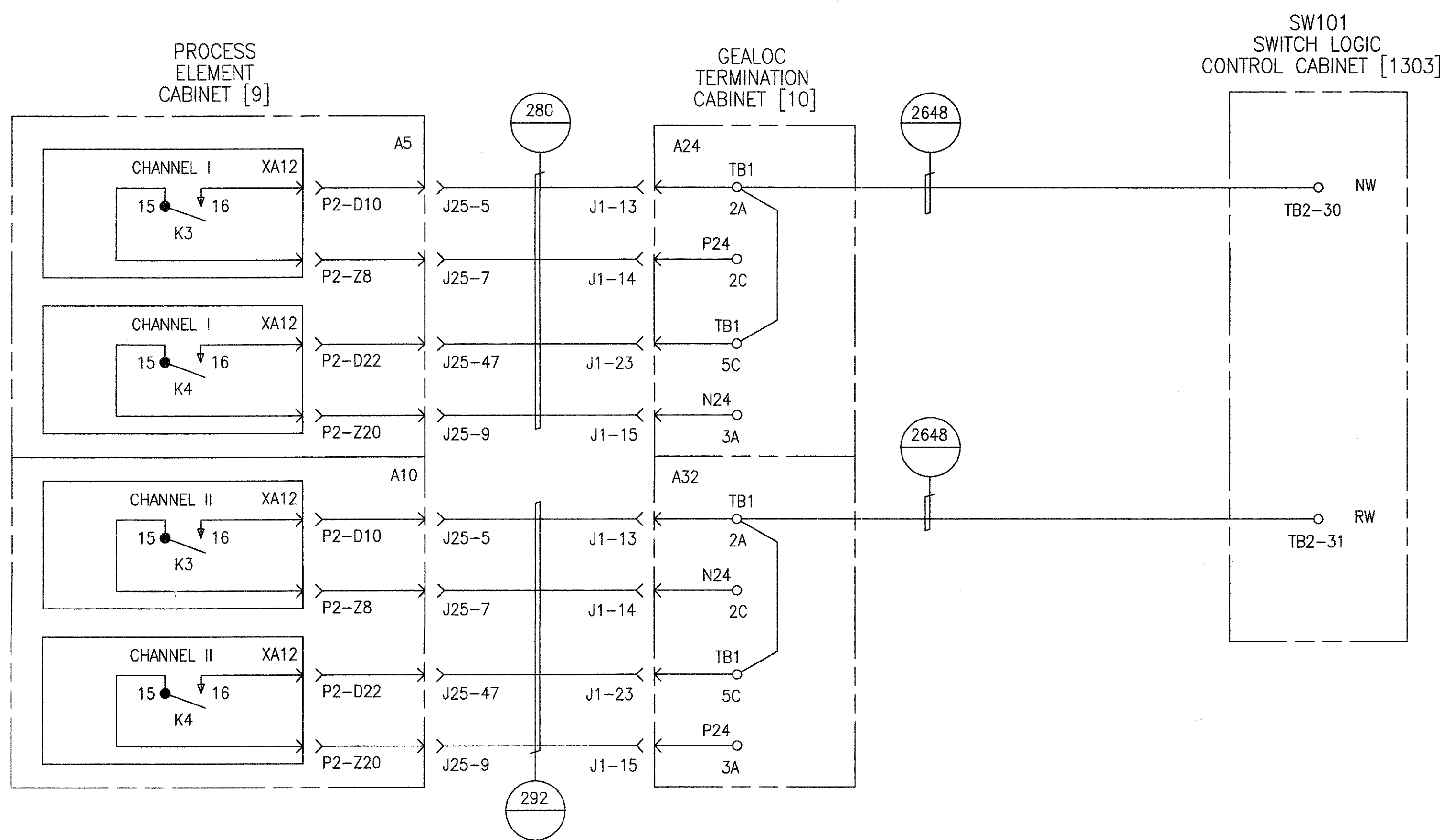
PROPRIETARY INFORMATION - SEE SHEET 1

AutoCAD

GEOMETRIC CHARACTERISTIC SYMBOLS	
FLATNESS	▭
STRAIGHTNESS	—
ROUNDNESS (CIRCULARITY)	○
CYLINDRICITY	∅
PROFILE OF ANY LINE	∩
PROFILE OF ANY SURFACE	∩
PARALLELISM	∥
PERPENDICULARITY (SQUARENESS)	⊥
ANGULARITY	∠
RUNOUT	↻
TRUE POSITION	⊕
CONCENTRICITY	⊙
SYMMETRY	≡
MAXIMUM MATERIAL CONDITION (MMC)	Ⓜ
REGARDLESS OF FEATURE SIZE	Ⓛ

DFTM. DATE	
R.ANDERSON	4-11-02
CHKR.	
ENGRG.	
R.KORTYNA	
MFG.	
APPD.	
DFTG. SU-IV.	
J.CARNEVALE	

BOMBARDIER			
TITLE			
HOUSTON PHASE 2			
WAYSIDE SYSTEM SCHEMATIC			
DIMENSIONS IN INCHES			
SIZE	DWG. NO.	REV.	
D	6D61054	7	
SCALE	NONE	WT.	
		SHEET	74

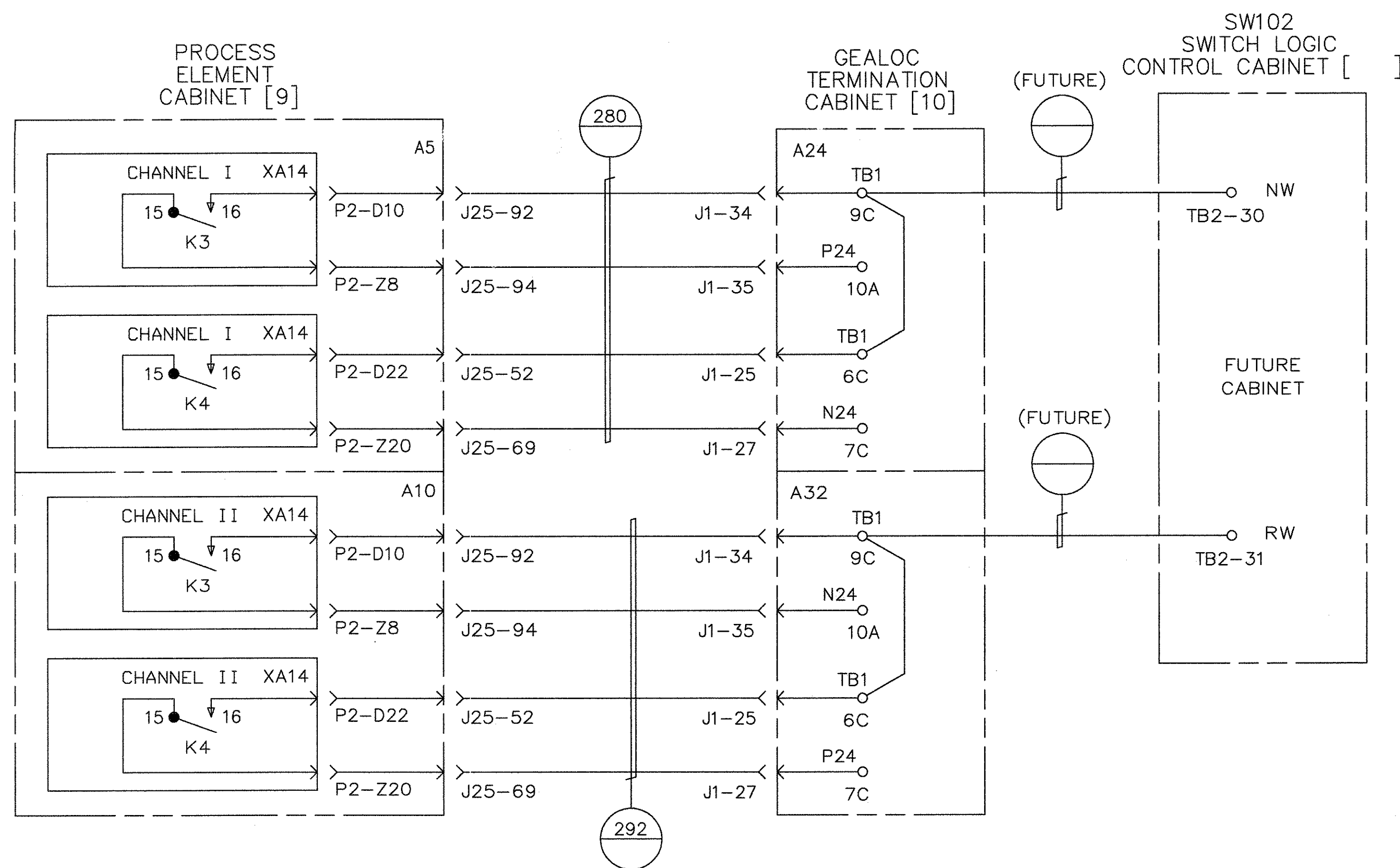


X10 SWITCH GEALOC OUTPUTS SW101, 103, 104, 105

PROPRIETARY INFORMATION - SEE SHEET 1

AutoCAD

GEOMETRIC CHARACTERISTIC SYMBOLS		DFTM.	DATE	BOMBARDIER
FLATNESS		R.ANDERSON	4-11-02	
STRAIGHTNESS		CHKR.		TITLE
ROUNDNESS (CIRCULARITY)		ENGRG.		HGUSTON PHASE 2
CYLINDRICITY		MFG.		WAYSIDE SYSTEM SCHEMATIC
PROFILE OF ANY LINE		APPD.		DIMENSIONS IN INCHES
PROFILE OF ANY SURFACE		DFTG. SU IV.		SIZE D
PARALLELISM		J.CARNEVALE		DWG. NO. 6D61054
PERPENDICULARITY (SQUARENESS)				REV. 7
ANGULARITY				SCALE NONE
RUNOUT				WT.
TRUE POSITION				SHEET 75
CONCENTRICITY				
SYMMETRY				
MAXIMUM MATERIAL CONDITION (MMC)				
REGARDLESS OF FEATURE SIZE				



FUTURE X10  
SWITCH GEALOC OUTPUTS  
SW102

GEOMETRIC CHARACTERISTIC SYMBOLS	
FLATNESS	▧
STRAIGHTNESS	—
ROUNDNESS (CIRCULARITY)	○
CYLINDRICITY	⊘
PROFILE OF ANY LINE	⌒
PROFILE OF ANY SURFACE	⌒
PARALLELISM	∥
PERPENDICULARITY (SQUARENESS)	⊥
ANGULARITY	∠
RUNOUT	↻
TRUE POSITION	⊕
CONCENTRICITY	⊙
SYMMETRY	⊞
MAXIMUM MATERIAL CONDITION (MMC)	Ⓜ
REGARDLESS OF FEATURE SIZE	Ⓜ

DFTM.	DATE
R.ANDERSON	4-11-02
ENGRG.	
R.KORTYNA	
MFG.	
APPD.	
DFTG. SU-V.	
J.CARNEVALE	

BOMBARDIER	
TITLE HOUSTON PHASE 2	
WAYSIDE SYSTEM SCHEMATIC	
DIMENSIONS IN INCHES	
SIZE D	DWG. NO. 6D61054
SCALE NONE	WT. SHEET 76
REV. 7	

PROPRIETARY INFORMATION - SEE SHEET 1

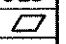

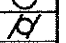
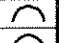
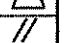

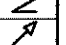



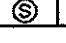


AutoCAD

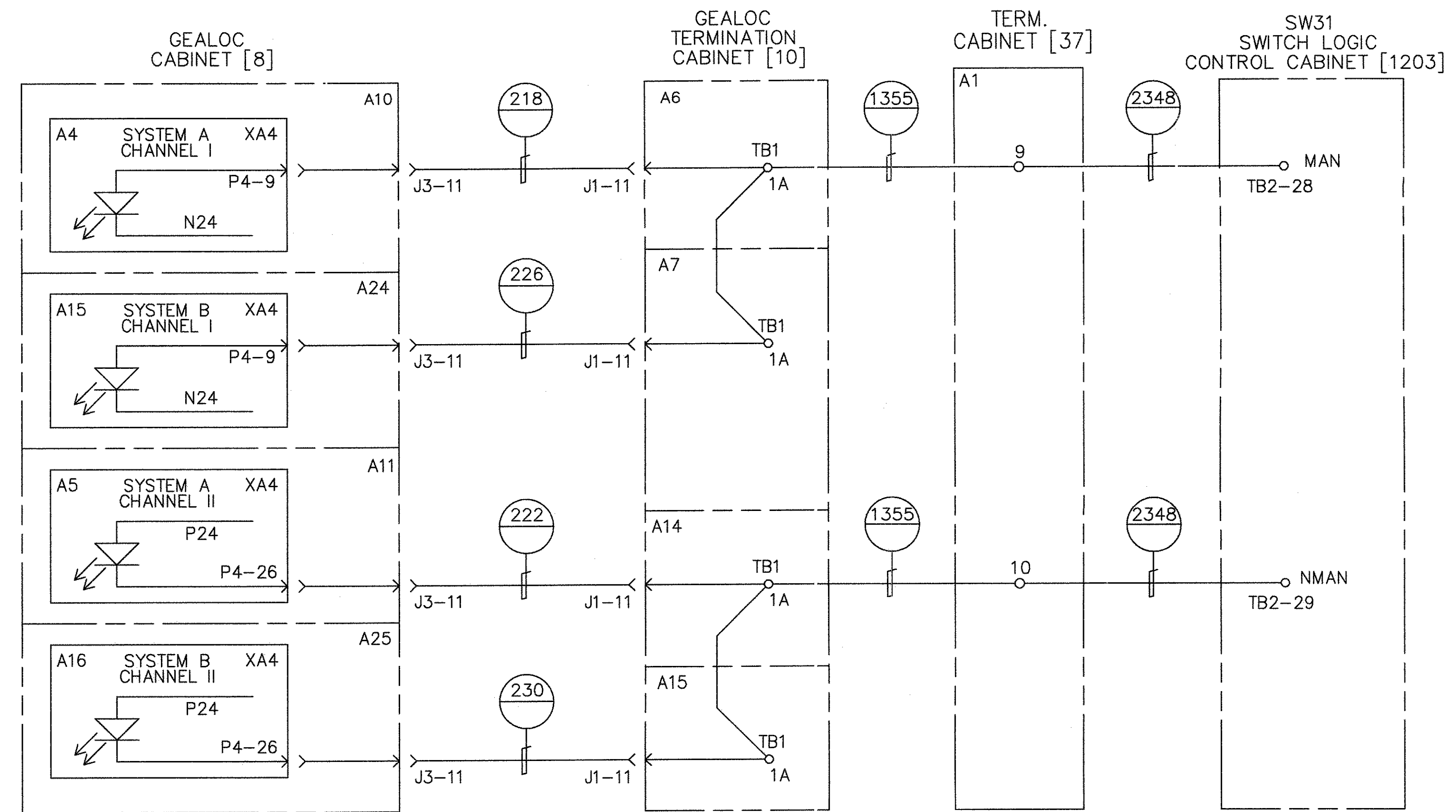
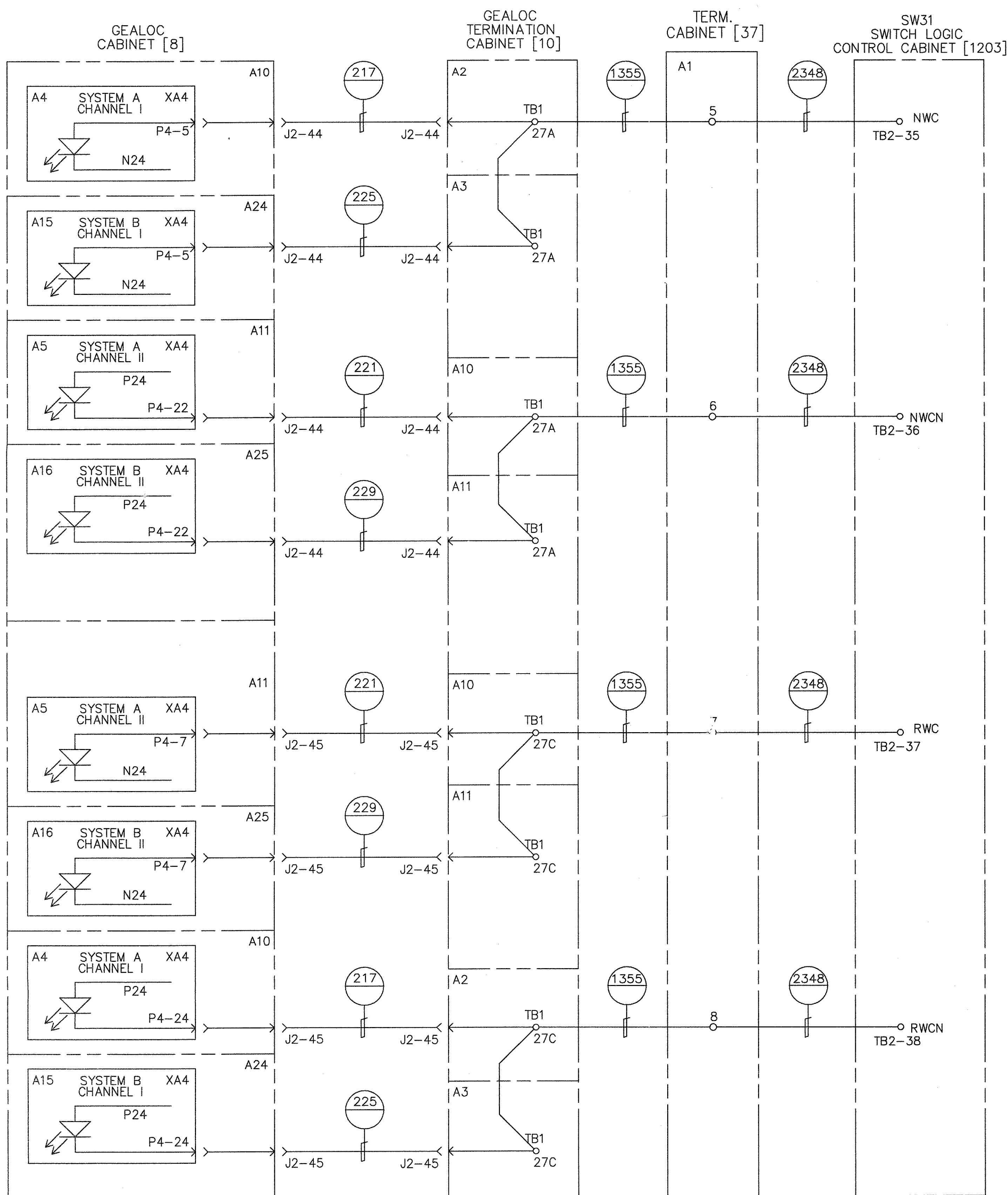


BLANK SHEET

PROPRIETARY INFORMATION - SEE SHEET 1

AutoCAD

<b>GEOMETRIC CHARACTERISTIC SYMBOLS</b> FLATNESS  STRAIGHTNESS  ROUNDNESS (CIRCULARITY)  CYLINDRICITY  PROFILE OF ANY LINE  PROFILE OF ANY SURFACE  PARALLELISM  PERPENDICULARITY (SQUARENESS)  ANGULARITY  RUNOUT  TRUE POSITION  CONCENTRICITY  SYMMETRY  MAXIMUM MATERIAL CONDITION (MMC)  REGARDLESS OF FEATURE SIZE		DFTM. DATE R.ANDERSON 4-11-02 CHKR. ENGRG. R.KORTYNA MFG. APPD. DFTG. SU-IV. J.CARNEVALE JAH	<b>BOMBARDIER</b> TITLE HOUSTON PHASE 2 WAYSIDE SYSTEM SCHEMATIC DIMENSIONS IN INCHES SIZE D DWG. NO. 6D61054 REV. 7 SCALE NONE WT. SHEET 77
---	--	--	--

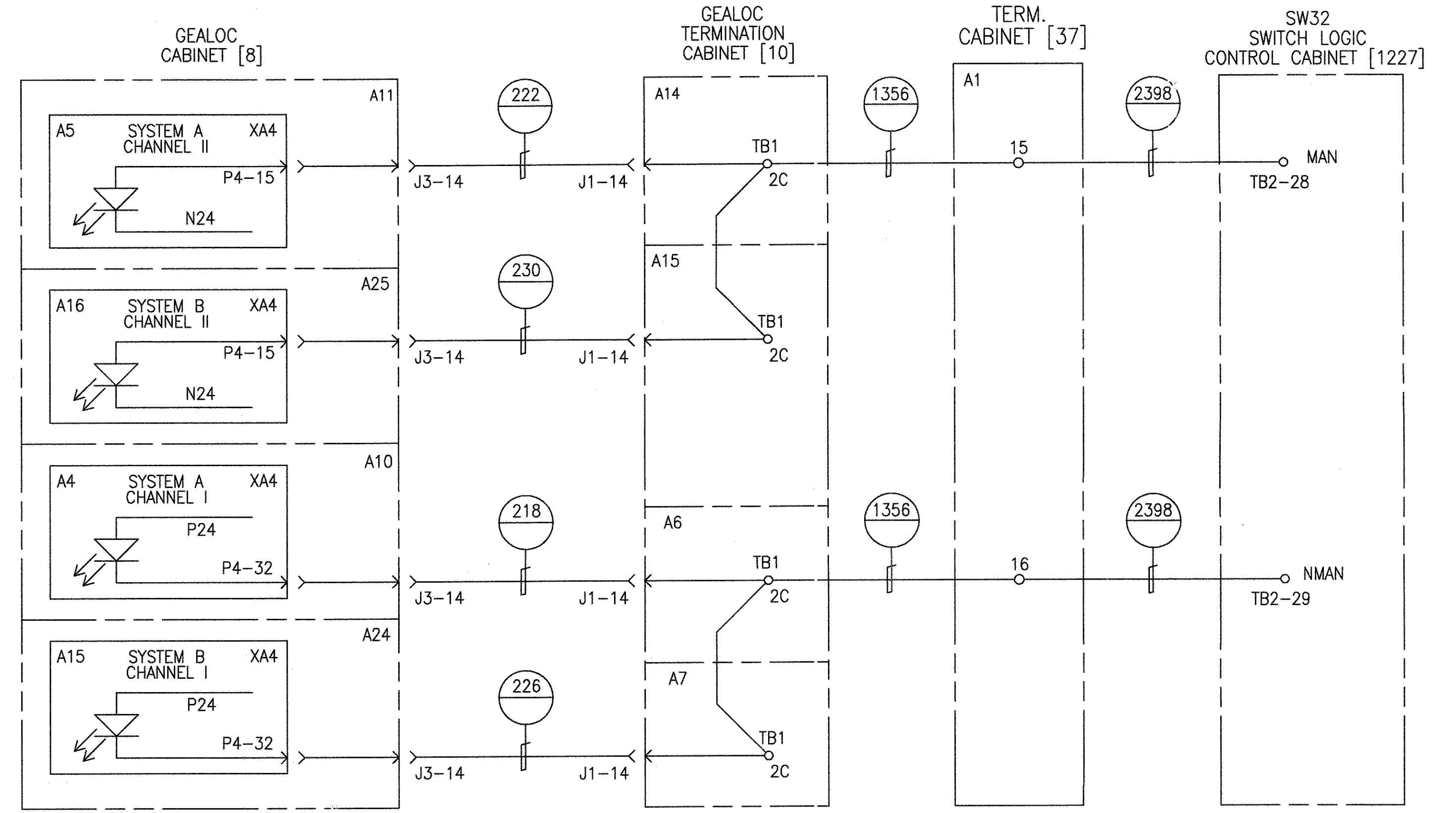
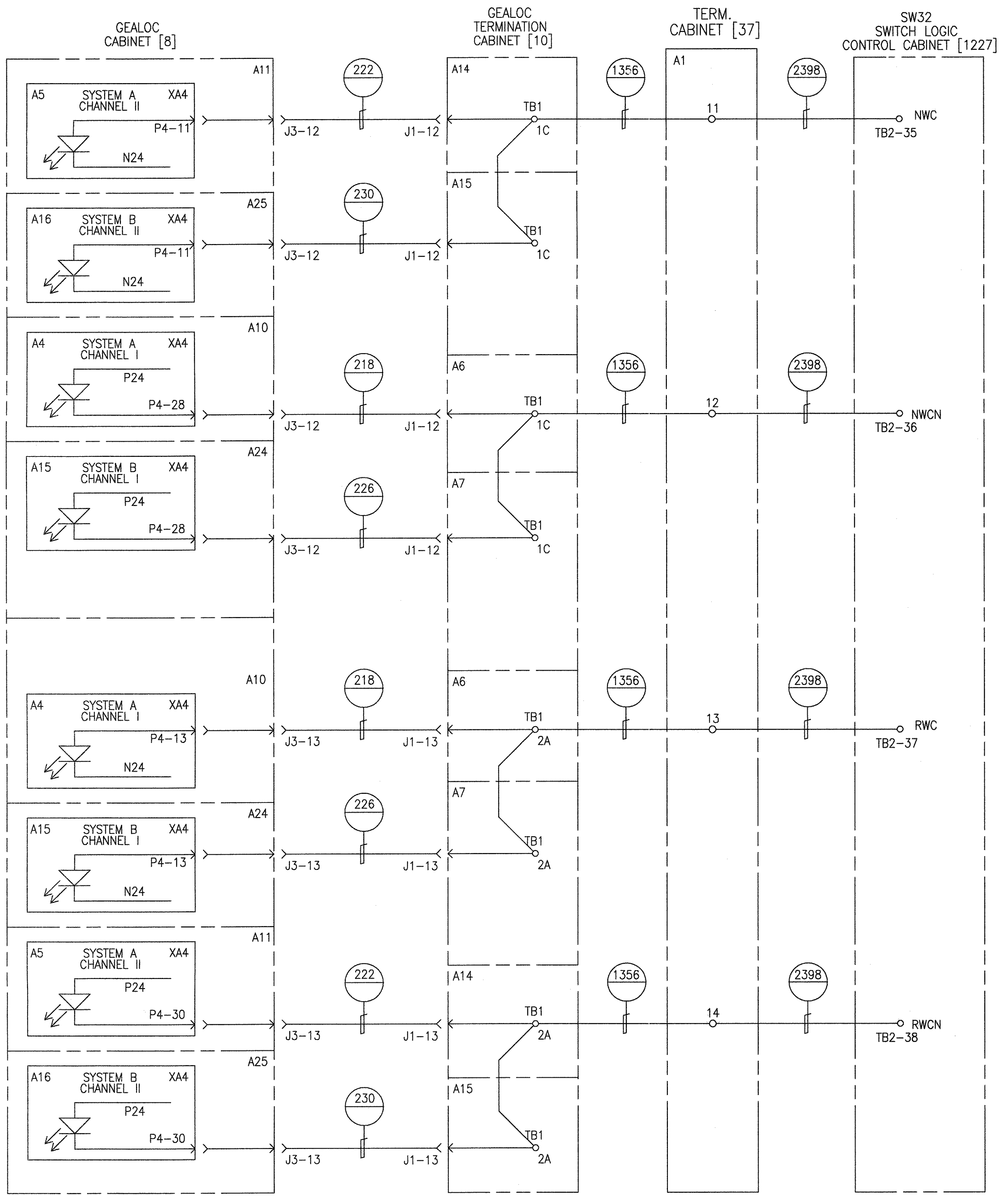


SWITCH NO. 31 GEALOC INPUTS

PROPRIETARY INFORMATION - SEE SHEET 1

AutoCAD

<b>GEOMETRIC CHARACTERISTIC SYMBOLS</b> FLATNESS STRAIGHTNESS ROUNDNESS (CIRCULARITY) CYLINDRICITY PROFILE OF ANY LINE PROFILE OF ANY SURFACE PARALLELISM PERPENDICULARITY (SQUARENESS) ANGULARITY RUNOUT TRUE POSITION CONCENTRICITY SYMMETRY MAXIMUM MATERIAL CONDITION (MMC) REGARDLESS OF FEATURE SIZE		DFTM. R.ANDERSON 4-11-02 CHKR. ENGRG. R.KORTYNA MFG. APPD. DFTG. SU-IV. J.CARNEVALE	DATE <b>BOMBARDIER</b> TITLE HOUSTON PHASE 2 WAYSIDE SYSTEM SCHEMATIC DIMENSIONS IN INCHES SIZE D DWG. NO. 6D61054 REV. 7 SCALE NONE WT. SHEET 78
---	--	--	--



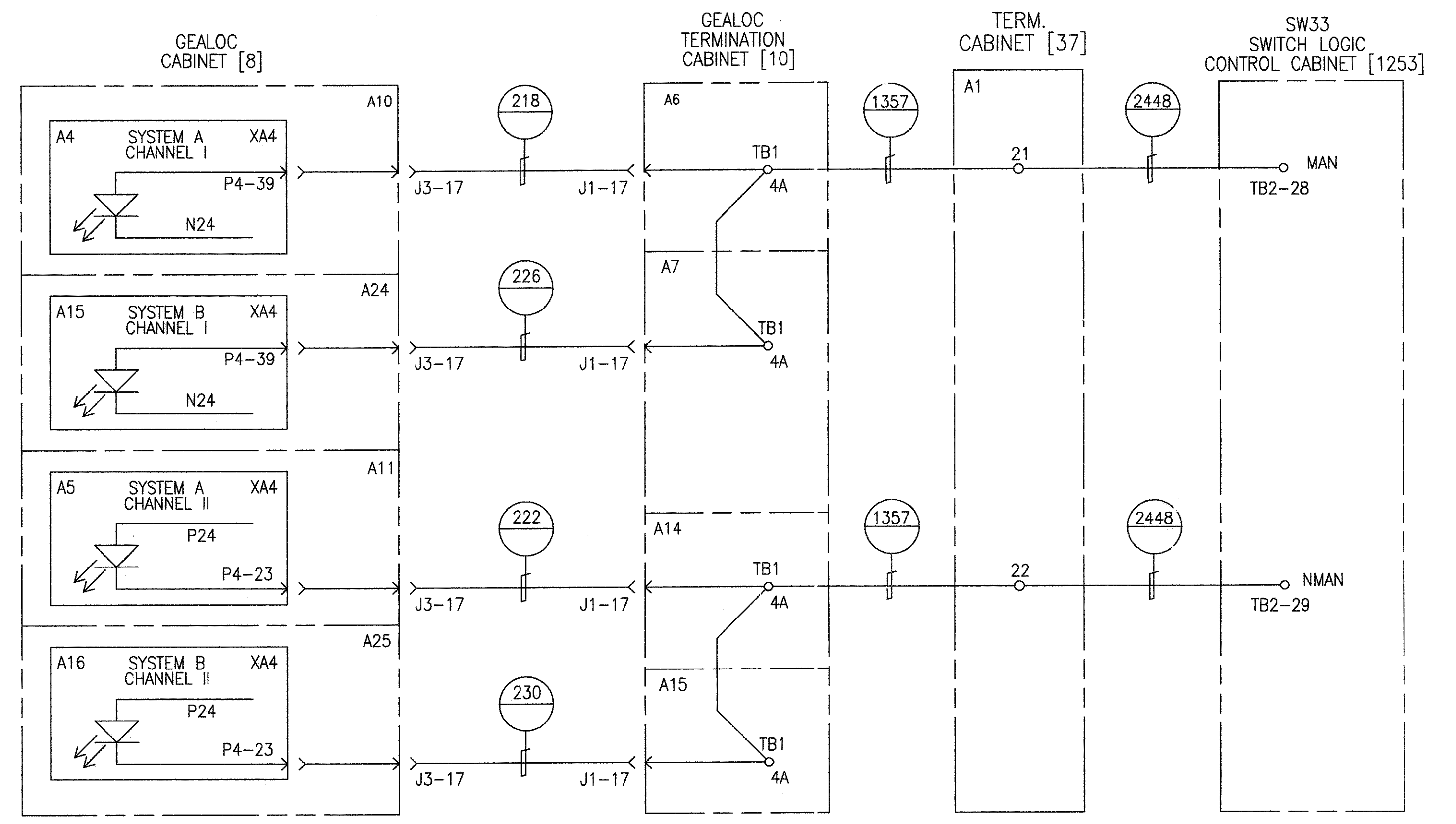
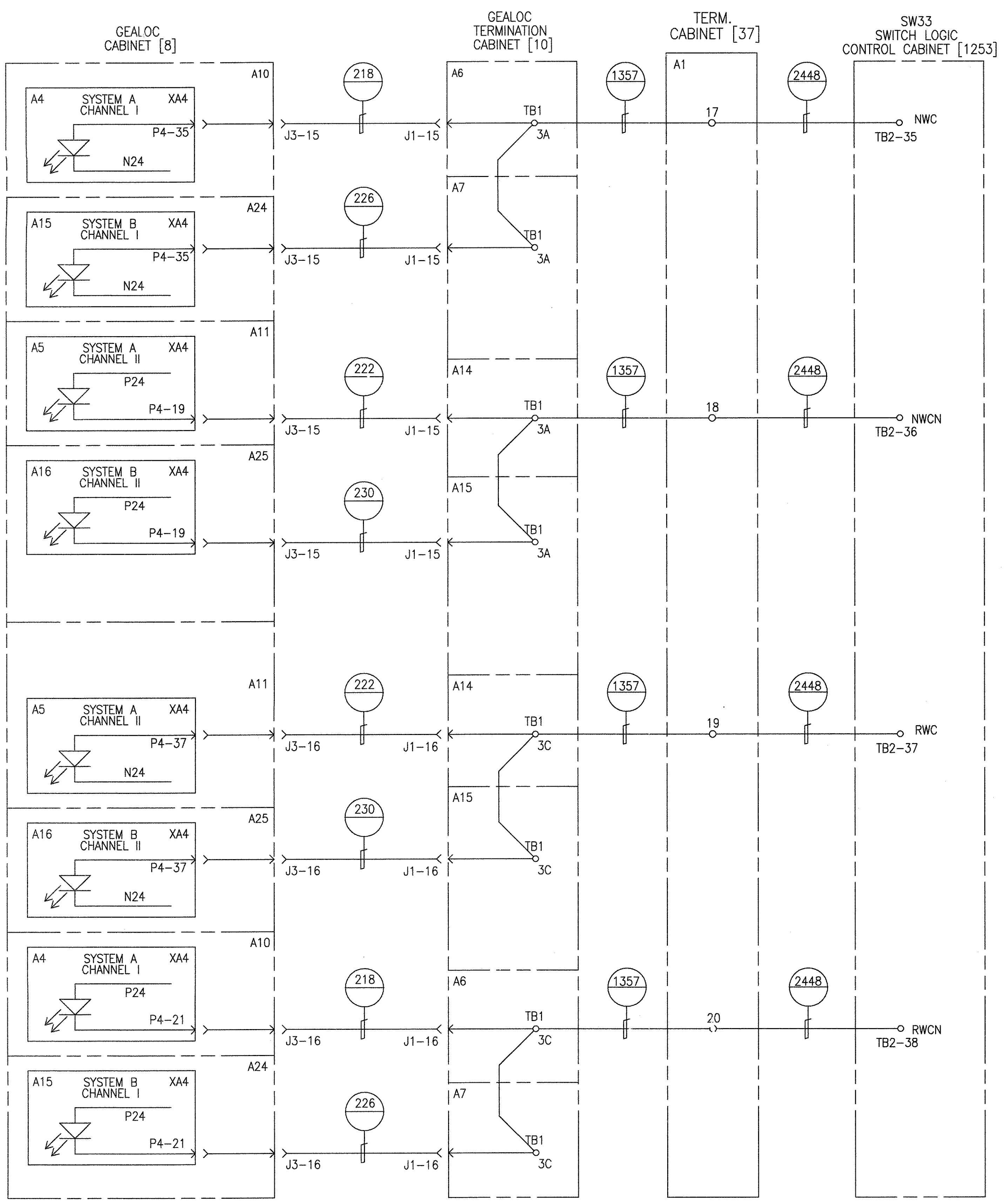
SWITCH NO. 32 GEALOC INPUTS

PROPRIETARY INFORMATION - SEE SHEET 1

AutoCAD

<b>GEOMETRIC CHARACTERISTIC SYMBOLS</b> FLATNESS STRAIGHTNESS ROUNDNESS (CIRCULARITY) CYLINDRICITY PROFILE OF ANY LINE PROFILE OF ANY SURFACE PARALLELISM PERPENDICULARITY (SQUARENESS) ANGULARITY RUNOUT TRUE POSITION CONCENTRICITY SYMMETRY MAXIMUM MATERIAL CONDITION (MMC) REGARDLESS OF FEATURE SIZE		DFTM. R.ANDERSON 4-11-02 CHRR. ENGRG. R.KORTYNA MFG. APPD. DFTG. SU-IV. J.CARNEVALE	DATE TITLE HOUSTON PHASE 2 WAYSIDE SYSTEM SCHEMATIC DIMENSIONS IN INCHES SIZE D SCALE NONE	DWG. NO. 6D61054 REV. 7 SHEET 79
---	--	--	--	--



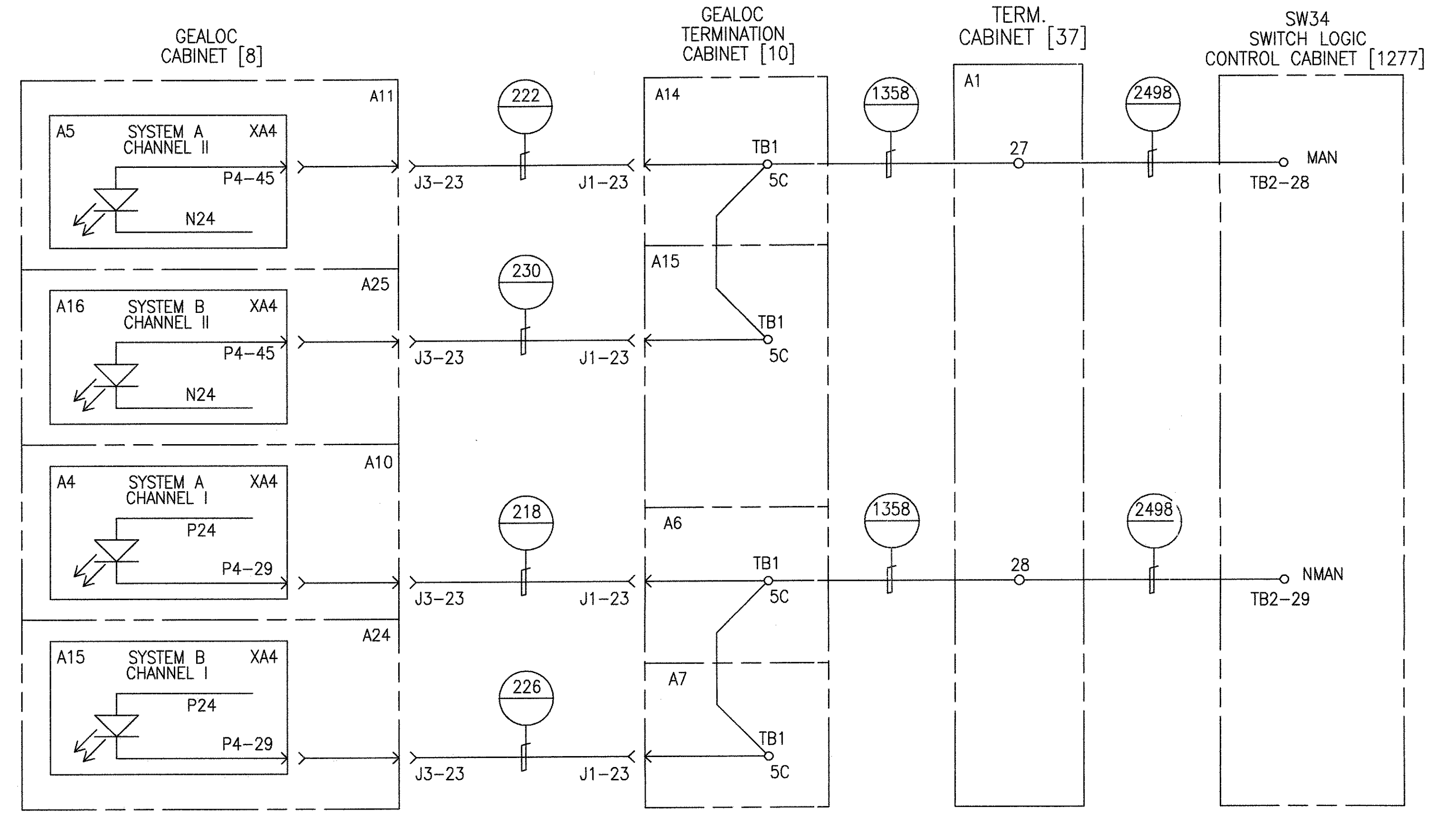
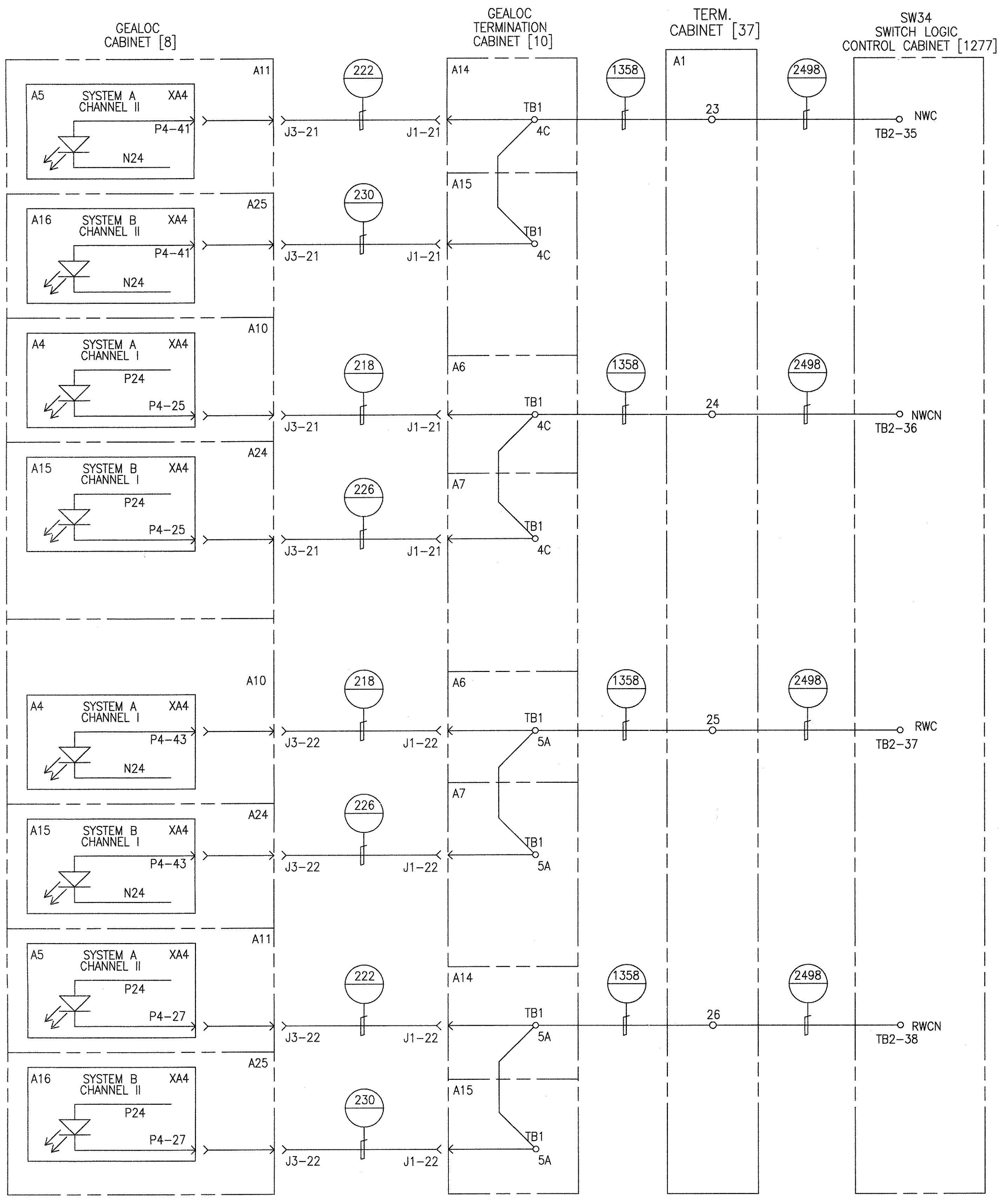


SWITCH NO. 33 GEALOC INPUTS

PROPRIETARY INFORMATION - SEE SHEET 1

AutoCAD

<b>GEOMETRIC CHARACTERISTIC SYMBOLS</b> FLATNESS      ——— STRAIGHTNESS      ——— ROUNDNESS (CIRCULARITY)      ○ CYLINDRICITY      ○ PROFILE OF ANY LINE      ——— PROFILE OF ANY SURFACE      ——— PARALLELISM      // PERPENDICULARITY (SQUARENESS)      ⊥ ANGULARITY      ∠ RUNOUT      ——— TRUE POSITION      ⊕ CONCENTRICITY      ⊕ SYMMETRY      ⊕ MAXIMUM MATERIAL CONDITION (MMC)      M REGARDLESS OF FEATURE SIZE      R		DFTM.      R.ANDERSON 4-11-02 CHKR. ENGRG.      R.KORTYNA MFG. APPD. DFTG. SU'V.      J.CARNEVALE	DATE      4-11-02 TITLE      HOUSTON PHASE 2 WAYSIDE SYSTEM SCHEMATIC DIMENSIONS IN INCHES SIZE      D DWG. NO.      6D61054 REV.      7 SCALE NONE      WT.      SHEET 80
---	--	--	---

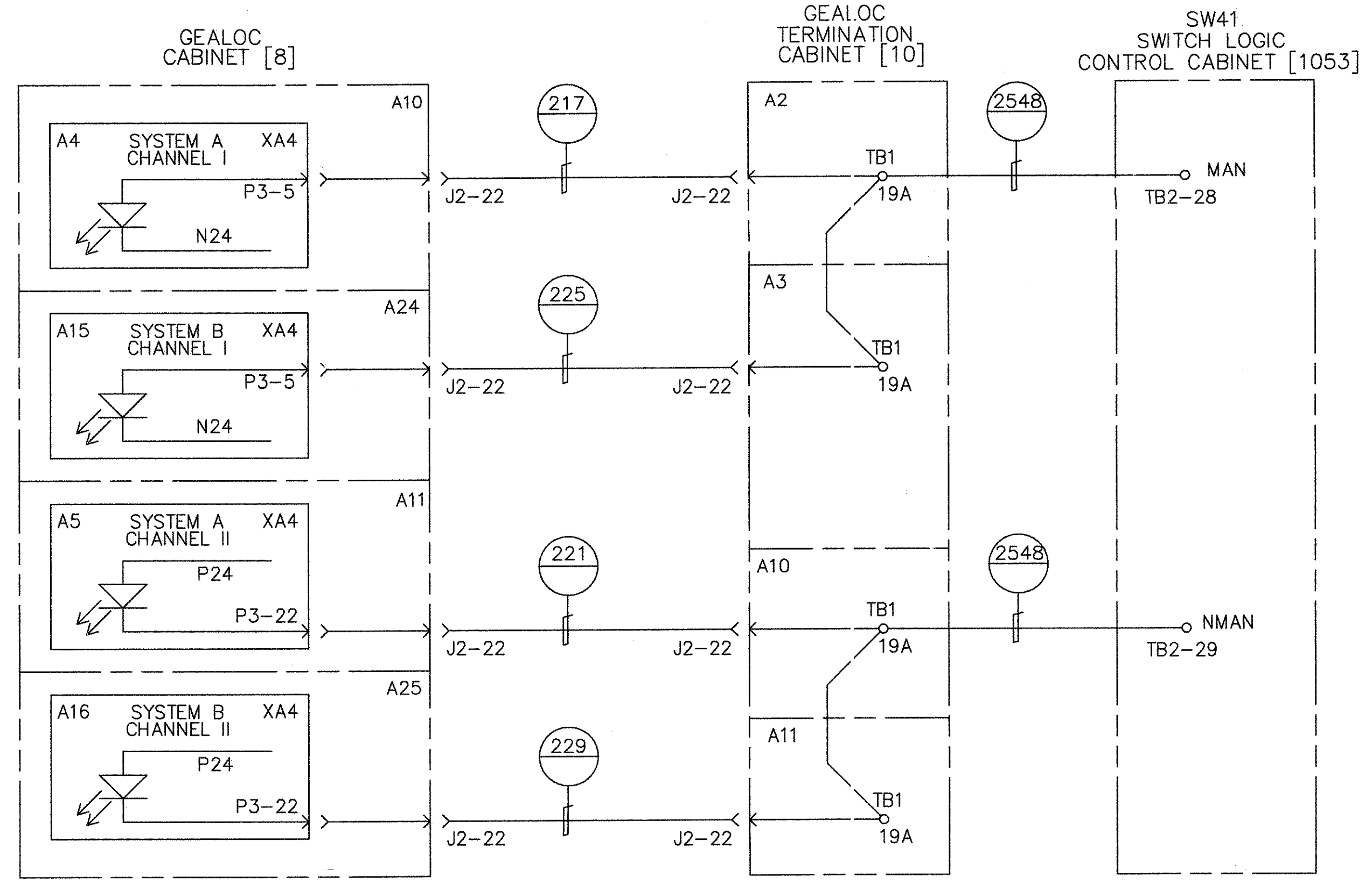
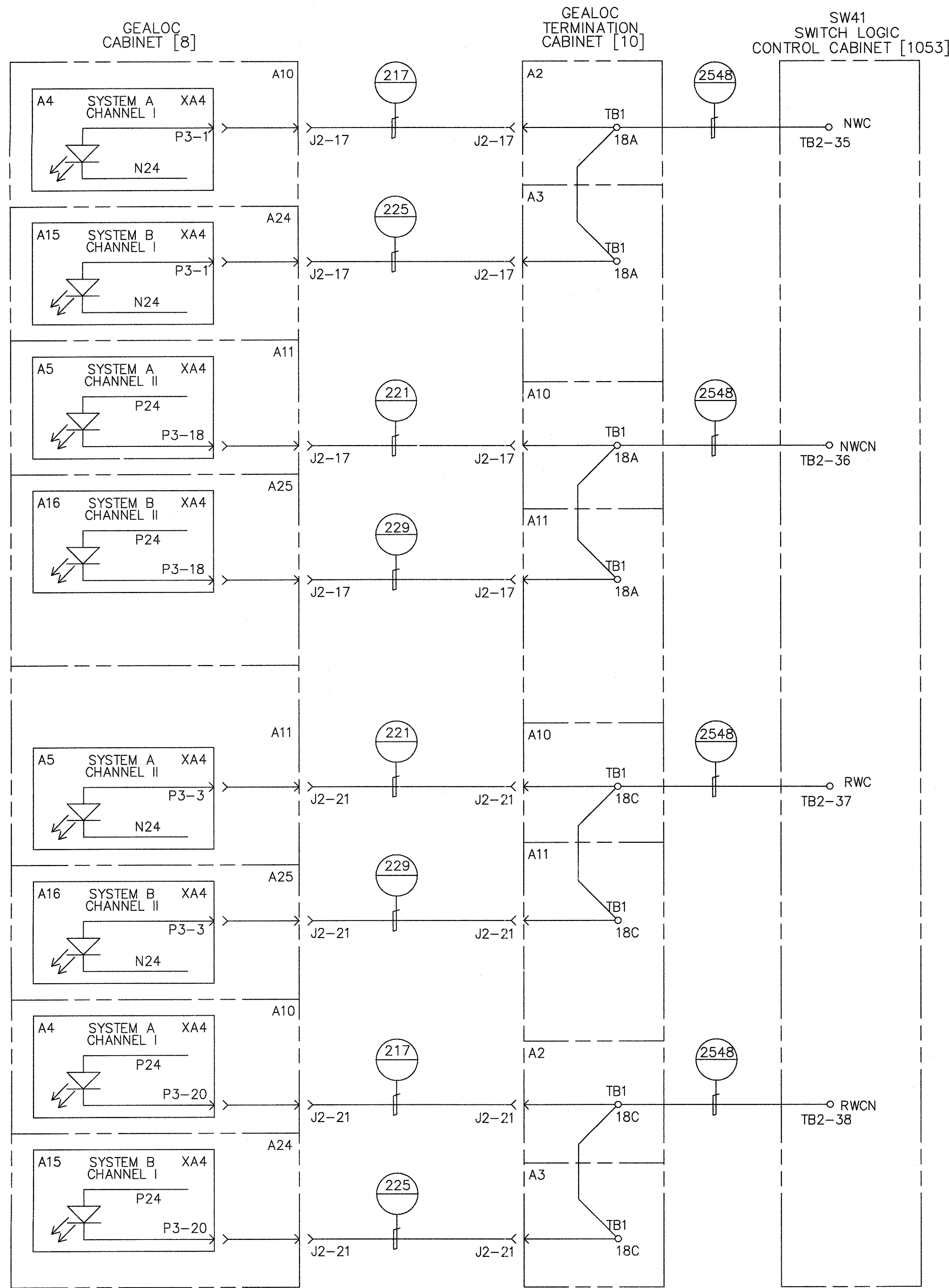


SWITCH NO. 34 GEALOC INPUTS

PROPRIETARY INFORMATION - SEE SHEET 1

AutoCAD

<b>GEOMETRIC CHARACTERISTIC SYMBOLS</b> FLATNESS STRAIGHTNESS ROUNDNESS (CIRCULARITY) CYLINDRICITY PROFILE OF ANY LINE PROFILE OF ANY SURFACE PARALLELISM PERPENDICULARITY (SQUARENESS) ANGULARITY RUNOUT TRUE POSITION CONCENTRICITY SYMMETRY MAXIMUM MATERIAL CONDITION (MMC) REGARDLESS OF FEATURE SIZE		DFTM. R.ANDERSON 4-11-02 CHKR. ENGRG. R.KORTYNA MFG. APPD. DFTG. SU-V, J.CARNEVALE	DATE 4-11-02 TITLE HOUSTON PHASE 2 WAYSIDE SYSTEM SCHEMATIC DIMENSIONS IN INCHES SIZE D SCALE NONE DWG. NO. 6D61054 SHEET 81	REV. 7 BOMBARDIER
---	--	---	---	----------------------

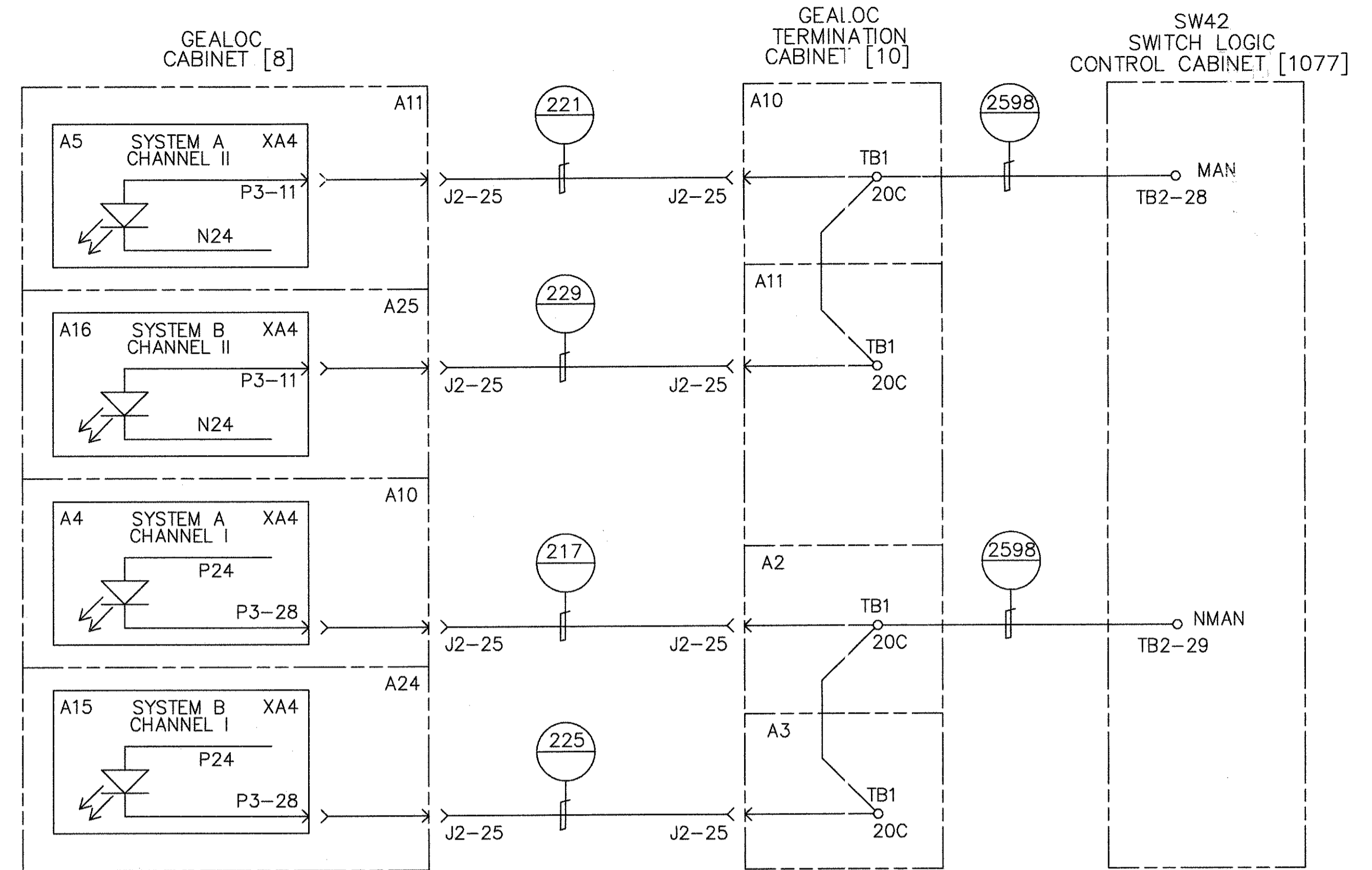
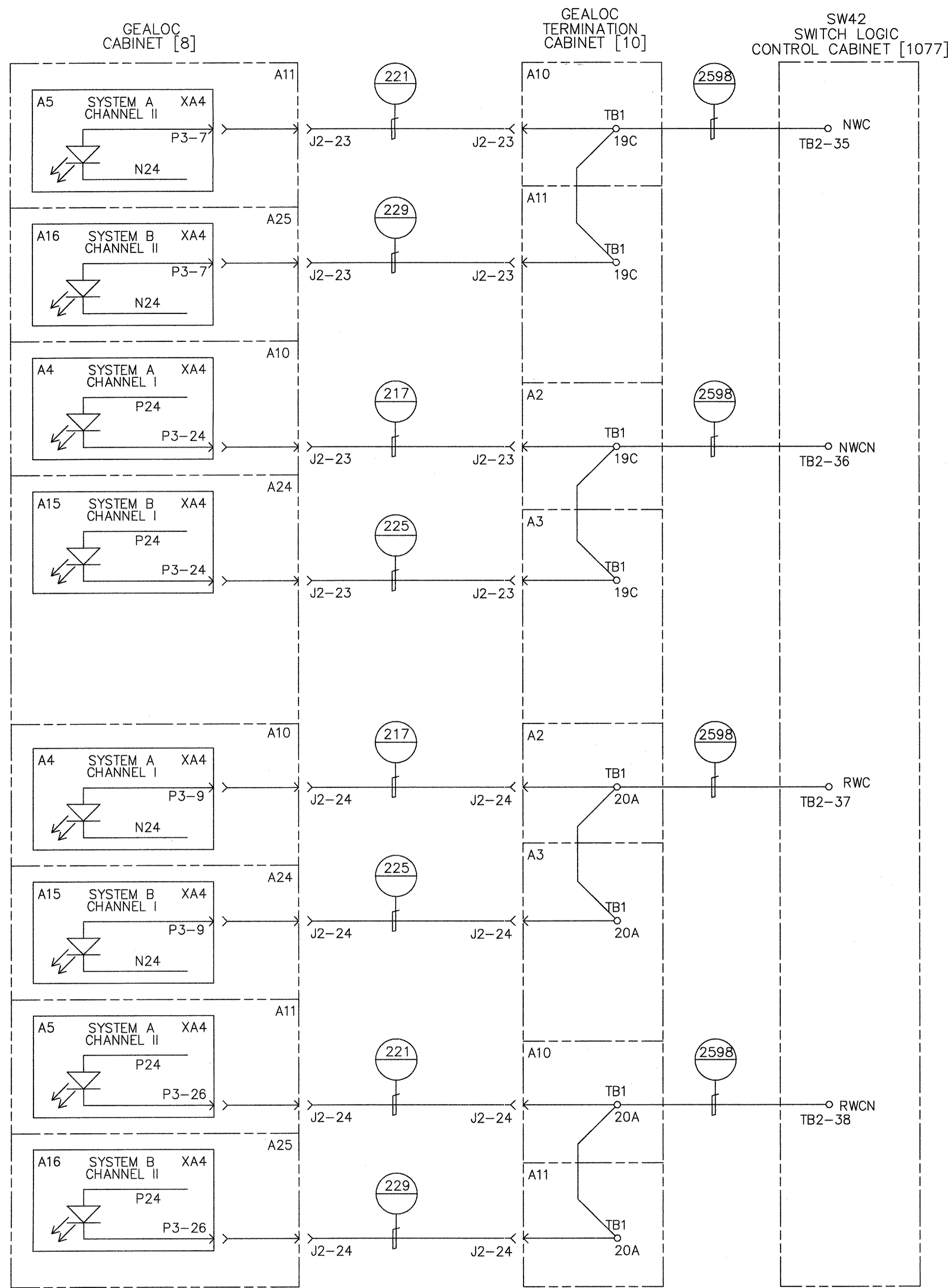


SWITCH NO. 41 GEALOC INPUTS

PROPRIETARY INFORMATION - SEE SHEET 1

AutoCAD

<b>GEOMETRIC CHARACTERISTIC SYMBOLS</b> FLATNESS STRAIGHTNESS ROUNDNESS (CIRCULARITY) CYLINDRICITY PROFILE OF ANY LINE PROFILE OF ANY SURFACE PARALLELISM PERPENDICULARITY (SQUARENESS) ANGULARITY RUNOUT TRUE POSITION CONCENTRICITY SYMMETRY MAXIMUM MATERIAL CONDITION (MMC) REGARDLESS OF FEATURE SIZE		DFTM. R.ANDERSON 4-11-02 CHKR. ENGRG. R.KORTYNA MFG. APPD. J.CARNEVALE DFTG. SU-V. J.CARNEVALE	DATE 4-11-02 TITLE HOUSTON PHASE 2 WAYSIDE SYSTEM SCHEMATIC DIMENSIONS IN INCHES SIZE D DWG. NO. 6D61054 SCALE NONE WT. SHEET 82	<b>BOMBARDIER</b> REV. 7
---	--	---	--	-----------------------------

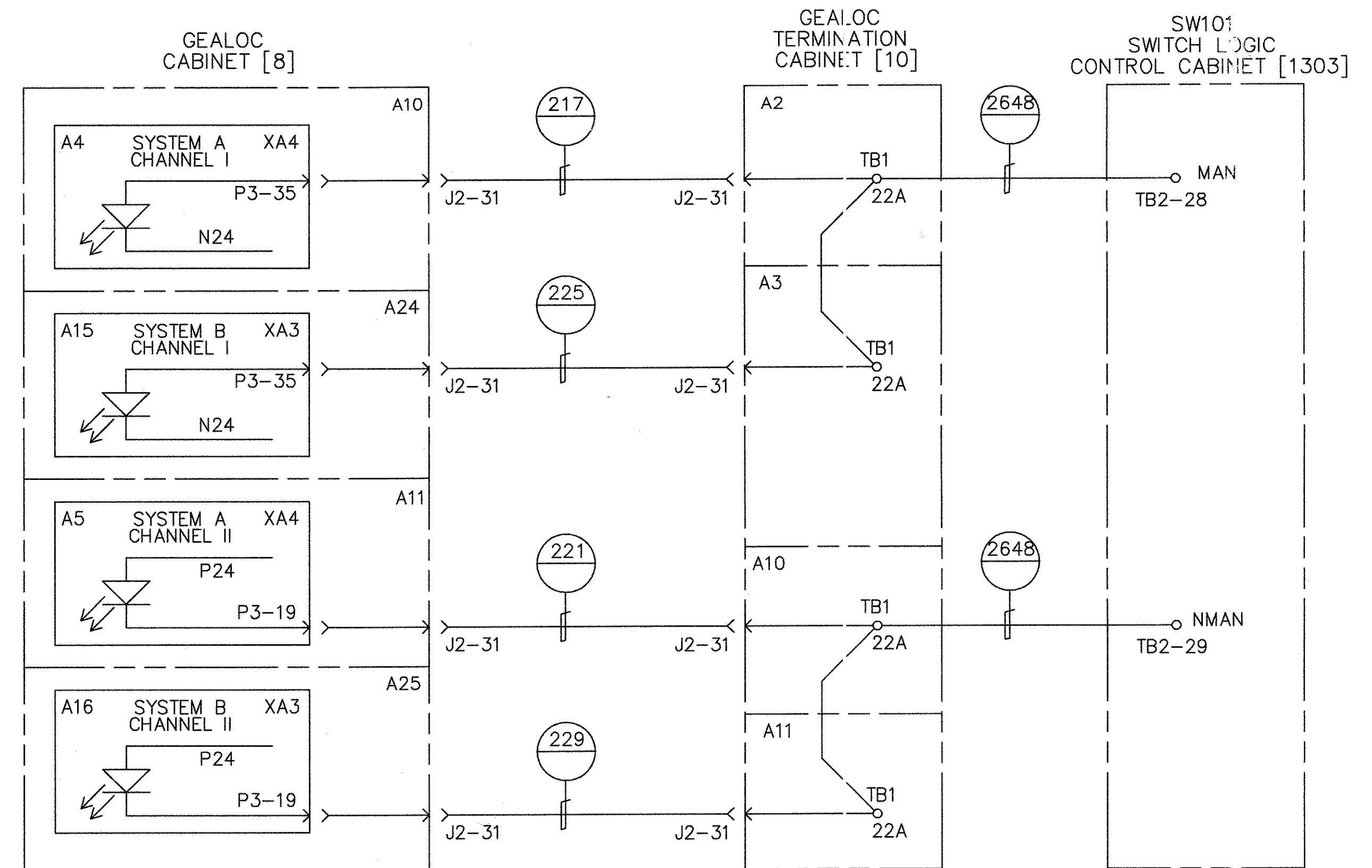
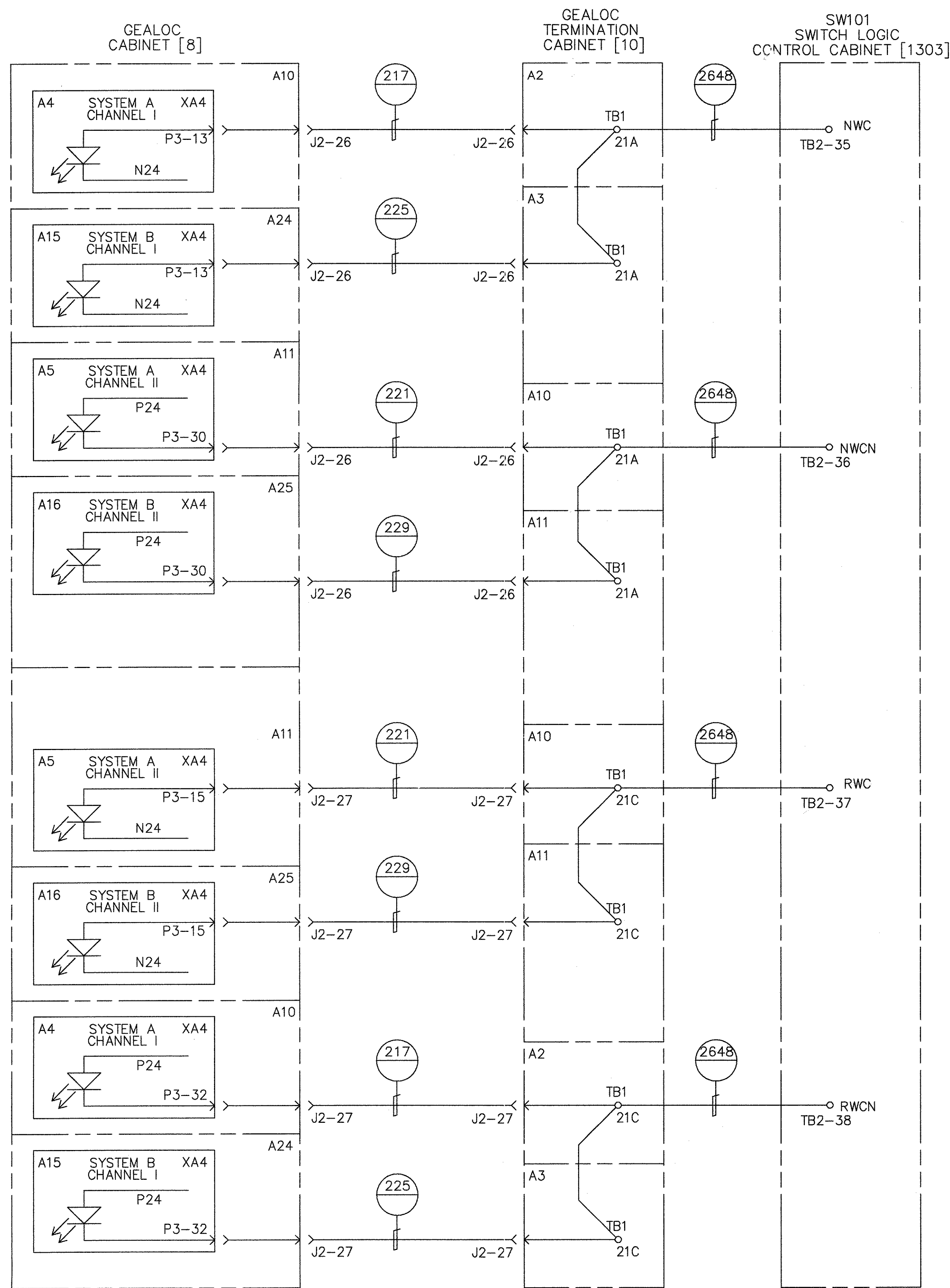


SWITCH NO. 42 GEALOC INPUTS

PROPRIETARY INFORMATION - SEE SHEET 1

AutoCAD

<b>GEOMETRIC CHARACTERISTIC SYMBOLS</b> FLATNESS STRAIGHTNESS ROUNDNESS (CIRCULARITY) CYLINDRICITY PROFILE OF ANY LINE PROFILE OF ANY SURFACE PARALLELISM PERPENDICULARITY (SQUARENESS) ANGULARITY RUNOUT TRUE POSITION CONCENTRICITY SYMMETRY MAXIMUM MATERIAL CONDITION (MMC) REGARDLESS OF FEATURE SIZE		DFTM. R.ANDERSON 4-11-02 CHKR. ENGRG. R.KORIYNA MFG. APPD. DFTG. SU-V. J.CARNEVALE	DATE TITLE <b>HOUSTON PHASE 2</b> <b>WAYSIDE SYSTEM SCHEMATIC</b> DIMENSIONS IN INCHES SIZE D DWG. NO. 6D61054 SCALE NONE WT. SHEET 83	<b>BOMBARDIER</b> REV. 7
---	--	---	---	-----------------------------



SWITCH NO. 101 GEALOC INPUTS

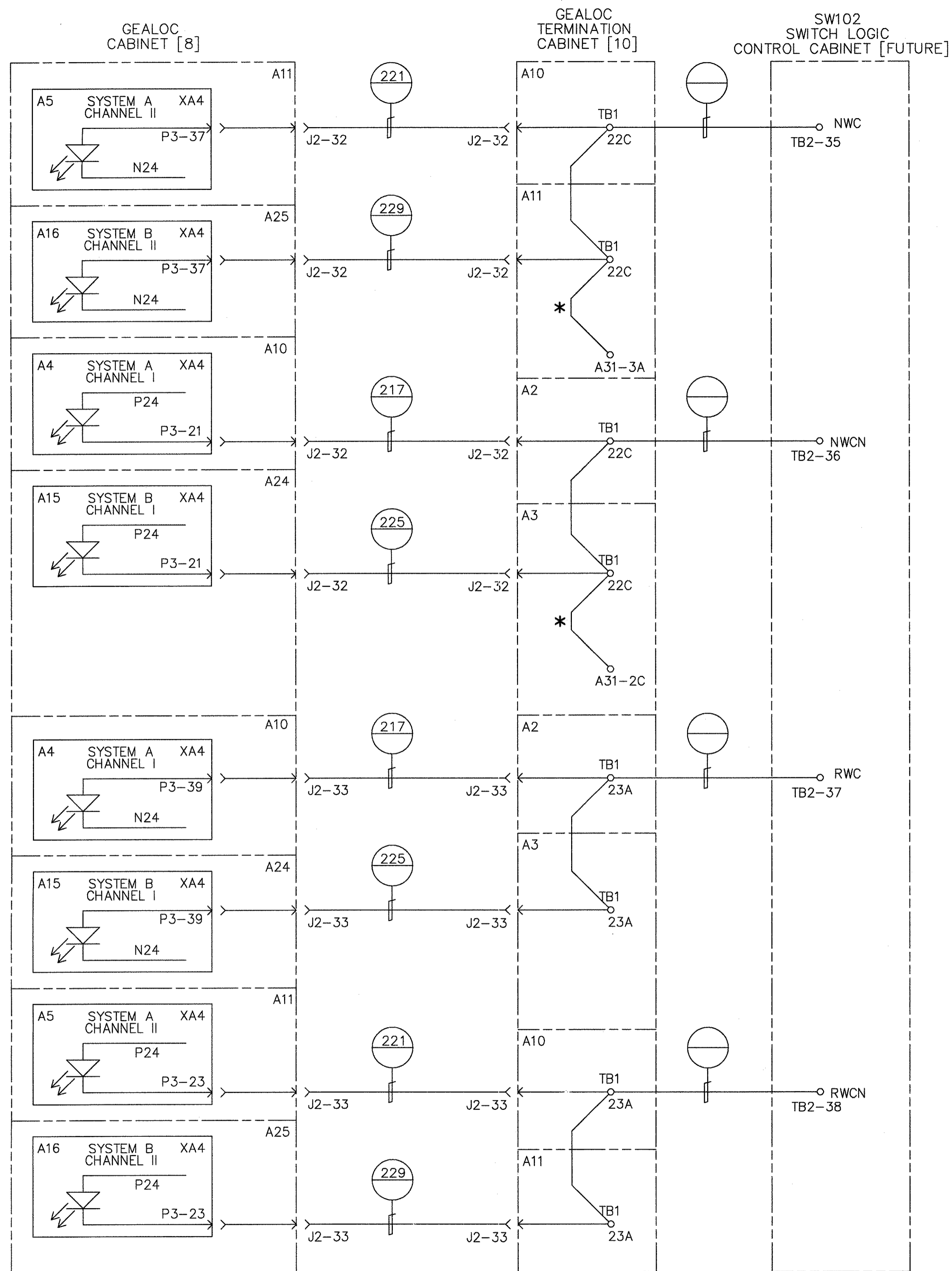
PROPRIETARY INFORMATION - SEE SHEET 1

AutoCAD

GEOMETRIC CHARACTERISTIC SYMBOLS	
FLATNESS	▭
STRAIGHTNESS	—
ROUNDNESS (CIRCULARITY)	○
CYLINDRICITY	∅
PROFILE OF ANY LINE	⌒
PROFILE OF ANY SURFACE	⌒
PARALLELISM	∥
PERPENDICULARITY (SQUARENESS)	⊥
ANGULARITY	∠
RUNOUT	⊖
TRUE POSITION	⊕
CONCENTRICITY	⊙
SYMMETRY	⊞
MAXIMUM MATERIAL CONDITION (MMC)	Ⓜ
REGARDLESS OF FEATURE SIZE	Ⓜ

DFTM.	R.ANDERSON 4-11-02	DATE
CHKR.		
ENGRG.	R.KORTYNA	
MFG.		
APPD.		
DFTG. SU.PV.	J.CARNEVALE	

<b>BOMBARDIER</b>	
TITLE HOUSTON PHASE 2	
WAYSIDE SYSTEM SCHEMATIC	
DIMENSIONS IN INCHES	
SIZE D	DWG. NO. 6D61054
SCALE NONE	WT. SHEET 84
REV. 7	



SWITCH NO. 102 GEALOC INPUTS

\* INSTALLED BY FIELD, JUMPERS NEED REMOVED WHEN SWITCH LOGIC CABINET IS INSTALLED FOR SWITCH 102.

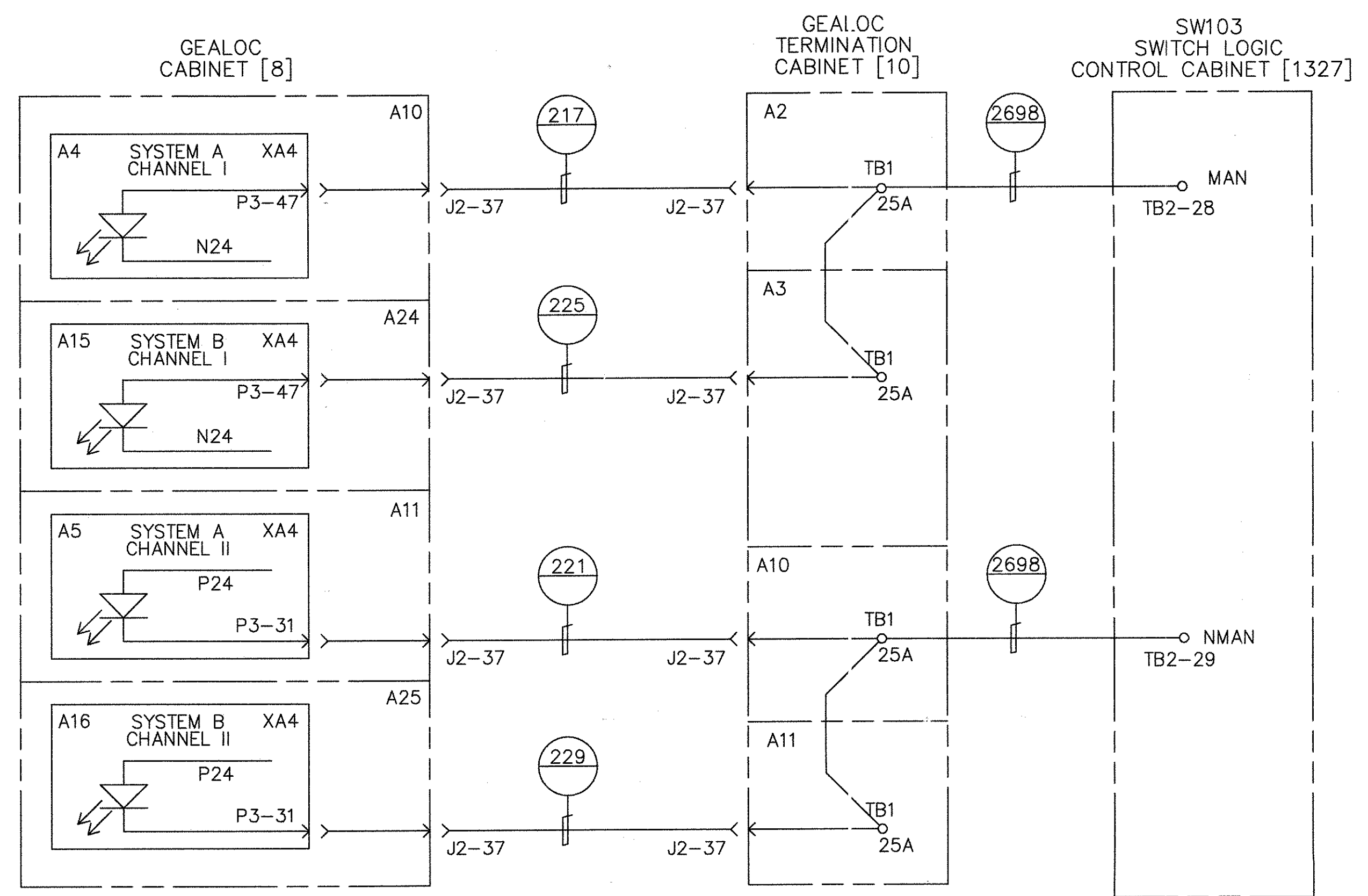
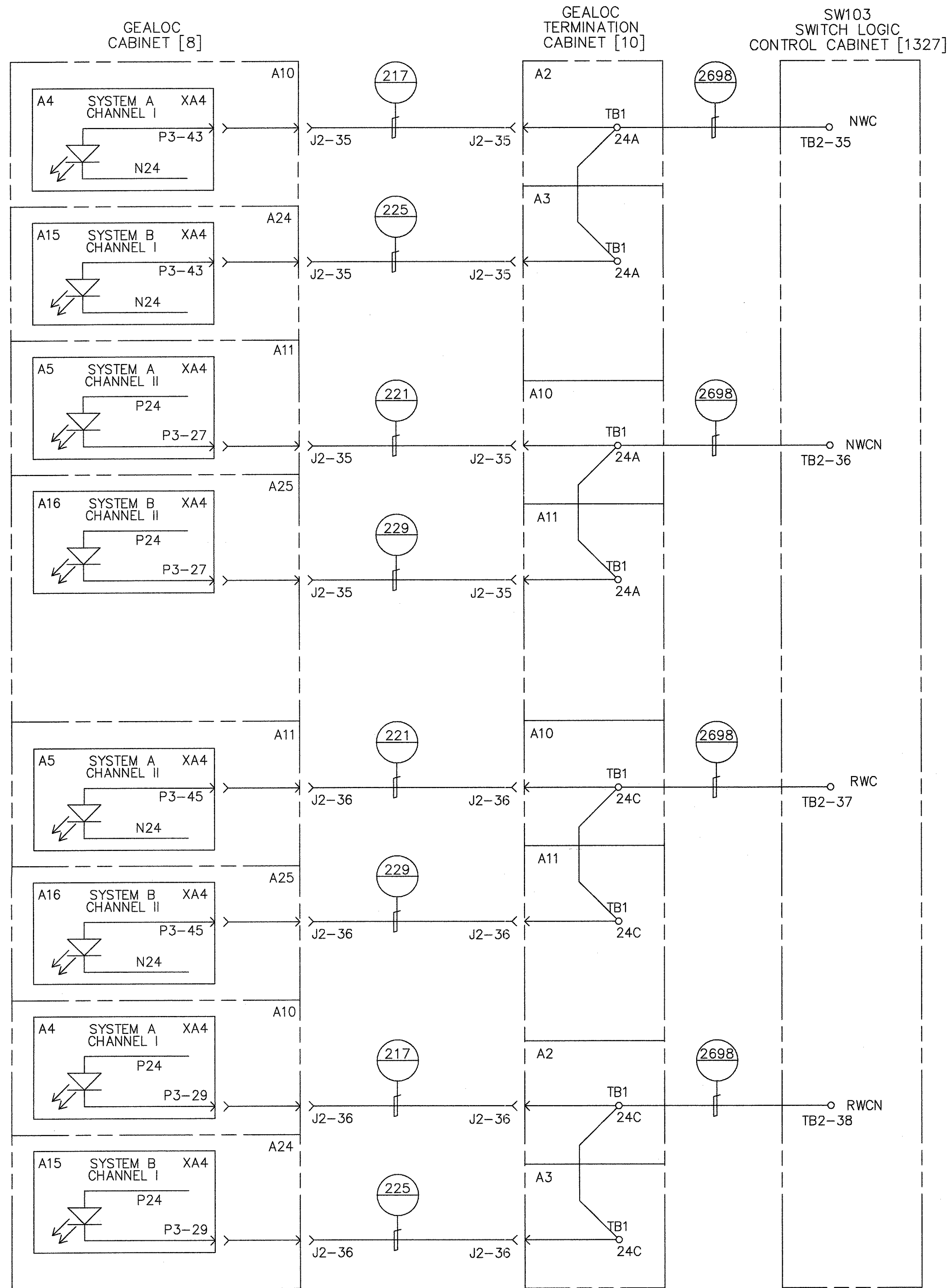
PROPRIETARY INFORMATION - SEE SHEET 1

AutoCAD

GEOMETRIC CHARACTERISTIC SYMBOLS	
FLATNESS	▭
STRAIGHTNESS	—
ROUNDNESS (CIRCULARITY)	○
CYLINDRICITY	∅
PROFILE OF ANY LINE	⌒
PROFILE OF ANY SURFACE	⌒
PARALLELISM	∥
PERPENDICULARITY (SQUARENESS)	⊥
ANGULARITY	∠
RUNOUT	⊖
TRUE POSITION	⊕
CONCENTRICITY	⊙
SYMMETRY	⊞
MAXIMUM MATERIAL CONDITION (MMC)	Ⓜ
REGARDLESS OF FEATURE SIZE	Ⓛ

DFTM.	DATE
R.ANDERSON	4-11-02
ENGRG.	
R.KORTYNA	
MFG.	
APPD.	
DFTG. SU-V.	
J.CARNEVALE	

BOMBARDIER	
TITLE	
HOUSTON PHASE 2	
WAYSIDE SYSTEM SCHEMATIC	
DIMENSIONS IN INCHES	
SIZE	DWG. NO.
D	6D61054
SCALE	WT.
NONE	
SHEET	85
REV.	7

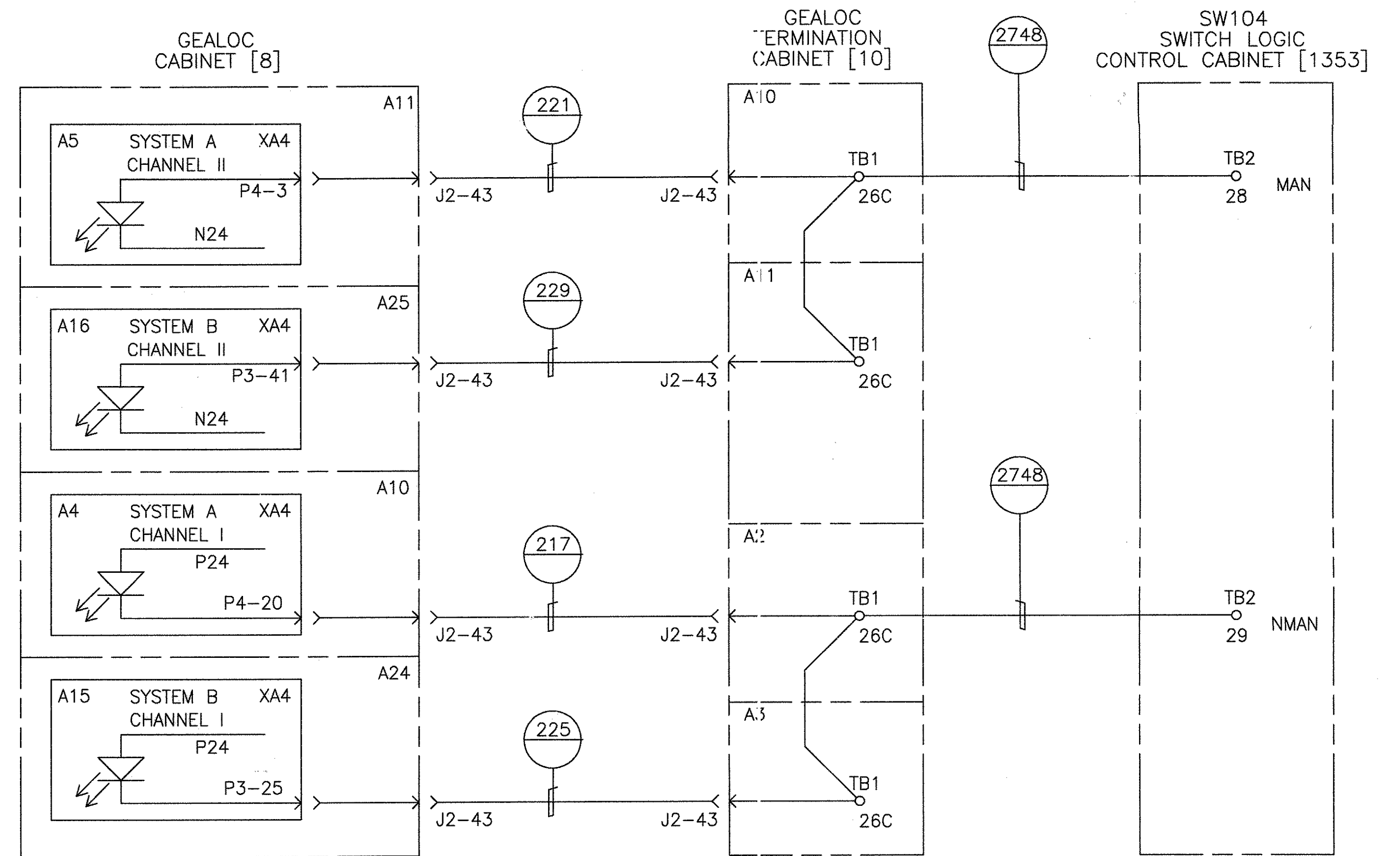
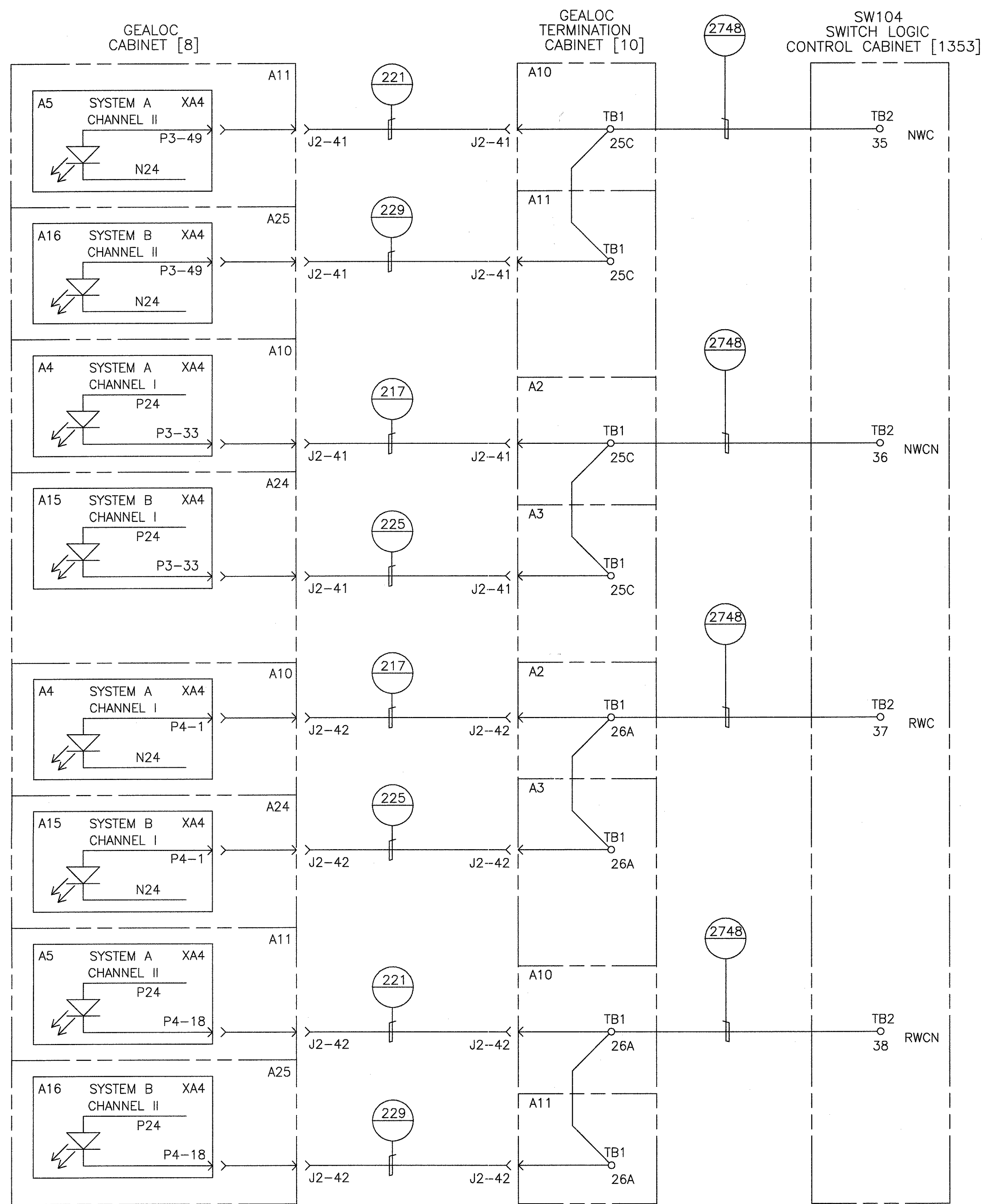


SWITCH NO. 103 GEALOC INPUTS

PROPRIETARY INFORMATION - SEE SHEET 1

AutoCAD

<b>GEOMETRIC CHARACTERISTIC SYMBOLS</b> FLATNESS STRAIGHTNESS ROUNDNESS (CIRCULARITY) CYLINDRICITY PROFILE OF ANY LINE PROFILE OF ANY SURFACE PARALLELISM PERPENDICULARITY (SQUARENESS) ANGULARITY RUNOUT TRUE POSITION CONCENTRICITY SYMMETRY MAXIMUM MATERIAL CONDITION (MMC) REGARDLESS OF FEATURE SIZE		DFTM. R.ANDERSON 4-11-02 CHKR. ENGRG. R.KORIYNA MFG. APPD. DFTG. SUPV. J.CARNEVALE	DATE 4-11-02 TITLE HOUSTON PHASE 2 WAYSIDE SYSTEM SCHEMATIC DIMENSIONS IN INCHES SIZE D DWG. NO. 6D61054 SCALE NONE WT. SHEET 86	<b>BOMBARDIER</b> REV. 7
---	--	---	--	-----------------------------



SWITCH NO. 104 GEALOC INPUTS

PROPRIETARY INFORMATION - SEE SHEET 1

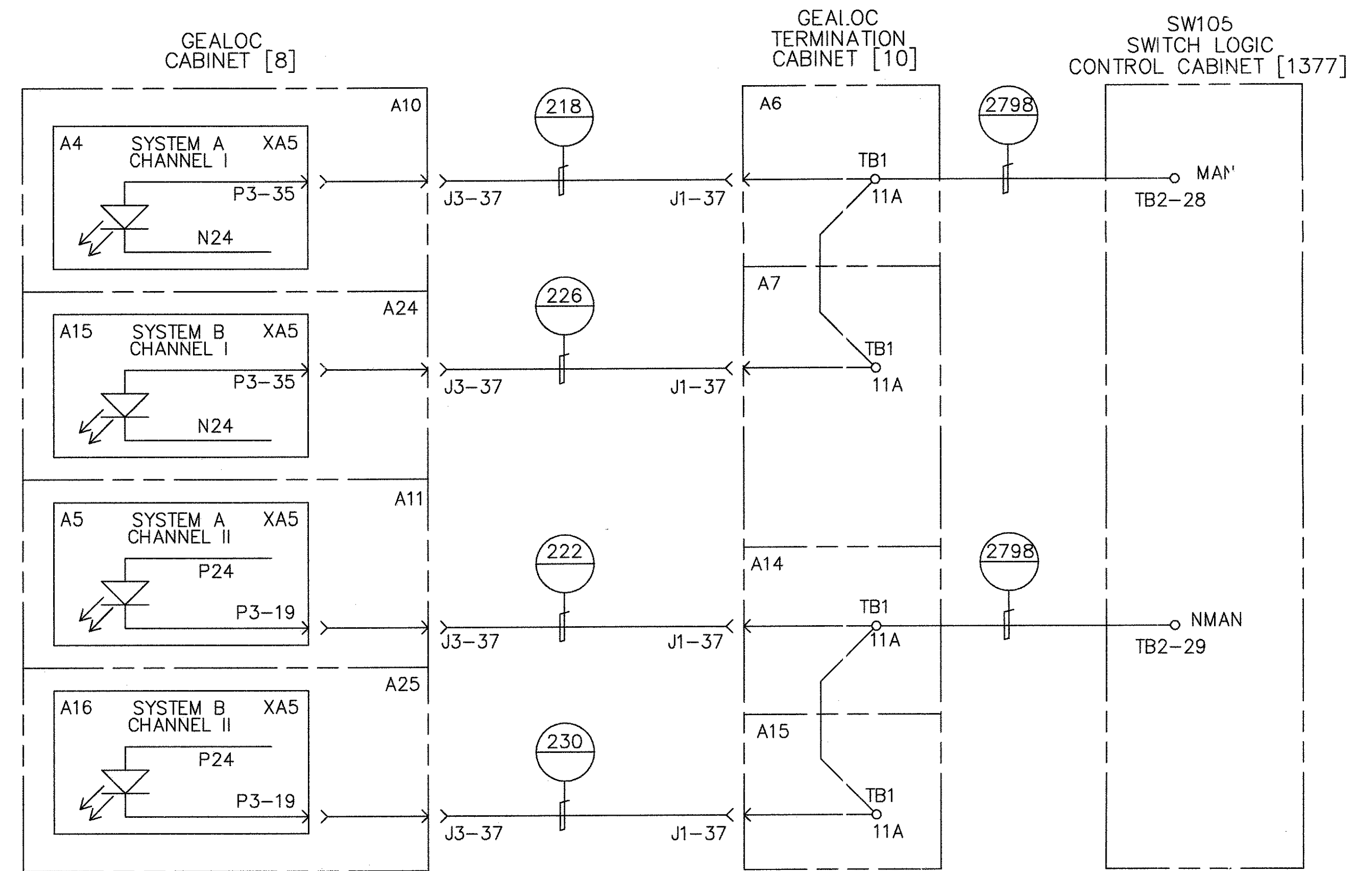
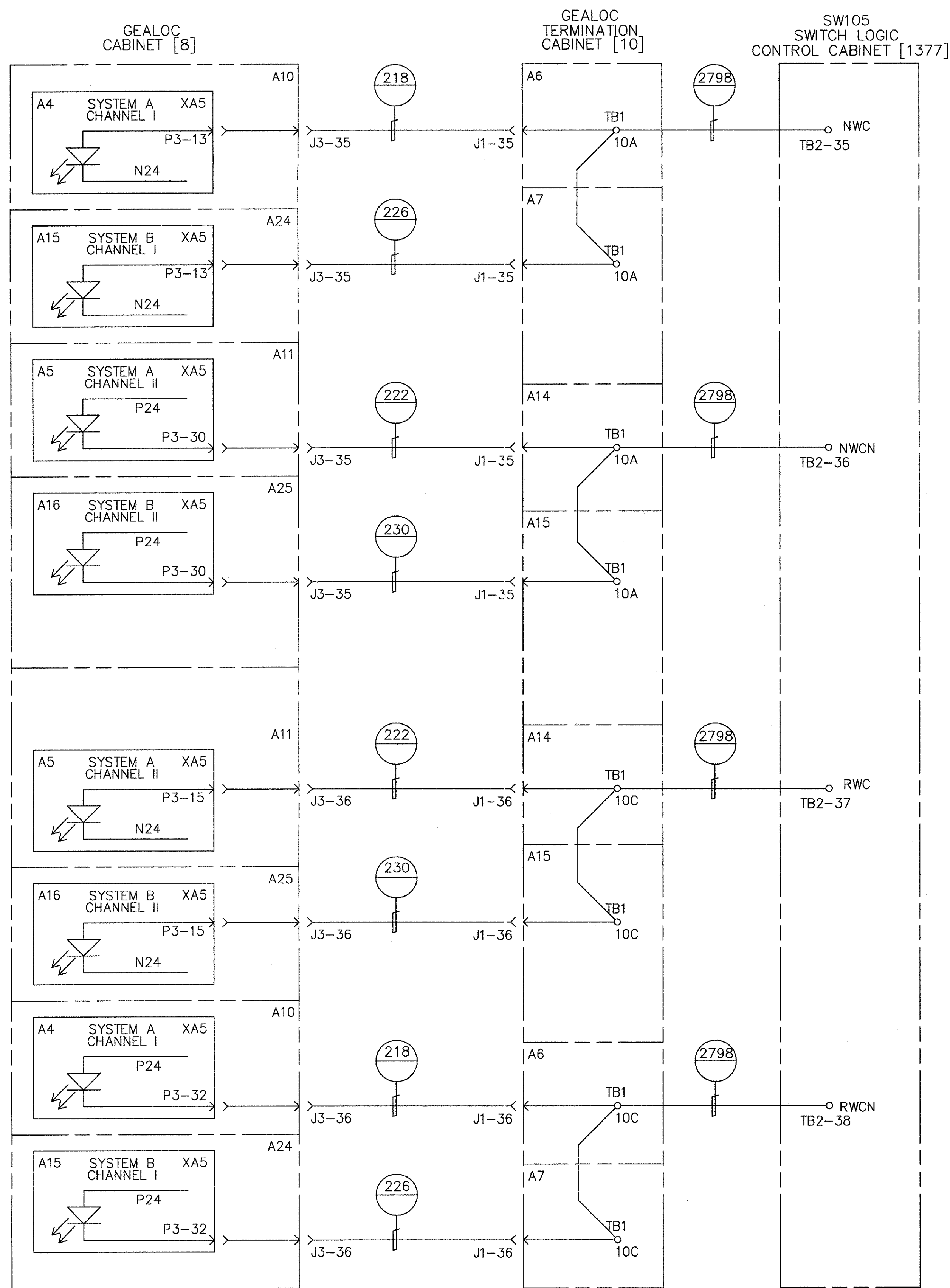
AutoCAD

GEOMETRIC CHARACTERISTIC SYMBOLS	
FLATNESS	▭
STRAIGHTNESS	—
ROUNDNESS (CIRCULARITY)	○
CYLINDRICITY	∅
PROFILE OF ANY LINE	⌒
PROFILE OF ANY SURFACE	⌒
PARALLELISM	∥
PERPENDICULARITY (SQUARENESS)	⊥
ANGULARITY	∠
RUNOUT	⊖
TRUE POSITION	⊕
CONCENTRICITY	⊙
SYMMETRY	⊞
MAXIMUM MATERIAL CONDITION (MMC)	Ⓜ
REGARDLESS OF FEATURE SIZE	Ⓛ

DFTM.	DATE
R. ANDERSON	4-11-02
ENGRG.	
R. KORIYNA	
MFG.	
APPD.	
DFTG. SUPV.	
J. CARNEVALE	

BOMBARDIER	
TITLE	HCJSTON PHASE 2
	WAYSIDE SYSTEM SCHEMATIC
DIMENSIONS IN INCHES	
SIZE	D
DWG. NO.	6D61054
REV.	7
SCALE	NONE
WT.	
SHEET	87





SWITCH NO. 105 GEALOC INPUTS

PROPRIETARY INFORMATION - SEE SHEET 1

AutoCAD



GEOMETRIC CHARACTERISTIC SYMBOLS	
FLATNESS	▭
STRAIGHTNESS	—
ROUNDNESS (CIRCULARITY)	○
CYLINDRICITY	∅
PROFILE OF ANY LINE	—
PROFILE OF ANY SURFACE	—
PARALLELISM	∥
PERPENDICULARITY (SQUARENESS)	⊥
ANGULARITY	∠
RUNOUT	⊘
TRUE POSITION	⊕
CONCENTRICITY	⊙
SYMMETRY	⊞
MAXIMUM MATERIAL CONDITION (MMC)	Ⓜ
REGARDLESS OF FEATURE SIZE	Ⓛ

DFTM.	DATE
R.ANDERSON	4-11-02
ENGRG.	R.KORTYNA
MFG.	
APPD.	
DFTG. SU-IV.	J.CARNEVALE

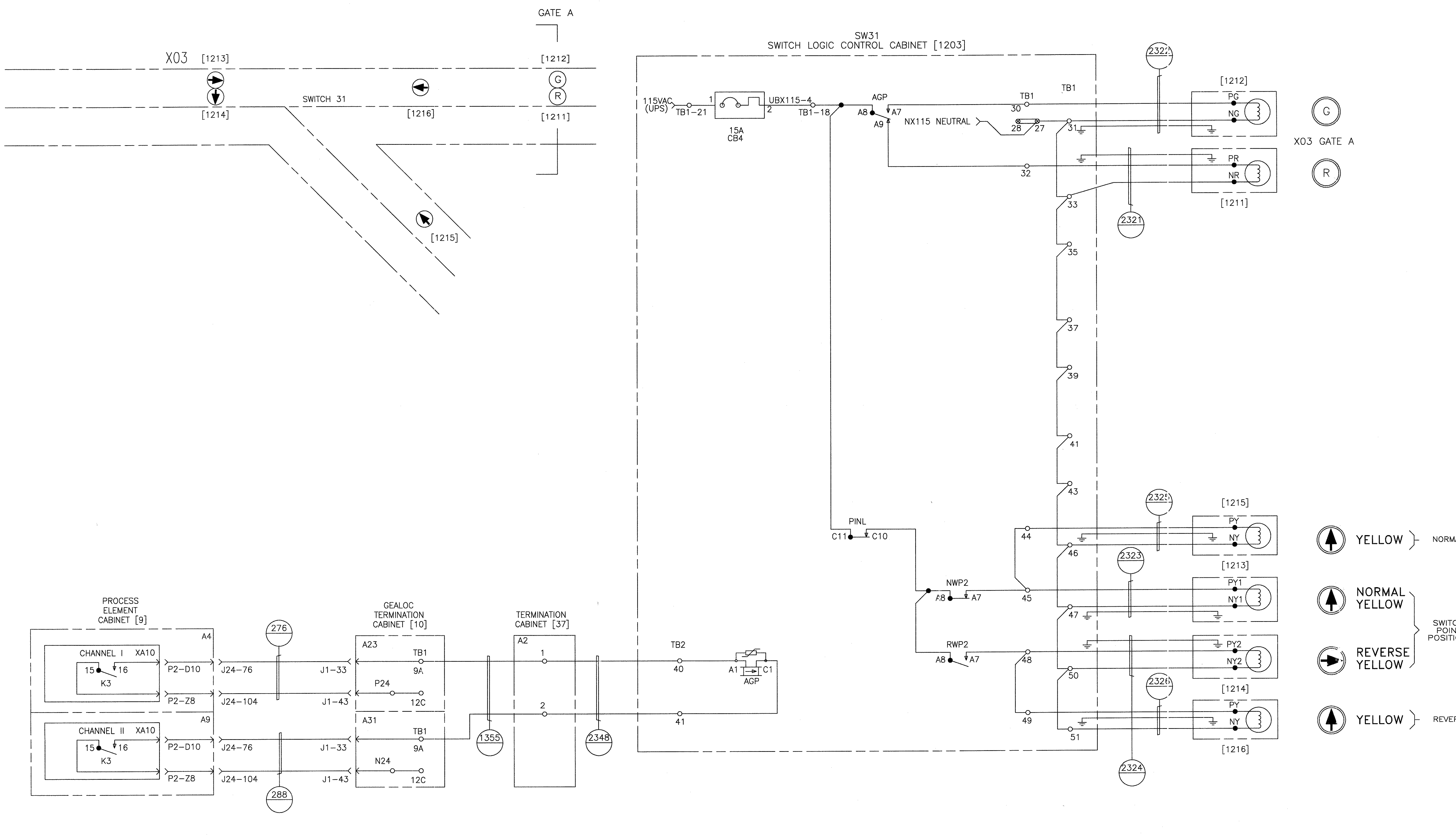
BOMBARDIER	
TITLE: HOUSTON PHASE 2	
WAYSIDE SYSTEM SCHEMATIC	
DIMENSIONS IN INCHES	
SIZE: D	DWG. NO. 6D61054
SCALE: NONE	REV. 7
SHEET 88	

BLANK SHEET

PROPRIETARY INFORMATION - SEE SHEET 1

AutoCAD

<b>GEOMETRIC CHARACTERISTIC SYMBOLS</b>		<b>DFTM.</b>	<b>DATE</b>	<b>BOMBARDIER</b>	
FLATNESS		R.ANDERSON	4-11-02		
STRAIGHTNESS		<b>CHKR.</b>		<b>TITLE</b>	
ROUNDNESS (CIRCULARITY)				HOUSTON PHASE 2	
CYLINDRICITY		<b>ENGRG.</b>		WAYSIDE SYSTEM SCHEMATIC	
PROFILE OF ANY LINE		R.KORIYNA		<b>DIMENSIONS IN INCHES</b>	
PROFILE OF ANY SURFACE		<b>MFG.</b>		<b>SIZE</b>	<b>DWG. NO.</b>
PARALLELISM				D	6D61054
PERPENDICULARITY (SQUARENESS)		<b>APPD.</b>		<b>SCALE</b>	<b>WT.</b>
ANGULARITY				NONE	
RUNOUT		<b>DFTG. SU.PV.</b>		<b>SHEET</b>	<b>89</b>
TRUE POSITION		J.CARNEVALE	300	<b>REV.</b>	<b>7</b>
CONCENTRICITY					
SYMMETRY					
MAXIMUM MATERIAL CONDITION (MMC)					
REGARDLESS OF FEATURE SIZE					

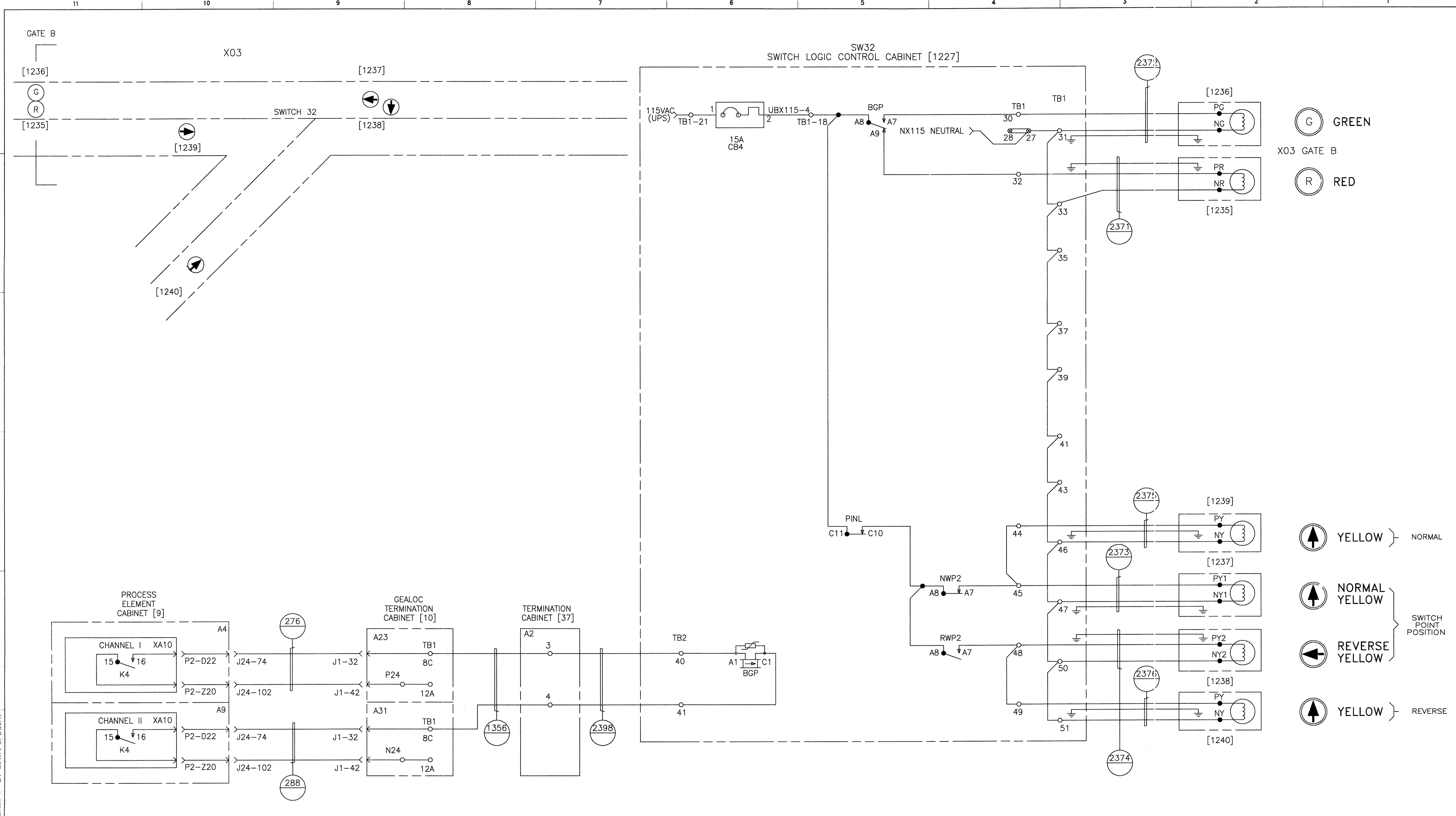


TRAFFIC SIGNAL SWITCH NO. 31  
AND GATE A

PROPRIETARY INFORMATION - SEE SHEET 1

AutoCAD

GEOMETRIC CHARACTERISTIC SYMBOLS		DFTM. DATE		BOMBARDIER	
FLATNESS		R.ANDERSON	4-11-02	HOUSTON PHASE 2	
STRAIGHTNESS		CHKR.		WAYSIDE SYSTEM SCHEMATIC	
ROUNDNESS (CIRCULARITY)		ENGRG.		DIMENSIONS IN INCHES	
CYLINDRICITY		R.KORTYNA		SIZE	DWG. NO. 6D61054
PROFILE OF ANY LINE		MFG.		SCALE	NONE WT.
PROFILE OF ANY SURFACE		APPD.		SHEET	90
PARALLELISM		DFTG. SU PV.		REV.	7
PERPENDICULARITY (SQUARENESS)		J.CARNEVALE			
ANGULARITY					
RUNOUT					
TRUE POSITION					
CONCENTRICITY					
SYMMETRY					
MAXIMUM MATERIAL CONDITION (MMC)					
REGARDLESS OF FEATURE SIZE					



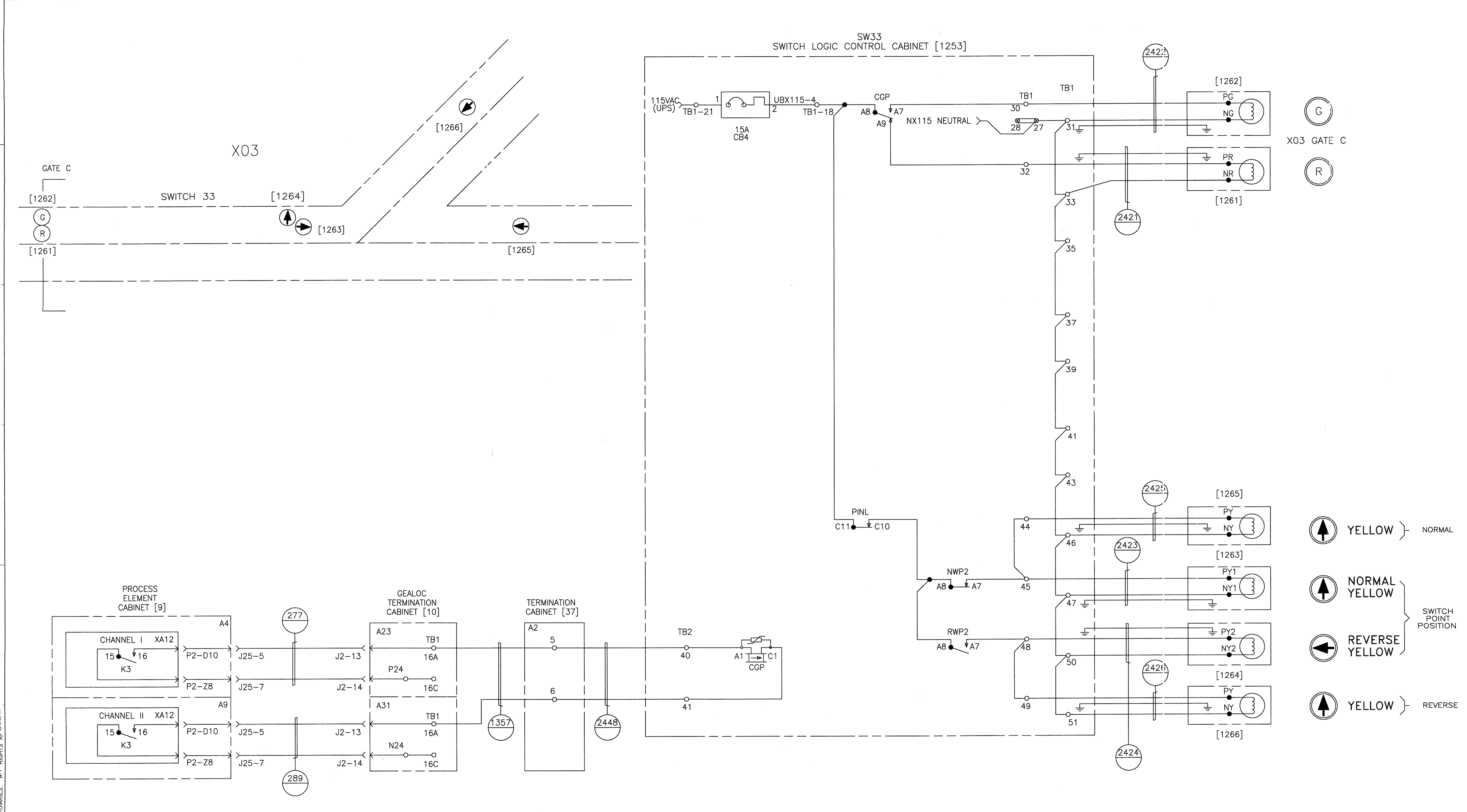
- (G) GREEN
- (R) RED
- (↑) YELLOW } NORMAL
- (↑) NORMAL YELLOW } SWITCH POINT POSITION
- (←) REVERSE YELLOW } SWITCH POINT POSITION
- (↑) YELLOW } REVERSE

TRAFFIC SIGNAL SWITCH NO. 32  
AND GATE B

PROPRIETARY INFORMATION - SEE SHEET 1

AutoCAD

GEOMETRIC CHARACTERISTIC SYMBOLS		DFTM. DATE		BOMBARDIER	
FLATNESS	—/—	R.ANDERSON	4-11-02	HOUSTON PHASE 2	
STRAIGHTNESS	—/—	CHKR.		WAYSIDE SYSTEM SCHEMATIC	
ROUNDNESS (CIRCULARITY)	○	ENGRG.	R.KORTYNA	DIMENSIONS IN INCHES	
CYLINDRICITY	○	MFG.		SIZE	DWG. NO. 6D61054
PROFILE OF ANY LINE	—/—	APPD.		SCALE	NONE
PROFILE OF ANY SURFACE	—/—			WT.	
PARALLELISM	—/—			SHEET	91
PERPENDICULARITY (SQUARENESS)	⊥				
ANGULARITY	∠				
RUNOUT	—/—				
TRUE POSITION	⊕				
CONCENTRICITY	⊕				
SYMMETRY	⊕				
MAXIMUM MATERIAL CONDITION (MMC)	Ⓜ				
REGARDLESS OF FEATURE SIZE	Ⓜ				

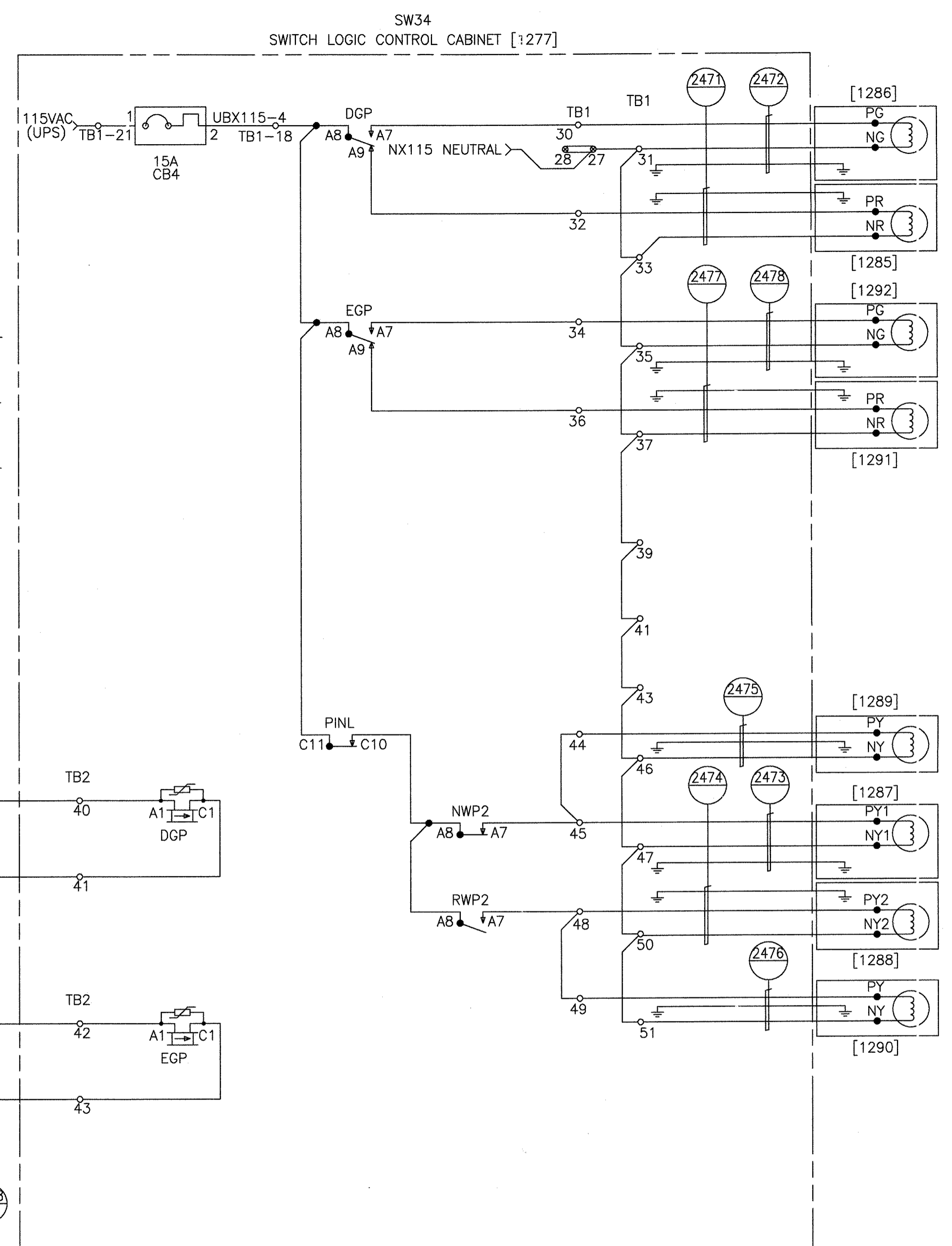
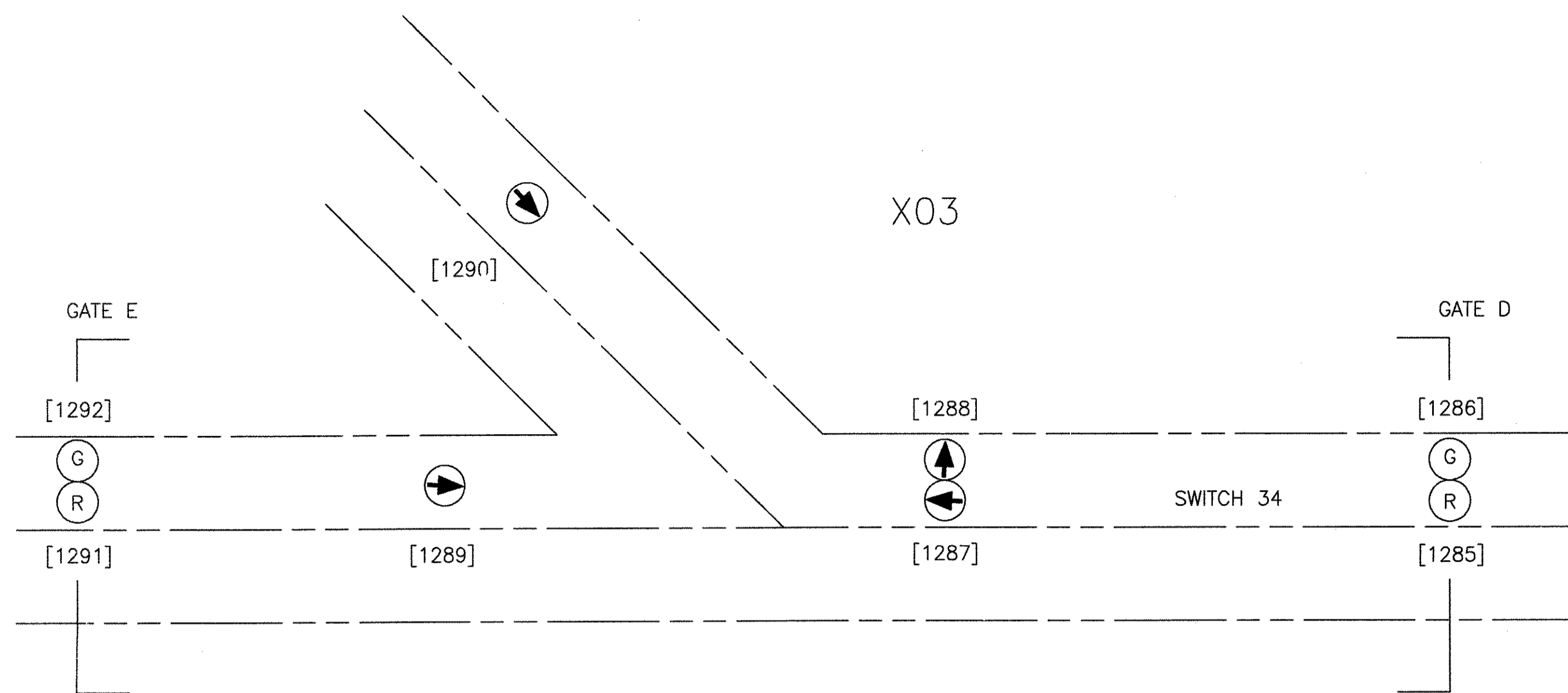


TRAFFIC SIGNAL SWITCH NO. 33  
AND GATE C

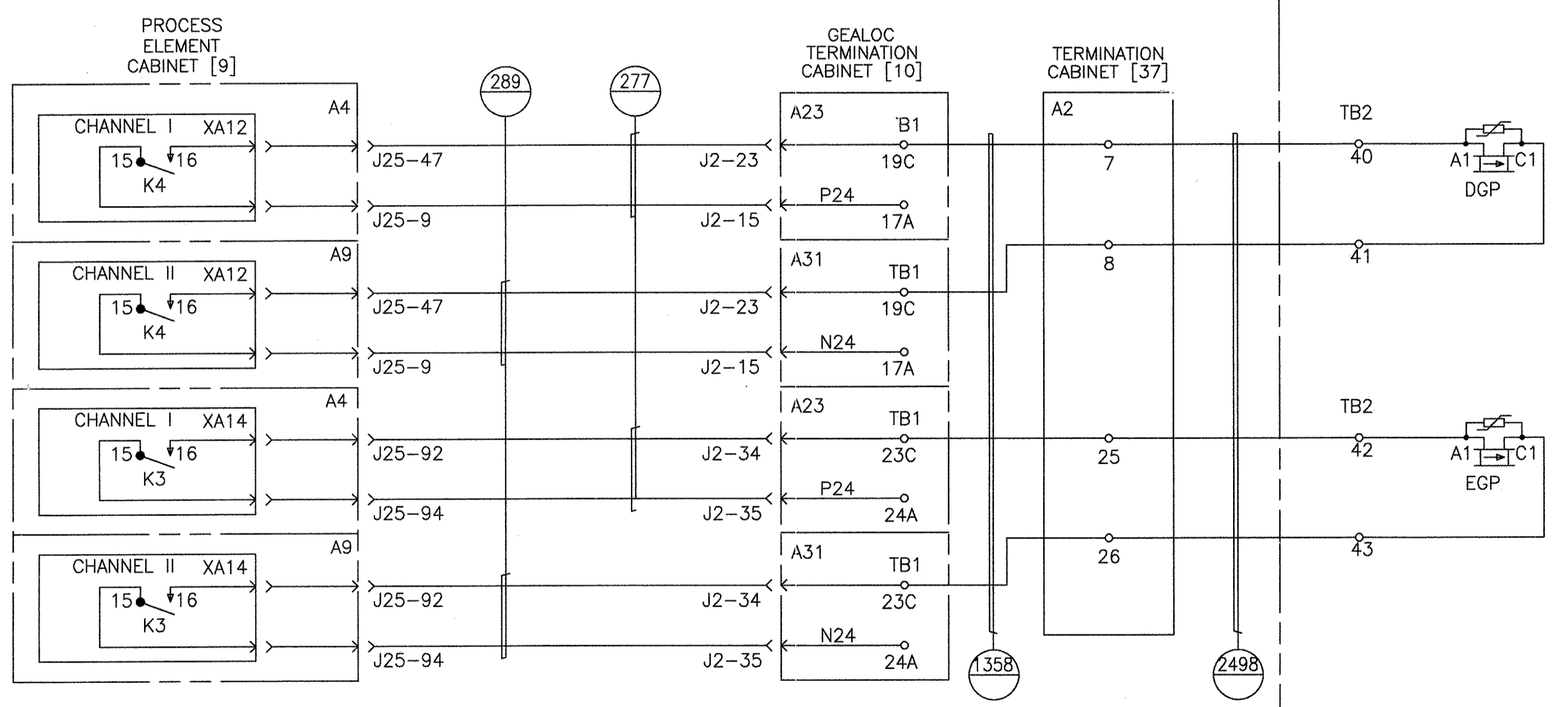
PROPRIETARY INFORMATION - SEE SHEET 1

AutoCAD

<b>GEOMETRIC CHARACTERISTIC SYMBOLS</b> FLATNESS STRAIGHTNESS ROUNDNESS (CIRCULARITY) CYLINDRICITY PROFILE OF ANY LINE PROFILE OF ANY SURFACE PARALLELISM PERPENDICULARITY (SQUARENESS) ANGULARITY RUNOUT TRUE POSITION CONCENTRICITY SYMMETRY MAXIMUM MATERIAL CONDITION (MMC) REGARDLESS OF FEATURE SIZE		DFTM. R.ANDERSON 4-11-02 CHKR. ENGRG. R.KORIYNA MFG. APPD. DFTG. SU-IV. J.CARIEVALE	DATE 4-11-02 <b>BOMBARDIER</b> TITLE HOUSTON PHASE 2 WAYSIDE SYSTEM SCHEMATIC DIMENSIONS IN INCHES SIZE D DWG. NO. 6D61054 REV. 7 SCALE NONE WT. SHEET 92
---	--	--	---



- (G) GREEN
- (R) RED
- (G) GREEN
- (R) RED
- (↑) YELLOW } NORMAL
- (↑) NORMAL YELLOW } SWITCH POINT POSITION
- (→) REVERSE YELLOW }
- (↑) YELLOW } REVERSE



TRAFFIC SIGNAL SWITCH NO. 34  
AND GATES D AND E

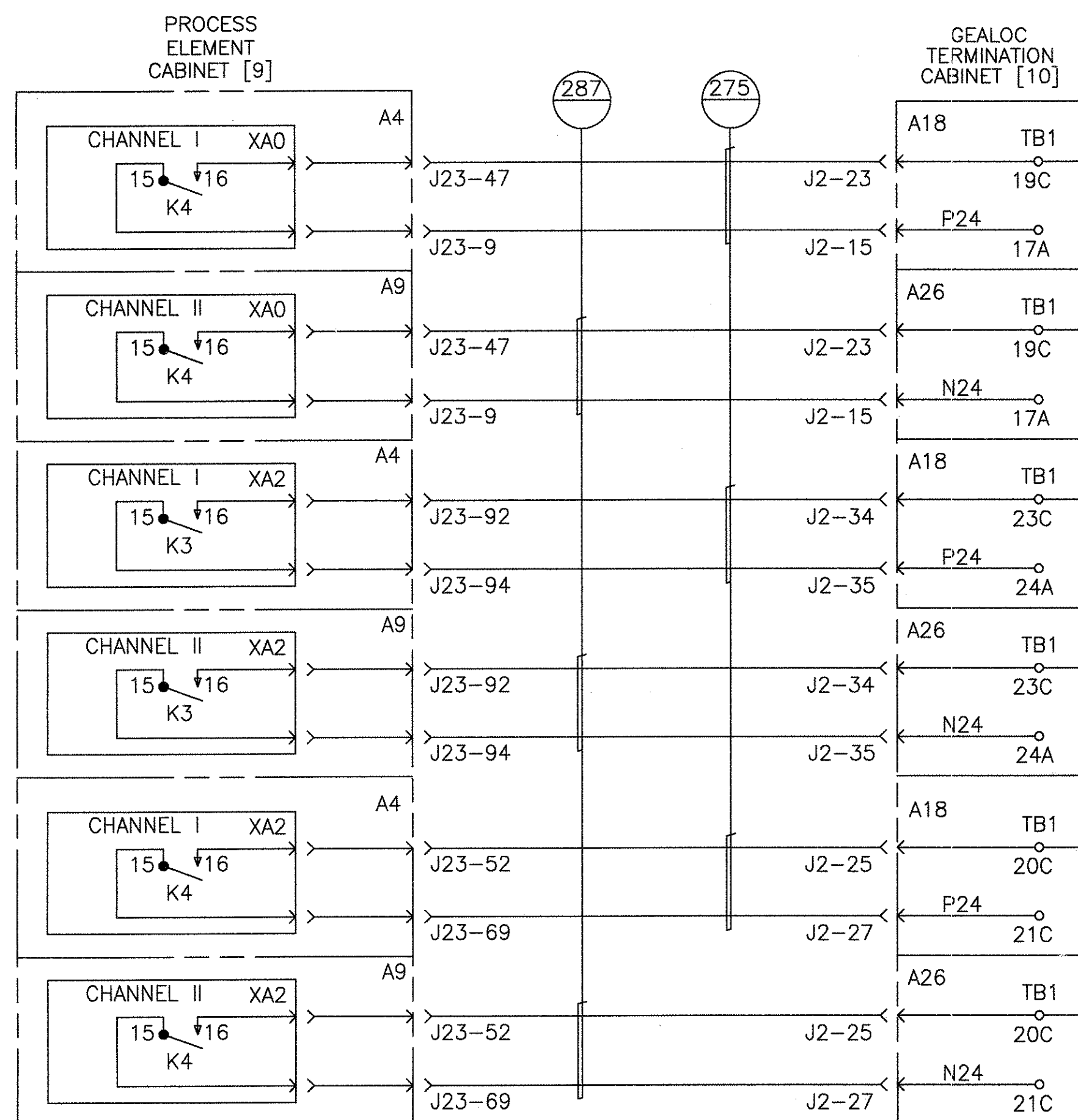
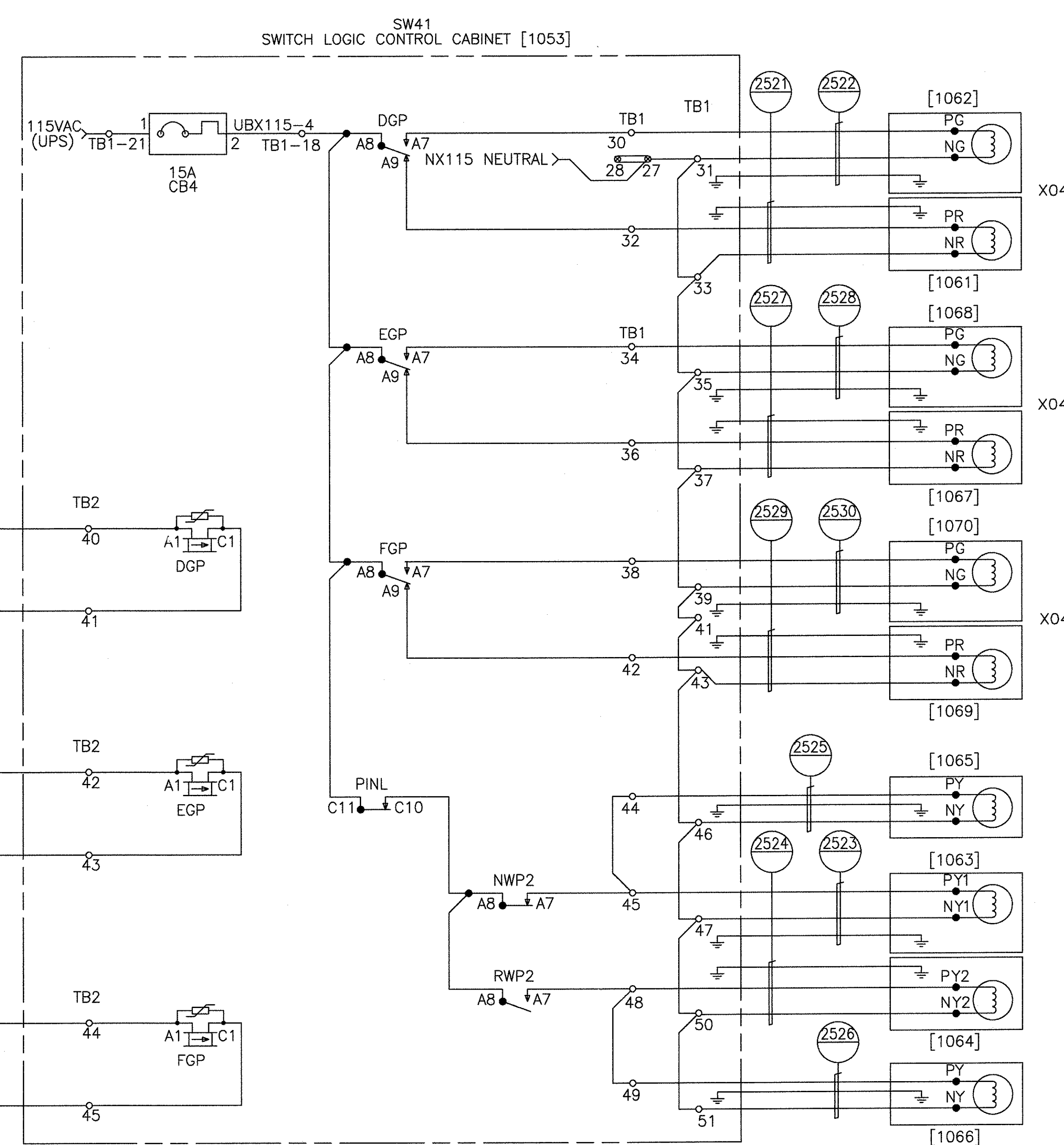
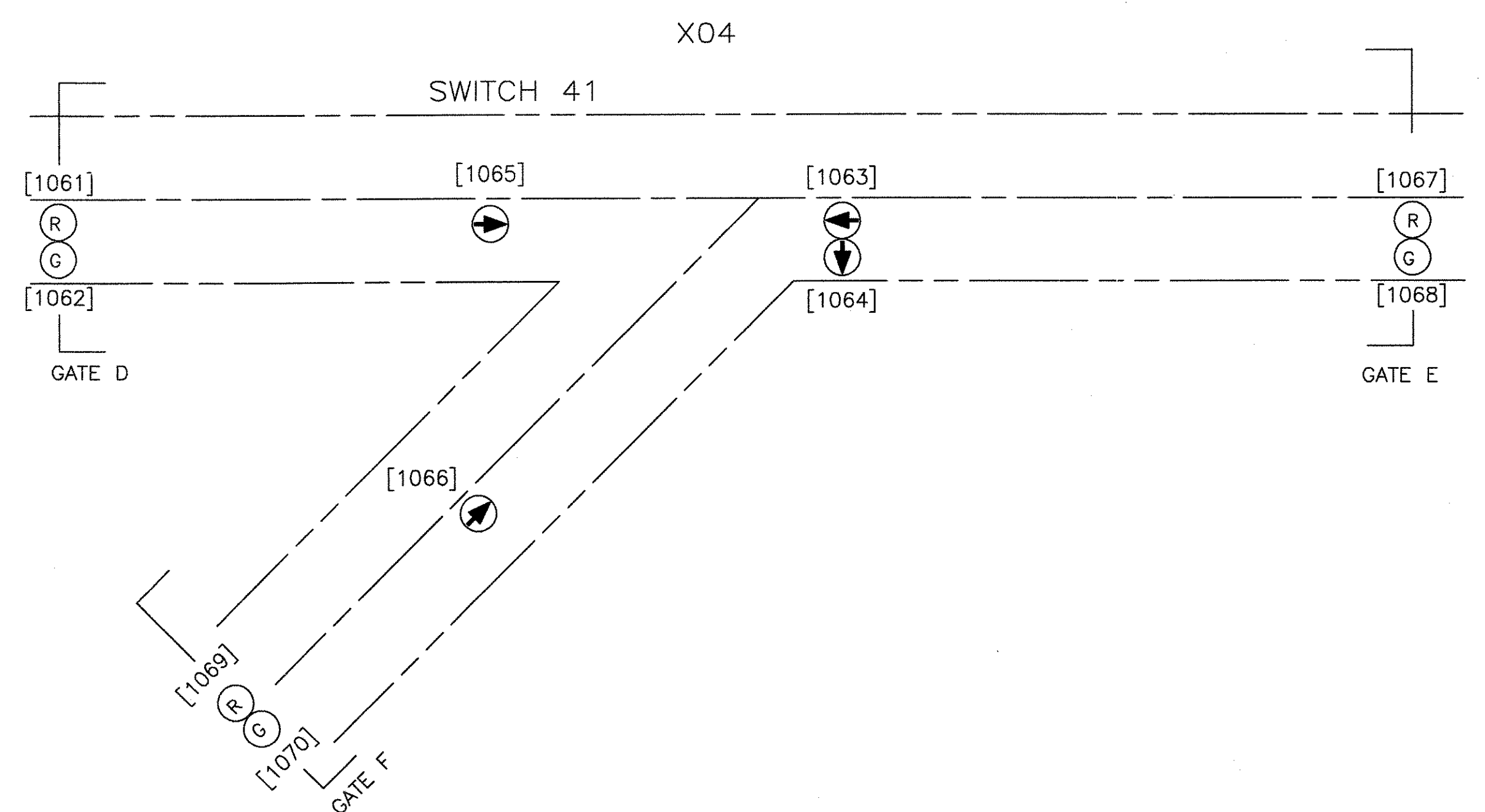
PROPRIETARY INFORMATION - SEE SHEET 1

AutoCAD

GEOMETRIC CHARACTERISTIC SYMBOLS	
FLATNESS	—
STRAIGHTNESS	—
ROUNDNESS (CIRCULARITY)	○
CYLINDRICITY	○
PROFILE OF ANY LINE	—
PROFILE OF ANY SURFACE	—
PARALLELISM	—
PERPENDICULARITY (SQUARENESS)	—
ANGULARITY	—
RUNOUT	—
TRUE POSITION	—
CONCENTRICITY	—
SYMMETRY	—
MAXIMUM MATERIAL CONDITION (MMC)	—
REGARDLESS OF FEATURE SIZE	—

DFTM.	DATE
R.ANDERSON	4-11-02
ENGRG.	R.KORTYNA
MFG.	
APPD.	
DFTG. SU-IV.	J.CARNEVALE

BOMBARDIER	
TITLE HOUSTON PHASE 2 WAYSIDE SYSTEM SCHEMATIC	
DIMENSIONS IN INCHES	
SIZE D	DWG. NO. 6D61054
SCALE NONE	WT. SHEET 93
REV. 7	



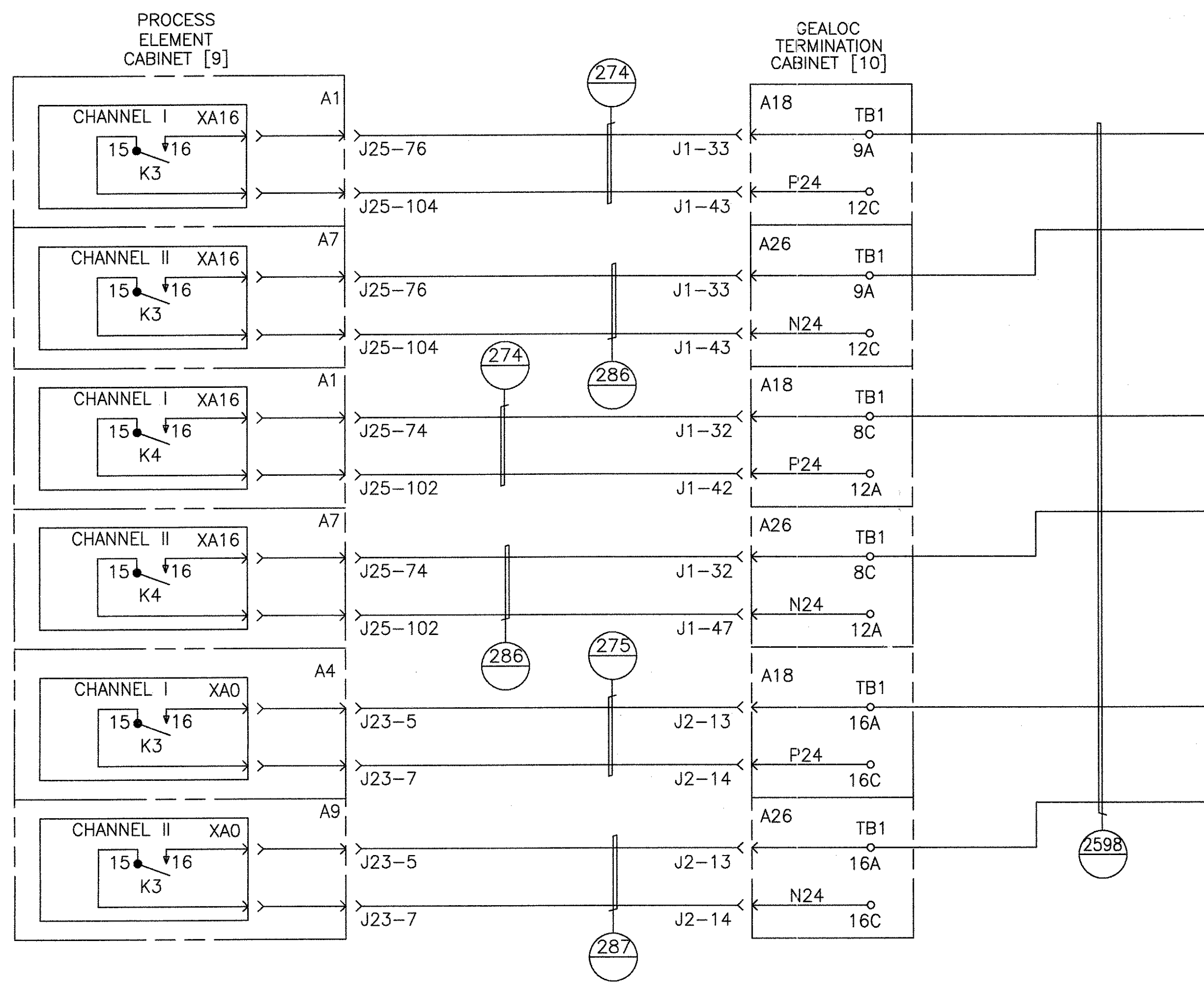
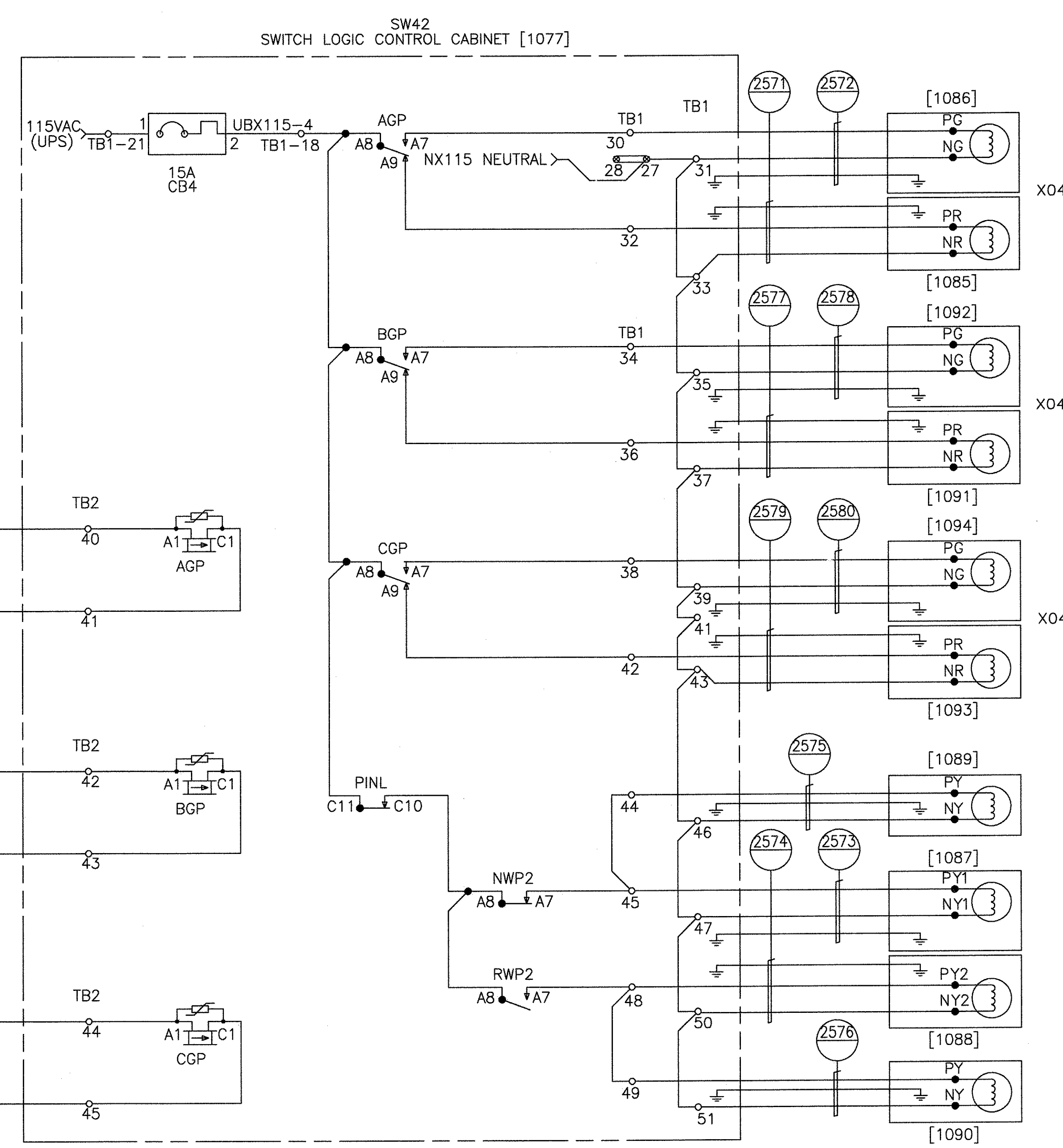
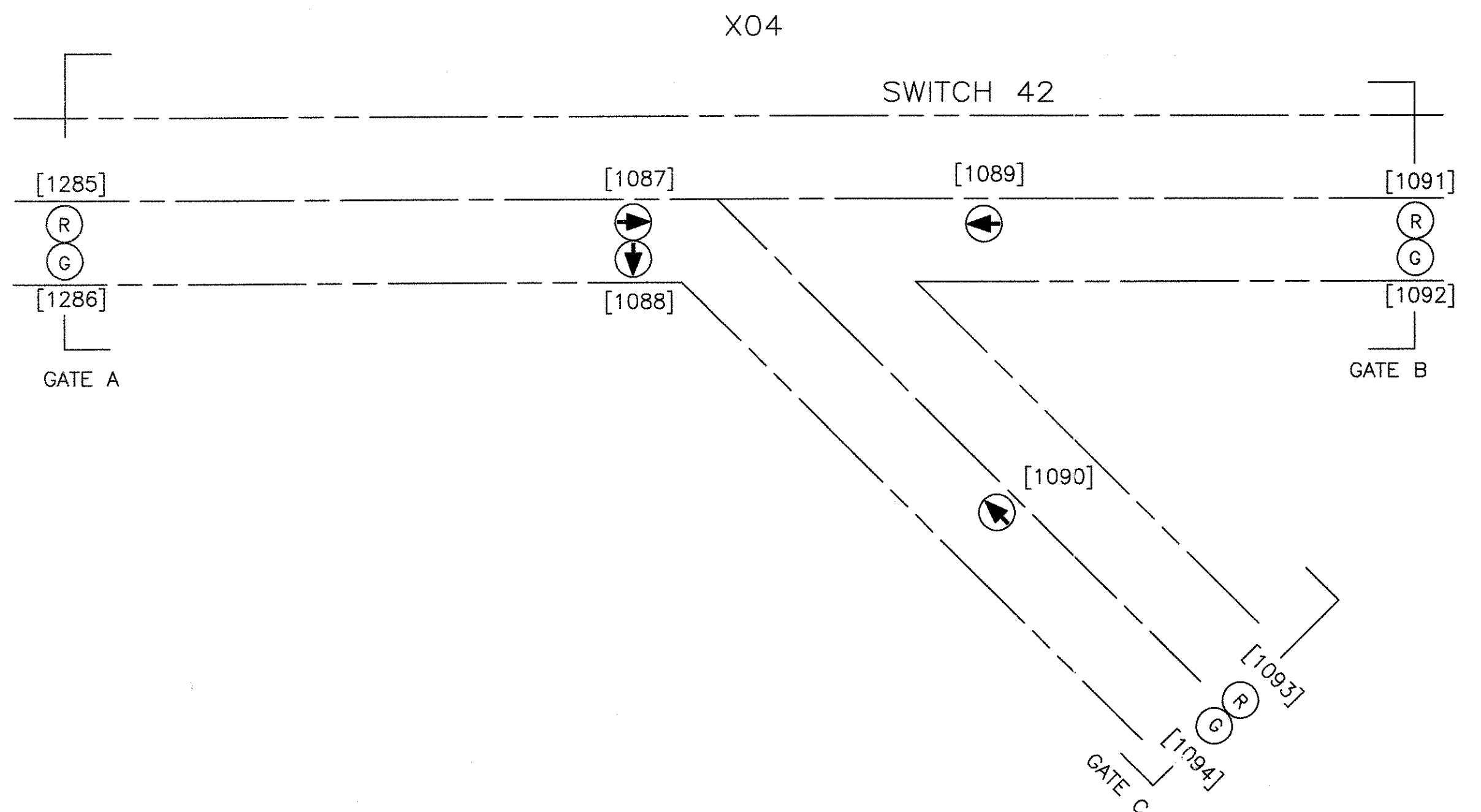
- (G) GREEN
- (R) RED
- (G) GREEN
- (R) RED
- (G) GREEN
- (R) RED
- (G) GREEN
- (R) RED
- (↑) YELLOW } NORMAL
- (↑) NORMAL YELLOW } SWITCH POINT POSITION
- (←) REVERSE YELLOW } SWITCH POINT POSITION
- (↑) YELLOW } REVERSE

GEALOC TRAFFIC SIGNAL LIGHTING FOR SWITCH NO. 41  
AND HOLDOUT GATES D, E AND F

PROPRIETARY INFORMATION - SEE SHEET 1

AutoCAD

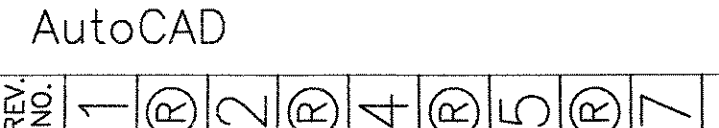
<b>GEOMETRIC CHARACTERISTIC SYMBOLS</b> FLATNESS ———— STRAIGHTNESS ———— ROUNDNESS (CIRCULARITY) ———— CYLINDRICITY ———— PROFILE OF ANY LINE ———— PROFILE OF ANY SURFACE ———— PARALLELISM ———— PERPENDICULARITY (SQUARENESS) ———— ANGULARITY ———— RUNOUT ———— TRUE POSITION ———— CONCENTRICITY ———— SYMMETRY ———— MAXIMUM MATERIAL CONDITION (MMC) ———— REGARDLESS OF FEATURE SIZE ————		DFTM. R.ANDERSON 4-11-02 ENGRG. R.KORIYNA MFG. APPD. DFTG. SU.PV. J.CARNEVALE	DATE 4-11-02 <b>BOMBARDIER</b> TITLE HOUSTON PHASE 2 WAYSIDE SYSTEM SCHEMATIC DIMENSIONS IN INCHES SIZE D DWG. NO. 6D61054 REV. 7 SCALE NONE WT. SHEET 94
--	--	---	---



- (G) GREEN
- (R) RED
- (G) GREEN
- (R) RED
- (G) GREEN
- (R) RED
- (G) GREEN
- (R) RED
- (↑) YELLOW } NORMAL
- (↑) NORMAL YELLOW } SWITCH POINT POSITION
- (→) REVERSE YELLOW
- (↑) YELLOW } REVERSE

GEALOC TRAFFIC SIGNAL LIGHTING FOR SWITCH NO. 42  
AND HOLDOUT GATES A, B AND C

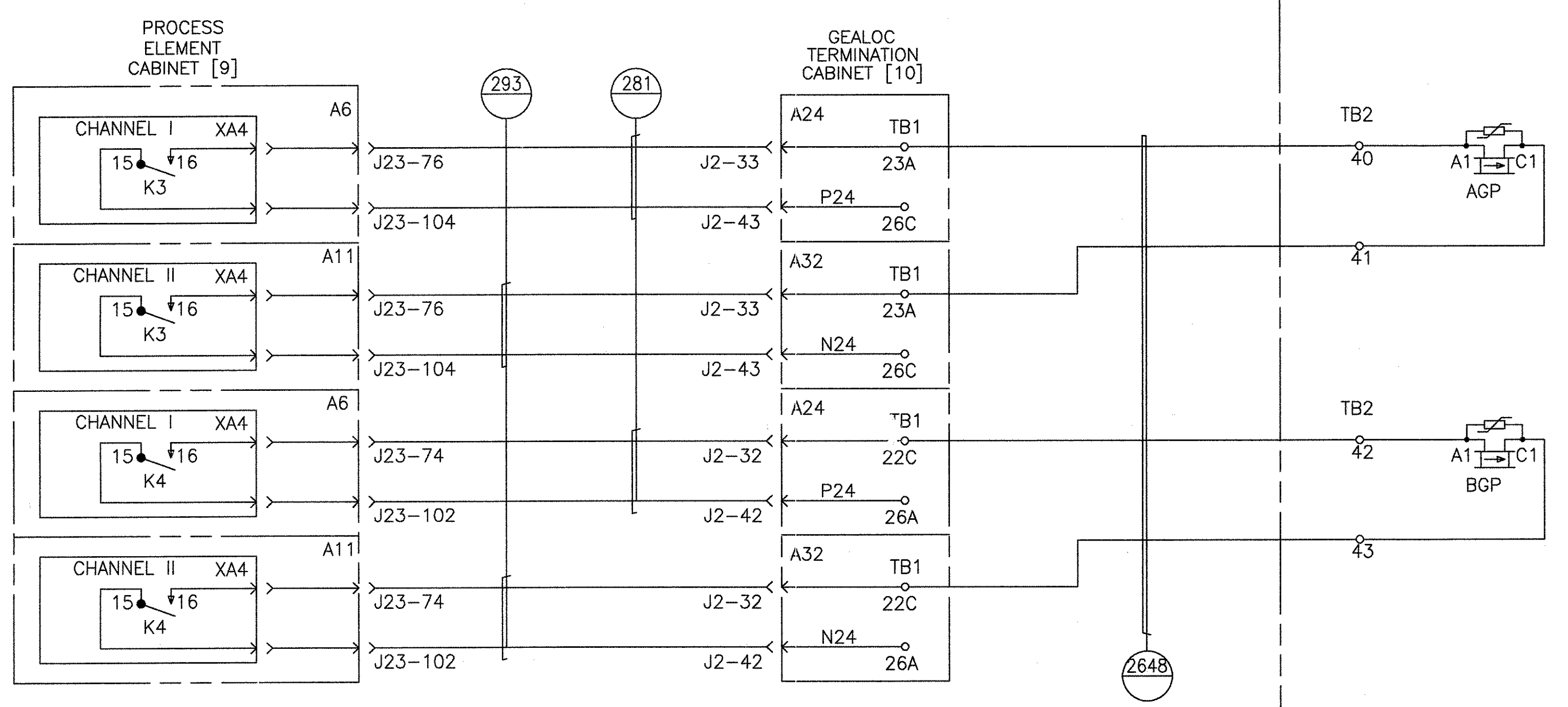
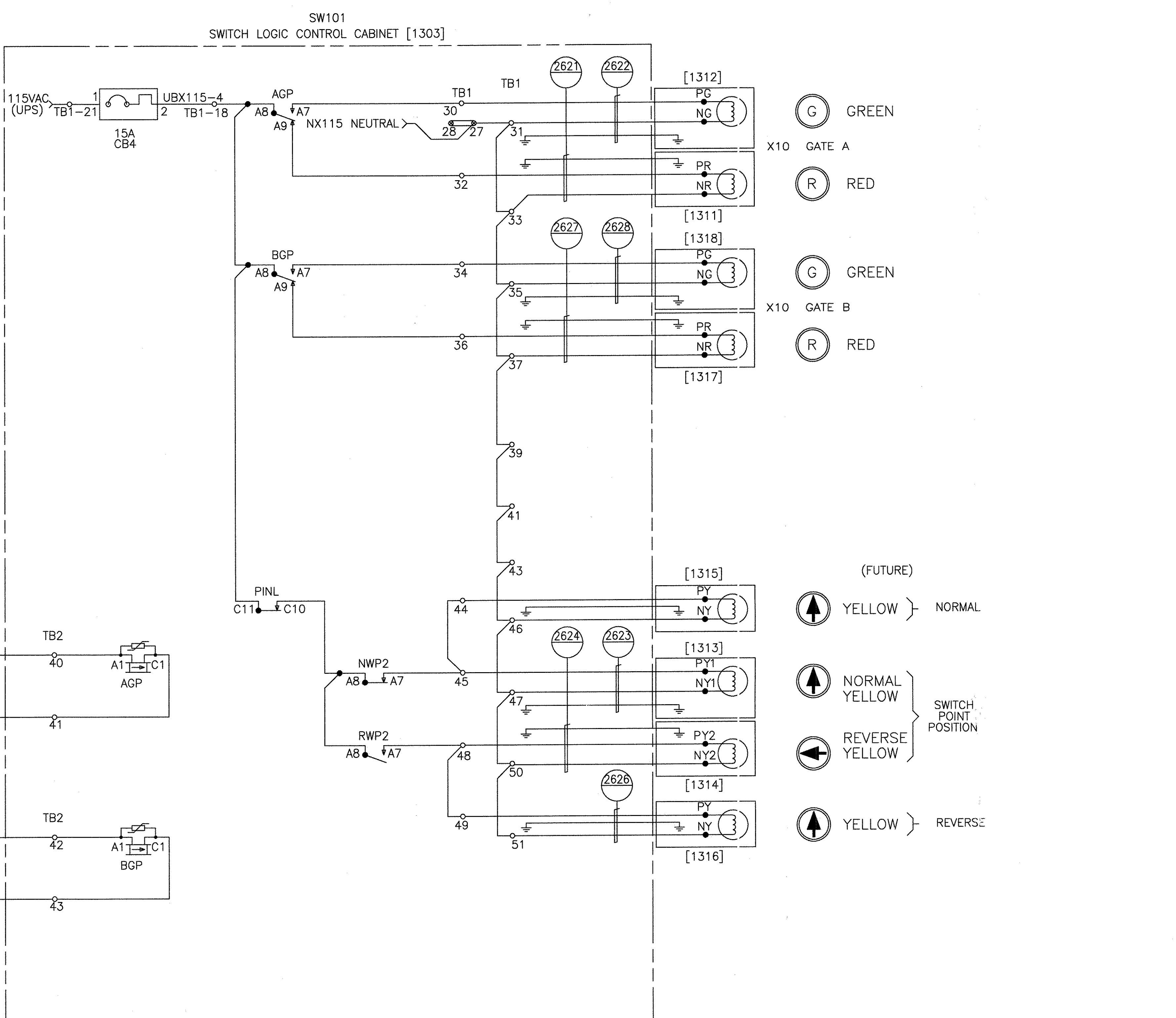
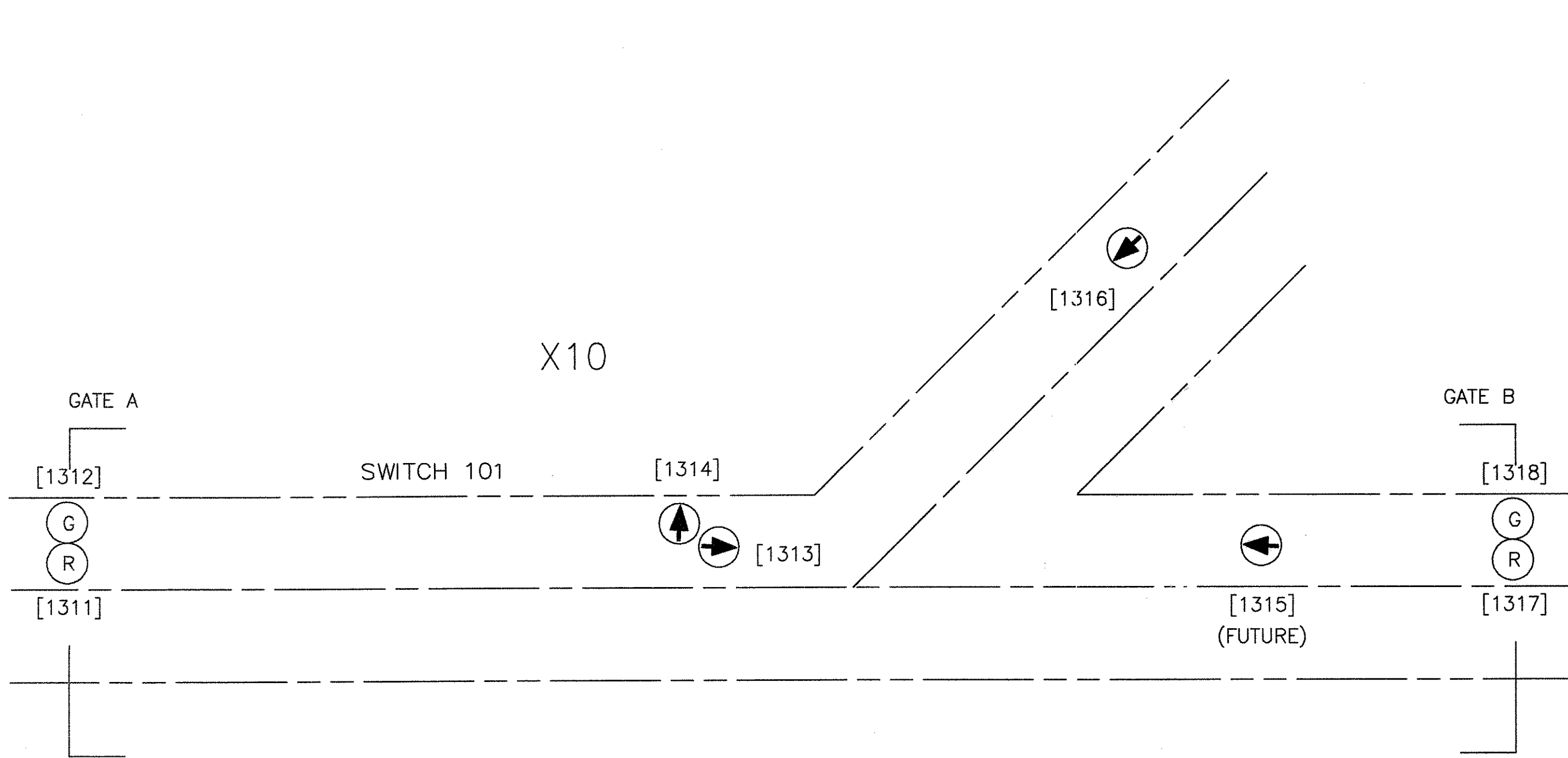
PROPRIETARY INFORMATION - SEE SHEET 1



GEOMETRIC CHARACTERISTIC SYMBOLS		DFTM. DATE		BOMBARDIER	
FLATNESS	—	R.ANDERSON	4-11-02	HOUSTON PHASE 2	
STRAIGHTNESS	—	CHKR.		WAYSIDE SYSTEM SCHEMATIC	
ROUNDNESS (CIRCULARITY)	—	ENGRG.	R.KORIYNA	DIMENSIONS IN INCHES	
CYLINDRICITY	—	MFG.		SIZE	DWG. NO. 6D61054
PROFILE OF ANY LINE	—	APPD.		SCALE	NONE
PROFILE OF ANY SURFACE	—	DFTG. SUPV.	J.CARIEVALE	WT.	SHEET 95
PARALLELISM	—			REV.	7
PERPENDICULARITY (SQUARENESS)	—				
ANGULARITY	—				
RUNOUT	—				
TRUE POSITION	—				
CONCENTRICITY	—				
SYMMETRY	—				
MAXIMUM MATERIAL CONDITION (MMC)	—				
REGARDLESS OF FEATURE SIZE	—				



F  
E  
D  
C  
B  
A



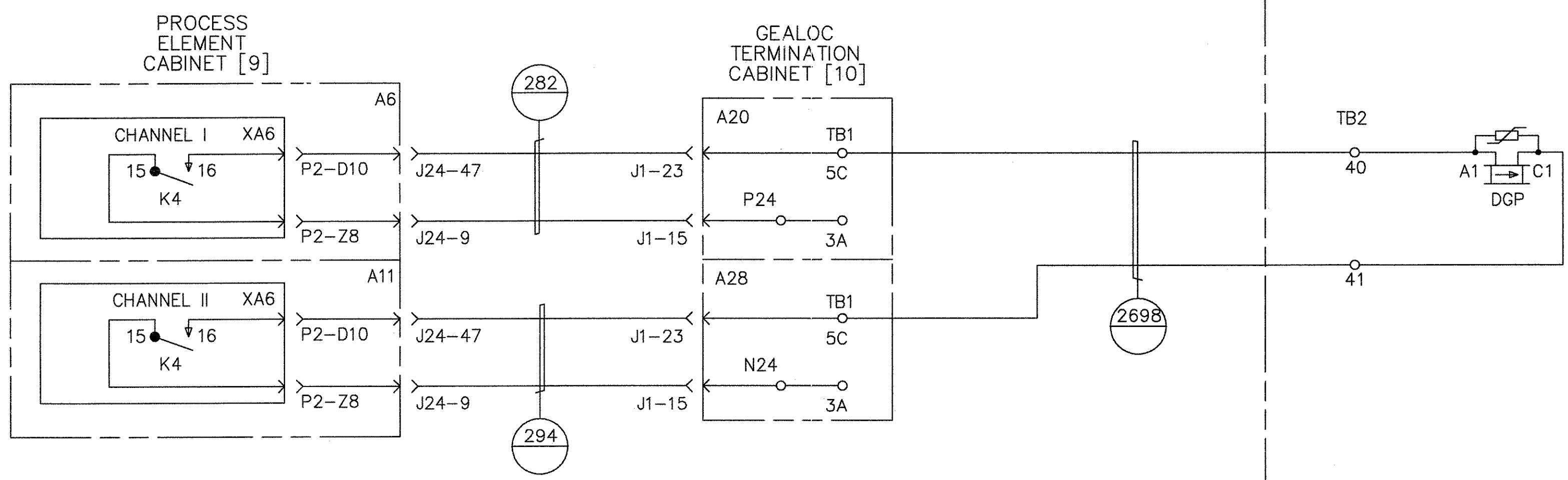
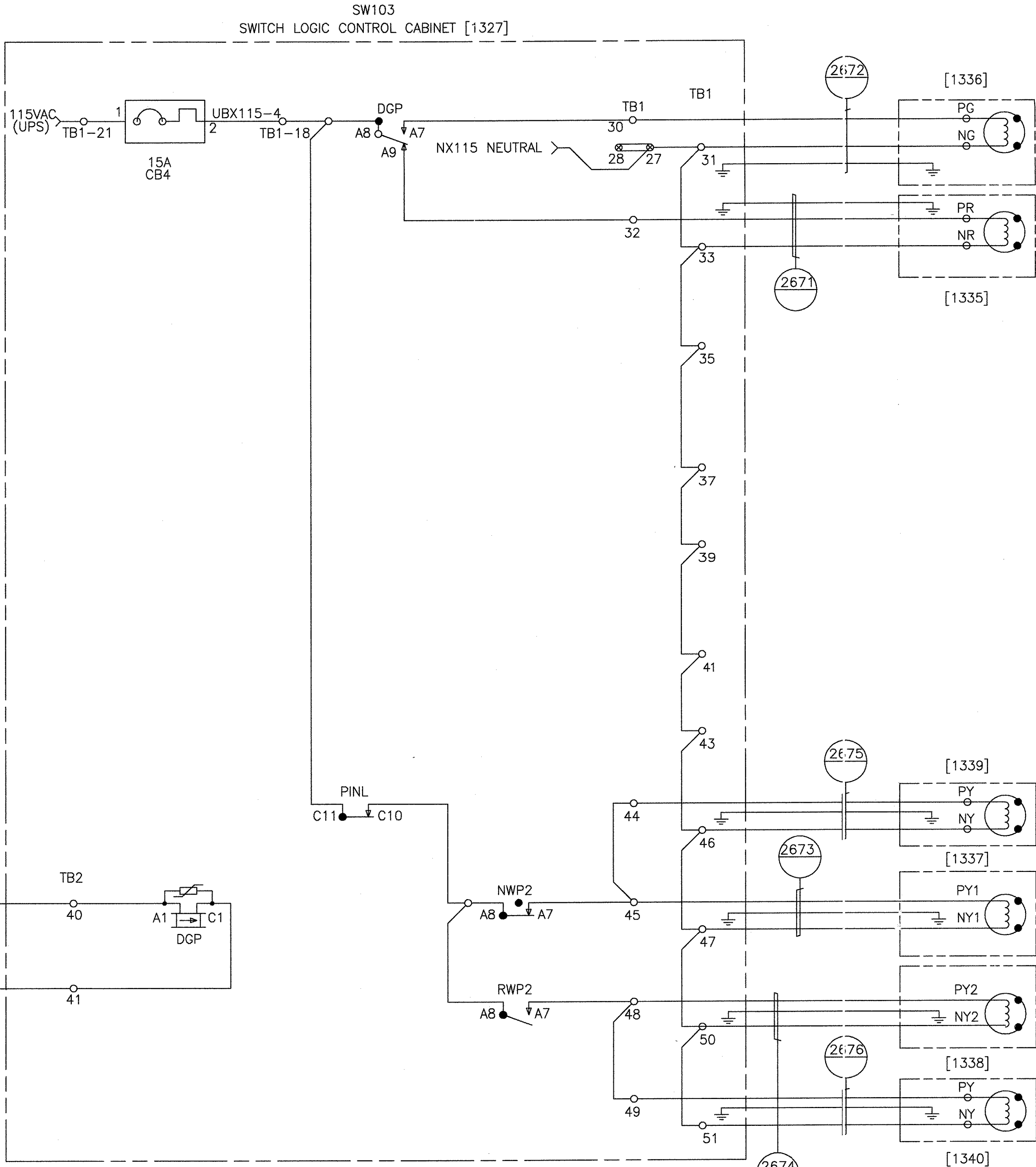
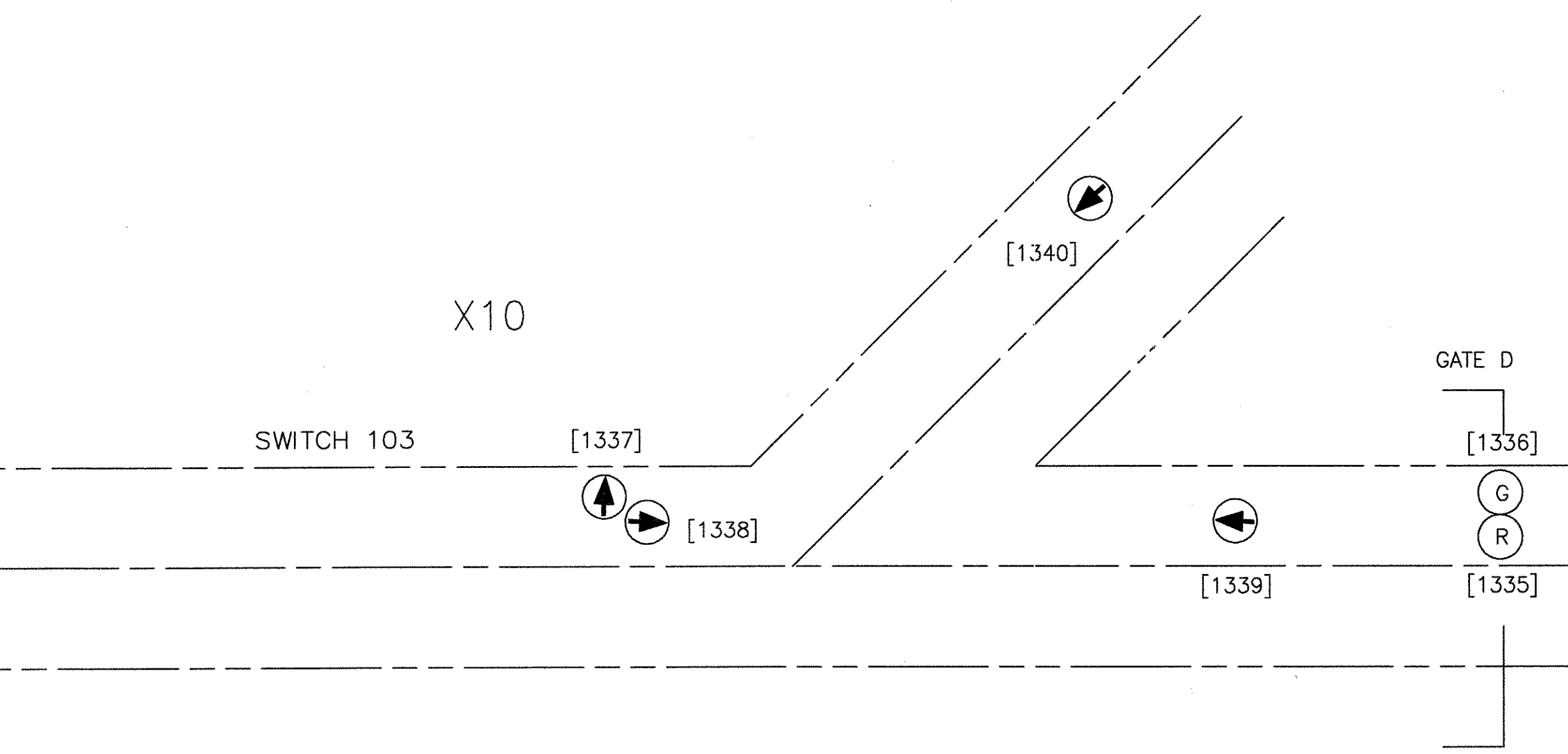
- (G) GREEN
  - (R) RED
  - (G) GREEN
  - (R) RED
  - (FUTURE)
  - (YELLOW) NORMAL
  - (NORMAL YELLOW)
  - (REVERSE YELLOW)
  - (YELLOW) REVERSE
- SWITCH POINT POSITION

TRAFFIC SIGNAL SWITCH NO. 101  
AND GATES A AND B

PROPRIETARY INFORMATION - SEE SHEET 1

AutoCAD

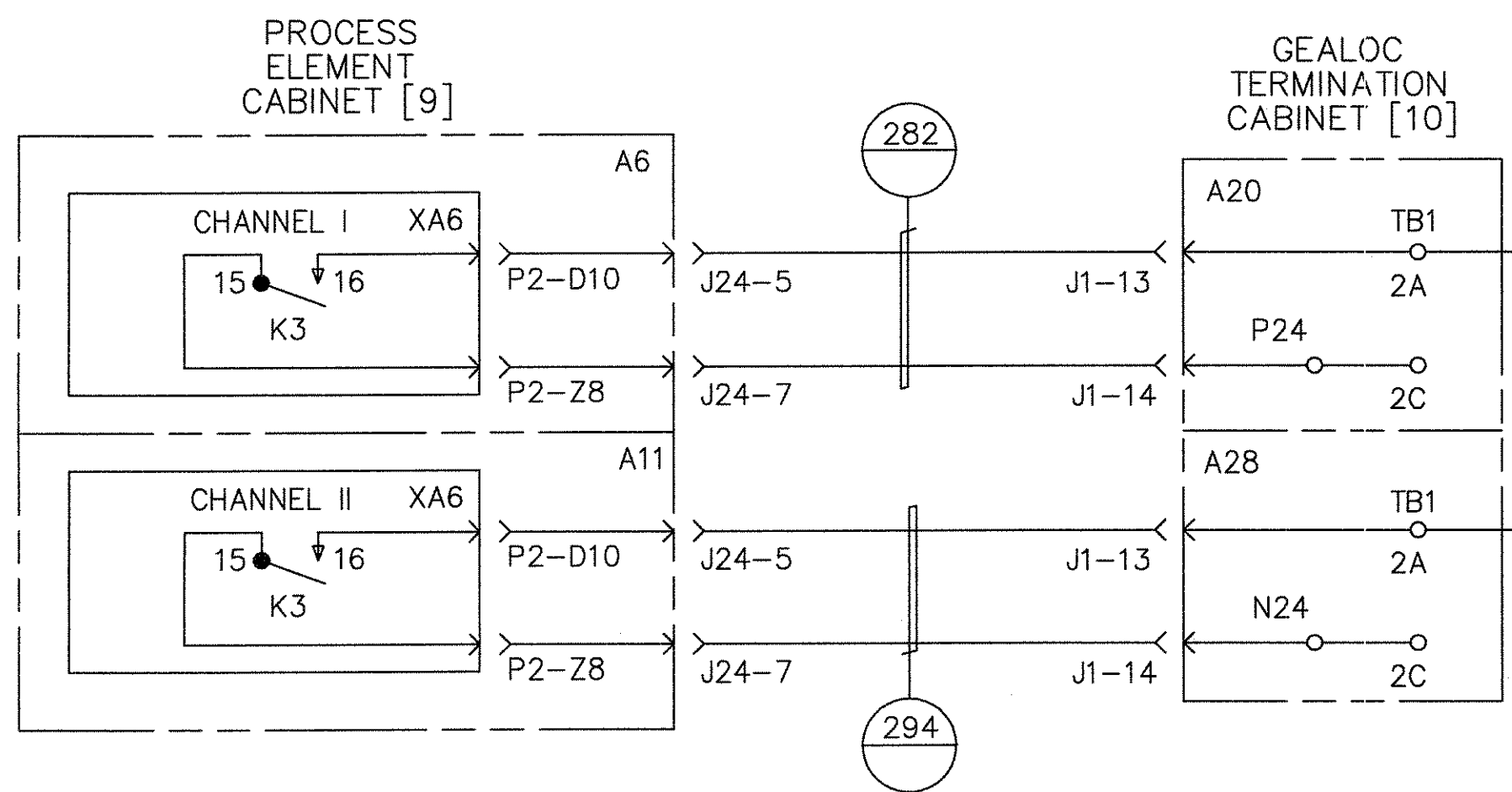
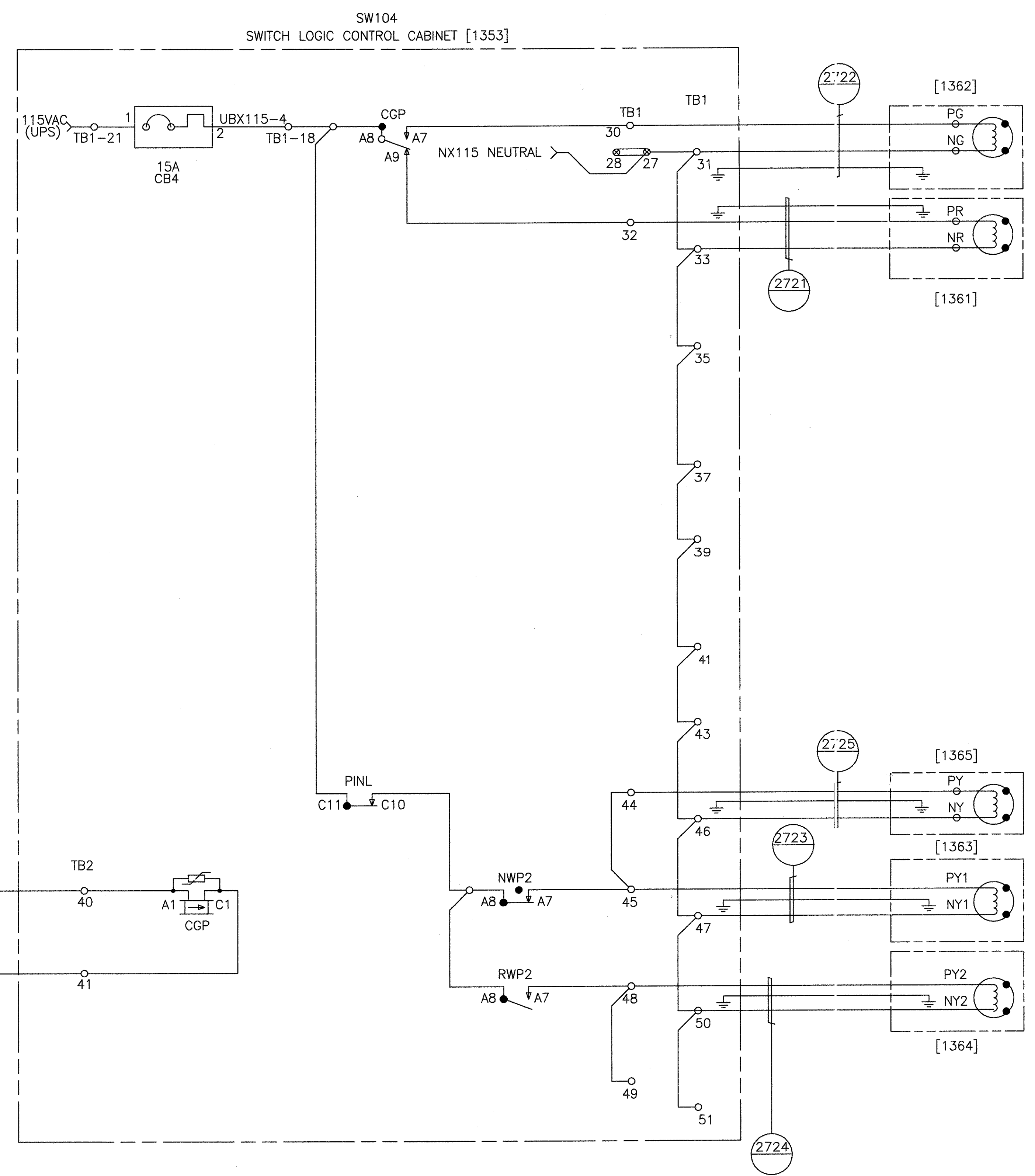
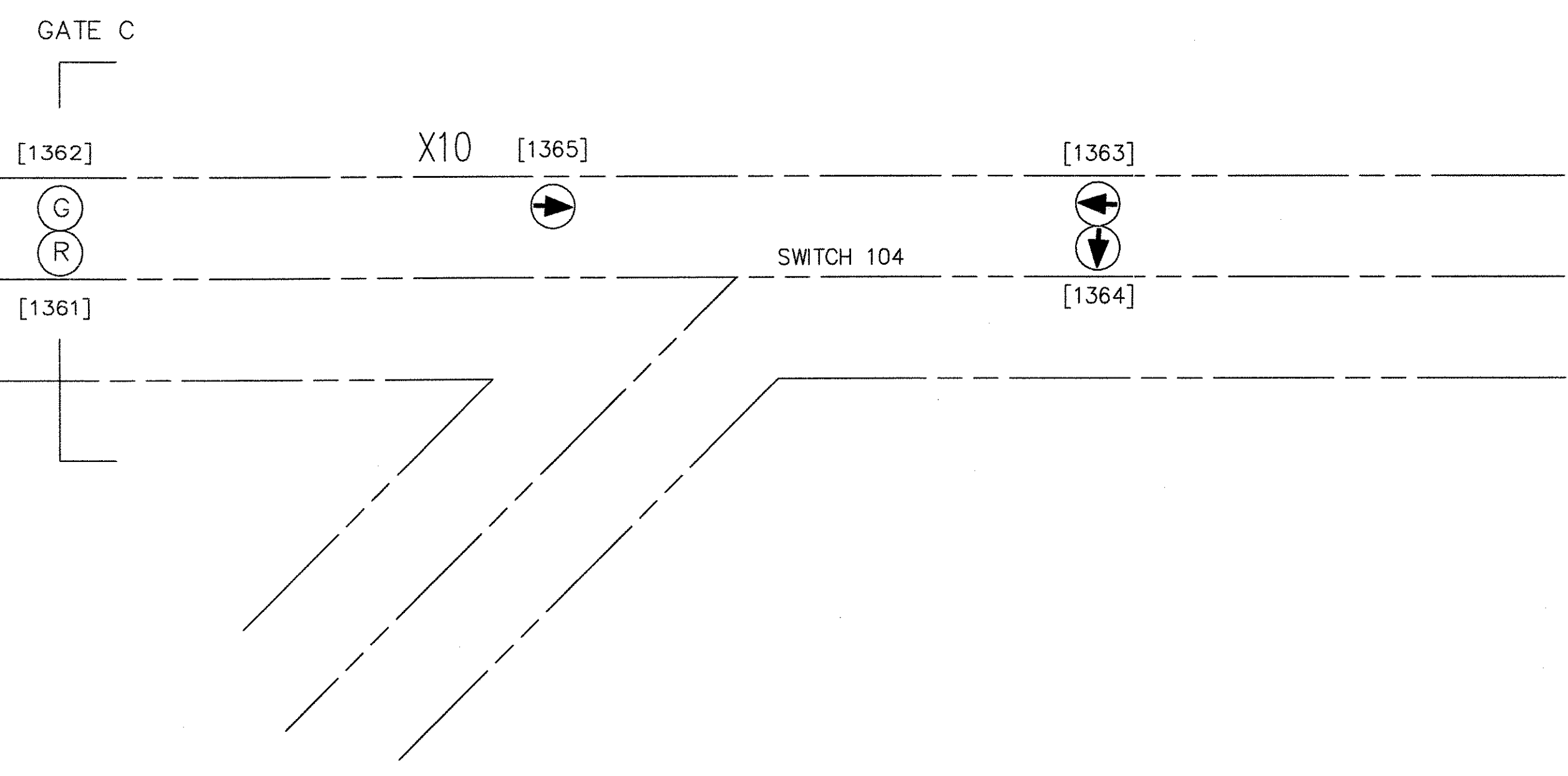
GEOMETRIC CHARACTERISTIC SYMBOLS		DFTM. DATE		BOMBARDIER	
FLATNESS	▭	R.ANDERSON	4-11-02	HOUSTON PHASE 2	
STRAIGHTNESS	—	ENGRG.	R.KORIYNA	WAYSIDE SYSTEM SCHEMATIC	
ROUNDNESS (CIRCULARITY)	○	MFG.		DIMENSIONS IN INCHES	
CYLINDRICITY	○	APPD.		SIZE	DWS. NO.
PROFILE OF ANY LINE	—			D	6D61054
PROFILE OF ANY SURFACE	—			SCALE	NONE
PARALLELISM	∥			WT.	
PERPENDICULARITY (SQUARENESS)	⊥			SHEET	96
ANGULARITY	∠			REV.	7
RUNOUT	↻				
TRUE POSITION	⊕				
CONCENTRICITY	⊙				
SYMMETRY	∩				
MAXIMUM MATERIAL CONDITION (MMC)	Ⓜ				
REGARDLESS OF FEATURE SIZE	Ⓛ				



TRAFFIC SIGNAL SWITCH NO. 103  
AND GATE D

PROPRIETARY INFORMATION - SEE SHEET 1

GEOMETRIC CHARACTERISTIC SYMBOLS		DFTM. DATE		BOMBARDIER	
FLATNESS	—/—	R.ANDERSON	4-11-02	HOUSTON PHASE 2	
STRAIGHTNESS	— —	CHKR.		WAYSIDE SYSTEM SCHEMATIC	
ROUNDNESS (CIRCULARITY)	○	ENGRG.		DIMENSIONS IN INCHES	
CYLINDRICITY	○	R.KORTYNA		SIZE	DWG. NO.
PROFILE OF ANY LINE	—/—	MFG.		D	6D61054
PROFILE OF ANY SURFACE	—/—	APPD.		SCALE	NONE
PARALLELISM		J.CARNEVALE		WT.	
PERPENDICULARITY (SQUARENESS)	⊥			SHEET	97
ANGULARITY	∠			REV.	7
RUNOUT	⊖				
TRUE POSITION	⊕				
CONCENTRICITY	⊙				
SYMMETRY	⊞				
MAXIMUM MATERIAL CONDITION (MMC)	Ⓜ				
REGARDLESS OF FEATURE SIZE	Ⓜ				



TRAFFIC SIGNAL SWITCH NO. 104  
AND GATE C

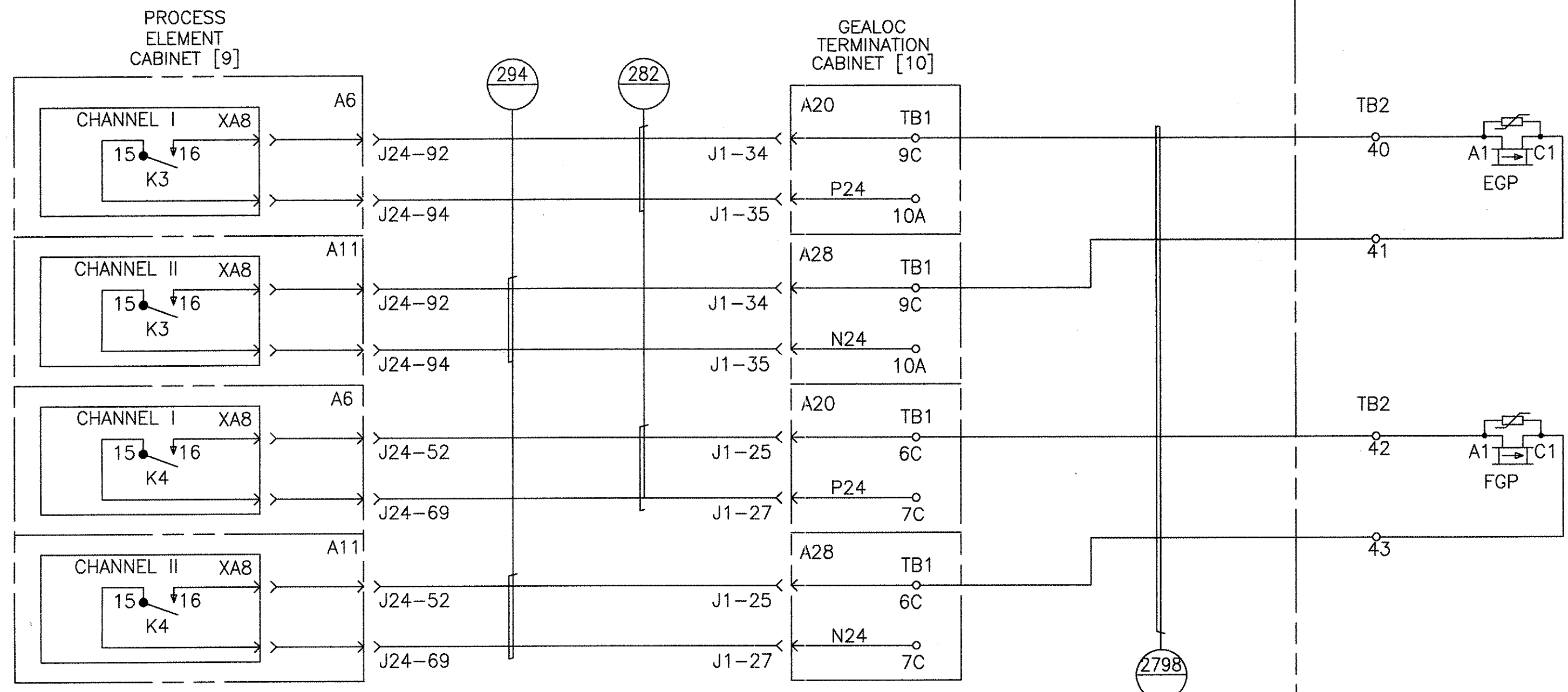
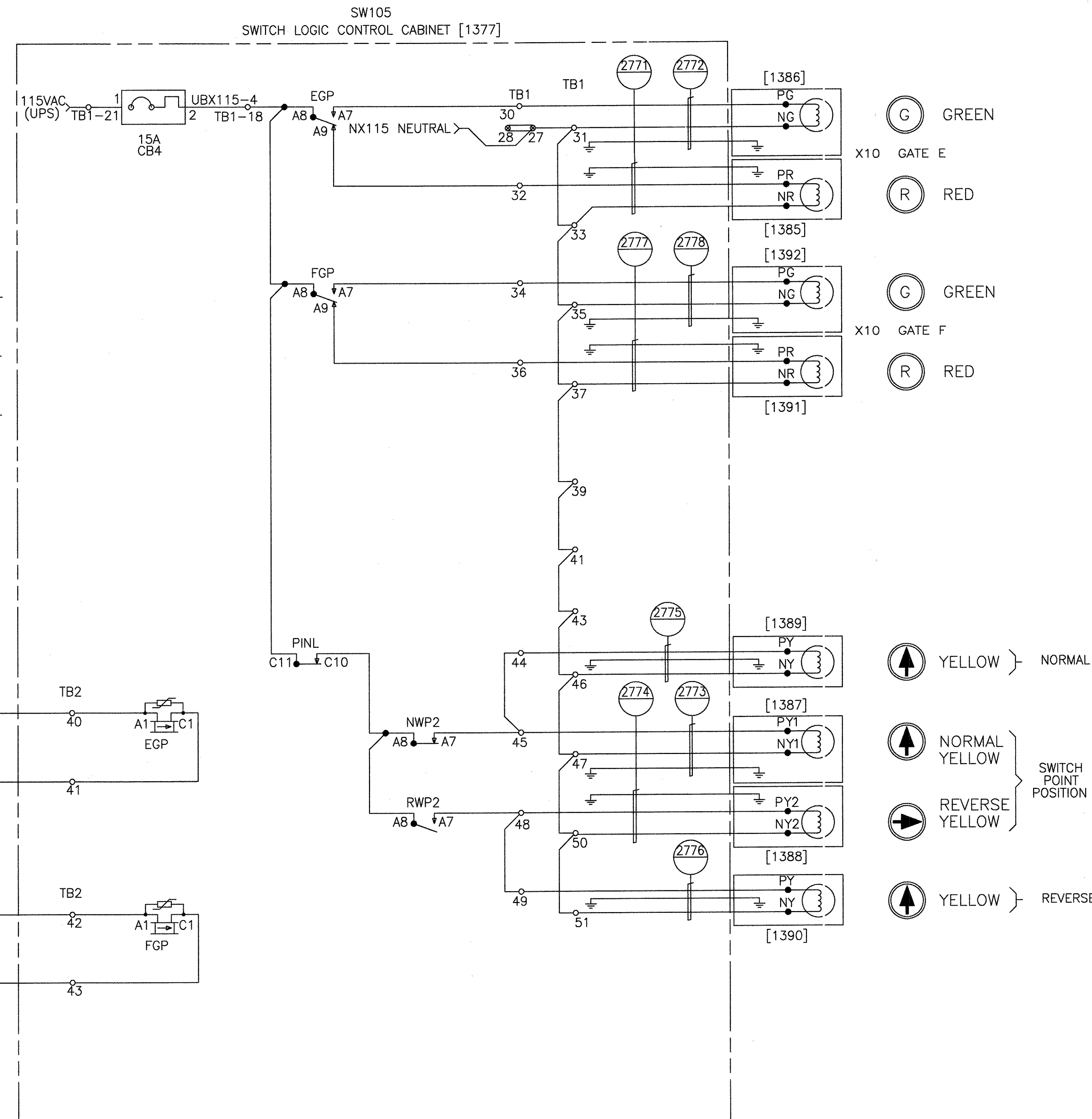
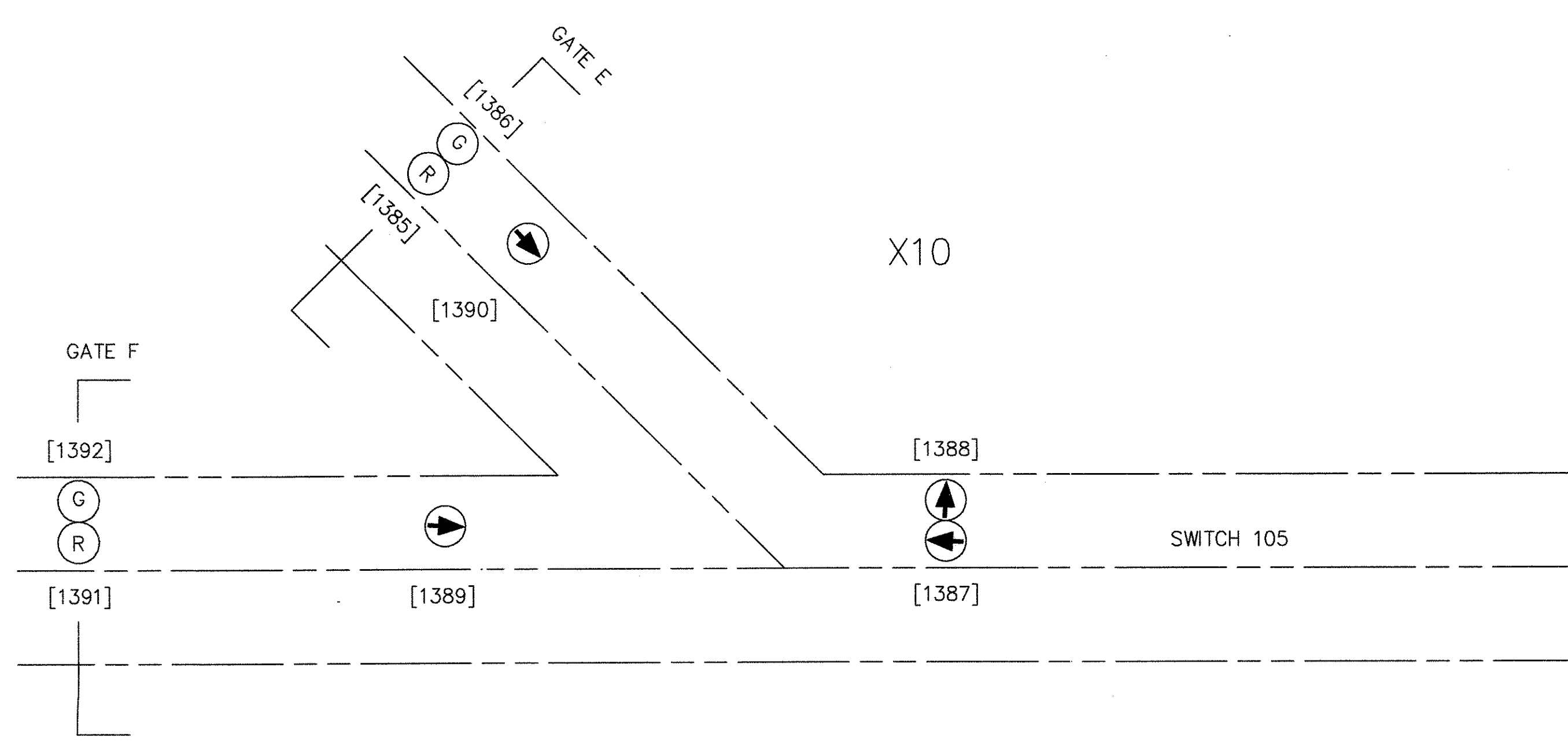
GEOMETRIC CHARACTERISTIC SYMBOLS		DFTM.	DATE
FLATNESS		R.ANDERSON	4-11-02
STRAIGHTNESS		CHKR.	
ROUNDNESS (CIRCULARITY)		ENGRG.	
ROUNDNESS (CIRCULARITY)		R.KORTYNA	
CYLINDRICITY		MFG.	
PROFILE OF ANY LINE		APPD.	
PROFILE OF ANY SURFACE		DFTG. SU-IV.	
PARALLELISM		J.CARNEVALE	
PERPENDICULARITY (SQUARENESS)			
ANGULARITY			
RUNOUT			
TRUE POSITION			
CONCENTRICITY			
SYMMETRY			
MAXIMUM MATERIAL CONDITION (MMC)			
REGARDLESS OF FEATURE SIZE			

<b>BOMBARDIER</b>	
HOUSTON PHASE 2	
WAYSIDE SYSTEM SCHEMATIC	
DIMENSIONS IN INCHES	
SIZE	DWG. NO.
D	6D61054
SCALE NONE	WT.
SHEET 98	REV. 7

PROPRIETARY INFORMATION - SEE SHEET 1

AutoCAD

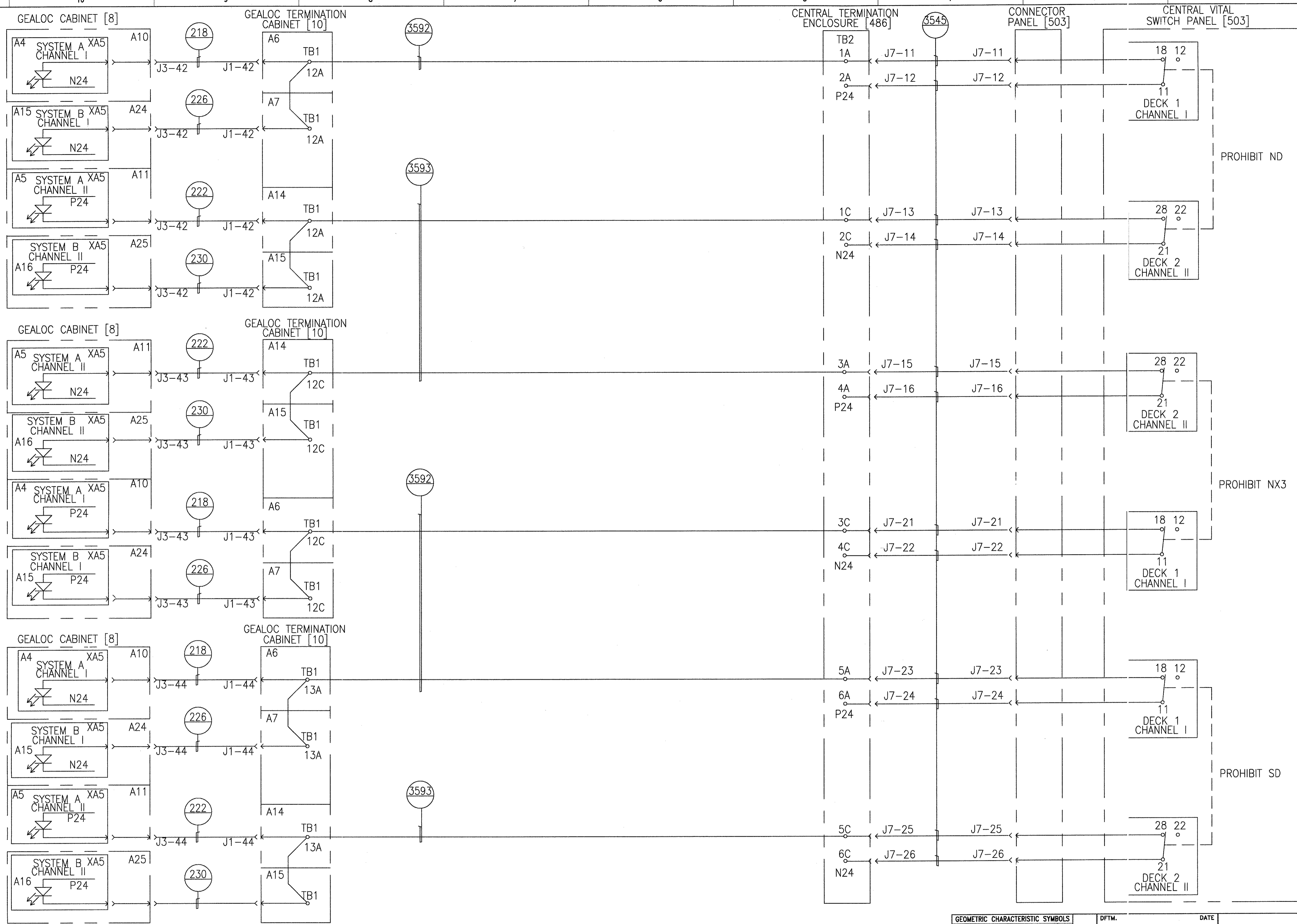


TRAFFIC SIGNAL SWITCH NO. 105  
AND GATES E AND F

PROPRIETARY INFORMATION - SEE SHEET 1

AutoCAD

GEOMETRIC CHARACTERISTIC SYMBOLS		DFTM. DATE		BOMBARDIER	
FLATNESS		R. ANDERSON	4-11-02	HOUSTON PHASE 2	
STRAIGHTNESS		CHKR.		WAYSIDE SYSTEM SCHEMATIC	
ROUNDNESS (CIRCULARITY)		ENGRG.		DIMENSIONS IN INCHES	
CYLINDRICITY		R. KORZYNA		SIZE	DWG. NO. 6D61054
PROFILE OF ANY LINE		MFG.		SCALE	NONE WT.
PROFILE OF ANY SURFACE		APPD.		SHEET	99
PARALLELISM		DFTG. SUPV.	J. CARNEVALE	REV.	7
PERPENDICULARITY (SQUARENESS)					
ANGULARITY					
RUNOUT					
TRUE POSITION					
CONCENTRICITY					
SYMMETRY					
MAXIMUM MATERIAL CONDITION (MMC)					
REGARDLESS OF FEATURE SIZE					



GEALOC CENTRAL VITAL SWITCH PANEL  
PROHIBIT ZONES - ND, NX3, SD

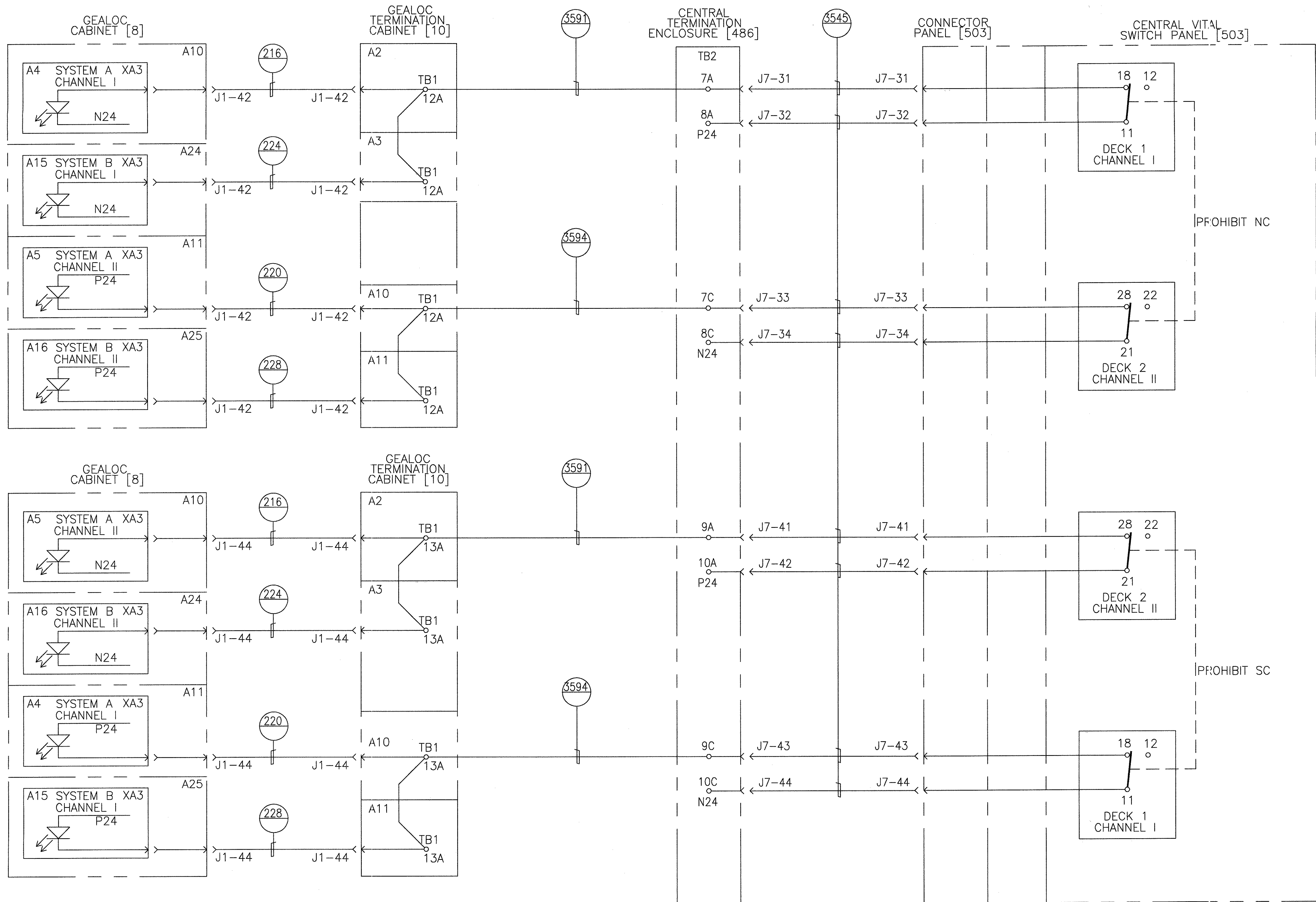
PROPRIETARY INFORMATION - SEE SHEET 1

AutoCAD

GEOMETRIC CHARACTERISTIC SYMBOLS	
FLATNESS	▭
STRAIGHTNESS	—
ROUNDNESS (CIRCULARITY)	○
CYLINDRICITY	⊘
PROFILE OF ANY LINE	⌒
PROFILE OF ANY SURFACE	⌒
PARALLELISM	∥
PERPENDICULARITY (SQUARENESS)	⊥
ANGULARITY	∠
RUNOUT	↻
TRUE POSITION	⊕
CONCENTRICITY	⊙
SYMMETRY	⊞
MAXIMUM MATERIAL CONDITION (MMC)	Ⓜ
REGARDLESS OF FEATURE SIZE	Ⓜ

DFTM.	DATE
R.ANDERSON	4-11-02
ENGRG.	
R.KORTYNA	
MFG.	
APPD.	
DFTG. SU PV.	
J.CARNEVALE	

BOMBARDIER	
TITLE	
HOUSTON PHASE 2	
WAYSIDE SYSTEM SCHEMATIC	
DIMENSIONS IN INCHES	
SIZE	DWS. NO.
D	6D61054
SCALE	REV.
NONE	7
WT.	SHEET
	100



GEALOC CENTRAL VITAL SWITCH PANEL  
PROHIBIT ZONES - NC, SC

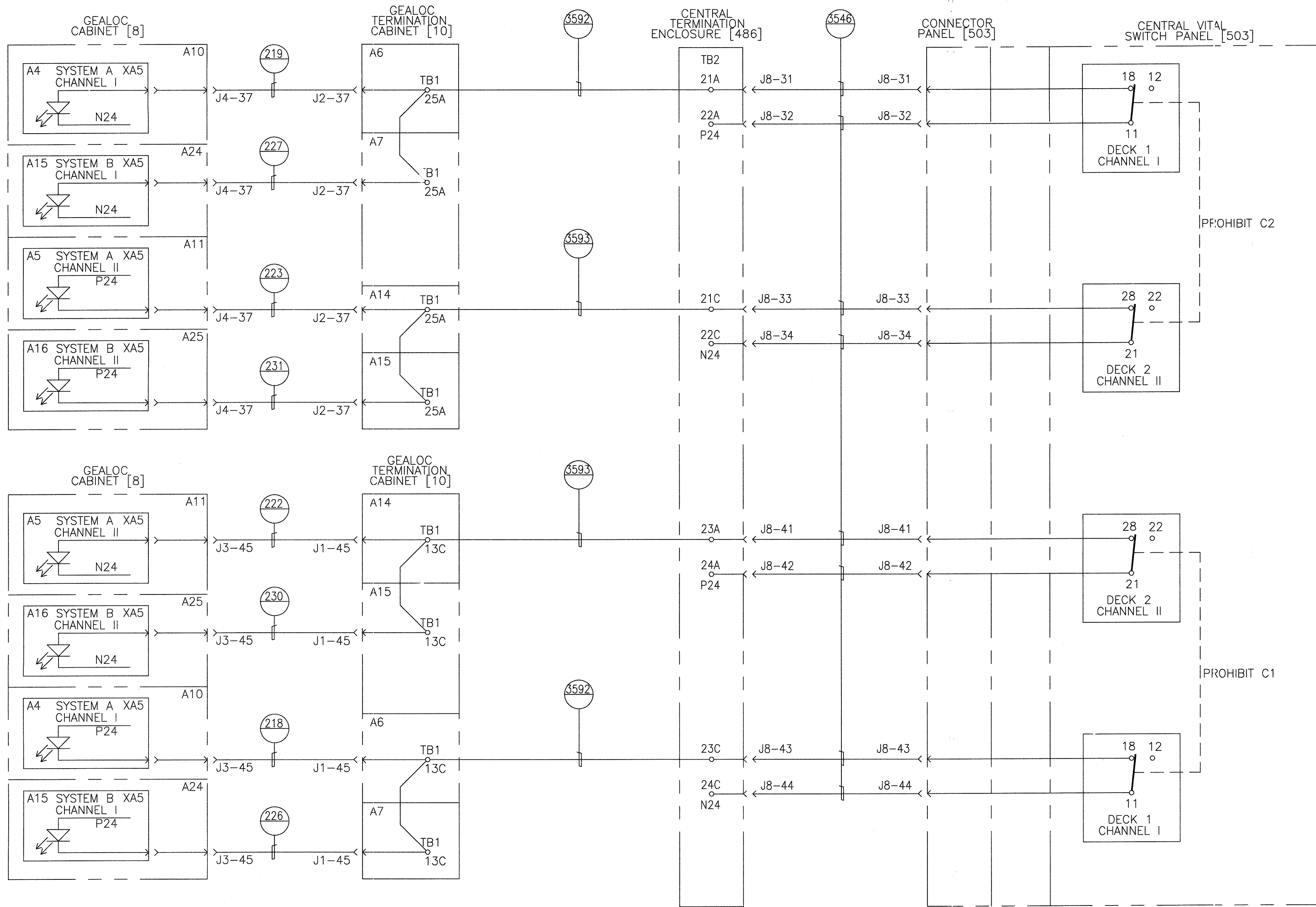
GEOMETRIC CHARACTERISTIC SYMBOLS	
FLATNESS	▮
STRAIGHTNESS	▮
ROUNDNESS (CIRCULARITY)	⊘
CYLINDRICITY	⊘
PROFILE OF ANY LINE	⊘
PROFILE OF ANY SURFACE	⊘
PARALLELISM	▮
PERPENDICULARITY (SQUARENESS)	⊥
ANGULARITY	∠
RUNOUT	⊘
TRUE POSITION	⊕
CONCENTRICITY	⊕
SYMMETRY	⊕
MAXIMUM MATERIAL CONDITION (MMC)	Ⓜ
REGARDLESS OF FEATURE SIZE	Ⓜ

DFTM. DATE	
R. ANDERSON	4-11-02
ENGRG.	R. KORTYNA
MFG.	
APPD.	
DFTG. SU-IV.	J. CARRIVEALE

BOMBARDIER			
TITLE: HOUSTON PHASE 2			
WAYSIDE SYSTEM SCHEMATIC			
DIMENSIONS IN INCHES			
SIZE: D	DR. NO.: 6D61054	REV.: 7	
SCALE: NONE	WT.	SHEET: 101	

PROPRIETARY INFORMATION - SEE SHEET 1

AutoCAD



GEALOC CENTRAL VITAL SWITCH PANEL  
PROHIBIT ZONES - C2, C1

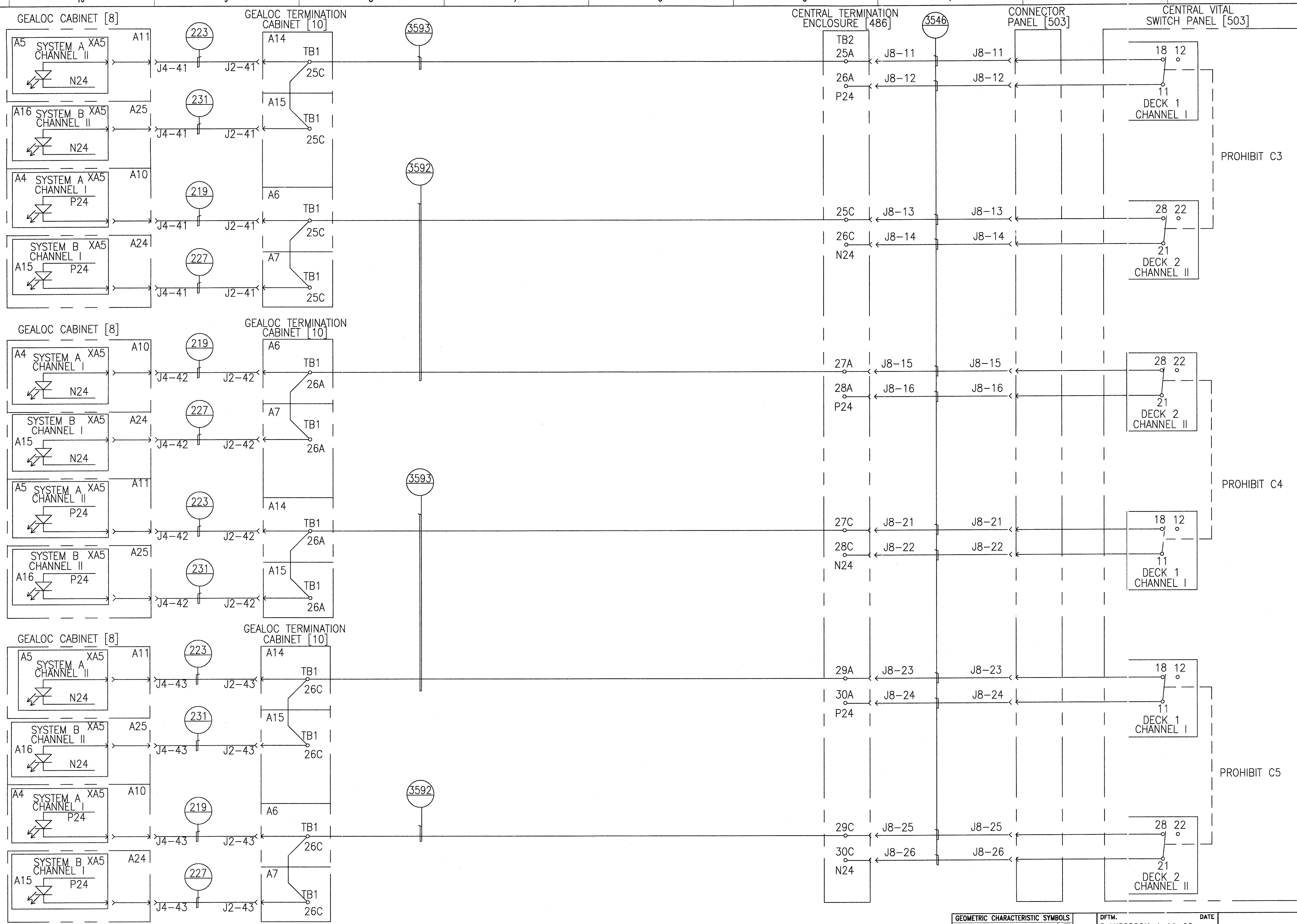
PROPRIETARY INFORMATION - SEE SHEET 1

AutoCAD

GEOMETRIC CHARACTERISTIC SYMBOLS	
FLATNESS	▭
STRAIGHTNESS	—
ROUNDNESS (CIRCULARITY)	○
CYLINDRICITY	∅
PROFILE OF ANY LINE	∩
PROFILE OF ANY SURFACE	∩
PARALLELISM	∥
PERPENDICULARITY (SQUARENESS)	⊥
ANGULARITY	∠
RUNOUT	↻
TRUE POSITION	⊕
CONCENTRICITY	⊙
SYMMETRY	∩
MAXIMUM MATERIAL CONDITION (MMC)	Ⓜ
REGARDLESS OF FEATURE SIZE	Ⓛ

DFTM.	DATE
R.ANDERSON	4-11-02
ENGRG.	
R.KORTYNA	
MFG.	
APPD.	
DFTG. SU'V.	
J.CARNEVALE	

BOMBARDIER	
TITLE	
HOUSTON PHASE 2	
WAYSIDE SYSTEM SCHEMATIC	
DIMENSIONS IN INCHES	
SIZE	DWG. NO.
D	6D61054
SCALE	WT.
NONE	
SHEET	REV.
102	7



GEALOC CENTRAL VITAL SWITCH PANEL  
PROHIBIT ZONES - C3, C4, C5

PROPRIETARY INFORMATION - SEE SHEET 1

AutoCAD

<b>GEOMETRIC CHARACTERISTIC SYMBOLS</b> FLATNESS STRAIGHTNESS ROUNDNESS (CIRCULARITY) CYLINDRICITY PROFILE OF ANY LINE PROFILE OF ANY SURFACE PARALLELISM PERPENDICULARITY (SQUARENESS) ANGULARITY RUNOUT TRUE POSITION CONCENTRICITY SYMMETRY MAXIMUM MATERIAL CONDITION (MMC) REGARDLESS OF FEATURE SIZE		DFTM. DATE R.ANDERSON 4-11-02 ENGRG. R.KORTYNA MFG. APPD. DFTG. SU-IV. 300 J.CARNEVALE	<b>BOMBARDIER</b> TITLE HOUSTON PHASE 2 WAYSIDE SYSTEM SCHEMATIC DIMENSIONS IN INCHES SIZE D DWG. NO. 6D61054 REV. 7 SCALE NONE WT. SHEET 103
---	--	---	---