

PLAN EL 135'-5"
1"=10'-0"

THIS DOCUMENT AND ITS CONTENTS ARE THE PROPERTY OF BOMBARDIER INC. OR ITS SUBSIDIARIES. THIS DOCUMENT CONTAINS CONFIDENTIAL PROPRIETARY INFORMATION. THE REPRODUCTION, DISTRIBUTION, UTILIZATION OR THE COMMUNICATION OF THIS DOCUMENT OR ANY PART THEREOF, WITHOUT EXPRESS AUTHORIZATION IS STRICTLY PROHIBITED. OFFENDERS WILL BE HELD LIABLE FOR THE PAYMENT OF DAMAGES.

AutoCAD

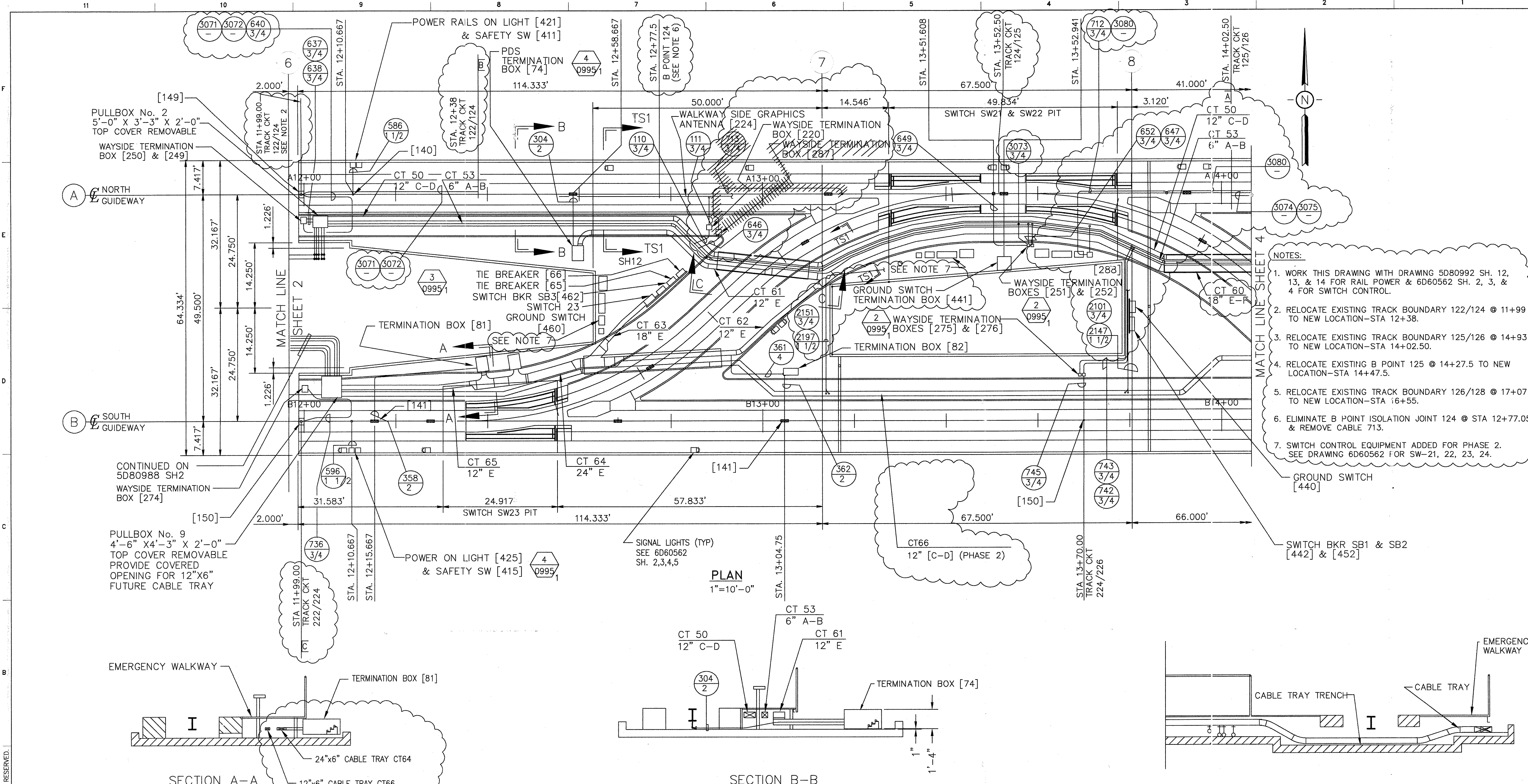
1	TCN HOAA-B2065 D. 5DS212-E CHANGE (M)
3	TCN HOAA-B2065 ECN 37474 REVISED PER ENGR. MARKED PRINTS, ISSUED FOR CONSTRUCTION G.PALICHAT 5-1-98 P.STIRBIS E.D.MATTY (R)
5	TCN HOAA-B2065 ECN 39334 REVISED PER AS BUILT DRAWINGS SEE SHEETS 1 AND 3 THRU 16 FOR CHANGES SEE PMS FOR CHANGES F.BELMARES 10-21-99 P.STIRBIS E.D.MATTY (R)
6	TCN HOAB-B2065 ECN 42179 ADDED TRACK BOUNDARIES SHORTHOUSE 06/27/02 P. KOCCIS J. CARNEVALE (R)
8	TCN HOAB-B2065 WR 2001346 NO DRAWING CHANGE TO THIS SHEET, FORMAT CHANGE ONLY P. CARSON 7/31/05 A. ROME J. CARNEVALE

APPROVED BY:
DEPARTMENT OF AVIATION

Continental Airlines
ABOVEGROUND
PEOPLE MOVER
George Bush
Intercontinental Airport / Houston

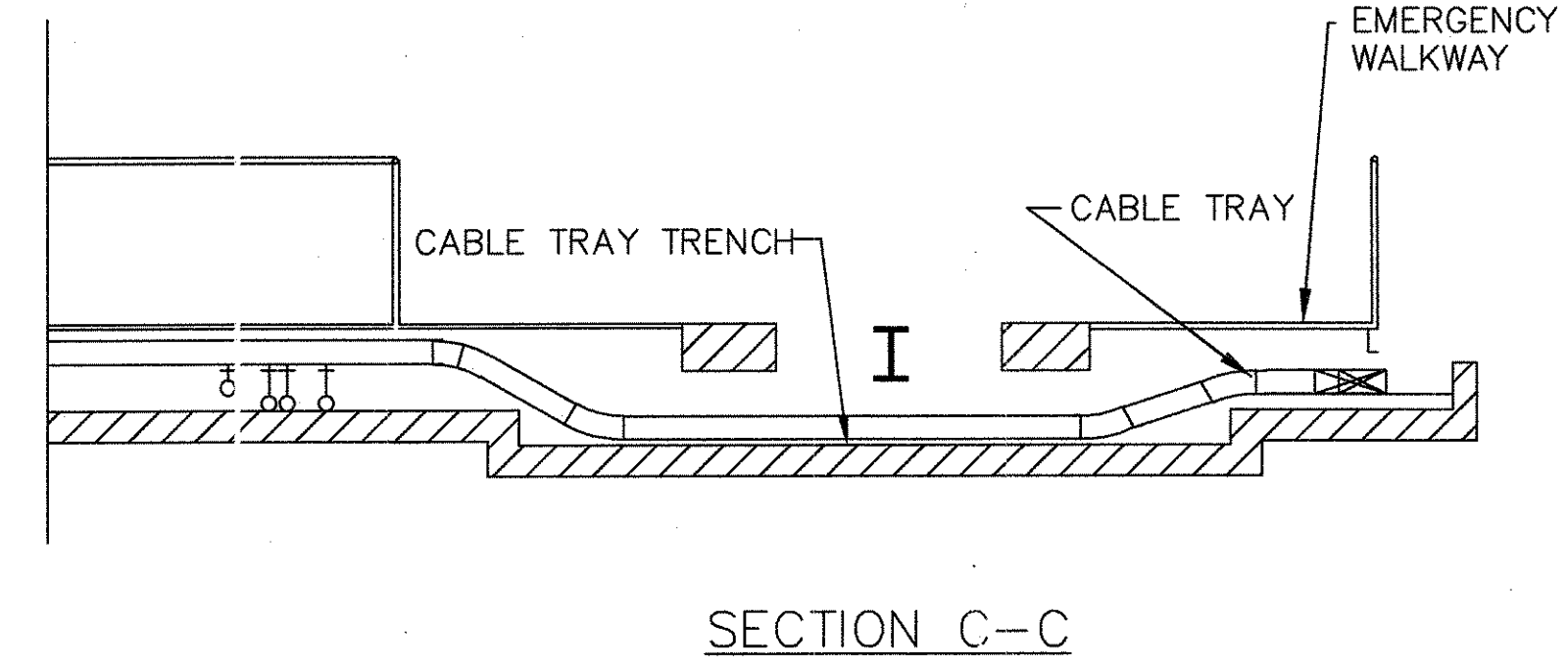
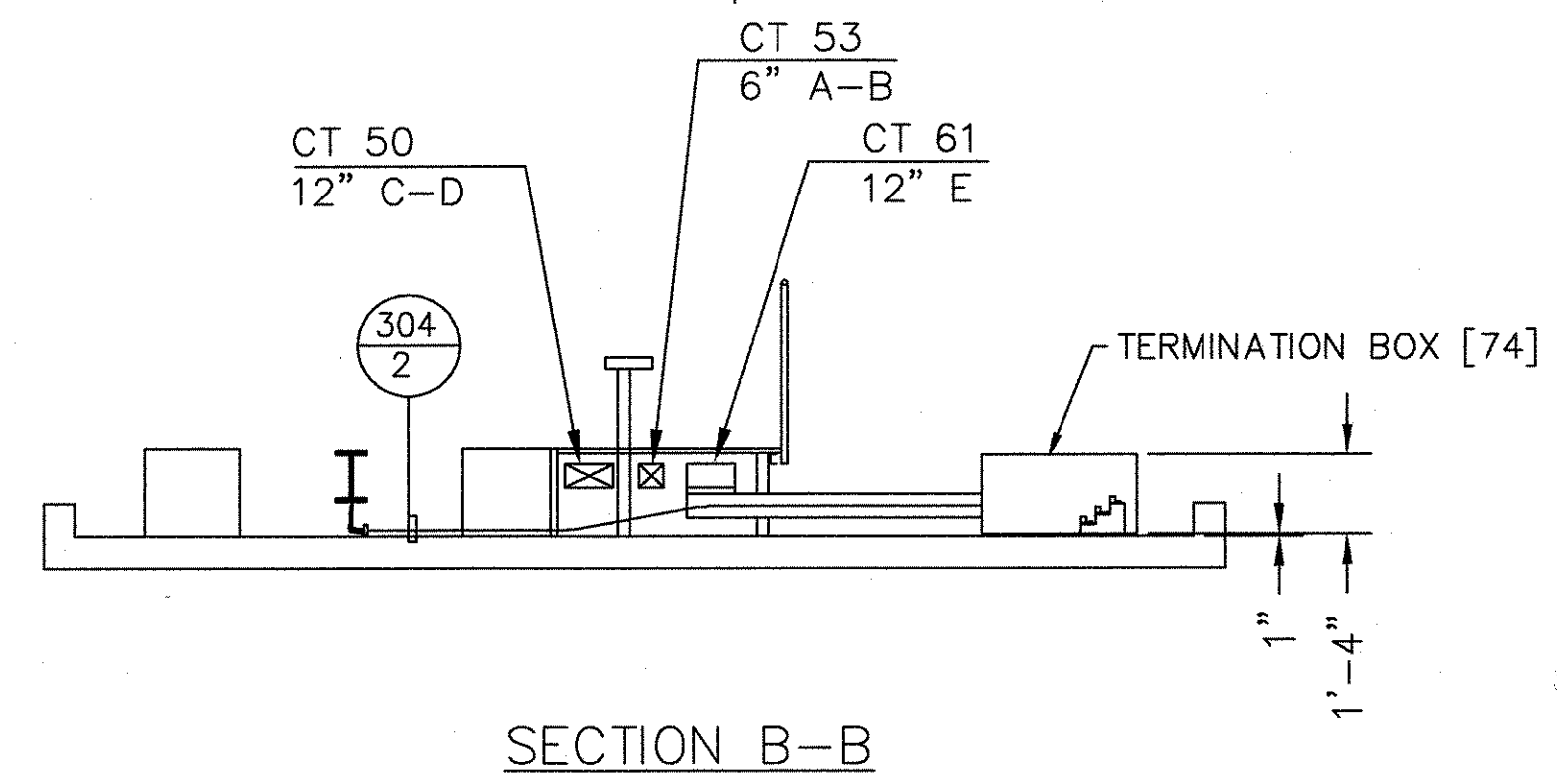
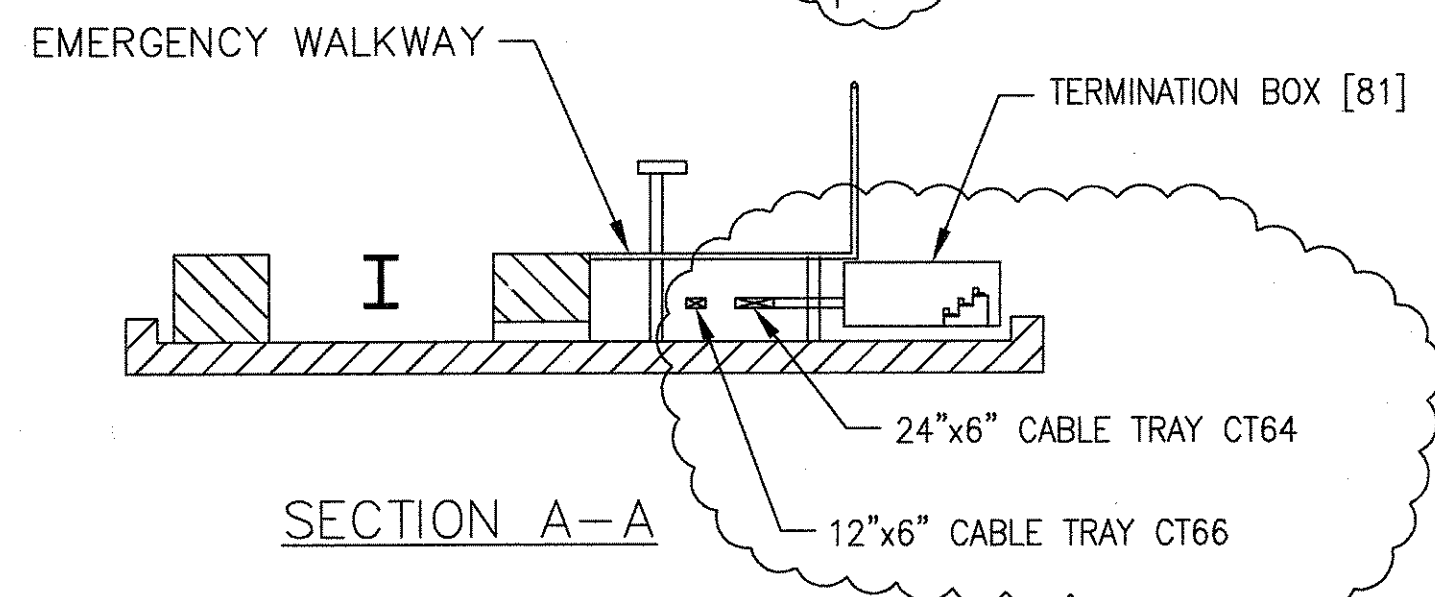
DFTM. K.SZEWZYK	DATE 12-10-97
ENGRG. P.STIRBIS	DATE 1-20-98
MFG.	
APPD.	
DFTG. SUPV. E.D.MATTY	DATE 1-20-98

BOMBARDIER	
TITLE GEORGE BUSH INTERCONTINENTAL AIRPORT/HOUSTON GUIDEWAY CABLE TRAY & EXPOSED CONDUIT	
DIMENSIONS IN INCHES	
SIZE D	DWG. NO. 5D80992
SCALE	WT.
SHEET 2	REV. 8



- NOTES:
1. WORK THIS DRAWING WITH DRAWING 5D80992 SH. 12, 13, & 14 FOR RAIL POWER & 6D60562 SH. 2, 3, & 4 FOR SWITCH CONTROL.
 2. RELOCATE EXISTING TRACK BOUNDARY 122/124 @ 11+99 TO NEW LOCATION-STA 12+38.
 3. RELOCATE EXISTING TRACK BOUNDARY 125/126 @ 14+93 TO NEW LOCATION-STA 14+02.50.
 4. RELOCATE EXISTING B POINT 125 @ 14+27.5 TO NEW LOCATION-STA 14+47.5.
 5. RELOCATE EXISTING TRACK BOUNDARY 126/128 @ 17+07 TO NEW LOCATION-STA 16+55.
 6. ELIMINATE B POINT ISOLATION JOINT 124 @ STA 12+77.05 & REMOVE CABLE 713.
 7. SWITCH CONTROL EQUIPMENT ADDED FOR PHASE 2. SEE DRAWING 6D60562 FOR SW-21, 22, 23, 24.

PLAN
1"=10'-0"



THIS DOCUMENT AND ITS CONTENTS ARE THE PROPERTY OF BOMBARDIER INC. OR ITS SUBSIDIARIES. THIS DOCUMENT CONTAINS CONFIDENTIAL PROPRIETARY INFORMATION. THE REPRODUCTION, DISTRIBUTION, UTILIZATION OR THE COMMUNICATION OF THIS DOCUMENT OR ANY PART THEREOF, WITHOUT EXPRESS AUTHORIZATION IS STRICTLY PROHIBITED. OFFENDERS WILL BE HELD LIABLE FOR THE PAYMENT OF DAMAGES.

AutoCAD

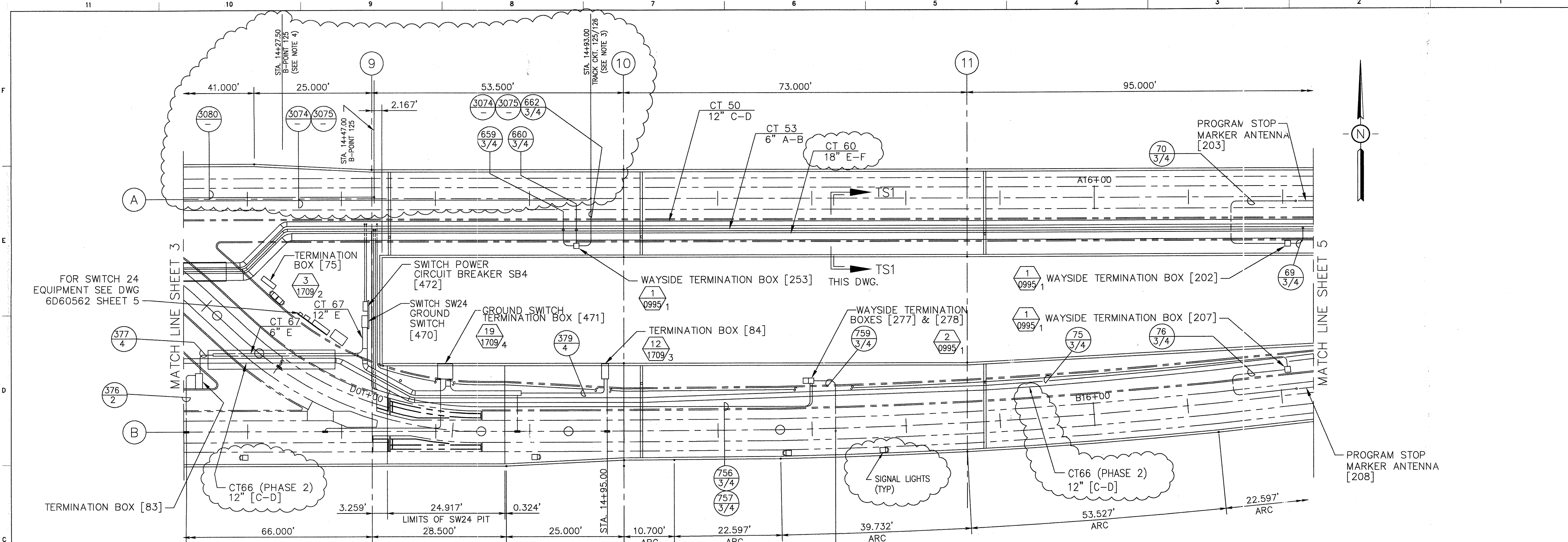
1	TCN HOAA-B2065	5	SIGNATURES ON FILE
D.	5DS212-C	6	TCN HOAB-B2065
CHANGE		ECN	42179
		ADDED CABLES	3071, 3072, 3073, 3080
		REVISED TRACK BOUNDARY	
		ADDED NOTES	
		ADDED EQUIPMENT FOR SWITCHES #21 THRU #23 PER PHASE 2	
		ADDITION, ADDED CT66, ADDED SIGNAL LIGHTS	
		SHORTHOUSE 6/27/01	
		P.KOCSIS	
		J. CARNEVALE	
		SIGNATURES ON FILE	
		8	TCN HOAB-B2065
		WR	2001346
		NO DRAWING CHANGE TO THIS SHEET, FORMAT CHANGE ONLY	
		P. CARSON 7/31/05	
		A. ROMEO	
		J. CARNEVALE	

APPROVED BY:
DEPARTMENT OF AVIATION

Continental Airlines
ABOVEGROUND PEOPLE MOVER
George Bush Intercontinental Airport / Houston

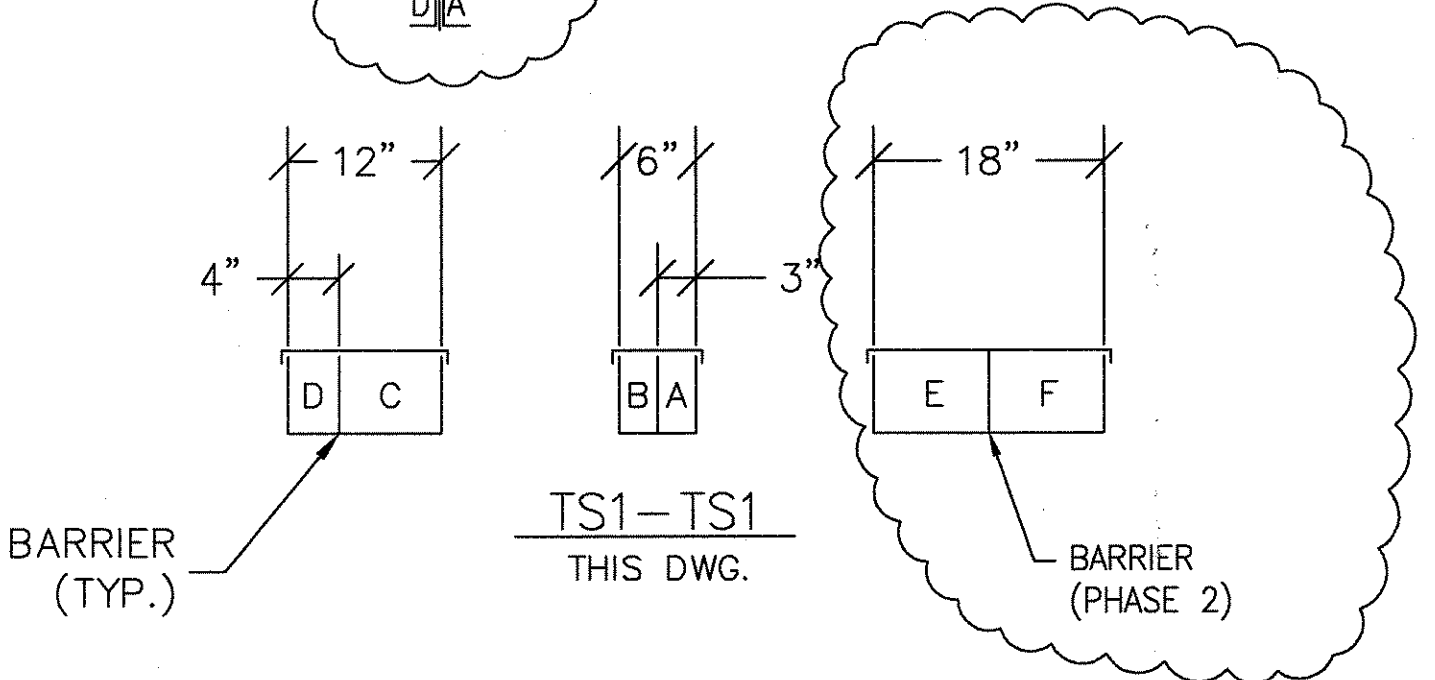
DFTM.	J.LYNSKEY	DATE	7-29-97
CHKR.			
ENGRG.	P.STIRBIS		1-20-98
MFG.			
APPD.			
DFTG. SUPV.	E.D.MATTY		1-20-98

BOMBARDIER	
TITLE GEORGE BUSH INTERCONTINENTAL AIRPORT/HOUSTON	
GUIDEWAY CABLE TRAY AND EXPOSED CONDUIT	
DIMENSIONS IN INCHES	
SIZE	D
SCALE	2
DWG. NO.	5D80992
REV.	8
SHEET	3



PLAN
1"=10'-0"

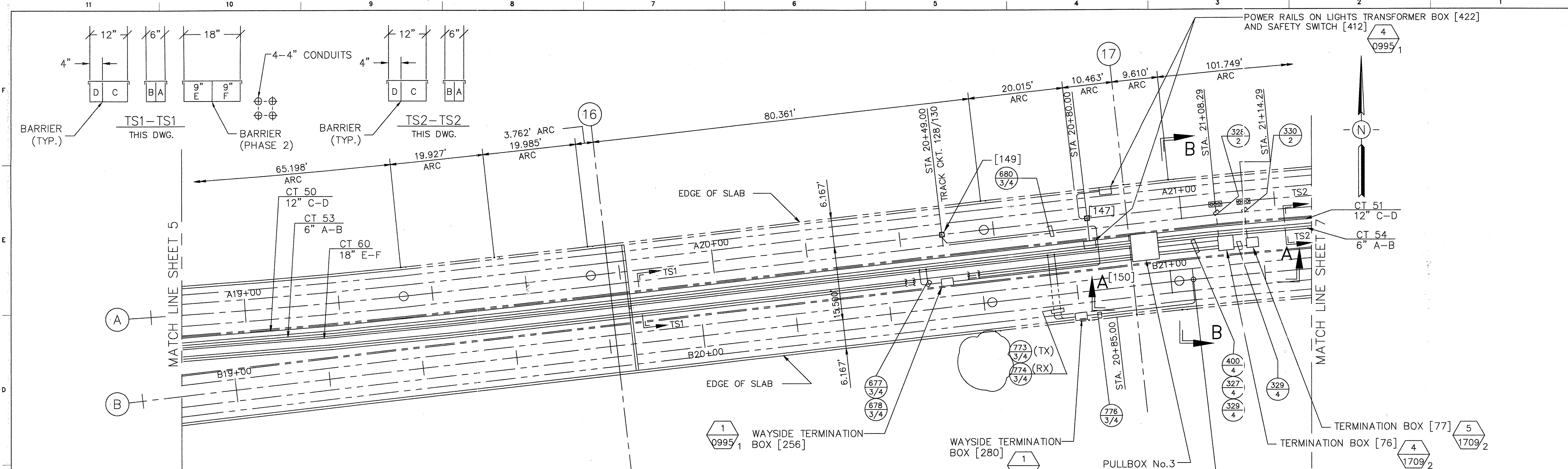
NOTE:
WORK THIS DRAWING WITH
DRAWING 5D80992 SH. 15 FOR
SWITCH RAIL POWER & 6D60562
SH. 5 FOR SWITCH CONTROL.



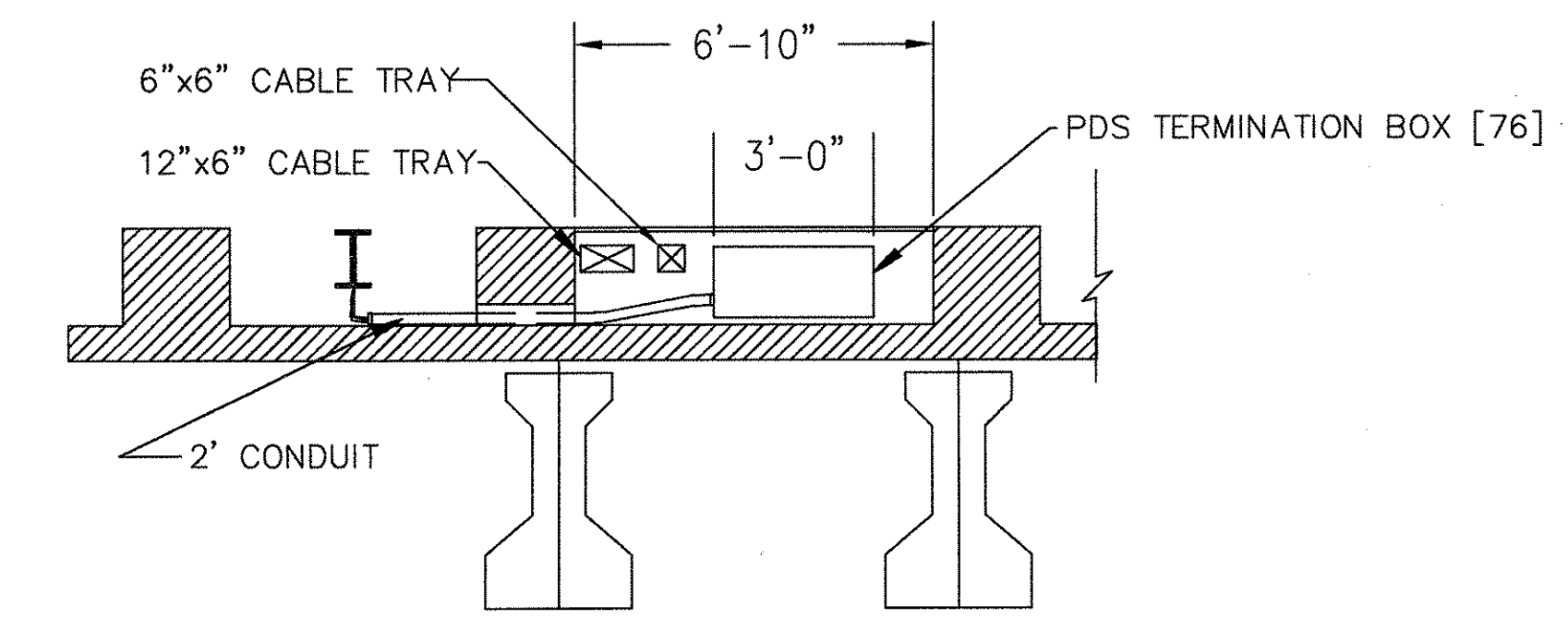
THIS DOCUMENT AND ITS CONTENTS ARE THE PROPERTY OF BOMBARDIER INC. OR ITS SUBSIDIARIES. THIS DOCUMENT CONTAINS CONFIDENTIAL PROPRIETARY INFORMATION. THE REPRODUCTION, DISTRIBUTION, UTILIZATION OR THE COMMUNICATION OF THIS DOCUMENT OR ANY PART THEREOF, WITHOUT EXPRESS AUTHORIZATION IS STRICTLY PROHIBITED. OFFENDERS WILL BE HELD LIABLE FOR THE PAYMENT OF DAMAGES.

AutoCAD

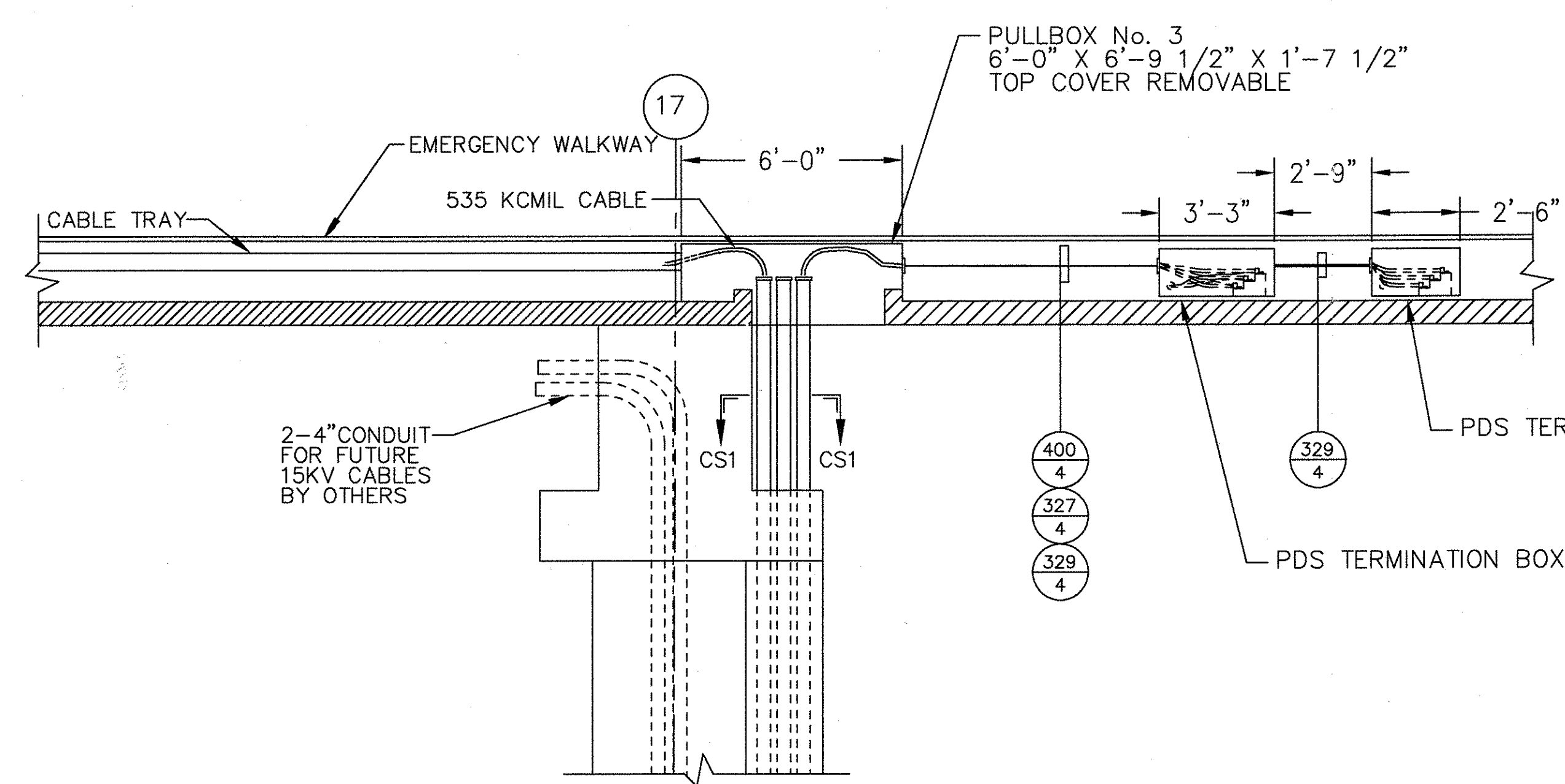
1 TCN HOAA-B2065 D. 5DS212-C CHANGE (M)	3 TCN HOAA-B2065 ECN 37474 REVISED PER ENGR. MARKED PRINTS. ISSUED FOR CONSTRUCTION G.PALICHAT 5-1-98 P.STIRBIS E.D.MATTY (R)	5 TCN HOAA-B2065 ECN 39334 REVISED PER AS BUILT DRAWINGS SEE SHEETS 1 THRU 3 AND 5 THRU 16 FOR CHANGES SEE PMS FOR CHANGES F.BELMARES 10-21-99 P.STIRBIS E.D.MATTY (R)	6 TCN HOAB-B2065 ECN 42179 ADDED CABLES 3080, 3074, 3075 REVISED TRACK BOUNDARIES ADDED EQUIPMENT FOR SWITCH #24 PER PHASE 2 ADDITION, ADDED CT66, CT60 BARRIER ADDED SIGNAL LIGHTS. SHORTHOUSE 6/27/01 P.KOCIS J. CARNEVALE (R)	8 TCN HOAB-B2065 WR 2001346 NO DRAWING CHANGE TO THIS SHEET, FORMAT CHANGE ONLY P. CARSON 7/31/05 A. ROMEO J. CARNEVALE	APPROVED BY: DEPARTMENT OF AVIATION	Continental Airlines ABOVEGROUND PEOPLE MOVER George Bush Intercontinental Airport / Houston	DFTM. K.SZIWZYK CHKR.	DATE 7-30-97	BOMBARDIER TITLE GEORGE BUSH INTERCONTINENTAL AIRPORT/HOUSTON GUIDEWAY CABLE TRAY & EXPOSED CONDUIT
							ENGR. P.STIRBIS MFG.	1-20-98	



PLAN
1"=10'-0"



SECTION B-B



SECTION A-A

1704	1705
2	2
1707	1708
2	2
1709	1710
2	2
1712	1713
2	2
1714	1715
2	2
300	423
4	4
1715	1716
4	4
303	400
4	4
357	1717
4	4
327	329
4	4
373	424
4	4
329	4

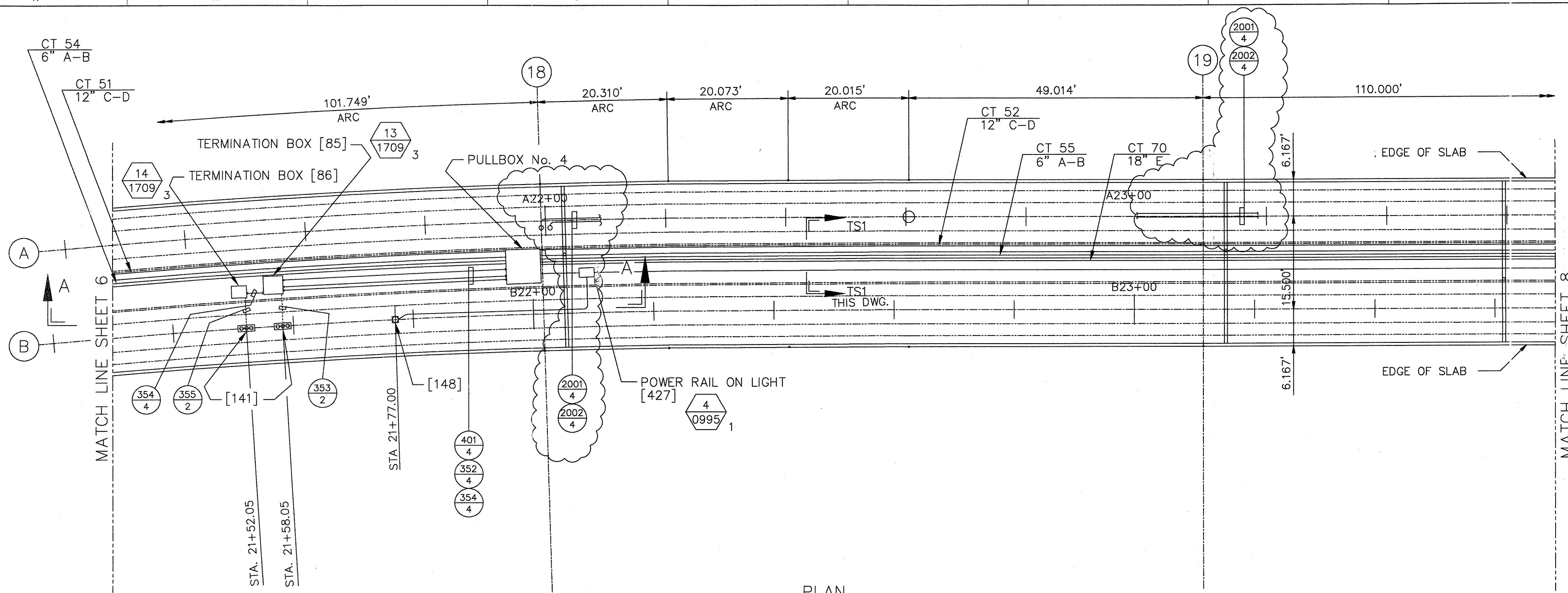
CS1-CS1
THIS DWG.

THIS DOCUMENT AND ITS CONTENTS ARE THE PROPERTY OF BOMBARDIER INC. OR ITS SUBSIDIARIES. THIS DOCUMENT CONTAINS CONFIDENTIAL PROPRIETARY INFORMATION. THE REPRODUCTION, DISTRIBUTION, UTILIZATION OR THE COMMUNICATION OF THIS DOCUMENT OR ANY PART THEREOF, WITHOUT EXPRESS AUTHORIZATION IS STRICTLY PROHIBITED. OFFENDERS WILL BE HELD LIABLE FOR THE PAYMENT OF DAMAGES.

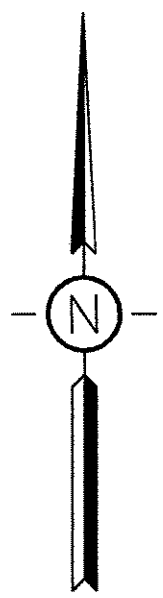
1	TCN HOAA-B2065
2	5DS212-C
3	TCN HOAA-B2065 ECN 37474
4	REVISED PER ENGR. MARKED PRINTS. ISSUED FOR CONSTRUCTION
5	G.PALICHAT 5-1-98 P.STIRBIS E.D.MATTY
6	TCN HOAB-B2065 ECN 39334
7	REVISED PER AS BUILT DRAWINGS SEE SHEETS 1 THRU 5 AND 7 THRU 16 FOR CHANGES SEE PMS FOR CHANGES
8	F.BELMARES 10-21-99 P.STIRBIS E.D.MATTY
9	TCN HOAB-B2065 ECN 42179
10	ADDED CABLES 3084, 3086, 3085 ADDED TRACK BARRIER ADDED TRACK BOUNDARY
11	SHORTHOUSE 6/27/01 P.KOCIS J. CARNEVALE
12	SIGNATURES ON FILE TCN HOAB-A3013 ECN 42923
13	REMOVED CABLES 3084, 3085 & 3086 SEE SHEET 1 F. BELMARES 7/9/03 T. NEVILLE J. CARNEVALE
14	SIGNATURES ON FILE TCN HOAB-B2065 WR 2001346
15	NO DRAWING CHANGE TO THIS SHEET. FORMAT CHANGE ONLY P. CARSON 7/31/05 A. ROMEO J. CARNEVALE

AutoCAD	
APPROVED BY: DEPARTMENT OF AVIATION	
Continental Airlines	
ABOVEGROUND PEOPLE MOVER	
George Bush Intercontinental Airport / Houston	
DFTM. J.LYNSKEY	DATE 7-30-97
ENGRG. P.STIRBIS	DATE 1-20-98
APPD. E.D.MATTY	DATE 1-20-98

BOMBARDIER	
TITLE GEORGE BUSH INTERCONTINENTAL AIRPORT/HOUSTON GUIDEWAY CABLE TRAY & EXPOSED CONDUIT	
DIMENSIONS IN INCHES	
SIZE D	DWG. NO. 5D80992
SCALE 1:10	WT.
SHEET 6	REV. 8

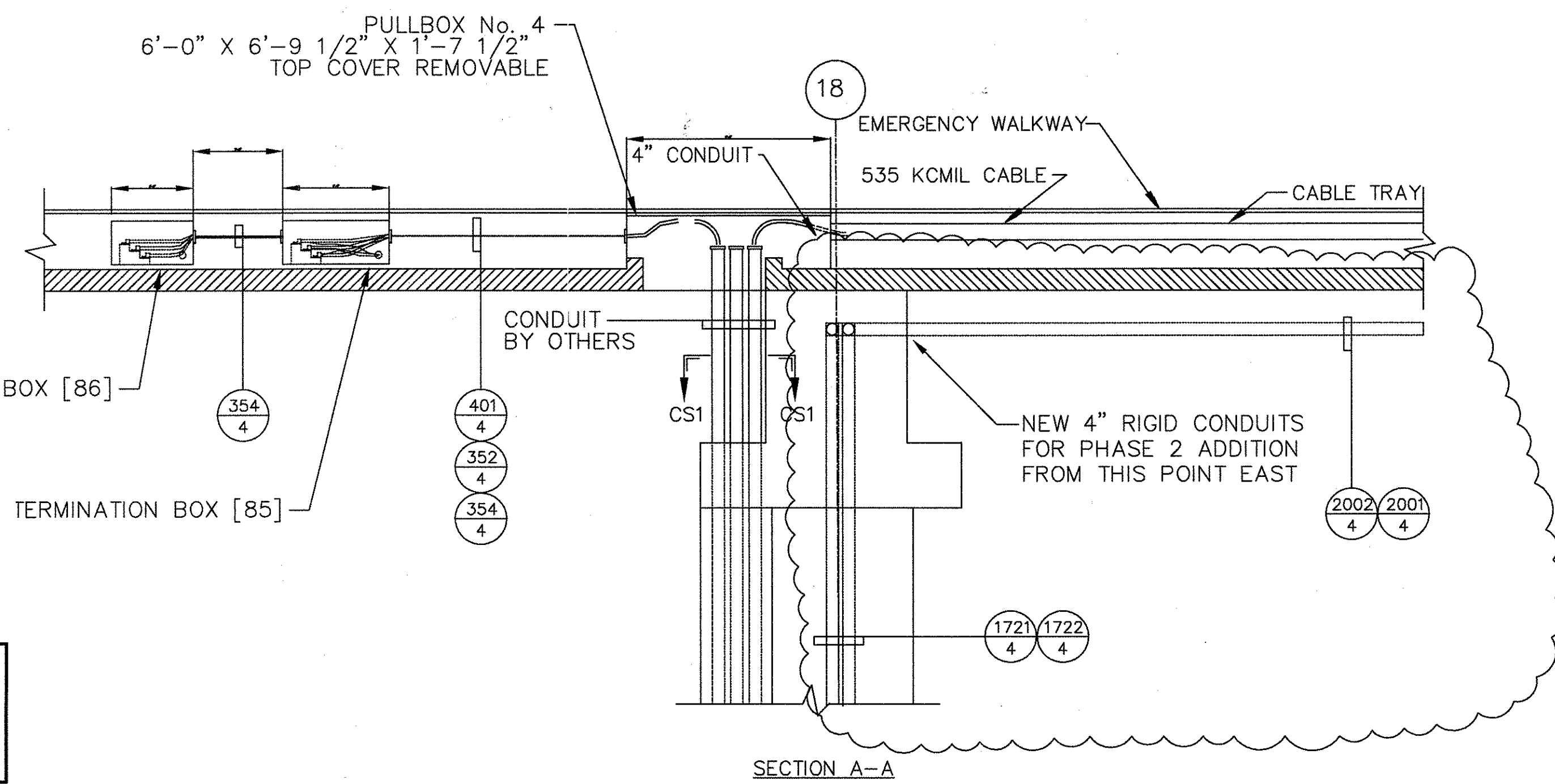
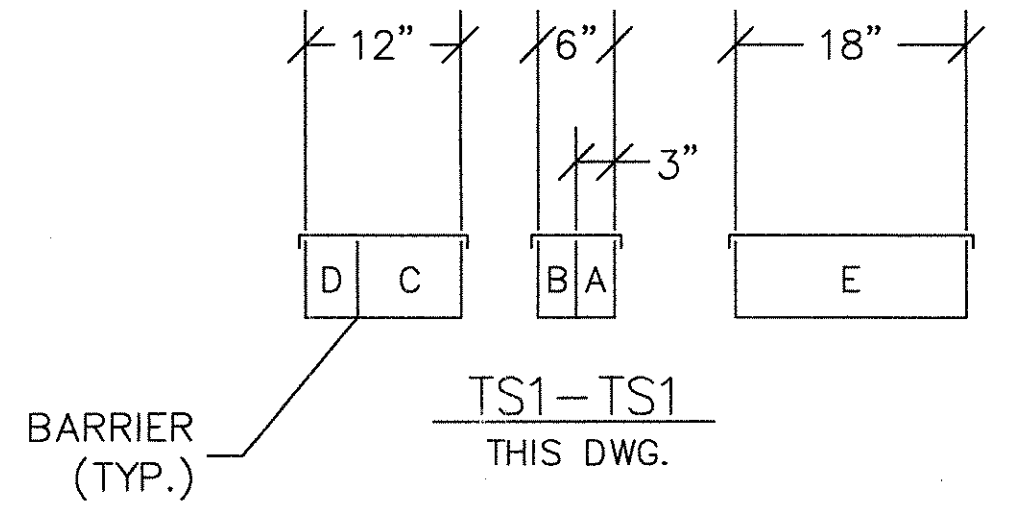


PLAN
1"=10'-0"



1723	1724	
2	2	
1726	1727	
2	2	
1729	1730	1731
2	2	2
1732	1733	1734
2	2	2
1735	1736	342
4	4	4
401	1737	346
4	4	4
352	1738	333
4	4	4
354	1739	339
4	4	4

CS1-CS1



SECTION A-A

THIS DOCUMENT AND ITS CONTENTS ARE THE PROPERTY OF BOMBARDIER INC. OR ITS SUBSIDIARIES. THIS DOCUMENT CONTAINS CONFIDENTIAL PROPRIETARY INFORMATION. REPRODUCTION, DISTRIBUTION, UTILIZATION OR THE COMMUNICATION OF THIS DOCUMENT OR ANY PART THEREOF, WITHOUT EXPRESS AUTHORIZATION IS STRICTLY PROHIBITED. OFFENDERS WILL BE HELD LIABLE FOR THE PAYMENT OF DAMAGES.

AutoCAD

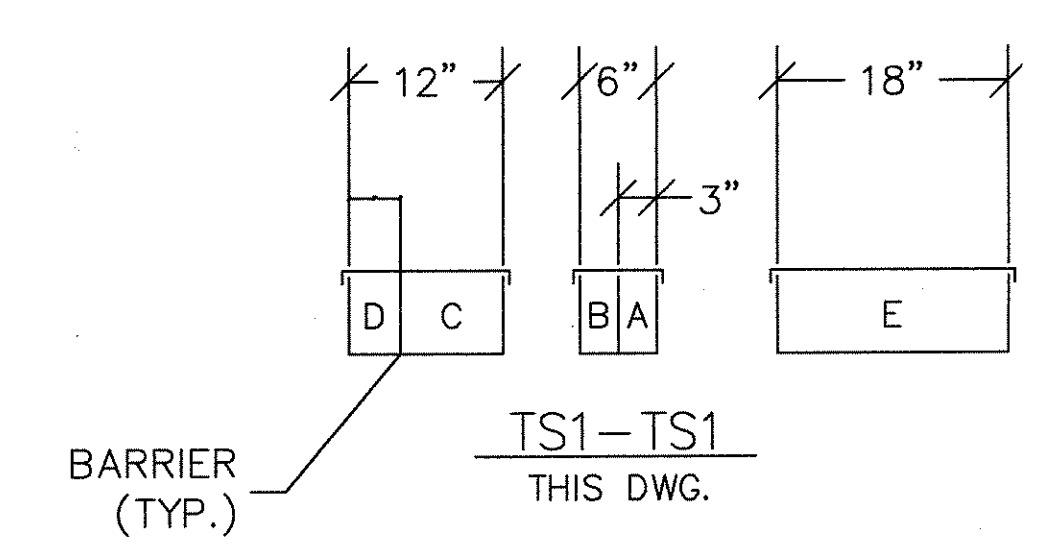
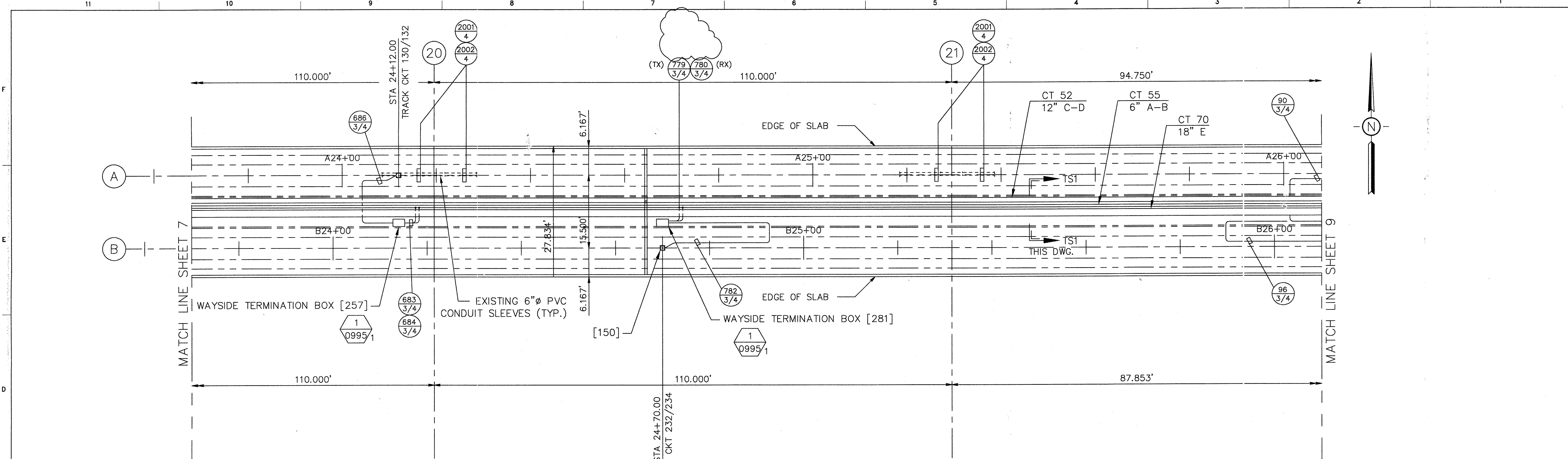
1 TCN HOAB-B2065 D. 5DS212-C CHANGE	3 TCN HOAB-B2065 ECN 37474 REVISED PER ENGR. MARKED PRINTS. ISSUED FOR CONSTRUCTION G.PALICHAT 5-1-98 P.STIRBIS E.D.MATTY	5 TCN HOAB-B2065 ECN 39334 REVISED PER AS BUILT DRAWINGS SEE SHEETS 1 THRU 6 AND 8 THRU 16 FOR CHANGES SEE PMS FOR CHANGES F.BELMARES 10-21-99 P.STIRBIS E.D.MATTY	6 TCN HOAB-B2065 ECN 42179 REVISED SECT. A-A ADDED PHASE 2 15KV 4" CONDUITS. SHORTHOUSE 6/27/01 P.KOCSIS J. CARNEVALE	8 SIGNATURES ON FILE TCN HOAB-B2065 WR 2001346 NO DRAWING CHANGE TO THIS SHEET. FORMAT CHANGE ONLY P. CARSON 7/31/05 A. ROMEO J. CARNEVALE
--	--	---	---	---

APPROVED BY:
DEPARTMENT OF AVIATION

Continental Airlines
ABOVEGROUND
PEOPLE MOVER
George Bush
Intercontinental Airport / Houston

DFTM. K.SZIWOCZYK	DATE 7-31-97
ENGRG. P.STIRBIS	1-20-98
MFG.	
APPD.	
DFTG. SUPV. E.D.MATTY	1-20-98

BOMBARDIER	
TITLE GEORGE BUSH INTERCONTINENTAL AIRPORT/HOUSTON GUIDEWAY CABLE TRAY & EXPOSED CONDUIT	
DIMENSIONS IN INCHES	
SIZE D	DWG. NO. 5D80992
SCALE 1:10	WT.
SHEET 7	REV. 8



THIS DOCUMENT AND ITS CONTENTS ARE THE PROPERTY OF BOMBARDIER INC. OR ITS SUBSIDIARIES. THIS DOCUMENT CONTAINS CONFIDENTIAL PROPRIETARY INFORMATION. THE REPRODUCTION, DISTRIBUTION, UTILIZATION OR THE COMMUNICATION OF THIS DOCUMENT OR ANY PART THEREOF, WITHOUT EXPRESS AUTHORIZATION IS STRICTLY PROHIBITED. OFFENDERS WILL BE HELD LIABLE FOR THE PAYMENT OF DAMAGES.

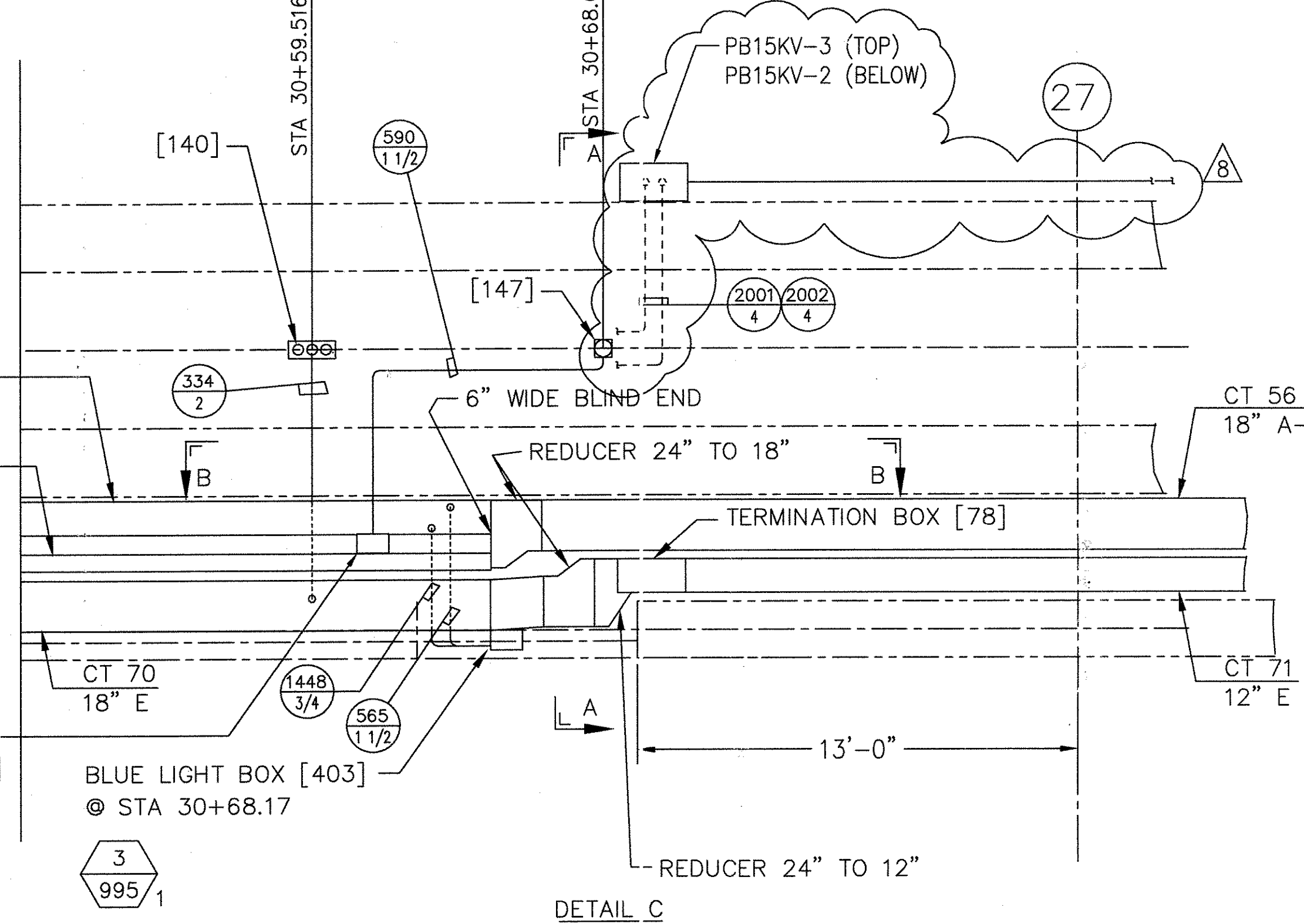
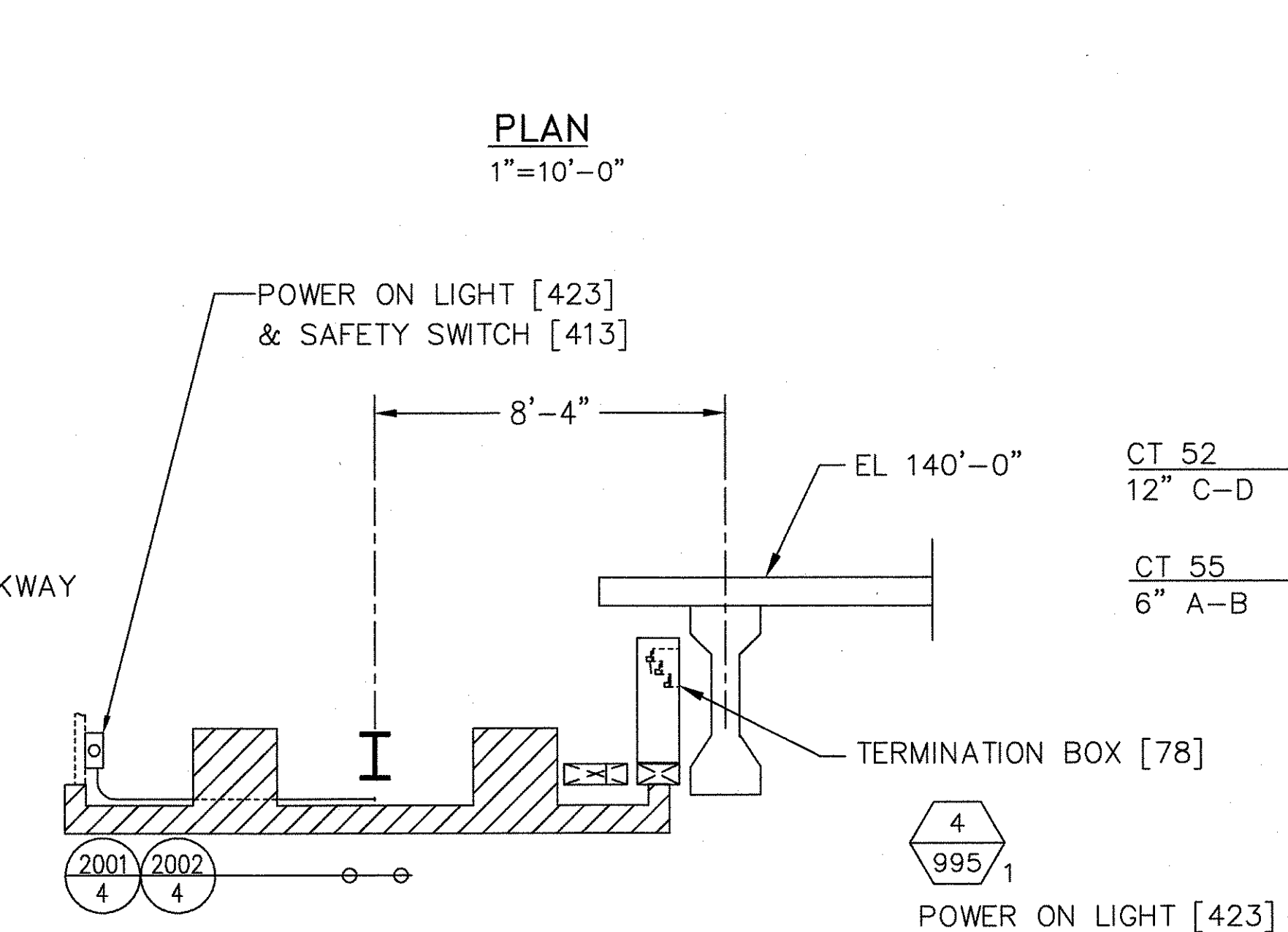
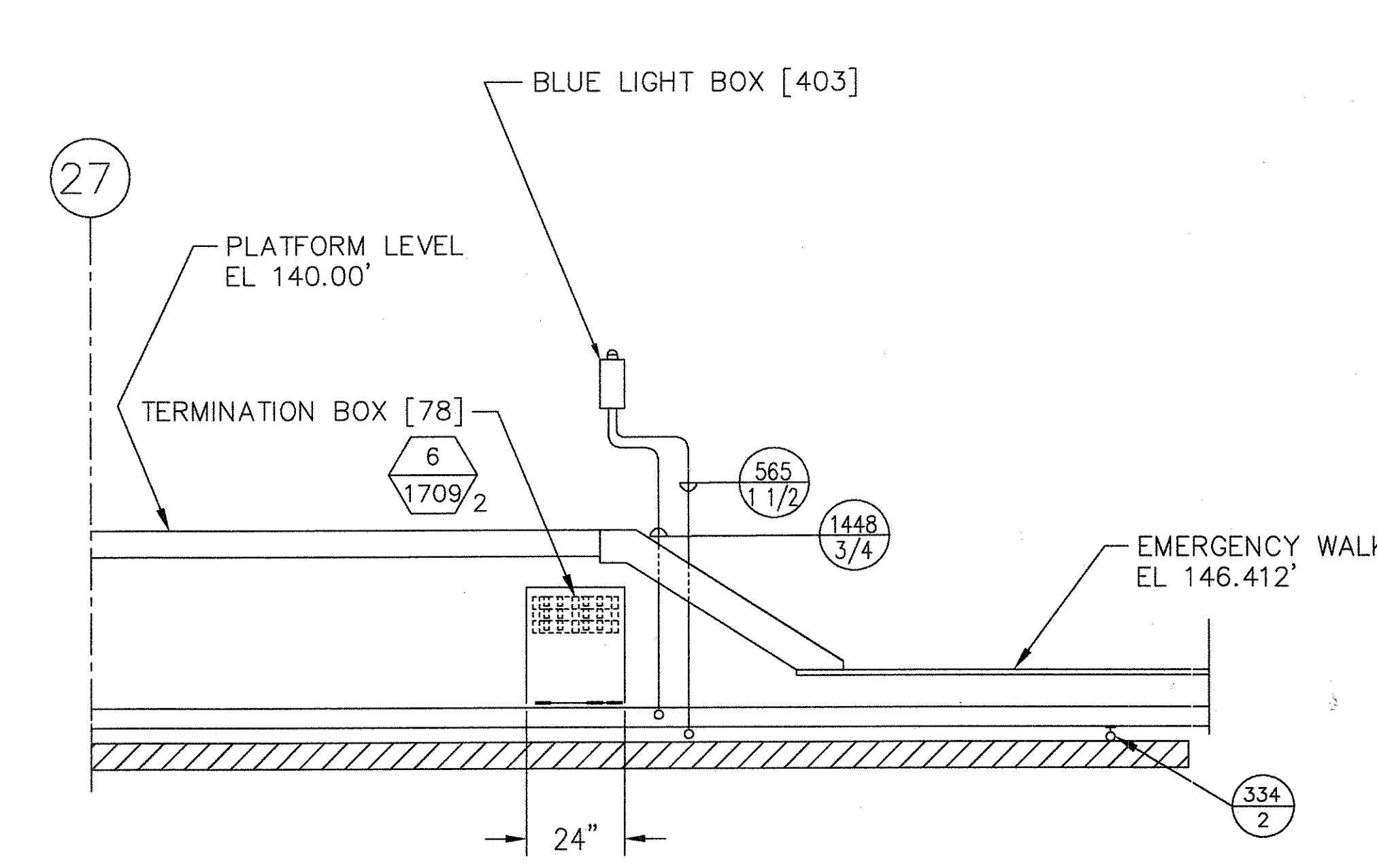
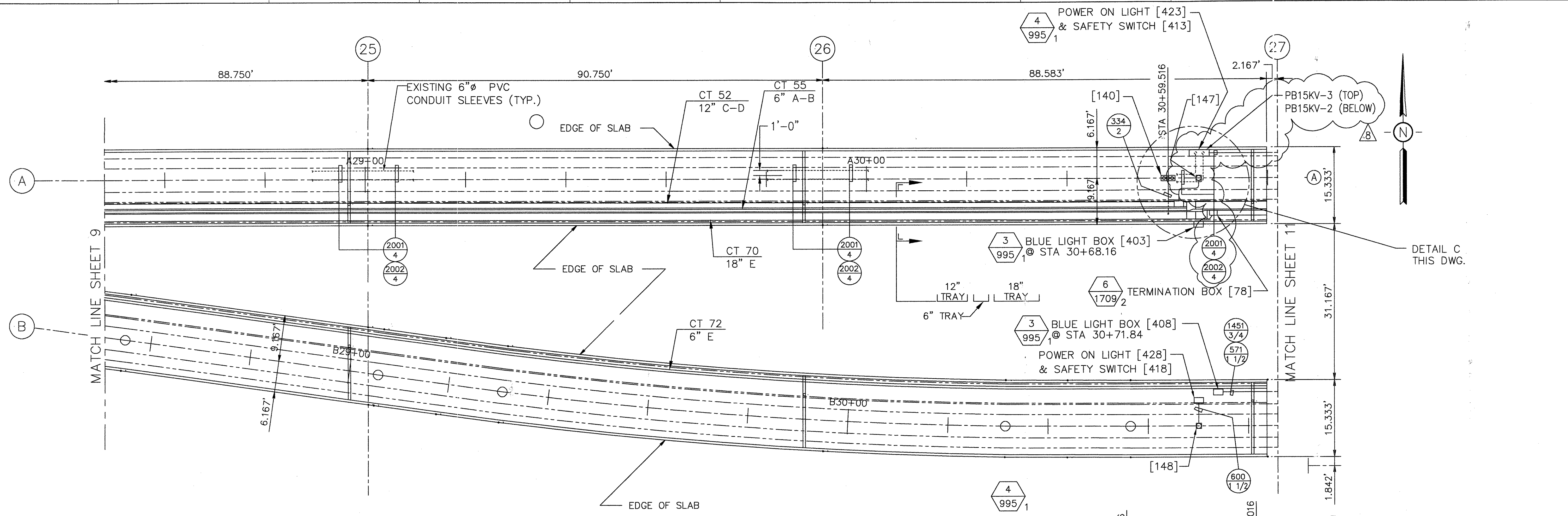
1	TCN HOAA-B2065 D. 5DS212-C CHANGE (M)
3	TCN HOAA-B2065 ECN 37474 REVISED PER ENGR. MARKED PRINTS. ISSUED FOR CONSTRUCTION G.PALICHAT 5-1-98 P.STIRBIS E.D.MATTY (R)
5	TCN HOAA-B2065 ECN 39334 REVISED PER AS BUILT DRAWINGS SEE SHEETS 1 THRU 7 AND 9 THRU 16 FOR CHANGES SEE PMS FOR CHANGES F.BELMARES 10-21-99 P.STIRBIS E.D.MATTY (R)
6	TCN HOAB-B2065 ECN 42179 ADDED CABLES 3087, 3088, 3089 ADDED PHASE 2 15KV 4" CONDUITS. SHORTHOUSE 6/27/01 P.KOCSIS J. CARNEVALE (R)
7	SIGNATURES ON FILE TCN HOAB-A3013 ECN 42923 REMOVED CABLES 3087, 3088, 3089 SEE SHEET 1 F. BELMARES 7/9/03 T. NEVILLE J. CARNEVALE (R)
8	SIGNATURES ON FILE TCN HOAB-B2065 WR 2001346 NO DRAWING CHANGE TO THIS SHEET, FORMAT CHANGE ONLY P. CARSON 7/31/05 A. ROMEO J. CARNEVALE

APPROVED BY:
DEPARTMENT OF AVIATION

Continental Airlines
ABOVEGROUND PEOPLE MOVER
George Bush Intercontinental Airport / Houston

DFTM.	J.LYNSKEY	DATE	7-31-97
CHKR.			
ENGRG.	P.STIRBIS	DWG. NO.	1-20-98
MFG.			
APPD.			
DFTG. :UPV.	E.D.MATTY	DATE	1-20-98

BOMBARDIER			
TITLE GEORGE BUSH INTERCONTINENTAL AIRPORT/HOUSTON GUIDEWAY CABLE TRAY & EXPOSED CONDUIT			
DIMENSIONS IN INCHES			
SIZE	D	DWG. NO.	5D80992
SCALE	1:10	WT.	
SHEET	8	REV.	8



THIS DOCUMENT AND ITS CONTENTS ARE THE PROPERTY OF BOMBARDIER INC. OR ITS SUBSIDIARIES. THIS DOCUMENT CONTAINS CONFIDENTIAL PROPRIETARY INFORMATION. THE REPRODUCTION, DISTRIBUTION, UTILIZATION OR THE COMMUNICATION OF THIS DOCUMENT OR ANY PART THEREOF, WITHOUT EXPRESS AUTHORIZATION IS STRICTLY PROHIBITED. OFFENDERS WILL BE HELD LIABLE FOR THE PAYMENT OF DAMAGES.

AutoCAD

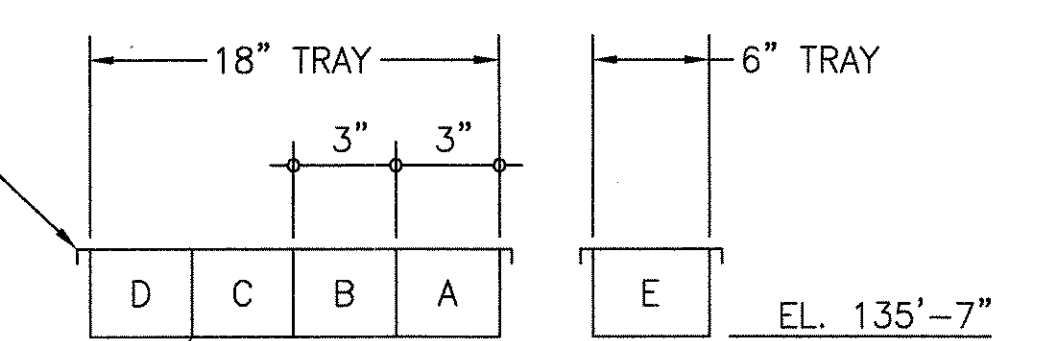
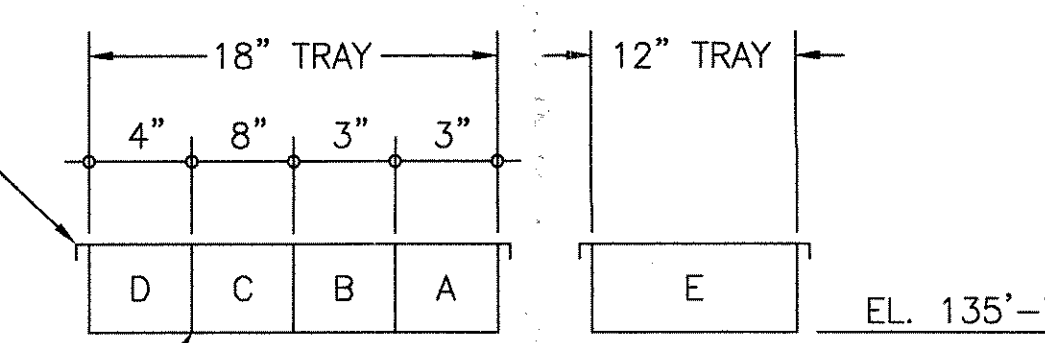
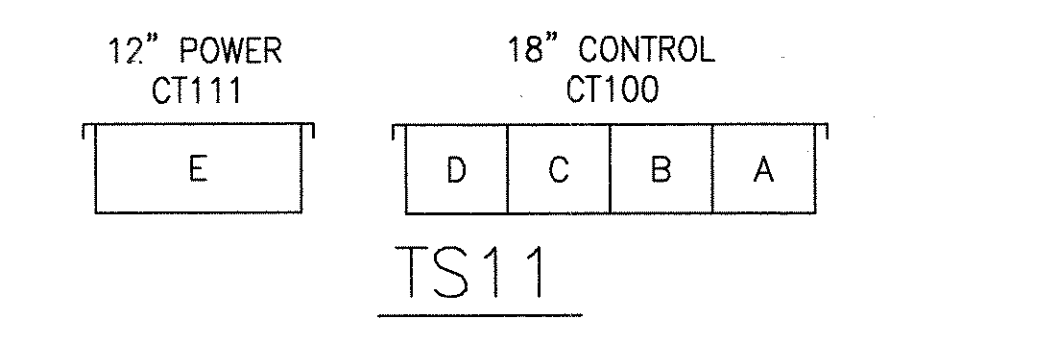
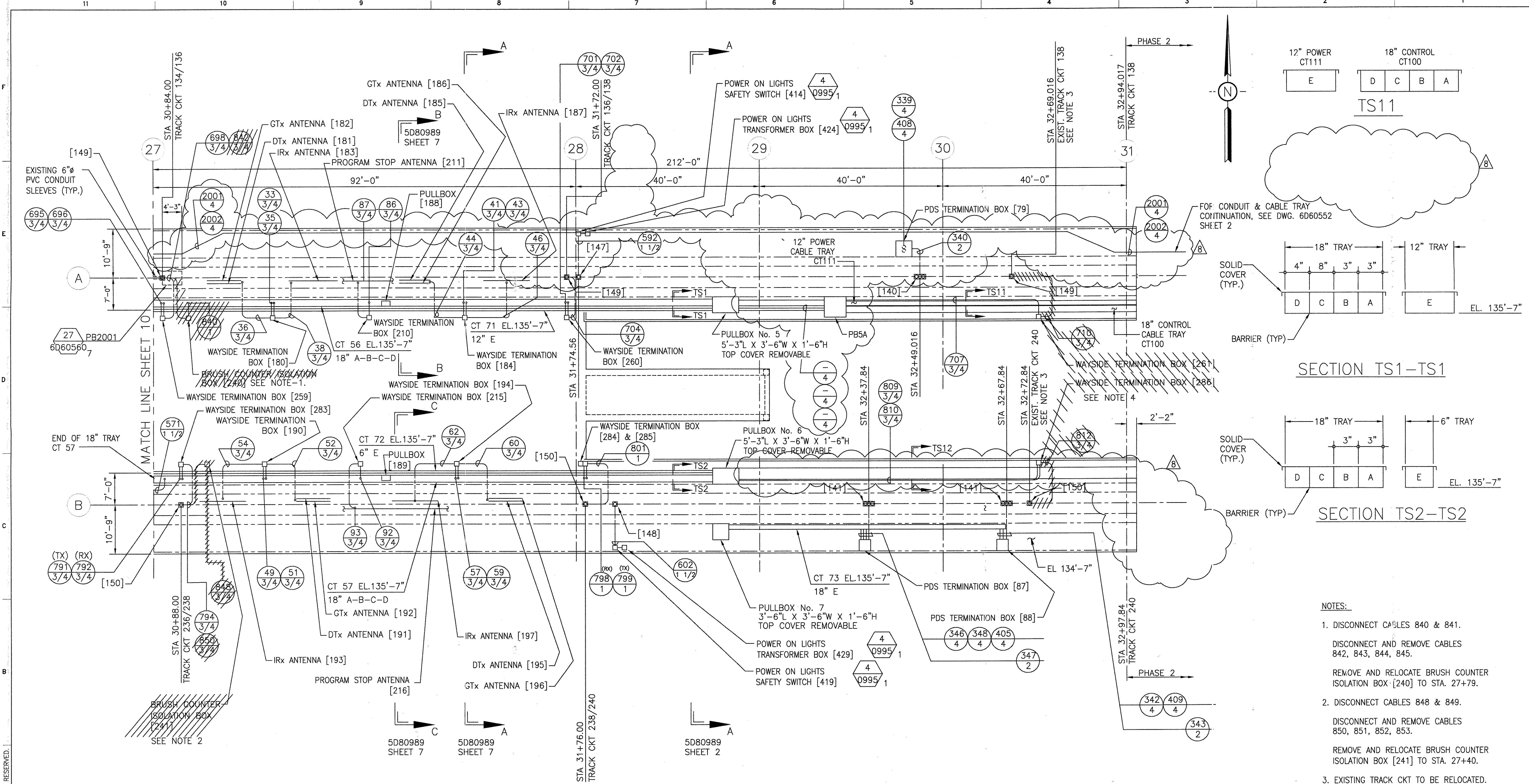
1	TCN HOAA-B2065 D. 5DS212-C CHANGE
3	TCN HOAA-B2065 ECN 37474 REVISED PER ENGR. MARKED PRINTS. ISSUED FOR CONSTRUCTION G.PALICHAT 5-1-98 P-STIRBIS E.D.MATTY
5	TCN HOAA-B2065 ECN 39334 REVISED PER AS BUILT DRAWINGS SEE SHEETS 1 THRU 9 AND 11 THRU 16 FOR CHANGES SEE PMS FOR CHANGES F.BELMARES 10-21-99 P-STIRBIS E.D.MATTY
6	TCN HOAB-B2065 ECN 42179 ADDED PHASE 2 15KV-4" CONDUITS SHORTHOUSE 7-23-02 P. KOCSIS J. CARNEVALE
8	SIGNATURES ON FILE TCN HOAB-B2065 WR 2001346 SHEETS 1, 10 & 11 REVISED PER AS BUILT CONDITIONS P. CARSON 7/31/05 A. ROMEO J. CARNEVALE

APPROVED BY:
DEPARTMENT OF AVIATION

Continental Airlines
ABOVEGROUND PEOPLE MOVER
George Bush Intercontinental Airport / Houston

DFTM.	J.LYNSKEY	DATE	7-31-97
CHKR.			
ENGRG.	P.STIRBIS	DATE	1-20-98
MFG.			
APPD.			
DFTG. / UPV.	E.D.MATTY	DATE	1-20-98

BOMBARDIER	
TITLE GEORGE BUSH INTERCONTINENTAL AIRPORT/HOUSTON GUIDEWAY CABLE TRAY & EXPOSED CONDUIT	
DIMENSIONS IN INCHES	
SIZE D	DWG. NO. 5D80992
SCALE 1:10	REV. 8
WT.	SHEET 10



SECTION TS1-TS1

SECTION TS2-TS2

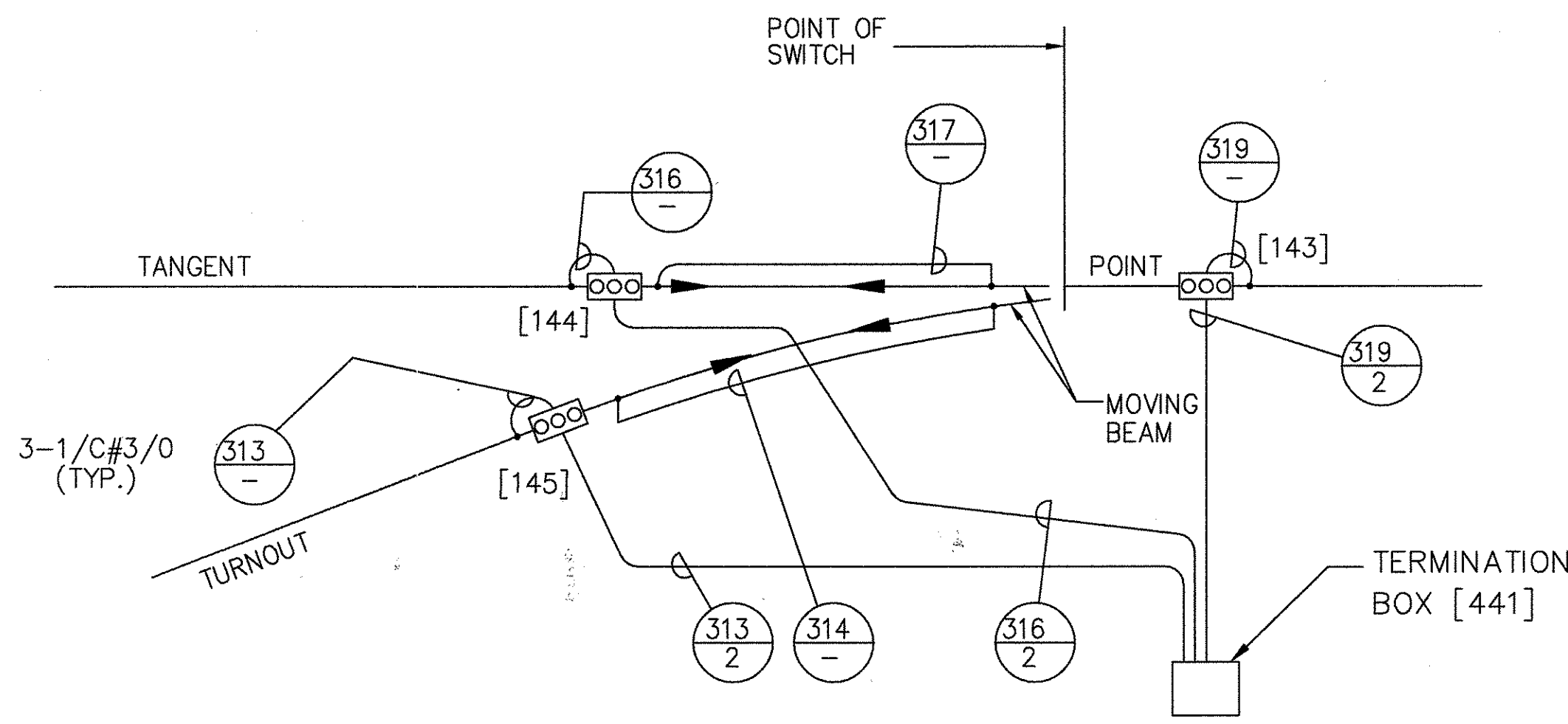
- NOTES:
- DISCONNECT CABLES 840 & 841.
DISCONNECT AND REMOVE CABLES 842, 843, 844, 845.
REMOVE AND RELOCATE BRUSH COUNTER ISOLATION BOX [240] TO STA. 27+79.
 - DISCONNECT CABLES 848 & 849.
DISCONNECT AND REMOVE CABLES 850, 851, 852, 853.
REMOVE AND RELOCATE BRUSH COUNTER ISOLATION BOX [241] TO STA. 27+40.
 - EXISTING TRACK CKT TO BE RELOCATED. SEE 6D60552 SHEET 2.
DISCONNECT & REMOVE CABLES 710, 812.
 - DISCONNECT EXISTING CABLES ONLY. REMOVE TERMINATION BOX.

PLAN
1"=10'-0"

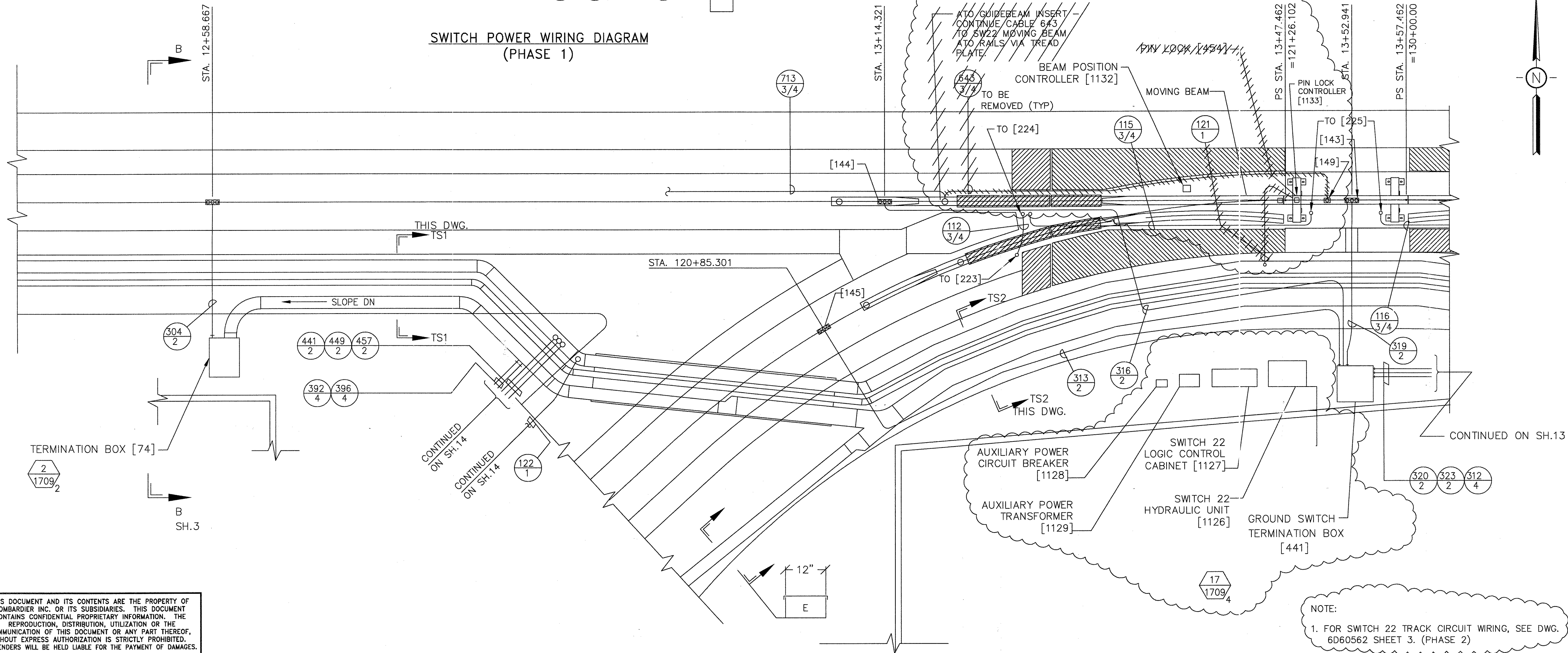
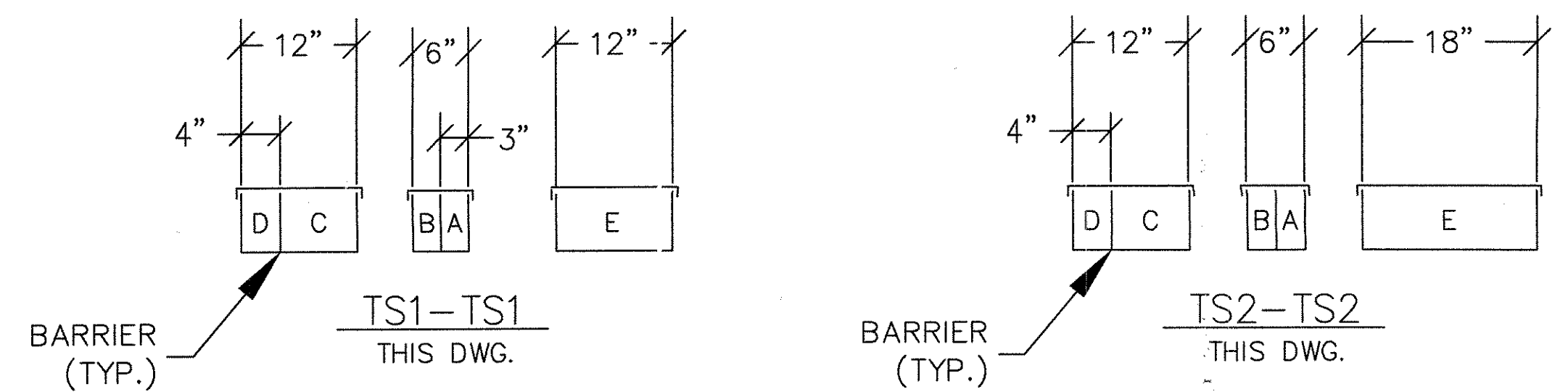
THIS DOCUMENT AND ITS CONTENTS ARE THE PROPERTY OF BOMBARDIER INC. OR ITS SUBSIDIARIES. THIS DOCUMENT CONTAINS CONFIDENTIAL PROPRIETARY INFORMATION. THE REPRODUCTION, DISTRIBUTION, UTILIZATION OR THE COMMUNICATION OF THIS DOCUMENT OR ANY PART THEREOF, WITHOUT EXPRESS AUTHORIZATION IS STRICTLY PROHIBITED. OFFENDERS WILL BE HELD LIABLE FOR THE PAYMENT OF DAMAGES.

AutoCAD

1 D. 5DS212-E CHANGE	3 TON HOAA-B2065 ECN 37474 REVISED PER ENGR. MARKED PRINTS. ISSUED FOR CONSTRUCTION G.PALICHAT 5-1-98 P-STIRBIS E.D.MATTY	5 TON HOAA-B2065 ECN 39334 REVISED PER AS BUILT DRAWINGS SEE SHEETS 1 THRU 10 AND 12 THRU 16 FOR CHANGES SEE PMS FOR CHANGES F.BELMARES 10-21-99 P-STIRBIS E.D.MATTY	6 TON HOAB-B2065 ECN 42179 ADDED PHASE 2, 15KV 4" CONDUITS, CABLE TRAYS REMOVED CABLE 710, 812, 848, 842, 850 ADDED TRACK BOUNDARY RELOCATED TRACK CKT 138, 238 ADDED CABLES 3094, 3095, 3096, 3097, 3098 3099, ADDED NOTES. REMOVED BRUSH COUNTERS [241], [241] SHORTHOUSE 7/24/02 P. KOCSIS J. CARNEVALE	7 TON HOAB-A3013 ECN 42923 REMOVED CABLES 3094, 3095, 3096, 3097, 3098, AND 3099 SEE SHEET 1 F. BELMARES 7/9/03 T. NEVILLE J. CARNEVALE	8 SIGNATURES ON FILE TON HOAB-B2065 WR 2001346 SHEETS 1, 10 & 11 REVISED PER AS BUILT CONDITIONS P. CARSON 7/31/05 A. ROMEO J. CARNEVALE	APPROVED BY: DEPARTMENT OF AVIATION	Continental Airlines ABOVEGROUND PEOPLE MOVER George Bush Intercontinental Airport / Houston	DFTM. K.SZEWZYK CHKR. ENGRG. P-STIRBIS MFG. APPD. DFTG. SUPV. E.D.MATTY	DATE 11-18-97 1-20-98 1-20-98	TITLE GEORGE BUSH INTERCONTINENTAL AIRPORT/HOUSTON GUIDEWAY CABLE TRAY & EXPOSED CONDUIT	DIMENSIONS IN INCHES SCALE 1:10 DWG. NO. 5D80992 SHEET 11	REV. 8
----------------------------	---	--	--	--	--	--	--	--	-------------------------------------	--	--	--------



SWITCH POWER WIRING DIAGRAM
(PHASE 1)



NOTE:
1. FOR SWITCH 22 TRACK CIRCUIT WIRING, SEE DWG. 6D60562 SHEET 3. (PHASE 2)

THIS DOCUMENT AND ITS CONTENTS ARE THE PROPERTY OF BOMBARDIER INC. OR ITS SUBSIDIARIES. THIS DOCUMENT CONTAINS CONFIDENTIAL PROPRIETARY INFORMATION. THE REPRODUCTION, DISTRIBUTION, UTILIZATION OR THE COMMUNICATION OF THIS DOCUMENT OR ANY PART THEREOF, WITHOUT EXPRESS AUTHORIZATION IS STRICTLY PROHIBITED. OFFENDERS WILL BE HELD LIABLE FOR THE PAYMENT OF DAMAGES.

TCN HOAB-B2065	1	CHANGE
D. 5DS212-F		
SIGNATURES ON FILE	6	
TCN HOAB-B2065		
ECN 42179		
ADDED SWITCH 22 EQUIPMENT, NOTES		
REMOVED CABLES 643, 121.		
SHORTHOUSE 7/24/02		
P. KOCIS		
J. CARNEVALE		
SIGNATURES ON FILE	8	
TCN HOAB-B2065		
WR 2001346		
NO DRAWING CHANGE TO THIS SHEET, FORMAT CHANGE ONLY		
P. CARSON 7/31/05		
A. ROMEO		
J. CARNEVALE		

AutoCAD

Continental Airlines

ABOVEGROUND
PEOPLE MOVER

George Bush
Intercontinental Airport / Houston

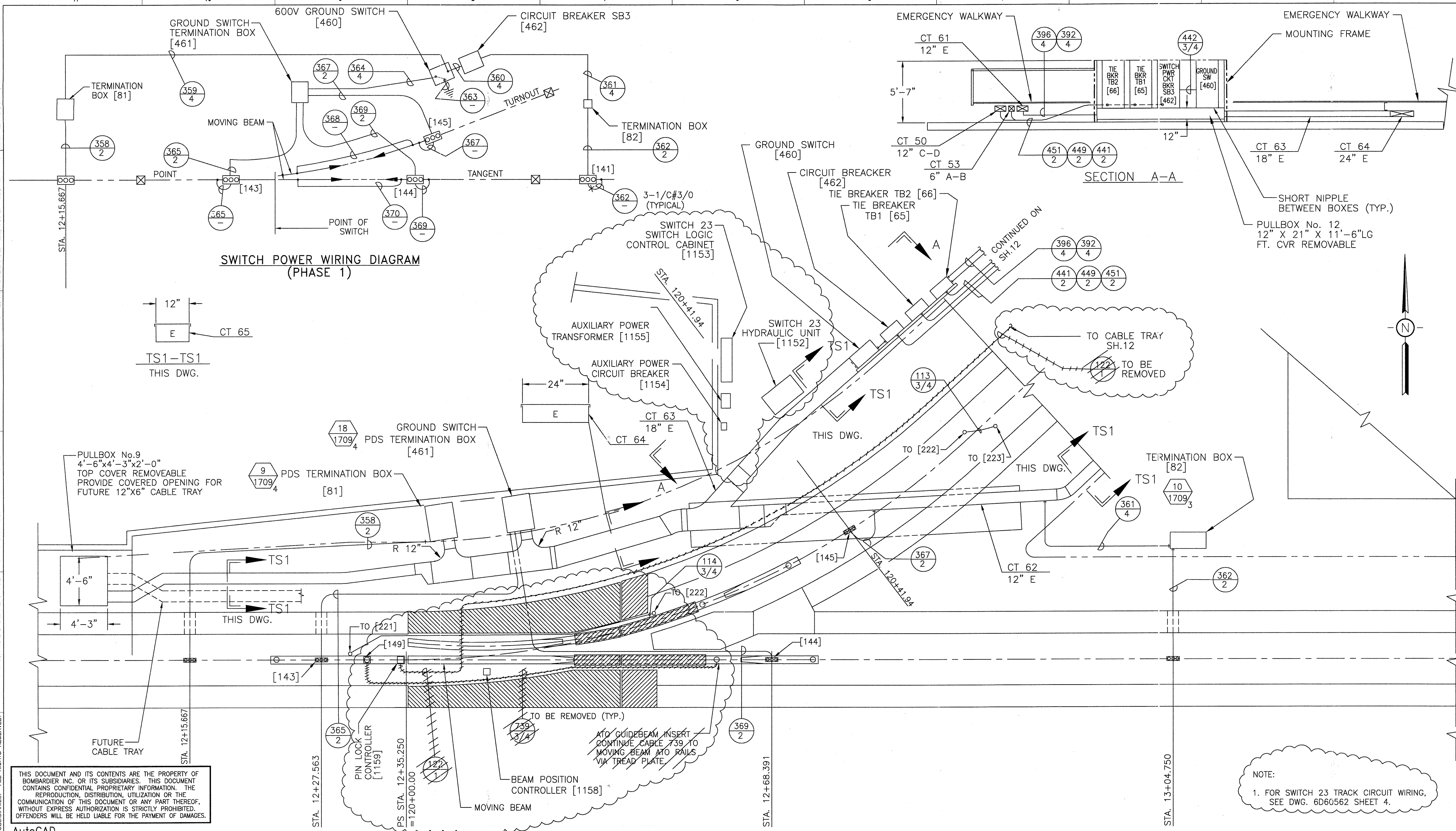
DFTM.	SZEWCZYK	DATE	9-15-97
CHKR.			
ENGRG.	P. STIRBIS	DATE	1-20-98
MFG.			
APPD.			
DFTG. / UPV.	E.D. MATTY	DATE	1-20-98

BOMBARDIER

TITLE
GEORGE BUSH INTERCONTINENTAL AIRPORT/HOUSTON
GUIDEWAY CABLE TRAY & EXPOSED CONDUIT

DIMENSIONS IN INCHES
SWITCH #22

SIZE	D	DWG. NO.	5D80992	REV.	8
SCALE	1/4" = 1'-0" WT.	SHEET	12		



THIS DOCUMENT AND ITS CONTENTS ARE THE PROPERTY OF BOMBARDIER INC. OR ITS SUBSIDIARIES. THIS DOCUMENT CONTAINS CONFIDENTIAL PROPRIETARY INFORMATION. THE REPRODUCTION, DISTRIBUTION, UTILIZATION OR THE COMMUNICATION OF THIS DOCUMENT OR ANY PART THEREOF, WITHOUT EXPRESS AUTHORIZATION IS STRICTLY PROHIBITED. OFFENDERS WILL BE HELD LIABLE FOR THE PAYMENT OF DAMAGES.

AutoCAD

1
D. 5DS212-F
CHANGE

6
SIGNATURES ON FILE
TCN HOAB-B2065
ECN 42179
ADDED SWITCH 23
EQUIPMENT, NOTES
REMOVED CABLES 122,
739
SHORTHOUSE 7/24/02
P. KOCISS
J. CARNEVALE

8
SIGNATURES ON FILE
TCN HOAB-B2065
WR 2001346
NO DRAWING CHANGE TO
THIS SHEET, FORMAT
CHANGE ONLY
P. CARSON 7/31/05
A. ROMEO
J. CARNEVALE

APPROVED BY:
DEPARTMENT OF AVIATION

Continental Airlines
ABOVEGROUND
PEOPLE MOVER
George Bush
Intercontinental Airport / Houston

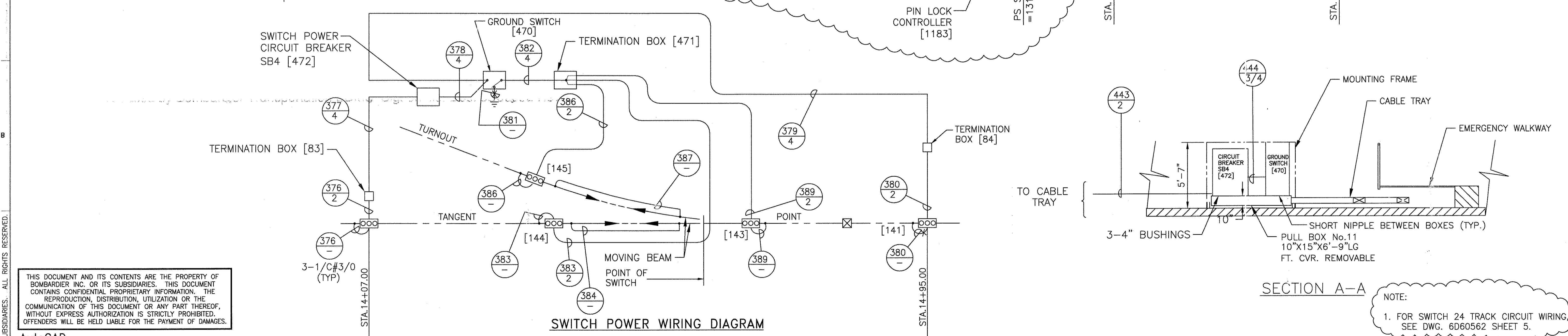
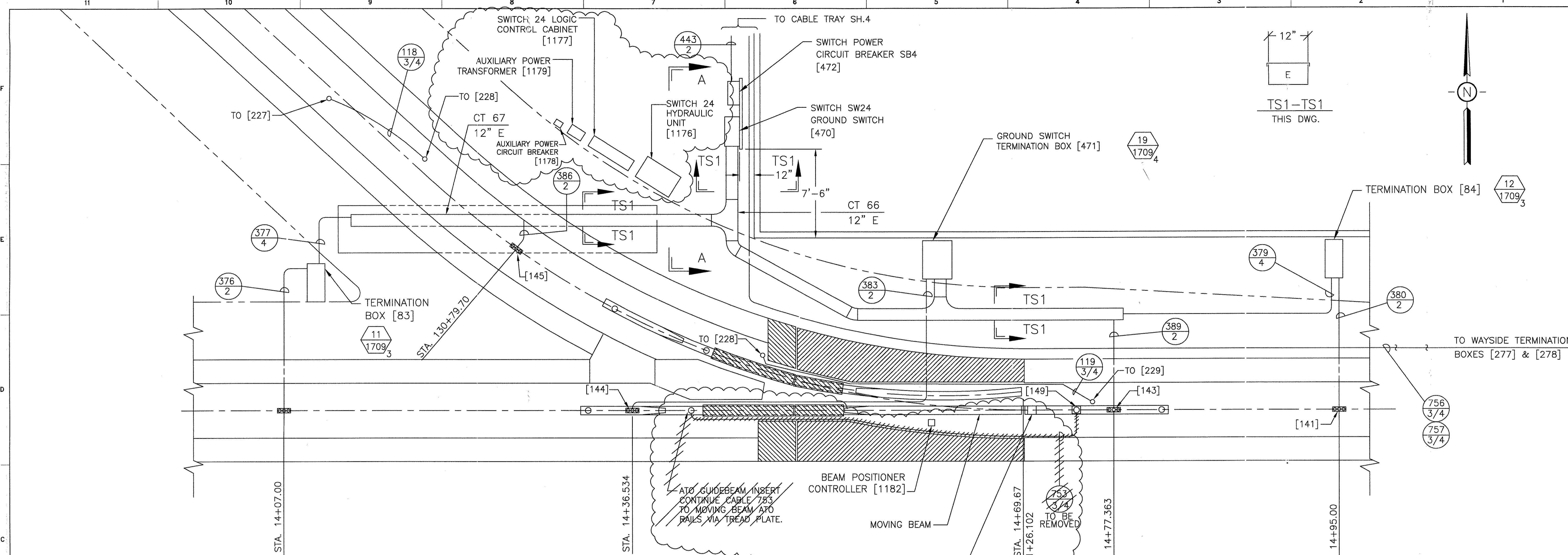
DFTM. SZEWCZYK
CHKR.
ENGRG. P. STIRBIS
MFG.
APPD.
DFTG. SUPV. E.D. MATTY

DATE 9-17-97
1-20-98
1-20-98

DATE 4/14

BOMBARDIER
TITLE GEORGE BUSH INTERCONTINENTAL AIRPORT/HOUSTON
GUIDEWAY CABLE TRAY & EXPOSED CONDUIT
DIMENSIONS IN INCHES SWITCH #23
SIZE D
DWG. NO. 5D80992
SCALE 1/4"=1'-0" WT.
SHEET 14

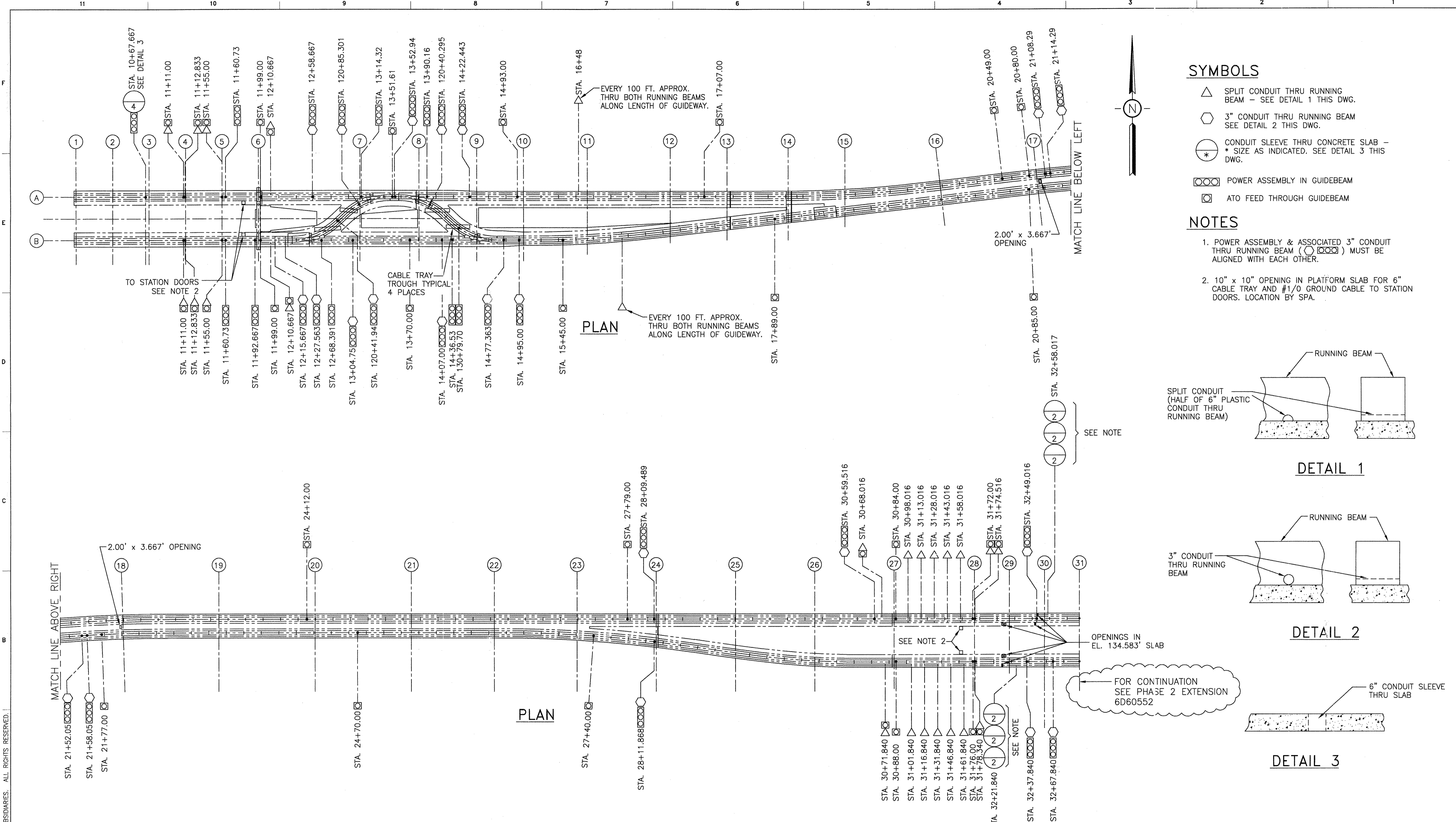
REV. 8



THIS DOCUMENT AND ITS CONTENTS ARE THE PROPERTY OF BOMBARDIER INC. OR ITS SUBSIDIARIES. THIS DOCUMENT CONTAINS CONFIDENTIAL PROPRIETARY INFORMATION. THE REPRODUCTION, DISTRIBUTION, UTILIZATION OR THE COMMUNICATION OF THIS DOCUMENT OR ANY PART THEREOF, WITHOUT EXPRESS AUTHORIZATION IS STRICTLY PROHIBITED. OFFENDERS WILL BE HELD LIABLE FOR THE PAYMENT OF DAMAGES.

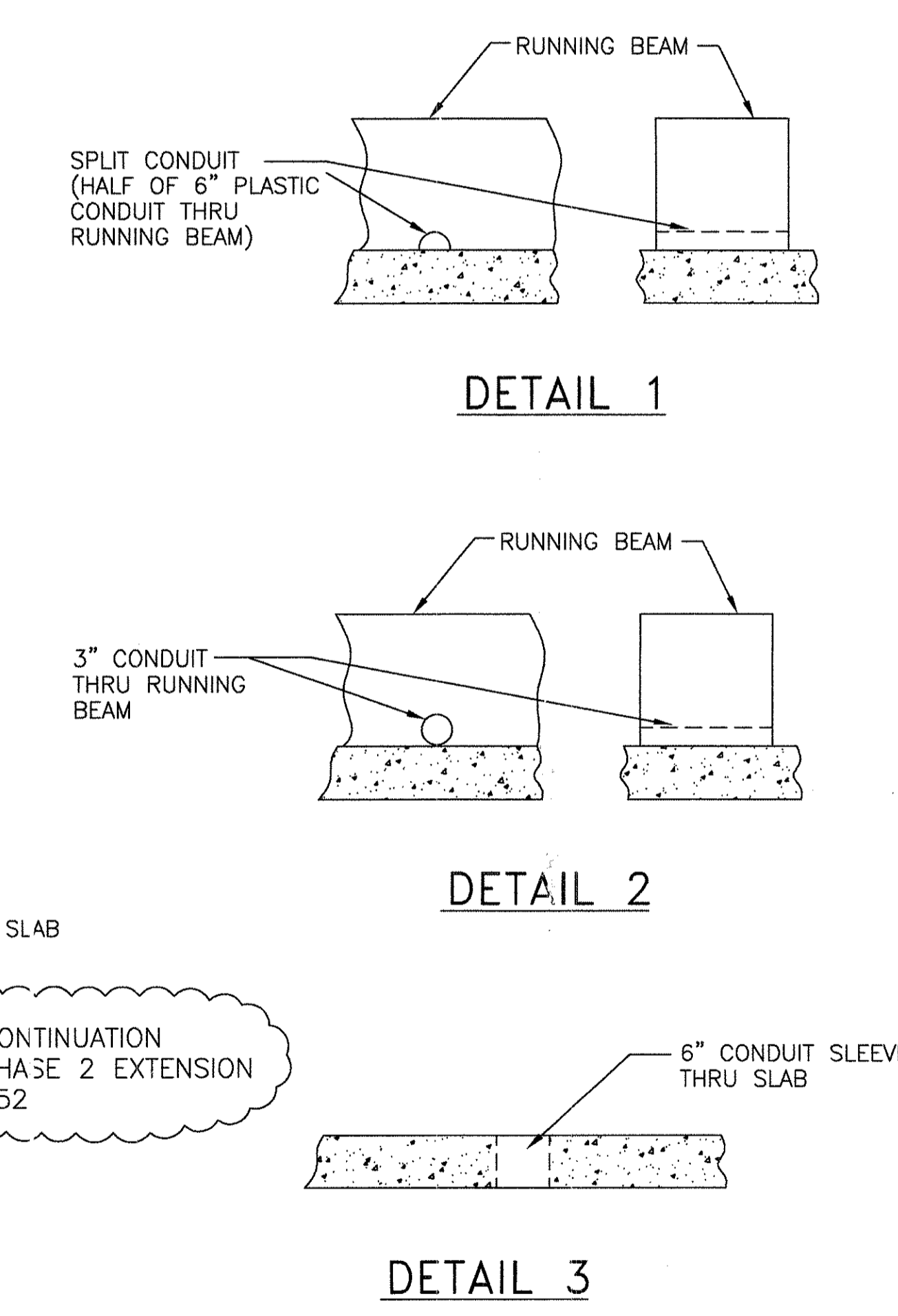
NOTE:
1. FOR SWITCH 24 TRACK CIRCUIT WIRING, SEE DWG. 6D60562 SHEET 5.

AutoCAD 1 D. 5DS212-F CHANGE (M)		2 TON HOAA-B2065 ECN 37195 REVISED PER ENGR. MARKED PRINTS. J. LYNKEY 2-4-98 P. STIRBIS E.D. MATTY (M)		3 TON-HOAA-B2065 ECN. 37474 UPDATED DRAWING PER ENGR MARK-UPS ISSUED FOR CONSTRUCTION GRECO 5-4-98 STIRBIS E. D. MATTY (R)		5 TON HOAA-B2065 ECN 39334 REVISED PER AS BUILT DRAWINGS SEE SHEETS 1 THRU 14 AND 16 FOR CHANGES. SEE PMS FOR CHANGES F. BELMARES 10-21-99 P. STIRBIS E.D.MATTY (R)		6 TON HOAB-B2065 ECN 42179 ADDED SWITCH 24 EQUIPMENT, NOTES REMOVED CABLE 753 SHORHOUSE 7/24/02 P. KOCCIS J. CARNEVALE (R)		8 SIGNATURES ON FILE TON HOAB-B2065 WR 2001/346 NO DRAWING CHANGE TO THIS SHEET, FORMAT CHANGE ONLY P. CARSON 7/31/05 A. ROMEO J. CARNEVALE		APPROVED BY: DEPARTMENT OF AVIATION		Continental Airlines ABOVEGROUND PEOPLE MOVER George Bush Intercontinental Airport / Houston		DFTM. K.SZEWZYK CHKR. ENGRG. P. STIRBIS MFG. APPD. DFTG. SUPV. E.D.MATTY DATE 9-16-97 1-20-98 1-20-98		BOMBARDIER TITLE GEORGE BUSH INTERCONTINENTAL AIRPORT/HOUSTON GUIDEWAY CABLE TRAY & EXPOSED CONDUIT SWITCH #24 DIMENSIONS IN INCHES DWG. NO. 5D80992 SCALE 1/4"=1'-0" WT. SHEET 15 HUSTON1, REV. 1	
---	--	---	--	--	--	--	--	--	--	--	--	--	--	---	--	---	--	---	--



- ### SYMBOLS
- △ SPLIT CONDUIT THRU RUNNING BEAM - SEE DETAIL 1 THIS DWG.
 - 3" CONDUIT THRU RUNNING BEAM SEE DETAIL 2 THIS DWG.
 - * CONDUIT SLEEVE THRU CONCRETE SLAB - * SIZE AS INDICATED. SEE DETAIL 3 THIS DWG.
 - ○ ○ ○ POWER ASSEMBLY IN GUIDE BEAM
 - ATO FEED THROUGH GUIDE BEAM

- ### NOTES
1. POWER ASSEMBLY & ASSOCIATED 3" CONDUIT THRU RUNNING BEAM (○ ○ ○ ○) MUST BE ALIGNED WITH EACH OTHER.
 2. 10" x 10" OPENING IN PLATFORM SLAB FOR 6" CABLE TRAY AND #1/0 GROUND CABLE TO STATION DOORS. LOCATION BY SPA.



1	TCN HOAB-B2065 D. 5D5212-D CHANGE
6	SIGNATURES ON FILE TCN HOAB-B2065 ECN 42179 PHASE 2 EXTENSION NOTE ADDED SEE SHEETS 1 THRU 15 FOR CHANGES SHORTHOUSE 7/25/02 P. KOCIS J. CARNEVALE
8	SIGNATURES ON FILE TCN HOAB-B2065 WR 2001346 NO DRAWING CHANGE TO THIS SHEET. FORMAT CHANGE ONLY P. CARSON 7/31/05 A. ROMEO J. CARNEVALE

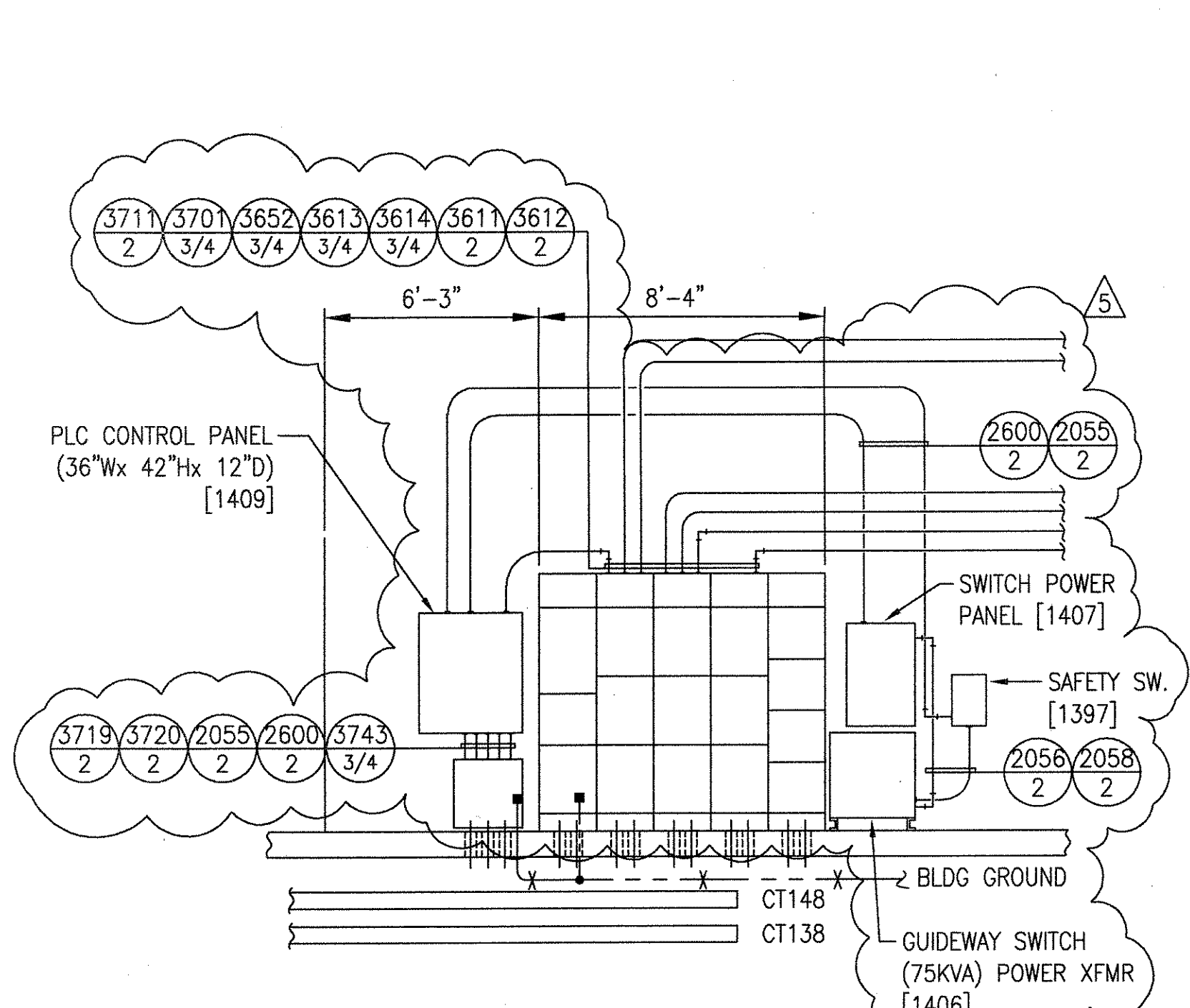
THIS DOCUMENT AND ITS CONTENTS ARE THE PROPERTY OF BOMBARDIER INC. OR ITS SUBSIDIARIES. THIS DOCUMENT CONTAINS CONFIDENTIAL PROPRIETARY INFORMATION. THE REPRODUCTION, DISTRIBUTION, UTILIZATION OR THE COMMUNICATION OF THIS DOCUMENT OR ANY PART THEREOF, WITHOUT EXPRESS AUTHORIZATION IS STRICTLY PROHIBITED. OFFENDERS WILL BE HELD LIABLE FOR THE PAYMENT OF DAMAGES.

APPROVED BY:
DEPARTMENT OF AVIATION

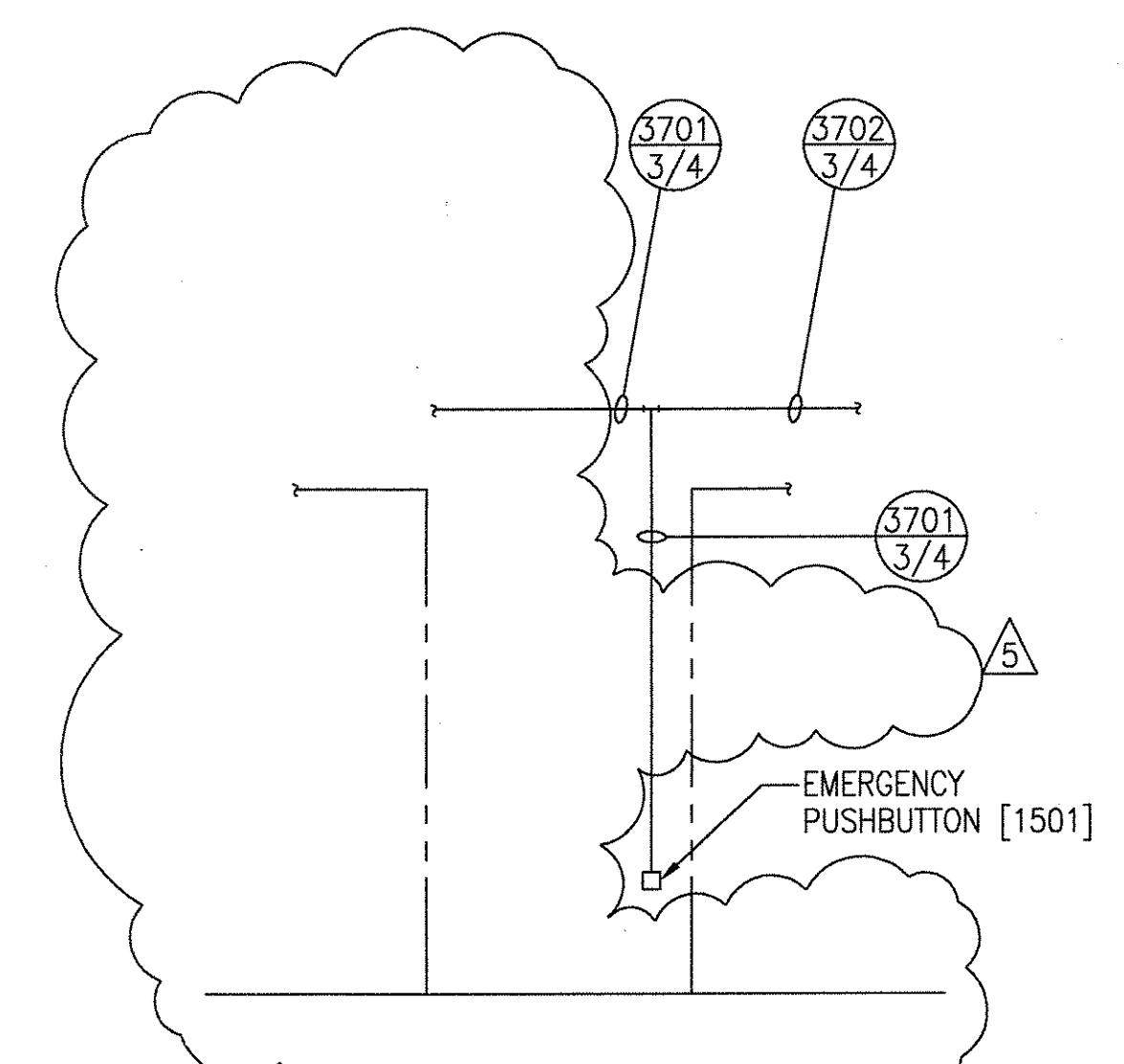
Continental Airlines
ABOVEGROUND PEOPLE MOVER
George Bush Intercontinental Airport / Houston

DFTM.	J.LYNSKEY	DATE	8-5-97
CHKR.			
ENGRG.	P.STIRBIS	1-20-98	
MFG.			
APPD.			
DFTG. & UPV.	E.D.MATTY	1-20-98	

BOMBARDIER	
TITLE GEORGE BUSH INTERCONTINENTAL AIRPORT/ HOUSTON	
GUIDEWAY CABLE TRAY & EXPOSED CONDUIT	
PWR. ASS'Y. & EMBEDDED COND. LOCATION PLANS & DETAILS	
SIZE D	DWG. NO. 5D80992
SCALE 1"=50' WT.	REV. 8
SHEET 16	HUSTON01, REV.



SECTION A-A
SCALE: 1/4"=1'-0"



SECTION B-B
SCALE: 1/4"=1'-0"

THIS DOCUMENT AND ITS CONTENTS ARE THE PROPERTY OF BOMBARDIER INC. OR ITS SUBSIDIARIES. THIS DOCUMENT CONTAINS CONFIDENTIAL PROPRIETARY INFORMATION. THE REPRODUCTION, DISTRIBUTION, UTILIZATION OR THE COMMUNICATION OF THIS DOCUMENT OR ANY PART THEREOF, WITHOUT EXPRESS AUTHORIZATION IS STRICTLY PROHIBITED. OFFENDERS WILL BE HELD LIABLE FOR THE PAYMENT OF DAMAGES.

AutoCAD

1	CHANGE	
2	SIGNATURES ON FILE	TCN HOAB-B2065 ECN 42734
3	SIGNATURES ON FILE	TCN HOAB-B2065 ECN 42824
4	SIGNATURES ON FILE	TCN HOAB-A3013 ECN 42923
5	SIGNATURES ON FILE	TCN HOAB-B2065 WR 2001346

1	ADDED WARNING LIGHT AT END OF TRACK	R.D. PELKEY 4/15/03
2	ADDED NOISE DETECTION TO MAINT. FLOOR	T. NEVILLE 5/4/03
3	ADDED 3738	J.R. CARNEVALE 5/5/03
4	REVISED 3616	J.R. CARNEVALE
5	ISSUE FOR CONSTRUCTION	R.D. PELKEY 4/15/03
6	ISSUE FOR CONSTRUCTION	T. NEVILLE 5/4/03
7	ISSUE FOR CONSTRUCTION	J.R. CARNEVALE 5/5/03

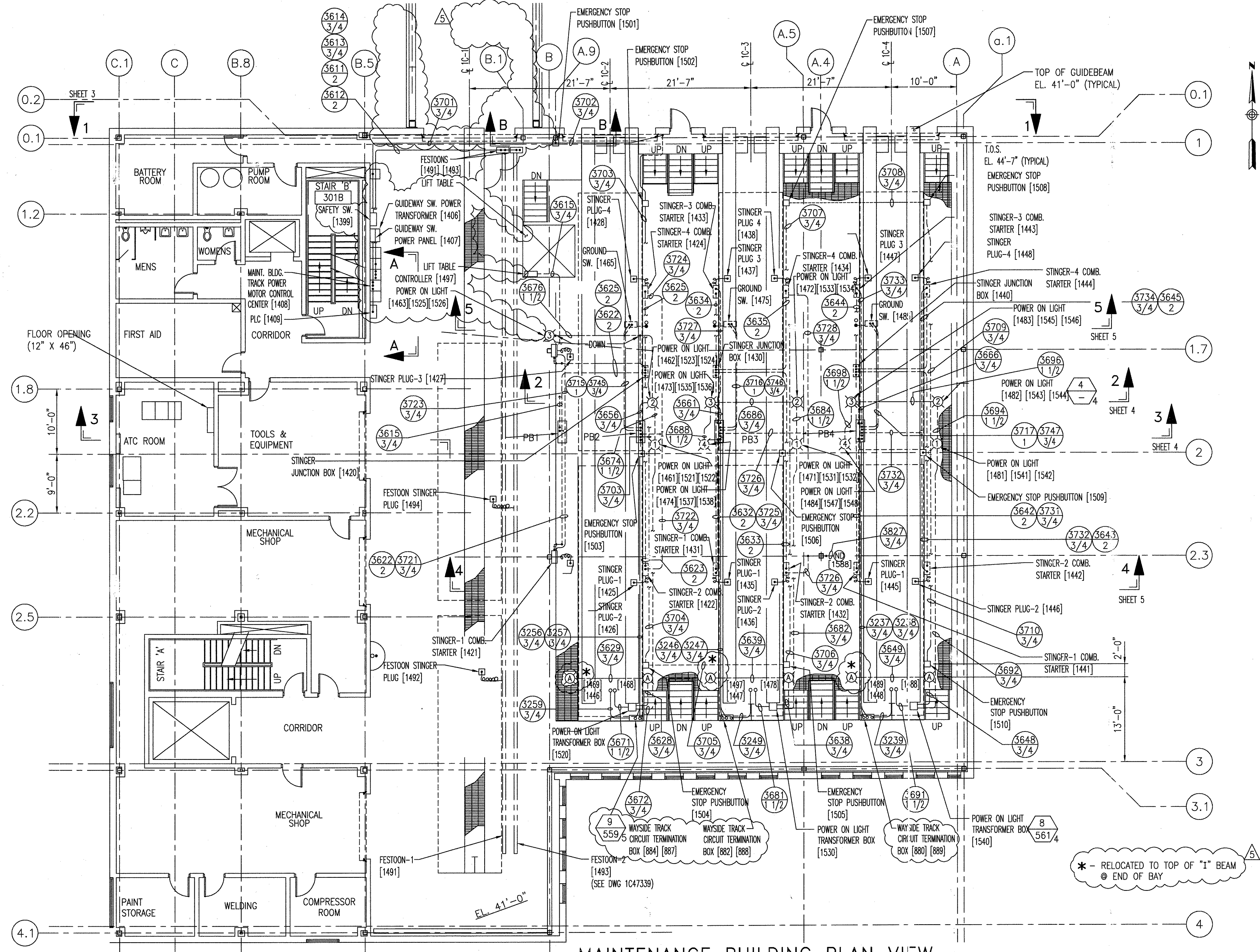
1	ADDED TERMINATION BOXES [887], [888] & [889]	F. BELMARES 7-2-03
2	SEE SHEETS 2, 4 AND 5 FOR CHANGES.	T. NEVILLE
3	SEE SHEETS 2, 4 AND 5 FOR CHANGES.	J. CARNEVALE
4	SEE SHEETS 1, 2, 3, 6 & 7 REVISED PER AS BUILT CONDITIONS	P. CARSON 7/31/05
5	SEE SHEETS 1, 2, 3, 6 & 7 REVISED PER AS BUILT CONDITIONS	A. ROMEO
6	SEE SHEETS 1, 2, 3, 6 & 7 REVISED PER AS BUILT CONDITIONS	J. CARNEVALE

1	ADDED TERMINATION BOXES [887], [888] & [889]	F. BELMARES 7-2-03
2	SEE SHEETS 2, 4 AND 5 FOR CHANGES.	T. NEVILLE
3	SEE SHEETS 2, 4 AND 5 FOR CHANGES.	J. CARNEVALE
4	SEE SHEETS 1, 2, 3, 6 & 7 REVISED PER AS BUILT CONDITIONS	P. CARSON 7/31/05
5	SEE SHEETS 1, 2, 3, 6 & 7 REVISED PER AS BUILT CONDITIONS	A. ROMEO
6	SEE SHEETS 1, 2, 3, 6 & 7 REVISED PER AS BUILT CONDITIONS	J. CARNEVALE

1	ADDED TERMINATION BOXES [887], [888] & [889]	F. BELMARES 7-2-03
2	SEE SHEETS 2, 4 AND 5 FOR CHANGES.	T. NEVILLE
3	SEE SHEETS 2, 4 AND 5 FOR CHANGES.	J. CARNEVALE
4	SEE SHEETS 1, 2, 3, 6 & 7 REVISED PER AS BUILT CONDITIONS	P. CARSON 7/31/05
5	SEE SHEETS 1, 2, 3, 6 & 7 REVISED PER AS BUILT CONDITIONS	A. ROMEO
6	SEE SHEETS 1, 2, 3, 6 & 7 REVISED PER AS BUILT CONDITIONS	J. CARNEVALE

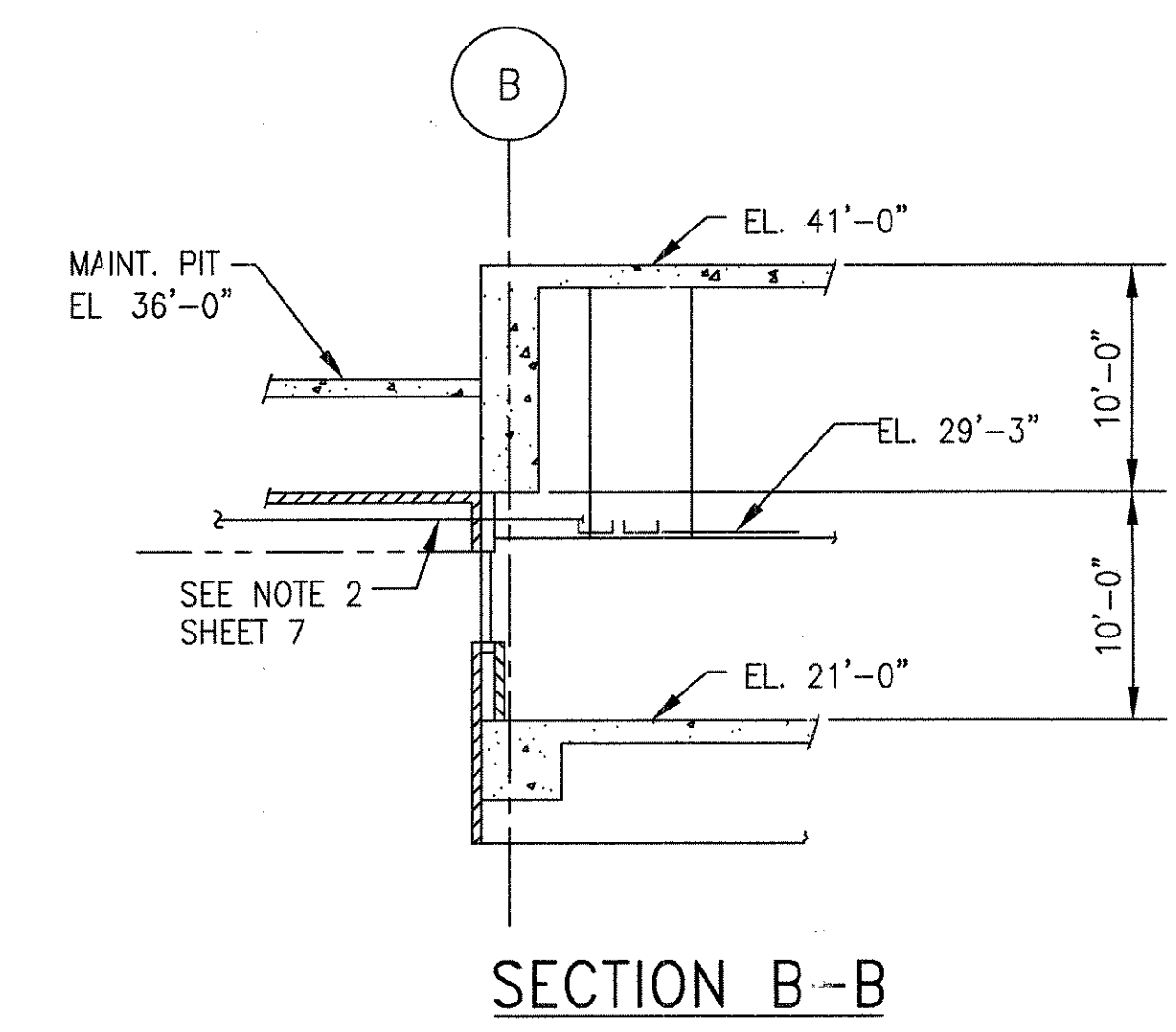
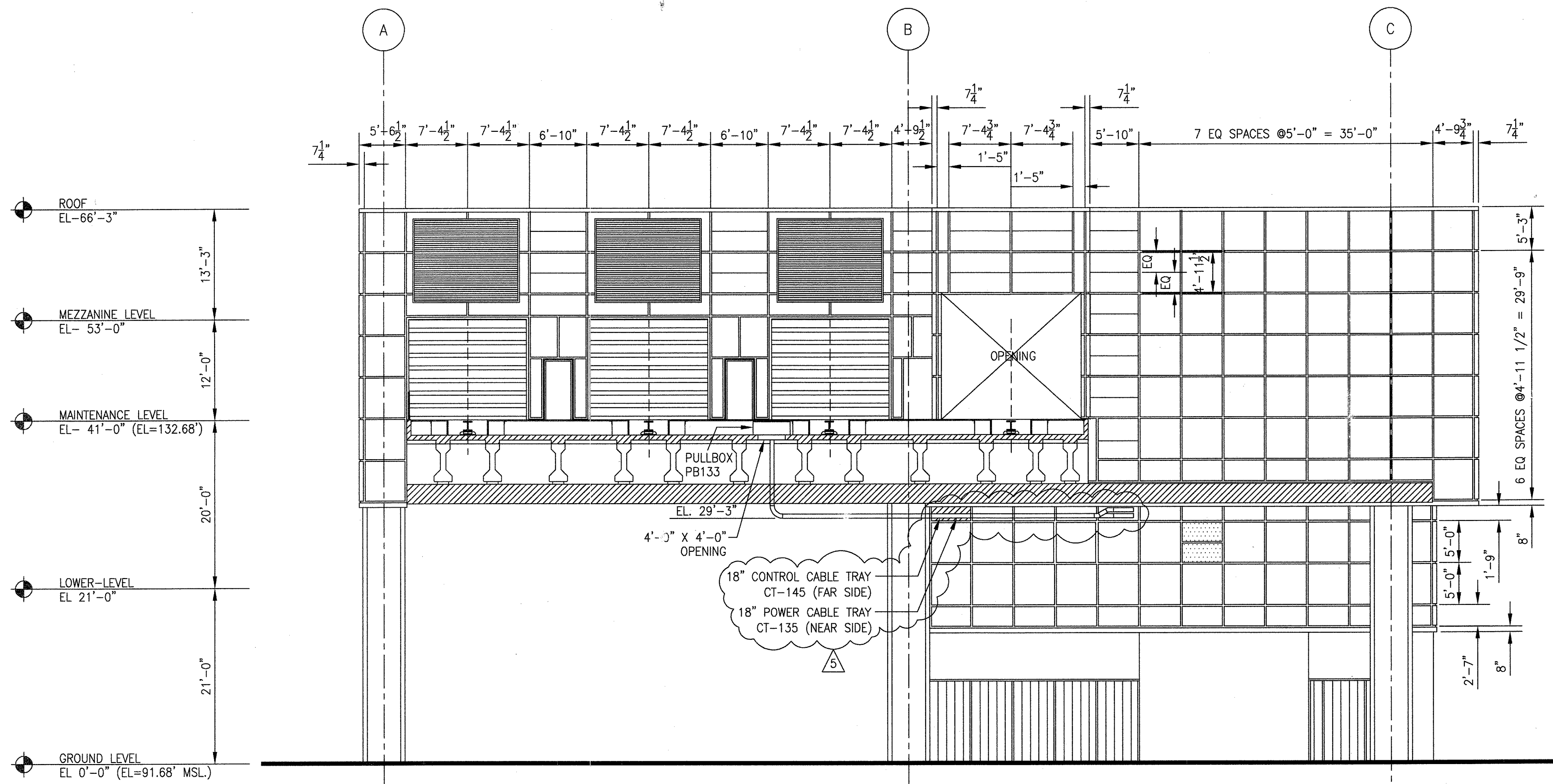
1	ADDED TERMINATION BOXES [887], [888] & [889]	F. BELMARES 7-2-03
2	SEE SHEETS 2, 4 AND 5 FOR CHANGES.	T. NEVILLE
3	SEE SHEETS 2, 4 AND 5 FOR CHANGES.	J. CARNEVALE
4	SEE SHEETS 1, 2, 3, 6 & 7 REVISED PER AS BUILT CONDITIONS	P. CARSON 7/31/05
5	SEE SHEETS 1, 2, 3, 6 & 7 REVISED PER AS BUILT CONDITIONS	A. ROMEO
6	SEE SHEETS 1, 2, 3, 6 & 7 REVISED PER AS BUILT CONDITIONS	J. CARNEVALE

1	ADDED TERMINATION BOXES [887], [888] & [889]	F. BELMARES 7-2-03
2	SEE SHEETS 2, 4 AND 5 FOR CHANGES.	T. NEVILLE
3	SEE SHEETS 2, 4 AND 5 FOR CHANGES.	J. CARNEVALE
4	SEE SHEETS 1, 2, 3, 6 & 7 REVISED PER AS BUILT CONDITIONS	P. CARSON 7/31/05
5	SEE SHEETS 1, 2, 3, 6 & 7 REVISED PER AS BUILT CONDITIONS	A. ROMEO
6	SEE SHEETS 1, 2, 3, 6 & 7 REVISED PER AS BUILT CONDITIONS	J. CARNEVALE



MAINTENANCE BUILDING PLAN VIEW

* - RELOCATED TO TOP OF "I" BEAM @ END OF BAY



SECTION ELEVATION 1-1

THIS DOCUMENT AND ITS CONTENTS ARE THE PROPERTY OF BOMBARDIER INC. OR ITS SUBSIDIARIES. THIS DOCUMENT CONTAINS CONFIDENTIAL PROPRIETARY INFORMATION. THE REPRODUCTION, DISTRIBUTION, UTILIZATION OR THE COMMUNICATION OF THIS DOCUMENT OR ANY PART THEREOF, WITHOUT EXPRESS AUTHORIZATION IS STRICTLY PROHIBITED. OFFENDERS WILL BE HELD LIABLE FOR THE PAYMENT OF DAMAGES.

AutoCAD

1	TCN HOAB-B2065 D. 7DSB73-A CHANGE
2	SIGNATURES ON FILE TCN HOAB-B2065 ECN 42734
3	SIGNATURES ON FILE TCN HOAB-B2065 ECN42824
4	SIGNATURES ON FILE TCN HOAB-B2065 ECN42923
5	SIGNATURES ON FILE TCN HOAB-B2065 WR 2001346

NO CHANGE THIS SHEET
ISSUE FOR CONSTRUCTION
R.D. PELKEY 4/15/03
T. NEVILLE 5/4/03
J. CARNEVALE 5/5/03

NO CHANGE THIS SHEET
SEE SHEETS 1, 2, 4 & 5
F. BELMARES 7/2/03
T. NEVILLE
J. CARNEVALE

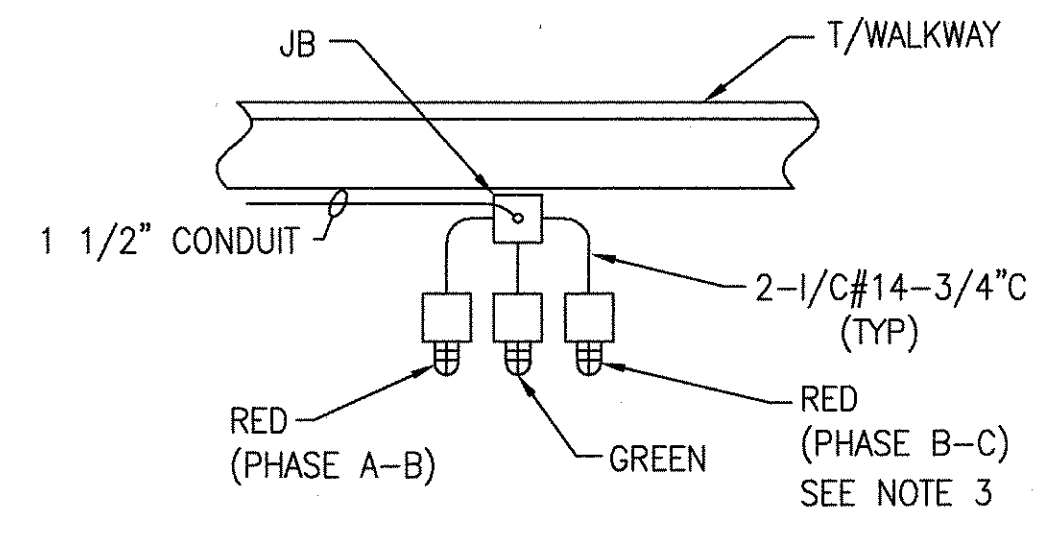
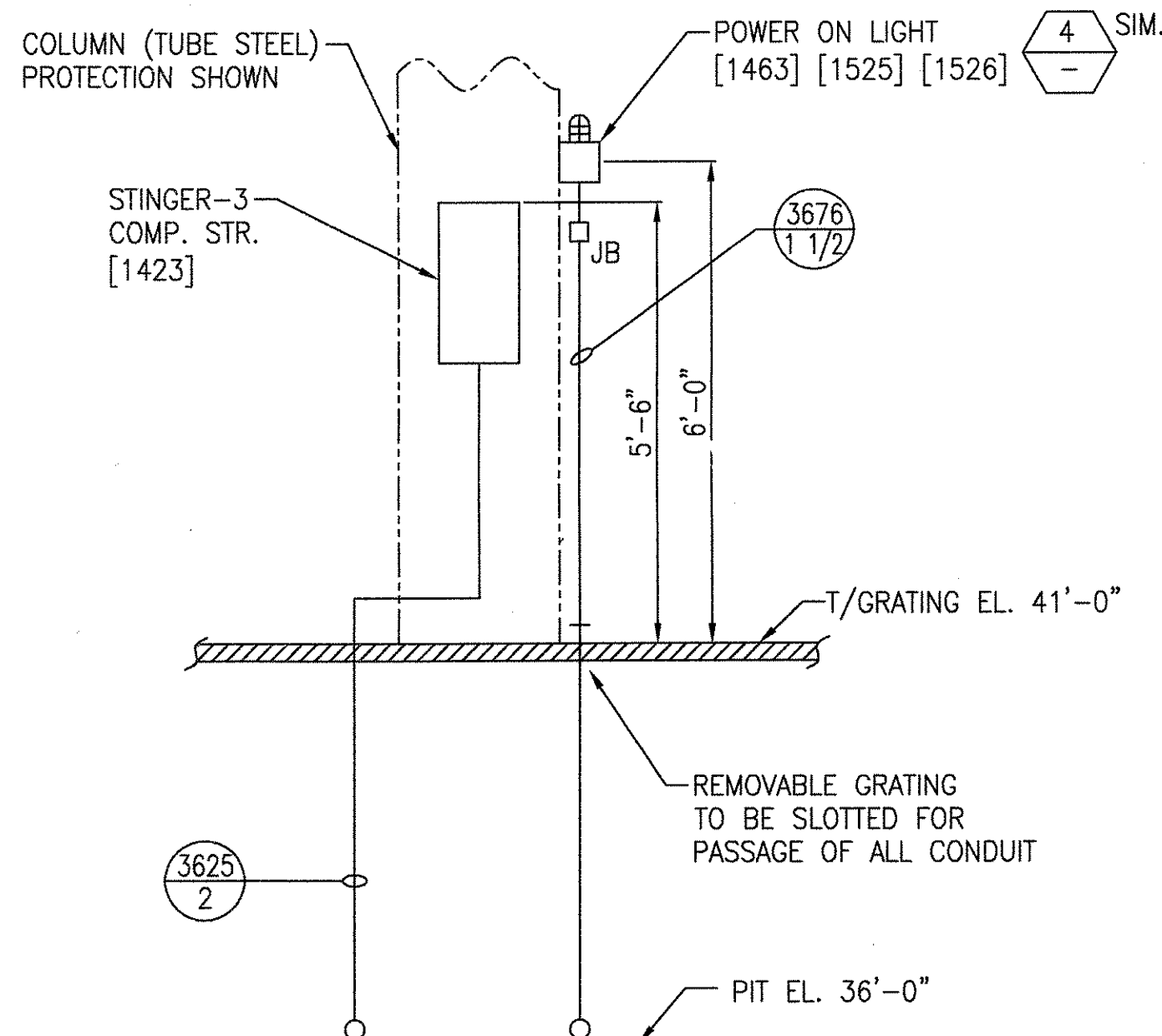
SHEETS 1, 2, 3, 6 & 7
REVISED PER AS BUILT
CONDITIONS
P. CARSON 7/31/05
A. ROMEO
J. CARNEVALE

FLATNESS	<input type="checkbox"/>
STRAIGHTNESS	<input type="checkbox"/>
ROUNDNESS (CIRCULARITY)	<input type="checkbox"/>
CYLINDRICITY	<input type="checkbox"/>
PROFILE OF ANY LINE	<input type="checkbox"/>
PROFILE OF ANY SURFACE	<input type="checkbox"/>
PARALLELISM	<input type="checkbox"/>
PERPENDICULARITY (SQUARENESS)	<input type="checkbox"/>
ANGULARITY	<input type="checkbox"/>
RUNOUT	<input type="checkbox"/>
TRUE POSITION	<input type="checkbox"/>
CONCENTRICITY	<input type="checkbox"/>
SYMMETRY	<input type="checkbox"/>
MAXIMUM MATERIAL CONDITION (MMC)	<input type="checkbox"/>
REGARDLESS OF FEATURE SIZE	<input type="checkbox"/>

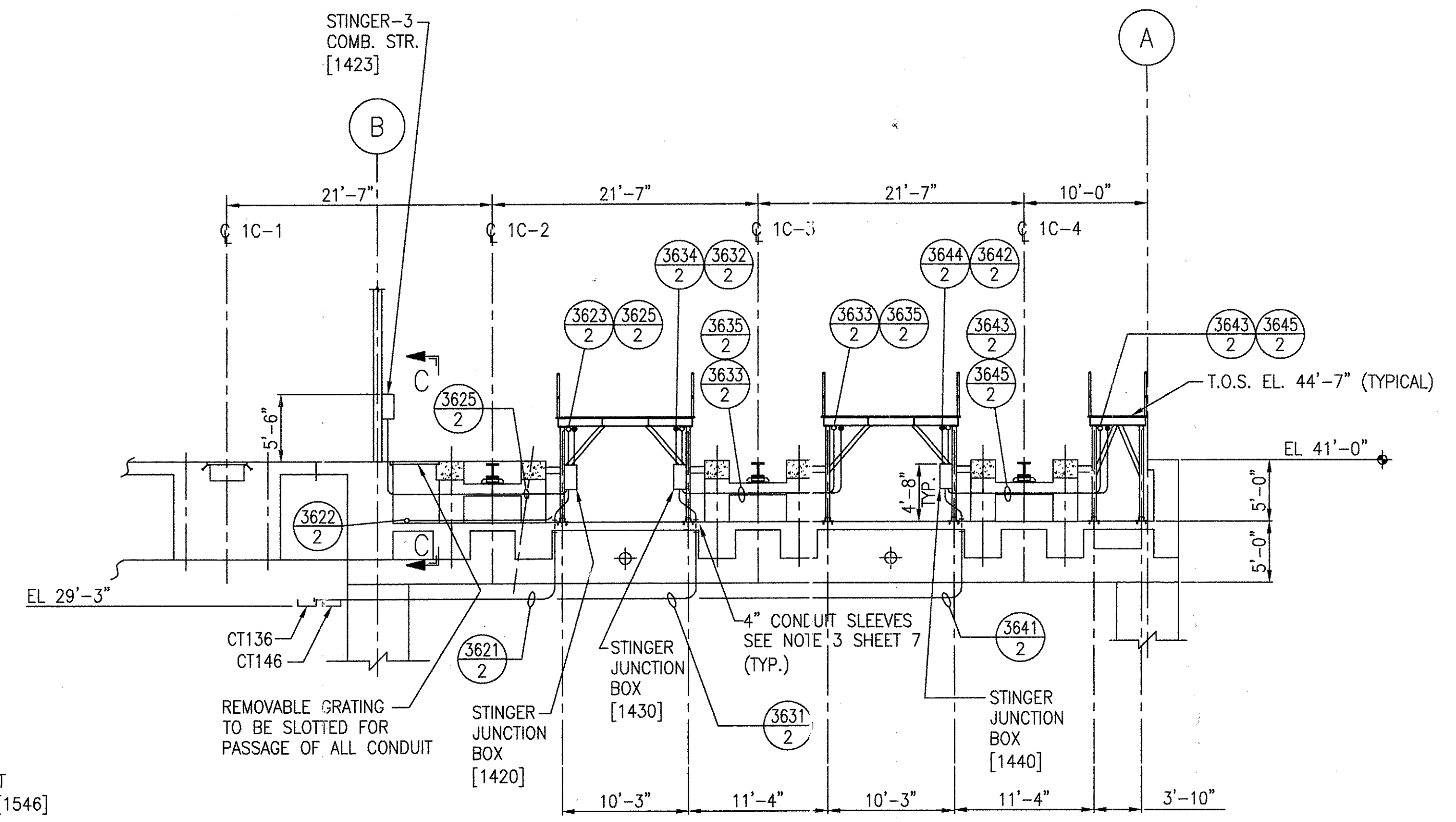
DFTM.	ECE/PWI	DATE	1-2-02
CHKR.			
ENGRG.	T. NEVILLE	DATE	11-27-01
MFG.			
APPD.			
DFTG. & UPV.	J. CARNEVALE	350	

BOMBARDIER	
TITLE GEORGE BUSH INTERCONTINENTAL AIRPORT	
HOUSTON PHASE 2 EXTENSION	
DIMENSIONS IN MAINTENANCE BUILDING SECTIONS	
SIZE	D
DWG. NO.	6D60559
REV.	5
SCALE	NONE
WT.	
SHEET	3

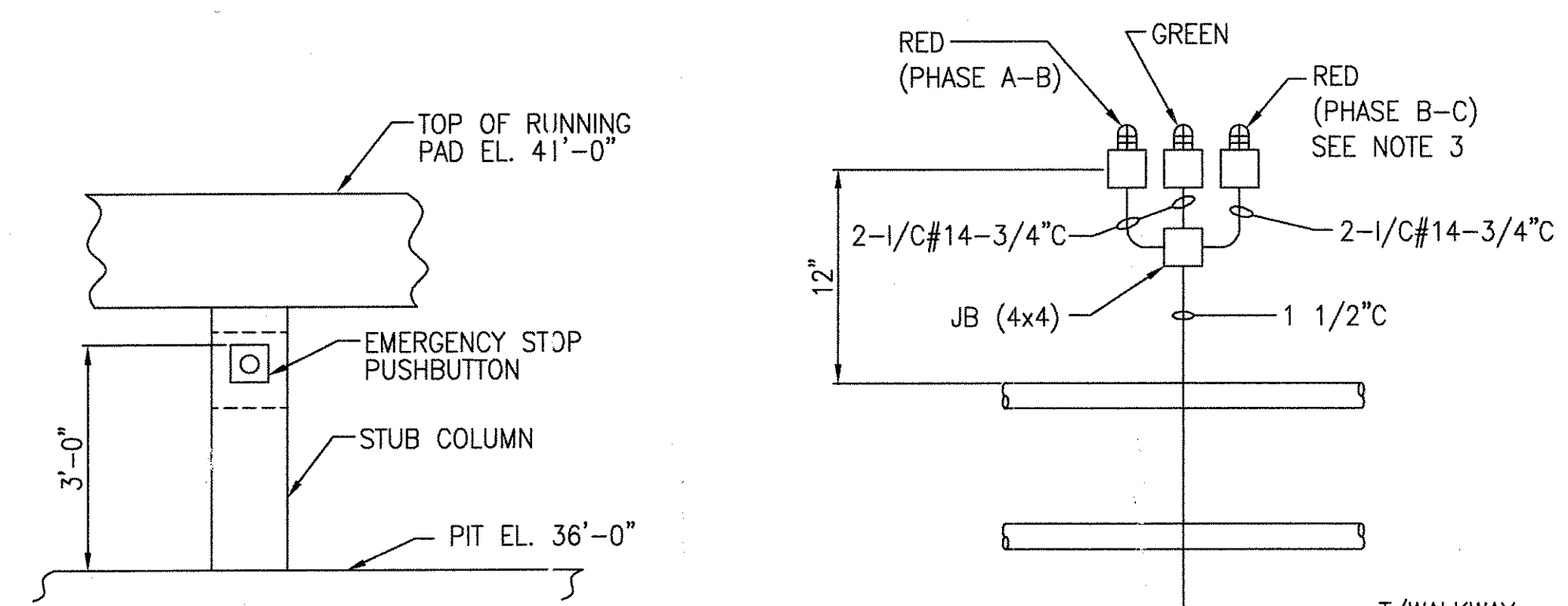
© 2005 BOMBARDIER INC. OR ITS SUBSIDIARIES. ALL RIGHTS RESERVED.



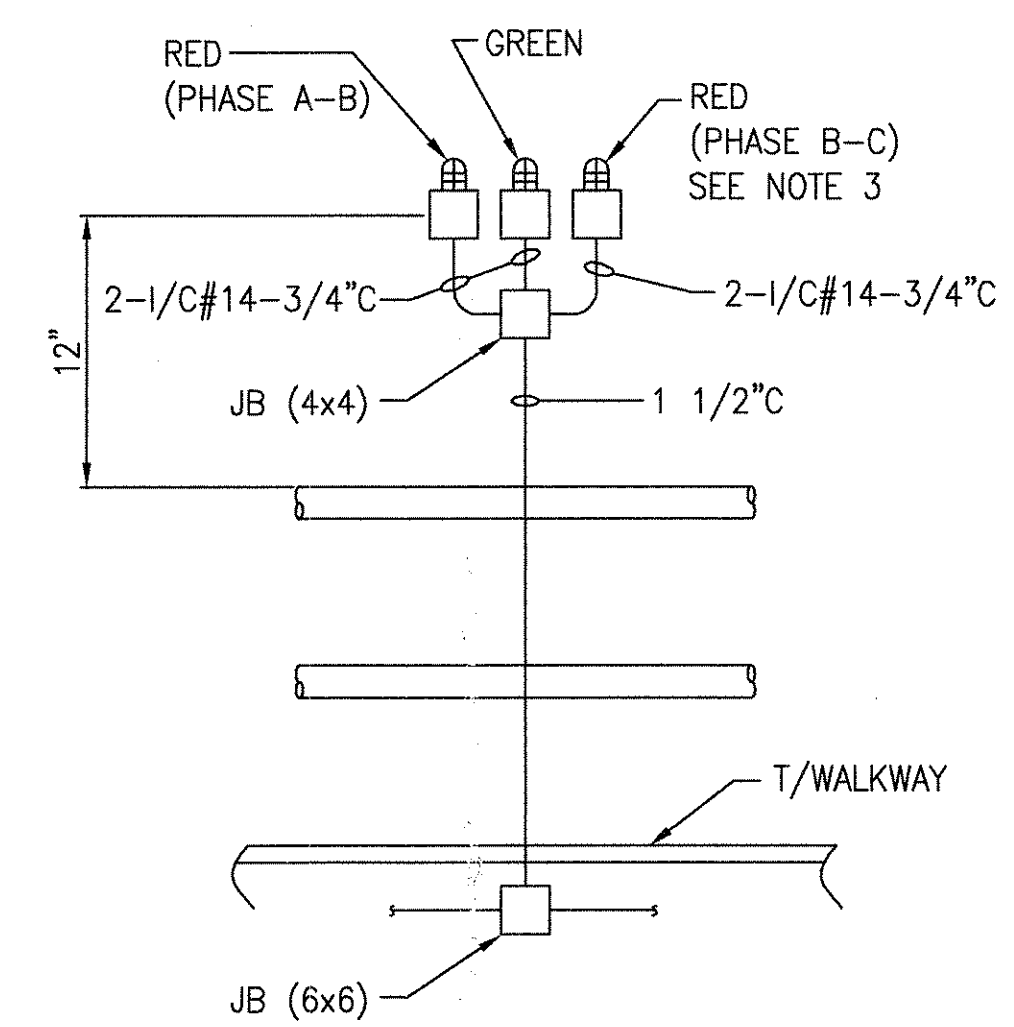
DETAIL-5
NTS



SECTION ELEVATION 2-2



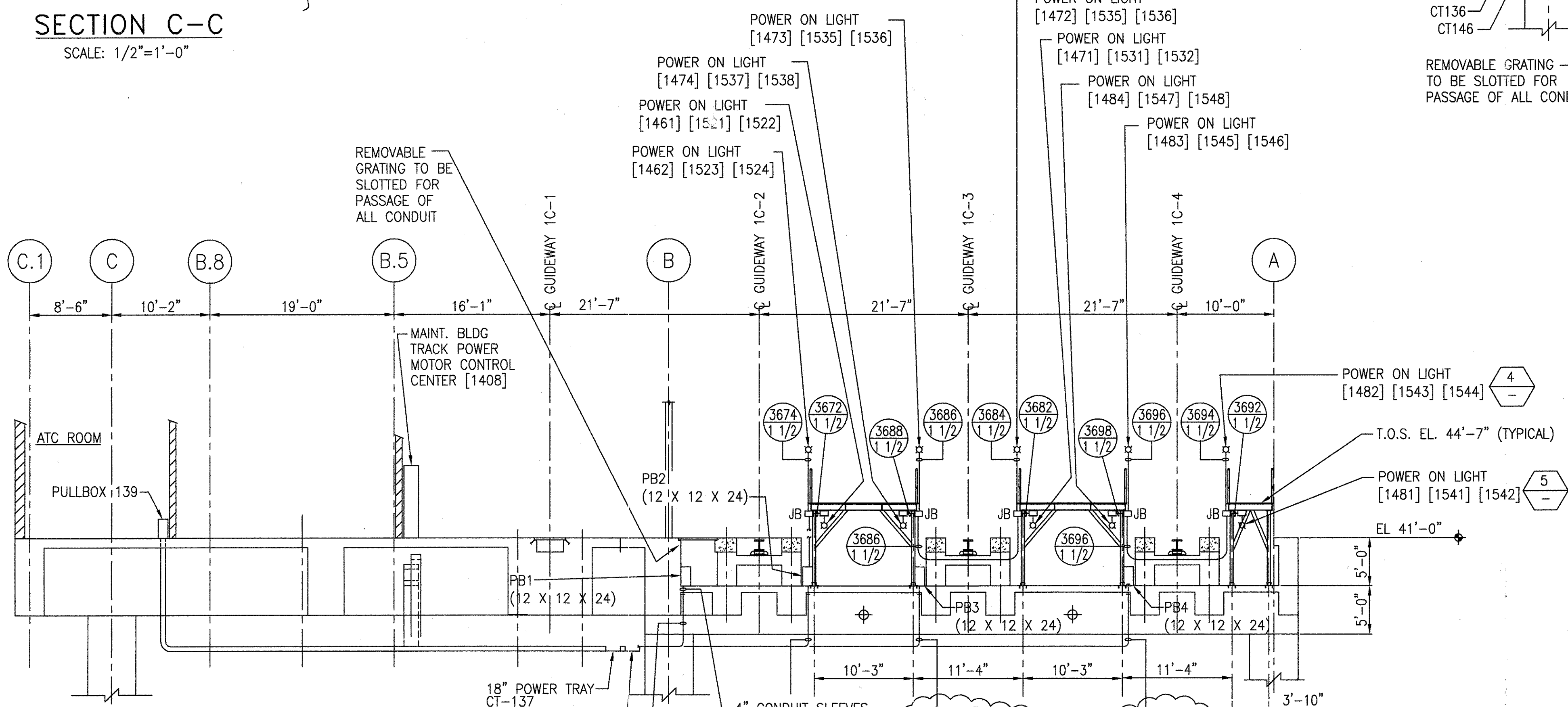
DETAIL-3
SCALE: 1/2"=1'-0"



DETAIL-4
NTS

- NOTE:**
- LIGHT FIXTURE SHALL BE 75W CROUSE-HINDS TYPE VDA (OR EQUAL) W/ GLOBE AND GUARD.
 - RED LIGHT INDICATES POWER ON RAIL GREEN LIGHT INDICATES NO POWER ON RAIL.
 - FOR WIRING DIAGRAM SEE 6D60565 SH.6

SECTION C-C
SCALE: 1/2"=1'-0"



SECTION ELEVATION 3-3

THIS DOCUMENT AND ITS CONTENTS ARE THE PROPERTY OF BOMBARDIER INC. OR ITS SUBSIDIARIES. THIS DOCUMENT CONTAINS CONFIDENTIAL PROPRIETARY INFORMATION. THE REPRODUCTION, DISTRIBUTION, UTILIZATION OR THE COMMUNICATION OF THIS DOCUMENT OR ANY PART THEREOF, WITHOUT EXPRESS AUTHORIZATION IS STRICTLY PROHIBITED. OFFENDERS WILL BE HELD LIABLE FOR THE PAYMENT OF DAMAGES.

AutoCAD

1	CHANGE	IT.
2	SIGNATURES ON FILE	
3	NO CHANGE THIS SHEET	
4	SIGNATURES ON FILE	
5	SIGNATURES ON FILE	

1	TCN HOAB-B2065 ECN 42734
2	TCN HOAB-B2065 ECN 42824
3	TCN HOAB-A3013 ECN 42923
4	TCN HOAB-B2065 ECN 2001346
5	TCN HOAB-B2065 ECN 2001346

1	R.D. PELKEY 4/15/03
2	T. NEVILLE 5/4/03
3	J.R. CARNEVALE 5/5/03
4	R.D. PELKEY 7/2/03
5	J.R. CARNEVALE

1	R.D. PELKEY 4/15/03
2	T. NEVILLE 5/4/03
3	J.R. CARNEVALE 5/5/03
4	R.D. PELKEY 7/2/03
5	J.R. CARNEVALE

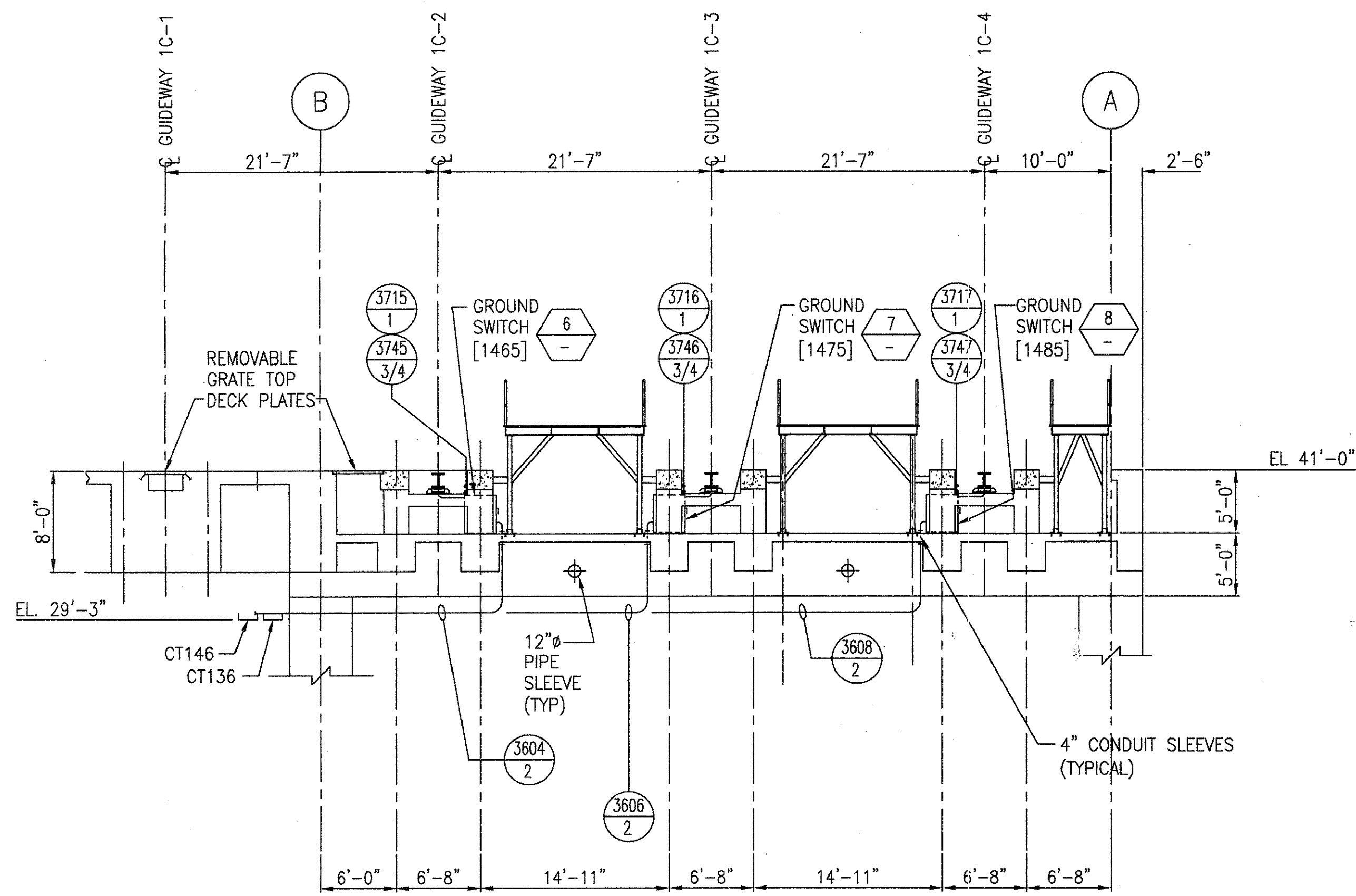
1	R.D. PELKEY 4/15/03
2	T. NEVILLE 5/4/03
3	J.R. CARNEVALE 5/5/03
4	R.D. PELKEY 7/2/03
5	J.R. CARNEVALE

1	R.D. PELKEY 4/15/03
2	T. NEVILLE 5/4/03
3	J.R. CARNEVALE 5/5/03
4	R.D. PELKEY 7/2/03
5	J.R. CARNEVALE

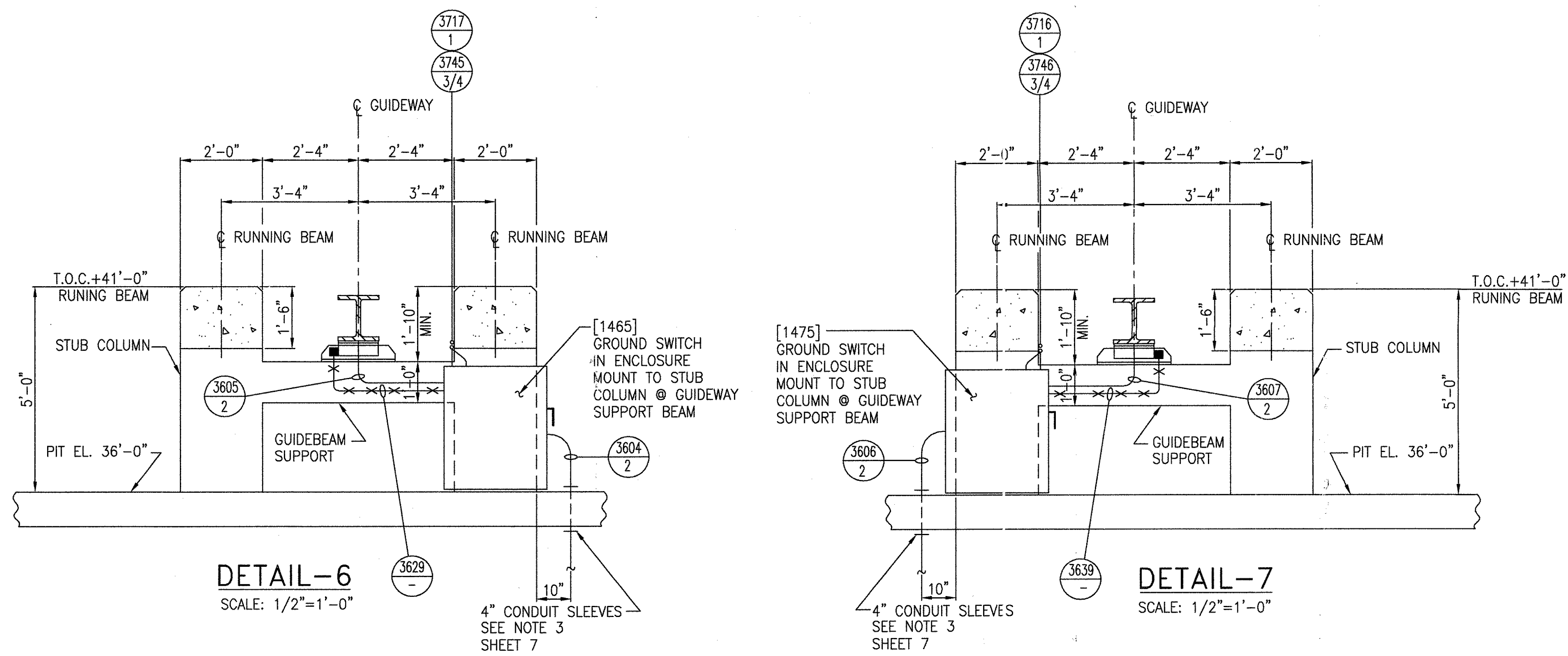
1	R.D. PELKEY 4/15/03
2	T. NEVILLE 5/4/03
3	J.R. CARNEVALE 5/5/03
4	R.D. PELKEY 7/2/03
5	J.R. CARNEVALE

1	R.D. PELKEY 4/15/03
2	T. NEVILLE 5/4/03
3	J.R. CARNEVALE 5/5/03
4	R.D. PELKEY 7/2/03
5	J.R. CARNEVALE

DATE		1-2-02
DFTM. ECE./PWI		
CHKR.		
ENGRG.		T. NEVILLE 11-27-01
MFG.		
APPD.		
DFTG. SUPV.		J. CARNEVALE
DATE		11-27-01
DFTM. ECE./PWI		
CHKR.		
ENGRG.		T. NEVILLE 11-27-01
MFG.		
APPD.		
DFTG. SUPV.		J. CARNEVALE
DATE		11-27-01
DFTM. ECE./PWI		
CHKR.		
ENGRG.		T. NEVILLE 11-27-01
MFG.		
APPD.		
DFTG. SUPV.		J. CARNEVALE
DATE		11-27-01
DFTM. ECE./PWI		
CHKR.		
ENGRG.		T. NEVILLE 11-27-01
MFG.		
APPD.		
DFTG. SUPV.		J. CARNEVALE
DATE		11-27-01
DFTM. ECE./PWI		
CHKR.		
ENGRG.		T. NEVILLE 11-27-01
MFG.		
APPD.		
DFTG. SUPV.		J. CARNEVALE
DATE		11-27-01
DFTM. ECE./PWI		
CHKR.		
ENGRG.		T. NEVILLE 11-27-01
MFG.		
APPD.		
DFTG. SUPV.		J. CARNEVALE
DATE		11-27-01
DFTM. ECE./PWI		
CHKR.		
ENGRG.		T. NEVILLE 11-27-01
MFG.		
APPD.		
DFTG. SUPV.		J. CARNEVALE
DATE		11-27-01
DFTM. ECE./PWI		
CHKR.		
ENGRG.		T. NEVILLE 11-27-01
MFG.		
APPD.		
DFTG. SUPV.		J. CARNEVALE
DATE		11-27-01
DFTM. ECE./PWI		
CHKR.		
ENGRG.		T. NEVILLE 11-27-01
MFG.		
APPD.		
DFTG. SUPV.		J. CARNEVALE
DATE		11-27-01
DFTM. ECE./PWI		
CHKR.		
ENGRG.		T. NEVILLE 11-27-01
MFG.		
APPD.		
DFTG. SUPV.		J. CARNEVALE
DATE		11-27-01
DFTM. ECE./PWI		
CHKR.		
ENGRG.		T. NEVILLE 11-27-01
MFG.		
APPD.		
DFTG. SUPV.		J. CARNEVALE
DATE		11-27-01
DFTM. ECE./PWI		
CHKR.		
ENGRG.		T. NEVILLE 11-27-01
MFG.		
APPD.		
DFTG. SUPV.		J. CARNEVALE
DATE		11-27-01
DFTM. ECE./PWI		
CHKR.		
ENGRG.		T. NEVILLE 11-27-01
MFG.		
APPD.		
DFTG. SUPV.		J. CARNEVALE
DATE		11-27-01
DFTM. ECE./PWI		
CHKR.		
ENGRG.		T. NEVILLE 11-27-01
MFG.		
APPD.		
DFTG. SUPV.		J. CARNEVALE
DATE		11-27-01
DFTM. ECE./PWI		
CHKR.		
ENGRG.		T. NEVILLE 11-27-01
MFG.		
APPD.		
DFTG. SUPV.		J. CARNEVALE
DATE		11-27-01
DFTM. ECE./PWI		
CHKR.		
ENGRG.		T. NEVILLE 11-27-01
MFG.		
APPD.		
DFTG. SUPV.		J. CARNEVALE
DATE		11-27-01
DFTM. ECE./PWI		
CHKR.		
ENGRG.		T. NEVILLE 11-27-01
MFG.		
APPD.		
DFTG. SUPV.		J. CARNEVALE
DATE		11-27-01
DFTM. ECE./PWI		
CHKR.		
ENGRG.		T. NEVILLE 11-27-01
MFG.		
APPD.		
DFTG. SUPV.		J. CARNEVALE
DATE		11-27-01
DFTM. ECE./PWI		
CHKR.		
ENGRG.		T. NEVILLE 11-27-01
MFG.		
APPD.		
DFTG. SUPV.		J. CARNEVALE
DATE		11-27-01
DFTM. ECE./PWI		
CHKR.		
ENGRG.		T. NEVILLE 11-27-01
MFG.		
APPD.		
DFTG. SUPV.		J. CARNEVALE
DATE		11-27-01
DFTM. ECE./PWI		
CHKR.		
ENGRG.		T. NEVILLE 11-27-01
MFG.		
APPD.		
DFTG. SUPV.		J. CARNEVALE
DATE		11-27-01
DFTM. ECE./PWI		
CHKR.		
ENGRG.		T. NEVILLE 11-27-01
MFG.		
APPD.		
DFTG. SUPV.		J. CARNEVALE
DATE		11-27-01
DFTM. ECE./PWI		
CHKR.		
ENGRG.		T. NEVILLE 11-27-01
MFG.		
APPD.		
DFTG. SUPV.		J. CARNEVALE
DATE		11-27-01
DFTM. ECE./PWI		
CHKR.		
ENGRG.		T. NEVILLE 11-27-01
MFG.		
APPD.		
DFTG. SUPV.		J. CARNEVALE
DATE		11-27-01
DFTM. ECE./PWI		
CHKR.		
ENGRG.		T. NEVILLE 11-27-01
MFG.		
APPD.		
DFTG. SUPV.		J. CARNEVALE
DATE		11-27-01
DFTM. ECE./PWI		
CHKR.		
ENGRG.		T. NEVILLE 11-27-01
MFG.		
APPD.		
DFTG. SUPV.		J. CARNEVALE
DATE		11-27-01
DFTM. ECE./PWI		
CHKR.		
ENGRG.		T. NEVILLE 11-27-01
MFG.		
APPD.		
DFTG. SUPV.		J. CARNEVALE
DATE		11-27-01
DFTM. ECE./PWI		
CHKR.		
ENGRG.		T. NEVILLE 11-27-01
MFG.		
APPD.		
DFTG. SUPV.		J. CARNEVALE
DATE		11-27-01
DFTM. ECE./PWI		
CHKR.		
ENGRG.		T. NEVILLE 11-27-01
MFG.		
APPD.		
DFTG. SUPV.		J. CARNEVALE
DATE		11-27-01
DFTM. ECE./PWI		
CHKR.		
ENGRG.		T. NEVILLE 11-27-01
MFG.		
APPD.		
DFTG. SUPV.		J. CARNEVALE
DATE		11-27-01
DFTM. ECE./PWI		
CHKR.		
ENGRG.		T. NEVILLE 11-27-01
MFG.		
APPD.		
DFTG. SUPV.		J. CARNEVALE
DATE		11-27-01
DFTM. ECE./PWI		
CHKR.		
ENGRG.		T. NEVILLE 11-27-01
MFG.		
APPD.		
DFTG. SUPV.		J. CARNEVALE
DATE		11-27-01
DFTM. ECE./PWI		
CHKR.		
ENGRG.		T. NEVILLE 11-27-01
MFG.		
APPD.		
DFTG. SUPV.		J. CARNEVALE
DATE		11-27-01
DFTM. ECE./PWI		
CHKR.		
ENGRG.		T. NEVILLE 11-27-01
MFG.		
APPD.		
DFTG. SUPV.		J. CARNEVALE
DATE		11-27-01
DFTM. ECE./PWI		
CHKR.		
ENGRG.		T. NEVILLE 11-27-01
MFG.		
APPD.		
DFTG. SUPV.		J. CARNEVALE
DATE		11-27-01
DFTM. ECE./PWI		
CHKR.		
ENGRG.		T. NEVILLE 11-27-01
MFG.		
APPD.		
DFTG. SUPV.		J. CARNEVALE
DATE		11-27-01
DFTM. ECE./PWI		
CHKR.		
ENGRG.		T. NEVILLE 11-27-01
MFG.		
APPD.		
DFTG. SUPV.		J. CARNEVALE
DATE		11-27-01
DFTM. ECE./PWI		
CHKR.		
ENGRG.		T. NEVILLE 11-27-01
MFG.		
APPD.		
DFTG. SUPV.		J. CARNEVALE
DATE		11-27-01
DFTM. ECE./PWI		
CHKR.		
ENGRG.		T. NEVILLE 11-27-01
MFG.		
APPD.		
DFTG. SUPV.		J. CARNEVALE
DATE		11-27-01
DFTM. ECE./PWI		
CHKR.		
ENGRG.		T. NEVILLE 11-27-01
MFG.		
APPD.		
DFTG. SUPV.		J. CARNEVALE
DATE		11-27-01
DFTM. ECE./PWI		
CHKR.		
ENGRG.		T. NEVILLE 11-27-01
MFG.		
APPD.		
DFTG. SUPV.		J. CARNEVALE
DATE		11-27-01
DFTM. ECE./PWI		
CHKR.		
ENGRG.		T. NEVILLE 11-27-01
MFG.		
APPD.		
DFTG. SUPV.		J. CARNEVALE
DATE		11-27-01
DFTM. ECE./PWI		
CHKR.		
ENGRG.		T. NEVILLE 11-27-01
MFG.		
APPD.		
DFTG. SUPV.		J. CARNEVALE
DATE		11-27-01
DFTM. ECE./PWI		
CHKR.		
ENGRG.		T. NEVILLE 11-27-01
MFG.		
APPD.		
DFTG. SUPV.		J. CARNEVALE
DATE		11-27-01
DFTM. ECE./PWI		
CHKR.		
ENGRG.		T. NEVILLE 11-27-01
MFG.		
APPD.		
DFTG. SUPV.		J. CARNEVALE
DATE		11-27-01
DFTM. ECE./PWI		
CHKR.		
ENGRG.		T. NEVILLE 11-27-01
MFG.		
APPD.		
DFTG. SUPV.		J. CARNEVALE
DATE		11-27-01
DFTM. ECE./PWI		
CHKR.		
ENGRG.		T. NEVILLE 11-27-01
MFG.		
APPD.		
DFTG. SUPV.		J. CARNEVALE
DATE		11-27-01
DFTM. ECE./PWI		
CHKR.		

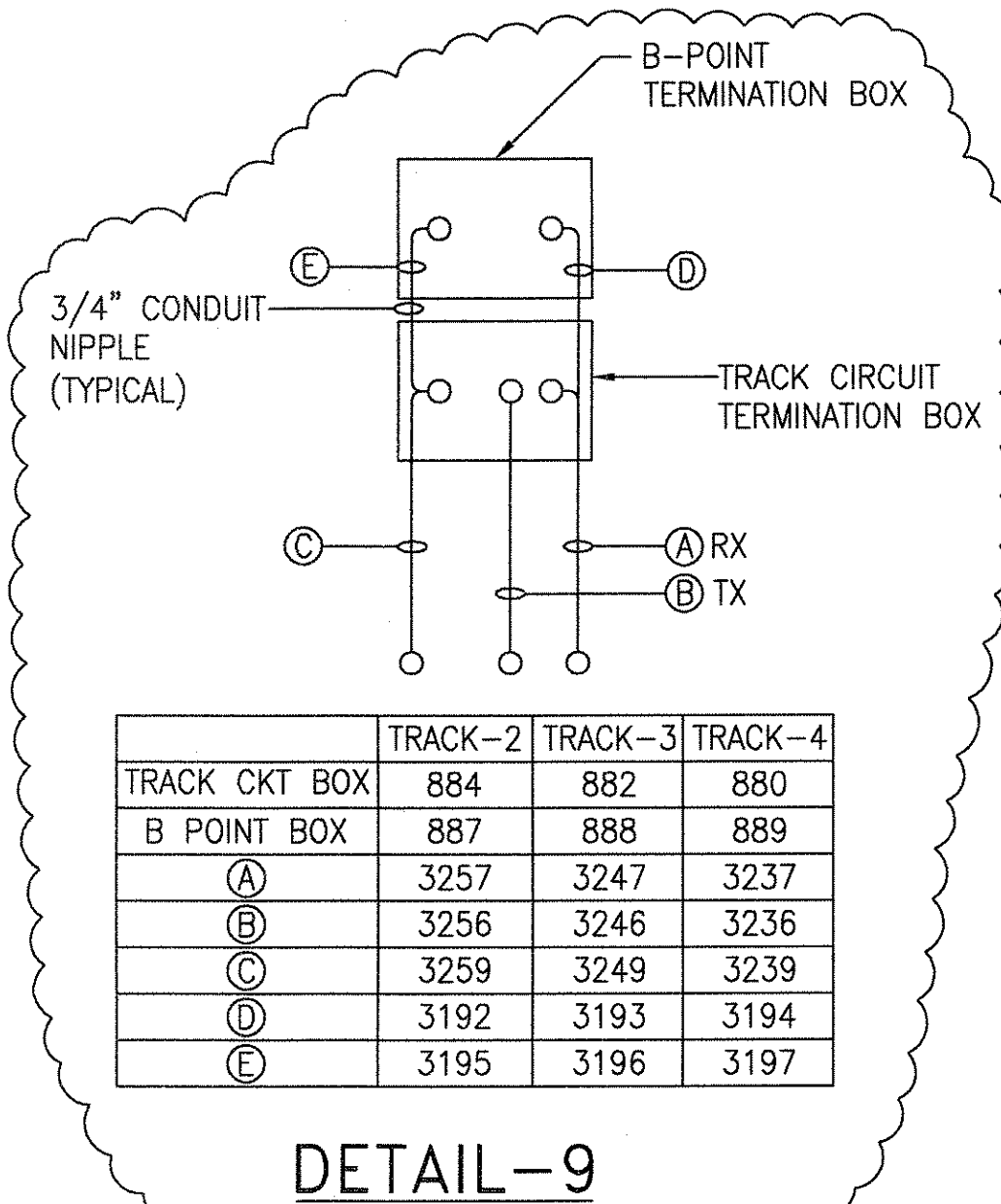


SECTION ELEVATION 5-5

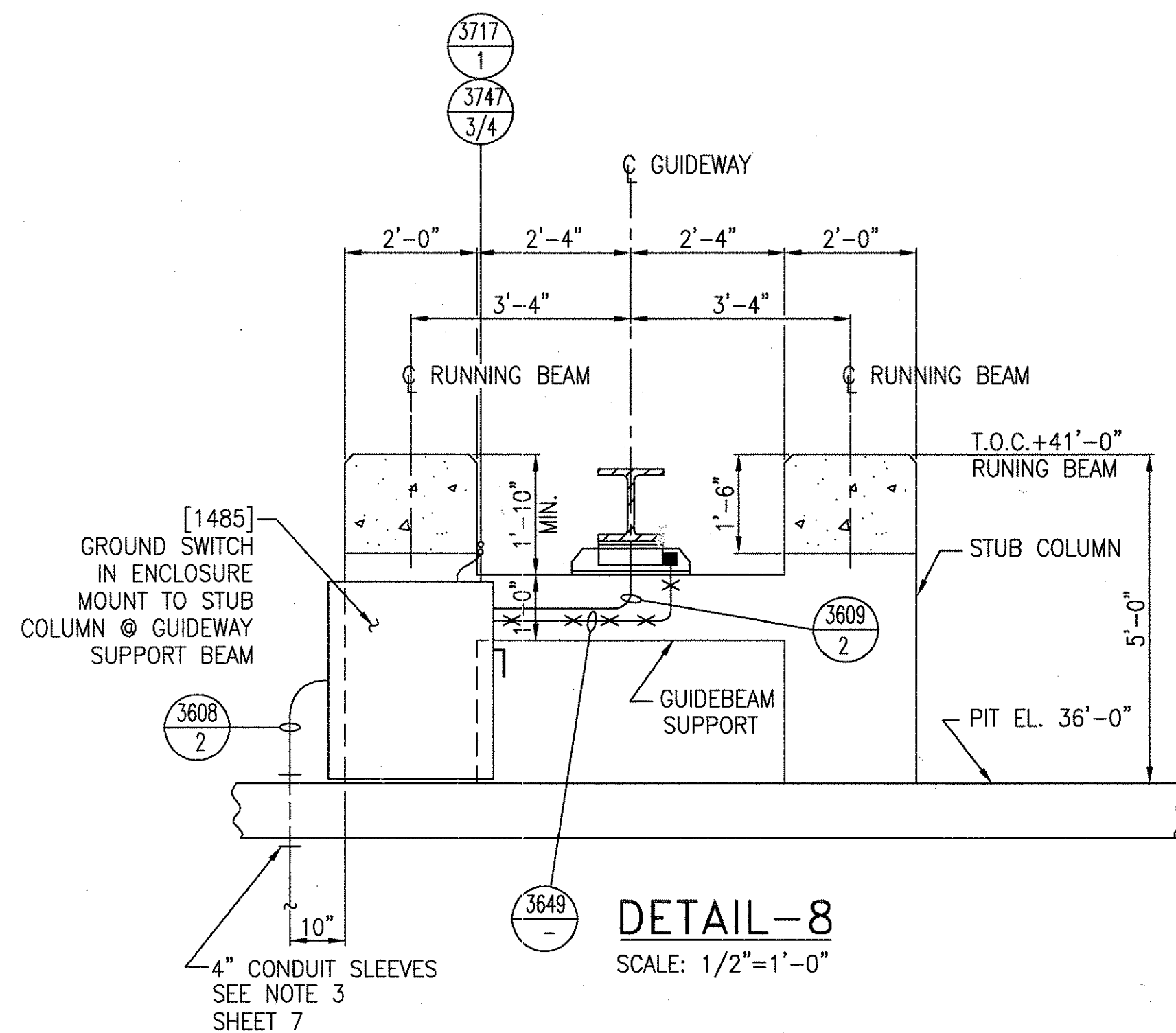


DETAIL-6
SCALE: 1/2"=1'-0"

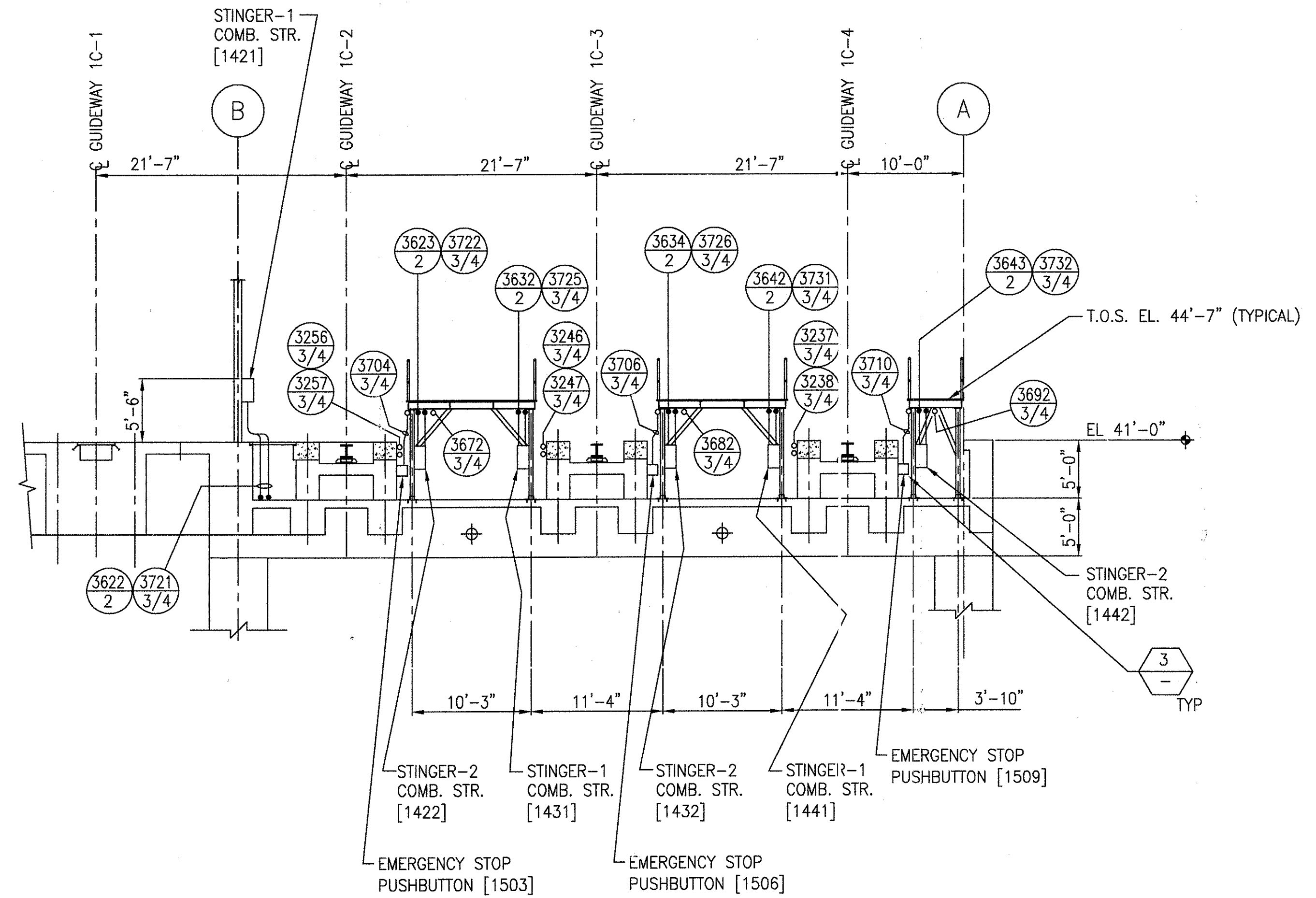
DETAIL-7
SCALE: 1/2"=1'-0"



DETAIL-9



DETAIL-8
SCALE: 1/2"=1'-0"



SECTION ELEVATION 4-4

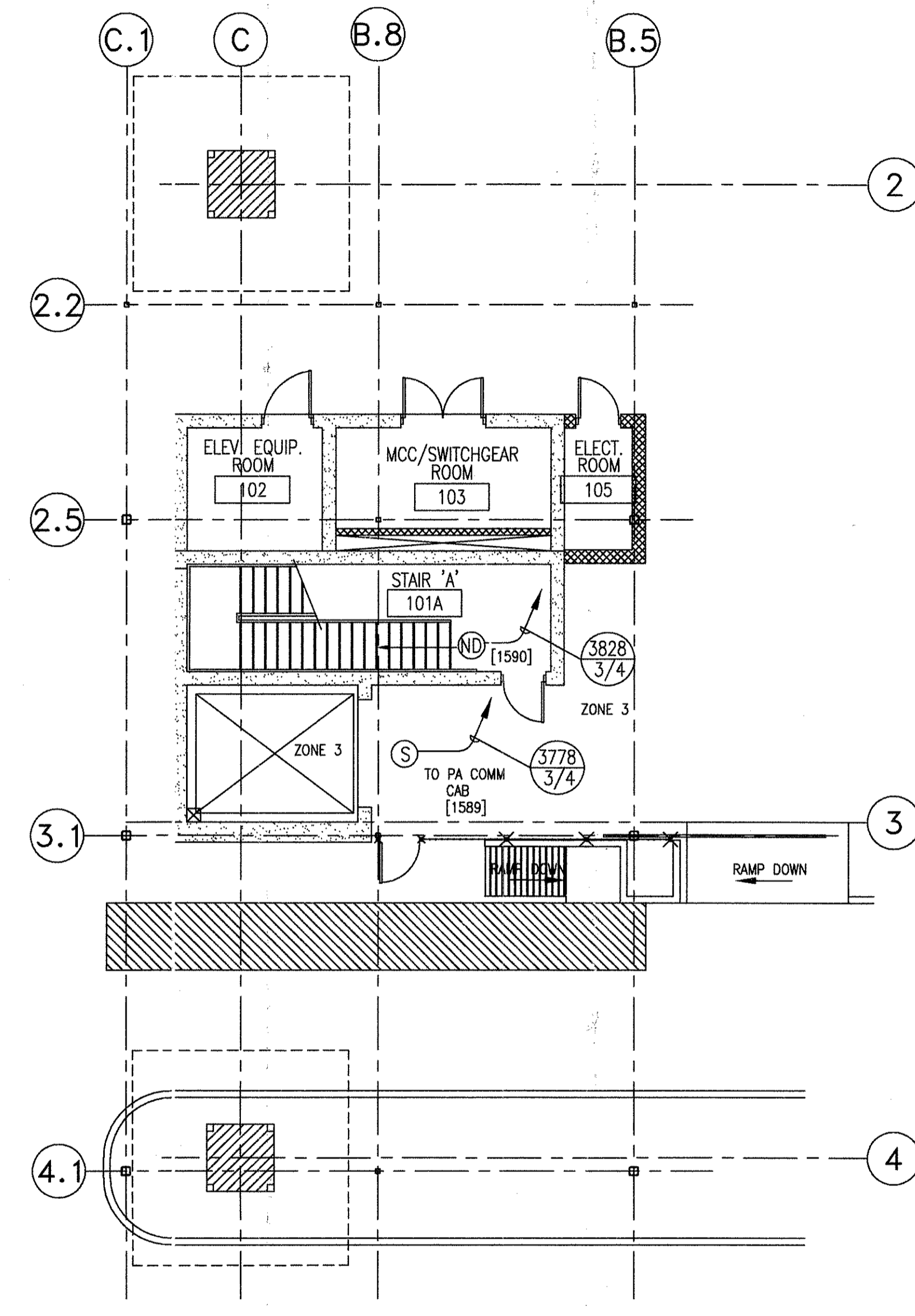
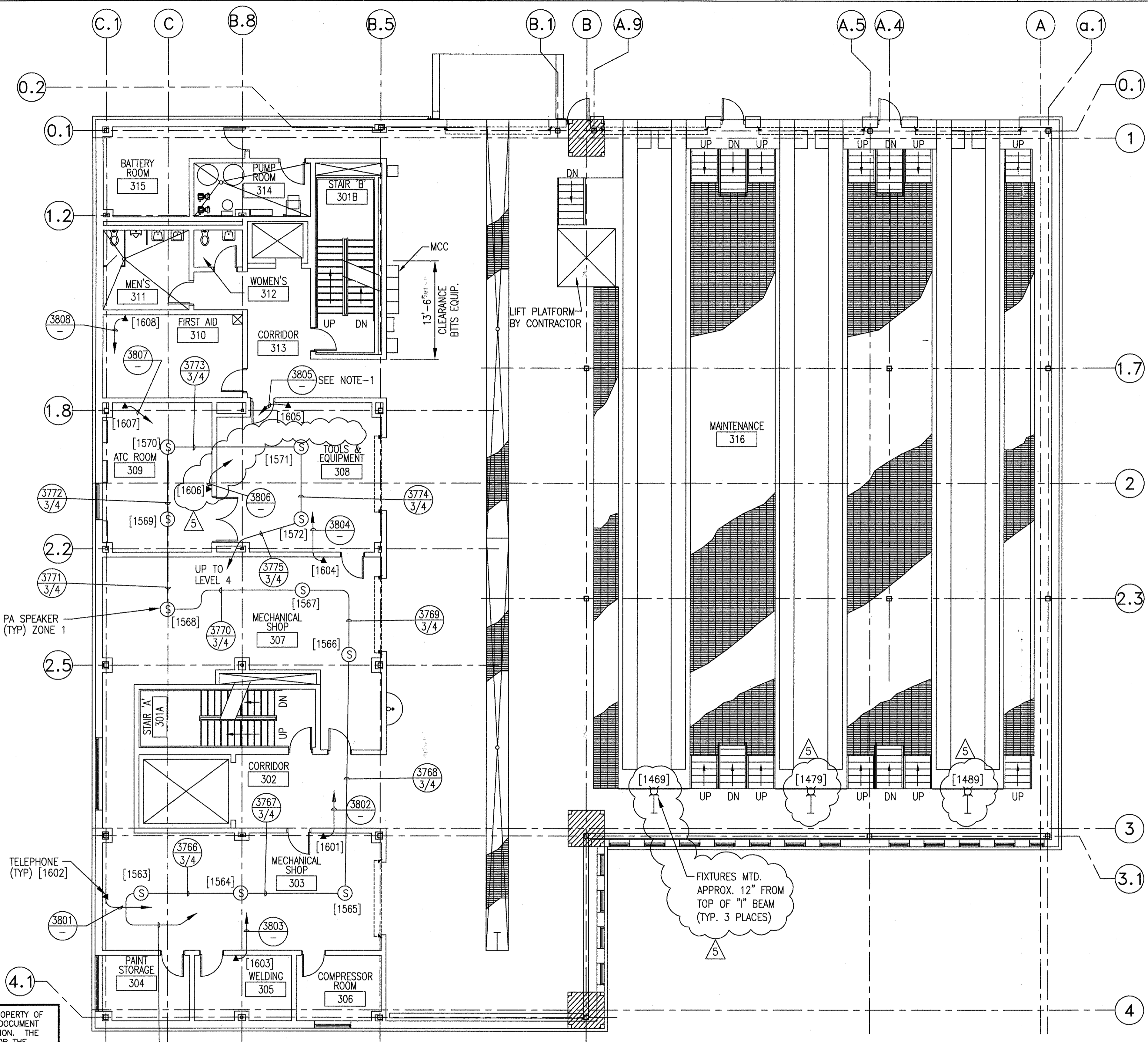
THIS DOCUMENT AND ITS CONTENTS ARE THE PROPERTY OF BOMBARDIER INC. OR ITS SUBSIDIARIES. THIS DOCUMENT CONTAINS CONFIDENTIAL PROPRIETARY INFORMATION. THE REPRODUCTION, DISTRIBUTION, UTILIZATION OR THE COMMUNICATION OF THIS DOCUMENT OR ANY PART THEREOF, WITHOUT EXPRESS AUTHORIZATION IS STRICTLY PROHIBITED. OFFENDERS WILL BE HELD LIABLE FOR THE PAYMENT OF DAMAGES.

IT.	CHANGE	SIGNATURES ON FILE	DATE
1		TCN HOAB-B2065 ECN 42734	
2		REVISED SECTION 5-5, REMOVED CABLE TRAY CT146, ADDED CONDUITS SEE SHEETS 1 THRU 4 AND 7 FOR CHANGES. F. BELMARES 2/25/03 T. NEVILLE J.R. CARNEVALE	
3		TCN HOAB-B2065 ECN 42824	
4		TCN HOAB-A3013 ECN 42923	
5		TCN HOAB-B2065 WR 2007346	

GEOMETRIC CHARACTERISTIC SYMBOLS	DATE
FLATNESS	4-1-02
STRAIGHTNESS	
ROUNDNESS (CIRCULARITY)	
CYLINDRICITY	
PROFILE OF ANY LINE	
PROFILE OF ANY SURFACE	
PARALLELISM	
PERPENDICULARITY (SQUARENESS)	
ANGULARITY	
RUNOUT	
TRUE POSITION	
CONCENTRICITY	
SYMMETRY	
MAXIMUM MATERIAL CONDITION (MMC)	
REGARDLESS OF FEATURE SIZE	

DFTM.	DATE
WDO/PWI	4-1-02
ENGRG.	
T. NEVILLE	11-27-01
MFG.	
APPD.	
DFTG. SUPV.	
J. CARNEVALE	

BOMBARDIER	
TITLE	GEORGE BUSH INTERCONTINENTAL AIRPORT
	HOUSTON PHASE 2 EXTENSION
DIMENSIONS IN MAINTENANCE BUILDING SECTIONS	
SIZE	DWG. NO. 6D60559
SCALE 1/8"=1'-0" WT.	SHEET 5



PARTIAL PLAN - LEVEL 1

NOTES:
 1. CONDUITS TO TELEPHONES SHALL BE FURNISHED AND INSTALLED BY BUILDING CONTRACTOR.

MAINTENANCE LEVEL FLOOR PLAN

THIS DOCUMENT AND ITS CONTENTS ARE THE PROPERTY OF BOMBARDIER INC. OR ITS SUBSIDIARIES. THIS DOCUMENT CONTAINS CONFIDENTIAL PROPRIETARY INFORMATION. THE REPRODUCTION, DISTRIBUTION, UTILIZATION OR THE COMMUNICATION OF THIS DOCUMENT OR ANY PART THEREOF, WITHOUT EXPRESS AUTHORIZATION IS STRICTLY PROHIBITED. OFFENDERS WILL BE HELD LIABLE FOR THE PAYMENT OF DAMAGES.

1	ICN HOAB-B2065	CHANGE
2	ICN HOAB-B2065	ECN 42734
3	ICN HOAB-B2065	ECN 42824
4	ICN HOAB-B2065	ECN 42823
5	ICN HOAB-B2065	WR 2001346

SIGNATURES ON FILE
 NO CHANGE THIS SHEET
 SEE SHEETS 1 THRU 5 AND 7.
 F. BELMARES 2/21/03
 T. NEVILLE
 J.R. CARNEVALE

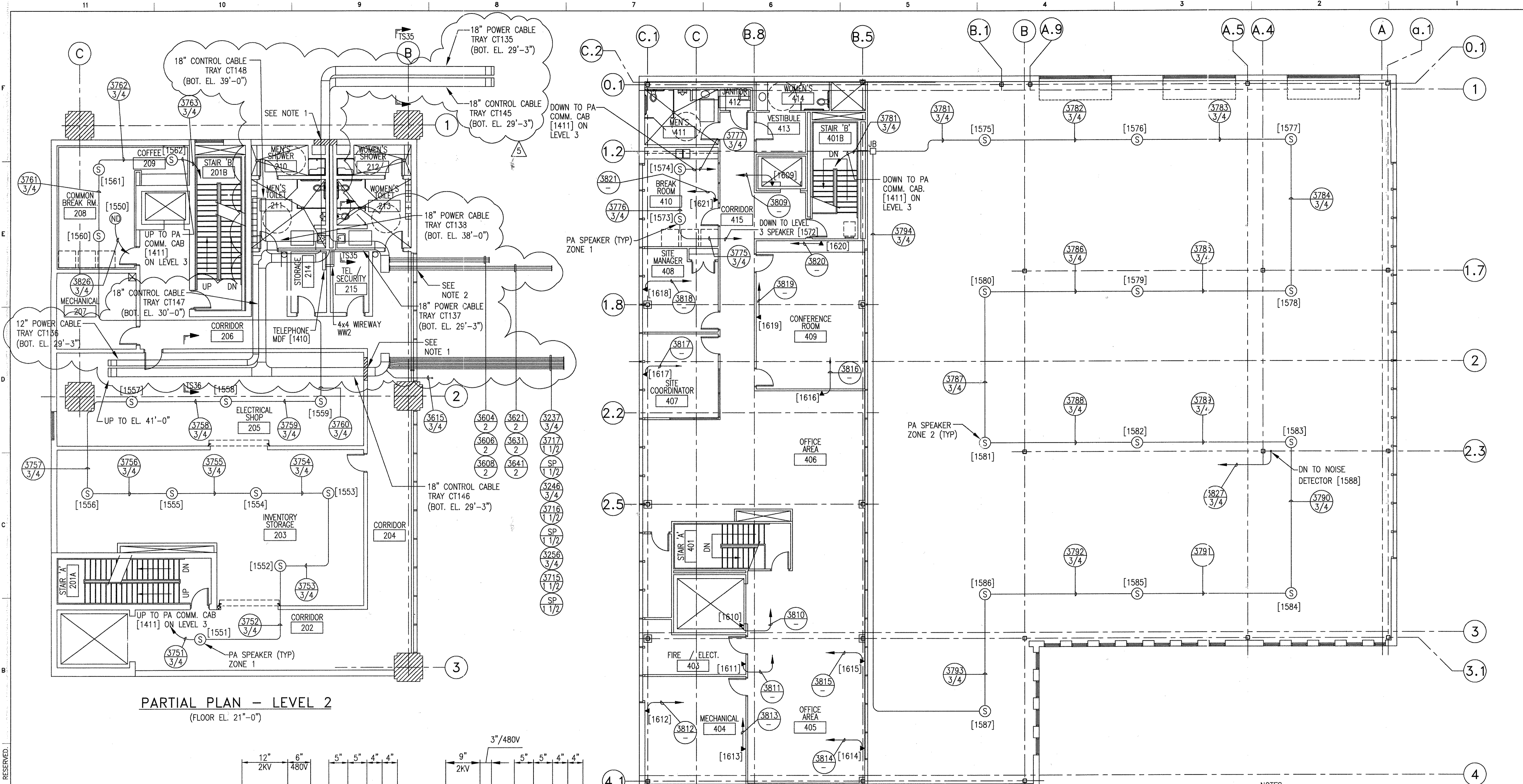
SIGNATURES ON FILE
 NO CHANGE THIS SHEET
 SEE SHEETS 1, 2, 4 AND 5.
 F. BELMARES 7/2/03
 T. NEVILLE
 J.R. CARNEVALE

SIGNATURES ON FILE
 NO CHANGE THIS SHEET
 SEE SHEETS 1, 2, 3, 6 & 7
 REVISED PER AS BUILT CONDITIONS
 P. CARSON 7/31/05
 A. ROMEO
 J. CARNEVALE

GEOMETRIC CHARACTERISTIC SYMBOLS	
FLATNESS	—
STRAIGHTNESS	—
ROUNDNESS (CIRCULARITY)	○
CYLINDRICITY	○
PROFILE OF ANY LINE	—
PROFILE OF ANY SURFACE	—
PARALLELISM	—
PERPENDICULARITY (SQUARENESS)	—
ANGULARITY	—
RUNOUT	—
TRUE POSITION	—
CONCENTRICITY	—
SYMMETRY	—
MAXIMUM MATERIAL CONDITION (MMC)	—
REGARDLESS OF FEATURE SIZE	—

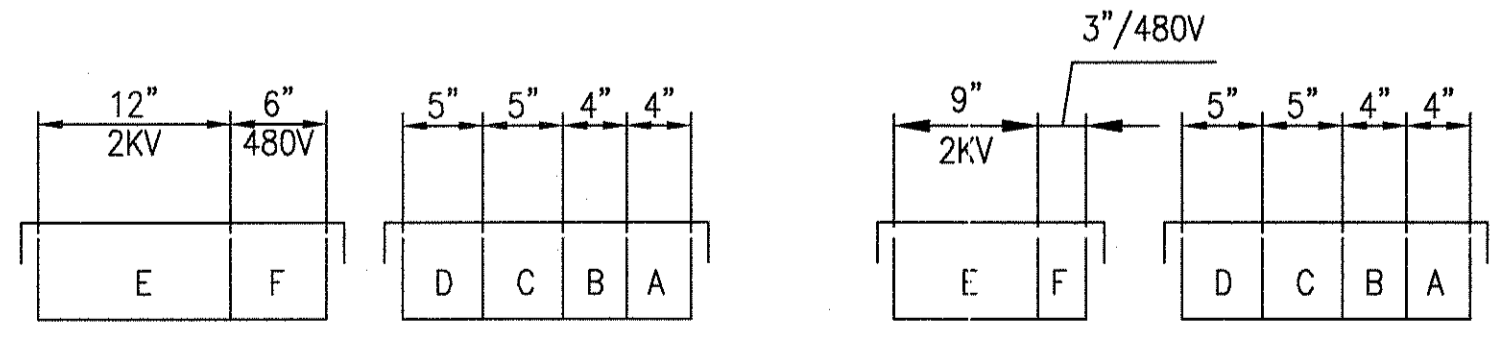
DFTM.	DATE
ECE/PWI	5-8-02
CHKR.	
ENGRG.	DATE
T. NEVILLE	5-8-02
MFG.	
APPD.	
DFTG. SUPV.	
J. CARNEVALE	

BOMBARDIER	
TITLE GEORGE BUSH INTERCONTINENTAL AIRPORT	
HOUSTON PHASE 2 EXTENSION	
DIMENSIONS IN MAINTENANCE BUILDING PLAN	
SIZE D	DWG. NO. 6D60559
SCALE 1/8"=1'	REV. 5
SHEET 6	



PARTIAL PLAN - LEVEL 2
(FLOOR EL. 21'-0")

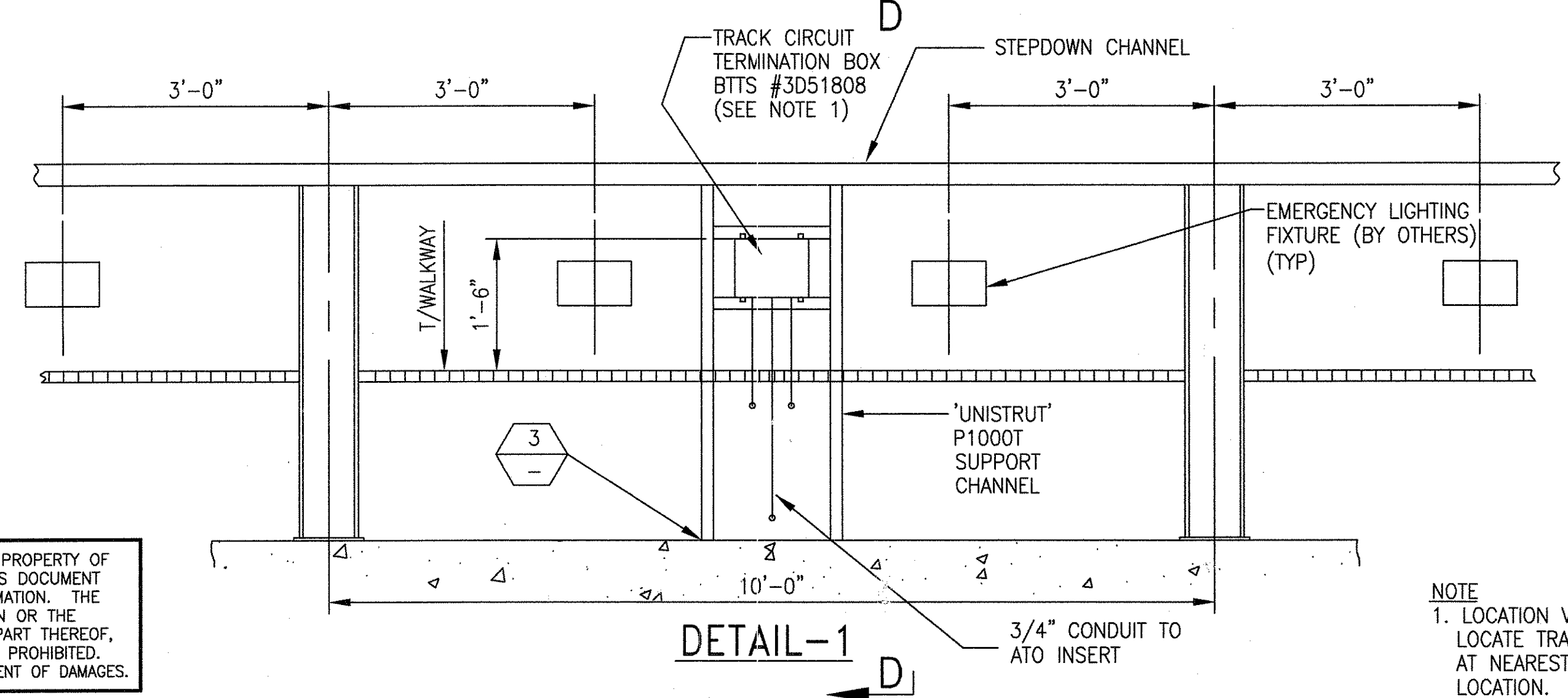
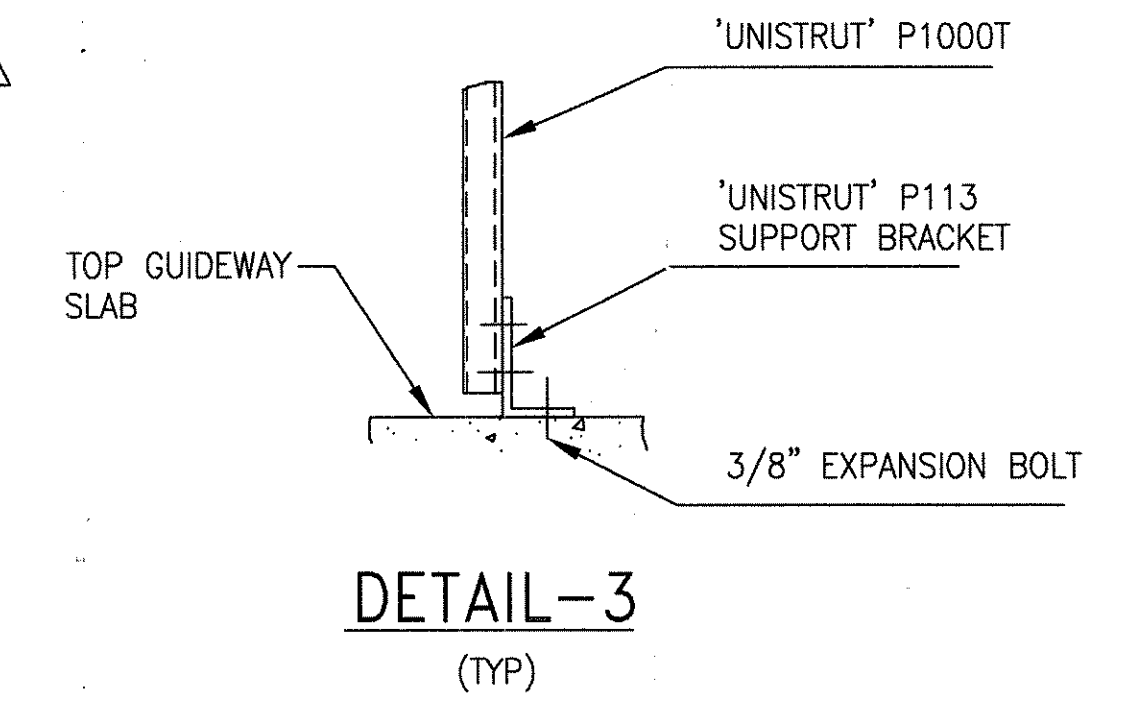
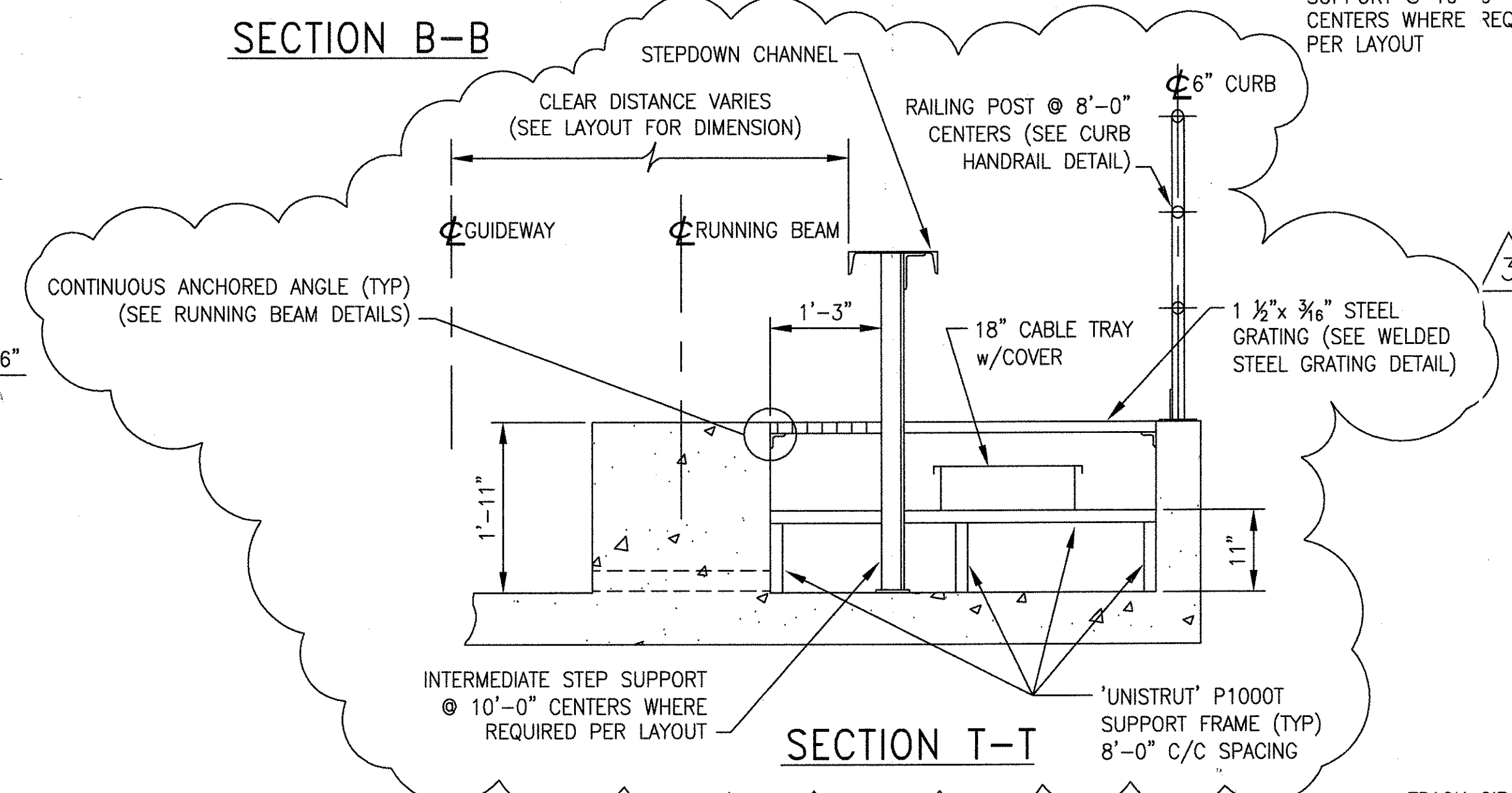
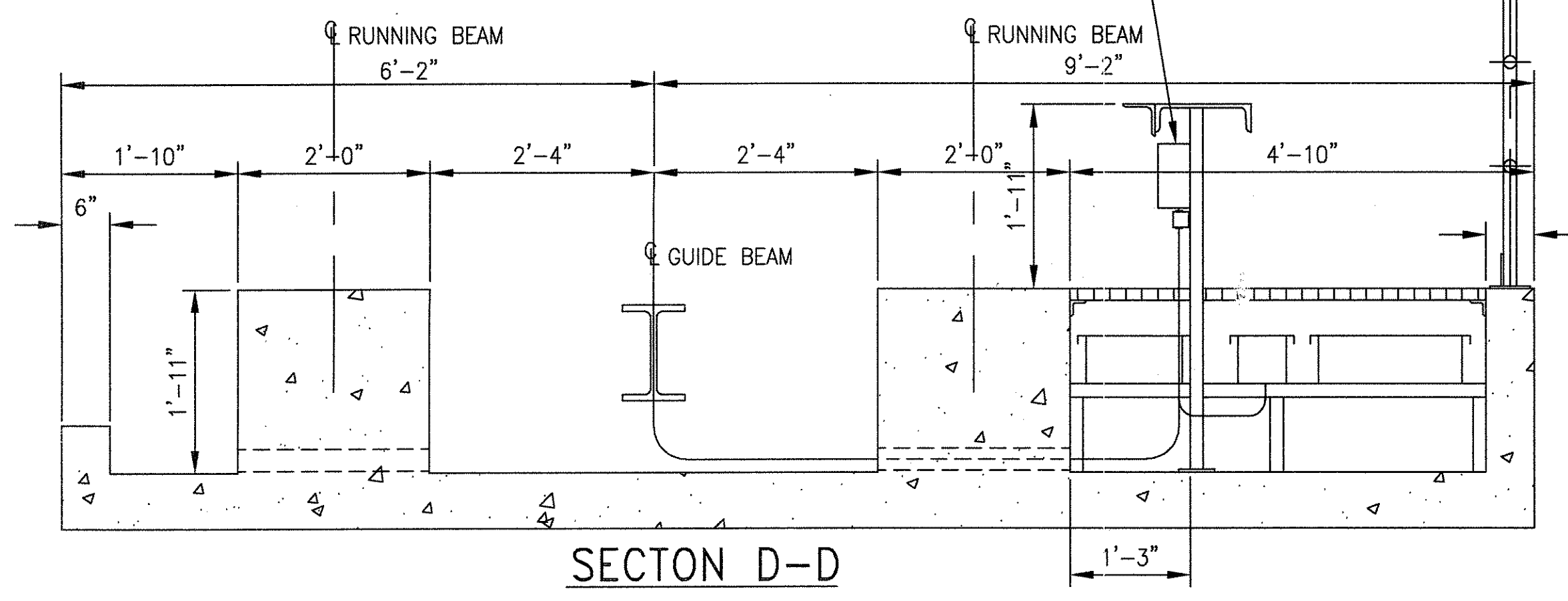
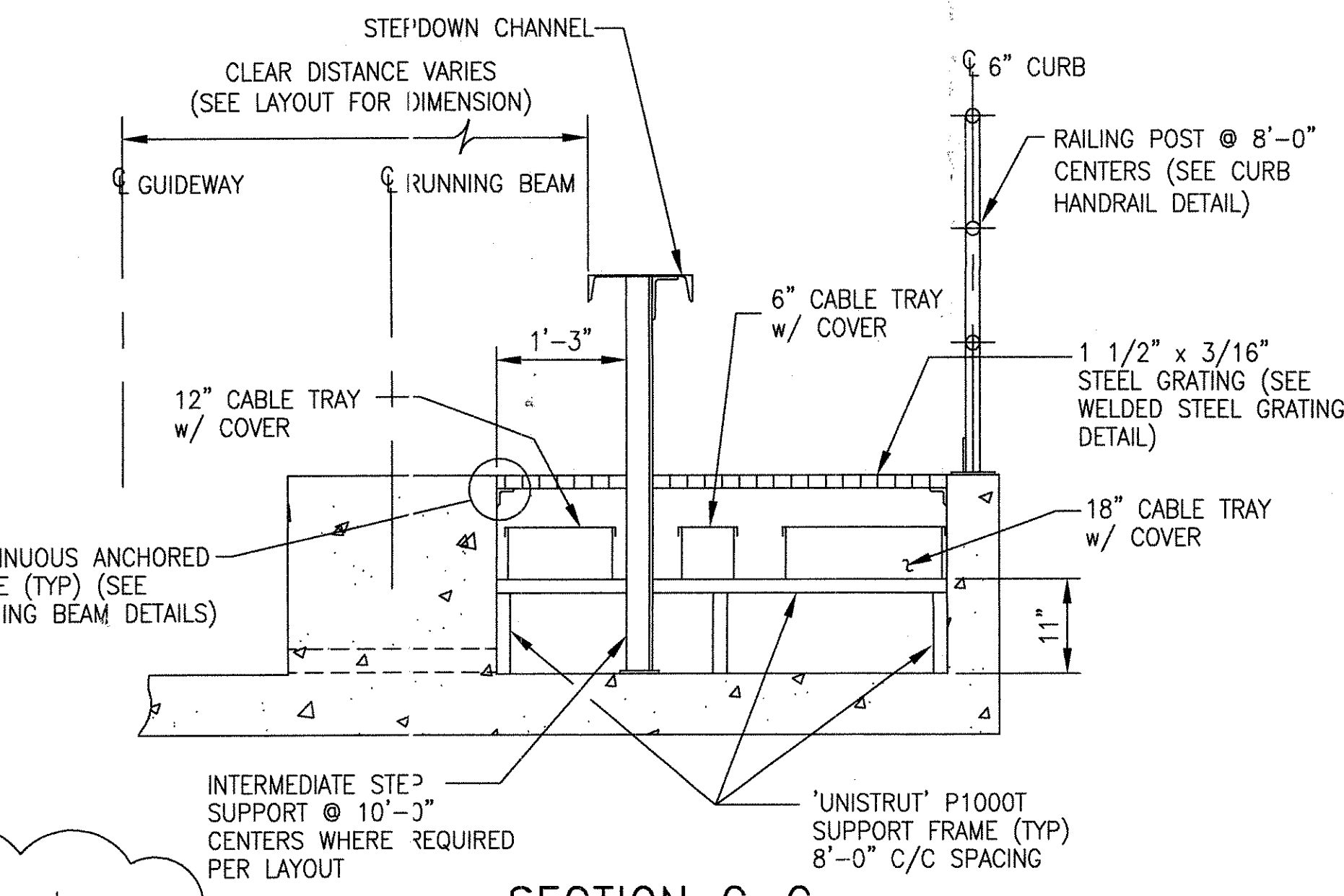
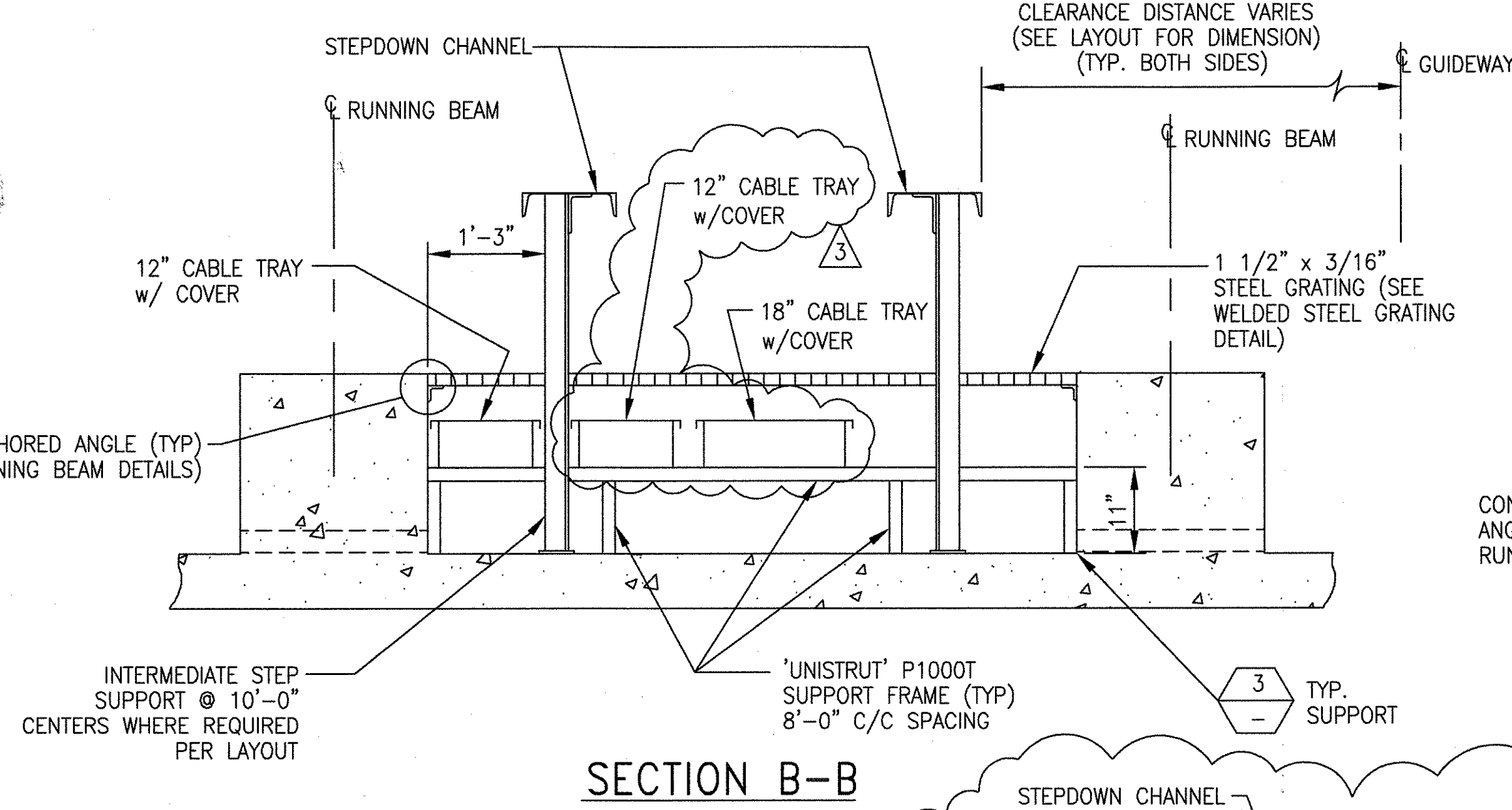
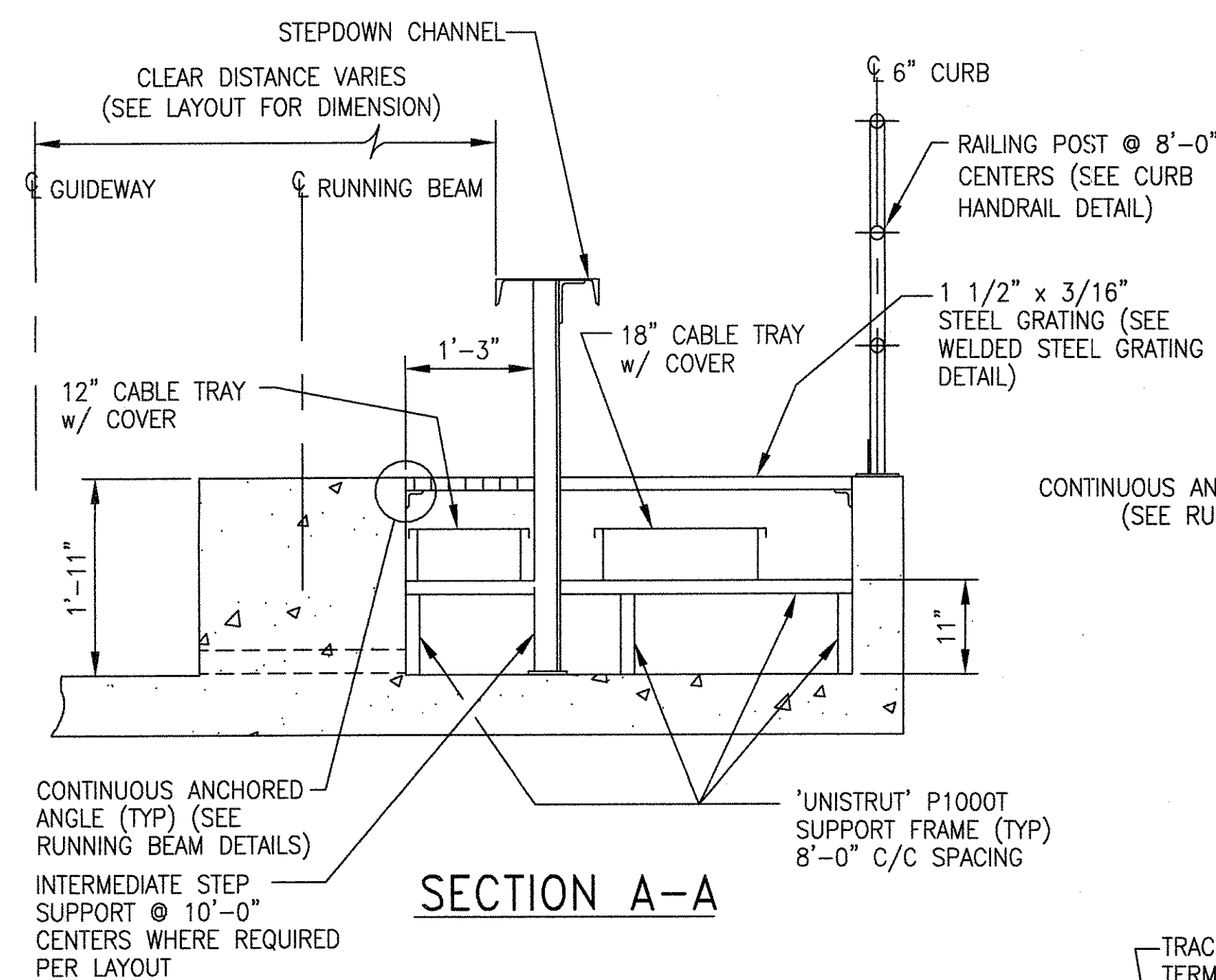
PLAN - LEVEL 4
(FLOOR EL. 53'-0")



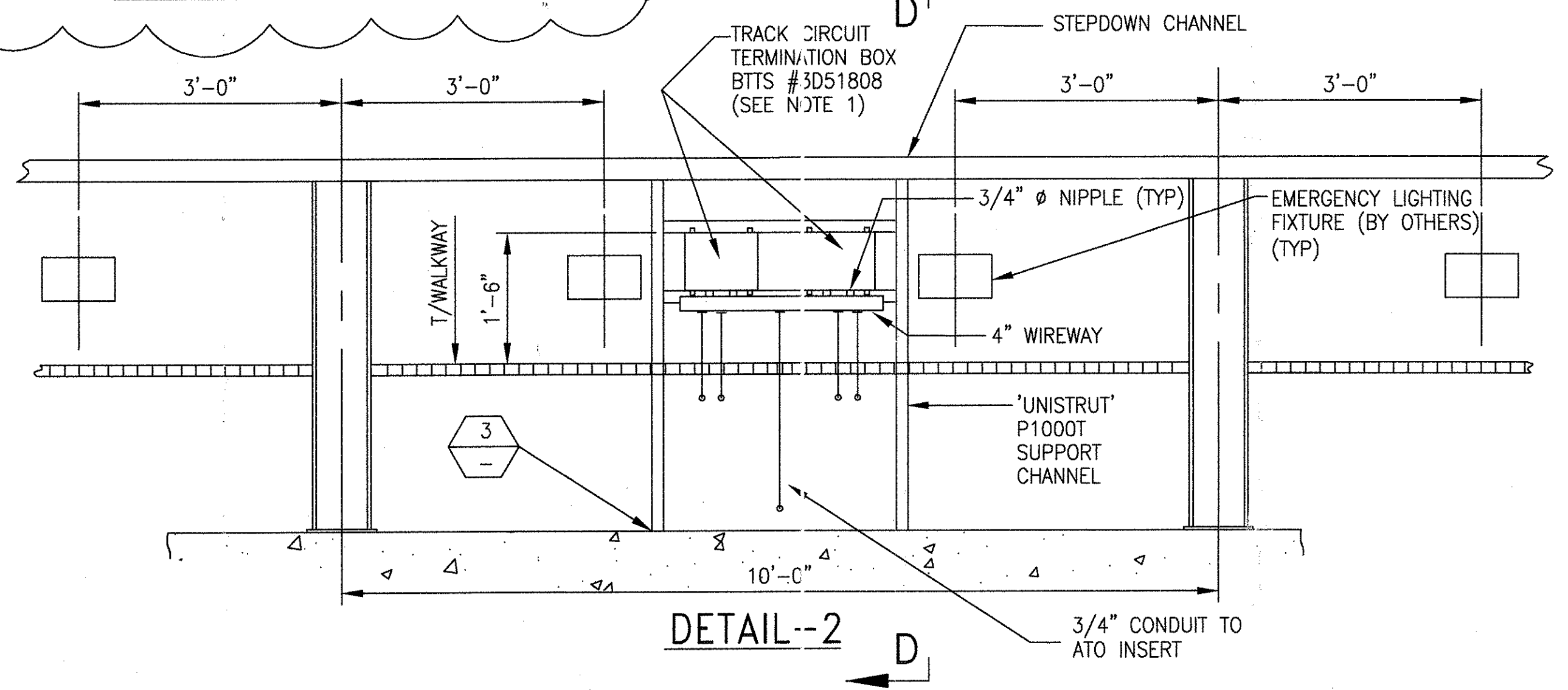
THIS DOCUMENT AND ITS CONTENTS ARE THE PROPERTY OF BOMBARDIER INC. OR ITS SUBSIDIARIES. THIS DOCUMENT CONTAINS CONFIDENTIAL PROPRIETARY INFORMATION. THE REPRODUCTION, DISTRIBUTION, UTILIZATION OR THE COMMUNICATION OF THIS DOCUMENT OR ANY PART THEREOF, WITHOUT EXPRESS AUTHORIZATION IS STRICTLY PROHIBITED. OFFENDERS WILL BE HELD LIABLE FOR THE PAYMENT OF DAMAGES.

- NOTES:**
1. SEAL ALL CABLE TRAY OPENINGS WITH FIREPROOF MATERIAL.
 2. SEAL ALL OPENINGS AROUND CONDUITS WITH FIREPROOF MATERIAL.
 3. SEAL ALL OPENINGS IN SLEEVES WITH FIREPROOF MATERIAL AFTER CONDUIT/CABLE INSTALLATION.

<p>AutoCAD</p> <p>1 CHANGE</p> <p>2 SIGNATURES ON FILE</p> <p>3 SIGNATURES ON FILE</p> <p>4 SIGNATURES ON FILE</p> <p>5 SIGNATURES ON FILE</p>		<p>12" 2KV</p> <p>6" 480V</p> <p>5" 5" 4" 4"</p> <p>9" 2KV</p> <p>5" 5" 4" 4"</p>		<p>TS35</p> <p>TS36</p>		<p>GEOMETRIC CHARACTERISTIC SYMBOLS</p> <p>FLATNESS</p> <p>STRAIGHTNESS</p> <p>ROUNDNESS (CIRCULARITY)</p> <p>CYLINDRICITY</p> <p>PROFILE OF ANY LINE</p> <p>PROFILE OF ANY SURFACE</p> <p>PARALLELISM</p> <p>PERPENDICULARITY (SQUARENESS)</p> <p>ANGULARITY</p> <p>RUNOUT</p> <p>TRUE POSITION</p> <p>CONCENTRICITY</p> <p>SYMMETRY</p> <p>MAXIMUM MATERIAL CONDITION (MMC)</p> <p>REGARDLESS OF FEATURE SIZE</p>		<p>DFTM. ECE/PWI</p> <p>CHKR.</p> <p>ENGRG. T. NEVILLE</p> <p>MFG.</p> <p>APPD.</p> <p>DFTG. SUPV. J. CARNEVALE</p>		<p>DATE 5-8-02</p> <p>TITLE GEORGE BUSH INTERCONTINENTAL AIRPORT HOUSTON PHASE 2 EXTENSION MAINTENANCE BUILDING PLAN</p> <p>DIMENSIONS IN</p> <p>SIZE D</p> <p>DWG. NO. 6D60559</p> <p>SCALE 1/8"=1' WT.</p> <p>SHEET 7</p>	
--	--	---	--	-------------------------	--	---	--	---	--	---	--



NOTE
1. LOCATION VARIES - CONTRACTOR TO LOCATE TRACK CIRCUIT TERMINATION BOX AT NEAREST POINT TO TRACK CIRCUIT LOCATION.



THIS DOCUMENT AND ITS CONTENTS ARE THE PROPERTY OF BOMBARDIER INC. OR ITS SUBSIDIARIES. THIS DOCUMENT CONTAINS CONFIDENTIAL PROPRIETARY INFORMATION. THE REPRODUCTION, DISTRIBUTION, UTILIZATION OR THE COMMUNICATION OF THIS DOCUMENT OR ANY PART THEREOF, WITHOUT EXPRESS AUTHORIZATION IS STRICTLY PROHIBITED. OFFENDERS WILL BE HELD LIABLE FOR THE PAYMENT OF DAMAGES.

1	TON HOAB-B2065 D. 7D5873-A CHANGE
2	TON HOAB-B2065 EON42824
3	TON HOAB-B2065 WR 2001346

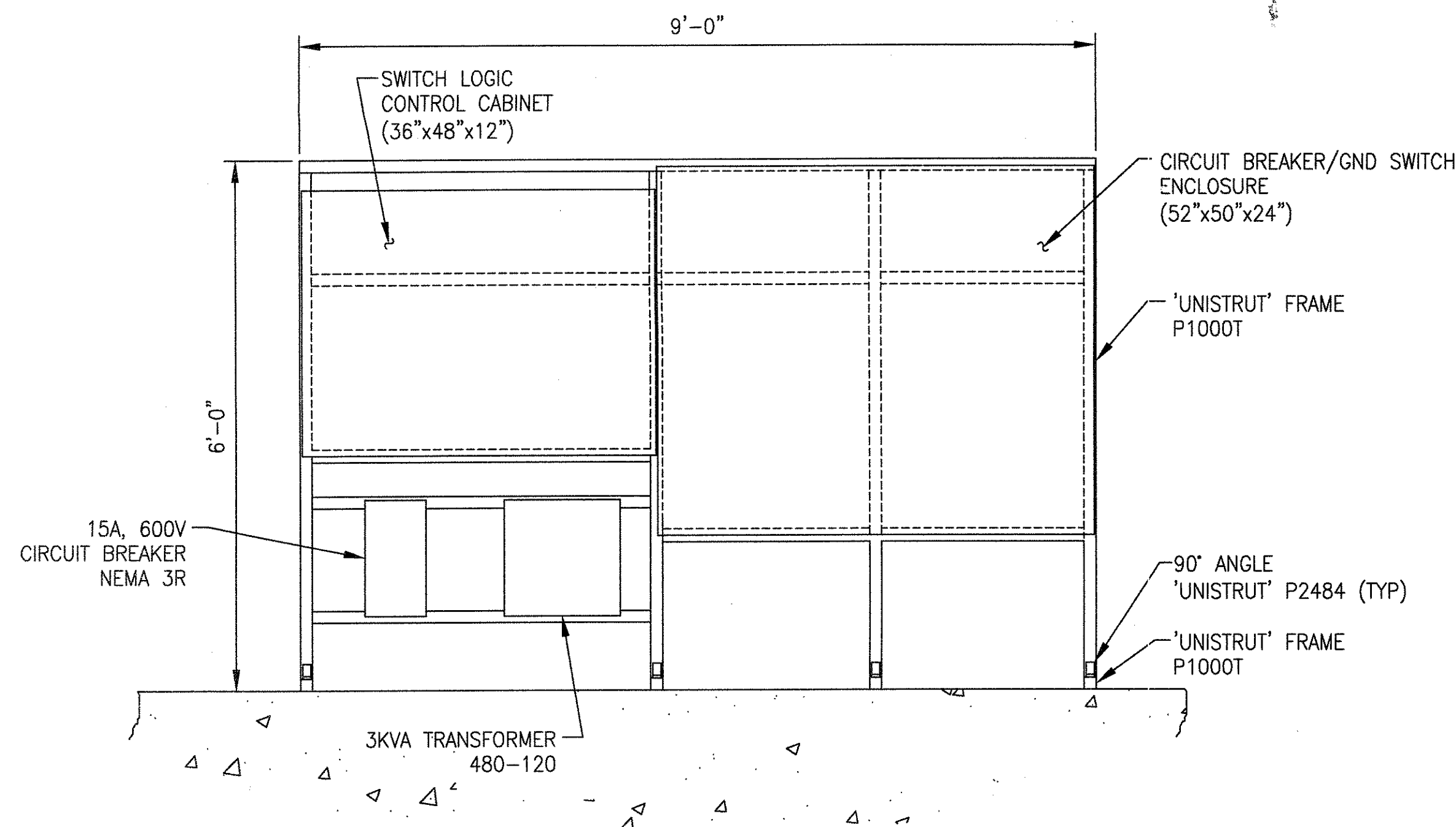
SIGNATURES ON FILE
NO CHANGE THIS SHEET
ISSUE FOR CONSTRUCTION
R.D. PELKEY 4/16/03
T. NEVILLE
J. CARNEVALE

SIGNATURES ON FILE
SHEET 1
REVISED PER AS BUILT
CONDITIONS
P. CARSON 7/31/05
A. ROMEO
J. CARNEVALE

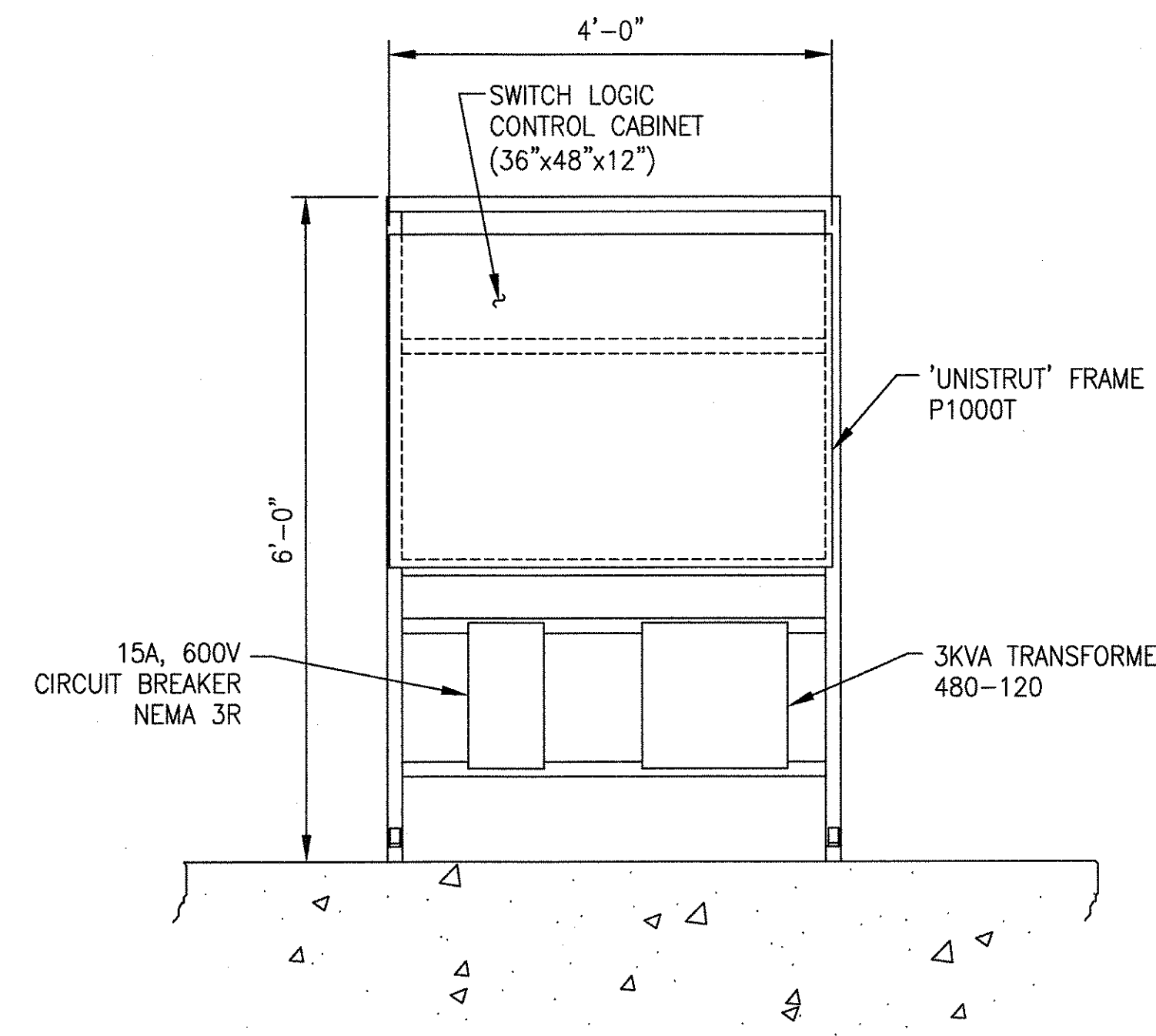
GEOMETRIC CHARACTERISTIC SYMBOLS	
FLATNESS	□
STRAIGHTNESS	—
ROUNDNESS (CIRCULARITY)	○
CYLINDRICITY	⊘
PROFILE OF ANY LINE	⊖
PROFILE OF ANY SURFACE	⊖
PARALLELISM	∥
PERPENDICULARITY (SQUARENESS)	⊥
ANGULARITY	∠
RUNOUT	⊖
TRUE POSITION	⊖
CONCENTRICITY	⊖
SYMMETRY	⊖
MAXIMUM MATERIAL CONDITION (MMC)	⊖
REGARDLESS OF FEATURE SIZE	⊖

DFTM. ECE/PWI	DATE 4/26/02
ENGRG. T. NEVILLE	5-1-02
APPD. J. CARNEVALE	
DFTG. SUPV. J. CARNEVALE	

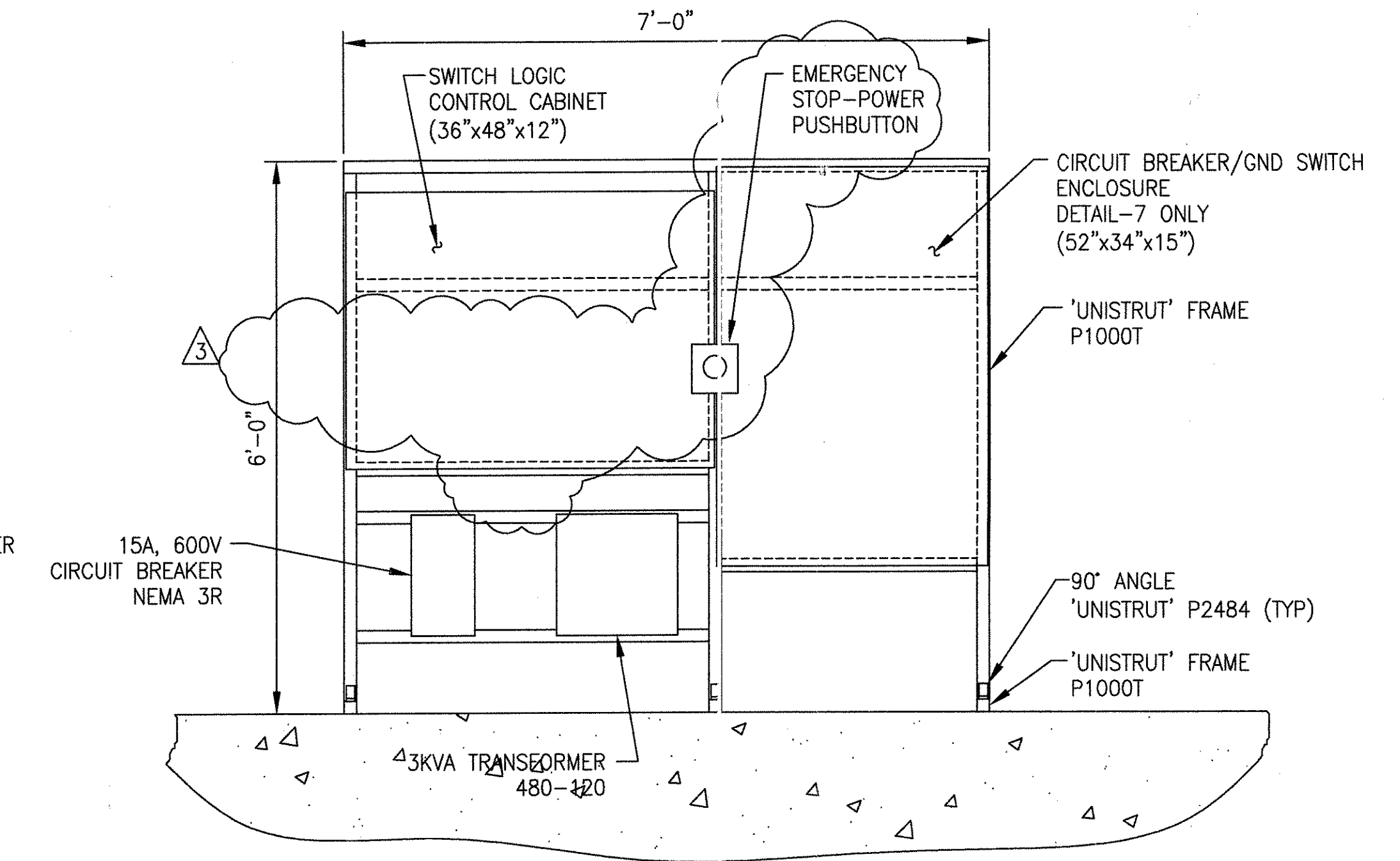
BOMBARDIER	
TITLE GEORGE BUSH INTERCONTINENTAL AIRPORT HOUSTON PHASE 2 EXTENSION	
DIMENSIONS IN SYSTEM DETAILS	
SIZE D	DWG. NO. 6D60560
SCALE 3/4"=1'-0" WT.	SHEET 1 OF 7
REV. 3	



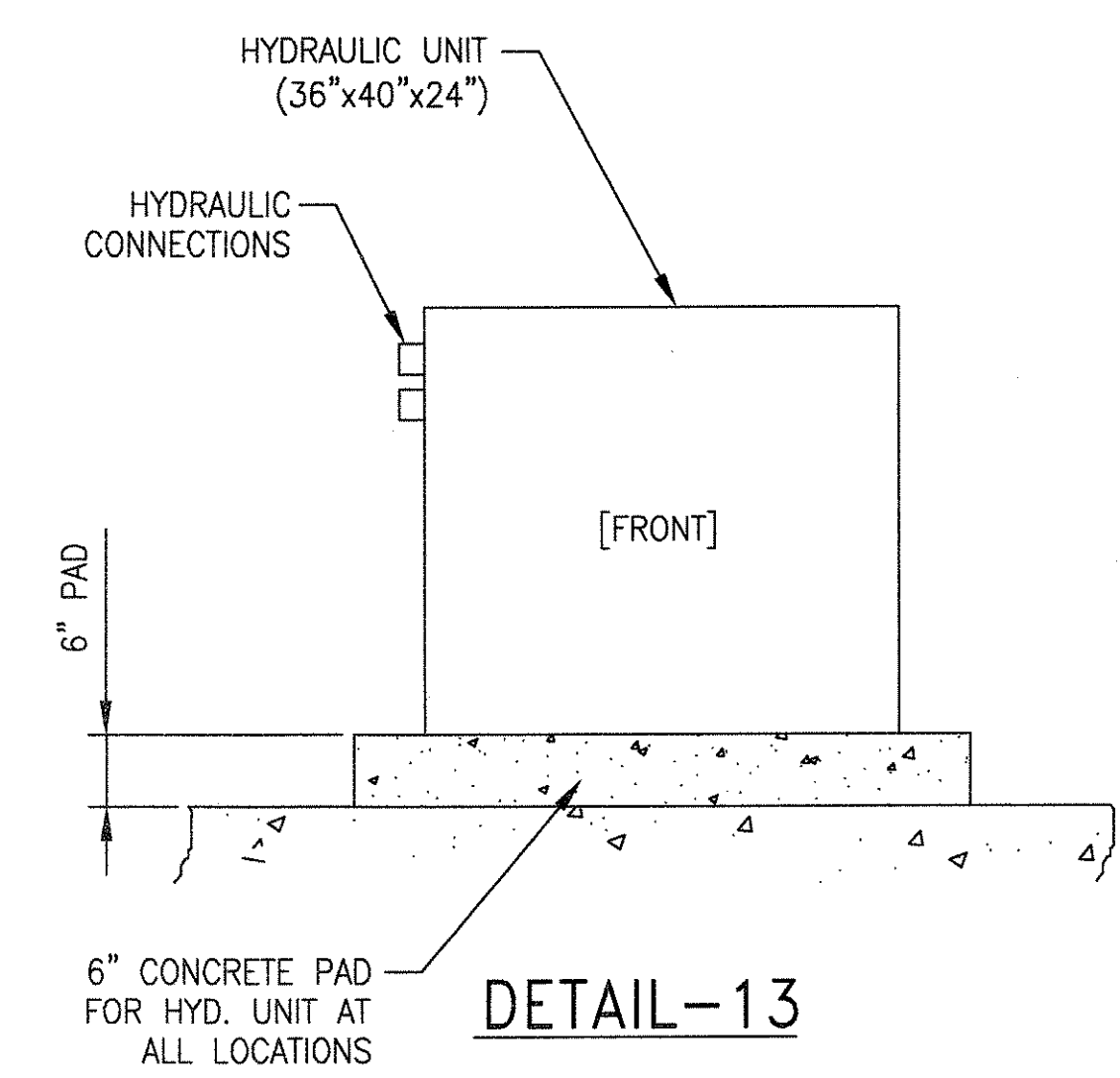
DETAIL-4 (AS SHOWN)
DETAIL-5 (OPP. HAND)



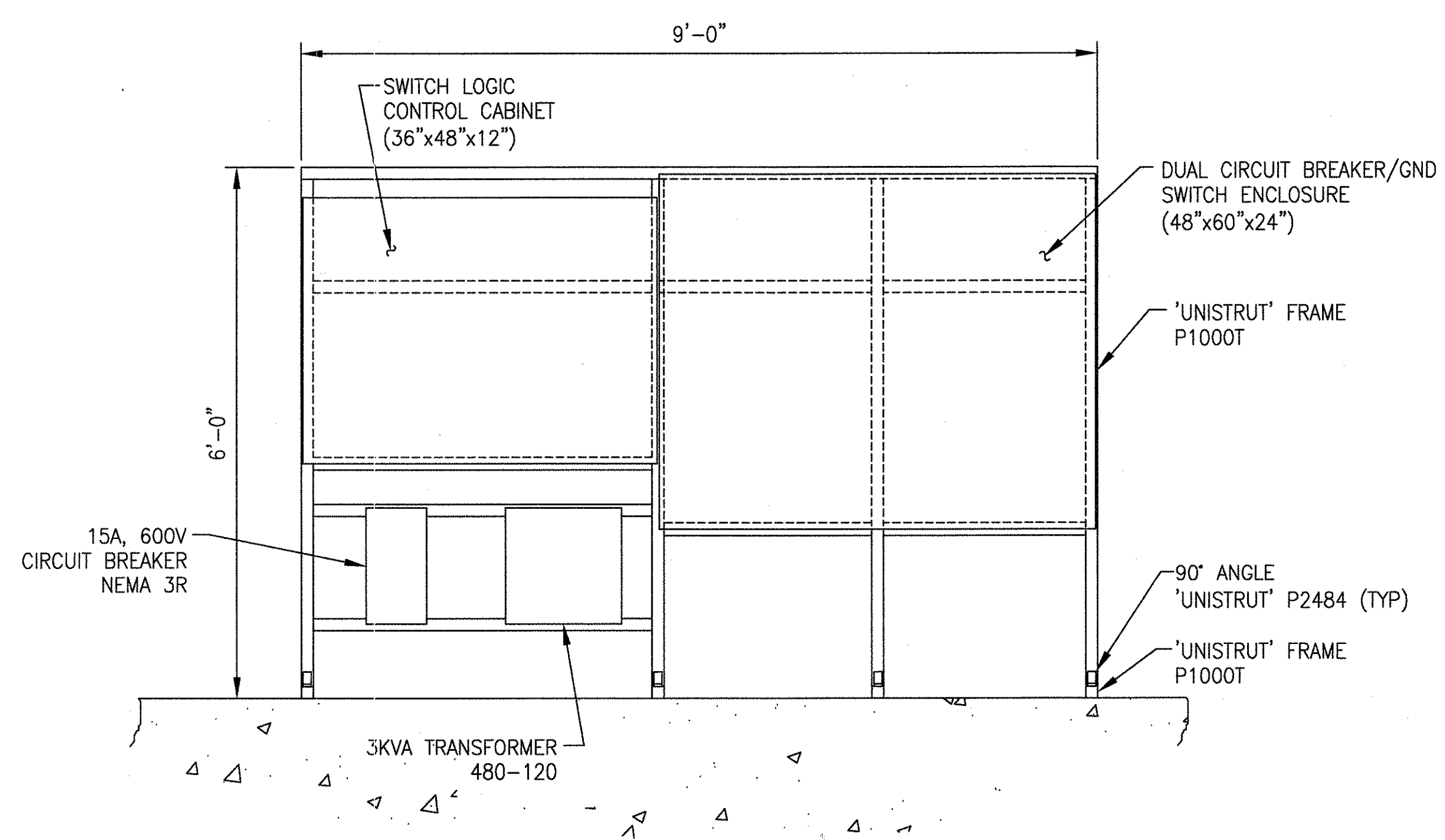
DETAIL-9 (AS SHOWN)
DETAIL-10 (OPP. HAND)



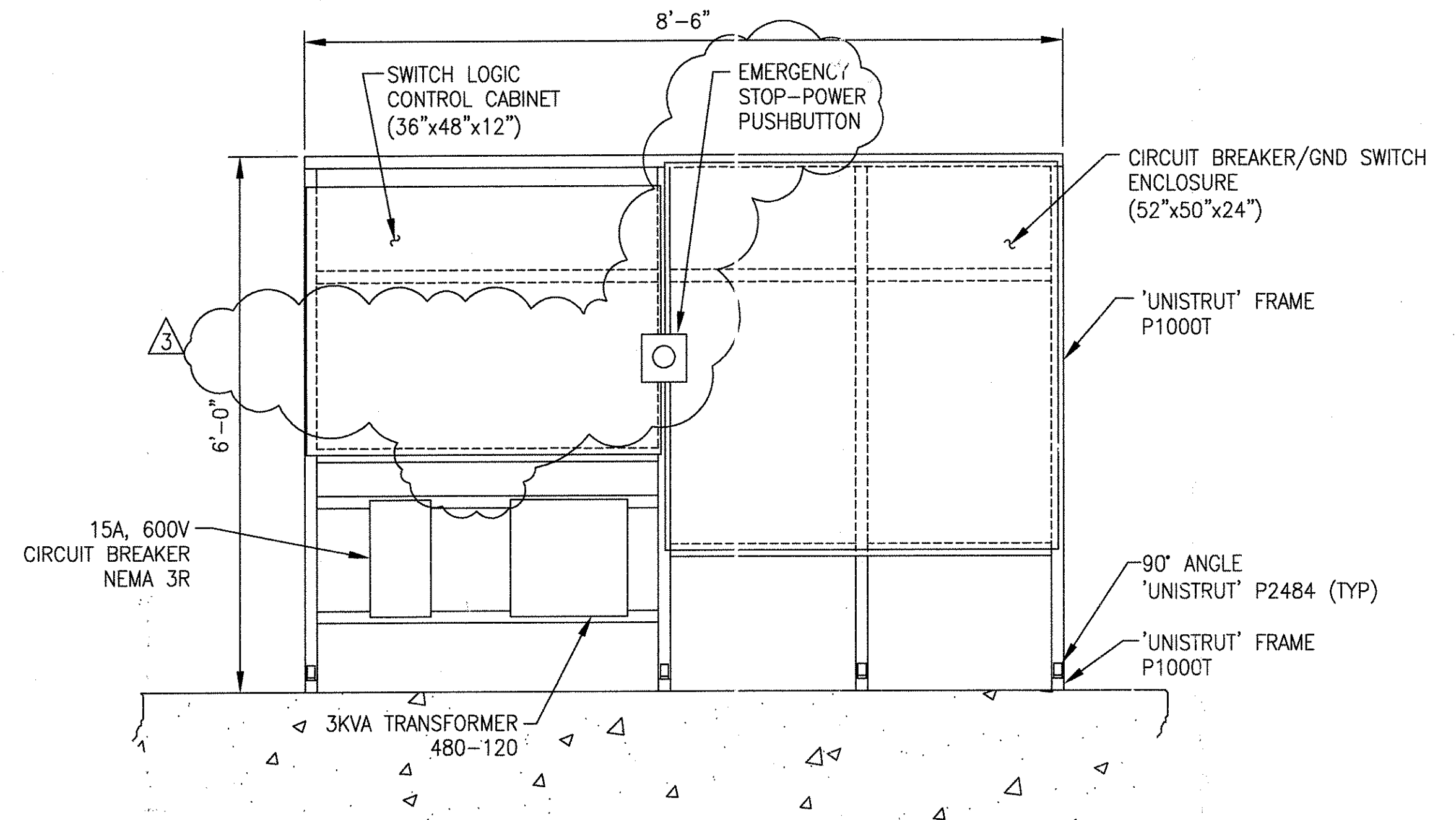
DETAIL-7 (AS SHOWN)
DETAIL-8 (AS NOTED)



DETAIL-13



DETAIL-6



DETAIL-11 (AS SHOWN)
DETAIL-12 (OPP. HAND)

THIS DOCUMENT AND ITS CONTENTS ARE THE PROPERTY OF BOMBARDIER INC. OR ITS SUBSIDIARIES. THIS DOCUMENT CONTAINS CONFIDENTIAL PROPRIETARY INFORMATION. THE REPRODUCTION, DISTRIBUTION, UTILIZATION OR THE COMMUNICATION OF THIS DOCUMENT OR ANY PART THEREOF, WITHOUT EXPRESS AUTHORIZATION IS STRICTLY PROHIBITED. OFFENDERS WILL BE HELD LIABLE FOR THE PAYMENT OF DAMAGES.

1	ICN HOAB-B2065	SIGNATURES ON FILE
2	ICN HOAB-B2065 EON42824	SIGNATURES ON FILE
3	ICN HOAB-B2065 WR 2001346	SIGNATURES ON FILE

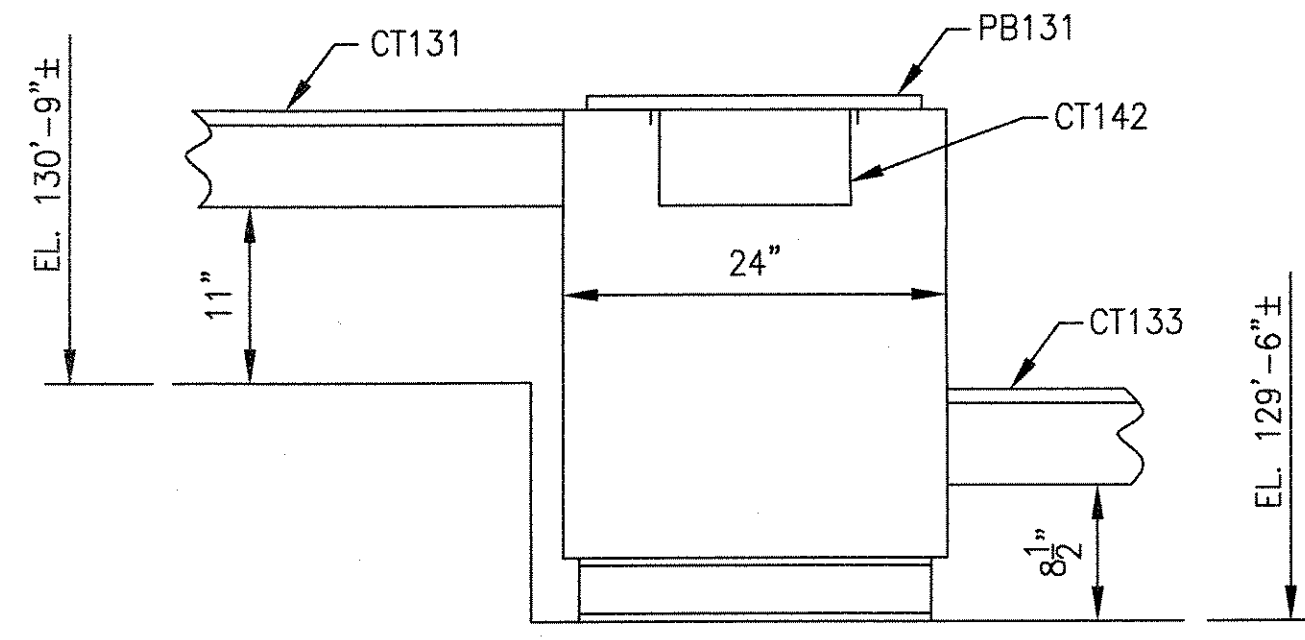
NO CHANGE THIS SHEET
ISSUE FOR CONSTRUCTION
R.D. PELKEY 4/16/03
T. NEVILLE
J. CARNEVALE

SHEETS 1, 2 & 7
REVISED PER AS BUILT
CONDITIONS
P. CARSON 7/31/05
A. ROMEO
J. CARNEVALE

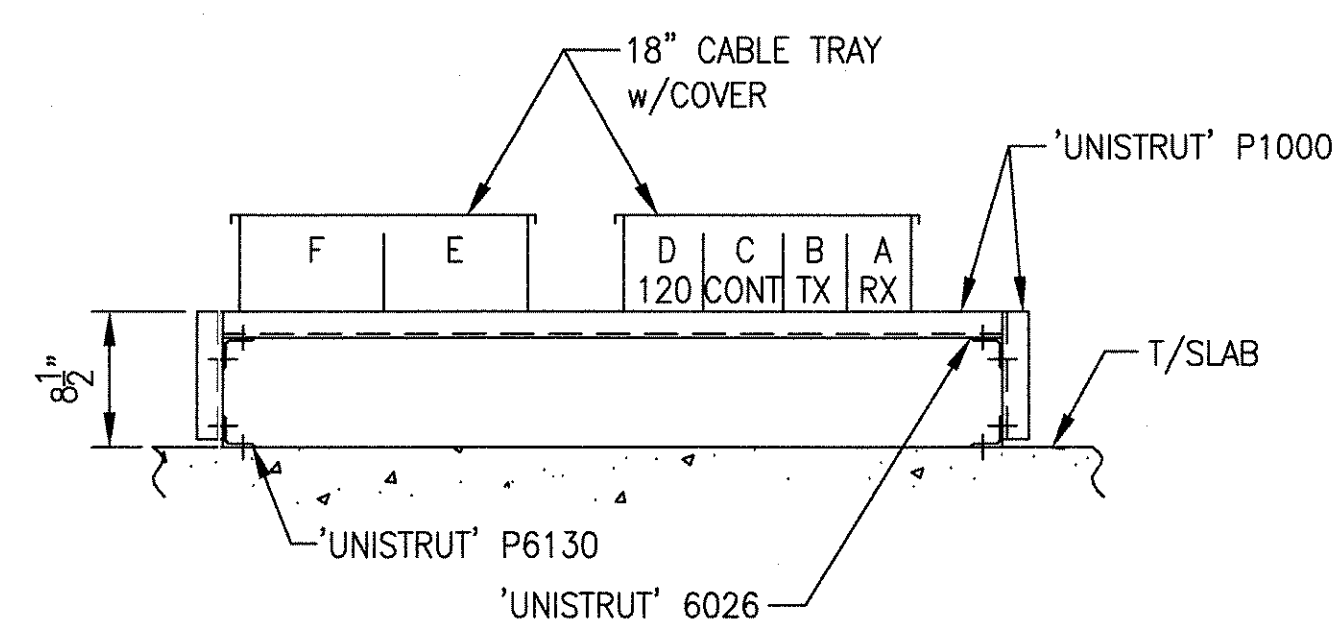
GEOMETRIC CHARACTERISTIC SYMBOLS	
FLATNESS	—
STRAIGHTNESS	—
ROUNDNESS (CIRCULARITY)	○
CYLINDRICITY	○
PROFILE OF ANY LINE	—
PROFILE OF ANY SURFACE	—
PARALLELISM	—
PERPENDICULARITY (SQ.∞RENESS)	—
ANGULARITY	—
RUNOUT	—
TRUE POSITION	—
CONCENTRICITY	—
SYMMETRY	—
MAXIMUM MATERIAL CONDITION (MMC)	—
REGARDLESS OF FEATURE SIZE	—

DFTM. ECE/PWI	DATE 4/29/02
CHKR.	
ENGRG. T. NEVILLE	05/01/02
MFG.	
APPD.	
DFTG. SUPV. J. CARNEVALE	

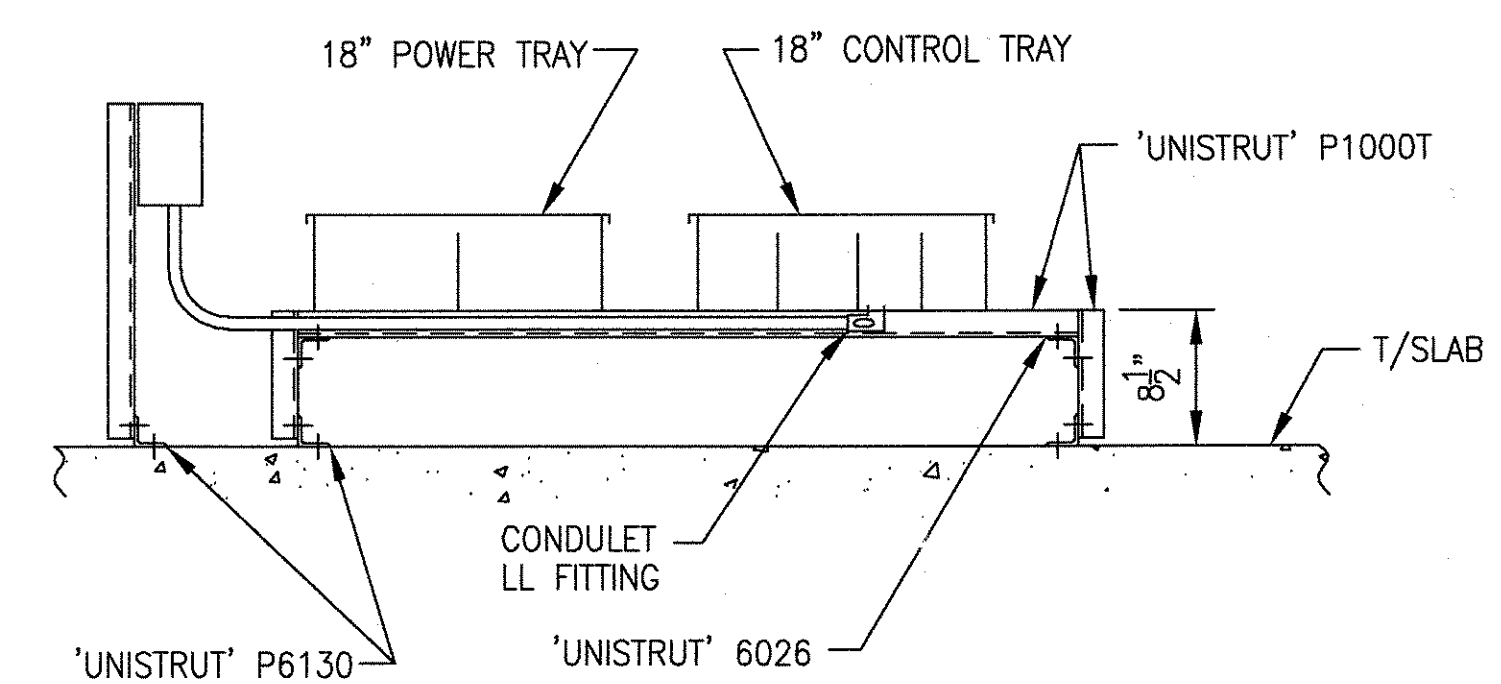
BOMBARDIER	
TITLE GEORGE BUSH INTERCONTINENTAL AIRPORT HOUSTON PHASE 2 EXTENSION	
DIMENSIONS IN SYSTEM DETAILS	
SIZE D	DWG. NO. 6D60560
SCALE 3/4"=1'-0" WT.	REV. 3
SHEET 2	



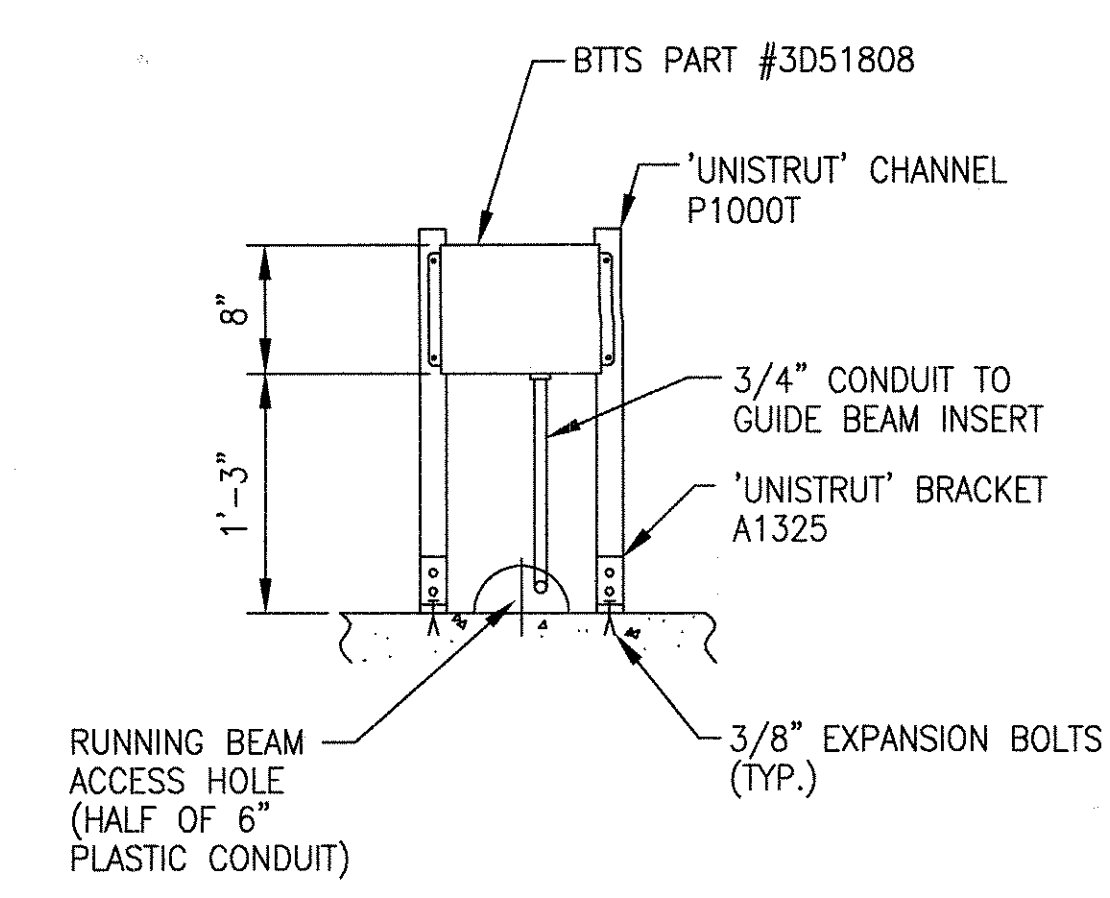
SECTION L-L



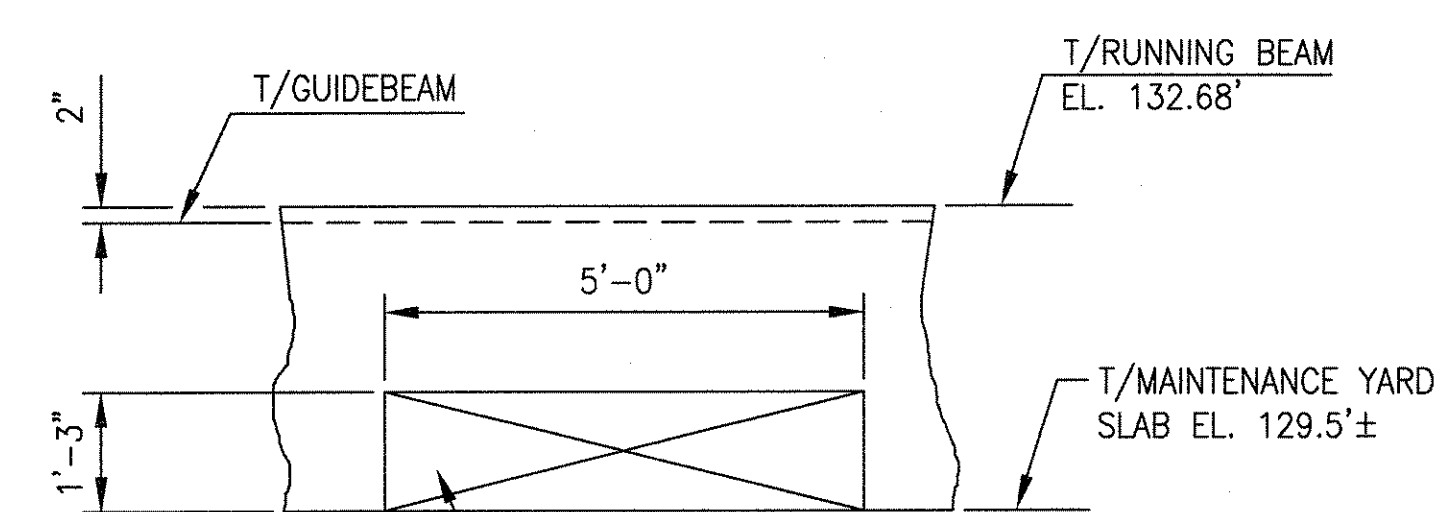
SECTION M-M



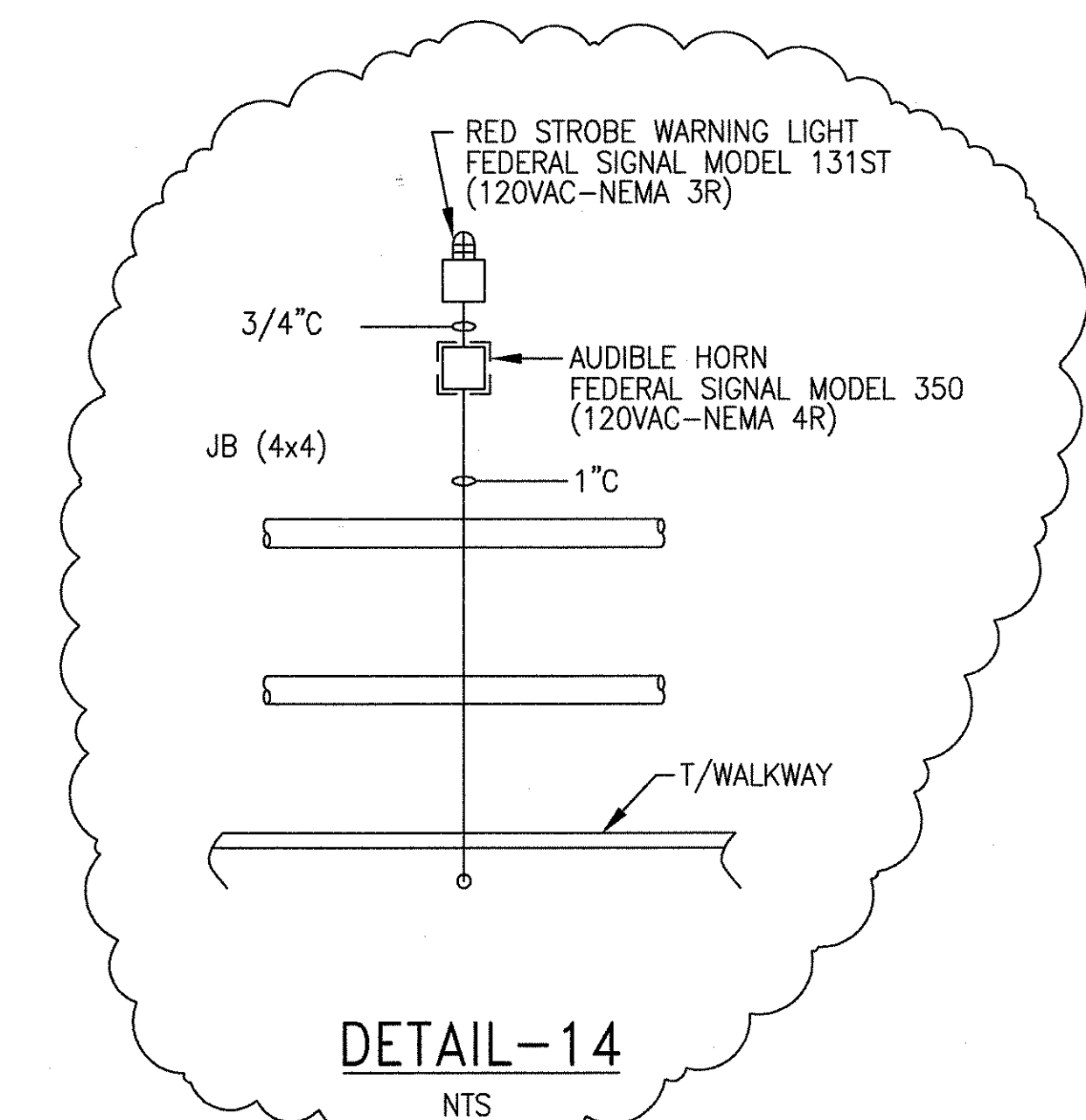
SECTION N-N



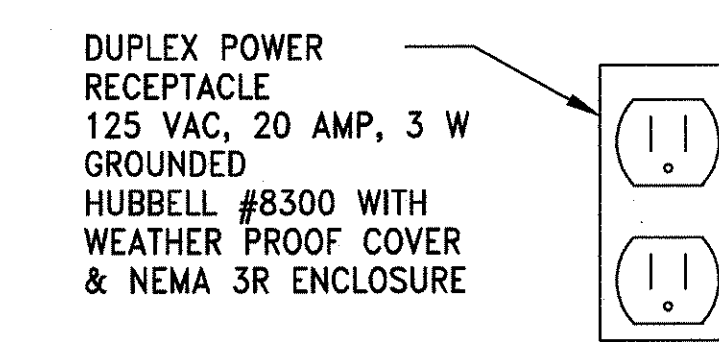
DETAIL-18
(TYPICAL)



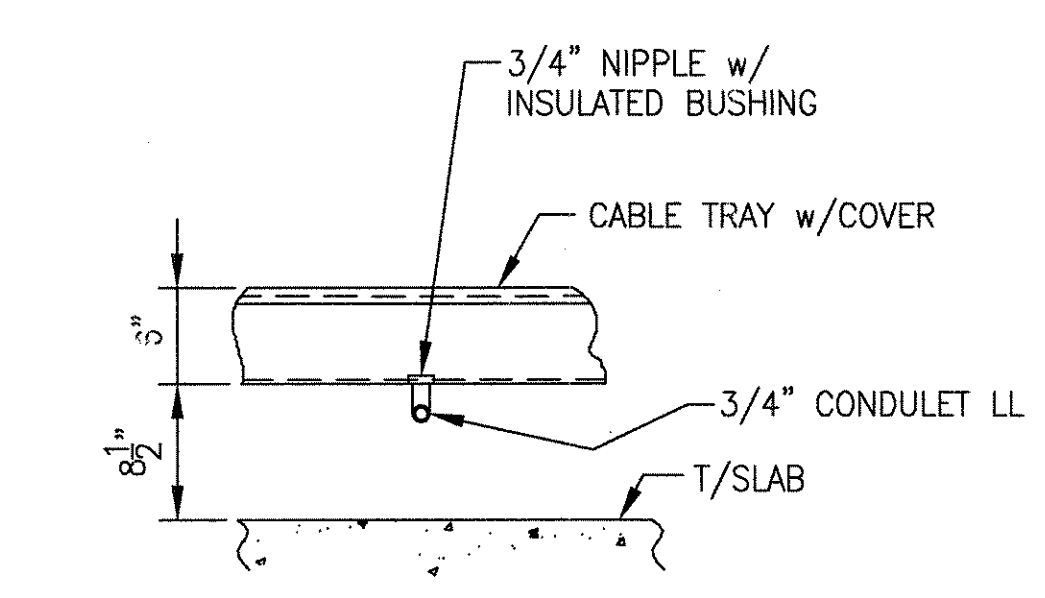
SECTION P-P



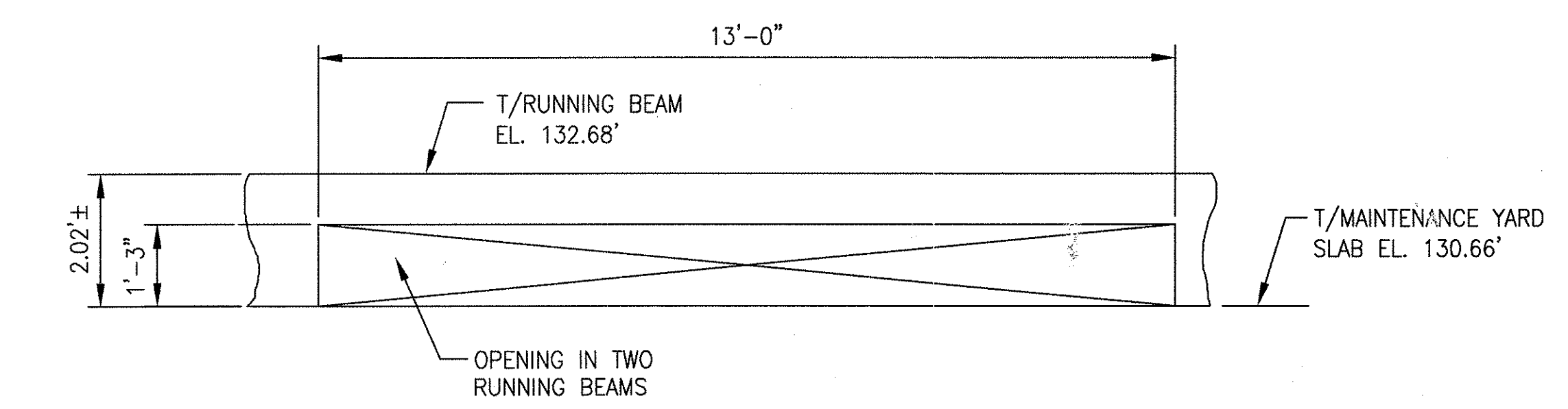
DETAIL-14
NTS



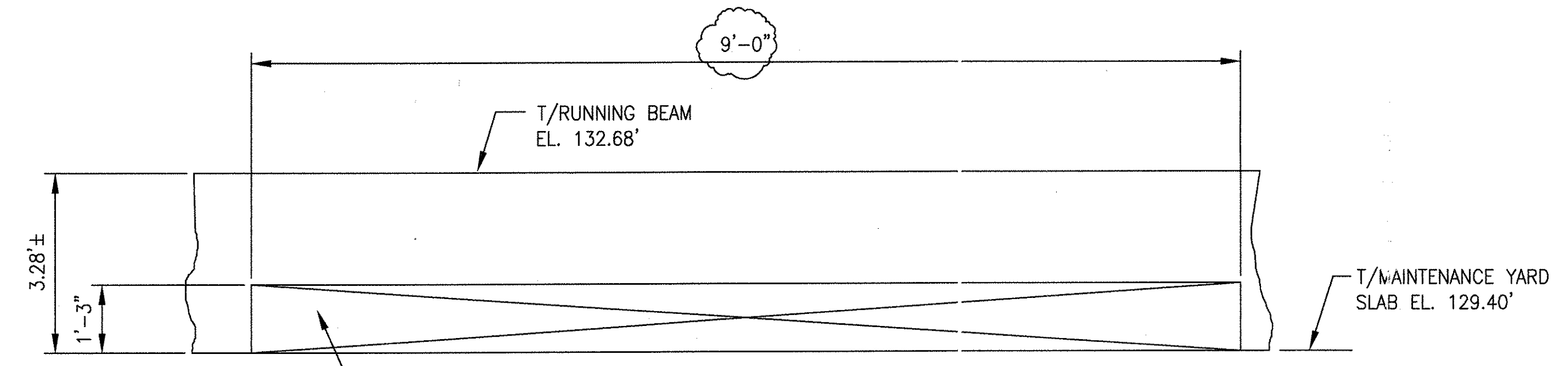
DETAIL-15



DETAIL-19
(TYPICAL)



SECTION R-R



SECTION S-S

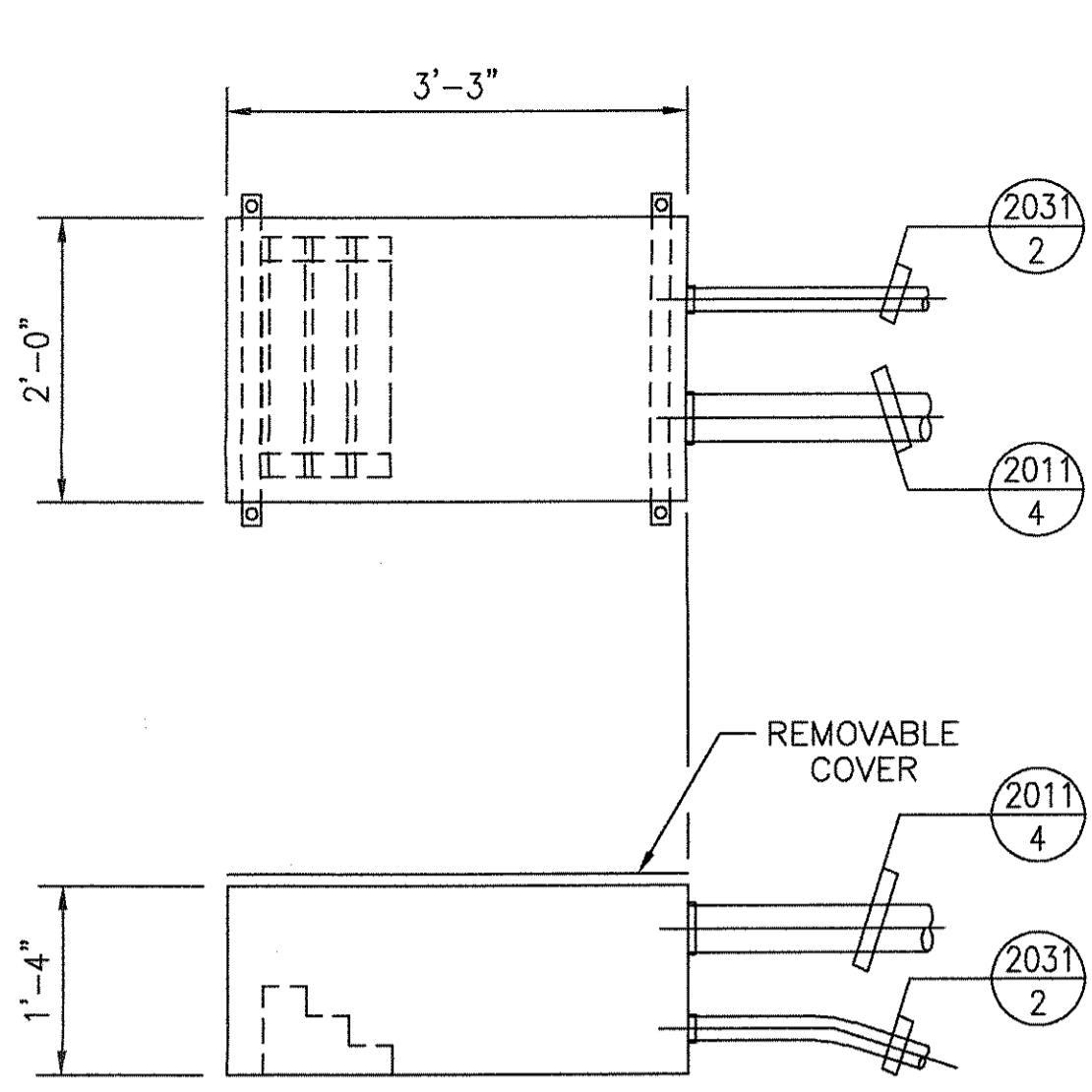
THIS DOCUMENT AND ITS CONTENTS ARE THE PROPERTY OF BOMBARDIER INC. OR ITS SUBSIDIARIES. THIS DOCUMENT CONTAINS CONFIDENTIAL PROPRIETARY INFORMATION. THE REPRODUCTION, DISTRIBUTION, UTILIZATION OR THE COMMUNICATION OF THIS DOCUMENT OR ANY PART THEREOF, WITHOUT EXPRESS AUTHORIZATION IS STRICTLY PROHIBITED. OFFENDERS WILL BE HELD LIABLE FOR THE PAYMENT OF DAMAGES.

AutoCAD	1	2	3
TCN HOAB-B2065	TCN HOAB-B2065	TCN HOAB-B2065	TCN HOAB-B2065
D. 7DSB73-A	ECN42824	WR 2001346	WR 2001346
CHANGE	ADDED DETAIL 14	SHEETS 1, 2 & 7	SHEETS 1, 2 & 7
(R)	REVISED SECTION S-S	REVISED PER AS BUILT	REVISED PER AS BUILT
	ISSUE FOR CONSTRUCTION	CONDITIONS	CONDITIONS
	R.D. PELKEY 4/16/03	P. CARSON 7/31/05	P. CARSON 7/31/05
	T. NEVILLE	A. ROMEO	A. ROMEO
	J. CARNEVALE	J. CARNEVALE	J. CARNEVALE
(R)			

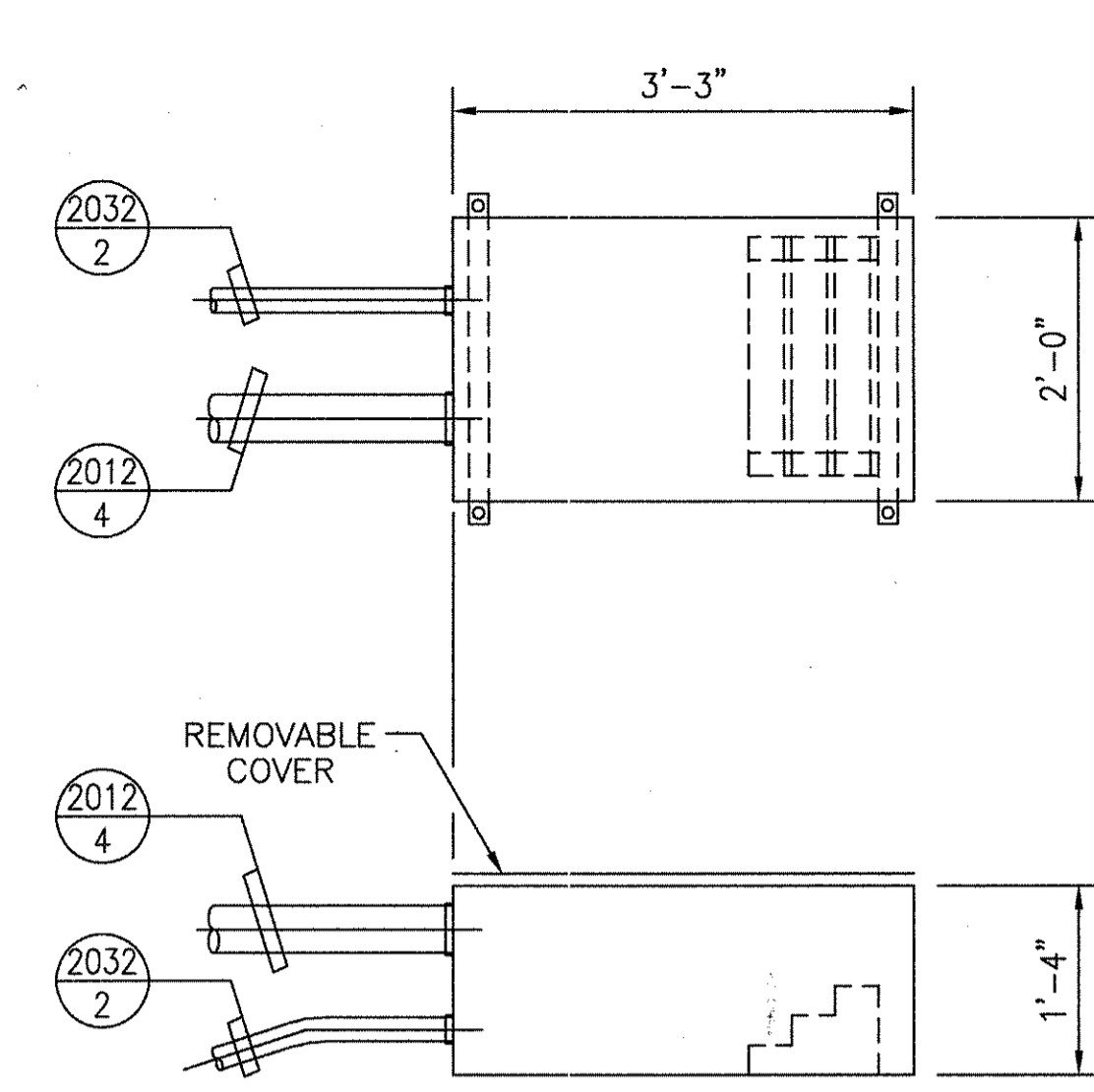
GEOMETRIC CHARACTERISTIC SYMBOLS	
FLATNESS	≡
STRAIGHTNESS	—
ROUNDNESS (CIRCULARITY)	○
CYLINDRICITY	⊘
PROFILE OF ANY LINE	⌒
PROFILE OF ANY SURFACE	⌒
PARALLELISM	∥
PERPENDICULARITY (SQUARENESS)	⊥
ANGULARITY	∠
RUNOUT	↻
TRUE POSITION	⊕
CONCENTRICITY	⊙
SYMMETRY	⊖
MAXIMUM MATERIAL CONDITION (MMC)	Ⓜ
REGARDLESS OF FEATURE SIZE	Ⓜ

DFTM.	ECE/PWI	DATE	4/29/02
CHKR.			
ENGRG.	T. NEVILLE	5-1-02	
MFG.			
APPD.			
DFTG. SUPV.	J. CARNEVALE		

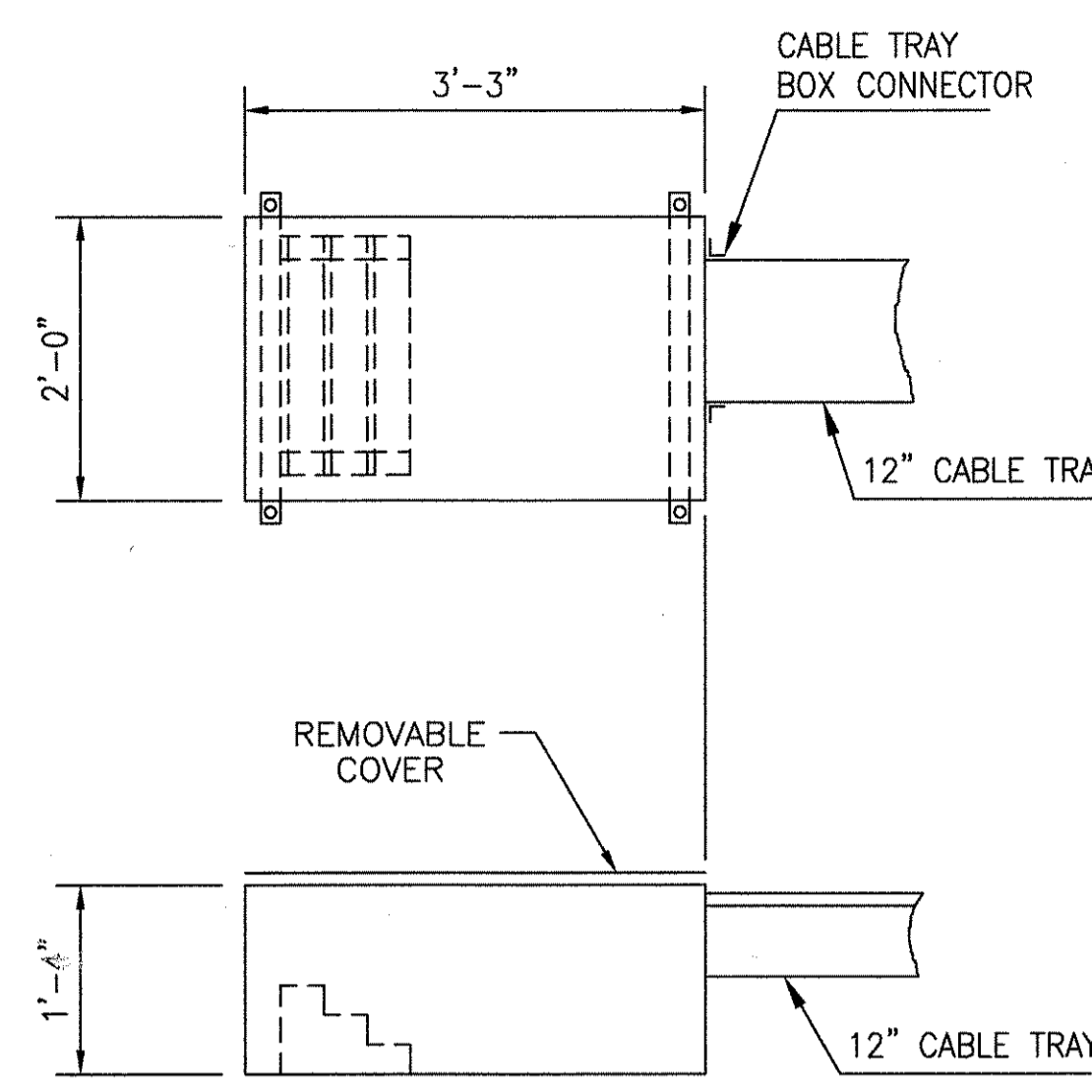
BOMBARDIER	
TITLE GEORGE BUSH INTERCONTINENTAL AIRPORT	
HOUSTON PHASE 2 EXTENSION	
SYSTEM DETAILS	
SIZE	D
DWG. NO.	6D60560
REV.	3
SCALE	1"=1'-0" WT.
SHEET	3



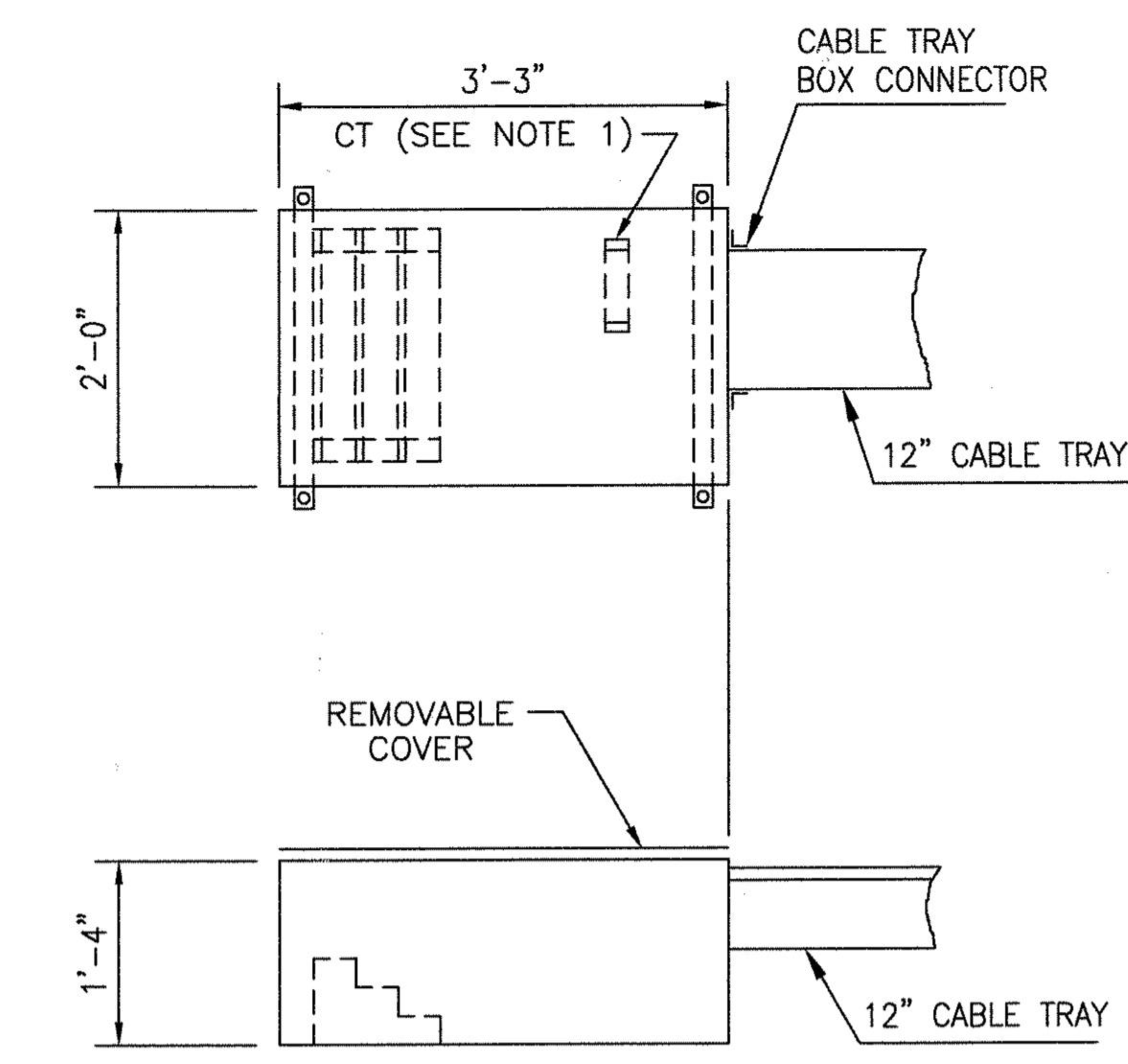
DETAIL-31
TERMINATION BOX [761]



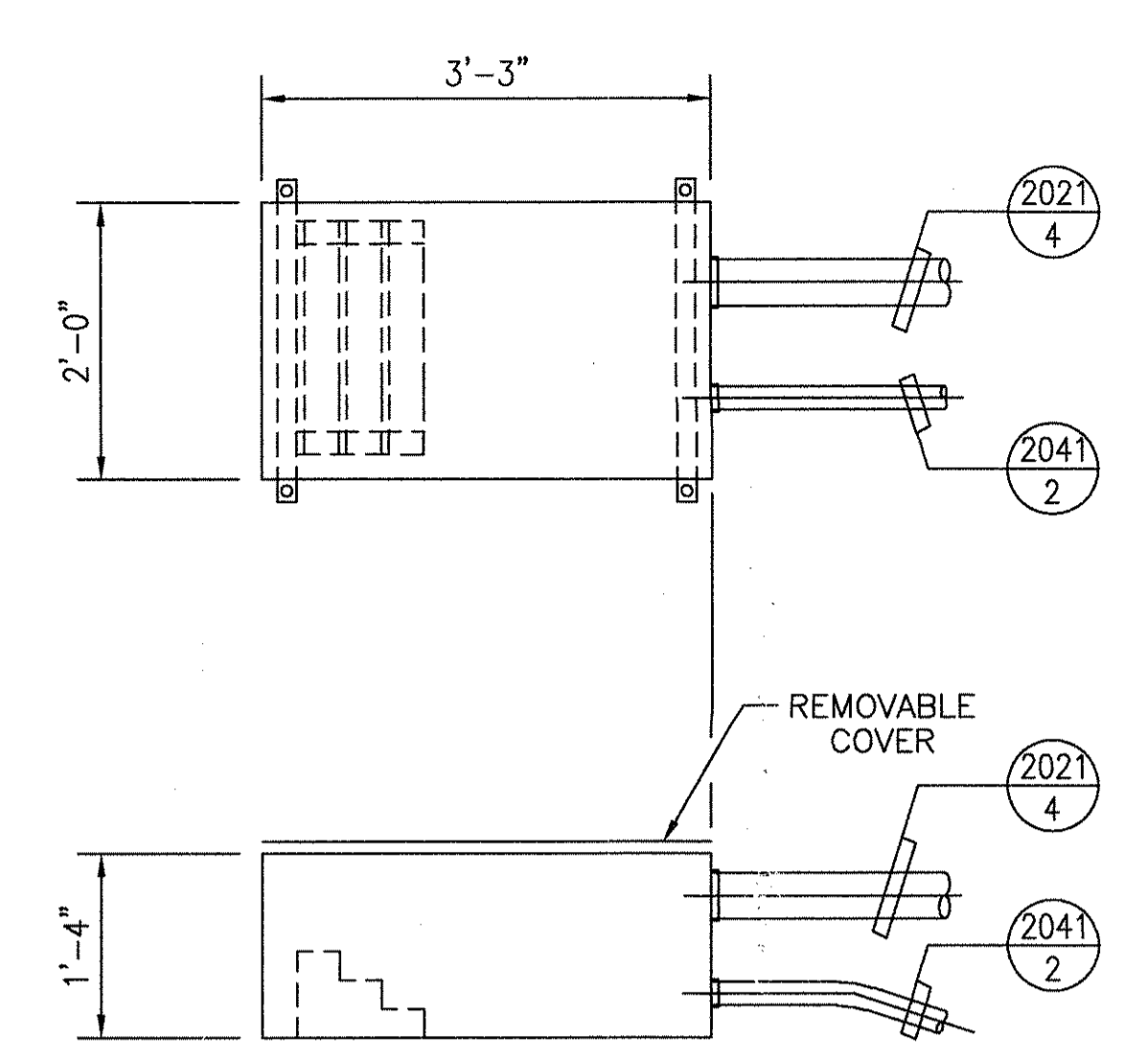
DETAIL-32
TERMINATION BOX [762]



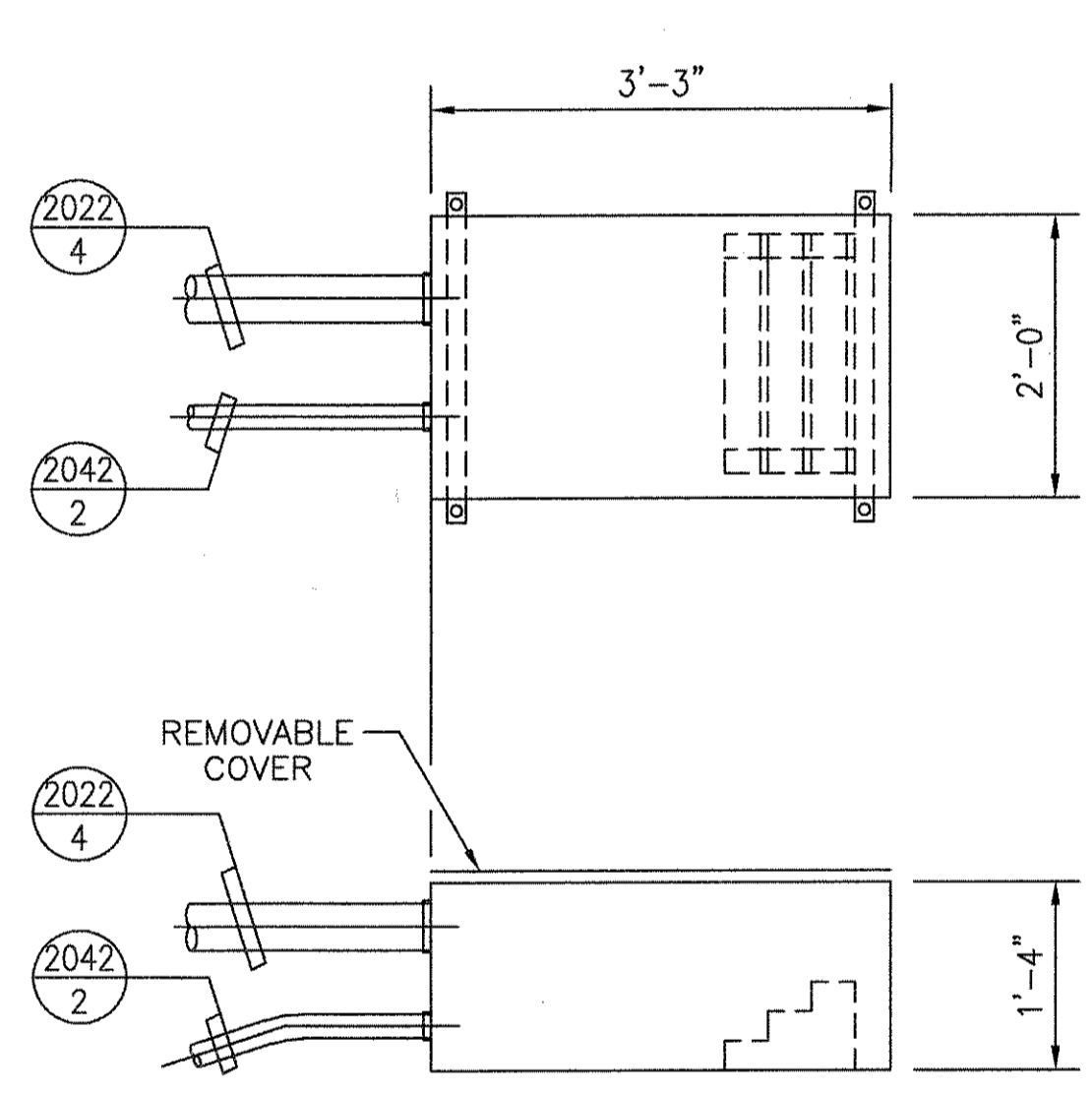
DETAIL-33
TERMINATION BOX [763]



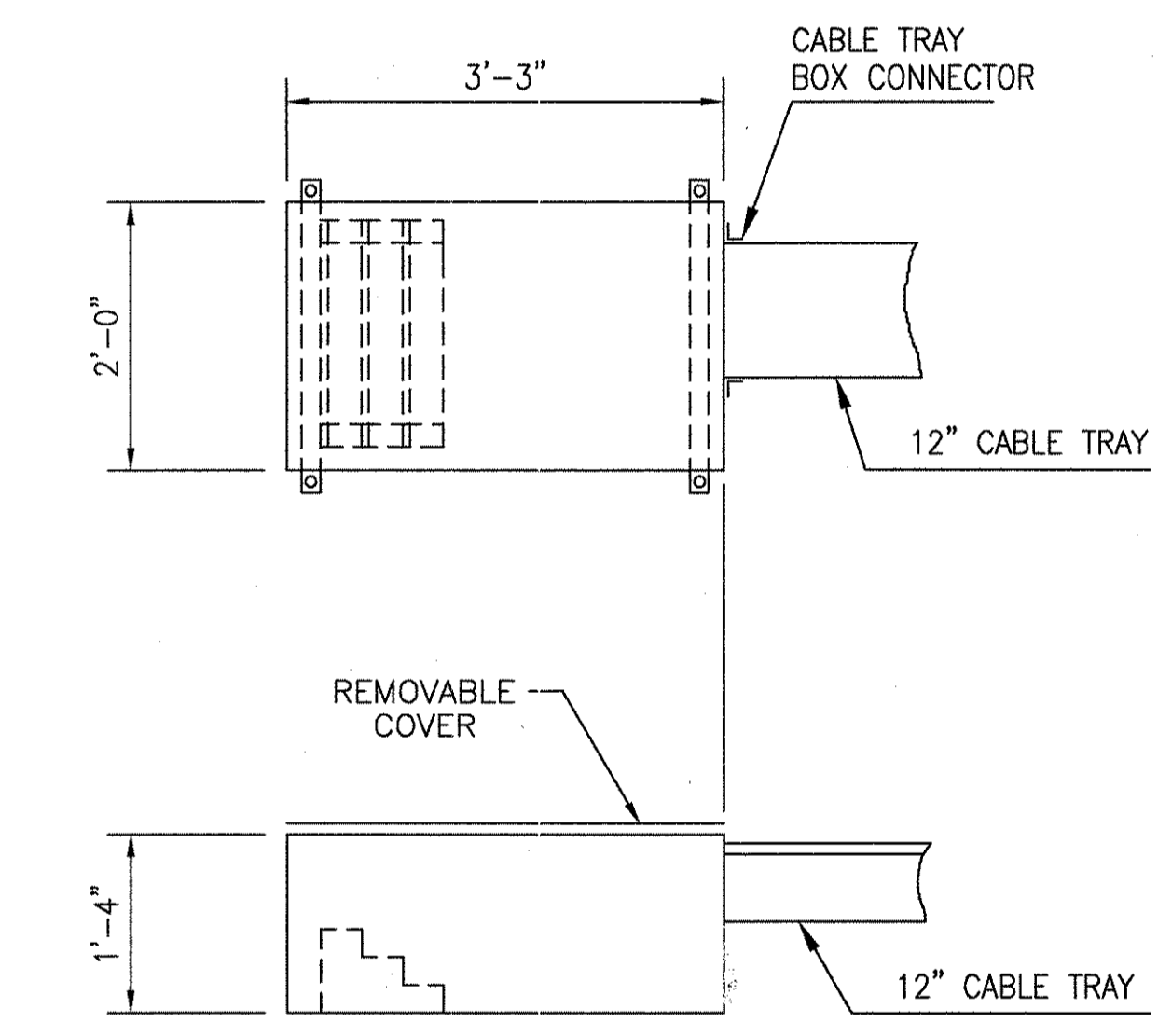
DETAIL-34
TERMINATION BOX [764]



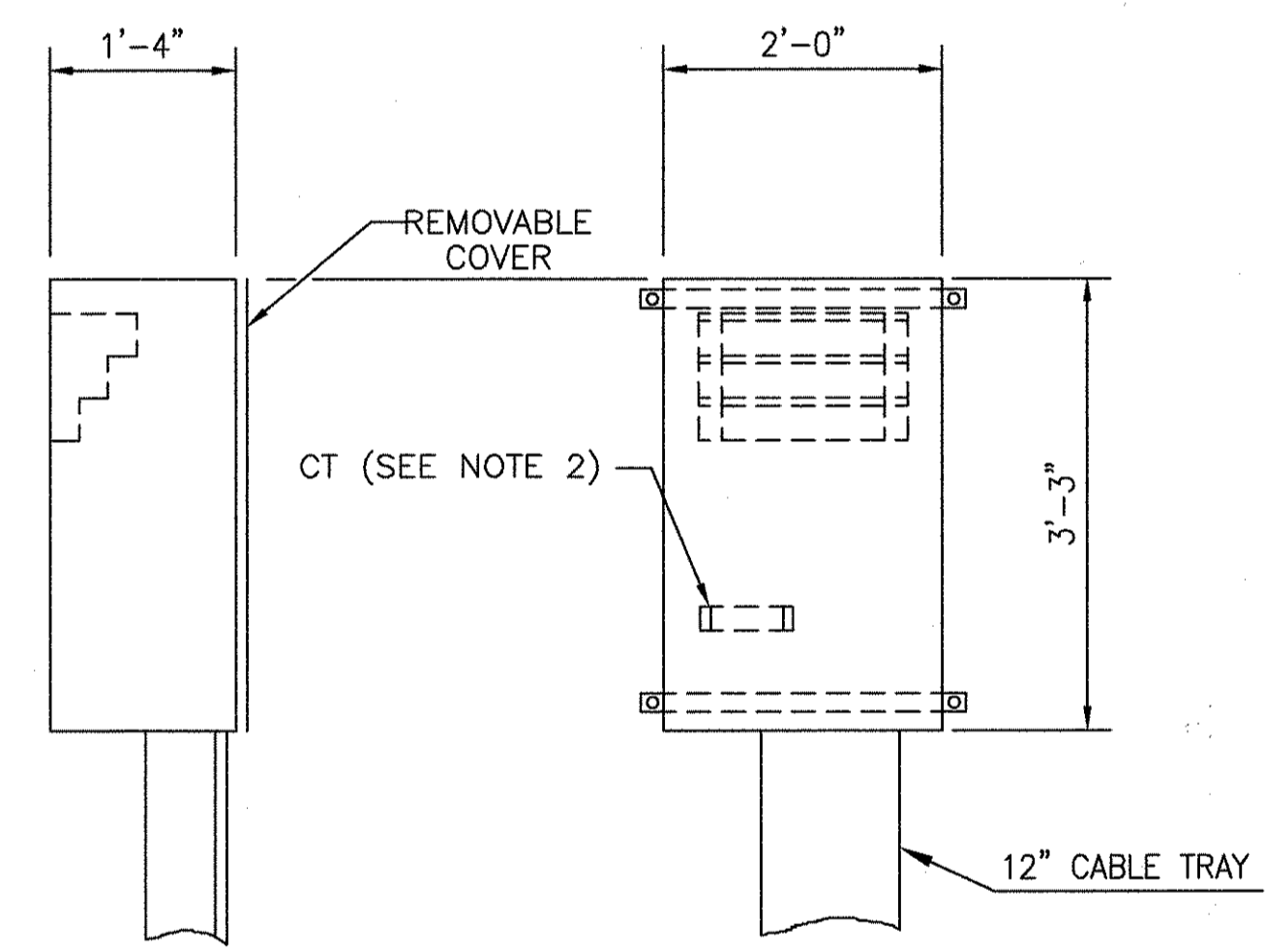
DETAIL-35
TERMINATION BOX [765]



DETAIL-36
TERMINATION BOX [766]



DETAIL-37
TERMINATION BOX [767]



DETAIL-38
TERMINATION BOX [770]

- NOTES:**
1. PROVIDE CT FOR CABLE #2034 SEE 6D60565 SHEET-4
 2. PROVIDE CT FOR CABLE #2044 SEE 6D60565 SHEET-4

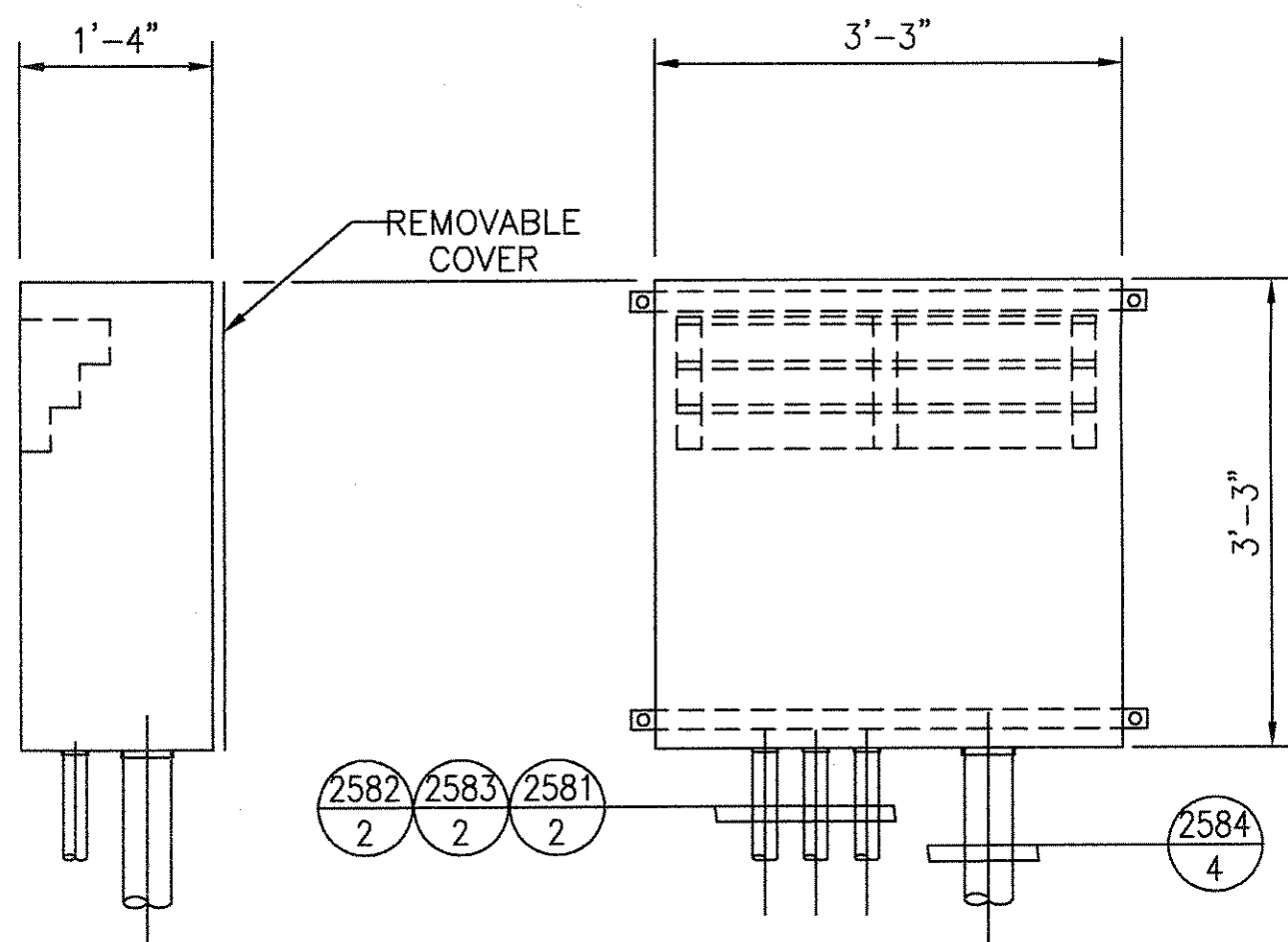
THIS DOCUMENT AND ITS CONTENTS ARE THE PROPERTY OF BOMBARDIER INC. OR ITS SUBSIDIARIES. THIS DOCUMENT CONTAINS CONFIDENTIAL PROPRIETARY INFORMATION. THE REPRODUCTION, DISTRIBUTION, UTILIZATION OR THE COMMUNICATION OF THIS DOCUMENT OR ANY PART THEREOF, WITHOUT EXPRESS AUTHORIZATION IS STRICTLY PROHIBITED. OFFENDERS WILL BE HELD LIABLE FOR THE PAYMENT OF DAMAGES.

1	TCN HOAB-B2065 D. 7DS873-A CHANGE	SIGNATURES ON FILE	2	TCN HOAB-B2065 EON42824	NO CHANGE THIS SHEET ISSUE FOR CONSTRUCTION	R.D. PELKEY 4/15/03 T. NEVILLE J. CARNEVALE	3	TCN HOAB-B2065 WR 2001346	SHEETS 1, 2 & 7 REVISED PER AS BUILT CONDITIONS	P. CARSON 7/31/05 A. ROMEO J. CARNEVALE
---	---	--------------------	---	----------------------------	--	---	---	------------------------------	---	---

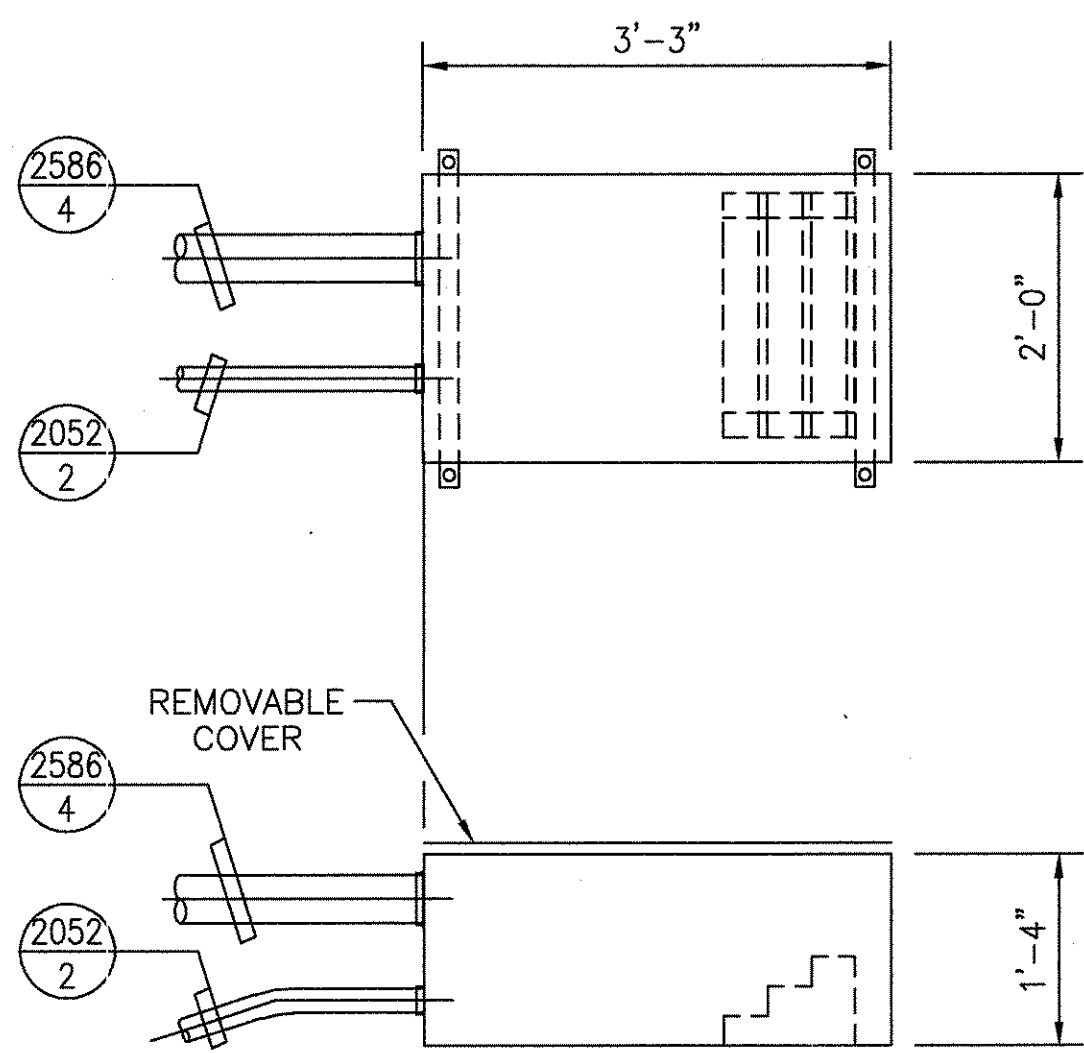
GEOMETRIC CHARACTERISTIC SYMBOLS	
FLATNESS	▭
STRAIGHTNESS	—
ROUNDNESS (CIRCULARITY)	○
CYLINDRICITY	○
PROFILE OF ANY LINE	—
PROFILE OF ANY SURFACE	—
PARALLELISM	∥
PERPENDICULARITY (SQUARENESS)	⊥
ANGULARITY	∠
RUNOUT	↻
TRUE POSITION	⊕
CONCENTRICITY	⊙
SYMMETRY	⊖
MAXIMUM MATERIAL CONDITION (MMC)	Ⓜ
REGARDLESS OF FEATURE SIZE	Ⓜ

DFTM. ECE/PWI	4/30/02
CHKR.	
ENGRG. T. NEVILLE	5-1-02
MFG.	
APPD.	
DFTG. SUPV. J. CARNEVALE	

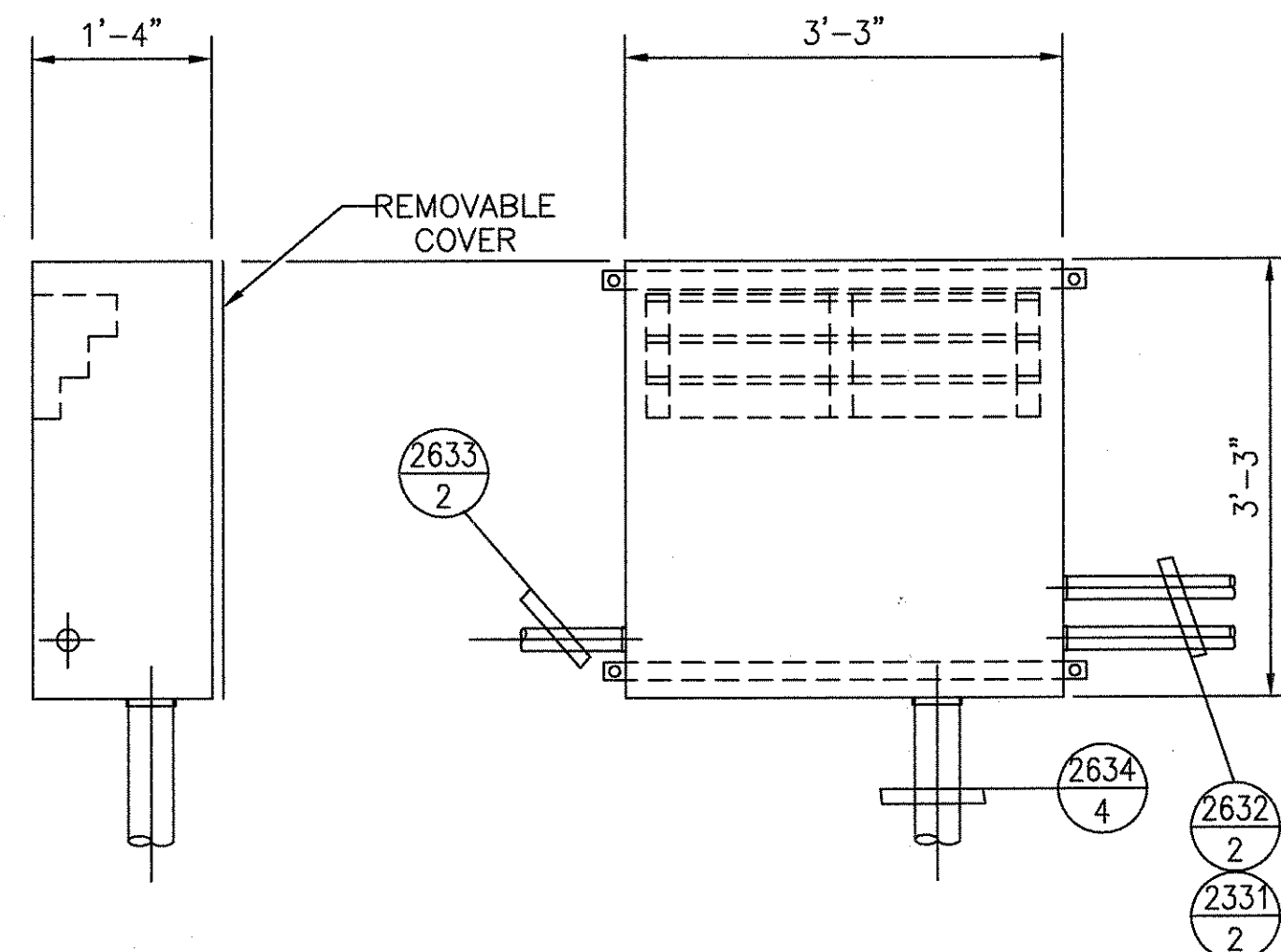
BOMBARDIER	
TITLE GEORGE BUSH INTERCONTINENTAL AIRPORT	
HOUSTON PHASE 2 EXTENSION	
SYSTEM DETAILS	
DIMENSIONS IN	DWS. NO. 6D60560
SCALE 3/4"=1'-0" WT.	REV. 2
SHEET 5	



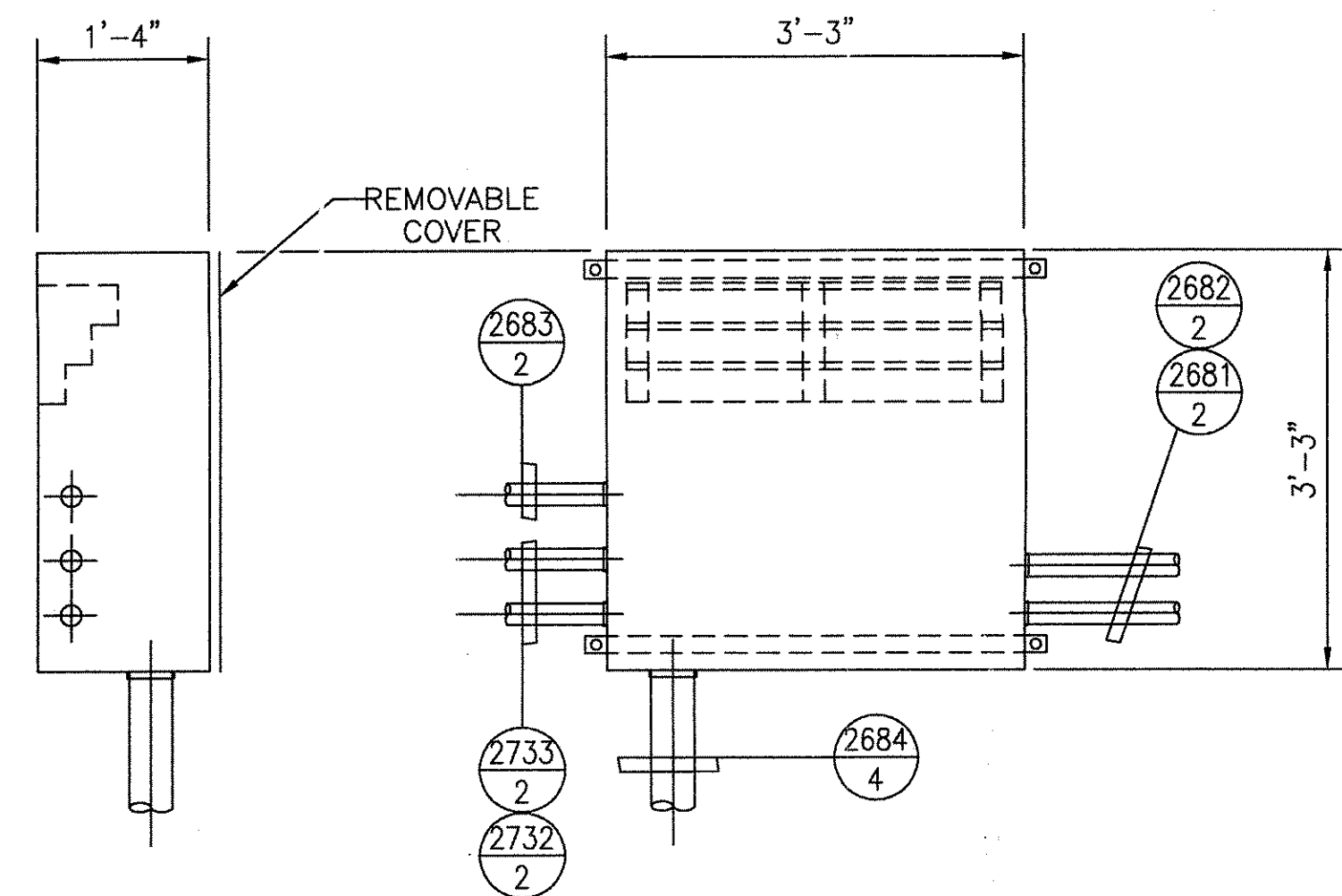
DETAIL-43
TERMINATION BOX [1081]



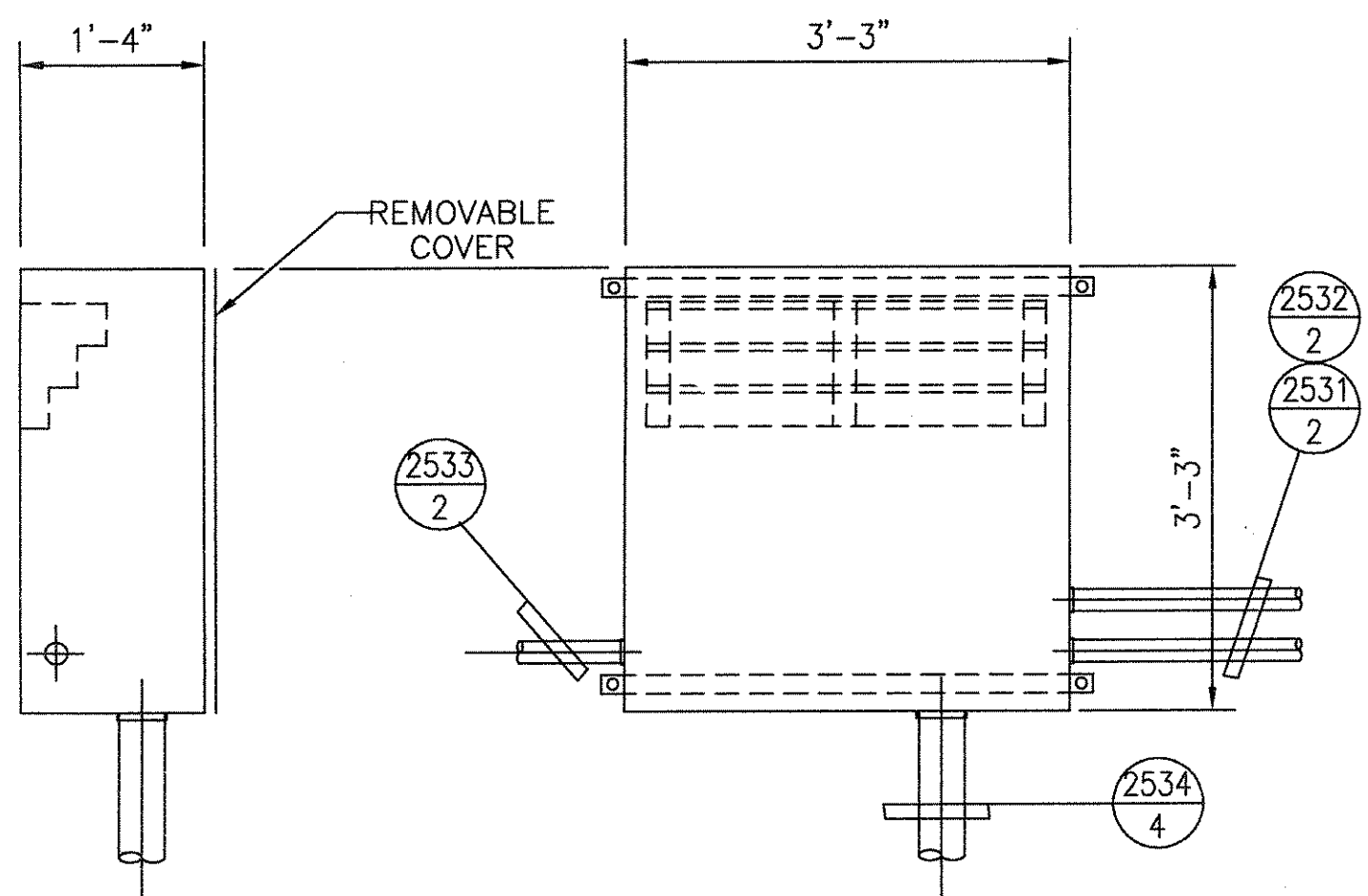
DETAIL-44
TERMINATION BOX [772]



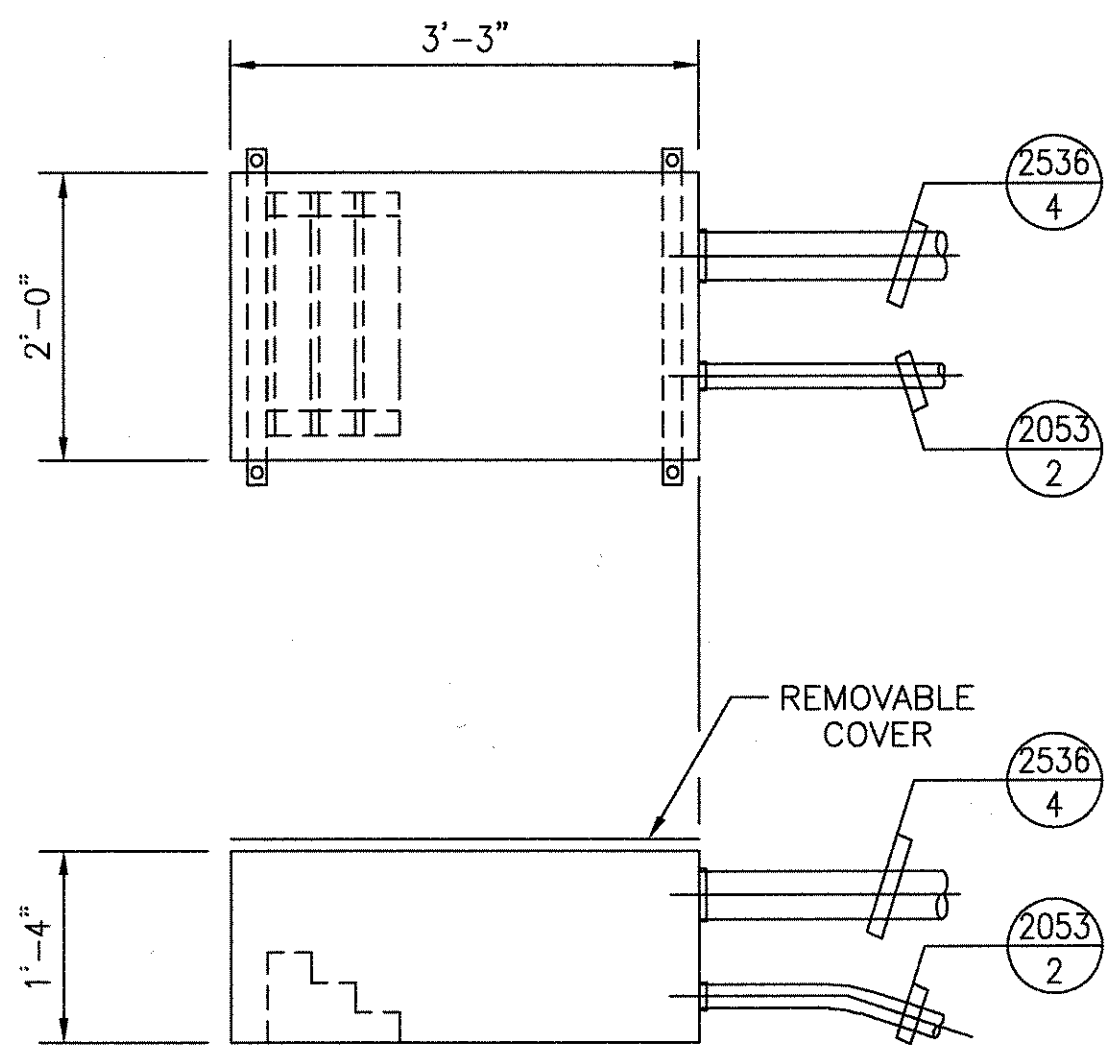
DETAIL-51
TERMINATION BOX [1307]



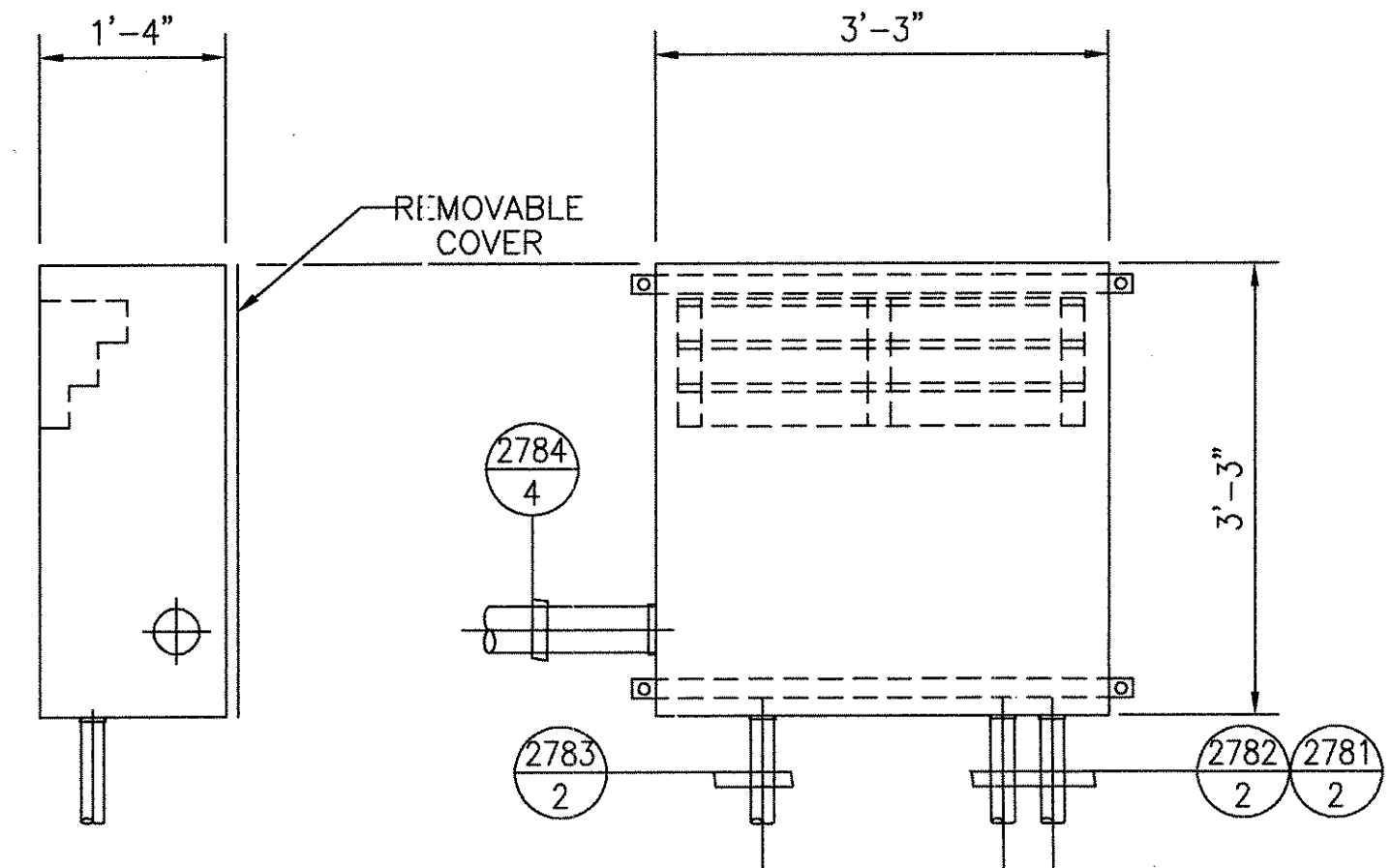
DETAIL-52
TERMINATION BOX [1331]



DETAIL-41
TERMINATION BOX [1057]



DETAIL-42
TERMINATION BOX [771]



DETAIL-54
TERMINATION BOX [1381]

THIS DOCUMENT AND ITS CONTENTS ARE THE PROPERTY OF BOMBARDIER INC. OR ITS SUBSIDIARIES. THIS DOCUMENT CONTAINS CONFIDENTIAL PROPRIETARY INFORMATION. THE REPRODUCTION, DISTRIBUTION, UTILIZATION OR THE COMMUNICATION OF THIS DOCUMENT OR ANY PART THEREOF, WITHOUT EXPRESS AUTHORIZATION IS STRICTLY PROHIBITED. OFFENDERS WILL BE HELD LIABLE FOR THE PAYMENT OF DAMAGES.

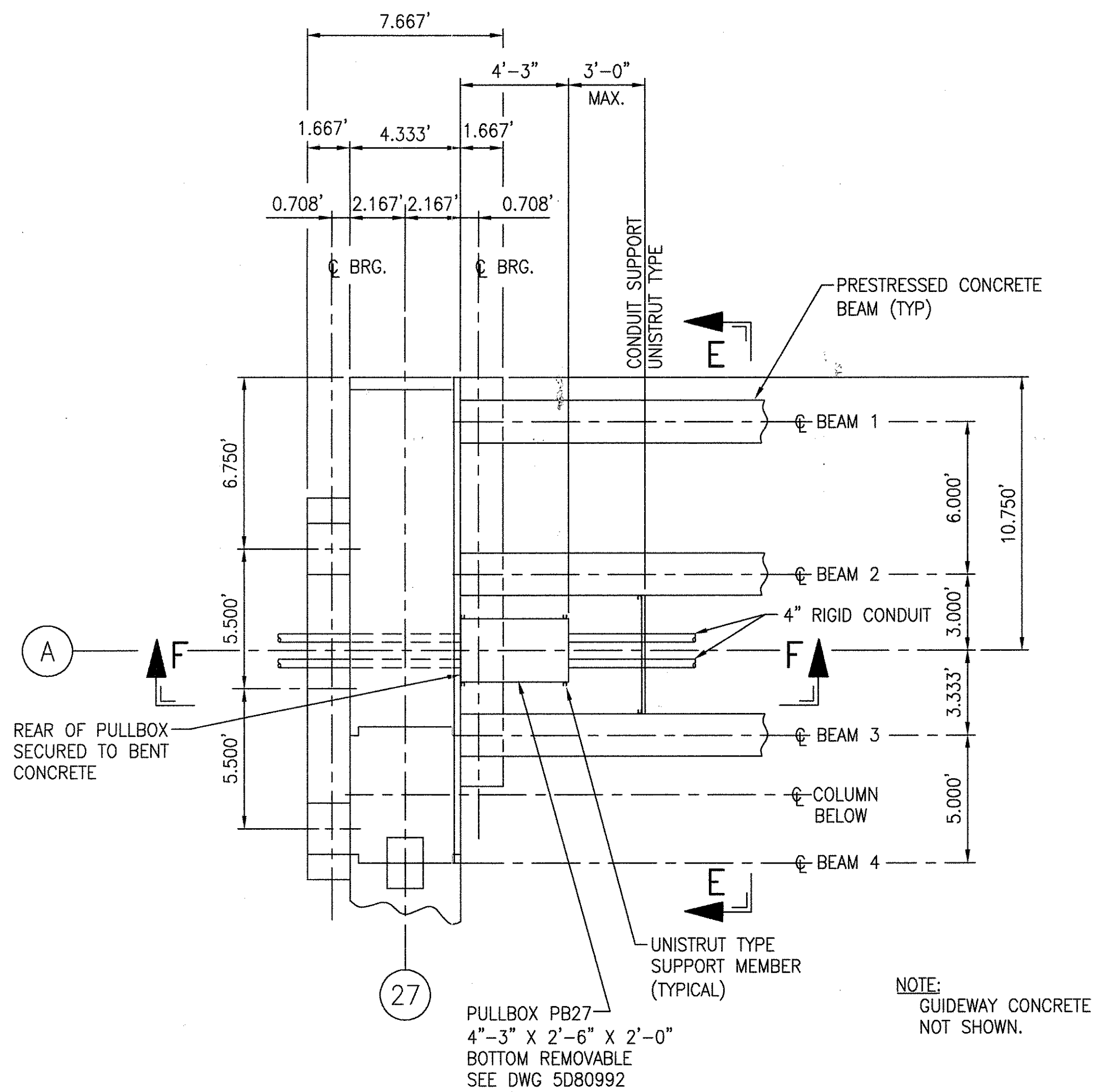
1	CHANGE	
SIGNATURES ON FILE		
2	TCN HOAB-B2065	
	ECM42824	
NO CHANGE THIS SHEET		
ISSUE FOR CONSTRUCTION		
	R.D. PELKEY 4/16/03	
	T. NEVILLE	
	J. CARNEVALE	
SIGNATURES ON FILE		
3	TCN HOAB-B2065	
	WR 2001346	
SHEETS 1, 2 & 7		
REVISED PER AS BUILT		
CONDITIONS		
	P. CARSON 7/31/05	
	A. ROMEO	
	J. CARNEVALE	

GEOMETRIC CHARACTERISTIC SYMBOLS	
FLATNESS	▮
STRAIGHTNESS	▮
ROUNDNESS (CIRCULARITY)	○
CYLINDRICITY	○
PROFILE OF ANY LINE	⌒
PROFILE OF ANY SURFACE	⌒
PARALLELISM	∥
PERPENDICULARITY (SQUARENESS)	⊥
ANGULARITY	∠
RUNOUT	⌒
TRUE POSITION	⊕
CONCENTRICITY	⊕
SYMMETRY	⊕
MAXIMUM MATERIAL CONDITION (MMC)	Ⓜ
REGARDLESS OF FEATURE SIZE	Ⓜ

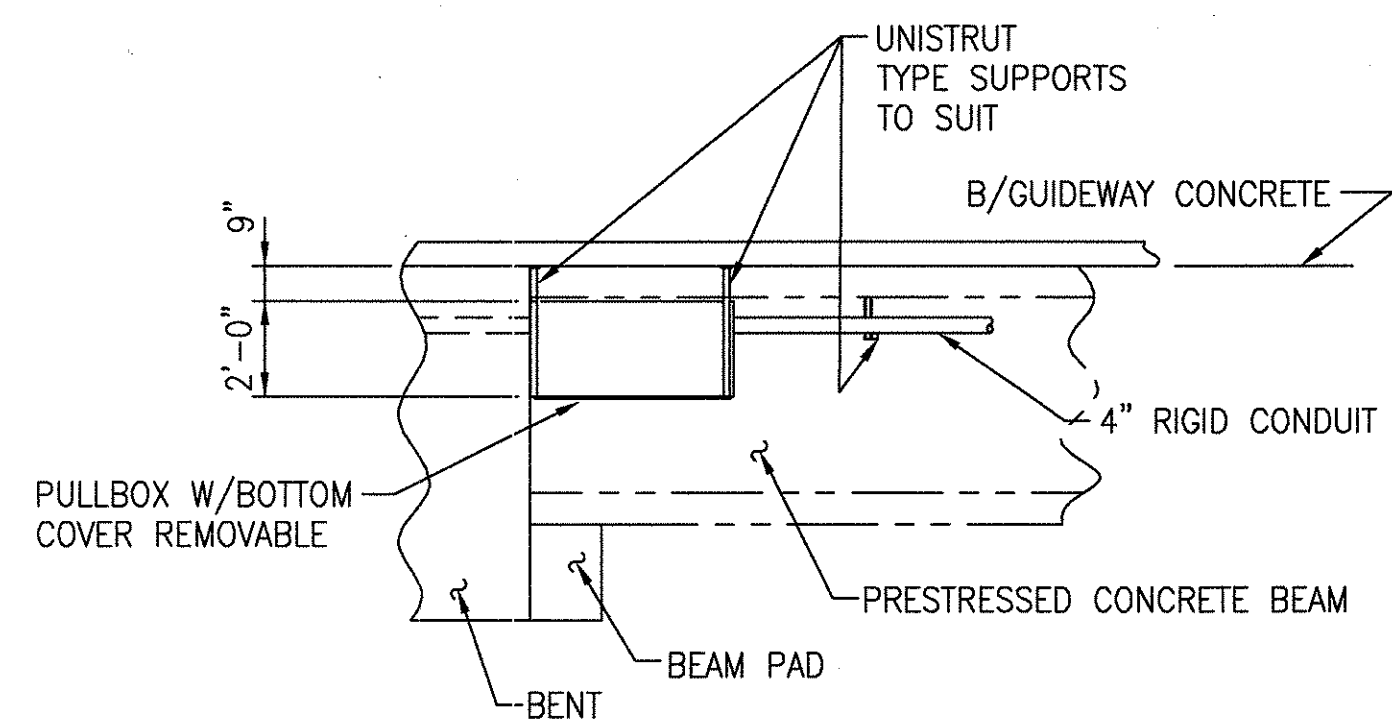
DFTM.	ECE/PWI	4/30/02
CHKR.		
ENGRG.	T. NEVILLE	5-1-02
MFG.		
APPD.		
DFTG. SUPV.	J. CARNEVALE	

BOMBARDIER	
TITLE GEORGE BUSH INTERCONTINENTAL AIRPORT	
HOUSTON PHASE 2 EXTENSION	
SYSTEM DETAILS	
DIMENSIONS IN	
SIZE	D
DWG. NO.	6D60560
REV.	2
SCALE	3/4"=1'-0" WT.
SHEET	6

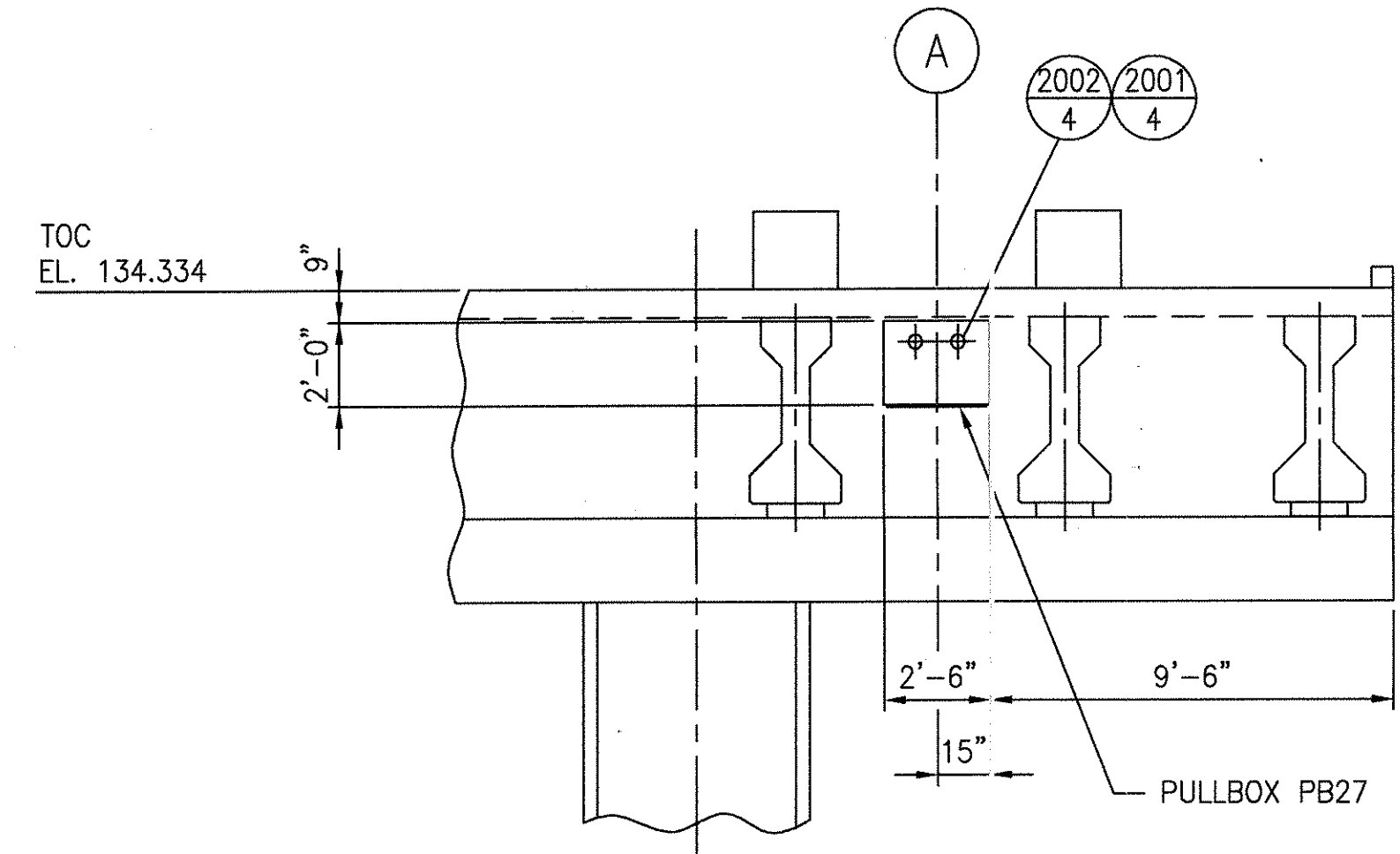
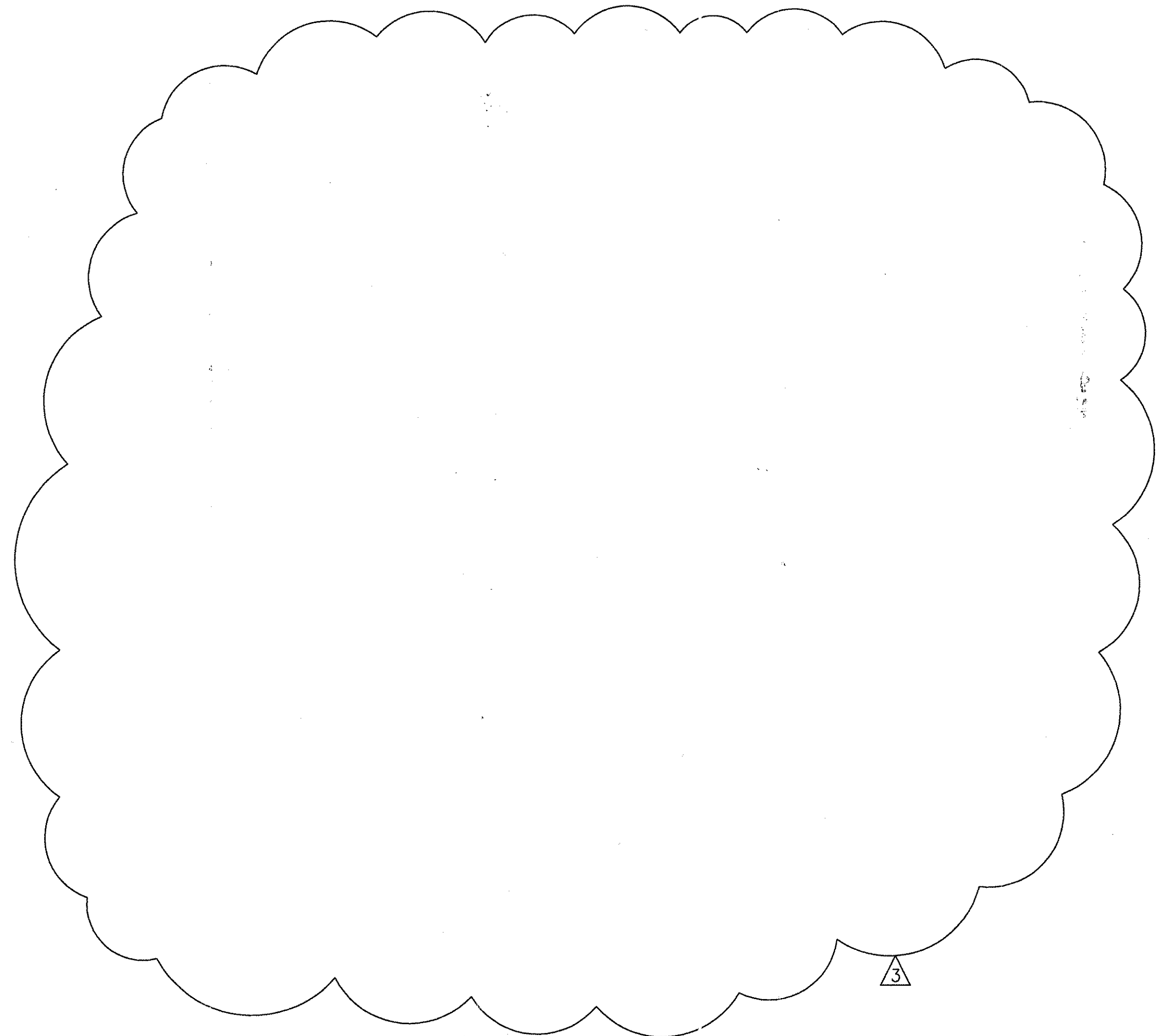
© 2005 BOMBARDIER INC. OR ITS SUBSIDIARIES. ALL RIGHTS RESERVED.



DETAIL-27



SECTION F-F



SECTION E-E

THIS DOCUMENT AND ITS CONTENTS ARE THE PROPERTY OF BOMBARDIER INC. OR ITS SUBSIDIARIES. THIS DOCUMENT CONTAINS CONFIDENTIAL PROPRIETARY INFORMATION. THE REPRODUCTION, DISTRIBUTION, UTILIZATION OR THE COMMUNICATION OF THIS DOCUMENT OR ANY PART THEREOF, WITHOUT EXPRESS AUTHORIZATION IS STRICTLY PROHIBITED. OFFENDERS WILL BE HELD LIABLE FOR THE PAYMENT OF DAMAGES.

AutoCAD

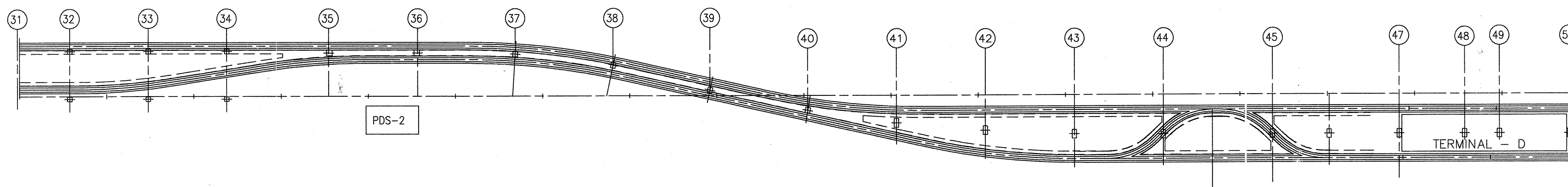
1	CHANGE	
SIGNATURES ON FILE		
2	TON HOAB-B2065 ECN42824	
REVISED DET. 27, PB27. REVISED DET. 55, PB140 ISSUE FOR CONSTRUCTION R.D. PELKEY 4/16/03 T. NEVILLE J. CARNEVALE		
SIGNATURES ON FILE		
3	TON HOAB-B2065 WR 2007346	
SHEETS 1, 2 & 7 REVISED PER AS BUILT CONDITIONS P. CARSON 7/31/05 A. ROMEO J. CARNEVALE		

GEOMETRIC CHARACTERISTIC SYMBOLS	
FLATNESS	☐
STRAIGHTNESS	—
ROUNDNESS (CIRCULARITY)	⊘
CYLINDRICITY	⊘
PROFILE OF ANY LINE	⊘
PROFILE OF ANY SURFACE	⊘
PARALLELISM	∥
PERPENDICULARITY (SQUARENESS)	⊥
ANGULARITY	∠
RUNOUT	⊘
TRUE POSITION	⊕
CONCENTRICITY	⊕
SYMMETRY	⊕
MAXIMUM MATERIAL CONDITION (MMC)	Ⓜ
REGARDLESS OF FEATURE SIZE	Ⓜ

DFTM.	WDO/PWI	8-8-02
CHKR.		
ENGRG.	T. NEVILLE	5-1-02
MFG.		
APPD.		
DFTG. SUPV.	J. CARNEVALE	

BOMBARDIER	
TITLE GEORGE BUSH INTERCONTINENTAL AIRPORT	
HOUSTON PHASE 2 EXPANSION	
STATION D SECTIONS / DETAILS	
DIMENSIONS IN	DWG. NO.
SIZE D	6D60560
SCALE 1/4"=1'-0" WT.	SHEET 7
REV. 3	

GEORGE BUSH INTERCONTINENTAL AIRPORT PHASE 2 EXTENSION GUIDEWAY PLANS



SEE SHEETS 2 THRU 9 FOR DETAILS

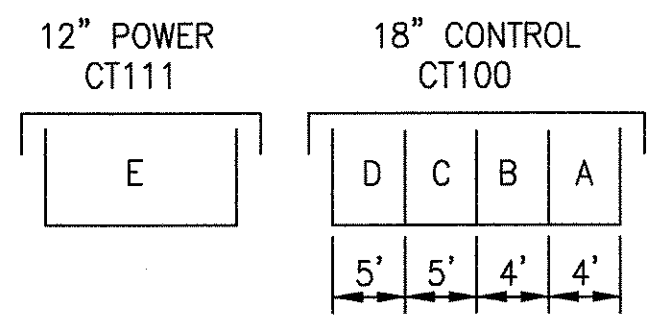
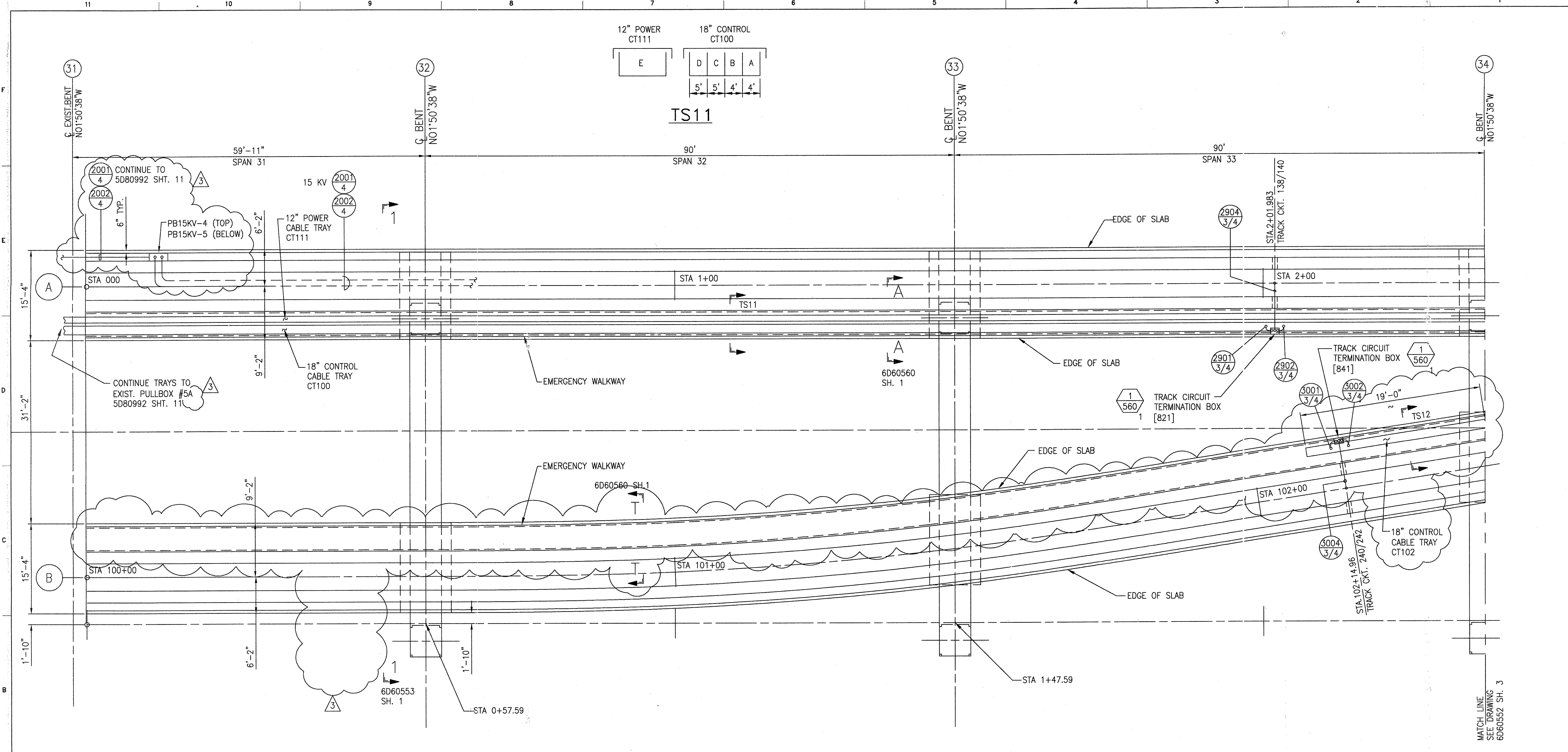
THIS DOCUMENT AND ITS CONTENTS ARE THE PROPERTY OF BOMBARDIER INC. OR ITS SUBSIDIARIES. THIS DOCUMENT CONTAINS CONFIDENTIAL PROPRIETARY INFORMATION. THE REPRODUCTION, DISTRIBUTION, UTILIZATION OR THE COMMUNICATION OF THIS DOCUMENT OR ANY PART THEREOF, WITHOUT EXPRESS AUTHORIZATION IS STRICTLY PROHIBITED. OFFENDERS WILL BE HELD LIABLE FOR THE PAYMENT OF DAMAGES.

1	AutoCAD
2	SIGNATURES ON FILE TCN HOAB-B2065 ECM42824 NO CHANGE SHTS 1-6 SEE SHTS 7, 8 & 9 FOR CHANGES. ISSUE FOR CONSTRUCTION R.D. PELKEY 4/8/03 T. NEVILLE J. CARNEVALE
3	SIGNATURES ON FILE TCN HOAB-B2065 WR 2001346 NO DRAWING CHANGE TO THIS SHEET, FORMAT CHANGE ONLY P. CARSON 7/31/05 A. ROMEO J. CARNEVALE

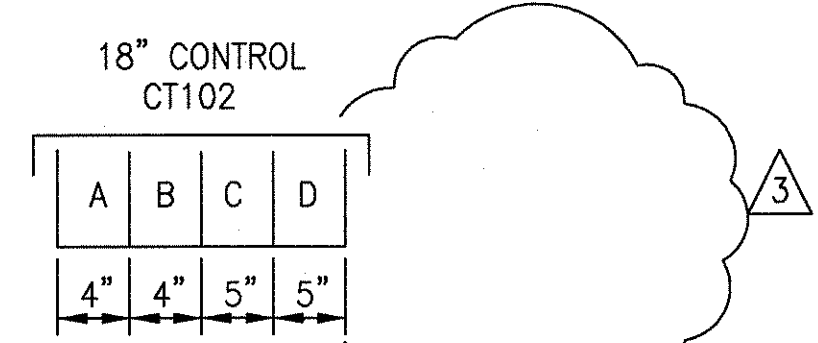
GEOMETRIC CHARACTERISTIC SYMBOLS	
FLATNESS	▭
STRAIGHTNESS	—
ROUNDNESS (CIRCULARITY)	○
CYLINDRICITY	⊘
PROFILE OF ANY LINE	⌒
PROFILE OF ANY SURFACE	⌒
PARALLELISM	∥
PERPENDICULARITY (SQUARENESS)	⊥
ANGULARITY	∠
RUNOUT	⊖
TRUE POSITION	⊕
CONCENTRICITY	⊙
SYMMETRY	⊞
MAXIMUM MATERIAL CONDITION (MMC)	Ⓜ
REGARDLESS OF FEATURE SIZE	Ⓜ

DFTM.	RFE/2WI	DATE	12/19/01
CHKR.			
ENGRG.	T. NEVILLE	11-14-01	
MFG.			
APPD.			
DFTG. SUPV.	J. CARNEVALE		

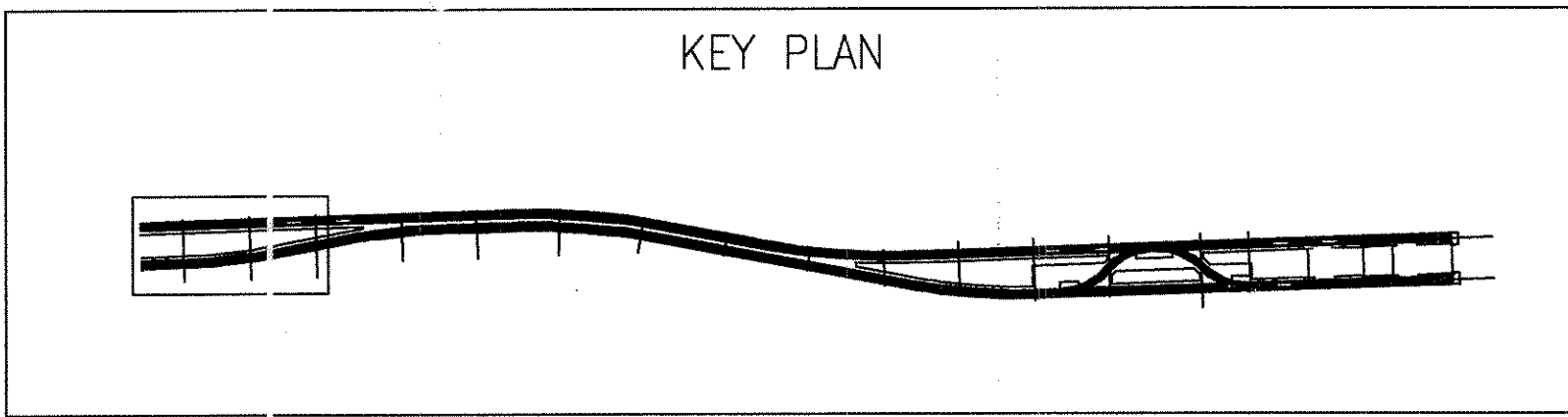
BOMBARDIER		
TITLE GEORGE BUSH INTERCONTINENTAL AIRPORT HOUSTON PHASE 2 EXTENSION GUIDEWAY PLANS		
DIMENSIONS IN FEET	DWG. NO.	REV.
SCALE	6D60552	3
SCALE NONE	WT.	SHEET 1 OF 9



TS11



TS12



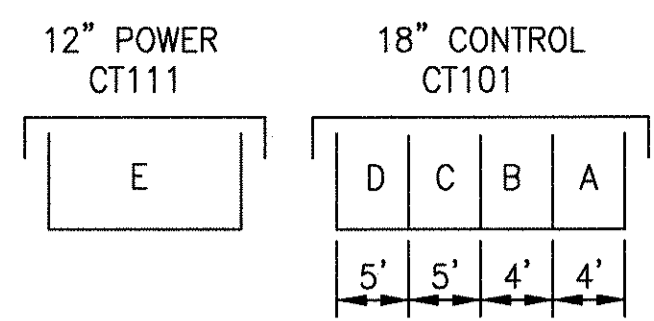
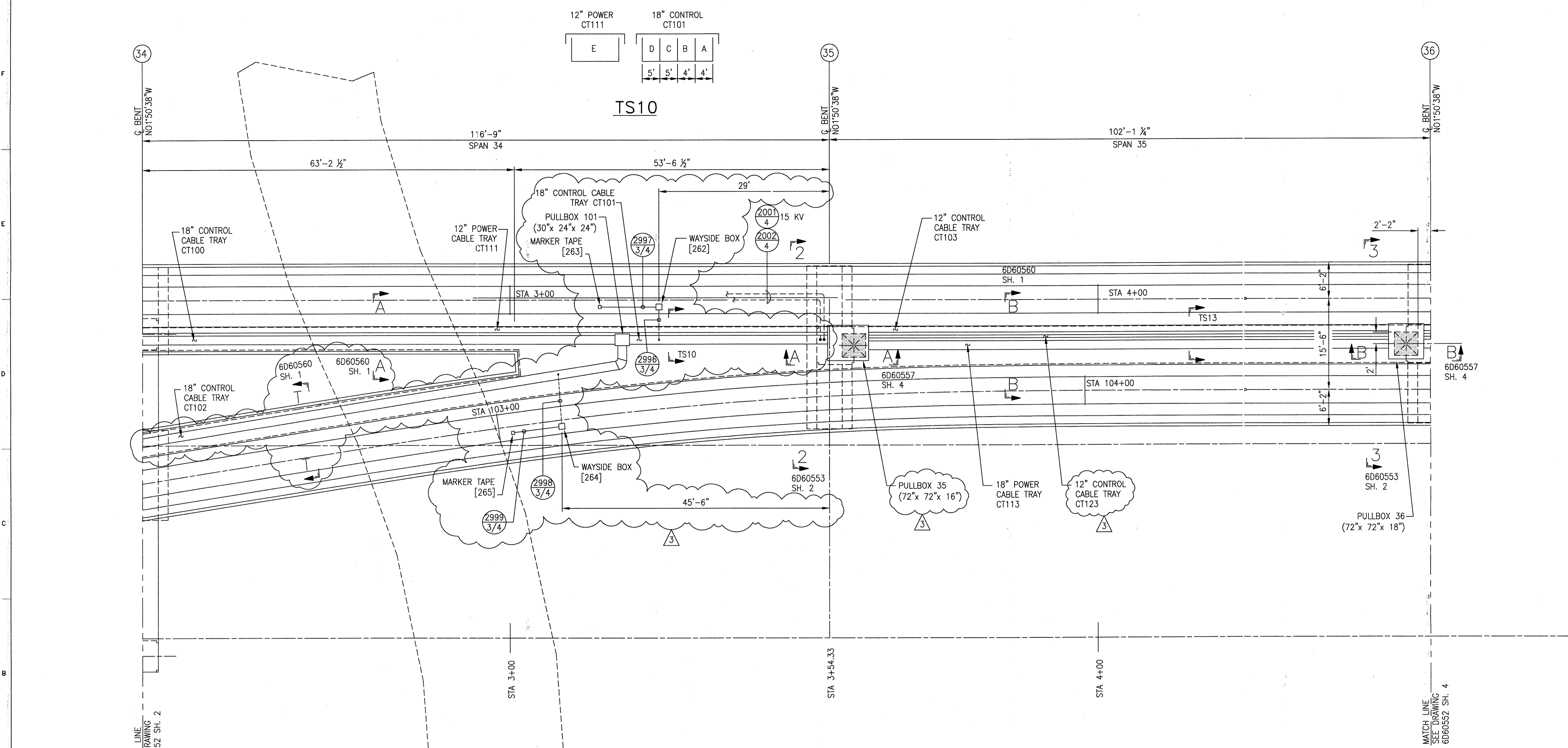
THIS DOCUMENT AND ITS CONTENTS ARE THE PROPERTY OF BOMBARDIER INC. OR ITS SUBSIDIARIES. THIS DOCUMENT CONTAINS CONFIDENTIAL PROPRIETARY INFORMATION. THE REPRODUCTION, DISTRIBUTION, UTILIZATION OR THE COMMUNICATION OF THIS DOCUMENT OR ANY PART THEREOF, WITHOUT EXPRESS AUTHORIZATION IS STRICTLY PROHIBITED. OFFENDERS WILL BE HELD LIABLE FOR THE PAYMENT OF DAMAGES.

AutoCAD	
1 D. IT. CHANGE	2 SIGNATURES ON FILE TCN HOAB-B2065 EQW42824
NO CHANGE THIS SHEET ISSUE FOR CONSTRUCTION R.D. PELKEY 4/8/03 T. NEVILLE J. CARNEVALE	
3 SIGNATURES ON FILE TCN HOAB-B2065 WR 2001346	3 SHEETS 1,2,3,6,7,8 & 9 REVISED PER AS BUILT CONDITIONS P. CARSON 7/31/05 A. ROMEO J. CARNEVALE

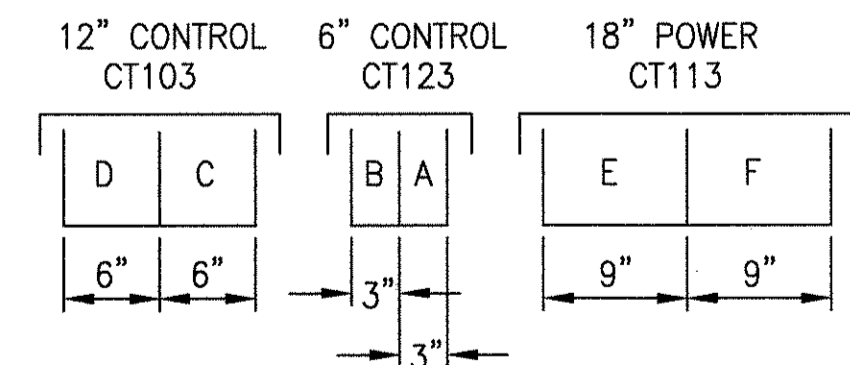
GEOMETRIC CHARACTERISTIC SYMBOLS	
FLATNESS	—
STRAIGHTNESS	—
ROUNDNESS (CIRCULARITY)	○
CYLINDRICITY	○
PROFILE OF ANY LINE	—
PROFILE OF ANY SURFACE	—
PARALLELISM	—
PERPENDICULARITY (SQUARENESS)	—
ANGULARITY	—
RUNOUT	—
TRUE POSITION	—
CONCENTRICITY	—
SYMMETRY	—
MAXIMUM MATERIAL CONDITION (MMC)	—
REGARDLESS OF FEATURE SIZE	—

DFTM. RFE/PWI	DATE 12/19/01
ENGRG. T. NEVILLE	11-14-01
MFG.	
APPD.	
DFTG. SUPV. J. CARNEVALE	458

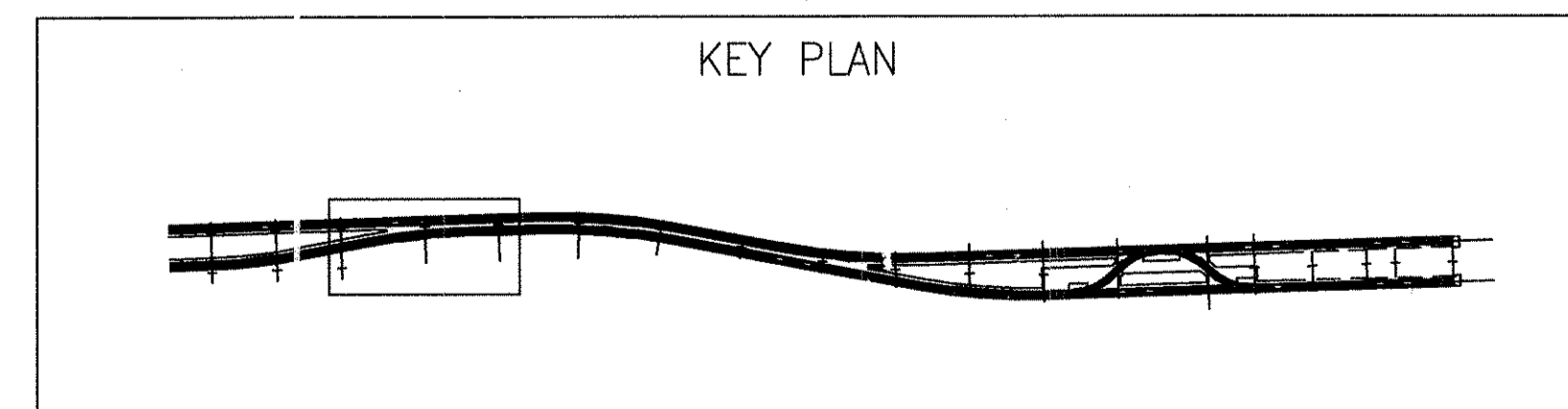
BOMBARDIER	
TITLE GEORGE BUSH INTERCONTINENTAL AIRPORT HOUSTON PHASE 2 EXTENSION	
DIMENSIONS IN GUIDEWAY PLANS	
SIZE D	DWG. NO. 6D60552
SCALE NONE	WT. SHEET 2
REV. 3	



TS10



TS13



THIS DOCUMENT AND ITS CONTENTS ARE THE PROPERTY OF BOMBARDIER INC. OR ITS SUBSIDIARIES. THIS DOCUMENT CONTAINS CONFIDENTIAL PROPRIETARY INFORMATION. THE REPRODUCTION, DISTRIBUTION, UTILIZATION OR THE COMMUNICATION OF THIS DOCUMENT OR ANY PART THEREOF, WITHOUT EXPRESS AUTHORIZATION IS STRICTLY PROHIBITED. OFFENDERS WILL BE HELD LIABLE FOR THE PAYMENT OF DAMAGES.

AutoCAD

1	TCN HOAB-B2065	CHANGE
2	TCN HOAB-B2065	ECN42824
3	TCN HOAB-B2065	WR 2001346

SIGNATURES ON FILE

R.D. PELKEY 4/8/03

T. NEVILLE

J. CARNEVALE

SIGNATURES ON FILE

TCN HOAB-B2065

WR 2001346

SHEETS 1,2,3,6,7,8, & 9

REVISED PER AS BUILT CONDITIONS

P. CARSON 7/31/05

A. ROMEO

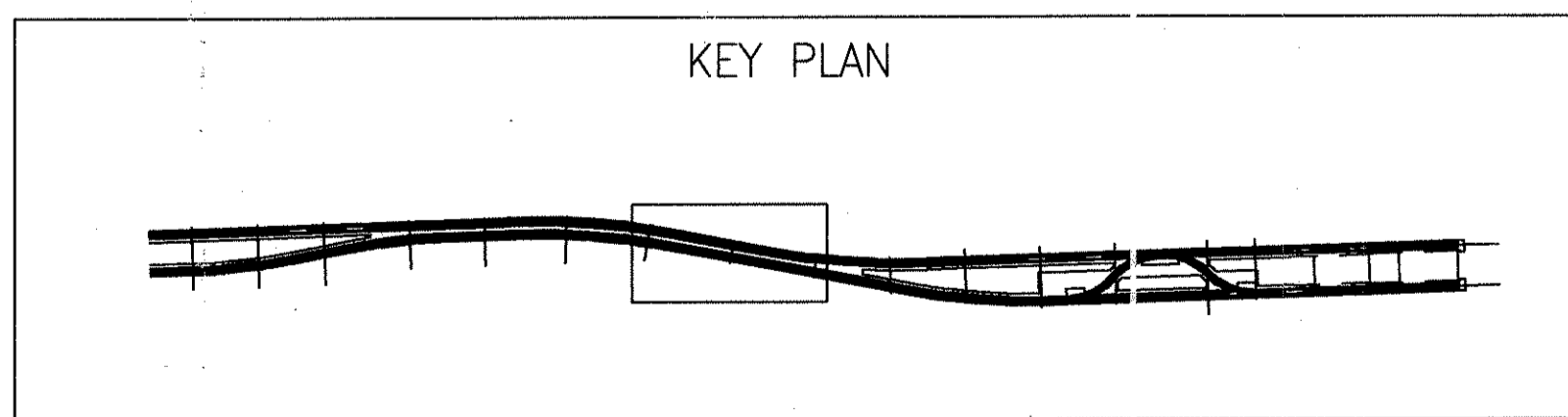
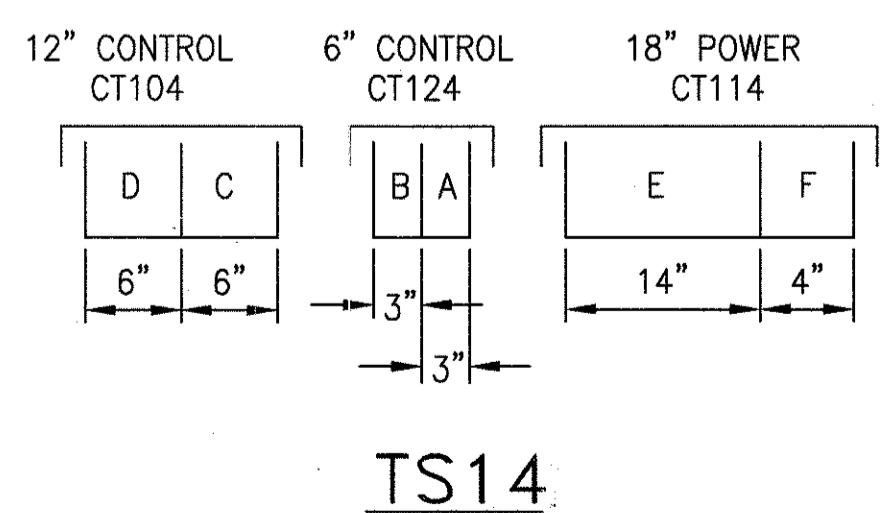
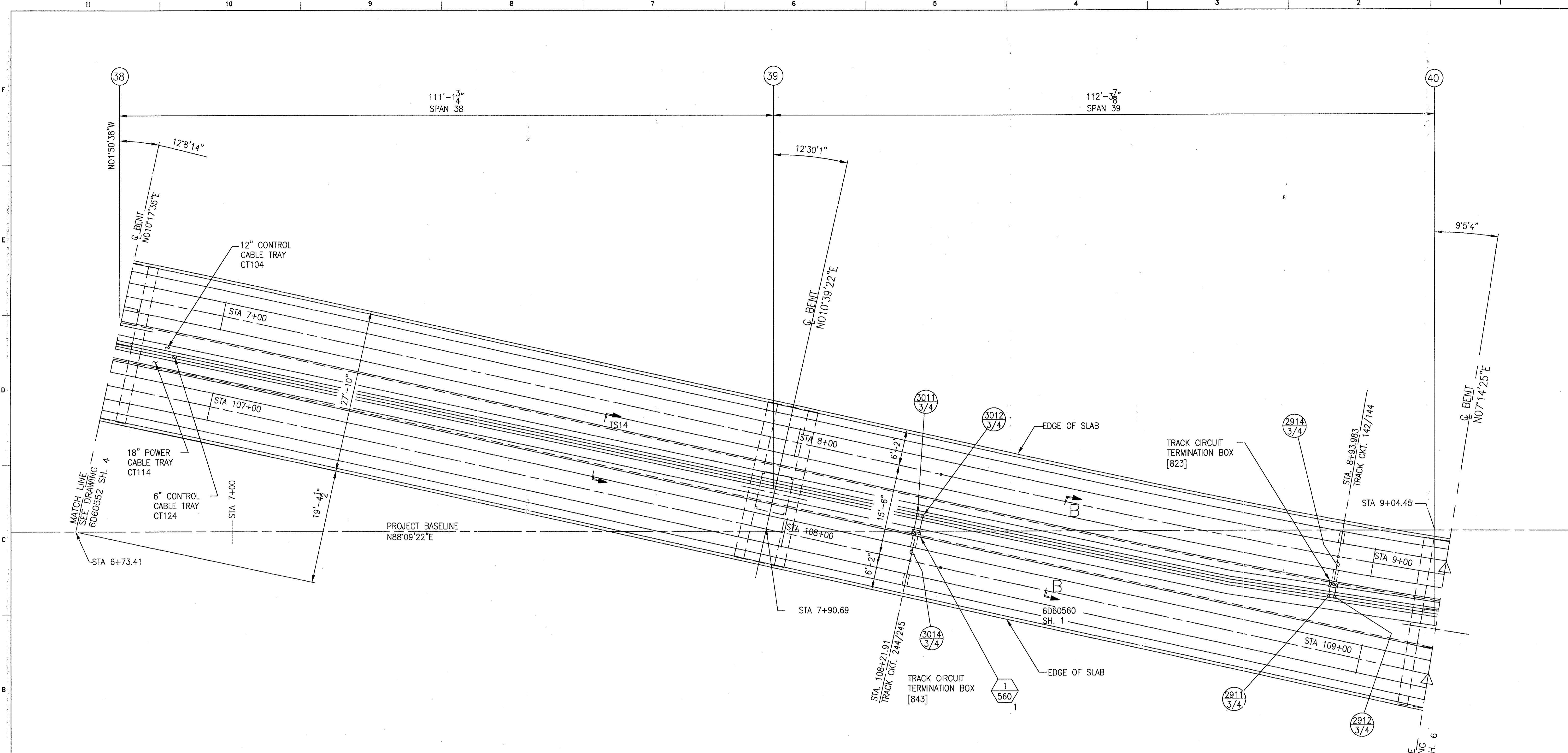
J. CARNEVALE

GEOMETRIC CHARACTERISTIC SYMBOLS

FLATNESS	⏏
STRAIGHTNESS	⏏
ROUNDNESS (CIRCULARITY)	⊘
CYLINDRICITY	⊘
PROFILE OF ANY LINE	⏏
PROFILE OF ANY SURFACE	⏏
PARALLELISM	⏏
PERPENDICULARITY (SQUARENESS)	⏏
ANGULARITY	⏏
RUNOUT	⏏
TRUE POSITION	⏏
CONCENTRICITY	⏏
SYMMETRY	⏏
MAXIMUM MATERIAL CONDITION (MMC)	Ⓜ
REGARDLESS OF FEATURE SIZE	Ⓜ

DFTM.	RFE/PWI	DATE	12/19/01
CHKR.			
ENGRG.	T. NEVILLE	DATE	11-14-01
MFG.			
APPD.			
DFTG. SUPV.	J. CARNEVALE		

BOMBARDIER	
TITLE GEORGE BUSH INTERCONTINENTAL AIRPORT	
HOUSTON PHASE 2 EXTENSION	
DIMENSIONS IN GUIDEWAY PLANS	
SIZE	DWG. NO. 6D60552
SCALE NONE	WT.
SHEET 3	REV. 3



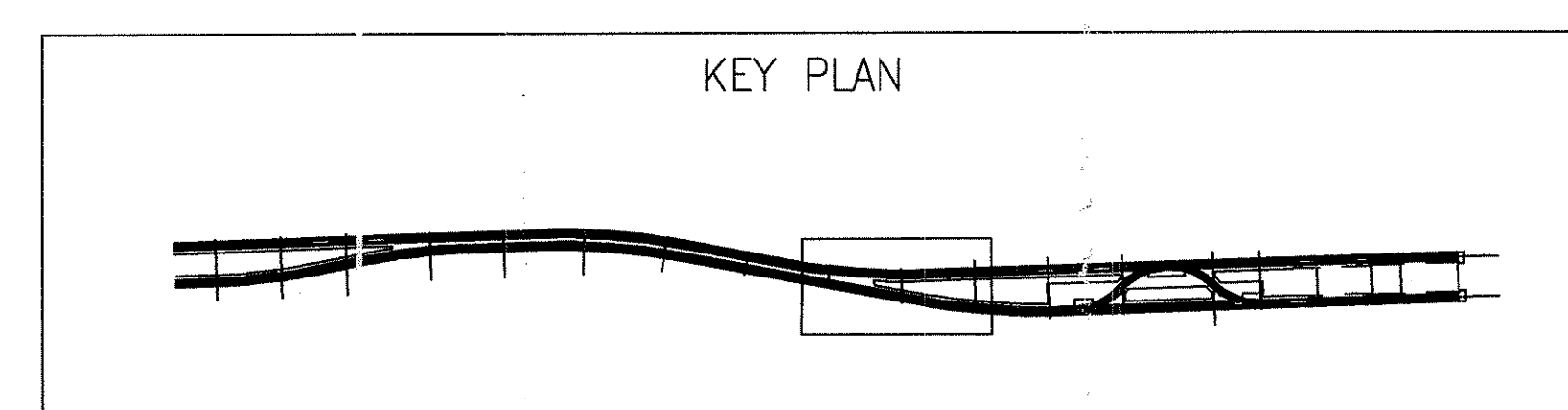
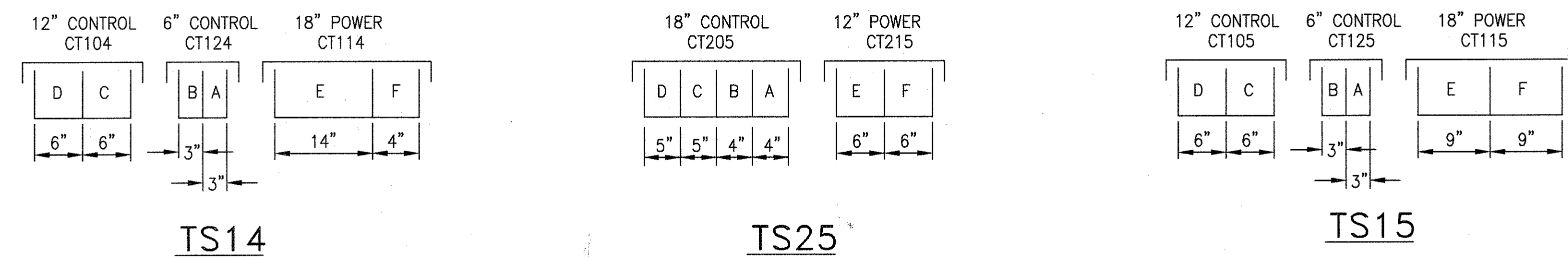
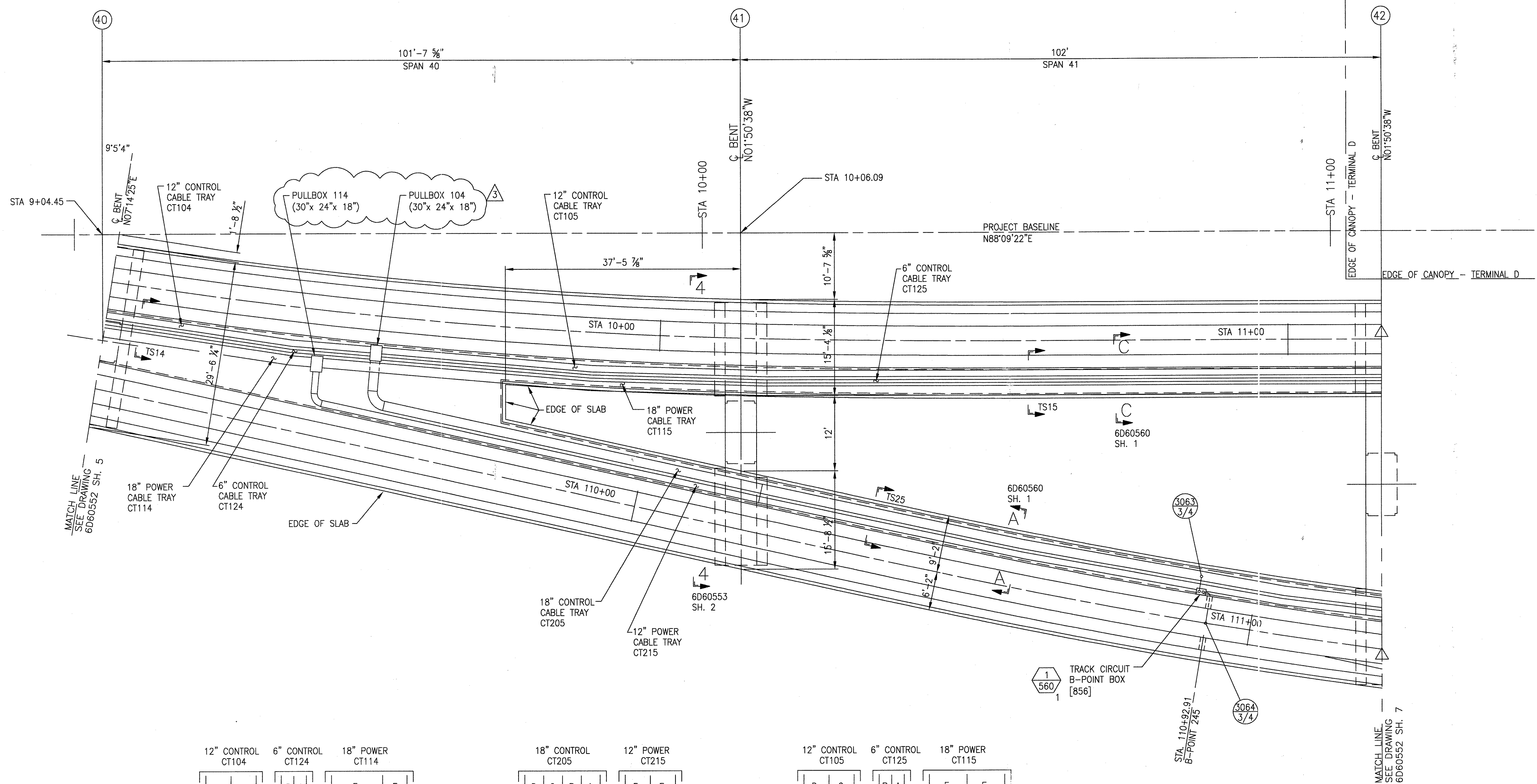
THIS DOCUMENT AND ITS CONTENTS ARE THE PROPERTY OF BOMBARDIER INC. OR ITS SUBSIDIARIES. THIS DOCUMENT CONTAINS CONFIDENTIAL PROPRIETARY INFORMATION. THE REPRODUCTION, DISTRIBUTION, UTILIZATION OR THE COMMUNICATION OF THIS DOCUMENT OR ANY PART THEREOF, WITHOUT EXPRESS AUTHORIZATION IS STRICTLY PROHIBITED. OFFENDERS WILL BE HELD LIABLE FOR THE PAYMENT OF DAMAGES.

1	TCN HOAB-B2065	CHANGE
2	TCN HOAB-B2065 EON42824	SIGNATURES ON FILE
3	TCN HOAB-B2065 WR 2001346	SIGNATURES ON FILE
NO DRAWING CHANGE TO THIS SHEET, FORMAT CHANGE ONLY		
P. CARSON 7/31/05		
A. ROMEO		
J. CARNEVALE		

GEOMETRIC CHARACTERISTIC SYMBOLS	
FLATNESS	—
STRAIGHTNESS	—
ROUNDNESS (CIRCULARITY)	○
CYLINDRICITY	○
PROFILE OF ANY LINE	—
PROFILE OF ANY SURFACE	—
PARALLELISM	—
PERPENDICULARITY (SQUARENESS)	—
ANGULARITY	—
RUNOUT	—
TRUE POSITION	—
CONCENTRICITY	—
SYMMETRY	—
MAXIMUM MATERIAL CONDITION (MMC)	—
REGARDLESS OF FEATURE SIZE	—

DFTM.	RFE/PWI	DATE	12/20/01
CHKR.			
ENGRG.	T. NEVILLE	11-14-01	
MFG.			
APPD.			
DFTG. SUPV.	J. CARNEVALE		

BOMBARDIER		
TITLE		
GEORGE BUSH INTERCONTINENTAL AIRPORT		
HOUSTON PHASE 2 EXTENSION		
DIMENSIONS IN FEET		
SCALE	NONE	WT.
SIZE	D	DWG. NO.
		6D60552
		REV.
		3
		SHEET
		5



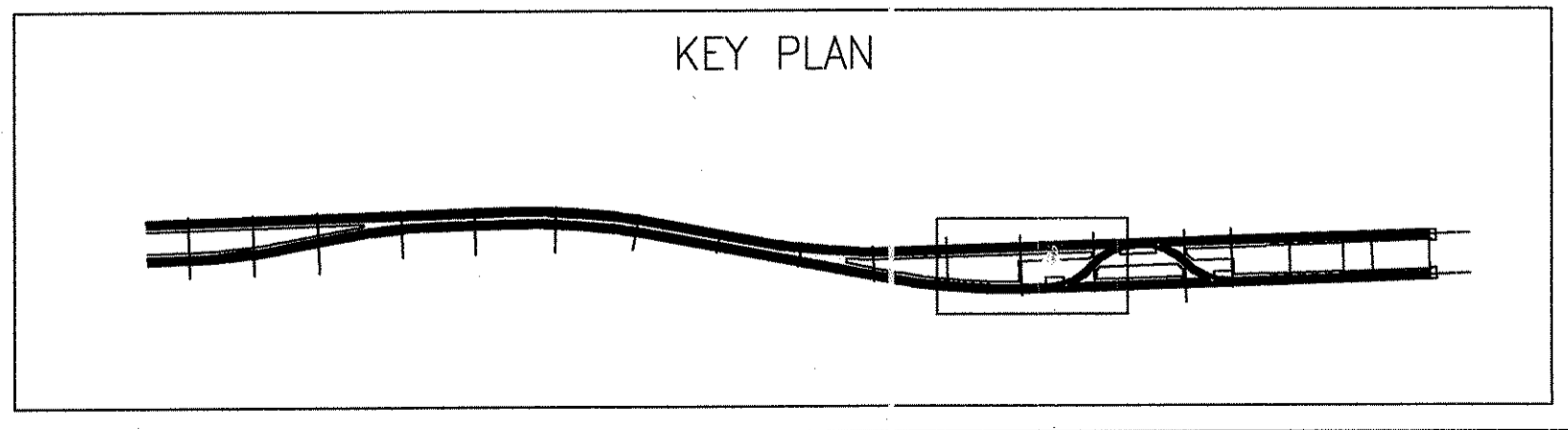
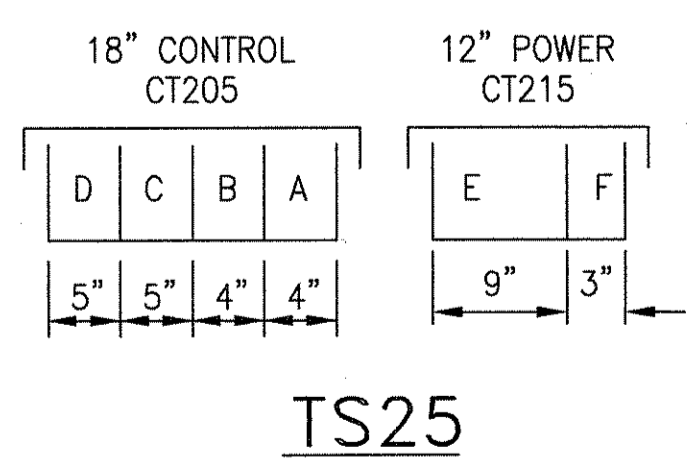
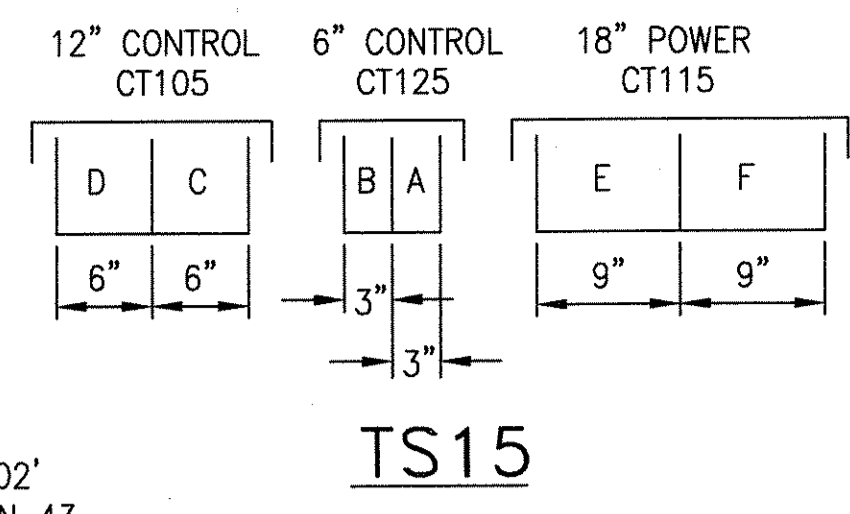
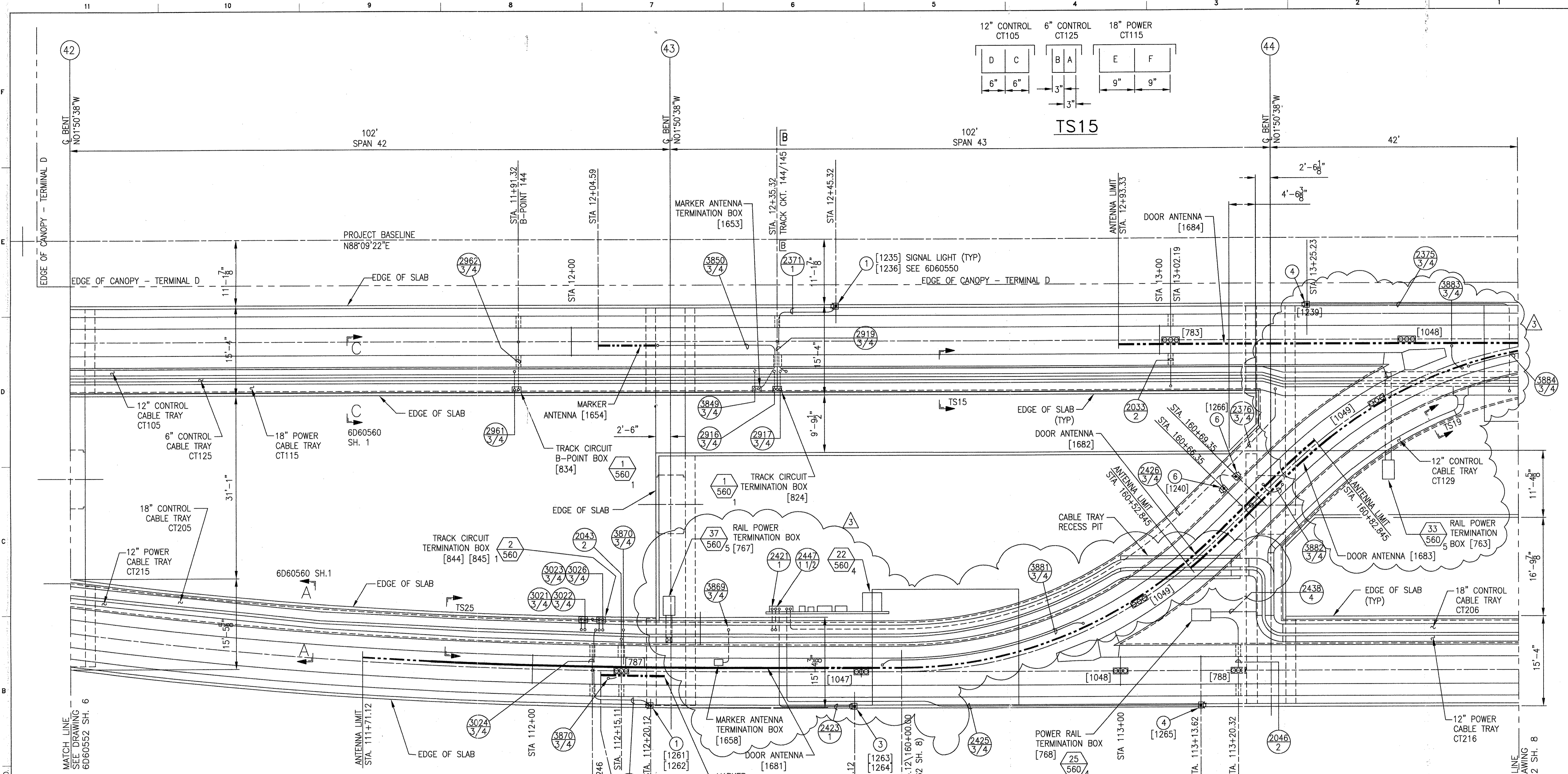
THIS DOCUMENT AND ITS CONTENTS ARE THE PROPERTY OF BOMBARDIER INC. OR ITS SUBSIDIARIES. THIS DOCUMENT CONTAINS CONFIDENTIAL PROPRIETARY INFORMATION. THE REPRODUCTION, DISTRIBUTION, UTILIZATION OR THE COMMUNICATION OF THIS DOCUMENT OR ANY PART THEREOF, WITHOUT EXPRESS AUTHORIZATION IS STRICTLY PROHIBITED. OFFENDERS WILL BE HELD LIABLE FOR THE PAYMENT OF DAMAGES.

TCN HOAB-B2065 D. 7DS873-A CHANGE	1	SIGNATURES ON FILE	2	SIGNATURES ON FILE	3
(R)		TCN HOAB-B2065 WR 2001346		TCN HOAB-B2065 WR 2001346	
		SHEETS 1,2,3,6,7,8 & 9 REVISED PER AS BUILT CONDITIONS		P. CARSON 7/31/05 A. ROMEO	
		NO CHANGE THIS SHEET ISSUE FOR CONSTRUCTION		J. CARNEVALE	
		R.D. PELKEY 4/8/03 T. NEVILLE J. CARNEVALE			

GEOMETRIC CHARACTERISTIC SYMBOLS	
FLATNESS	□
STRAIGHTNESS	—
ROUNDNESS (CIRCULARITY)	○
CYLINDRICITY	○
PROFILE OF ANY LINE	—
PROFILE OF ANY SURFACE	—
PARALLELISM	
PERPENDICULARITY (SQUARENESS)	⊥
ANGULARITY	∠
RUNOUT	—
TRUE POSITION	—
CONCENTRICITY	—
SYMMETRY	—
MAXIMUM MATERIAL CONDITION (MMC)	Ⓜ
REGARDLESS OF FEATURE SIZE	Ⓜ

DFTM. RFE/3WI	DATE 12-20-01
ENGRG. T. NEVILLE	11-14-01
MFG.	
APPD. J. CARNEVALE	
DFTG. JUPV.	

BOMBARDIER	
TITLE GEORGE BUSH INTERCONTINENTAL AIRPORT HOUSTON PHASE 2 EXTENSION	
DIMENSIONS IN FEET GUIDEWAY PLANS	
SIZE D	DWG. NO. 6D60552
SCALE NONE	WT.
SHEET 6	REV. 3



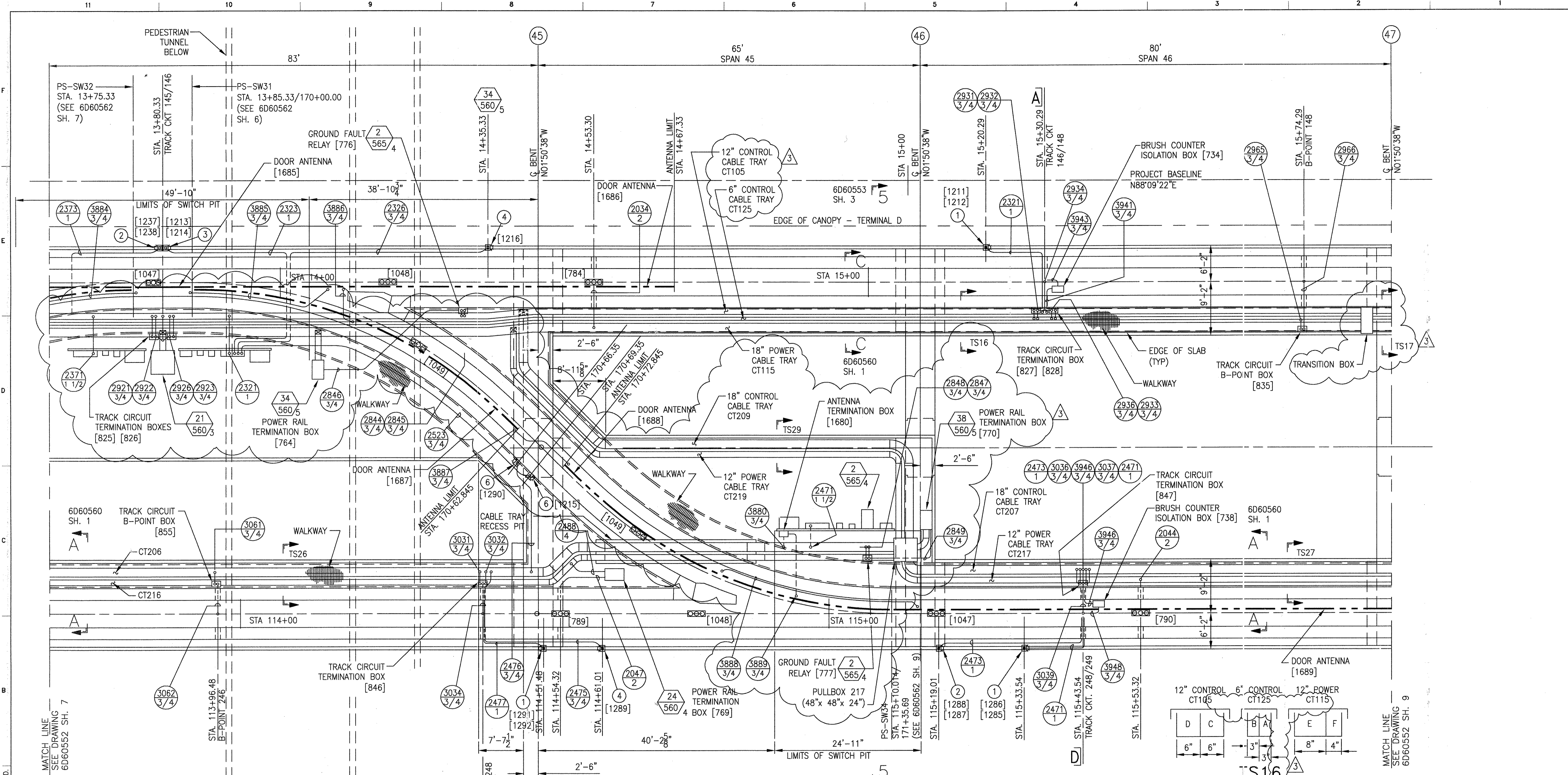
THIS DOCUMENT AND ITS CONTENTS ARE THE PROPERTY OF BOMBARDIER INC. OR ITS SUBSIDIARIES. THIS DOCUMENT CONTAINS CONFIDENTIAL PROPRIETARY INFORMATION. THE REPRODUCTION, DISTRIBUTION, UTILIZATION OR THE COMMUNICATION OF THIS DOCUMENT OR ANY PART THEREOF, WITHOUT EXPRESS AUTHORIZATION IS STRICTLY PROHIBITED. OFFENDERS WILL BE HELD LIABLE FOR THE PAYMENT OF DAMAGES.

1	CHANGES	7DS873-A
SIGNATURES ON FILE		
2	TCN HOAB-B2065	ECN42824
REVISE TS25 & TS26		
ADD DETAIL 22		
ISSUE FOR CONSTRUCTION		
R.D. PELKEY 4/8/03		
T. NEVILLE		
J. CARNEVALE		
SIGNATURES ON FILE		
3	TCN HOAB-B2065	WR 2001346
SHEETS 1,2,3,6,7,8 & 9		
REVISED PER AS BUILT		
CONDITIONS		
P. CARSON 7/31/05		
A. ROMEO		
J. CARNEVALE		

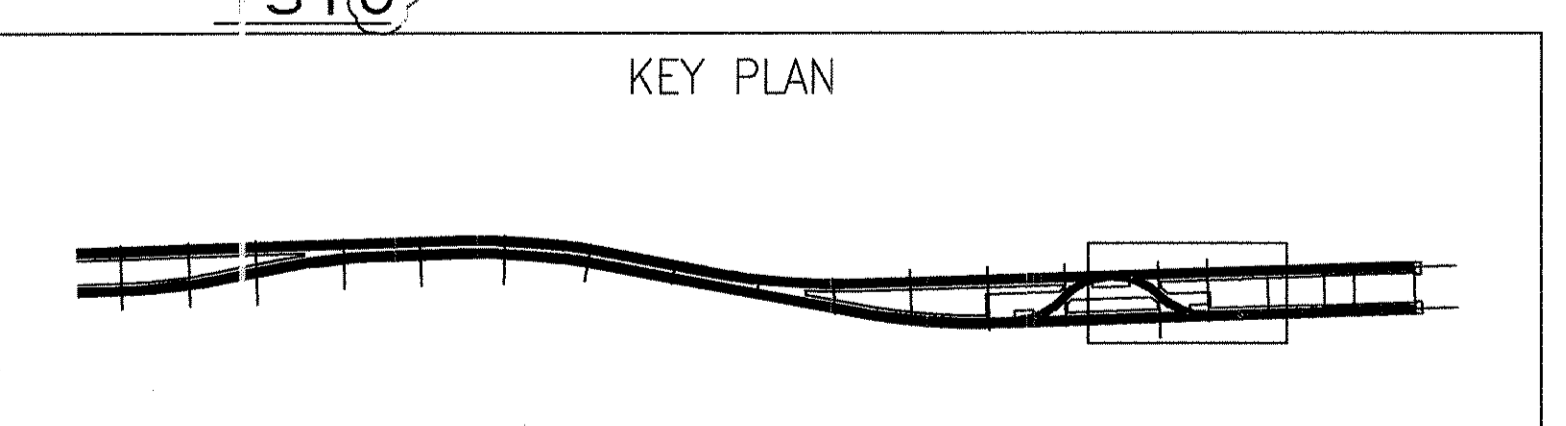
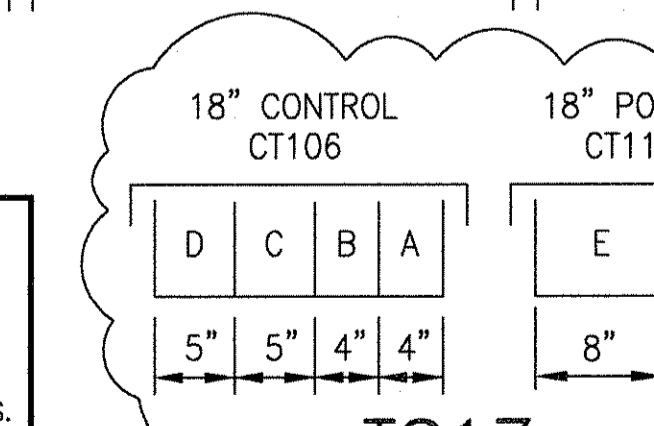
GEOMETRIC CHARACTERISTIC SYMBOLS	
FLATNESS	<input type="checkbox"/>
STRAIGHTNESS	<input type="checkbox"/>
ROUNDNESS (CIRCULARITY)	<input type="checkbox"/>
CYLINDRICITY	<input type="checkbox"/>
PROFILE OF ANY LINE	<input type="checkbox"/>
PROFILE OF ANY SURFACE	<input type="checkbox"/>
PARALLELISM	<input type="checkbox"/>
PERPENDICULARITY (SQUARENESS)	<input type="checkbox"/>
ANGULARITY	<input type="checkbox"/>
RUNOUT	<input type="checkbox"/>
TRUE POSITION	<input type="checkbox"/>
CONCENTRICITY	<input type="checkbox"/>
SYMMETRY	<input type="checkbox"/>
MAXIMUM MATERIAL CONDITION (MMC)	<input type="checkbox"/>
REGARDLESS OF FEATURE SIZE	<input type="checkbox"/>

DFTM.	RFE/PWI	DATE
CHKR.		12-20-01
ENGRG.	T. NEVILLE	11-14-01
MFG.		
APPD.		
DFTG. \$UPV.	J. CARNEVALE	

BOMBARDIER	
TITLE GEORGE BUSH INTERCONTINENTAL AIRPORT	
HOUSTON PHASE 2 EXTENSION	
DIMENSIONS IN FEET GUIDEWAY PLANS	
SIZE	DWG. NO. 6D60552
SCALE 1/8"=1'-0"	REV. 3
SHEET 7	



THIS DOCUMENT AND ITS CONTENTS ARE THE PROPERTY OF BOMBARDIER INC. OR ITS SUBSIDIARIES. THIS DOCUMENT CONTAINS CONFIDENTIAL PROPRIETARY INFORMATION. THE REPRODUCTION, DISTRIBUTION, UTILIZATION OR THE COMMUNICATION OF THIS DOCUMENT OR ANY PART THEREOF, WITHOUT EXPRESS AUTHORIZATION IS STRICTLY PROHIBITED. OFFENDERS WILL BE HELD LIABLE FOR THE PAYMENT OF DAMAGES.



1	CHANGES	1	SIGNATURES ON FILE
1	705873-A	2	TCN HOAB-B2065 ECM42824
		2	REVISE TS16 & TS27 ADD DETAIL 21 & 23 REMOVED GATE LIGHTS-SW-34 ISSUE FOR CONSTRUCTION
			R.D. PELKEY 4/8/03 T. NEVILLE J. CARNEVALE
		3	SIGNATURES ON FILE
		3	TCN HOAB-B2065 WR 2001346
			SHEETS 1,2,3,6,7 & 8 REVISED PER AS BUILT CONDITIONS
			P. CARSON 7/31/05 A. ROMEO J. CARNEVALE

18" CONTROL CT106	18" POWER CT116
D C B A	E F
5" 5" 4" 4"	8" 4"

TS17

18" CONTROL CT206	12" POWER CT216
D C B A	E F
5" 5" 4" 4"	6" 6"

TS26

18" CONTROL CT209	12" POWER CT219
D C	E
9" 9"	12"

TS29

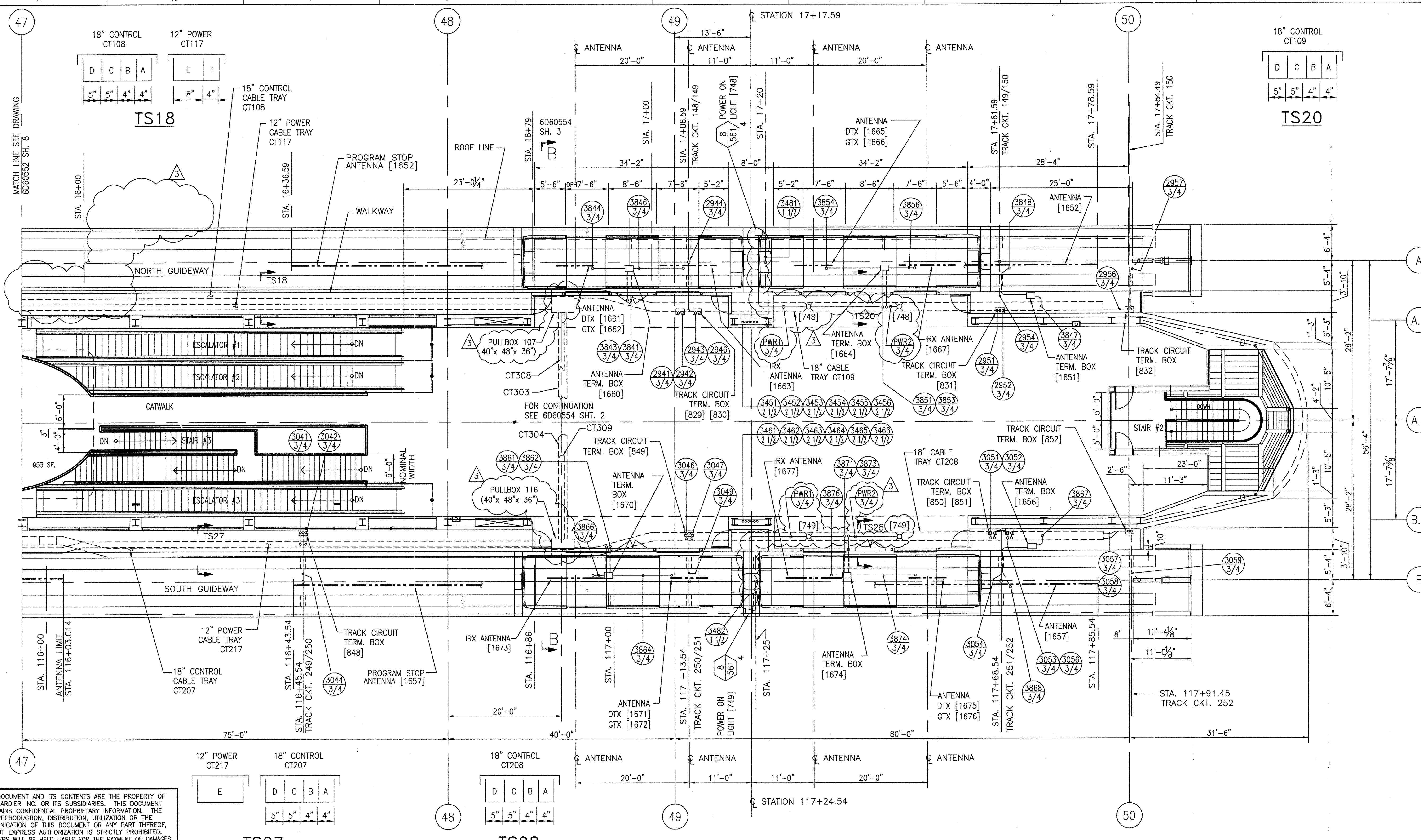
18" CONTROL CT207	12" POWER CT217
D C B A	E F
5" 5" 4" 4"	9" 3"

TS27

GEOMETRIC CHARACTERISTIC SYMBOLS	
FLATNESS	—
STRAIGHTNESS	—
ROUNDNESS (CIRCULARITY)	—
CYLINDRICITY	—
PROFILE OF ANY LINE	—
PROFILE OF ANY SURFACE	—
PARALLELISM	—
PERPENDICULARITY (SQUARENESS)	—
ANGULARITY	—
RUNOUT	—
TRUE POSITION	—
CONCENTRICITY	—
SYMMETRY	—
MAXIMUM MATERIAL CONDITION (MMC)	—
REGARDLESS OF FEATURE SIZE	—

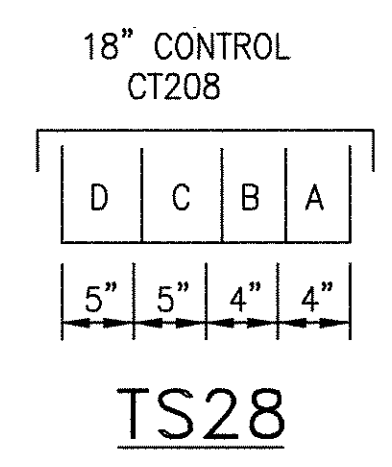
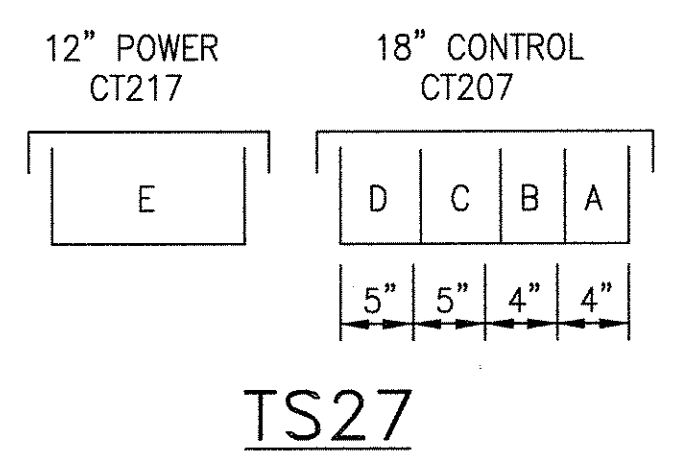
DFTM.	RFE/PIWI	DATE	12-20-01
ENGRG.	T. NEVILLE	11-14-01	
MFG.			
APPD.			
DFTG. SUPV.	J. CARNEVALE		

BOMBARDIER	
TITLE GEORGE BUSH INTERCONTINENTAL AIRPORT HOUSTON PHASE 2 EXTENSION	
DIMENSIONS IN FEET GUIDEWAY PLANS	
SIZE	DWG. NO. 6D60552
SCALE 1/8"=1'-0" WT.	REV. 3
SHEET 8	



THIS DOCUMENT AND ITS CONTENTS ARE THE PROPERTY OF BOMBARDIER INC. OR ITS SUBSIDIARIES. THIS DOCUMENT CONTAINS CONFIDENTIAL PROPRIETARY INFORMATION. THE REPRODUCTION, DISTRIBUTION, UTILIZATION OR THE COMMUNICATION OF THIS DOCUMENT OR ANY PART THEREOF, WITHOUT EXPRESS AUTHORIZATION IS STRICTLY PROHIBITED. OFFENDERS WILL BE HELD LIABLE FOR THE PAYMENT OF DAMAGES.

1	TCN HOAB-B2065 D. 7DS873-A CHANGE
2	SIGNATURES ON FILE TCN HOAB-B2065 ECN4/2824
3	SIGNATURES ON FILE TCN HOAB-B2065 WR 2001/346 SHEETS 1,2,3,6,7,8 & 9 REVISED PER AS BUILT CONDITIONS P. CARSON 7/31/05 A. ROMEO J. CARNEVALE



GEOMETRIC CHARACTERISTIC SYMBOLS	
[Symbol]	FLATNESS
[Symbol]	STRAIGHTNESS
[Symbol]	ROUNDNESS (CIRCULARITY)
[Symbol]	CYLINDRICITY
[Symbol]	PROFILE OF ANY LINE
[Symbol]	PROFILE OF ANY SURFACE
[Symbol]	PARALLELISM
[Symbol]	PERPENDICULARITY (SQUARENESS)
[Symbol]	ANGULARITY
[Symbol]	RUNOUT
[Symbol]	TRUE POSITION
[Symbol]	CONCENTRICITY
[Symbol]	SYMMETRY
[Symbol]	MAXIMUM MATERIAL CONDITION (MMC)
[Symbol]	REGARDLESS OF FEATURE SIZE

DFTM.	WDO/PWI	12-24-01
CHKR.		
ENGRG.	T. NEVILLE	11-28-01
MFG.		
APPD.	J. CARNEVALE	
DFTG. SUPV.	J. CARNEVALE	

BOMBARDIER	
TITLE GEORGE BUSH INTERCONTINENTAL AIRPORT HOUSTON PHASE 2 EXTENSION	
DIMENSIONS IN	
SIZE	D
SCALE	1/8" = 1'-0"
DWG. NO.	6D60552
REV.	3
SHEET	9

SH	LATEST REV									
	1	2	3	4	5	6	7	8	9	10
1	X	X	X							
2	X	X	X							
3	X	X	X							
4	X	X	X							
5	X	X	X							
6	X	X	X							
7	X	X	X							
8	X	X	X							
9	X	X	X							
10	X	X	X							
11	X	X	X							
12	X	X	X							
13	X	X	X							
14	X	X	X							
15	X	X	X							

SH	LATEST REV									
	1	2	3	4	5	6	7	8	9	10

SH	LATEST REV									
	1	2	3	4	5	6	7	8	9	10

SH	LATEST REV									
	1	2	3	4	5	6	7	8	9	10

SH	LATEST REV									
	1	2	3	4	5	6	7	8	9	10

THIS DOCUMENT AND ITS CONTENTS ARE THE PROPERTY OF BOMBARDIER INC. OR ITS SUBSIDIARIES. THIS DOCUMENT CONTAINS CONFIDENTIAL PROPRIETARY INFORMATION. THE REPRODUCTION, DISTRIBUTION, UTILIZATION OR THE COMMUNICATION OF THIS DOCUMENT OR ANY PART THEREOF, WITHOUT EXPRESS AUTHORIZATION IS STRICTLY PROHIBITED. OFFENDERS WILL BE HELD LIABLE FOR THE PAYMENT OF DAMAGES.

AutoCAD

1
TCN HOAB-B2065
D. 7DS873-A
CHANGE
IT.

(R)

SIGNATURES ON FILE

2
TCN HOAB-B2065
ECN42824
NO CHANGE THIS SHEET
ISSUE FOR CONSTRUCTION
R.D. PELKEY 4/8/03
T. NEVILLE
J. CARNEVALE

(R)

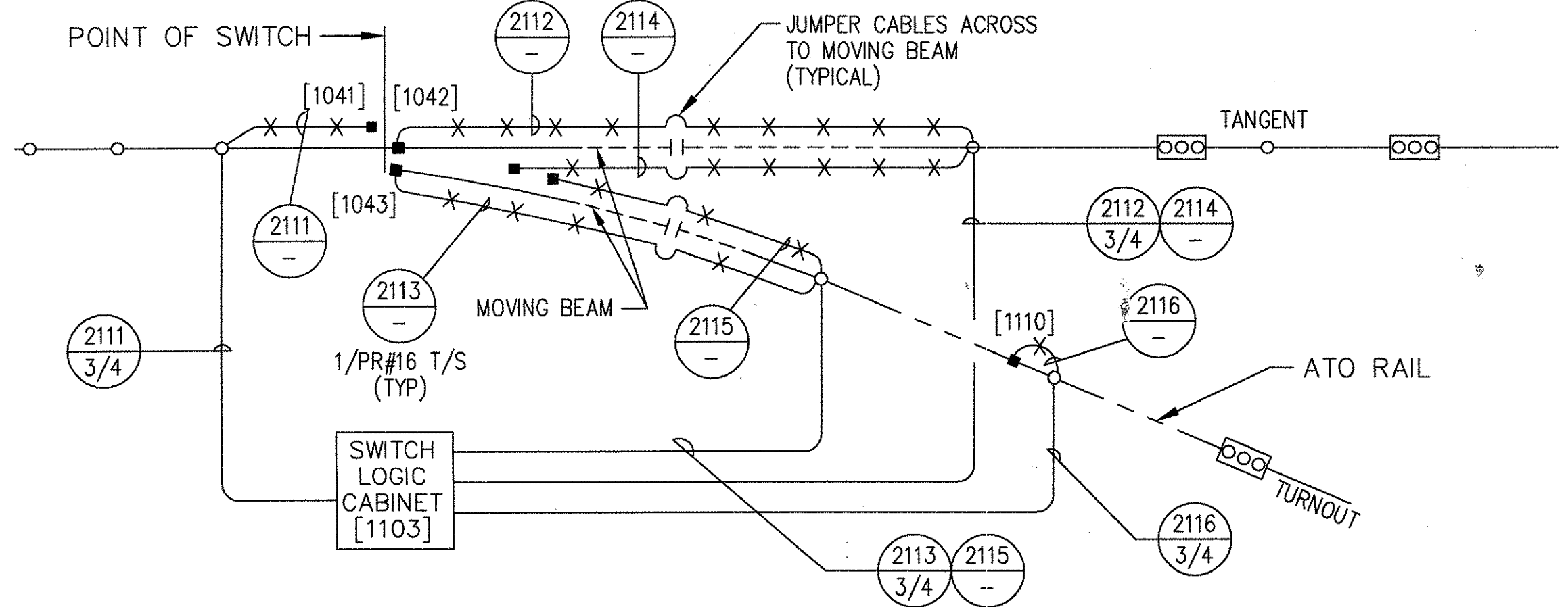
SIGNATURES ON FILE

3
TCN HOAB-B2065
WR 2001346
SHEETS 1,2,3,4,5,6,7,8,9,
10,11,13,14 & 15
REVISED PER AS BUILT
CONDITIONS.
BASELINED ALL SHEETS
PER FORMAT CHANGE
P. CARSON 7/31/05
A. ROMEO
J. CARNEVALE

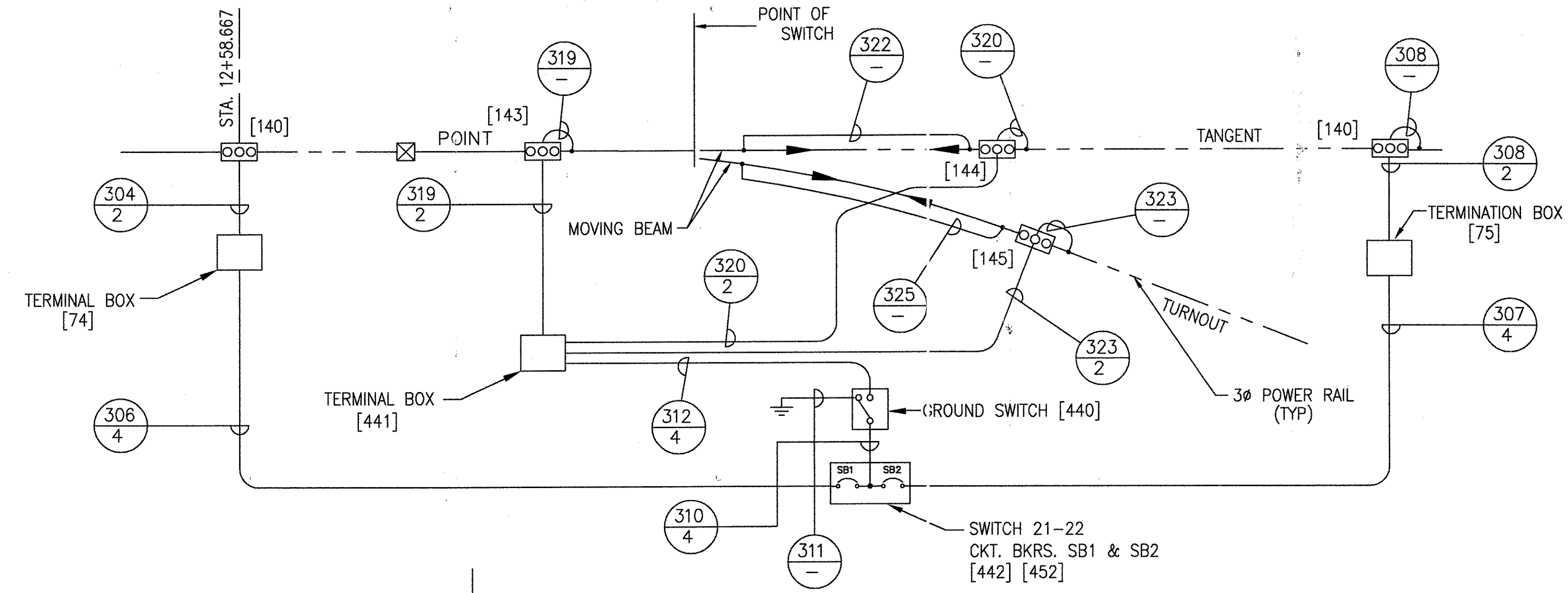
GEOMETRIC CHARACTERISTIC SYMBOLS	
FLATNESS	▮
STRAIGHTNESS	—
ROUNDNESS (CIRCULARITY)	○
CYLINDRICITY	⊘
PROFILE OF ANY LINE	—
PROFILE OF ANY SURFACE	—
PARALLELISM	∥
PERPENDICULARITY (SQUARENESS)	⊥
ANGULARITY	∠
RUNOUT	⊘
TRUE POSITION	⊕
CONCENTRICITY	⊙
SYMMETRY	⊞
MAXIMUM MATERIAL CONDITION (MMC)	Ⓜ
REGARDLESS OF FEATURE SIZE	Ⓛ

DFTM. WDO/PWI	12-20-01	DATE
ENGRG. T. NEVILLE	11-30-01	DATE
MFG.		
APPD.		
DFTG. SUPV. J. C. ARNEVALE		

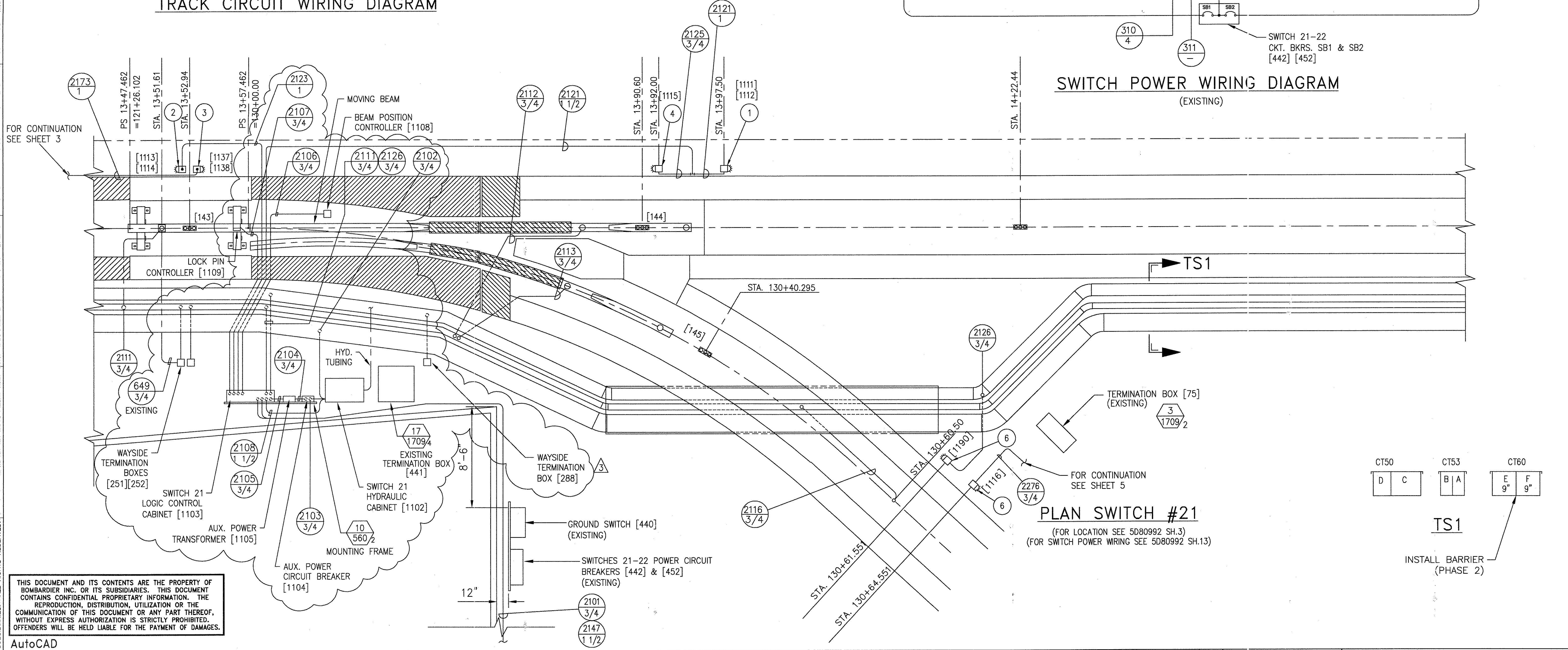
BOMBARDIER		
TITLE GEORGE BUSH INTERCONTINENTAL AIRPORT HOUSTON PHASE 2 EXTENSION		
DIMENSIONS IN INCHES		
SIZE D	DWG. NO. 6D60562	REV. 3
SCALE NONE	WT.	SHEET 1 OF 15



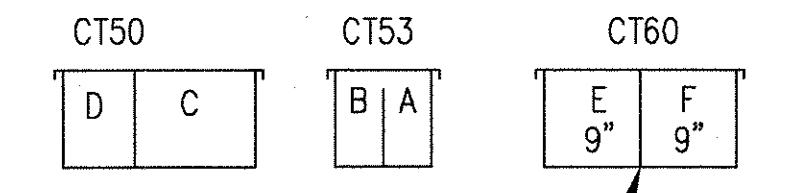
TRACK CIRCUIT WIRING DIAGRAM



SWITCH POWER WIRING DIAGRAM (EXISTING)



PLAN SWITCH #21
(FOR LOCATION SEE 5D80992 SH.3)
(FOR SWITCH POWER WIRING SEE 5D80992 SH.13)



INSTALL BARRIER (PHASE 2)

THIS DOCUMENT AND ITS CONTENTS ARE THE PROPERTY OF BOMBARDIER INC. OR ITS SUBSIDIARIES. THIS DOCUMENT CONTAINS CONFIDENTIAL PROPRIETARY INFORMATION. THE REPRODUCTION, DISTRIBUTION, UTILIZATION OR THE COMMUNICATION OF THIS DOCUMENT OR ANY PART THEREOF, WITHOUT EXPRESS AUTHORIZATION IS STRICTLY PROHIBITED. OFFENDERS WILL BE HELD LIABLE FOR THE PAYMENT OF DAMAGES.

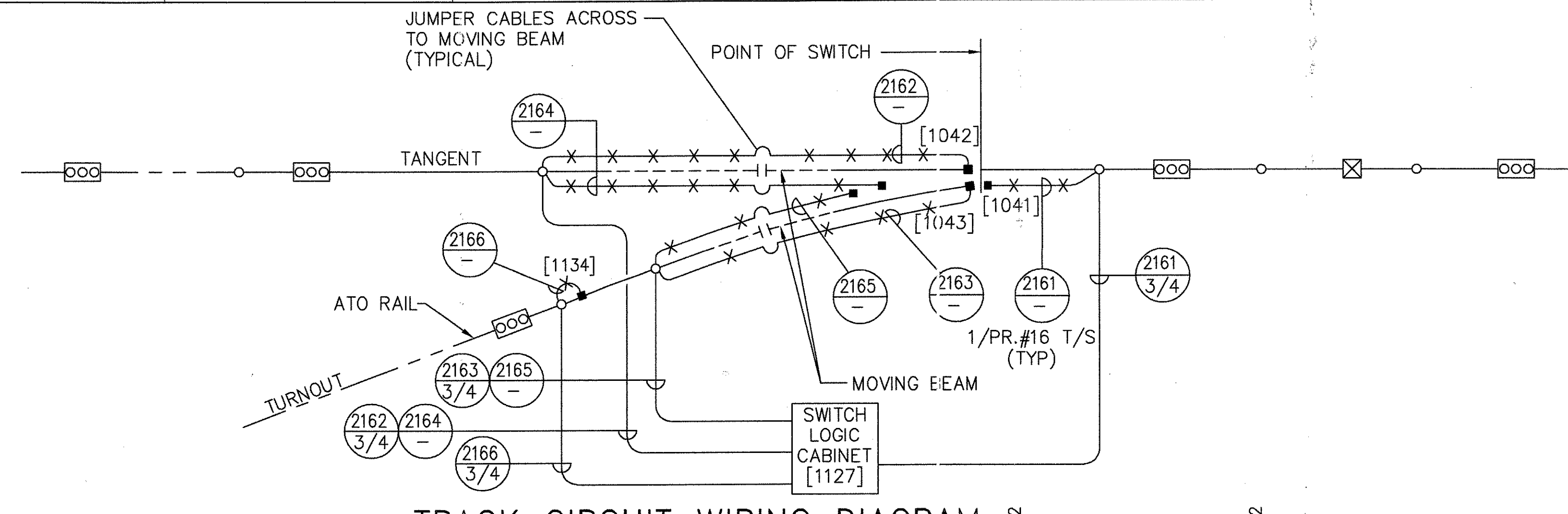
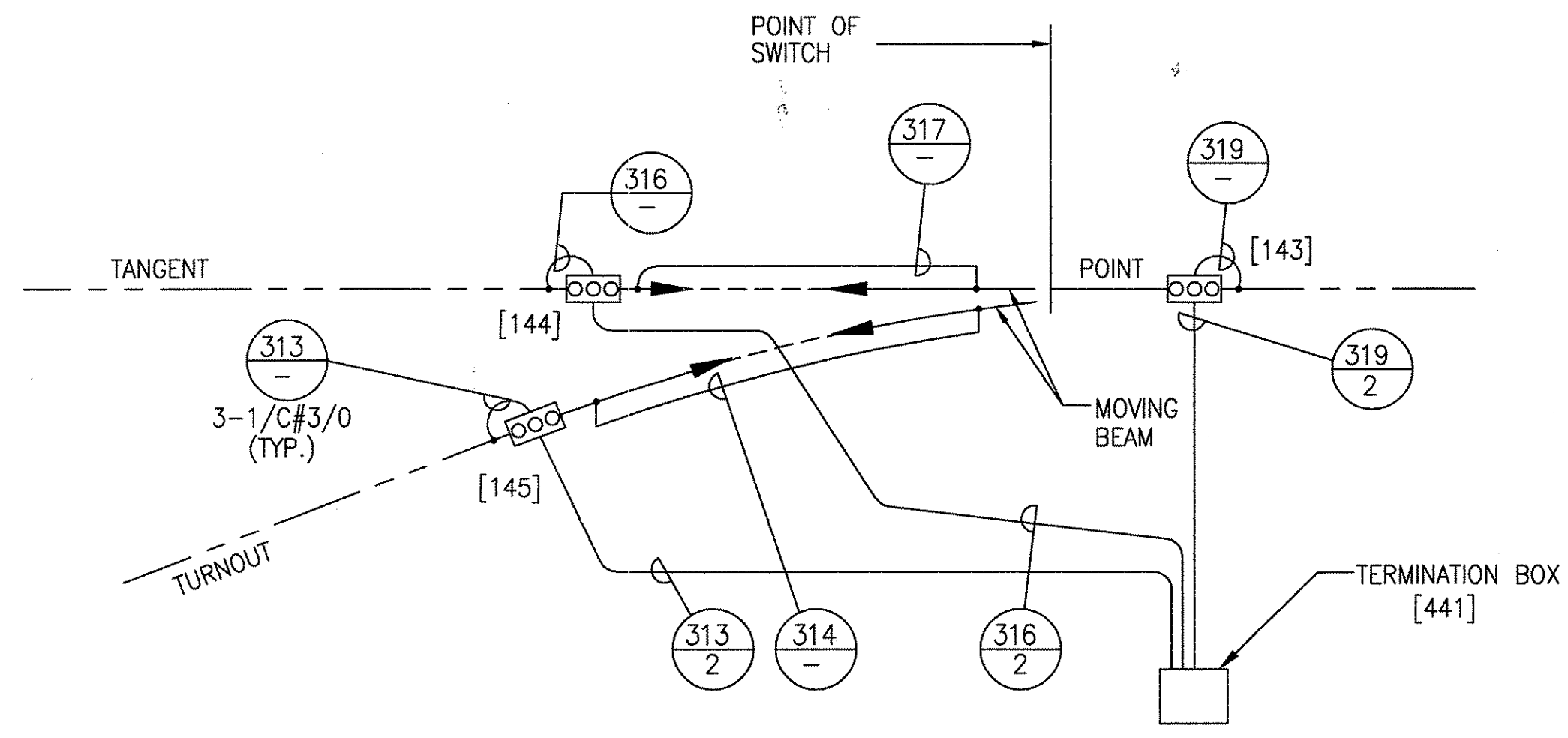
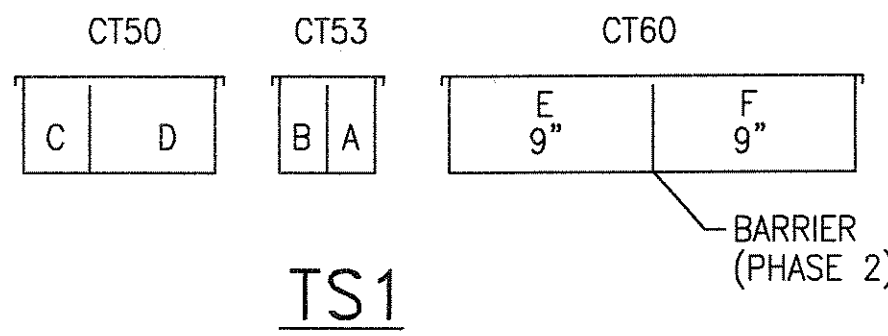
1	CHANGES	1	SIGNATURES ON FILE
2	7/25/03	2	T. NEVILLE
3	7/31/05	3	J. CARNEVALE

AutoCAD
 TON HOAB-B2065
 WR 2001346
 SHEETS 1,2,3,4,6,7,8,9, 10,11,13,14 & 15
 REVISED PER AS BUILT CONDITIONS
 P. CARSON 7/31/05
 A. ROMEO
 J. CARNEVALE

GEOMETRIC CHARACTERISTIC SYMBOLS	DFTM. DATE
FLATNESS	WDO/PWI 12-20-01
STRAIGHTNESS	CHKR.
ROUNDNESS (CIRCULARITY)	ENGRG. T. NEVILLE 11-30-01
CYLINDRICITY	MFG.
PROFILE OF ANY LINE	APPD.
PROFILE OF ANY SURFACE	DFTG. SUPV. J. CARNEVALE
PARALLELISM	
PERPENDICULARITY (SQUARENESS)	
ANGULARITY	
RUNOUT	
TRUE POSITION	
CONCENTRICITY	
SYMMETRY	
MAXIMUM MATERIAL CONDITION (MMC)	
REGARDLESS OF FEATURE SIZE	

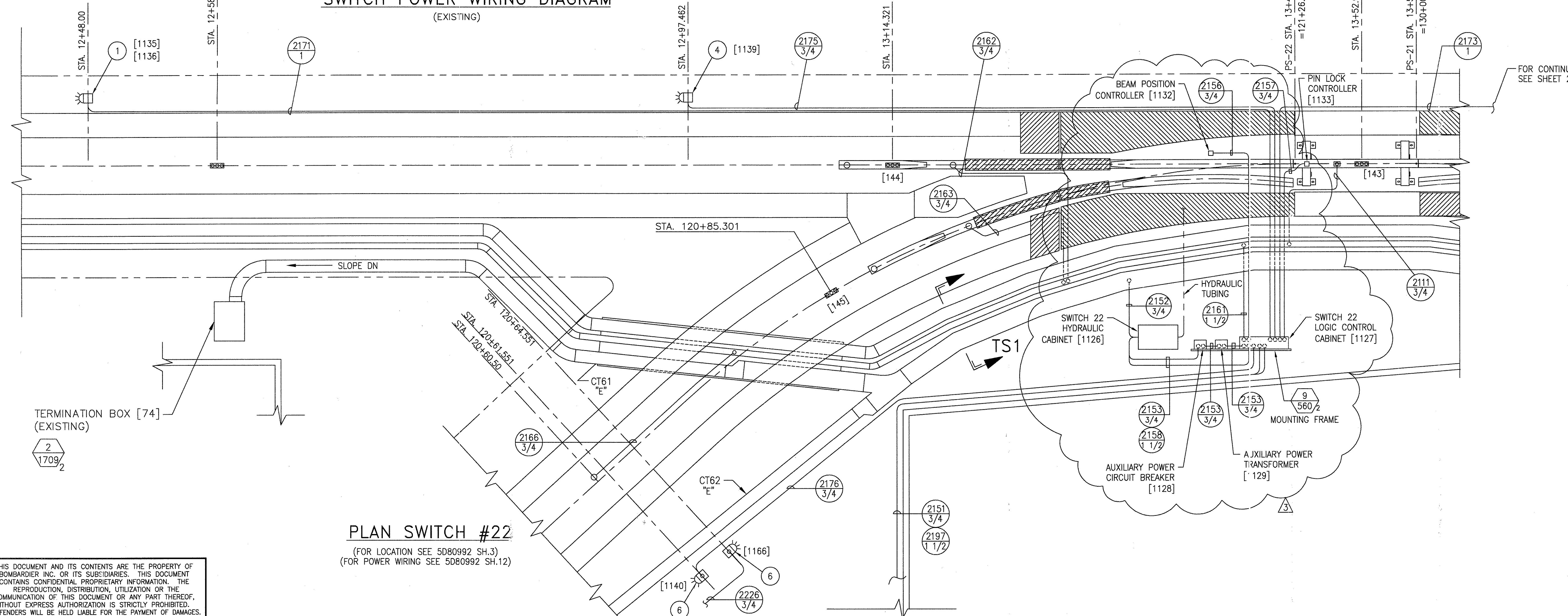
TITLE	GEORGE BUSH INTERCONTINENTAL AIRPORT
HOUSTON PHASE 2 EXTENSION	
DIMENSIONS IN INCHES	SWITCH #21
SIZE D	DWG. NO. 6D60562
SCALE 1/4"=1'-0" WT.	SHEET 2

BOMBARDIER	
TITLE GEORGE BUSH INTERCONTINENTAL AIRPORT	
HOUSTON PHASE 2 EXTENSION	
DIMENSIONS IN INCHES SWITCH #21	
SIZE D	DWG. NO. 6D60562
SCALE 1/4"=1'-0" WT.	SHEET 2
REV. 3	



SWITCH POWER WIRING DIAGRAM
(EXISTING)

TRACK CIRCUIT WIRING DIAGRAM



PLAN SWITCH #22
(FOR LOCATION SEE 5D80992 SH.3)
(FOR POWER WIRING SEE 5D80992 SH.12)

THIS DOCUMENT AND ITS CONTENTS ARE THE PROPERTY OF BOMBARDIER INC. OR ITS SUBSIDIARIES. THIS DOCUMENT CONTAINS CONFIDENTIAL PROPRIETARY INFORMATION. THE REPRODUCTION, DISTRIBUTION, UTILIZATION OR THE COMMUNICATION OF THIS DOCUMENT OR ANY PART THEREOF, WITHOUT EXPRESS AUTHORIZATION IS STRICTLY PROHIBITED. OFFENDERS WILL BE HELD LIABLE FOR THE PAYMENT OF DAMAGES.

1	AutoCAD	
2	SIGNATURES ON FILE TCN HOAB-B2065 ECN42824	
3	SIGNATURES ON FILE TCN HOAB-B2065 WR 2001346 SHEETS 1,2,3,4,5,6,7,8,9, 10,11,13,14 & 15 REVISED PER AS BUILT CONDITIONS P. CARSON 7/31/05 A. ROMEO J. CARNEVALE	

GEOMETRIC CHARACTERISTIC SYMBOLS	
FLATNESS	—
STRAIGHTNESS	—
ROUNDNESS (CIRCULARITY)	○
CYLINDRICITY	○
PROFILE OF ANY LINE	—
PROFILE OF ANY SURFACE	—
PARALLELISM	—
PERPENDICULARITY (SQUARENESS)	—
ANGULARITY	—
RUNOUT	—
TRUE POSITION	—
CONCENTRICITY	—
SYMMETRY	—
MAXIMUM MATERIAL CONDITION (MMC)	—
REGARDLESS OF FEATURE SIZE	—

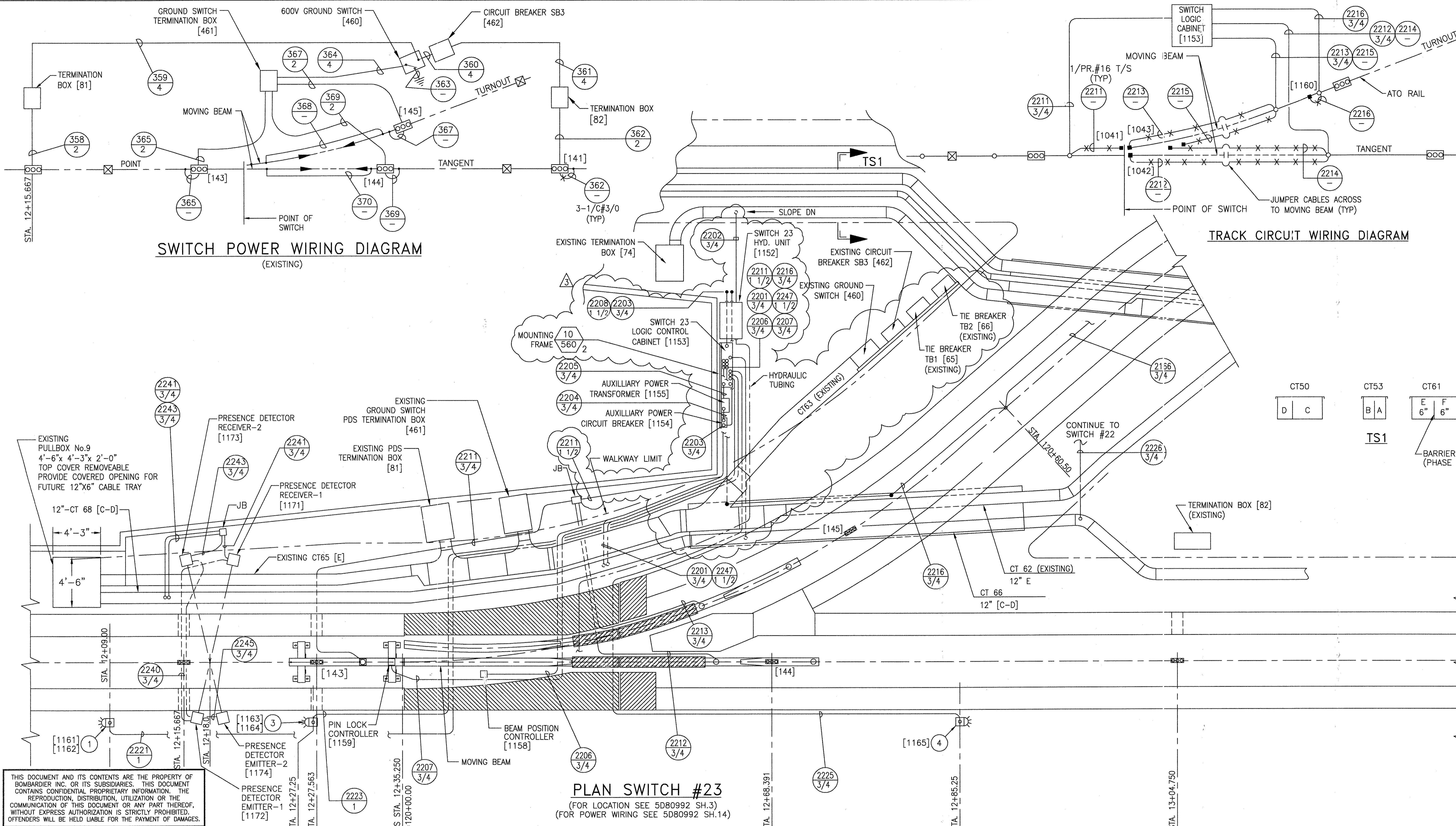
DFTM.	WDO/PWI	12-20-01
CHKR.		
ENGRG.	T. NEVILLE	11-30-01
MFG.		
APPD.		
DFTG. SUPV.	J. CARNEVALE	

BOMBARDIER	
TITLE GEORGE BUSH INTERCONTINENTAL AIRPORT HOUSTON PHASE 2 EXTENSION	
DIMENSIONS IN INCHES SWITCH #22	
SIZE D	DWG. NO. 6D60562
SCALE 1/4"=1'-0" WT.	REV. 3
SHEET 3	

SWITCH POWER WIRING DIAGRAM
(EXISTING)

TRACK CIRCUIT WIRING DIAGRAM

PLAN SWITCH #23
(FOR LOCATION SEE 5D80992 SH.3)
(FOR POWER WIRING SEE 5D80992 SH.14)



THIS DOCUMENT AND ITS CONTENTS ARE THE PROPERTY OF BOMBARDIER INC. OR ITS SUBSIDIARIES. THIS DOCUMENT CONTAINS CONFIDENTIAL PROPRIETARY INFORMATION. THE REPRODUCTION, DISTRIBUTION, UTILIZATION OR THE COMMUNICATION OF THIS DOCUMENT OR ANY PART THEREOF, WITHOUT EXPRESS AUTHORIZATION IS STRICTLY PROHIBITED. OFFENDERS WILL BE HELD LIABLE FOR THE PAYMENT OF DAMAGES.

AutoCAD	1	CHANGES
SIGNATURES ON FILE	2	NO CHANGE THIS SHEET
SIGNATURES ON FILE	3	ISSUE FOR CONSTRUCTION

TCN HOAB-B2065
D. 7DS873-A

TCN HOAB-B2065
ECM42824

R.D. PELKEY 4/8/03
T. NEVILLE
J. CARNEVALE

TCN HOAB-B2065
WR 2001346

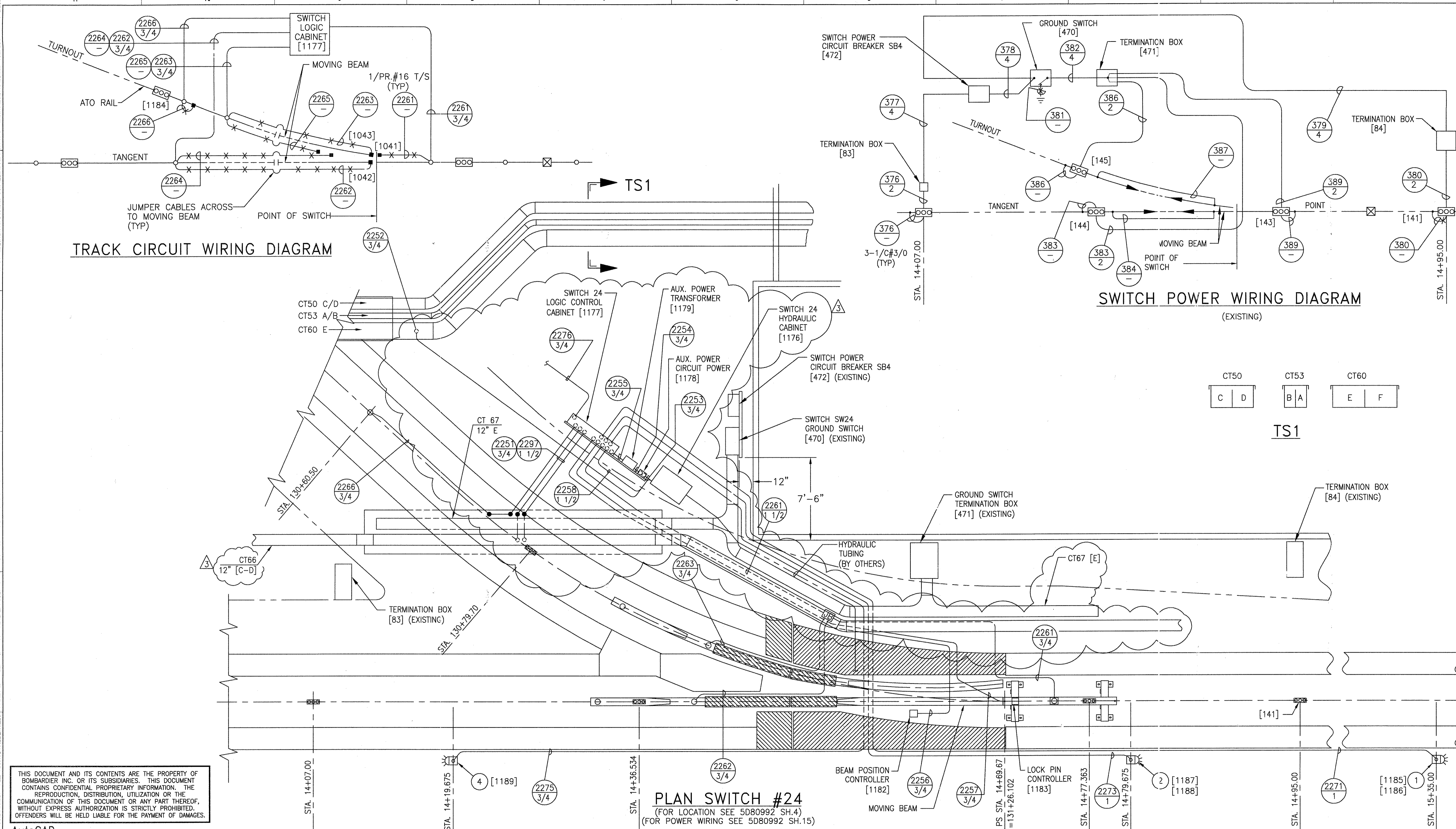
SHEETS 1,3,4,6,7,8,9,11,
13,14 & 15
REVISED PER AS BUILT
CONDITIONS

P. CARSON 7/31/05
A. ROMEO
J. CARNEVALE

GEOMETRIC CHARACTERISTIC SYMBOLS	
FLATNESS	\square
STRAIGHTNESS	—
ROUNDNESS (CIRCULARITY)	\bigcirc
CYLINDRICITY	—
PROFILE OF ANY LINE	—
PROFILE OF ANY SURFACE	—
PARALLELISM	\parallel
PERPENDICULARITY (SQUARENESS)	\perp
ANGULARITY	\angle
RUNOUT	—
TRUE POSITION	\oplus
CONCENTRICITY	\odot
SYMMETRY	—
MAXIMUM MATERIAL CONDITION (MMC)	—
REGARDLESS OF FEATURE SIZE	—

DFTM.	WDO/PWI	DATE	12-20-01
ENGRG.	T. NEVILLE	DATE	11-30-01
MFG.			
APPD.			
DFTG. SUPV.	J. CARNEVALE		

BOMBARDIER	
TITLE GEORGE BUSH INTERCONTINENTAL AIRPORT HOUSTON PHASE 2 EXTENSION	
DIMENSIONS IN INCHES SWITCH #23	
SIZE D	DWG. NO. 6D60562
SCALE 1/4"=1'-0" WT.	REV. 3
SHEET 4	



THIS DOCUMENT AND ITS CONTENTS ARE THE PROPERTY OF BOMBARDIER INC. OR ITS SUBSIDIARIES. THIS DOCUMENT CONTAINS CONFIDENTIAL PROPRIETARY INFORMATION. THE REPRODUCTION, DISTRIBUTION, UTILIZATION OR THE COMMUNICATION OF THIS DOCUMENT OR ANY PART THEREOF, WITHOUT EXPRESS AUTHORIZATION IS STRICTLY PROHIBITED. OFFENDERS WILL BE HELD LIABLE FOR THE PAYMENT OF DAMAGES.

PLAN SWITCH #24
 (FOR LOCATION SEE 5D80992 SH.4)
 (FOR POWER WIRING SEE 5D80992 SH.15)

1	CHANGE	
2	SIGNATURES ON FILE	
3	SIGNATURES ON FILE	

TCN HOAB-B2065
 D. 7DS873-A

TCN HOAB-B2065
 WR 2001346

TCN HOAB-B2065
 WR 2001346

SHEETS 1,2,3,4,5,6,7,8,9,10,11,13,14 & 15
 REVISED PER AS BUILT CONDITIONS

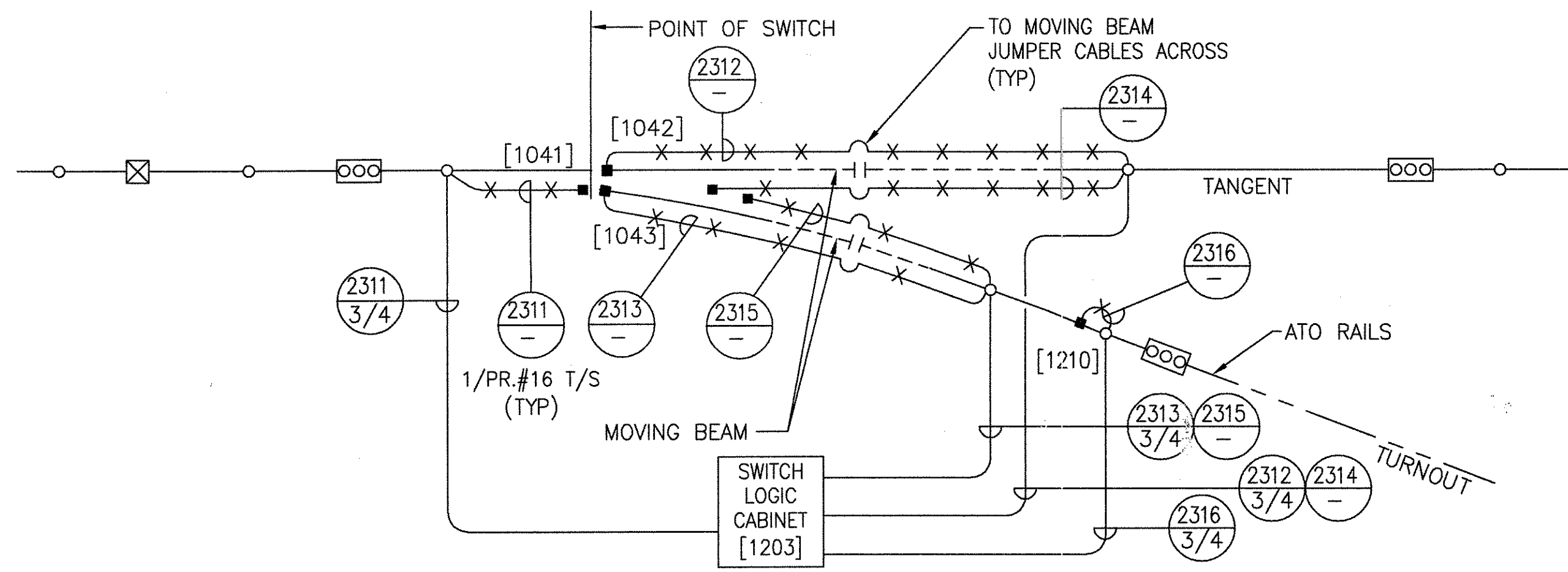
P. CARSON 7/31/05
 A. ROMEO

J. CARNEVALE

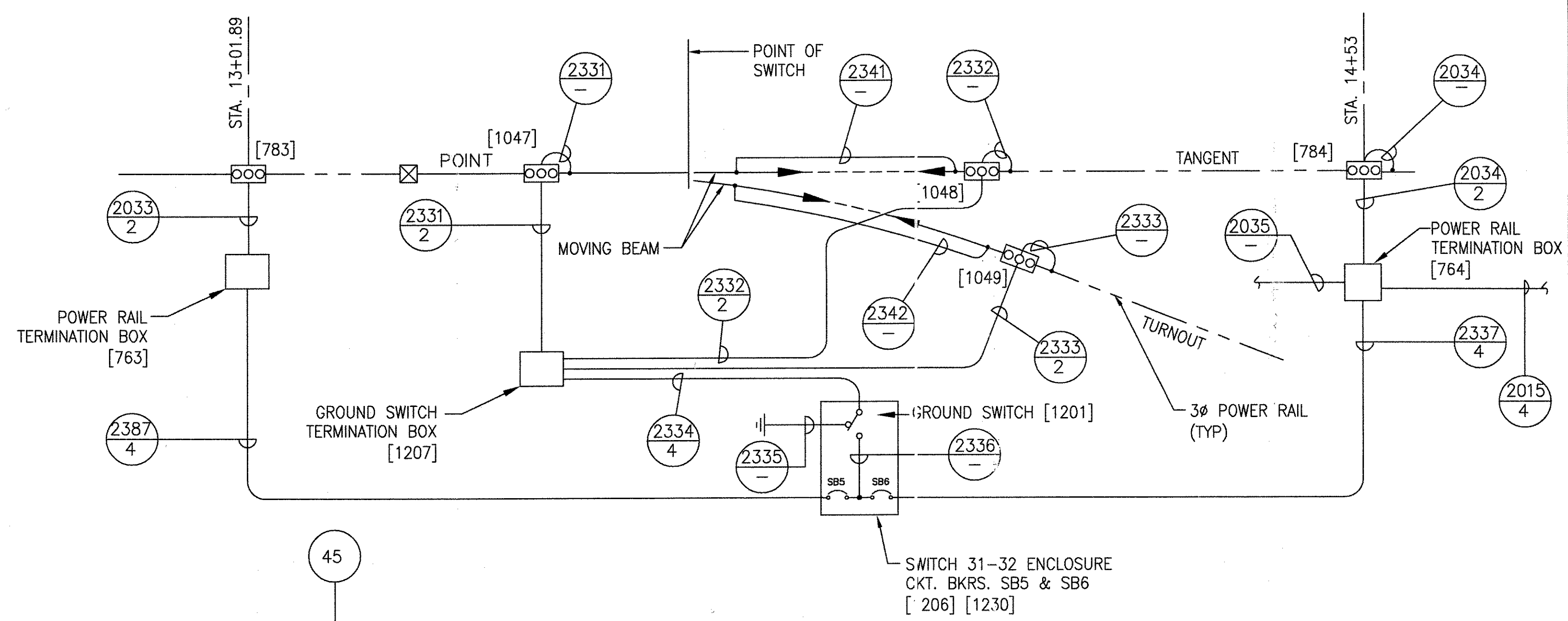
GEOMETRIC CHARACTERISTIC SYMBOLS	
FLATNESS	▭
STRAIGHTNESS	▬
ROUNDNESS (CIRCULARITY)	○
CYLINDRICITY	⊘
PROFILE OF ANY LINE	⌒
PROFILE OF ANY SURFACE	⌒
PARALLELISM	∥
PERPENDICULARITY (SQUARENESS)	⊥
ANGULARITY	∠
RUNOUT	⊖
TRUE POSITION	⊕
CONCENTRICITY	⊙
SYMMETRY	⊞
MAXIMUM MATERIAL CONDITION (MMC)	Ⓜ
REGARDLESS OF FEATURE SIZE	Ⓛ

DFTM.	WDO/PWI	12-20-01
CHKR.		
ENGRG.	T. NEVILLE	11-30-01
MFG.		
APPD.		
DFTG. SUPV.	J. CARNEVALE	

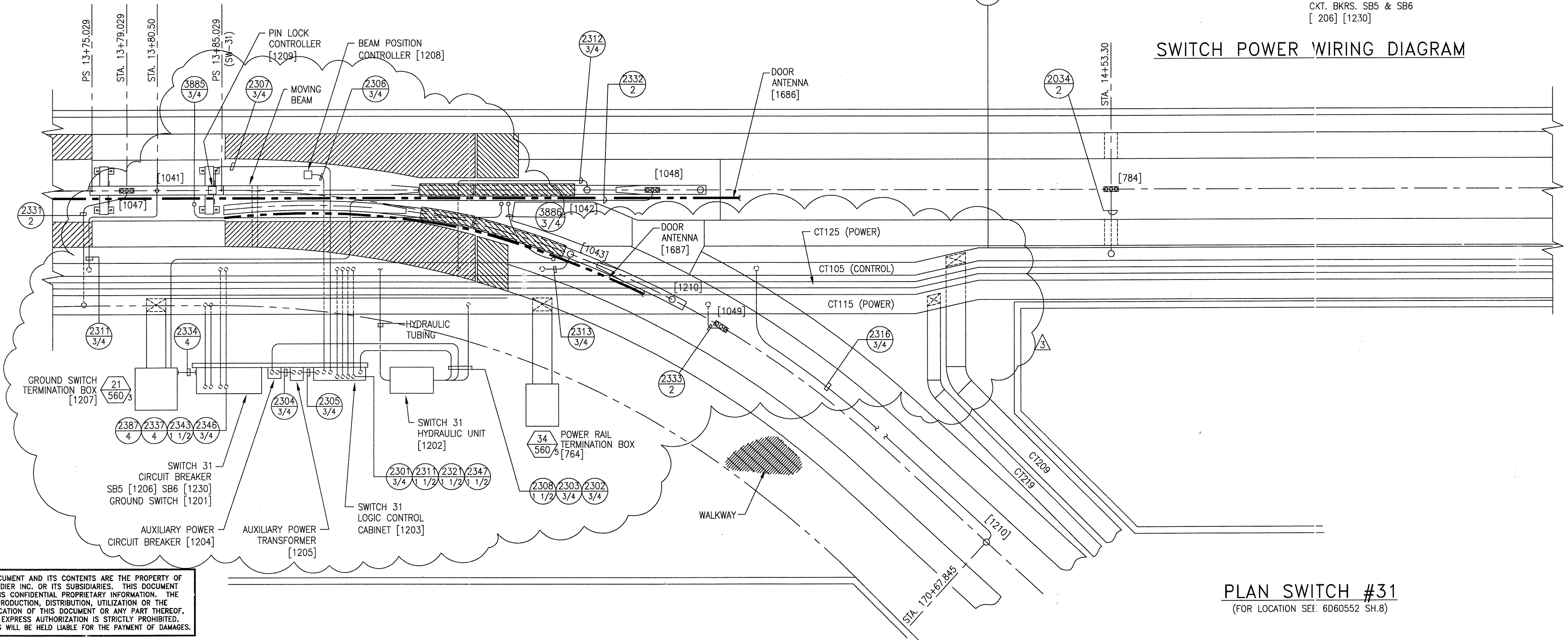
BOMBARDIER	
TITLE GEORGE BUSH INTERCONTINENTAL AIRPORT HOUSTON PHASE 2 EXTENSION	
DIMENSIONS IN INCHES SWITCH #24	
SIZE	D
DWG. NO.	6D60562
REV.	3
SCALE	1/4"=1'-0" WT.
SHEET	5



TRACK CIRCUIT WIRING DIAGRAM



SWITCH POWER WIRING DIAGRAM



PLAN SWITCH #31
(FOR LOCATION SEE 6D60552 SH.8)

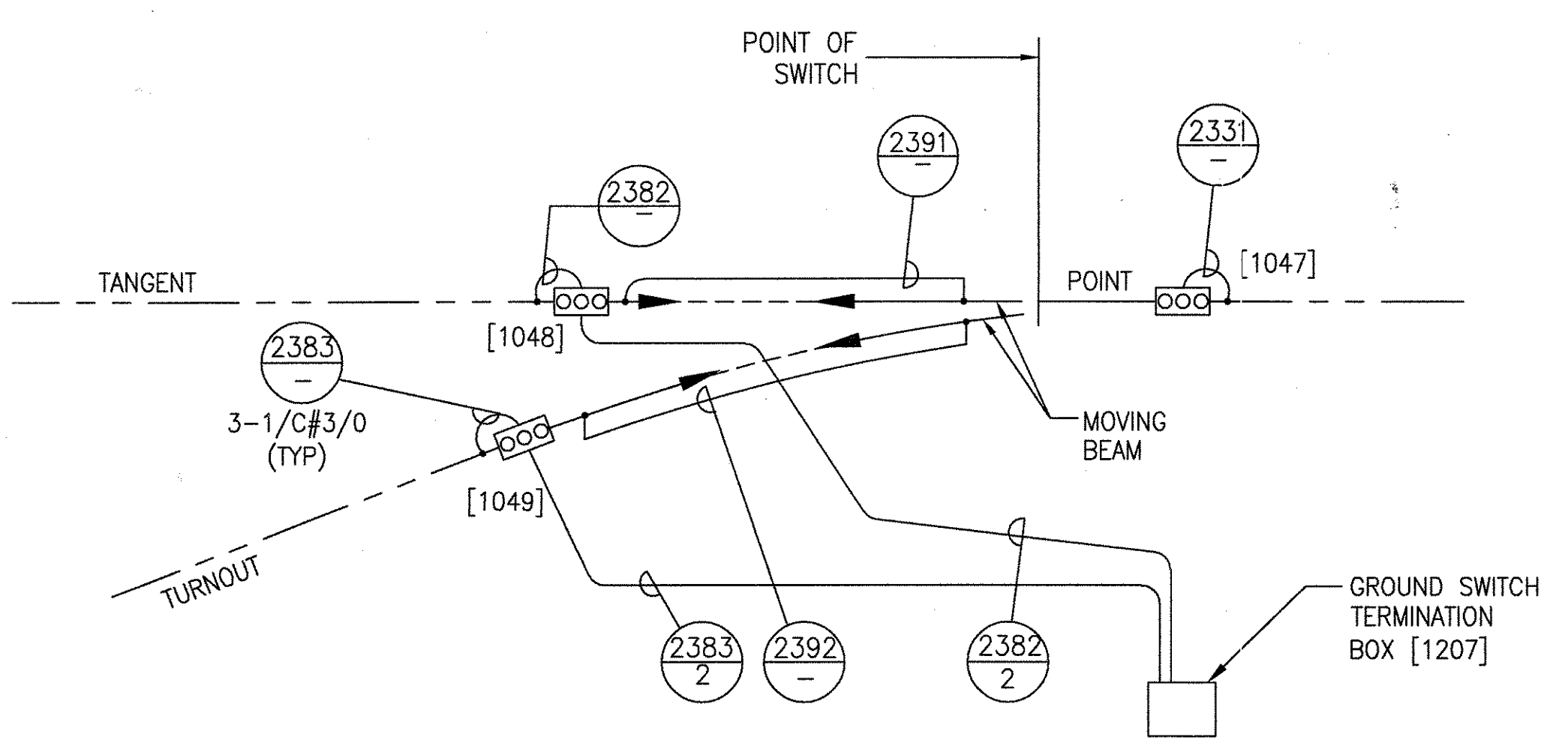
THIS DOCUMENT AND ITS CONTENTS ARE THE PROPERTY OF BOMBARDIER INC. OR ITS SUBSIDIARIES. THIS DOCUMENT CONTAINS CONFIDENTIAL PROPRIETARY INFORMATION. THE REPRODUCTION, DISTRIBUTION, UTILIZATION OR THE COMMUNICATION OF THIS DOCUMENT OR ANY PART THEREOF, WITHOUT EXPRESS AUTHORIZATION IS STRICTLY PROHIBITED. OFFENDERS WILL BE HELD LIABLE FOR THE PAYMENT OF DAMAGES.

1	TCN HOAB-B2065 D. 7DS873-A CHANGE	(R)	SIGNATURES ON FILE
2	TCN HOAB-B2065 ECN42824	(R)	SIGNATURES ON FILE
3	TCN HOAB-B2065 WR 2001346 SHEETS 1,6,7,8,9,10,11, 13,14 & 15 REVISED PER AS BUILT CONDITIONS P. CARSON 7/31/05 A. ROMEO J. CARNEVALE	(R)	SIGNATURES ON FILE

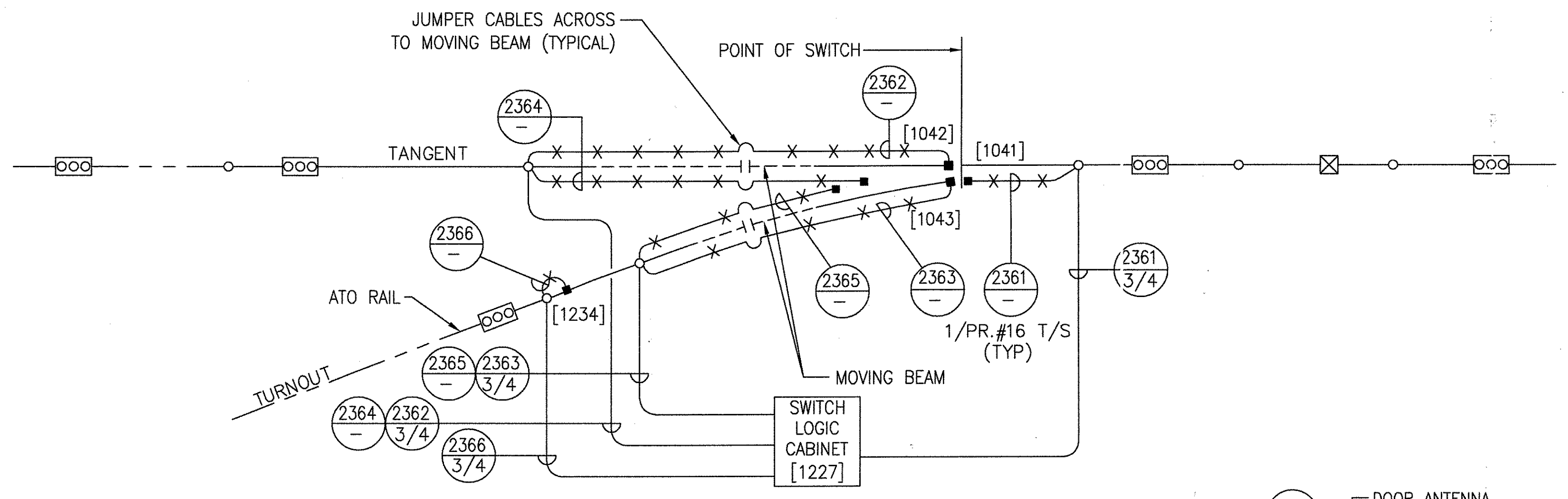
GEOMETRIC CHARACTERISTIC SYMBOLS	
FLATNESS	▭
STRAIGHTNESS	▬
CHKR.	○
ROUNDNESS (CIRCULARITY)	⊙
CYLINDRICITY	⊘
PROFILE OF ANY LINE	⌒
PROFILE OF ANY SURFACE	⌒
PARALLELISM	∥
PERPENDICULARITY (SQUARENESS)	⊥
ANGULARITY	∠
FRUOUT	⊞
TRUE POSITION	⊕
CONCENTRICITY	⊗
SYMMETRY	⊞
MAXIMUM MATERIAL CONDITION (MMC)	Ⓜ
REGARDLESS OF FEATURE SIZE	Ⓜ

DFTM.	WDO/PWI	12-20-01
ENGRG.	T. NEVILLE	11-30-01
MFG.		
APPD.		
DFTG. SUPV.	J. CARNEVALE	

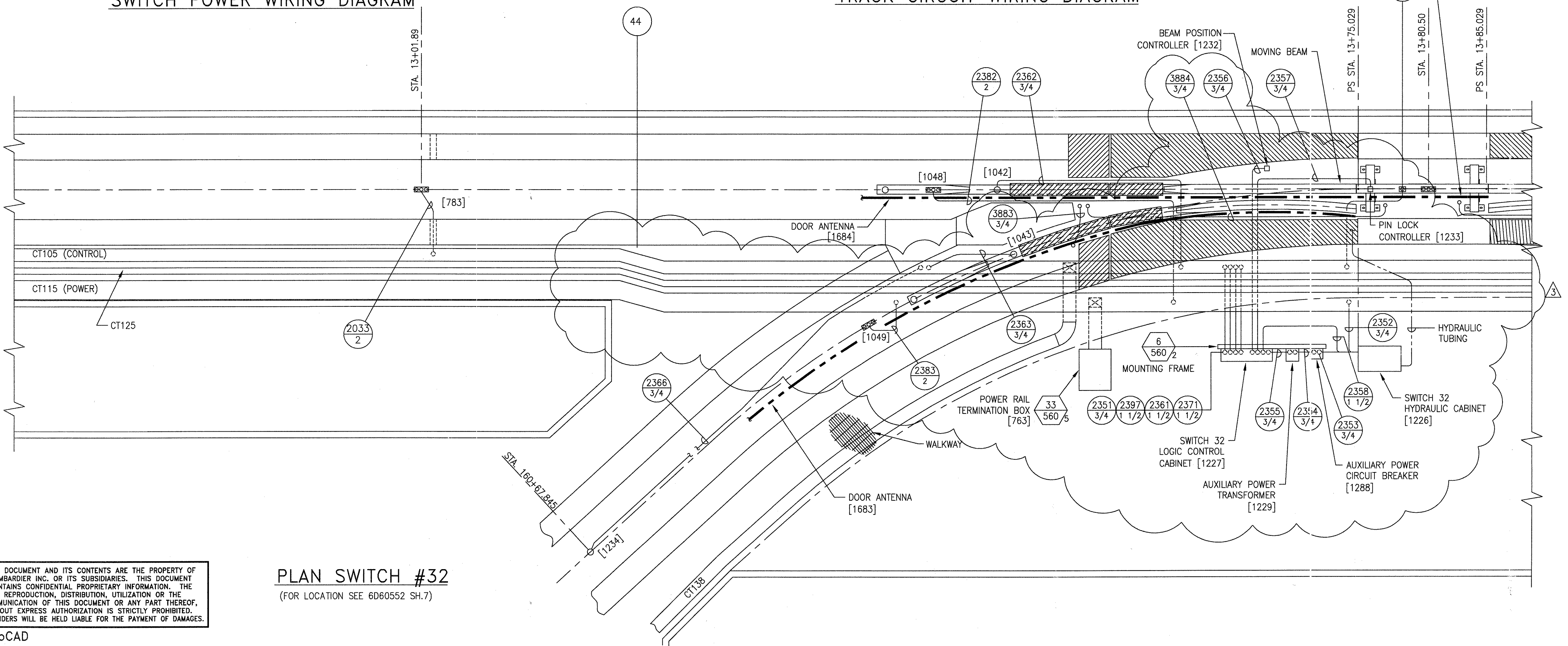
BOMBARDIER	
TITLE GEORGE BUSH INTERCONTINENTAL AIRPORT HOUSTON PHASE 2 EXTENSION	
DIMENSIONS IN INCHES SWITCH #31	
SIZE D	DWG. NO. 6D60562
REV. 3	SHEET 6



SWITCH POWER WIRING DIAGRAM



TRACK CIRCUIT WIRING DIAGRAM



PLAN SWITCH #32
(FOR LOCATION SEE 6D60552 SH.7)

THIS DOCUMENT AND ITS CONTENTS ARE THE PROPERTY OF BOMBARDIER INC. OR ITS SUBSIDIARIES. THIS DOCUMENT CONTAINS CONFIDENTIAL PROPRIETARY INFORMATION. THE REPRODUCTION, DISTRIBUTION, UTILIZATION OR THE COMMUNICATION OF THIS DOCUMENT OR ANY PART THEREOF, WITHOUT EXPRESS AUTHORIZATION IS STRICTLY PROHIBITED. OFFENDERS WILL BE HELD LIABLE FOR THE PAYMENT OF DAMAGES.

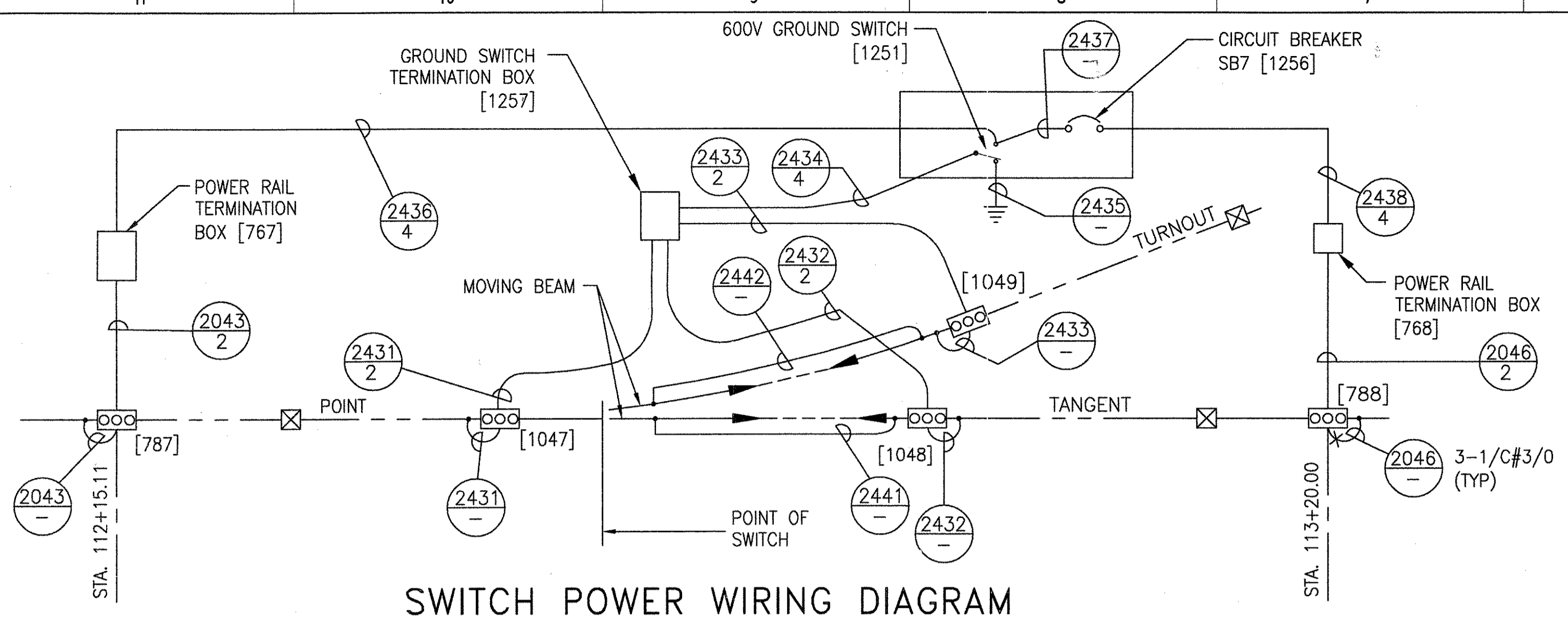
AutoCAD

TCN HOAB-B2065 D. 7DS873-A CHANGE	1
SIGNATURES ON FILE TCN HOAB-B2065 ECN42824	2
NO CHANGE THIS SHEET ISSUE FOR CONSTRUCTION R.D. PELKEY 4/8/03 T. NEVILLE J. CARNEVALE	
SIGNATURES ON FILE TCN HOAB-B2065 WR 2001346	3
SHEETS 16,7,8,9,10,11, 13,14 & 15 REVISED PER AS BUILT CONDITIONS P. CARSON 7/31/05 A. ROMEO J. CARNEVALE	

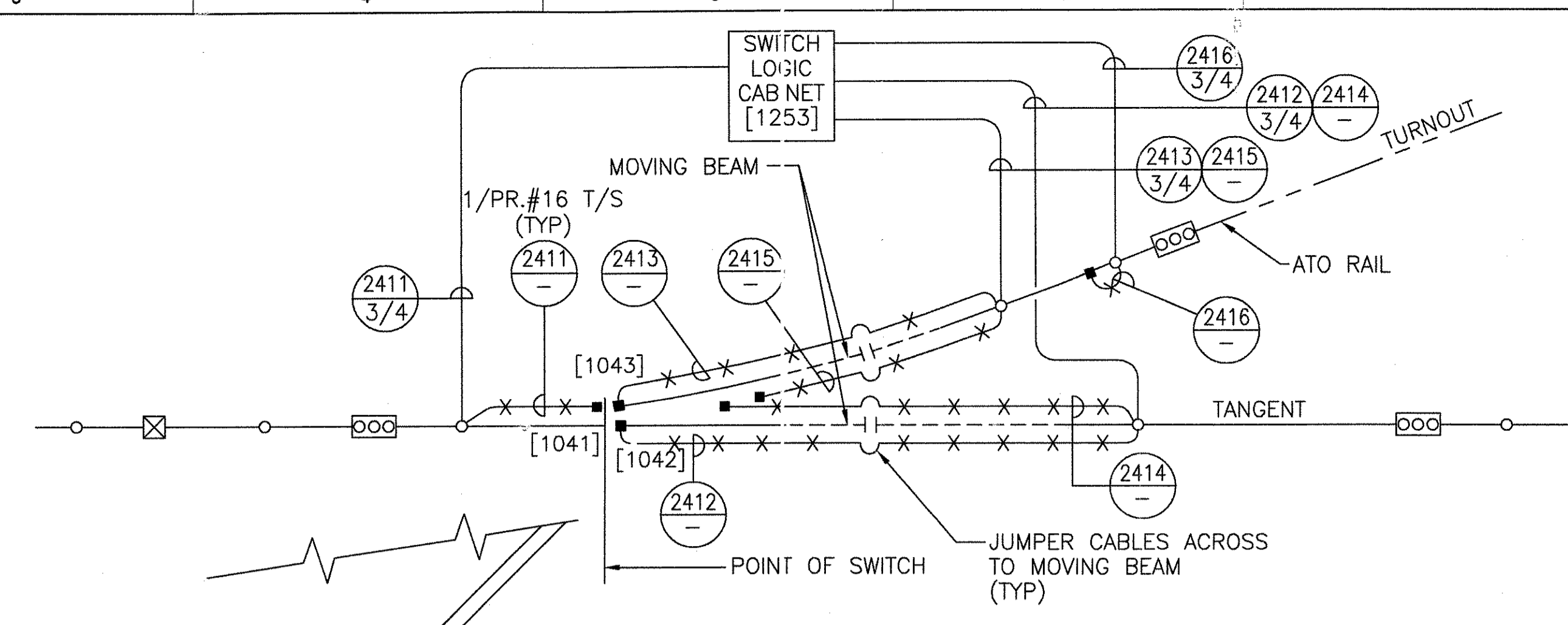
GEOMETRIC CHARACTERISTIC SYMBOLS	
FLATNESS	▭
STRAIGHTNESS	—
ROUNDNESS (CIRCULARITY)	○
CYLINDRICITY	⊘
PROFILE OF ANY LINE	—
PROFILE OF ANY SURFACE	—
PARALLELISM	∥
PERPENDICULARITY (SQUARENESS)	⊥
ANGULARITY	∠
RUNOUT	⊕
TRUE POSITION	⊕
CONCENTRICITY	⊕
SYMMETRY	⊕
MAXIMUM MATERIAL CONDITION (MMC)	Ⓜ
REGARDLESS OF FEATURE SIZE	Ⓜ

DFTM. WDO/PWI	DATE 12-20-01
ENGRG. T. NEVILLE	DATE 11-30-01
APPD. DFTG. SJPV. J. CARNEVALE	

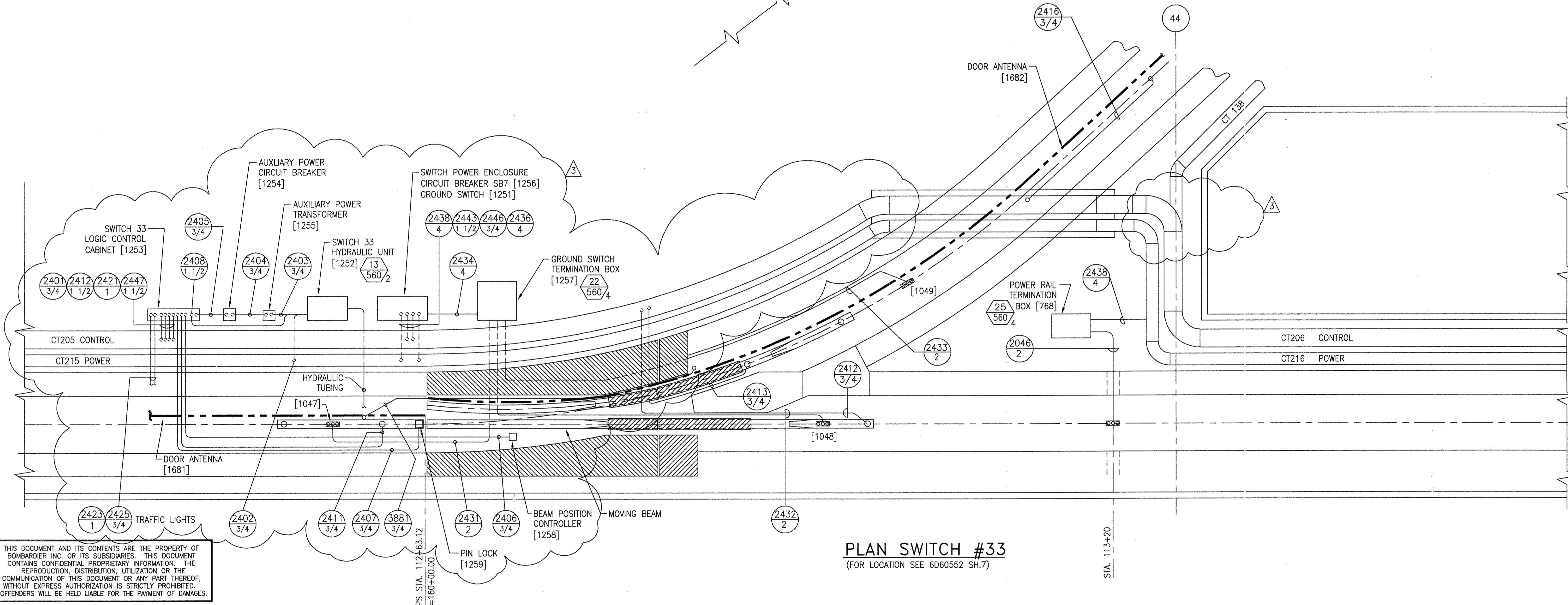
BOMBARDIER	
TITLE GEORGE BUSH INTERCONTINENTAL AIRPORT HOUSTON PHASE 2 EXTENSION	
DIMENSIONS IN INCHES SWITCH #32	
SIZE D	DWG. NO. 6D60562
SCALE: 1/4"=1'-0" WT.	REV. 3
SHEET 7	



SWITCH POWER WIRING DIAGRAM



TRACK CIRCUIT WIRING DIAGRAM



PLAN SWITCH #33
(FOR LOCATION SEE 6D60552 SH.7)

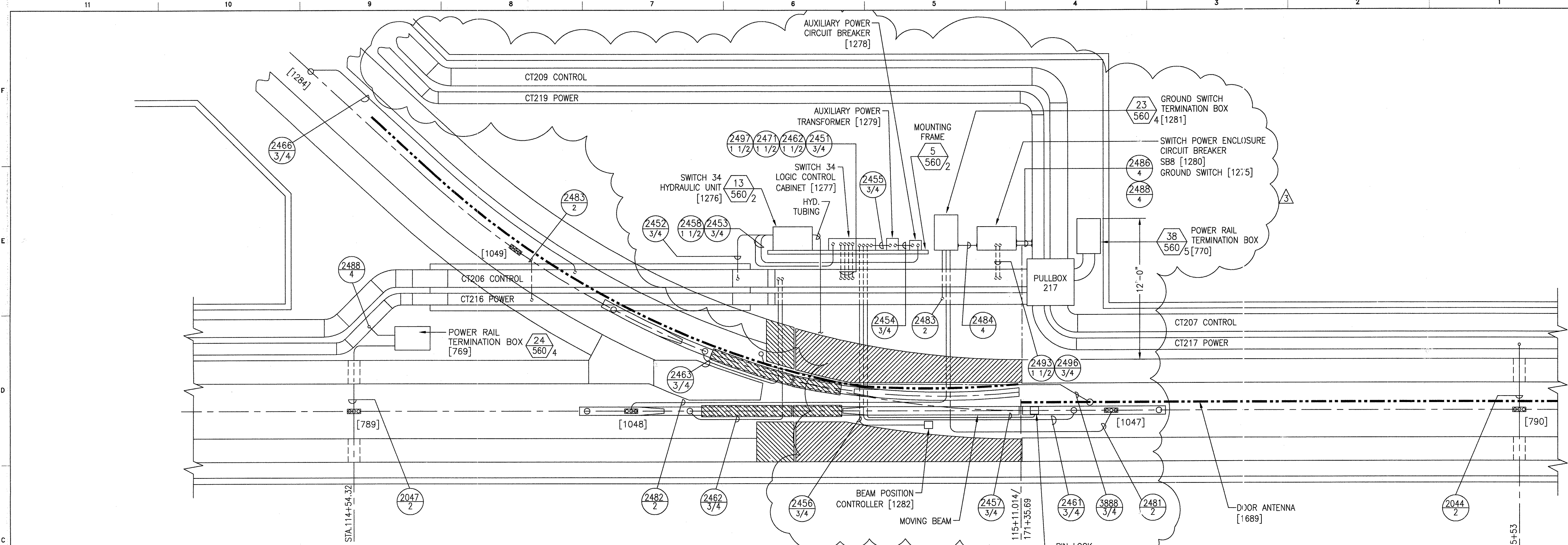
THIS DOCUMENT AND ITS CONTENTS ARE THE PROPERTY OF BOMBARDIER INC. OR ITS SUBSIDIARIES. THIS DOCUMENT CONTAINS CONFIDENTIAL PROPRIETARY INFORMATION. THE REPRODUCTION, DISTRIBUTION, UTILIZATION OR THE COMMUNICATION OF THIS DOCUMENT OR ANY PART THEREOF, WITHOUT EXPRESS AUTHORIZATION IS STRICTLY PROHIBITED. OFFENDERS WILL BE HELD LIABLE FOR THE PAYMENT OF DAMAGES.

1	CHANGES	2	NO CHANGE THIS SHEET ISSUE FOR CONSTRUCTION
1	IT.	2	IT.
SIGNATURES ON FILE		SIGNATURES ON FILE	
TON HOAB-B2065	WR 2001346	TON HOAB-B2065	WR 2001346
ECN42824	13,14 & 15 REVISED PER AS BUILT CONDITIONS	ECN42824	13,14 & 15 REVISED PER AS BUILT CONDITIONS
R.D. PELKEY 4/8/03	P. CARSON 7/31/05	R.D. PELKEY 4/8/03	P. CARSON 7/31/05
T. NEVILLE	J. CARNEVALE	T. NEVILLE	J. CARNEVALE
J. CARNEVALE		J. CARNEVALE	

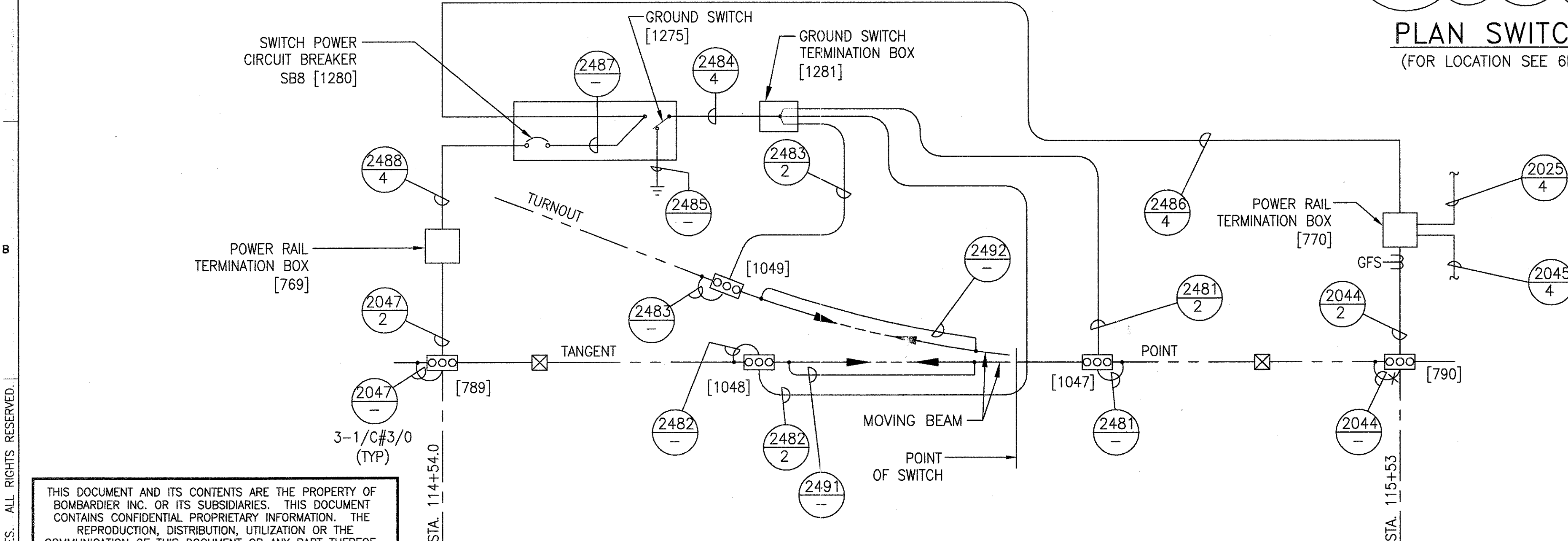
GEOMETRIC CHARACTERISTIC SYMBOLS	
FLATNESS	▭
STRAIGHTNESS	▭
ROUNDNESS (CIRCULARITY)	○
CYLINDRICITY	○
PROFILE OF ANY LINE	—
PROFILE OF ANY SURFACE	—
PARALLELISM	∥
PERPENDICULARITY (SQUARENESS)	⊥
ANGULARITY	∠
RUNOUT	⊕
TRUE POSITION	⊕
CONCENTRICITY	⊕
SYMMETRY	⊕
MAXIMUM MATERIAL CONDITION (MMC)	Ⓜ
REGARDLESS OF FEATURE SIZE	Ⓜ

DFTM.	WDO/PWI	12-20-01
ENGRG.	T. NEVILLE	11-30-01
MFG.		
APPD.		
DFTG. SUPV.	J. CARNEVALE	

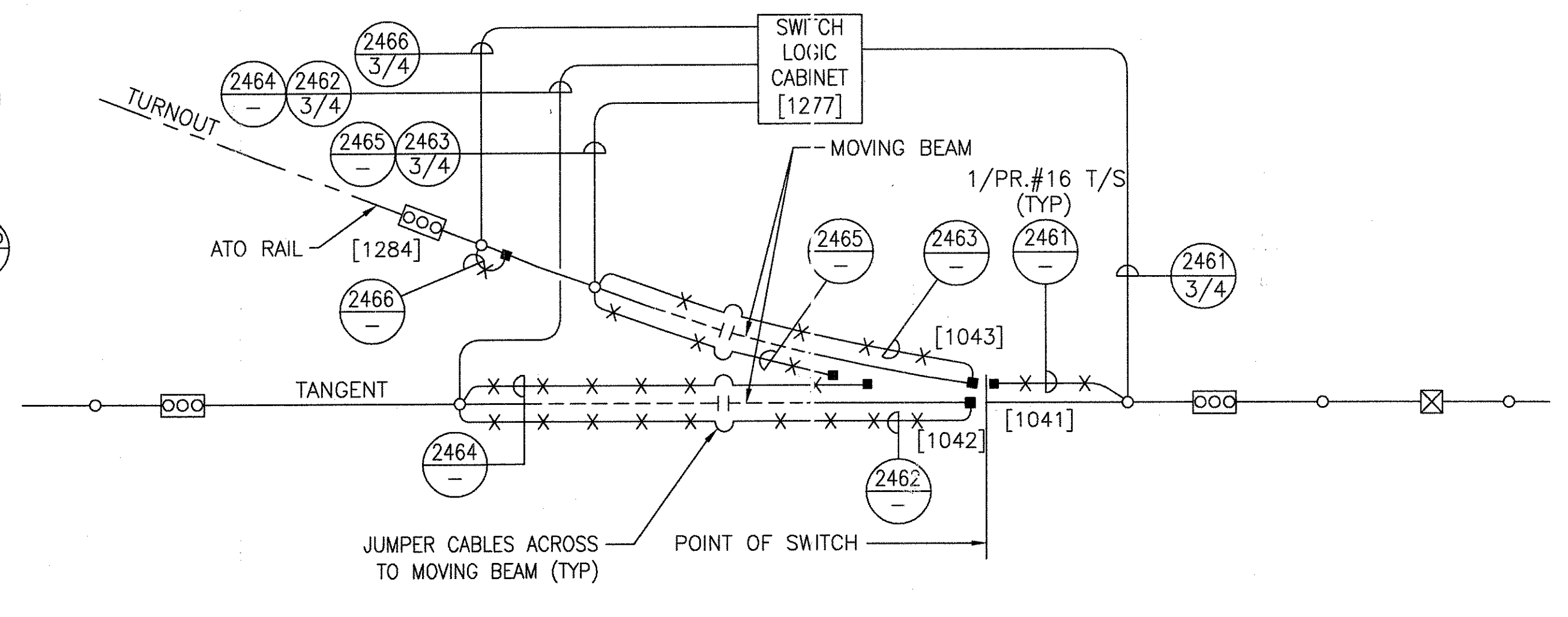
BOMBARDIER	
TITLE GEORGE BUSH INTERCONTINENTAL AIRPORT HOUSTON PHASE 2 EXTENSION	
DIMENSIONS IN INCHES SWITCH #33	
SIZE D	DWG. NO. 6D60562
SCALE 1/4"=1'-0" WT.	REV. 3
SHEET 8	



PLAN SWITCH #34
(FOR LOCATION SEE 6D60552 SH.8)



SWITCH POWER WIRING DIAGRAM



TRACK CIRCUIT WIRING DIAGRAM

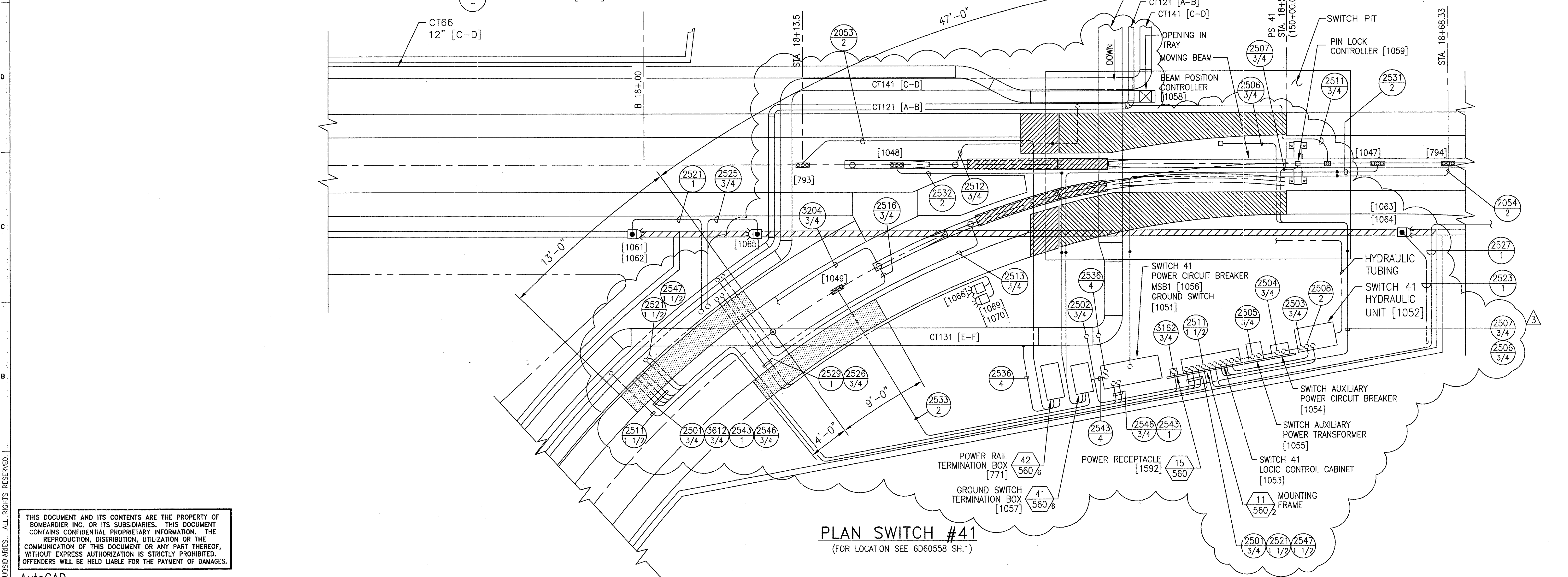
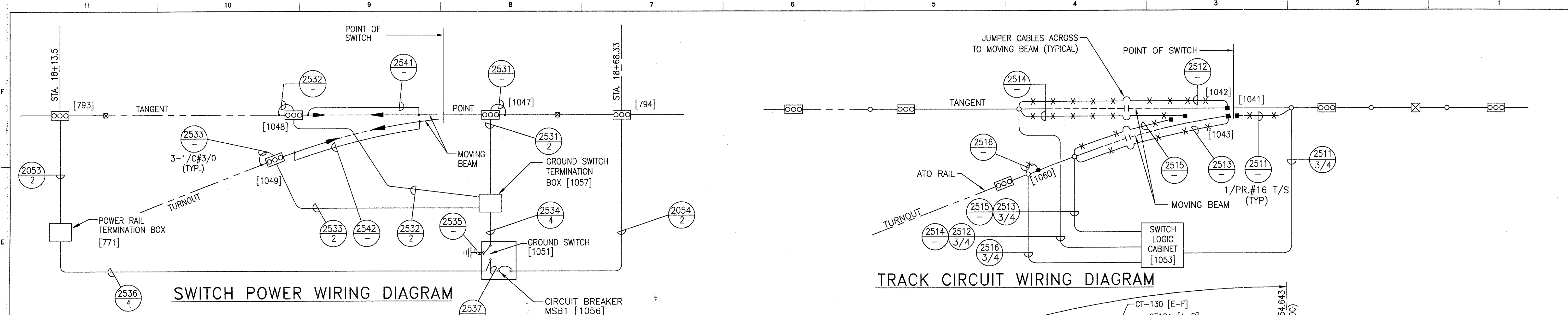
THIS DOCUMENT AND ITS CONTENTS ARE THE PROPERTY OF BOMBARDIER INC. OR ITS SUBSIDIARIES. THIS DOCUMENT CONTAINS CONFIDENTIAL PROPRIETARY INFORMATION. REPRODUCTION, DISTRIBUTION, UTILIZATION OR THE COMMUNICATION OF THIS DOCUMENT OR ANY PART THEREOF, WITHOUT EXPRESS AUTHORIZATION IS STRICTLY PROHIBITED. OFFENDERS WILL BE HELD LIABLE FOR THE PAYMENT OF DAMAGES.

1	IT. CHANGE	
2	SIGNATURES ON FILE TON HOAB-B2065 EON42824	
3	SIGNATURES ON FILE TON HOAB-B2065 WR 2001346	
	NO CHANGE THIS SHEET ISSUE FOR CONSTRUCTION R.D. PELKEY 4/8/03 T. NEVILLE J. CARNEVALE	
	SIGNATURES ON FILE SHEETS 16,7,8,9,10,11, 13,14 & 15 REVISED PER AS BUILT CONDITIONS P. CARSON 7/31/05 A. ROMEO J. CARNEVALE	

GEOMETRIC CHARACTERISTIC SYMBOLS	
FLATNESS	□
STRAIGHTNESS	—
ROUNDNESS (CIRCULARITY)	○
CYLINDRICITY	⊘
PROFILE OF ANY LINE	—
PROFILE OF ANY SURFACE	—
PARALLELISM	∥
PERPENDICULARITY (SQUARENESS)	⊥
ANGULARITY	∠
RUNOUT	⊖
TRUE POSITION	⊕
CONCENTRICITY	⊙
SYMMETRY	⊞
MAXIMUM MATERIAL CONDITION (MMC)	Ⓜ
REGARDLESS OF FEATURE SIZE	Ⓛ

DFTM.	WDO/PWI	12-20-01
ENGRG.	T. NEVILLE	11-30-01
MFG.		
APPD.		
DFTG. SUPV.	J. CARNEVALE	

BOMBARDIER	
TITLE GEORGE BUSH INTERCONTINENTAL AIRPORT	
HOUSTON PHASE 2 EXTENSION	
DIMENSIONS IN INCHES SWITCH #34	
SIZE D	DWG. NO. 6D60562
SCALE 1/4"=1'-0" WT.	REV. 3
SHEET 9	



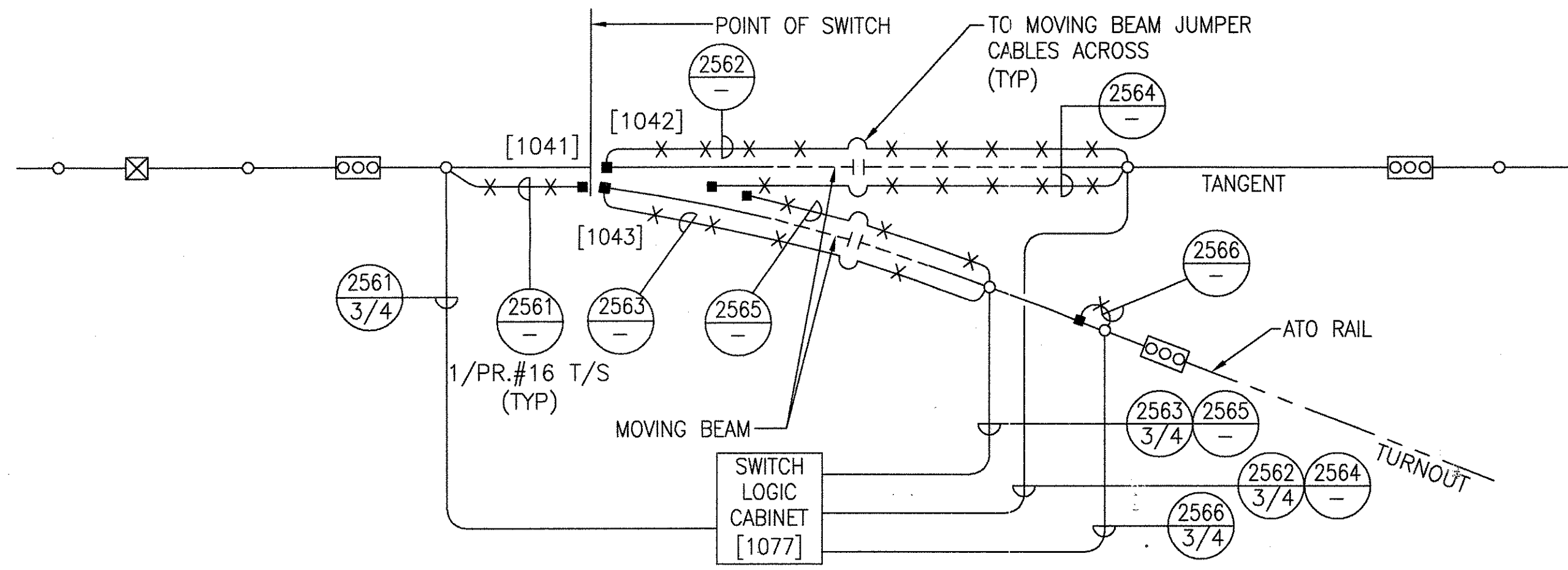
THIS DOCUMENT AND ITS CONTENTS ARE THE PROPERTY OF BOMBARDIER INC. OR ITS SUBSIDIARIES. THIS DOCUMENT CONTAINS CONFIDENTIAL PROPRIETARY INFORMATION. THE REPRODUCTION, DISTRIBUTION, UTILIZATION OR THE COMMUNICATION OF THIS DOCUMENT OR ANY PART THEREOF, WITHOUT EXPRESS AUTHORIZATION IS STRICTLY PROHIBITED. OFFENDERS WILL BE HELD LIABLE FOR THE PAYMENT OF DAMAGES.

1	IT.	CHANGE
(R)	SIGNATURES ON FILE	2
TON HOAB-B2065 D. 7DSB73-A	TON HOAB-B2065 WR 2001346	3
NO CHANGE THIS SHEET ISSUE FOR CONSTRUCTION	SHEETS 1,6,7,8,9,10,11, 13,14 & 15 REVISED PER AS BUILT CONDITIONS	
R.D. PELKEY 4/8/03 T. NEVILLE J. CARNEVALE	P. CARSON 7/31/05 A. ROMEO J. CARNEVALE	

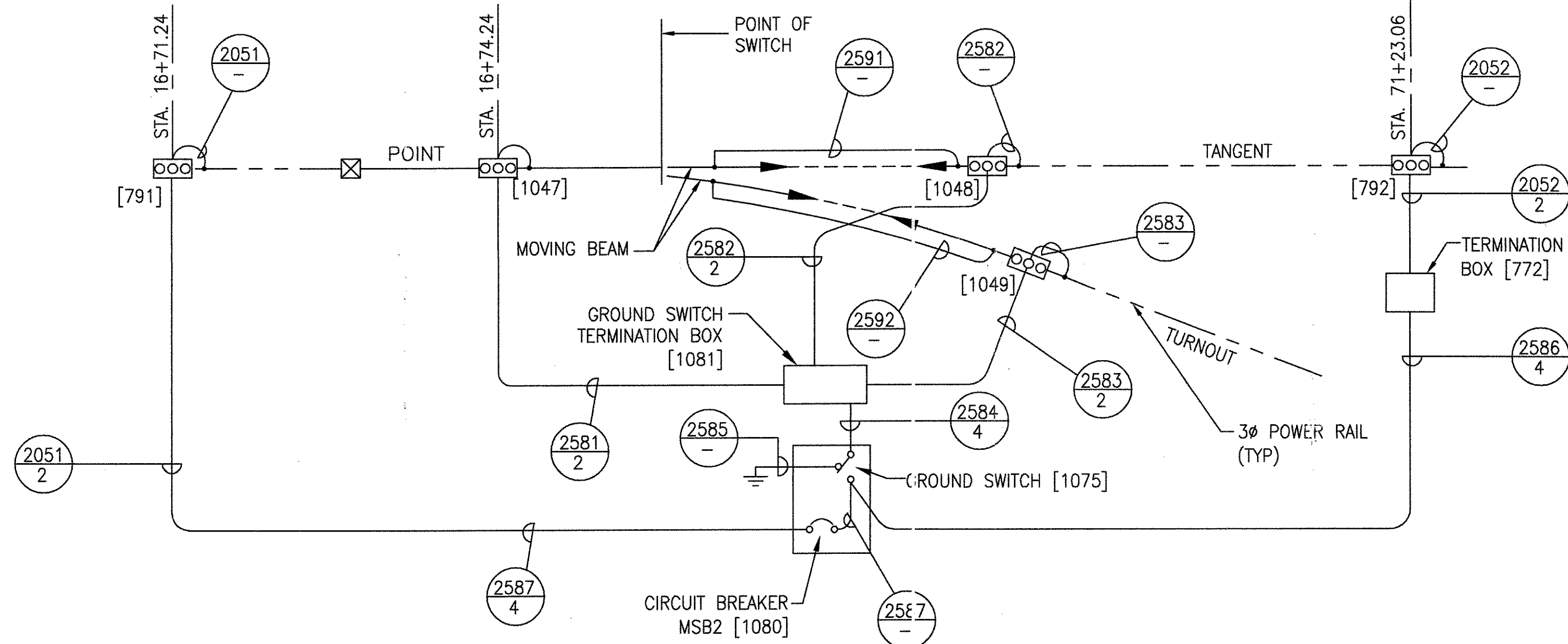
GEOMETRIC CHARACTERISTIC SYMBOLS	
FLATNESS	□
STRAIGHTNESS	—
ROUNDNESS (CIRCULARITY)	○
CYLINDRICITY	⊘
PROFILE OF ANY LINE	—
PROFILE OF ANY SURFACE	—
PARALLELISM	∥
PERPENDICULARITY (SQUARENESS)	⊥
ANGULARITY	∠
RUNOUT	⊖
TRUE POSITION	⊕
CONCENTRICITY	⊙
SYMMETRY	⊞
MAXIMUM MATERIAL CONDITION (MMC)	Ⓜ
REGARDLESS OF FEATURE SIZE	Ⓜ

DFTM.	WDO/PWI	DATE
ENGRG.	T. NEVILLE	11-30-01
MFG.		
APPD.		
DFTG. SUPV.	J. CARNEVALE	

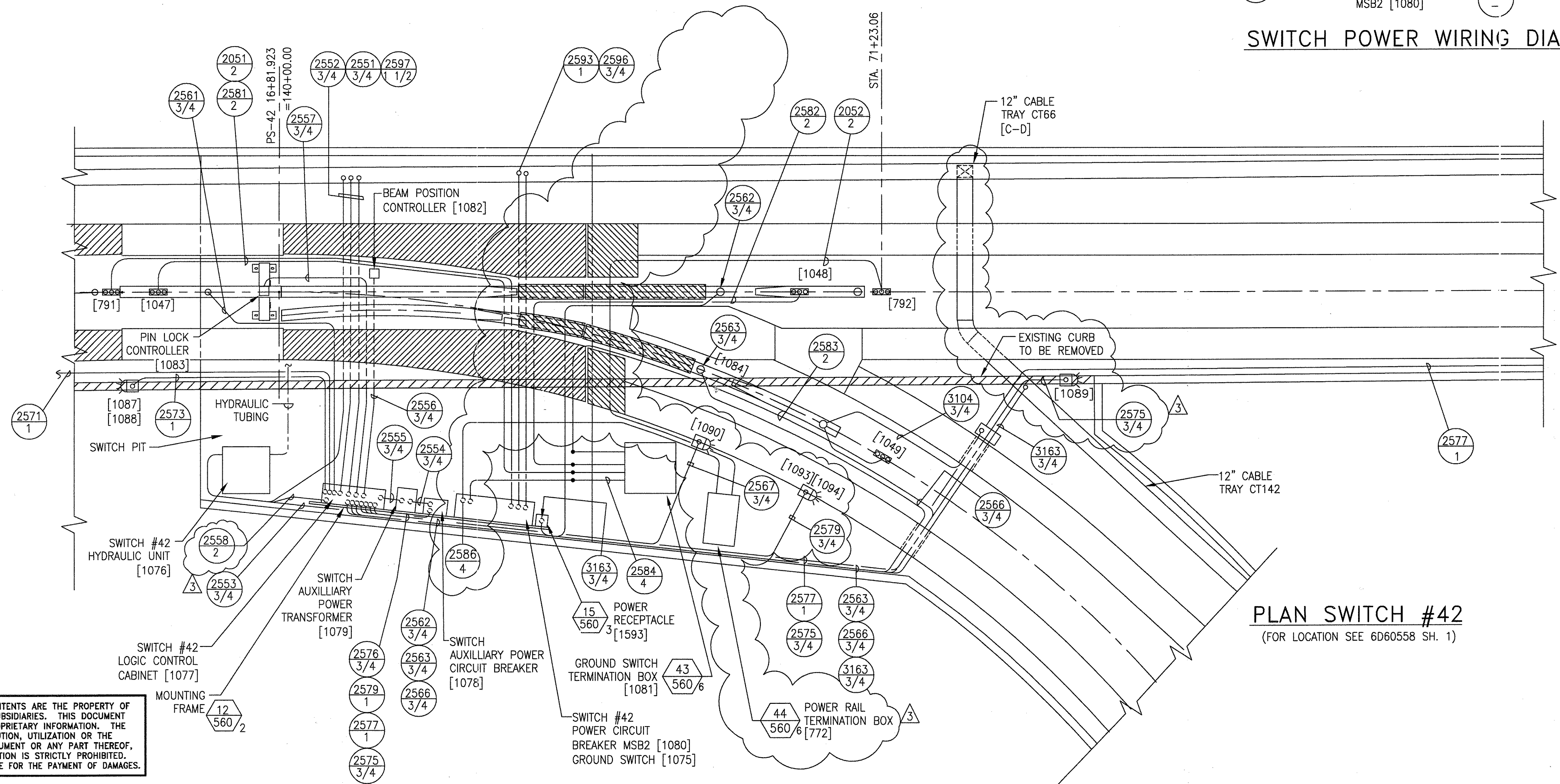
BOMBARDIER	
TITLE GEORGE BUSH INTERCONTINENTAL AIRPORT HOUSTON PHASE 2 EXTENSION	
DIMENSIONS IN INCHES SWITCH #41	
SIZE	D
DWG. NO.	6D60562
REV.	3
SHEET	10



TRACK CIRCUIT WIRING DIAGRAM



SWITCH POWER WIRING DIAGRAM



PLAN SWITCH #42
(FOR LOCATION SEE 6D60558 SH. 1)

THIS DOCUMENT AND ITS CONTENTS ARE THE PROPERTY OF BOMBARDIER INC. OR ITS SUBSIDIARIES. THIS DOCUMENT CONTAINS CONFIDENTIAL PROPRIETARY INFORMATION. THE REPRODUCTION, DISTRIBUTION, UTILIZATION OR THE COMMUNICATION OF THIS DOCUMENT OR ANY PART THEREOF, WITHOUT EXPRESS AUTHORIZATION IS STRICTLY PROHIBITED. OFFENDERS WILL BE HELD LIABLE FOR THE PAYMENT OF DAMAGES.

1	AutoCAD	
2	SIGNATURES ON FILE	
3	SIGNATURES ON FILE	

TCN HOAB-B2065
D. 7DS873-A
CHANGE

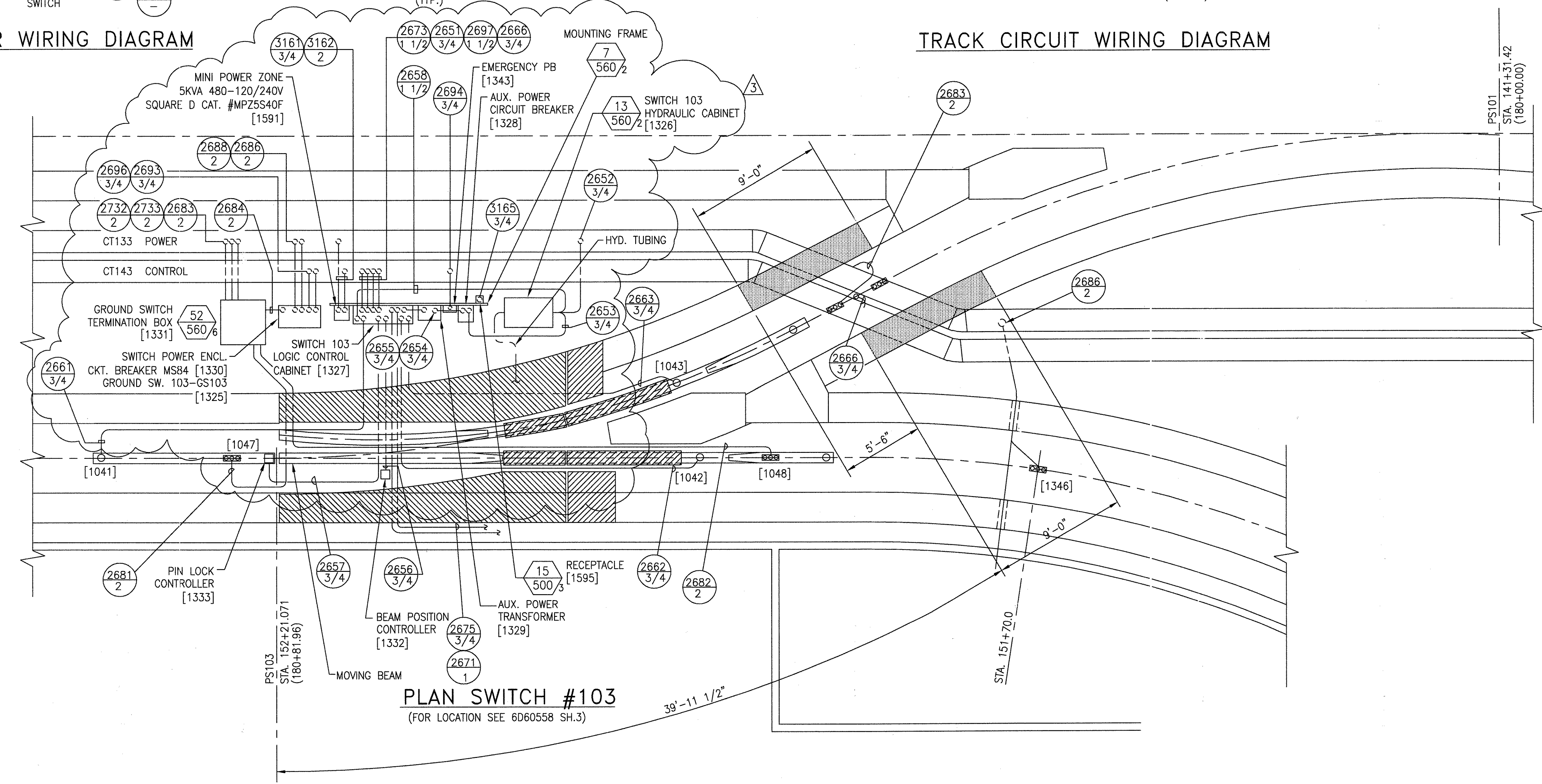
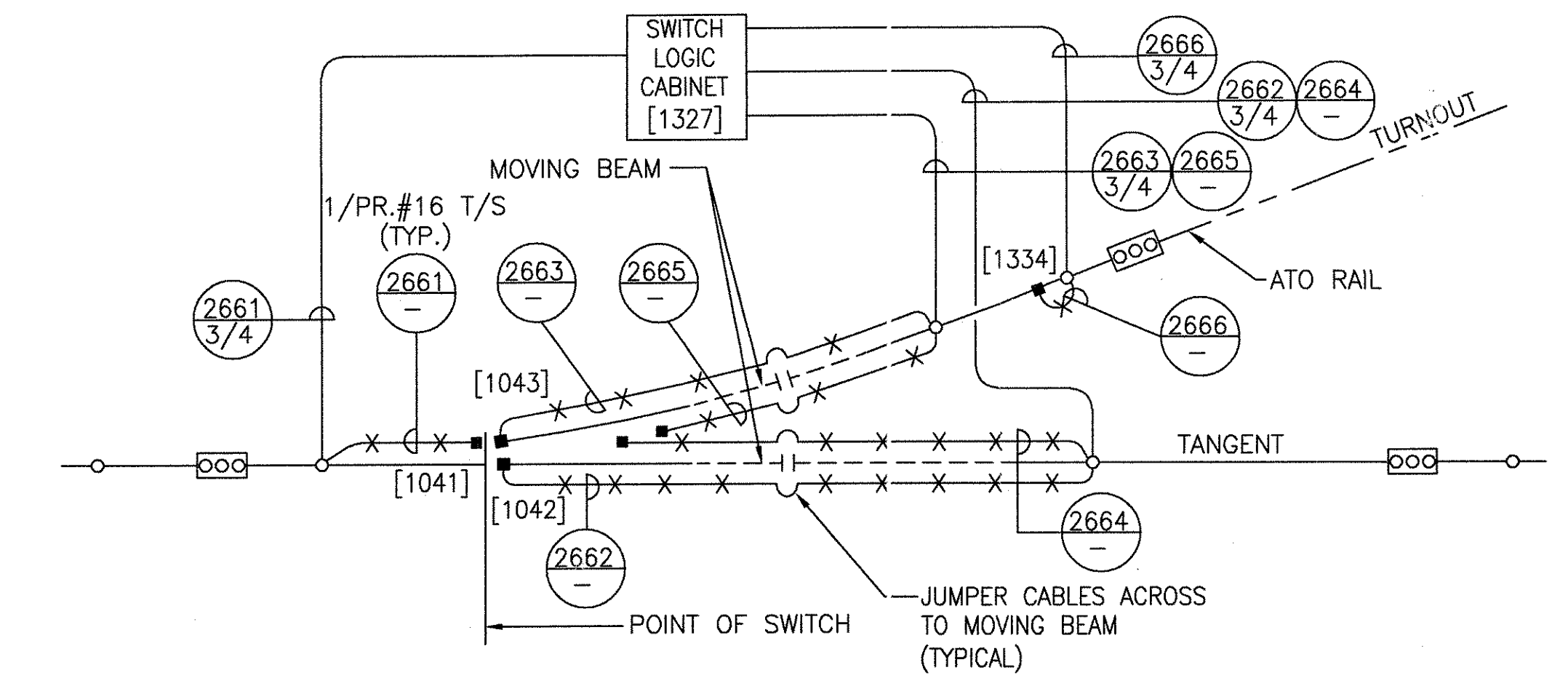
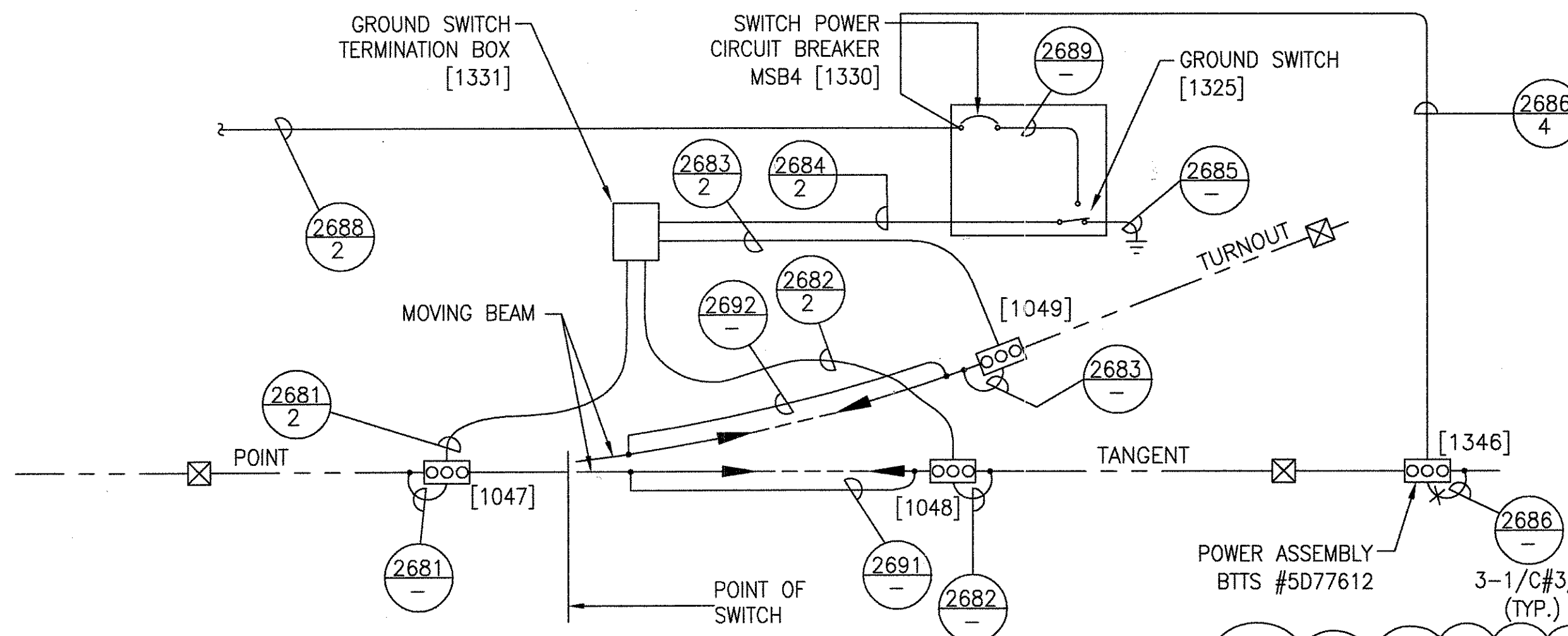
TCN HOAB-B2065
WR 2001346
SHEETS 1,6,7,8,9,10,11,
13,14 & 15
REVISED PER AS BUILT
CONDITIONS
P. CARSON 7/31/05
A. ROMEO
J. CARNEVALE

R.D. PELKEY 4/8/03
T. NEVILLE
J. CARNEVALE

GEOMETRIC CHARACTERISTIC SYMBOLS	
FLATNESS	▭
STRAIGHTNESS	▬
CHKR.	○
ROUNDNESS (CIRCULARITY)	⊙
CYLINDRICITY	⊘
PROFILE OF ANY LINE	⌒
PROFILE OF ANY SURFACE	⌒
PARALLELISM	∥
PERPENDICULARITY (SQUARENESS)	⊥
ANGULARITY	∠
RUNOUT	⌒
TRUE POSITION	⊕
CONCENTRICITY	⊙
SYMMETRY	⊕
MAXIMUM MATERIAL CONDITION (MMC)	Ⓜ
REGARDLESS OF FEATURE SIZE	Ⓜ

DFTM.	WDO/PWI	12-20-01
ENGRG.	T. NEVILLE	11-30-01
MFG.		
APPD.		
DFTG. SUPV.	J. CARNEVALE	

BOMBARDIER	
TITLE GEORGE BUSH INTERCONTINENTAL AIRPORT HOUSTON PHASE 2 EXTENSION	
DIMENSIONS IN INCHES SWITCH #42	
SIZE D	DWG. NO. 6D60562
SCALE 1/4"=1'-0" WT.	REV. 3
SHEET 11	



THIS DOCUMENT AND ITS CONTENTS ARE THE PROPERTY OF BOMBARDIER INC. OR ITS SUBSIDIARIES. THIS DOCUMENT CONTAINS CONFIDENTIAL PROPRIETARY INFORMATION. THE REPRODUCTION, DISTRIBUTION, UTILIZATION OR THE COMMUNICATION OF THIS DOCUMENT OR ANY PART THEREOF, WITHOUT EXPRESS AUTHORIZATION IS STRICTLY PROHIBITED. OFFENDERS WILL BE HELD LIABLE FOR THE PAYMENT OF DAMAGES.

1	CHANGE	
2	SIGNATURES ON FILE	
3	SIGNATURES ON FILE	

TCN HOAB-B2065
D. 7DS873-A

TCN HOAB-B2065
WR 2001346

TCN HOAB-B2065
WR 2001346

SHEETS 1,2,3,4,6,7,8,9, 11,13,14 & 15
REVISED PER AS BUILT CONDITIONS

P. CARSON 7/31/05
A. ROMEO

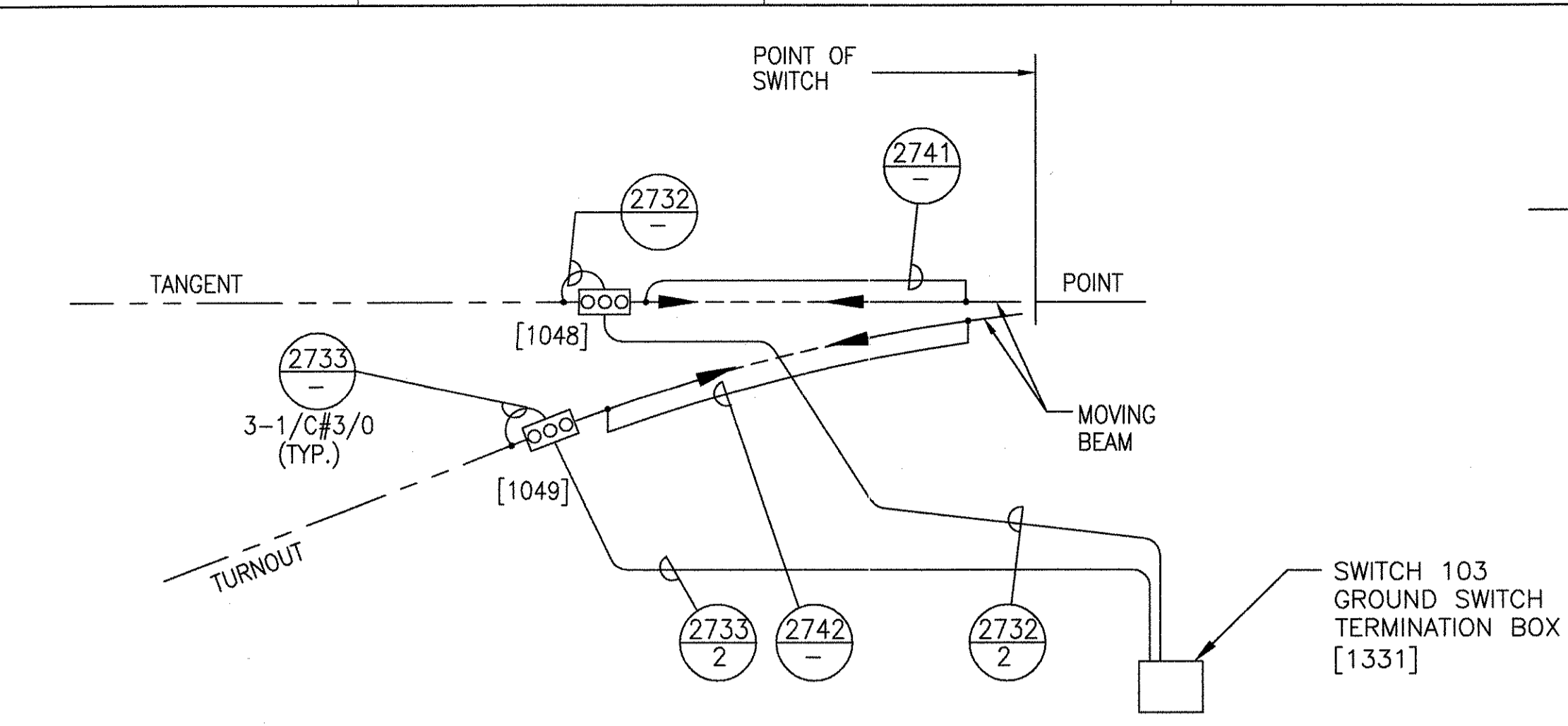
J. CARNEVALE

R.D. PELKEY 4/8/03
T. NEVILLE
J. CARNEVALE

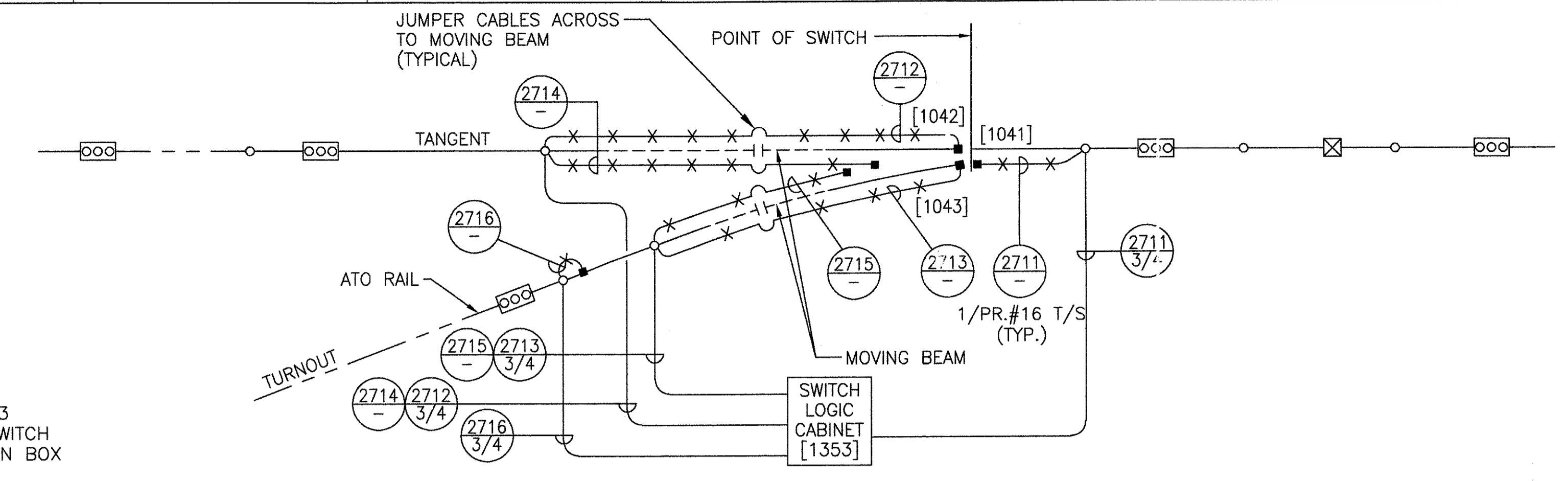
GEOMETRIC CHARACTERISTIC SYMBOLS	
FLATNESS	▭
STRAIGHTNESS	—
ROUNDNESS (CIRCULARITY)	○
CYLINDRICITY	⊘
PROFILE OF ANY LINE	△
PROFILE OF ANY SURFACE	△
PARALLELISM	∥
PERPENDICULARITY (SQUARENESS)	⊥
ANGULARITY	∠
RUNOUT	⊖
TRUE POSITION	⊕
COAXIALITY	⊙
SYMMETRY	⊞
MAXIMUM MATERIAL CONDITION (MMC)	Ⓜ
REGARDLESS OF FEATURE SIZE	Ⓜ

DFTM.	WDO/PWI	DATE
CHKR.		12-20-01
ENGRG.	T. NEVILLE	11-30-01
MFG.		
APPD.		
DFTG. SUPV.	J. CARNEVALE	

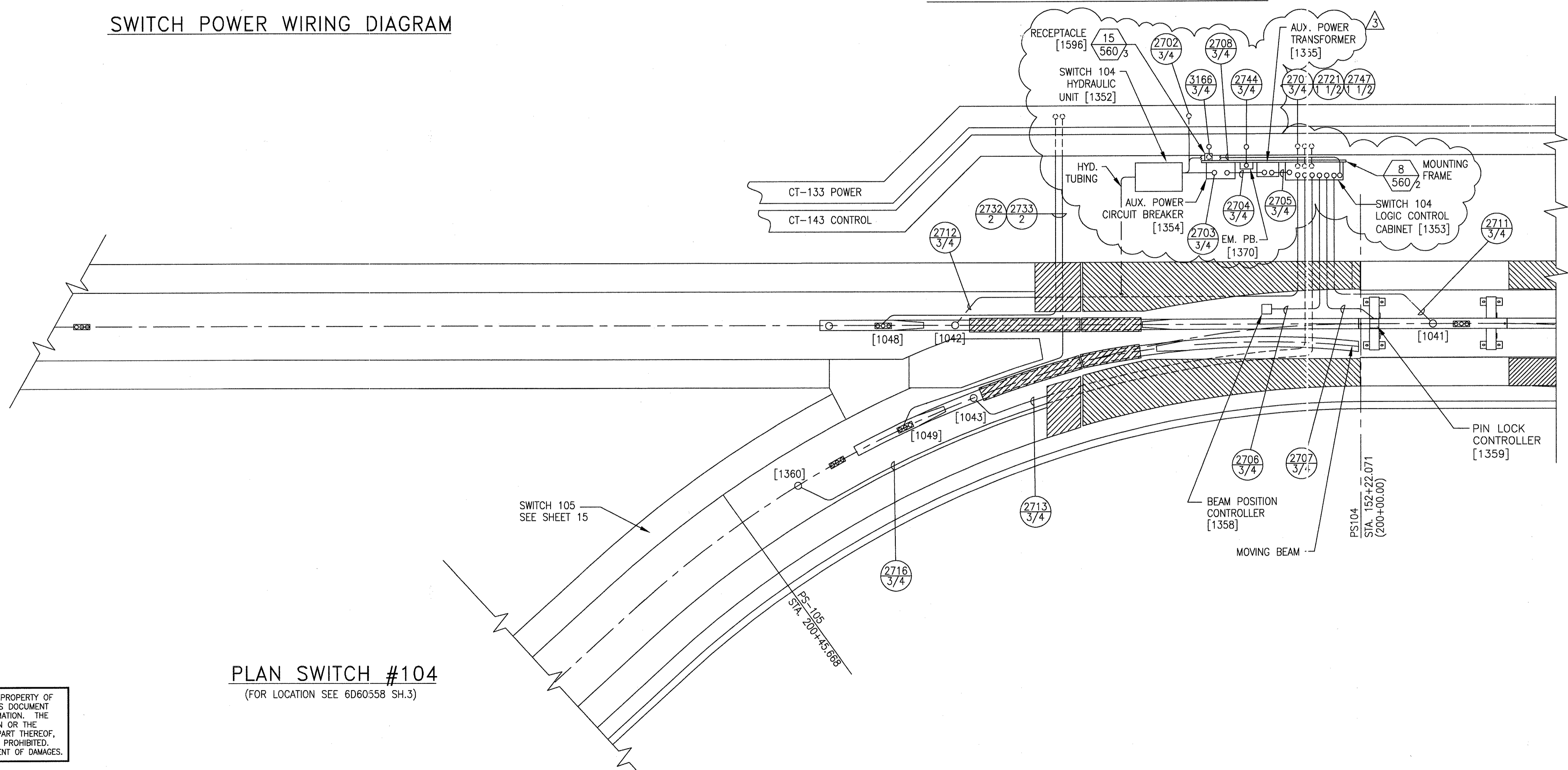
BOMBARDIER	
TITLE GEORGE BUSH INTERCONTINENTAL AIRPORT	
HOUSTON PHASE 2 EXTENSION	
DIMENSIONS IN INCHES SWITCH #103	
SIZE	DWG. NO. 6D60562
SCALE 1/4"=1'-0" WT.	REV. 3
SHEET 13	



SWITCH POWER WIRING DIAGRAM



TRACK CIRCUIT WIRING DIAGRAM



PLAN SWITCH #104
(FOR LOCATION SEE 6D60558 SH.3)

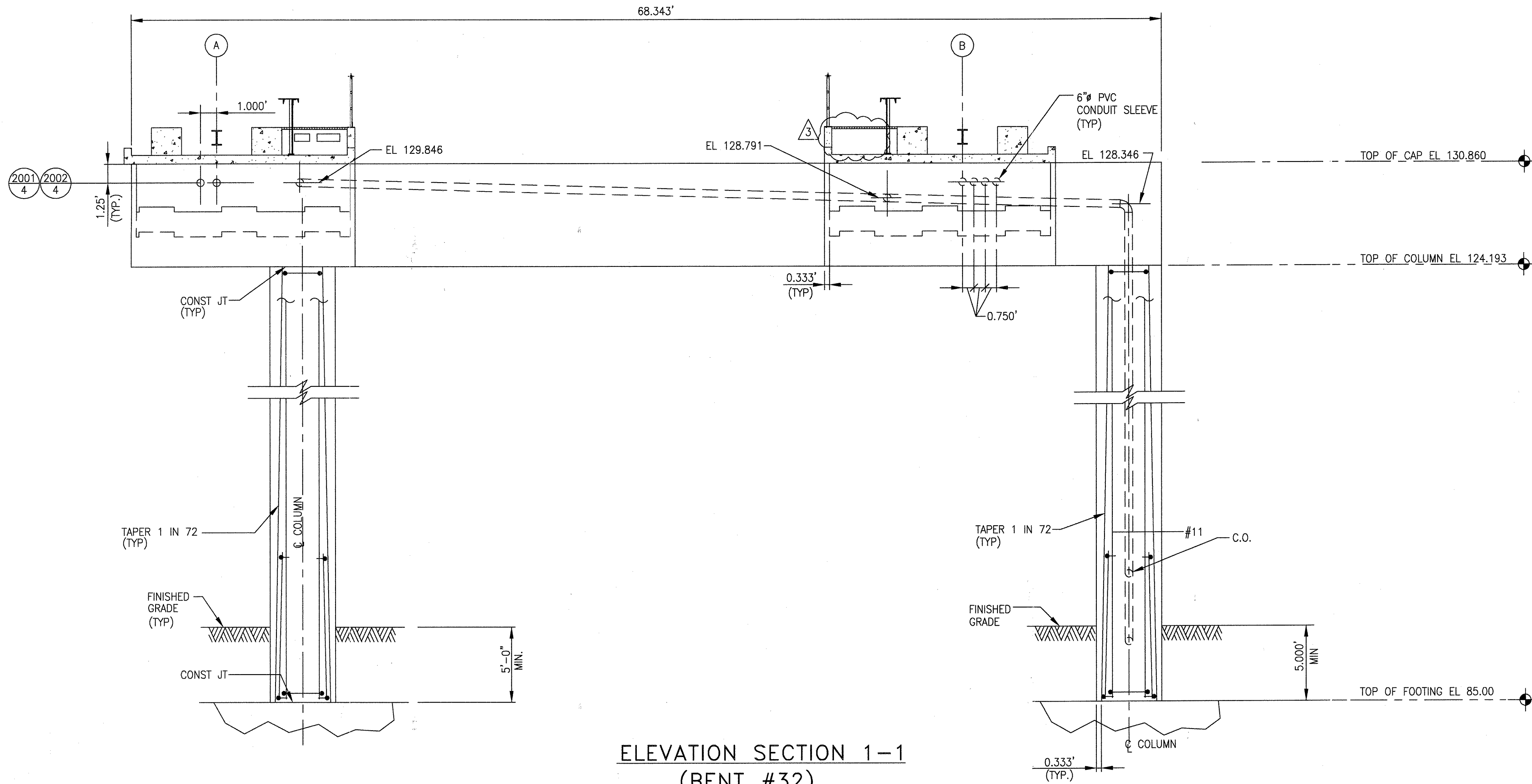
THIS DOCUMENT AND ITS CONTENTS ARE THE PROPERTY OF BOMBARDIER INC. OR ITS SUBSIDIARIES. THIS DOCUMENT CONTAINS CONFIDENTIAL PROPRIETARY INFORMATION. THE REPRODUCTION, DISTRIBUTION, UTILIZATION OR THE COMMUNICATION OF THIS DOCUMENT OR ANY PART THEREOF, WITHOUT EXPRESS AUTHORIZATION IS STRICTLY PROHIBITED. OFFENDERS WILL BE HELD LIABLE FOR THE PAYMENT OF DAMAGES.

TCN HOAB-B2065 D. 7DS873-A CHANGE	1	SIGNATURES ON FILE	2	TCN HOAB-B2065 EOM42824	2	NO CHANGE THIS SHEET ISSUE FOR CONSTRUCTION	R.D. PELKEY 4/8/03 T. NEVILLE J. CARNEVALE	3	SIGNATURES ON FILE	3	TCN HOAB-B2065 WR 2001346	3	SHEETS 1,2,3,4,5,6,7,8,9, 10,11,13,14 & 15 REVISED PER AS BUILT CONDITIONS P. CARSON 7/31/05 A. ROMEO J. CARNEVALE
---	---	--------------------	---	----------------------------	---	--	--	---	--------------------	---	------------------------------	---	--

GEOMETRIC CHARACTERISTIC SYMBOLS	
FLATNESS	▭
STRAIGHTNESS	▭
ROUNDNESS (CIRCULARITY)	○
CYLINDRICITY	○
PROFILE OF ANY LINE	—
PROFILE OF ANY SURFACE	—
PARALLELISM	▭
PERPENDICULARITY (SQUARENESS)	⊥
ANGULARITY	∠
RUNOUT	⊕
TRUE POSITION	⊕
CONCENTRICITY	⊕
SYMMETRY	⊕
MAXIMUM MATERIAL CONDITION (MMC)	⊕
REGARDLESS OF FEATURE SIZE	⊕

DFTM.	WDO/PWI	12-20-01
ENGRG.	T. NEVILLE	11-30-01
MFG.		
APPD.		
DFTG. SUPV.	J. CARNEVALE	

BOMBARDIER	
TITLE GEORGE BUSH INTERCONTINENTAL AIRPORT	
HOUSTON PHASE 2 EXTENSION	
DIMENSIONS IN INCHES SWITCH #104	
SIZE	D
DWG. NO.	6D60562
REV.	3
SCALE	1/4"=1'-0" WT.
SHEET	14



ELEVATION SECTION 1-1
(BENT #32)

THIS DOCUMENT AND ITS CONTENTS ARE THE PROPERTY OF BOMBARDIER INC. OR ITS SUBSIDIARIES. THIS DOCUMENT CONTAINS CONFIDENTIAL PROPRIETARY INFORMATION. THE REPRODUCTION, DISTRIBUTION, UTILIZATION OR THE COMMUNICATION OF THIS DOCUMENT OR ANY PART THEREOF, WITHOUT EXPRESS AUTHORIZATION IS STRICTLY PROHIBITED. OFFENDERS WILL BE HELD LIABLE FOR THE PAYMENT OF DAMAGES.

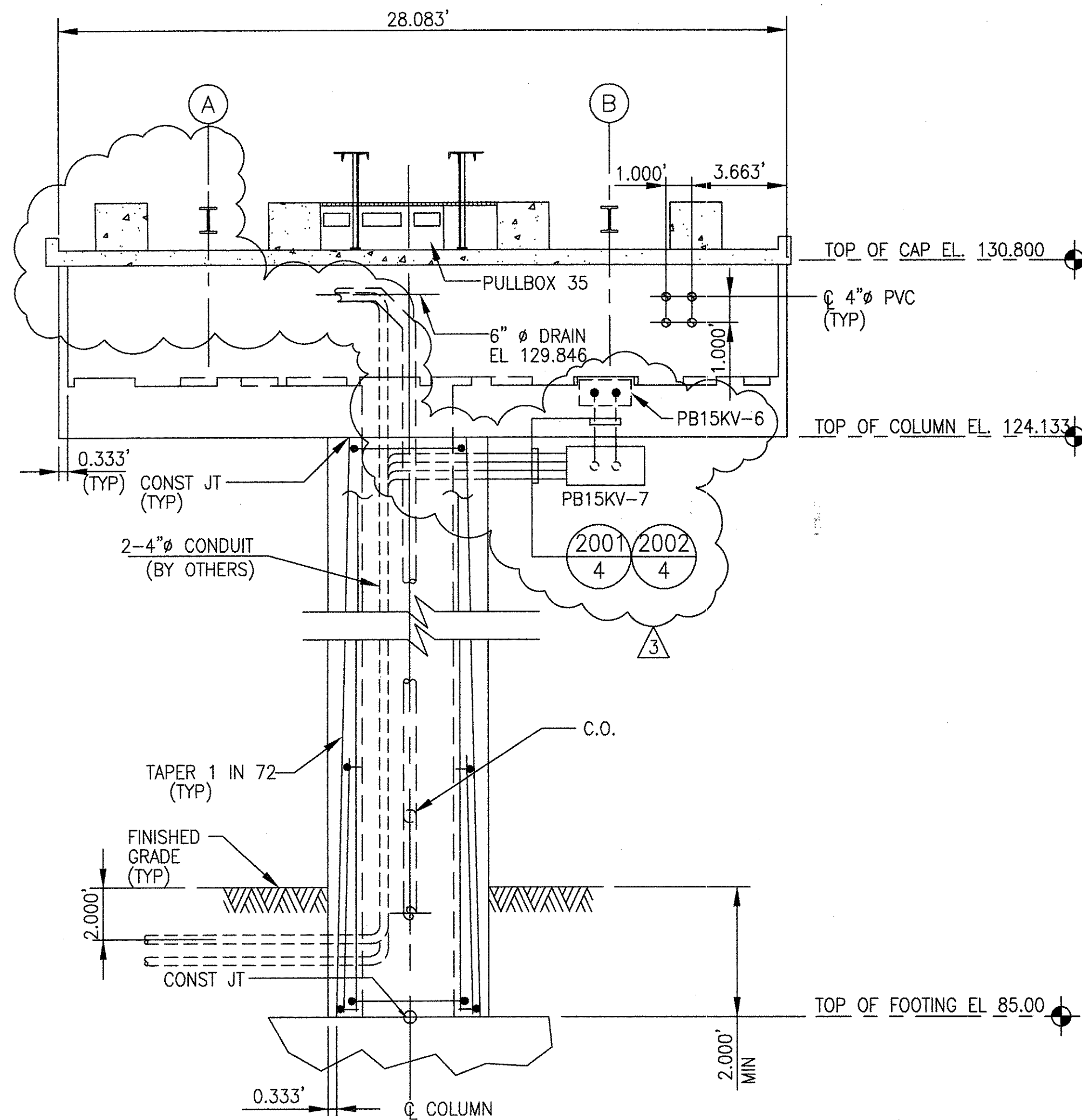
AutoCAD

1	TCN HOAB-B2065 D. 7DS873-A CHANGE	(R)	SIGNATURES ON FILE
2	TCN HOAB-B2065 EON42824	(R)	SIGNATURES ON FILE
3	TCN HOAB-B2065 WR 2001346	(R)	SIGNATURES ON FILE
SHEETS 1, 2 & 3 REVISED PER AS BUILT CONDITIONS P. CARSON 7/31/05 A. ROMEO J. CARNEVALE			

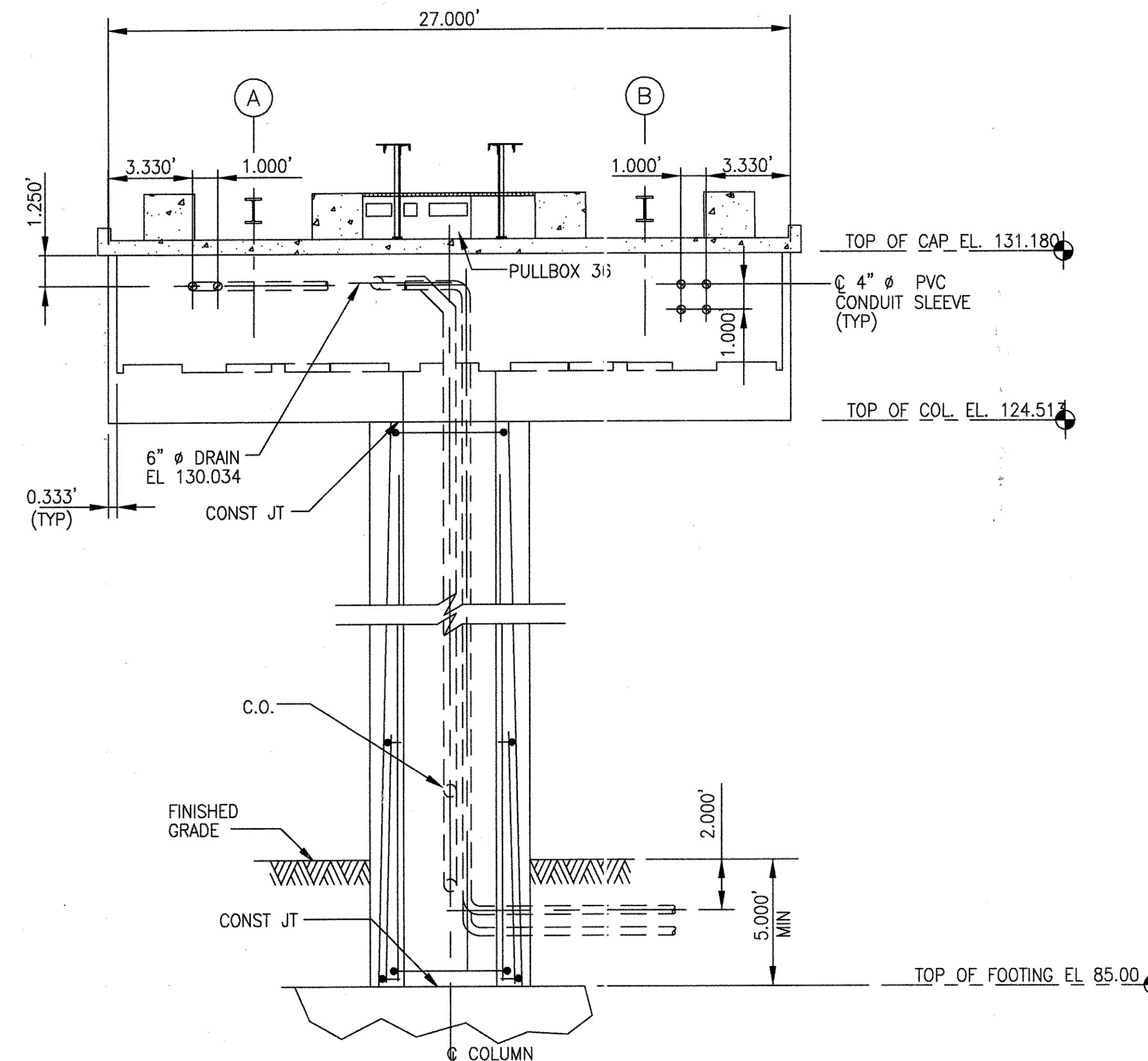
GEOMETRIC CHARACTERISTIC SYMBOLS	
FLATNESS	—
STRAIGHTNESS	—
ROUNDNESS (CIRCULARITY)	○
CYLINDRICITY	○
PROFILE OF ANY LINE	—
PROFILE OF ANY SURFACE	—
PARALLELISM	—
PERPENDICULARITY (SQUARENESS)	—
ANGULARITY	—
RUNOUT	—
TRUE POSITION	—
CONCENTRICITY	—
SYMMETRY	—
MAXIMUM MATERIAL CONDITION (MMC)	—
REGARDLESS OF FEATURE SIZE	—

DFTM.	RFE/PWI	12-20-01
CHKR.		
ENGRG.	T. NEVILLE	11-30-01
MFG.		
APPD.		
DFTG. \$UPV.	J. CARNEVALE	4/66

BOMBARDIER	
TITLE GEORGE BUSH INTERCONTINENTAL AIRPORT	
HOUSTON PHASE 2 EXTENSION	
DIMENSIONS IN GUIDEWAY SECTIONS AND DETAILS	
SIZE	DWG. NO. 6D60553
SCALE	WT.
SHEET 1 OF 3	REV. 3



ELEVATION SECTION 2-2
(BENT #35)



ELEVATION SECTION 3-3
(BENT #36)

THIS DOCUMENT AND ITS CONTENTS ARE THE PROPERTY OF BOMBARDIER INC. OR ITS SUBSIDIARIES. THIS DOCUMENT CONTAINS CONFIDENTIAL PROPRIETARY INFORMATION. THE REPRODUCTION, DISTRIBUTION, UTILIZATION OR THE COMMUNICATION OF THIS DOCUMENT OR ANY PART THEREOF, WITHOUT EXPRESS AUTHORIZATION IS STRICTLY PROHIBITED. OFFENDERS WILL BE HELD LIABLE FOR THE PAYMENT OF DAMAGES.

AutoCAD

1	TCN HOAB-B2065 D. 7DS873-A CHANGE	(R)	SIGNATURES ON FILE
2	TCN HOAB-B2065 ECN42824	(R)	SIGNATURES ON FILE
3	TCN HOAB-B2065 WR 2001346	(R)	SIGNATURES ON FILE

NO CHANGE THIS SHEET
ISSUE FOR CONSTRUCTION

R.D. PELKEY 4/8/03
T. NEVILLE
J. CARNEVALE

SHEETS 1, 2 & 3
REVISED PER AS BUILT
CONDITIONS

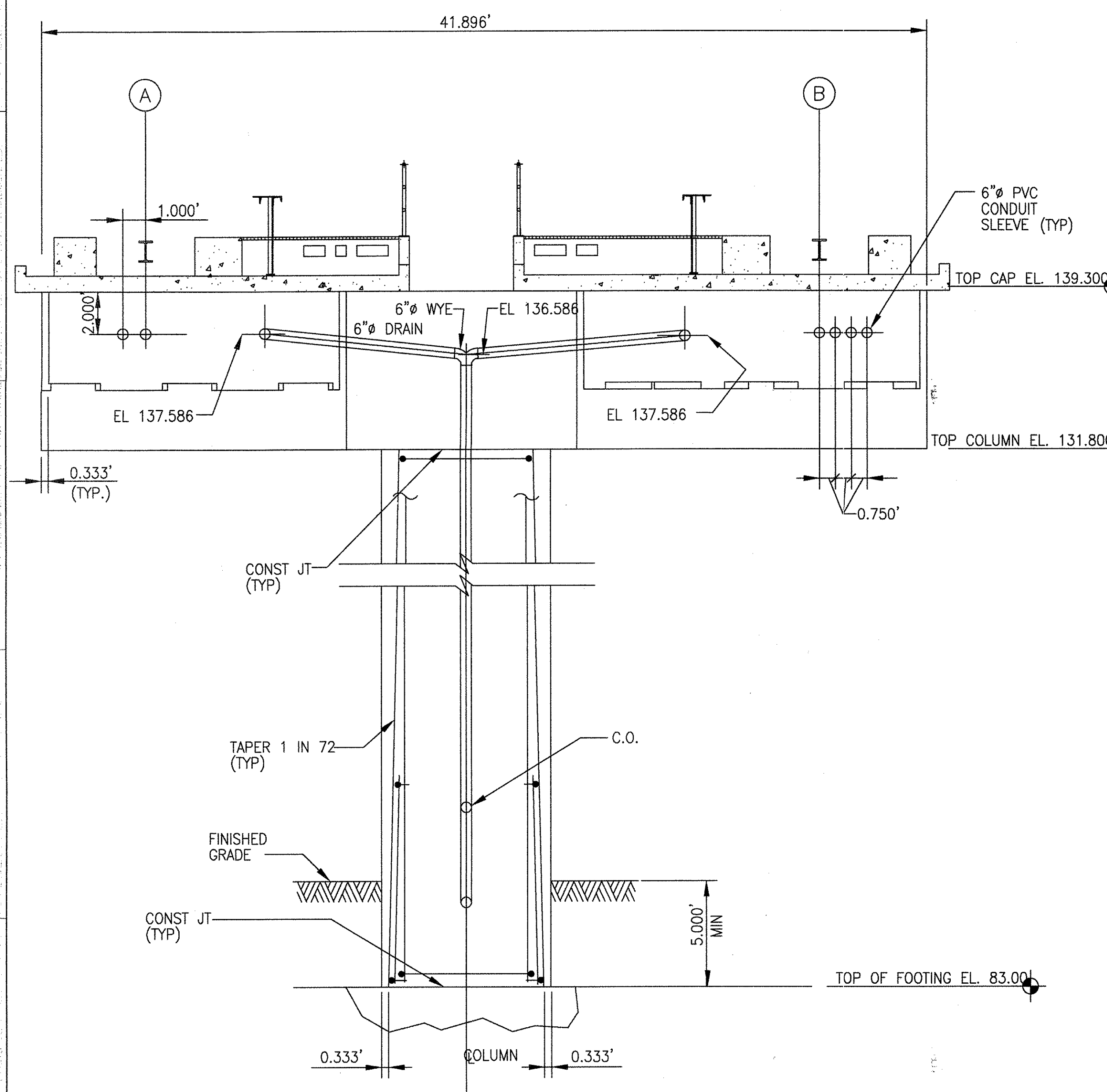
P. CARSON 7/31/05
A. ROMEO

J. CARNEVALE

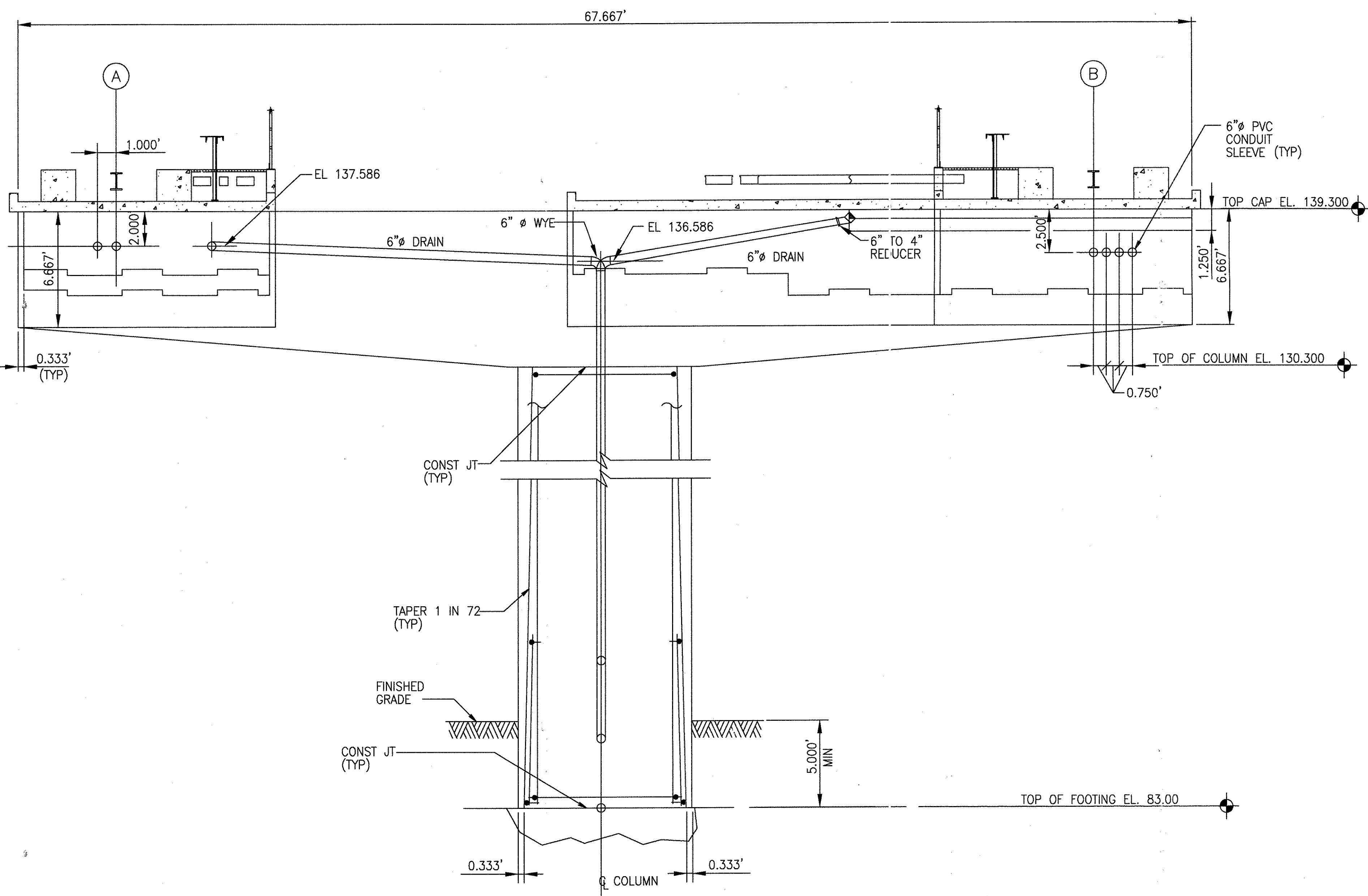
GEOMETRIC CHARACTERISTIC SYMBOLS	
FLATNESS	<input type="checkbox"/>
STRAIGHTNESS	<input type="checkbox"/>
ROUNDNESS (CIRCULARITY)	<input type="checkbox"/>
CYLINDRICITY	<input type="checkbox"/>
PROFILE OF ANY LINE	<input type="checkbox"/>
PROFILE OF ANY SURFACE	<input type="checkbox"/>
PARALLELISM	<input type="checkbox"/>
PERPENDICULARITY (SQUARENESS)	<input type="checkbox"/>
ANGULARITY	<input type="checkbox"/>
RUNOUT	<input type="checkbox"/>
TRUE POSITION	<input type="checkbox"/>
CONCENTRICITY	<input type="checkbox"/>
SYMMETRY	<input type="checkbox"/>
MAXIMUM MATERIAL CONDITION (MMC)	<input type="checkbox"/>
REGARDLESS OF FEATURE SIZE	<input type="checkbox"/>

REF. DWG. S6707, S6708	DFTM. RFE/2WI	DATE 12/21/01
CHKR.	ENGRG. T. NEVILLE	11-30-01
MFG.	APPD.	
DFTG. 1UPV. J. CARNEVALE		

BOMBARDIER	
TITLE GEORGE BUSH INTERCONTINENTAL AIRPORT	
HOUSTON PHASE 2 EXPANSION	
DIMENSIONS IN GUIDEWAY SECTIONS AND DETAILS	
SIZE D	DWG. NO. 6D60553
SCALE NONE	WT. SHEET 2
	REV. 3



ELEVATION SECTION 4-4
(BENT #41)



ELEVATION SECTION 5-5
(BENT #46)

THIS DOCUMENT AND ITS CONTENTS ARE THE PROPERTY OF BOMBARDIER INC. OR ITS SUBSIDIARIES. THIS DOCUMENT CONTAINS CONFIDENTIAL PROPRIETARY INFORMATION. THE REPRODUCTION, DISTRIBUTION, UTILIZATION OR THE COMMUNICATION OF THIS DOCUMENT OR ANY PART THEREOF, WITHOUT EXPRESS AUTHORIZATION IS STRICTLY PROHIBITED. OFFENDERS WILL BE HELD LIABLE FOR THE PAYMENT OF DAMAGES.

1	TCN HOAB-B2065 D. 7DS873-A CHANGE
2	SIGNATURES ON FILE TCN HOAB-B2065 ECN42824
3	SIGNATURES ON FILE TCN HOAB-B2065 WR 2001346

NO DRAWING CHANGE TO THIS SHEET, FORMAT CHANGE ONLY
P. CARSON 7/31/05
A. ROMEO
J. CARNEVALE

NO CHANGE THIS SHEET
ISSUE FOR CONSTRUCTION
R.D. PELKEY 4/8/03
T. NEVILLE
J. CARNEVALE

GEOMETRIC CHARACTERISTIC SYMBOLS	
FLATNESS	
STRAIGHTNESS	
ROUNDNESS (CIRCULARITY)	
CYLINDRICITY	
PROFILE OF ANY LINE	
PROFILE OF ANY SURFACE	
PARALLELISM	
PERPENDICULARITY (SQUARENESS)	
ANGULARITY	
RUNOUT	
TRUE POSITION	
CONCENTRICITY	
SYMMETRY	
MAXIMUM MATERIAL CONDITION (MMC)	
REGARDLESS OF FEATURE SIZE	

DFTM.	RFE/PWI	DATE
CHKR.		12/21/01
ENGRG.	T. NEVILLE	11-30-01
MFG.		
APPD.		
DFTG. \$UPV.	J. CARNEVALE	

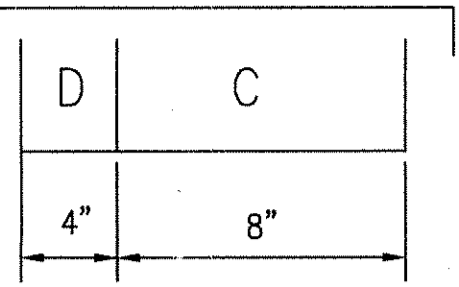
BOMBARDIER	
TITLE GEORGE BUSH INTERCONTINENTAL AIRPORT HOUSTON PHASE 2 EXPANSION	
DIMENSIONS IN GUIDEWAY SECTIONS AND DETAILS	
SIZE D	DWG. NO. 6D60553
SCALE NONE	WT. SHEET 3
REV. 3	

47

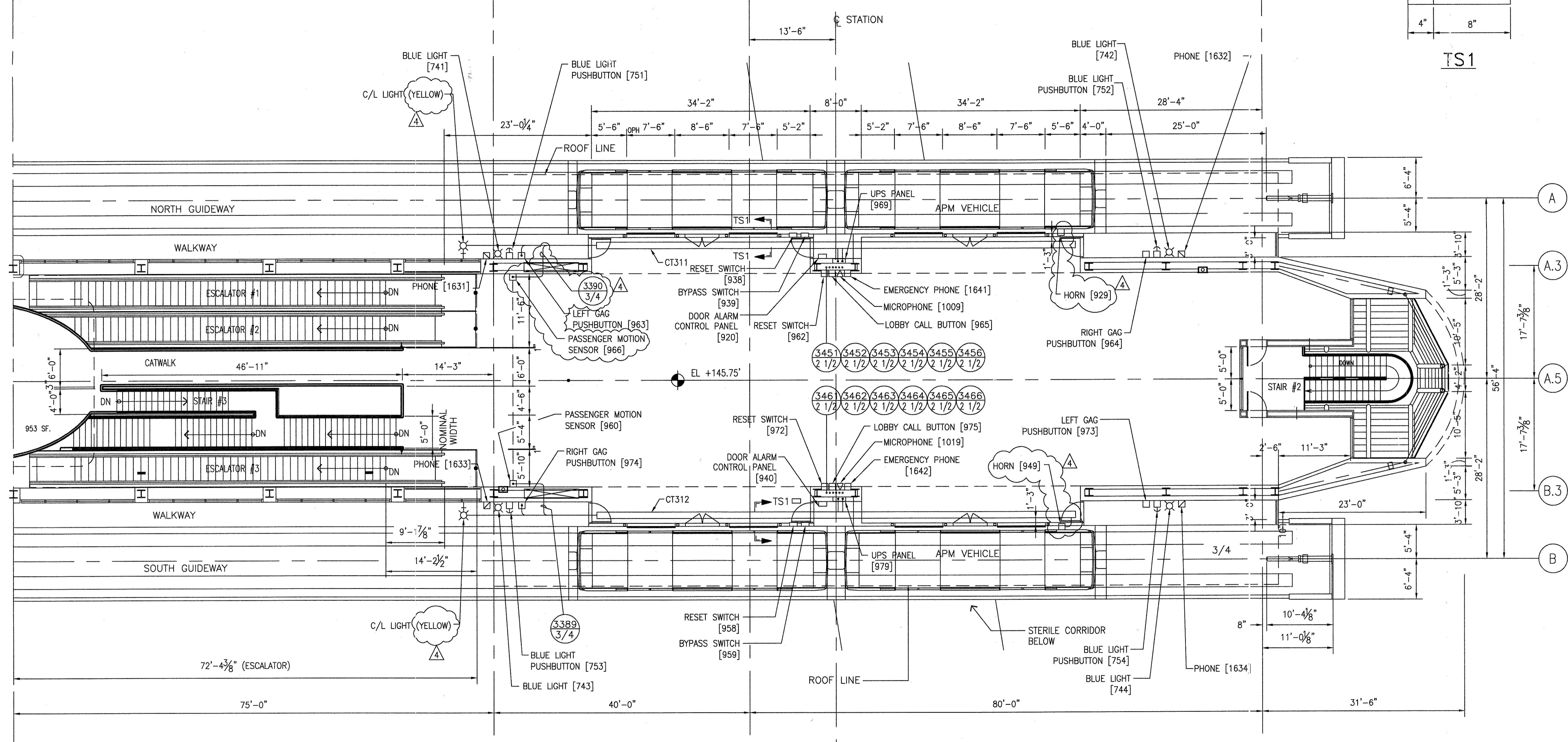
48

49

50



TS1



STATION D
PLATFORM LEVEL PLAN

THIS DOCUMENT AND ITS CONTENTS ARE THE PROPERTY OF BOMBARDIER INC. OR ITS SUBSIDIARIES. THIS DOCUMENT CONTAINS CONFIDENTIAL PROPRIETARY INFORMATION. THE REPRODUCTION, DISTRIBUTION, UTILIZATION OR THE COMMUNICATION OF THIS DOCUMENT OR ANY PART THEREOF, WITHOUT EXPRESS AUTHORIZATION IS STRICTLY PROHIBITED. OFFENDERS WILL BE HELD LIABLE FOR THE PAYMENT OF DAMAGES.

NOTE:
1. STATION DOOR CAMERAS BY OTHERS

1	SIGNATURES ON FILE
2	NO CHANGE THIS SHEET ISSUE FOR CONSTRUCTION
3	ADDED NOTE: CAMERAS OTHERS REMOVED CAMERAS FROM PLAN
4	SIGNATURES ON FILE

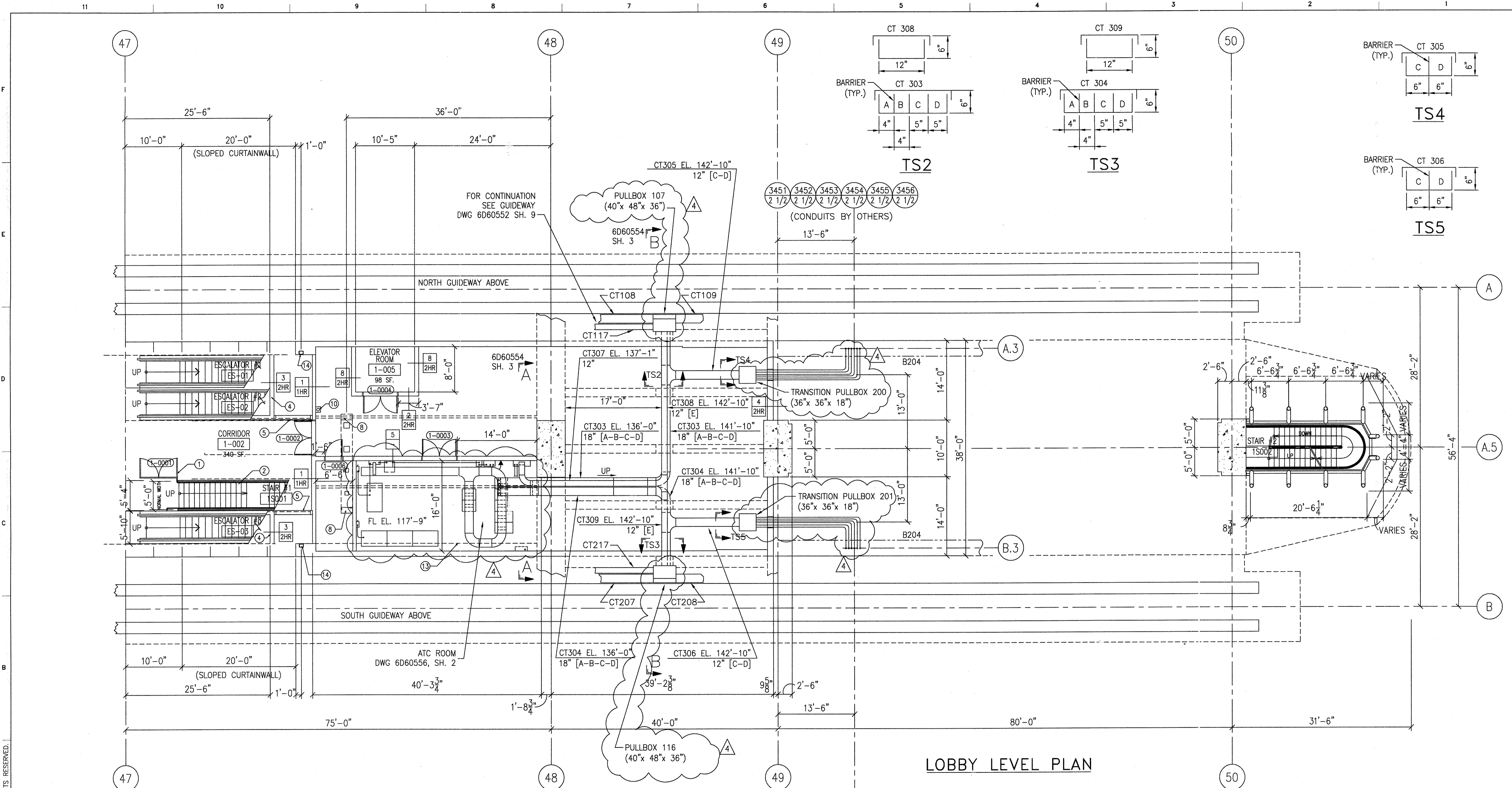
1	TCN HOAB-B2065 D. 7DS873-A
2	TCN HOAB-B2065 EON42824
3	TCN HOAB-B2065 EON42923
4	TCN HOAB-B2065 WR 2001346

1	R.D. PELKEY 4/8/03
2	T. NEVILLE 5-4-03
3	J. CARNEVALE 5-5-03
4	F. BELMARES 7-1-03
5	T. NEVILLE
6	J. CARNEVALE
7	P. CARSON 7/31/05
8	A. ROMEO
9	J. CARNEVALE

1	FLATNESS	□
2	STRAIGHTNESS	—
3	ROUNDNESS (CIRCULARITY)	○
4	CYLINDRICITY	⊘
5	PROFILE OF ANY LINE	—
6	PROFILE OF ANY SURFACE	—
7	PARALLELISM	∥
8	PERPENDICULARITY (SQUARENESS)	⊥
9	ANGULARITY	∠
10	RUNOUT	⊖
11	TRUE POSITION	⊕
12	CONCENTRICITY	⊙
13	SYMMETRY	⊞
14	MAXIMUM MATERIAL CONDITION (MMC)	Ⓜ
15	REGARDLESS OF FEATURE SIZE	Ⓛ

DFTM.	WDO/PWI	12-24-01
ENGRG.	T. NEVILLE	11-28-01
MFG.		
APPD.		
DFTG. SUPV.	J. CARNEVALE	

BOMBARDIER	
TITLE GEORGE BUSH INTERCONTINENTAL AIRPORT	
HOUSTON PHASE 2 EXTENSION	
DIMENSIONS IN STATION D PLANS	
SIZE	D
DWG. NO.	6D60554
REV.	4
SCALE	1/8"=1'-0" WT.
SHEET	1 OF 3



LOBBY LEVEL PLAN

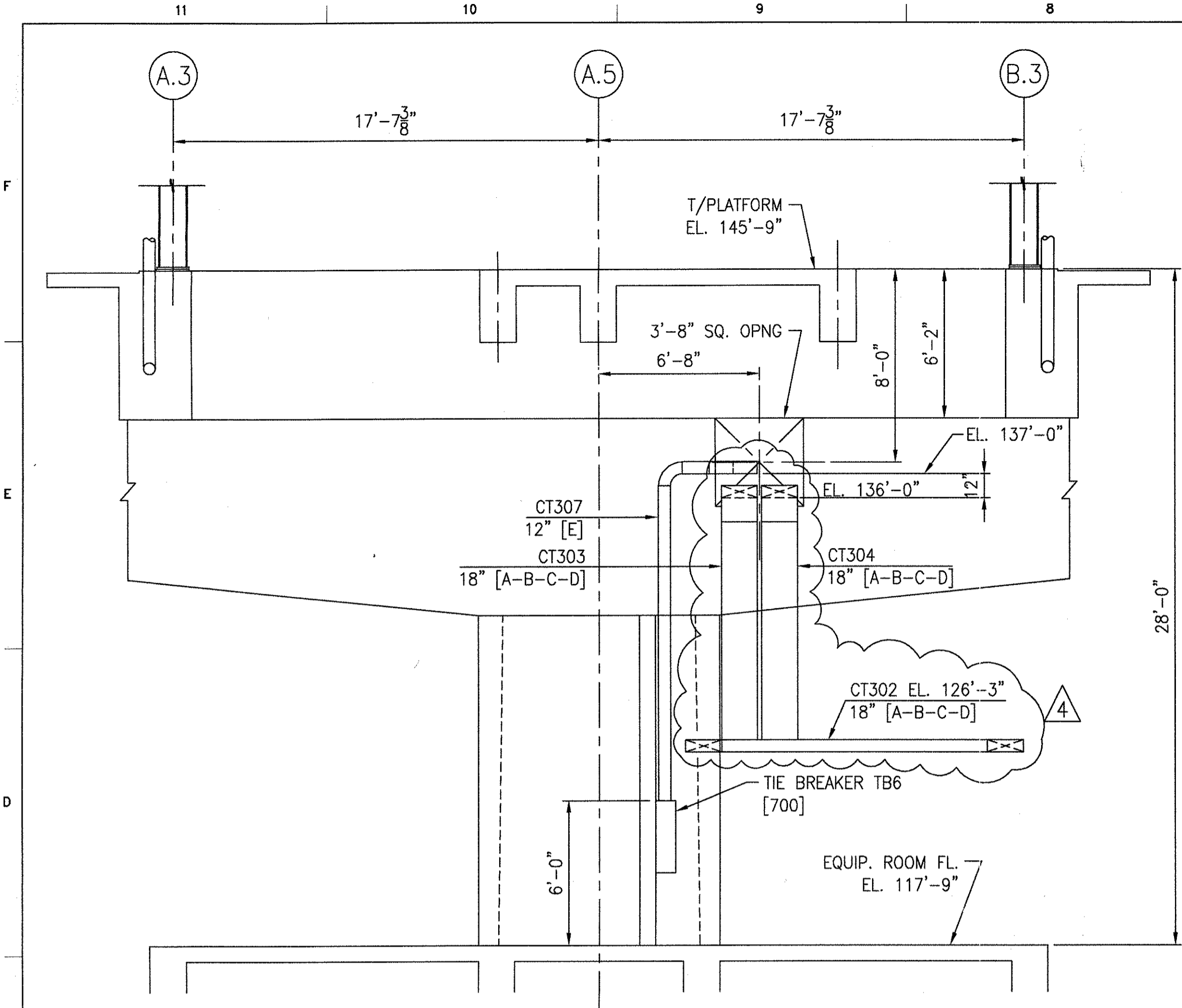
THIS DOCUMENT AND ITS CONTENTS ARE THE PROPERTY OF BOMBARDIER INC. OR ITS SUBSIDIARIES. THIS DOCUMENT CONTAINS CONFIDENTIAL PROPRIETARY INFORMATION. THE REPRODUCTION, DISTRIBUTION, UTILIZATION OR THE COMMUNICATION OF THIS DOCUMENT OR ANY PART THEREOF, WITHOUT EXPRESS AUTHORIZATION IS STRICTLY PROHIBITED. OFFENDERS WILL BE HELD LIABLE FOR THE PAYMENT OF DAMAGES.

TCN HOAB-B2065 D. 7DS873-A CHANGE	1	SIGNATURES ON FILE
TCN HOAB-B2065 ECM42824	2	REVISED ATC ROOM ISSUE FOR CONSTRUCTION R.D. PELKEY 4/8/03 T. NEVILLE 5-4-03 J. CARNEVALE 5-5-03
TCN HOAB-B2065 ECM42923	3	NO CHANGES THIS SHIT. SEE SHIT. 1 F. BELMARES 7-1-03 T. NEVILLE J. CARNEVALE
TCN HOAB-B2065 WR 2001346	4	SHEETS 1, 2 & 3 REVISED PER AS BUILT CONDITIONS P. CARSON 7/31/05 A. ROMEO J. CARNEVALE

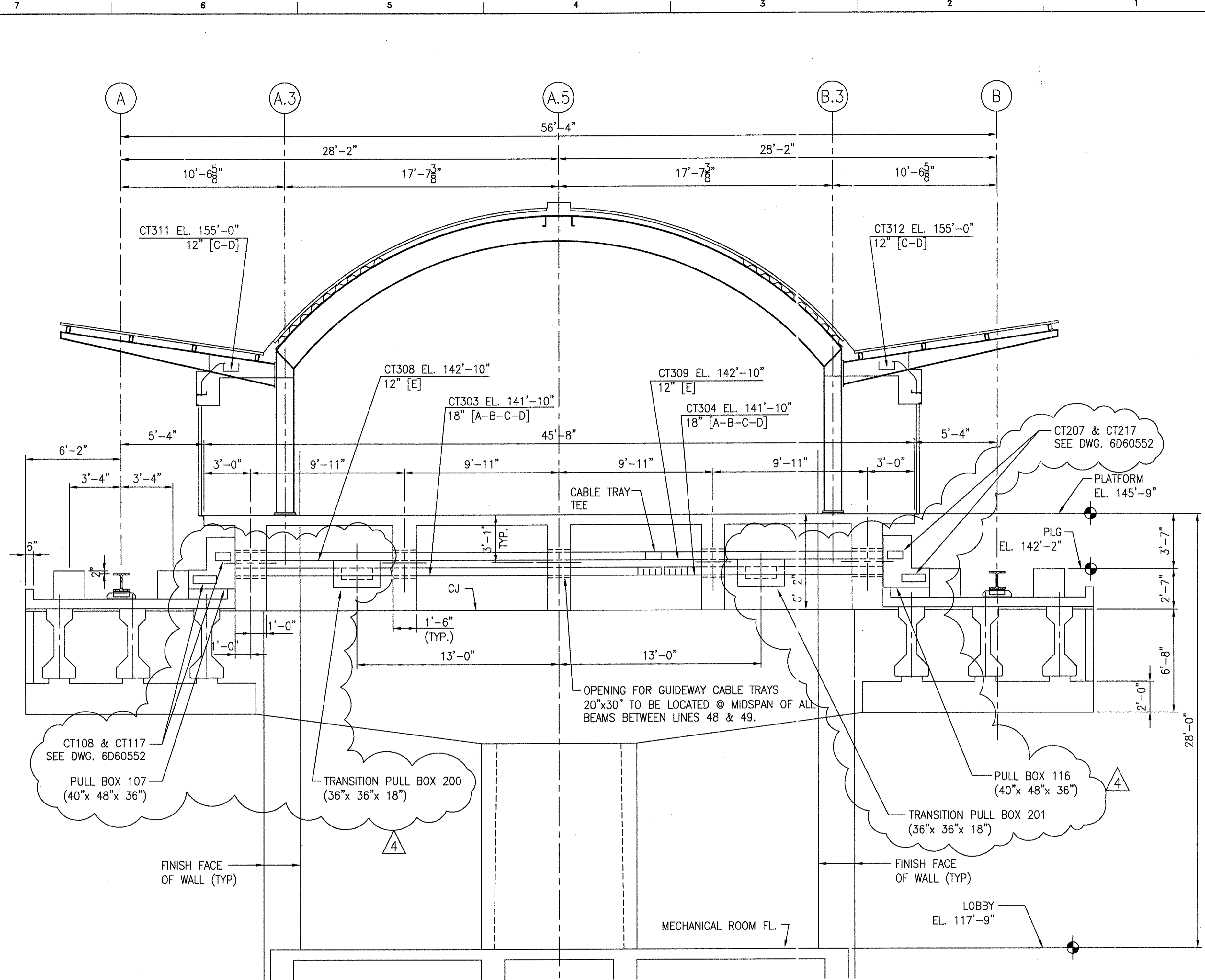
GEOMETRIC CHARACTERISTIC SYMBOLS	
FLATNESS	—
STRAIGHTNESS	—
ROUNDNESS (CIRCULARITY)	○
CYLINDRICITY	○
PROFILE OF ANY LINE	—
PROFILE OF ANY SURFACE	—
PARALLELISM	—
PERPENDICULARITY (SQUARENESS)	—
ANGULARITY	—
RUNOUT	—
TRUE POSITION	—
CONCENTRICITY	—
SYMMETRY	—
MAXIMUM MATERIAL CONDITION (MMC)	—
REGARDLESS OF FEATURE SIZE	—

DFTM.	WDO/PWI	DATE	12-24-01
ENGRG.	T. NEVILLE	11-29-01	
APPD.	J. CARNEVALE		

BOMBARDIER	
TITLE GEORGE BUSH INTERCONTINENTAL AIRPORT HOUSTON PHASE 2 EXTENSION STATION D PLANS	
DWG. NO.	6D60554
REV.	4
SCALE	1/8"=1'-0" WT.
SHEET	2



SECTION A-A



SECTION B-B

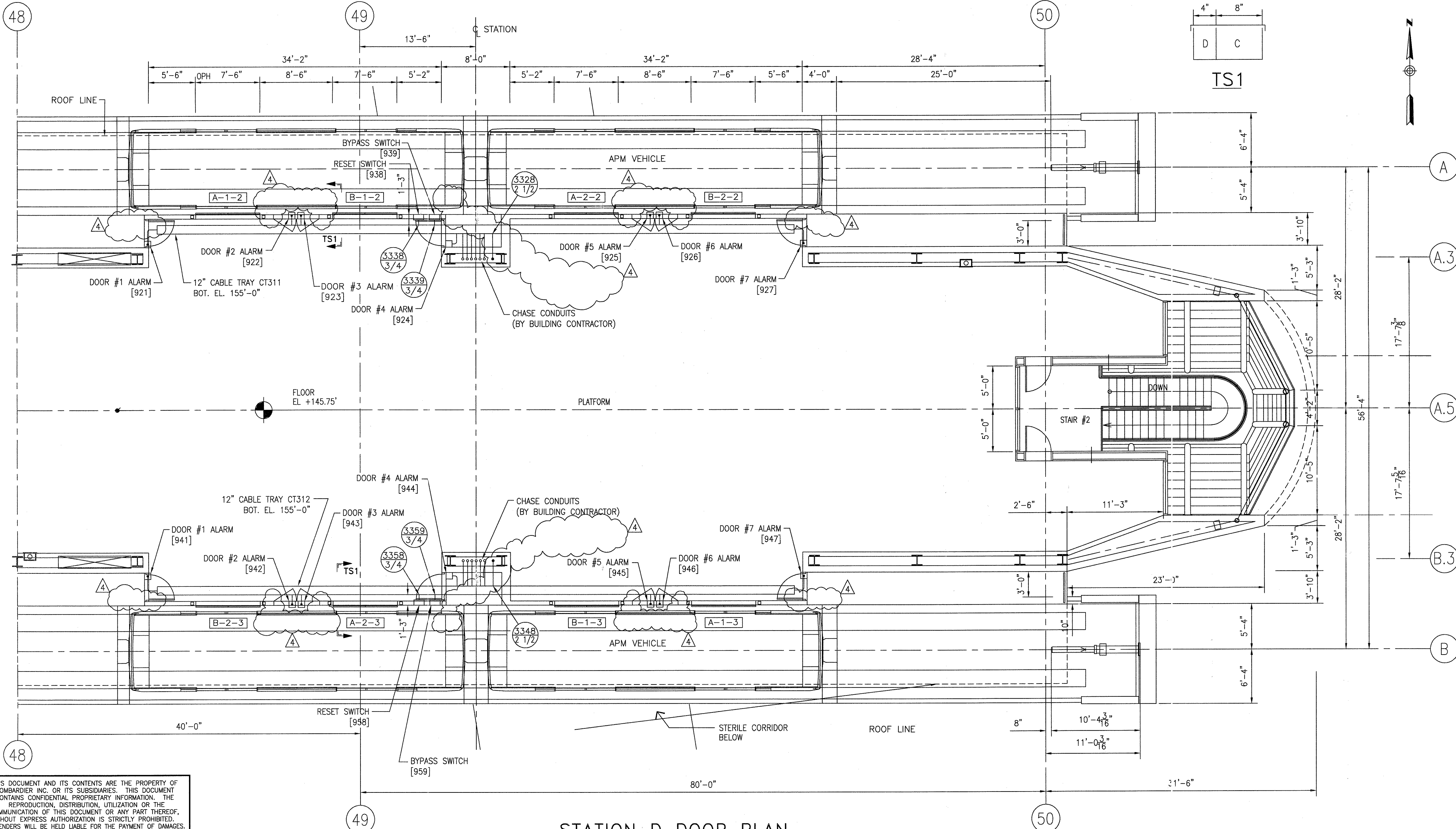
THIS DOCUMENT AND ITS CONTENTS ARE THE PROPERTY OF BOMBARDIER INC. OR ITS SUBSIDIARIES. THIS DOCUMENT CONTAINS CONFIDENTIAL PROPRIETARY INFORMATION. THE REPRODUCTION, DISTRIBUTION, UTILIZATION OR THE COMMUNICATION OF THIS DOCUMENT OR ANY PART THEREOF, WITHOUT EXPRESS AUTHORIZATION IS STRICTLY PROHIBITED. OFFENDERS WILL BE HELD LIABLE FOR THE PAYMENT OF DAMAGES.

TCN HOAB-B2065	1	7DS873-A	CHANGE
SIGNATURES ON FILE			
TCN HOAB-B2065	2	ECM42824	
NO CHANGE THIS SHEET			
ISSUE FOR CONSTRUCTION			
R.D. PELKEY 4/8/03			
T. NEVILLE 5-4-03			
J. CARNEVALE 5-5-03			
SIGNATURES ON FILE			
TCN HOAB-B2065	3	ECM42923	
NO CHANGES THIS SHT.			
SEE SHT. 1			
F. BELMARES 7-1-03			
T. NEVILLE			
J. CARNEVALE			
SIGNATURES ON FILE			
TCN HOAB-B2065	4	WR 2001346	
SHEETS 1, 2 & 3			
REVISED PER AS BUILT			
CONDITIONS			
P. CARSON 7/31/05			
A. ROMEO			
J. CARNEVALE			

GEOMETRIC CHARACTERISTIC SYMBOLS	
FLATNESS	—
STRAIGHTNESS	—
ROUNDNESS (CIRCULARITY)	○
CYLINDRICITY	○
PROFILE OF ANY LINE	—
PROFILE OF ANY SURFACE	—
PARALLELISM	—
PERPENDICULARITY (SQURENESS)	—
ANGULARITY	—
RUNOUT	—
TRUE POSITION	—
CONCENTRICITY	—
SYMMETRY	—
MAXIMUM MATERIAL CONDITION (MMC)	—
REGARDLESS OF FEATURE SIZE	—

DFTM.	WDO/PWI	DATE	12-24-01
CHKR.			
ENGRG.	T. NEVILLE	DATE	12-3-01
MFG.			
APPD.			
DFTG. & UPV.	J. CARNEVALE		

BOMBARDIER			
TITLE			
GEORGE BUSH INTERCONTINENTAL AIRPORT			
HOUSTON PHASE 2 EXPANSION			
STATION D SECTIONS / DETAILS			
DIMENSIONS IN		DWG. NO.	REV.
D		6D60554	4
SCALE 1/4"=1'-0" WT.		SHEET	3



STATION D DOOR PLAN

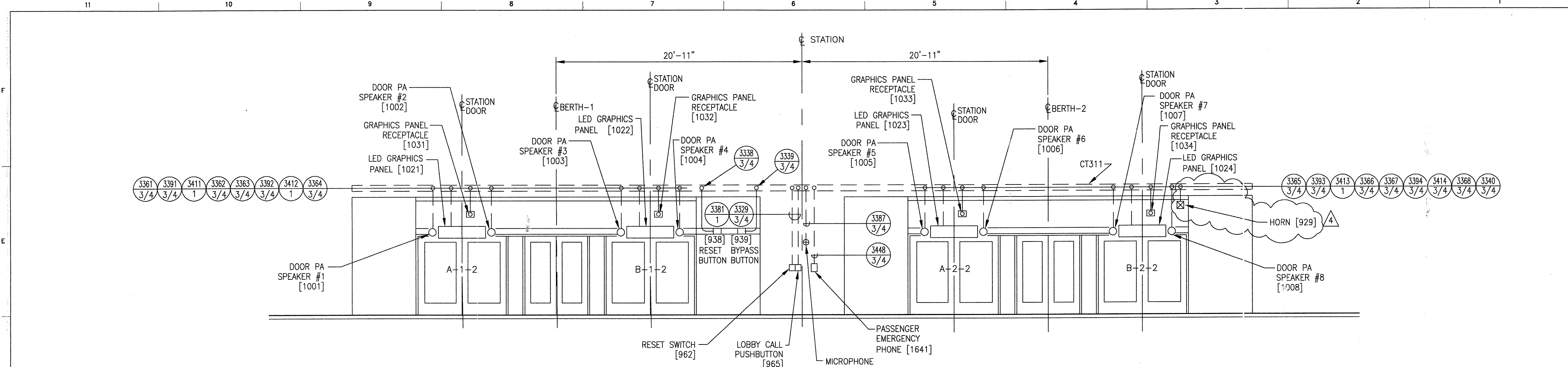
THIS DOCUMENT AND ITS CONTENTS ARE THE PROPERTY OF BOMBARDIER INC. OR ITS SUBSIDIARIES. THIS DOCUMENT CONTAINS CONFIDENTIAL PROPRIETARY INFORMATION. THE REPRODUCTION, DISTRIBUTION, UTILIZATION OR THE COMMUNICATION OF THIS DOCUMENT OR ANY PART THEREOF, WITHOUT EXPRESS AUTHORIZATION IS STRICTLY PROHIBITED. OFFENDERS WILL BE HELD LIABLE FOR THE PAYMENT OF DAMAGES.

TCN HOAB-B2065 D. 7DS873-A CHANGE	1	SIGNATURES ON FILE
TCN HOAB-B2065 ECN42824	2	SIGNATURES ON FILE
NO CHANGE THIS SHEET ISSUE FOR CONSTRUCTION R.D. PELKEY 4/8/03 T. NEVILLE J. CARNEVALE	3	SIGNATURES ON FILE
REVISED SOUTH GUIDEWAY DOOR BERTH NUMBERS G. PALCHAT 02/05/04 T. NEVILLE J. CARNEVALE	4	SIGNATURES ON FILE
TCN HOAB-B2065 WR 2001346 SHEETS 1, 2 & 3 REVISED PER AS BUILT CONDITIONS P. CARSON 7/31/05 A. ROMEO J. CARNEVALE		

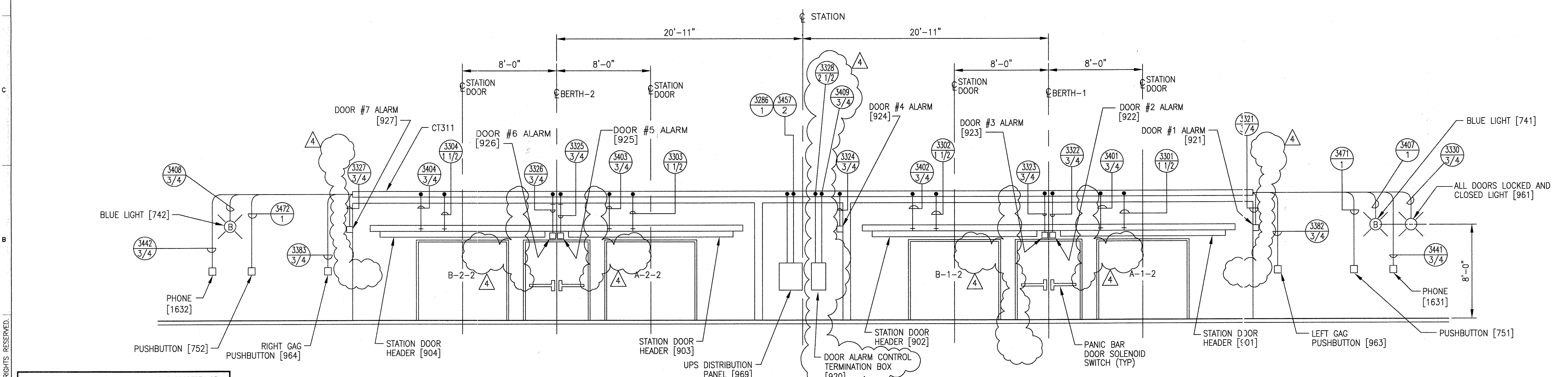
GEOMETRIC CHARACTERISTIC SYMBOLS	
FLATNESS	▭
STRAIGHTNESS	▬
ROUNDNESS (CIRCULARITY)	○
CYLINDRICITY	⊘
PROFILE OF ANY LINE	⊖
PROFILE OF ANY SURFACE	⊖
PARALLELISM	∥
PERPENDICULARITY (SQUARENESS)	⊥
ANGULARITY	∠
RUNOUT	⊖
TRUE POSITION	⊕
CONCENTRICITY	⊕
SYMMETRY	⊕
MAXIMUM MATERIAL CONDITION (MMC)	Ⓜ
REGARDLESS OF FEATURE SIZE	Ⓜ

DFTM.	F. BELMARES	DATE	1-19-02
CHKR.			
ENGRG.	T. NEVILLE		
MFG.			
APPD.			
DFTG. SUPV.	J. CARNEVALE		

BOMBARDIER	
TITLE GEORGE BUSH INTERCONTINENTAL AIRPORT	
HOUSTON PHASE 2 EXTENSION	
STATION D DOOR	
DIMENSIONS IN	DWS. NO.
SIZE D	6D60555
SCALE 3/16"=1'-0" WT.	REV. 4
SHEET 1 OF 3	



NORTH GUIDEWAY - PLATFORM
LOOKING FROM LOBBY



NORTH GUIDEWAY - PLATFORM
LOOKING FROM VEHICLE

THIS DOCUMENT AND ITS CONTENTS ARE THE PROPERTY OF BOMBARDIER INC. OR ITS SUBSIDIARIES. THIS DOCUMENT CONTAINS CONFIDENTIAL PROPRIETARY INFORMATION. THE REPRODUCTION, DISTRIBUTION, UTILIZATION OR THE COMMUNICATION OF THIS DOCUMENT OR ANY PART THEREOF, WITHOUT EXPRESS AUTHORIZATION IS STRICTLY PROHIBITED. OFFENDERS WILL BE HELD LIABLE FOR THE PAYMENT OF DAMAGES.

AutoCAD

1	TCN HOAB-B2065 D. 7DS873-A CHANGE
2	SIGNATURES ON FILE TON HOAB-B2065 ECN42824
3	SIGNATURES ON FILE TON HOAB-B2065 ECN 60217
4	SIGNATURES ON FILE TON HOAB-B2065 WR 2001346

NO CHANGE THIS SHEET
ISSUE FOR CONSTRUCTION
R.D. PELKEY 4/8/03
T. NEVILLE
J. CARNEVALE

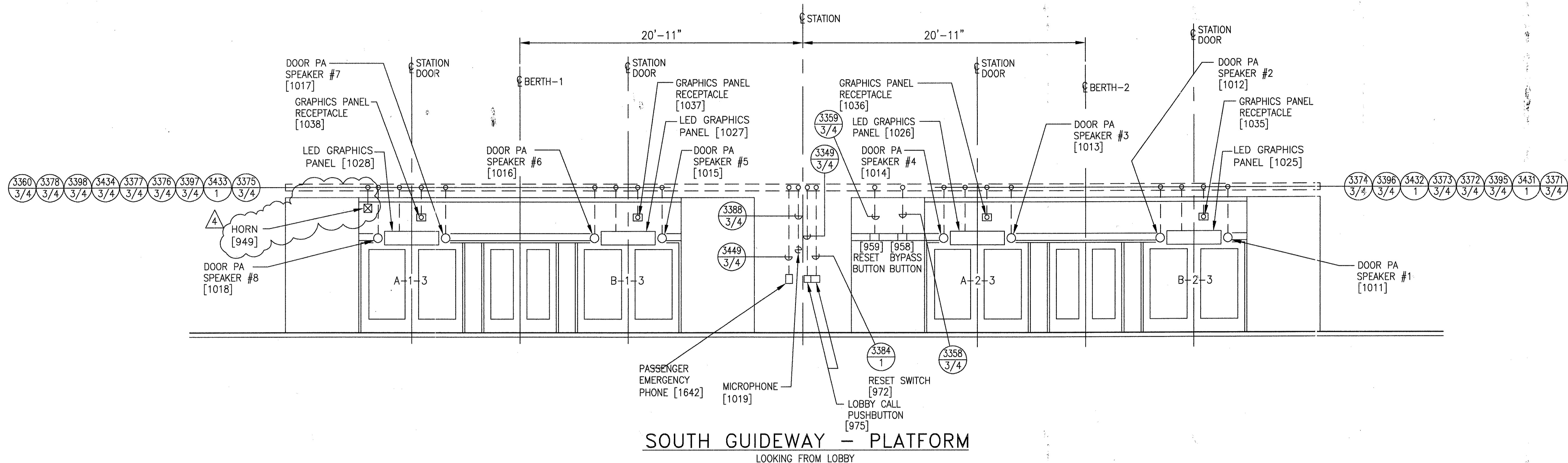
NO CHANGE THIS SHEET
G.PALCHAT 02/05/04
T. NEVILLE
J. CARNEVALE

SHEETS 1, 2 & 3
REVISED PER AS BUILT
CONDITIONS
P. CARSON 7/31/05
A. ROMEO
J. CARNEVALE

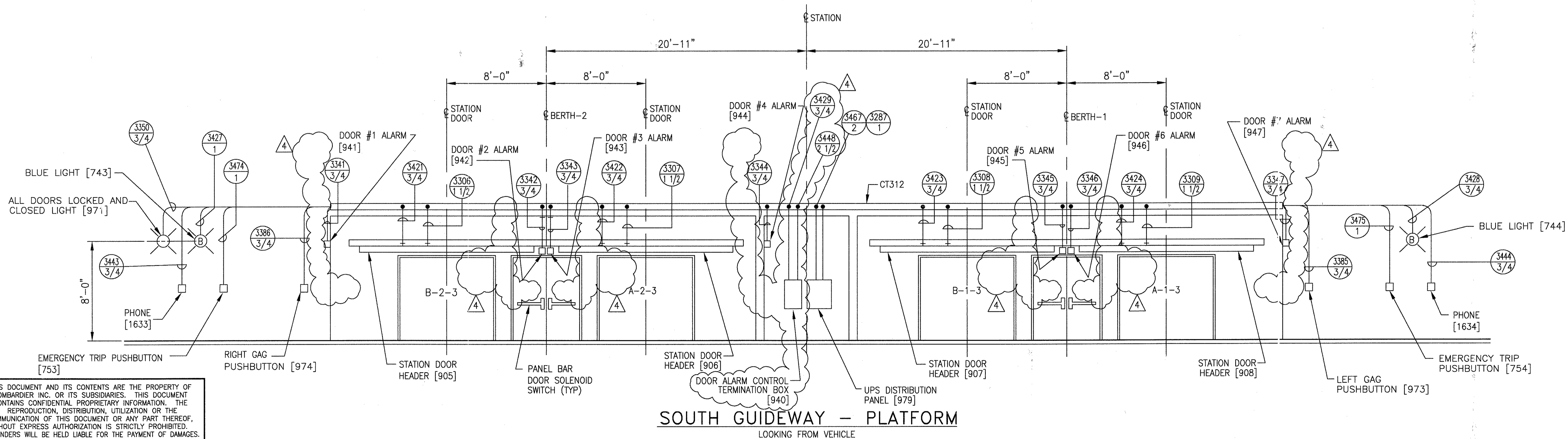
GEOMETRIC CHARACTERISTIC SYMBOLS	
FLATNESS	⏊
STRAIGHTNESS	—
ROUNDNESS (CIRCULARITY)	⊘
CYLINDRICITY	⊘
PROFILE OF ANY LINE	⊘
PROFILE OF ANY SURFACE	⊘
PARALLELISM	∥
PERPENDICULARITY (SQUARENESS)	⊥
ANGULARITY	∠
RUNOUT	⊘
TRUE POSITION	⊕
CONCENTRICITY	⊕
SYMMETRY	⊕
MAXIMUM MATERIAL CONDITION (MMC)	Ⓜ
REGARDLESS OF FEATURE SIZE	Ⓜ

DFTM. RFE/PWI	DATE 01-02-02
ENGRG. T. NEVILLE	
MFG.	
APPD.	
DFTG. SUPV. J. CARNEVALE	

BOMBARDIER	
TITLE GEORGE BUSH INTERCONTINENTAL AIRPORT	
HOUSTON PHASE 2 EXTENSION	
DIMENSIONS IN INCHES STATION D (NORTH GUIDEWAY) DOORS	
SIZE D	DWG. NO. 6D60555
SCALE 1/4"=1'-0"	REV. 4
SHEET 2	



SOUTH GUIDEWAY - PLATFORM
LOOKING FROM LOBBY



SOUTH GUIDEWAY - PLATFORM
LOOKING FROM VEHICLE

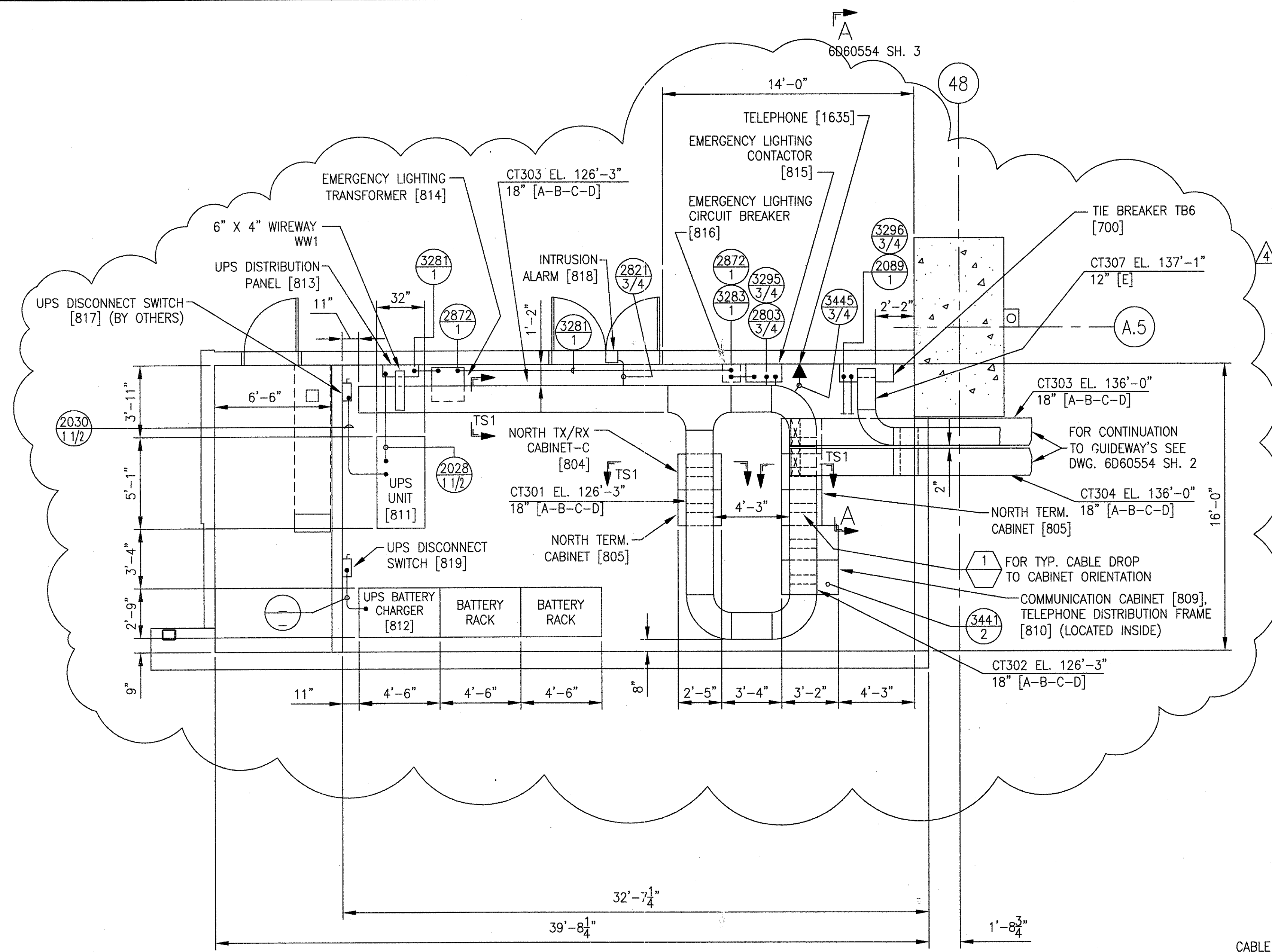
THIS DOCUMENT AND ITS CONTENTS ARE THE PROPERTY OF BOMBARDIER INC. OR ITS SUBSIDIARIES. THIS DOCUMENT CONTAINS CONFIDENTIAL PROPRIETARY INFORMATION. THE REPRODUCTION, DISTRIBUTION, UTILIZATION OR THE COMMUNICATION OF THIS DOCUMENT OR ANY PART THEREOF, WITHOUT EXPRESS AUTHORIZATION IS STRICTLY PROHIBITED. OFFENDERS WILL BE HELD LIABLE FOR THE PAYMENT OF DAMAGES.

1	CHANGES	
1	SIGNATURES ON FILE	
2	TCN HOAB-B2065 ECN42824	
3	NO CHANGE THIS SHEET ISSUE FOR CONSTRUCTION	
4	R.D. PELKEY 4/8/03 T. NEVILLE J. CARNEVALE	
5	SIGNATURES ON FILE	
6	TCN HOAB-B2065 ECN 60217	
7	REVISED SOUTH GUIDEWAY DOOR BERTH NUMBERS	
8	G.PALICHAT 02/05/04 T. NEVILLE J. CARNEVALE	
9	SIGNATURES ON FILE	
10	TCN HOAB-B2065 WR 2001346	
11	SHEETS 1, 2 & 3 REVISED PER AS BUILT CONDITIONS	
12	P. CARSON 7/31/05 A. ROMEO J. CARNEVALE	

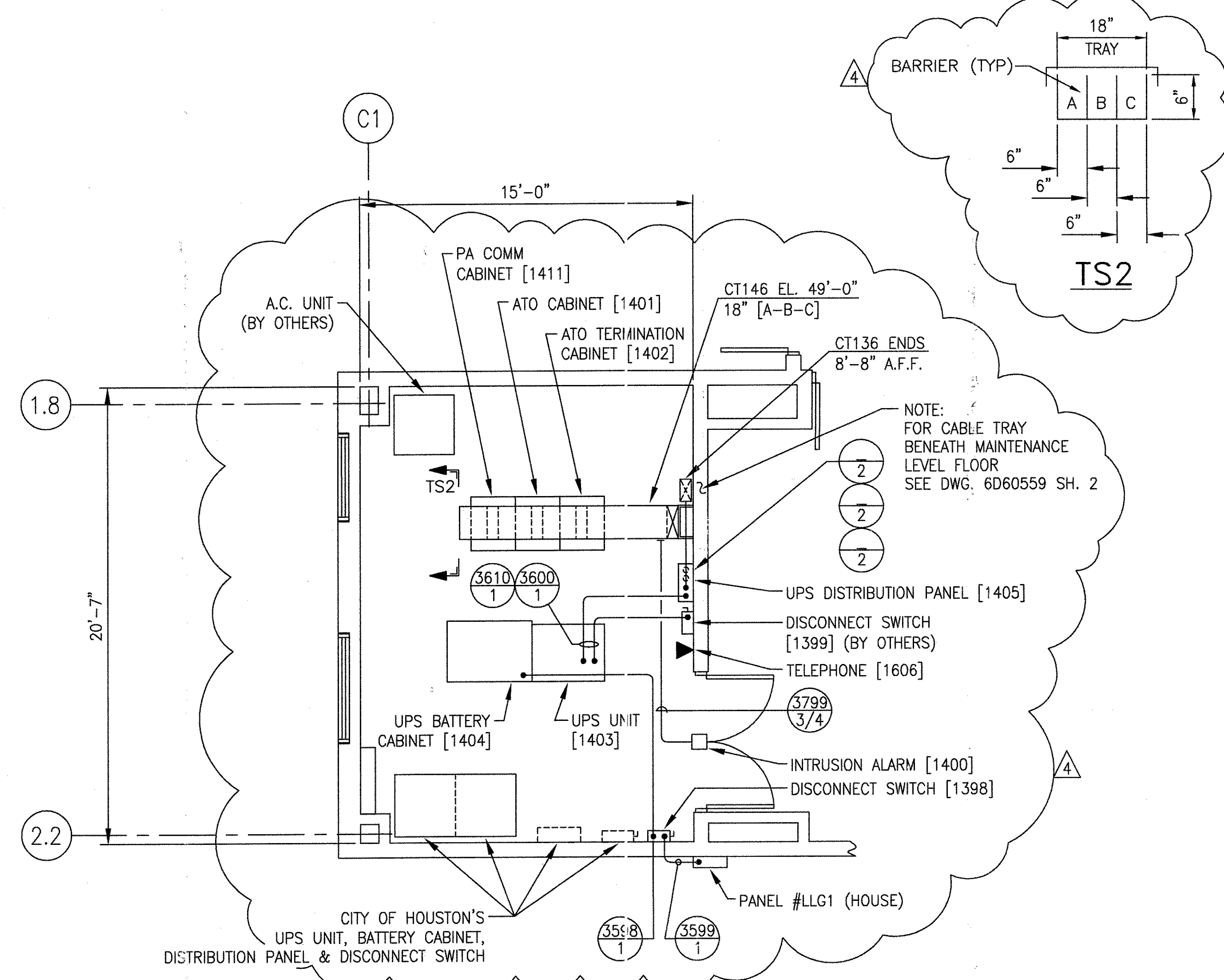
GEOMETRIC CHARACTERISTIC SYMBOLS	
FLATNESS	⊥
STRAIGHTNESS	—
ROUNDNESS (CIRCULARITY)	⊙
CYLINDRICITY	⊘
PROFILE OF ANY LINE	⌒
PROFILE OF ANY SURFACE	⌒
PARALLELISM	∥
PERPENDICULARITY (SQUARENESS)	⊥
ANGULARITY	∠
RUNOUT	⊖
TRUE POSITION	⊕
CONCENTRICITY	⊙
SYMMETRY	⊙
MAXIMUM MATERIAL CONDITION (MMC)	Ⓜ
REGARDLESS OF FEATURE SIZE	Ⓜ

DFTM.	RFE/PWI	DATE
CHKR.		01/02/02
ENGRG.	T. NEVILLE	
MFG.		
APPD.		
DFTG. SUPPLY.	J. CARNEVALE	

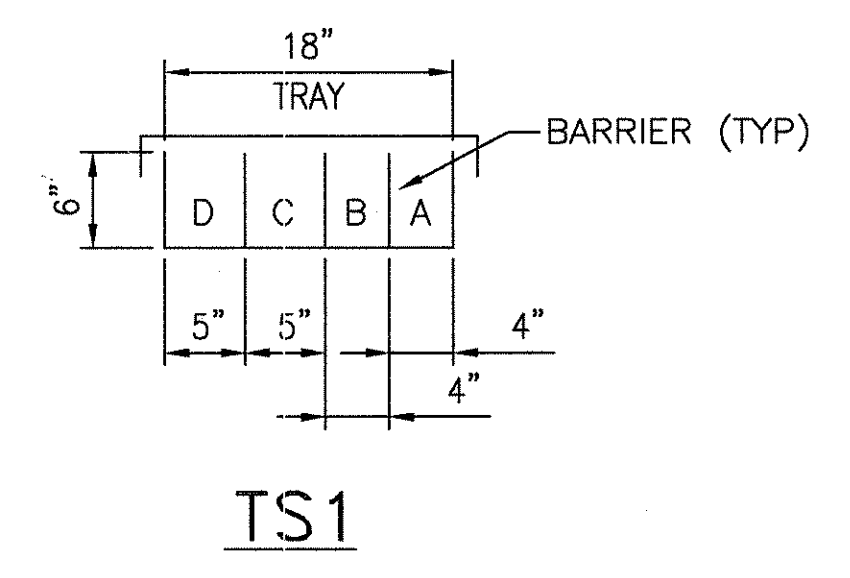
BOMBARDIER	
TITLE GEORGE BUSH INTERCONTINENTAL AIRPORT	
HOUSTON PHASE 2 EXTENSION	
STATION (SOUTH GUIDEWAY) DOORS	
DIMENSIONS IN INCHES	
SIZE D	DWG. NO. 6D60555
SCALE 1/4"=1'-0" WT.	REV. 4
SHEET 3	



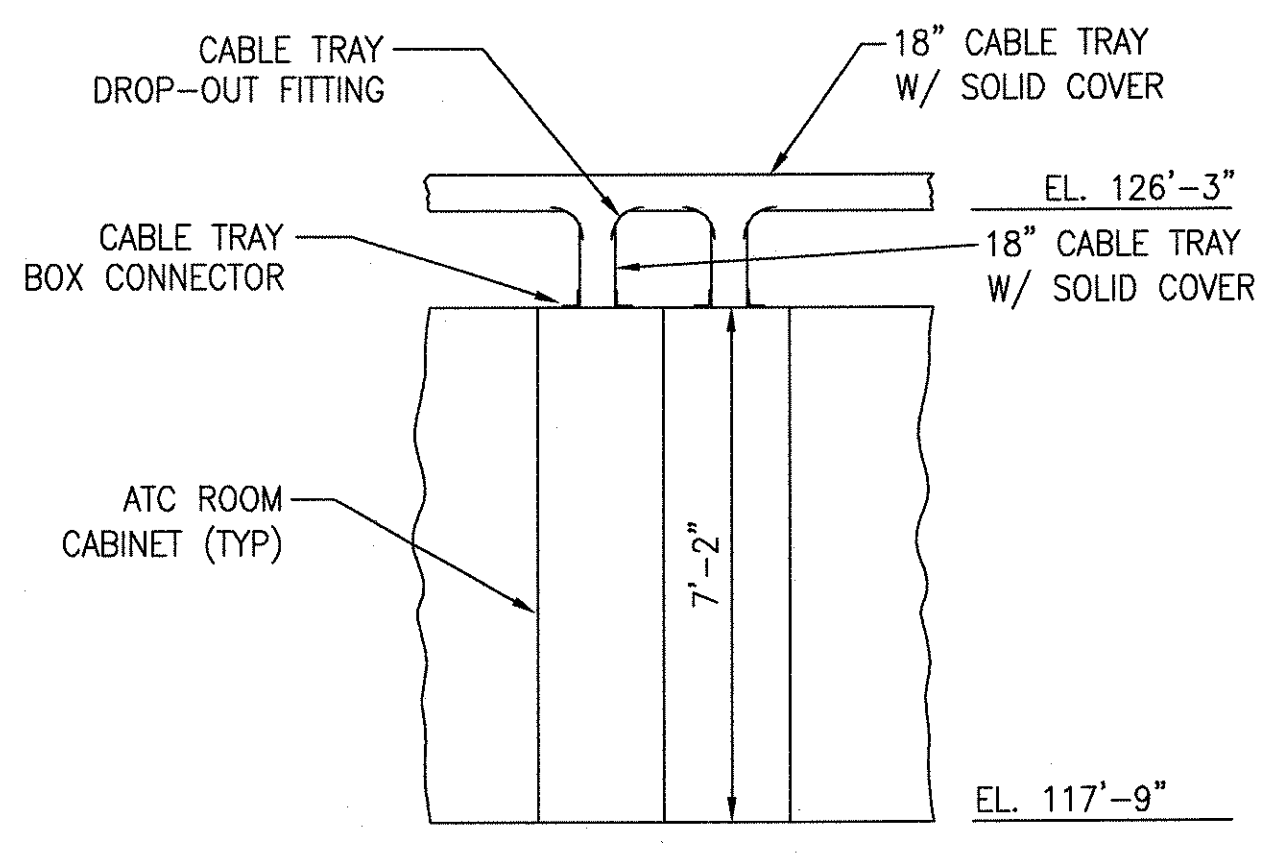
STATION D ATC ROOM - TRAY AND CONDUIT PLAN



MAINTENANCE BLDG. - ATC ROOM TRAY AND CONDUIT PLAN



TS1



DETAIL 1
TYPICAL CABLE TRAY DROP-OUT TO ATC ROOM CABINETS
NTS

NOTE:
1. FOR GROUNDING SEE 6D60561

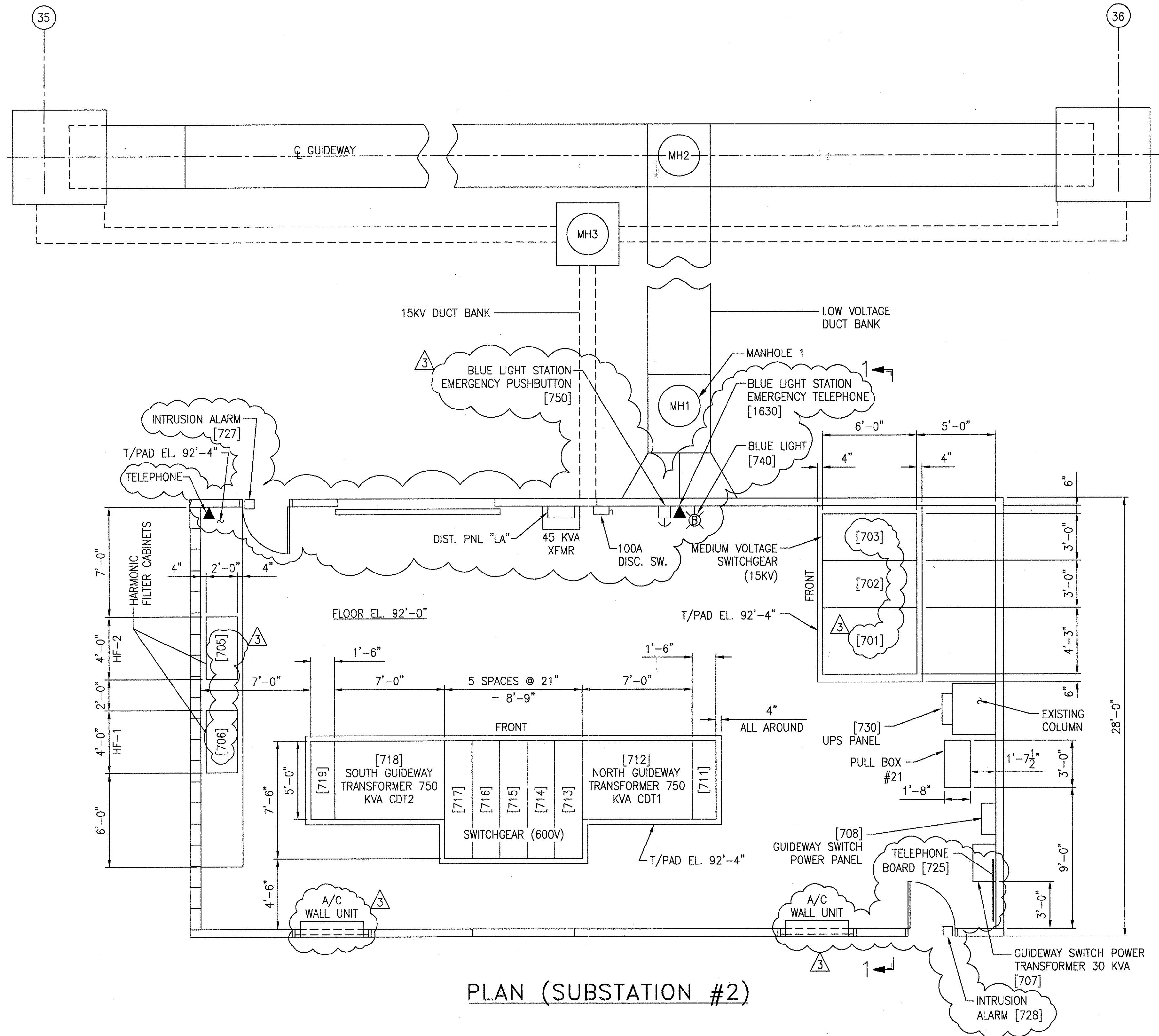
THIS DOCUMENT AND ITS CONTENTS ARE THE PROPERTY OF BOMBARDIER INC. OR ITS SUBSIDIARIES. THIS DOCUMENT CONTAINS CONFIDENTIAL PROPRIETARY INFORMATION. THE REPRODUCTION, DISTRIBUTION, UTILIZATION OR THE COMMUNICATION OF THIS DOCUMENT OR ANY PART THEREOF, WITHOUT EXPRESS AUTHORIZATION IS STRICTLY PROHIBITED. OFFENDERS WILL BE HELD LIABLE FOR THE PAYMENT OF DAMAGES.

1	TCN HOAB-B2065 D. 7DSB73-A CHANGE	(R)	SIGNATURES ON FILE
2	TON HOAB-B2065 ECN42824	(R)	SIGNATURES ON FILE
3	REVISED ATC ROOM ARRANGEMENT REVISED CABLE TRAY LAYOUT ISSUE FOR CONSTRUCTION R.D. PELKEY 4/8/03 T. NEVILLE 5-4-03 J. CARNEVALE 5-5-03	(R)	SIGNATURES ON FILE
4	REMOVED CABINETS [806] & [807] SEE SHT. 1 FOR CHGS. F. BELMARES 7-1-03 T. NEVILLE J. CARNEVALE	(R)	SIGNATURES ON FILE
	SHEETS 1 & 2 REVISED PER AS BUILT CONDITIONS P. CARSON 7/31/05 A. ROMEO J. CARNEVALE		

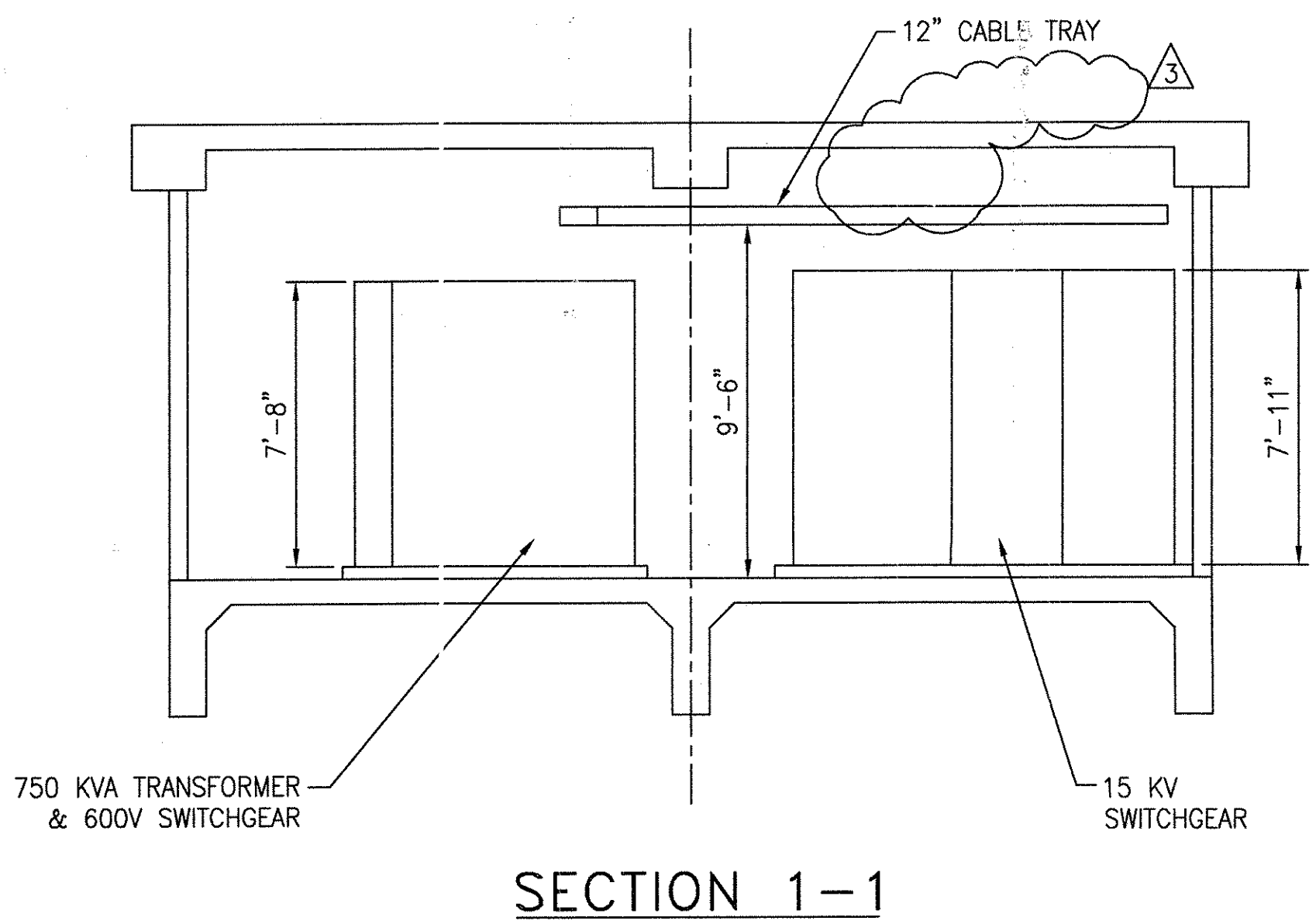
GEOMETRIC CHARACTERISTIC SYMBOLS	
FLATNESS	⊥
STRAIGHTNESS	—
ROUNDNESS (CIRCULARITY)	○
CYLINDRICITY	⊘
PROFILE OF ANY LINE	⌒
PROFILE OF ANY SURFACE	⌒
PARALLELISM	∥
PERPENDICULARITY (SQUARENESS)	⊥
ANGULARITY	∠
RUNOUT	⊘
TRUE POSITION	⊕
CONCENTRICITY	⊙
SYMMETRY	⊙
MAXIMUM MATERIAL CONDITION (MMC)	Ⓜ
REGARDLESS OF FEATURE SIZE	Ⓜ

DFTM.	DSK/PWI	DATE	12-19-01
ENGRG.	T. NEVILLE	DATE	12-3-01
MFG.			
APPD.			
DFTG. :JUPV.	J. CARNEVALE		

BOMBARDIER	
TITLE GEORGE BUSH INTERCONTINENTAL AIRPORT HOUSTON PHASE 2 EXTENSION	
DIMENSIONS IN ATC ROOM ARRANGEMENT PLANS	
SIZE	D
DWG. NO.	6D60556
SCALE	1/4"=1'-0" WT.
SHEET	2
REV.	4



PLAN (SUBSTATION #2)



SECTION 1-1

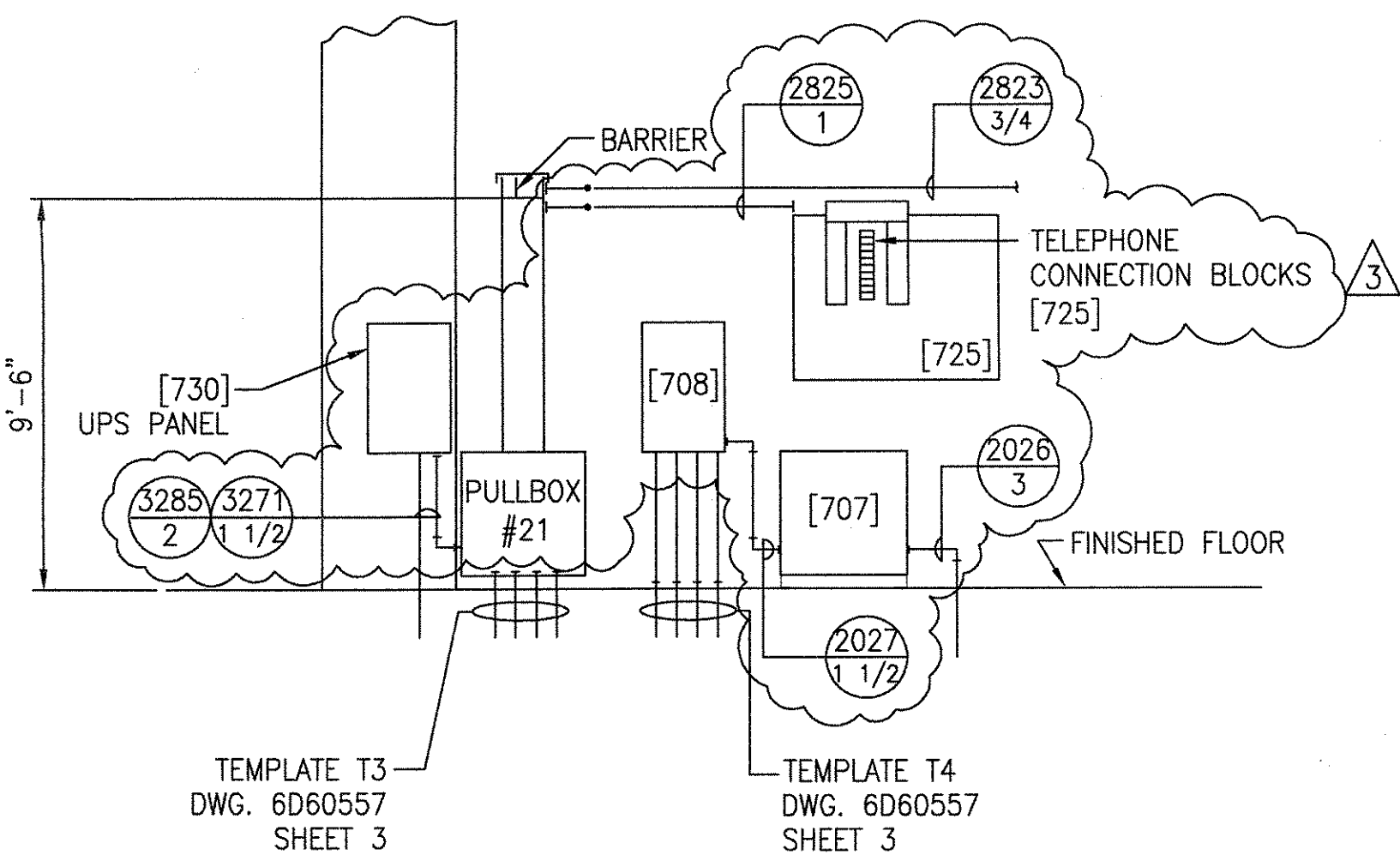
THIS DOCUMENT AND ITS CONTENTS ARE THE PROPERTY OF BOMBARDIER INC. OR ITS SUBSIDIARIES. THIS DOCUMENT CONTAINS CONFIDENTIAL PROPRIETARY INFORMATION. THE REPRODUCTION, DISTRIBUTION, UTILIZATION OR THE COMMUNICATION OF THIS DOCUMENT OR ANY PART THEREOF, WITHOUT EXPRESS AUTHORIZATION IS STRICTLY PROHIBITED. OFFENDERS WILL BE HELD LIABLE FOR THE PAYMENT OF DAMAGES.

TCN HOAB-B2065 D. 7DS873-A CHANGE	1	SIGNATURES ON FILE
TCN HOAB-B2065 ECM42824	2	SIGNATURES ON FILE
REVISED 15KV DUCT BANK & MANHOLES ISSUE FOR CONSTRUCTION R.D. PELKEY 4/14/03 T. NEVILLE J. CARNEVALE	3	SIGNATURES ON FILE
TCN HOAB-B2065 WR 2001346	4	SIGNATURES ON FILE
SHEETS 1,2,3 & 4 REVISED PER AS BUILT CONDITIONS P. CARSON 7/31/05 A. ROMEO J. CARNEVALE		

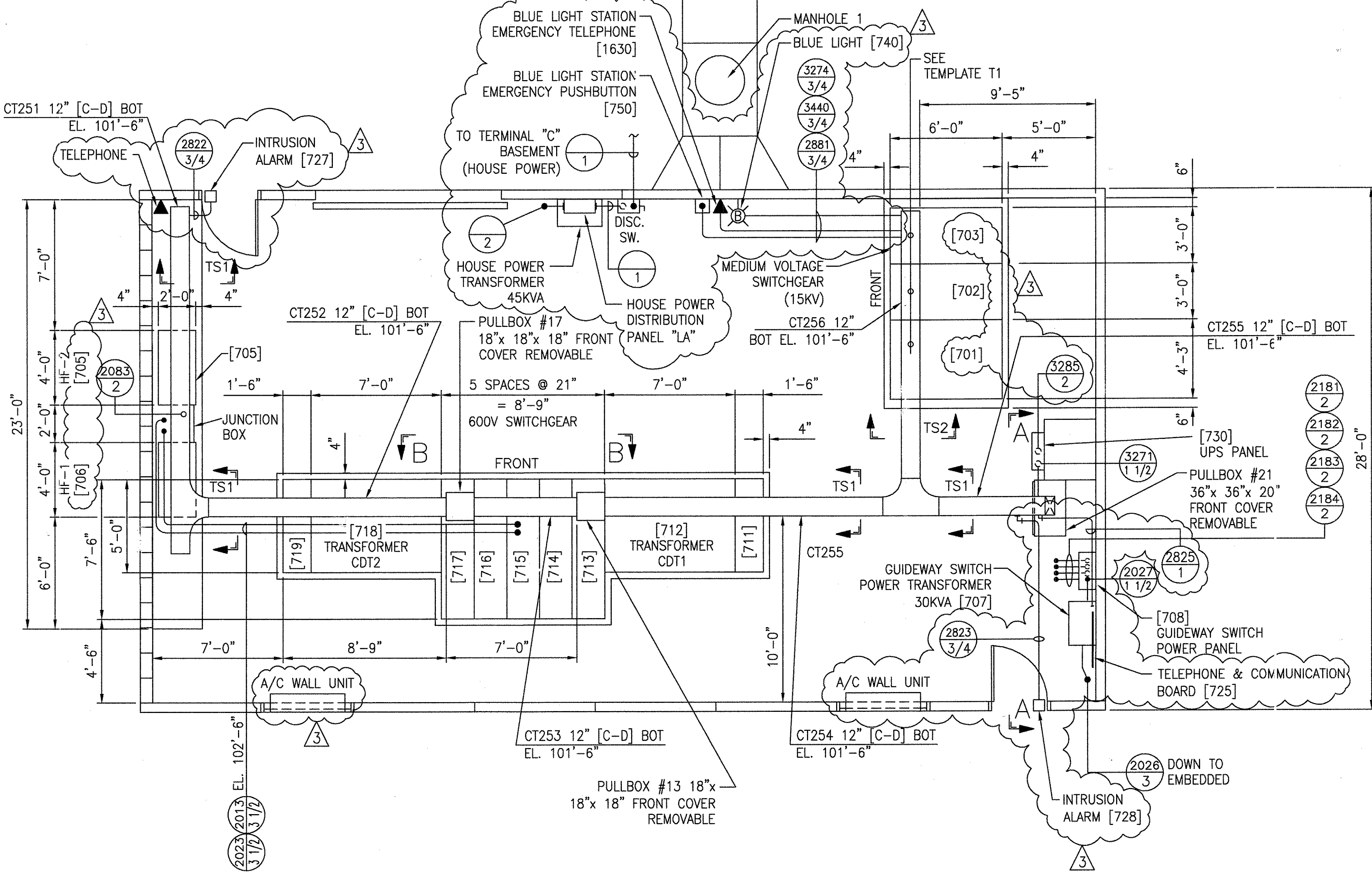
GEOMETRIC CHARACTERISTIC SYMBOLS	
FLATNESS	⊥
STRAIGHTNESS	— —
ROUNDNESS (CIRCULARITY)	○
CYLINDRICITY	⊘
PROFILE OF ANY LINE	— —
PROFILE OF ANY SURFACE	— —
PARALLELISM	∥
PERPENDICULARITY (SQUARENESS)	⊥
ANGULARITY	∠
RUNOUT	⊖
TRUE POSITION	⊕
CONCENTRICITY	⊙
SYMMETRY	⊞
MAXIMUM MATERIAL CONDITION (MMC)	Ⓜ
REGARDLESS OF FEATURE SIZE	Ⓜ

DFTM.	WDO/PWI	DATE	12-24-01
CHKR.			
ENGRG.	T. NEVILLE	DATE	11-28-01
MFG.			
APPD.			
DFTG. SUPV.	J. CARNEVALE		

BOMBARDIER	
TITLE GEORGE BUSH INTERNATIONAL AIRPORT HOUSTON PHASE 2 EXTENSION	
DIMENSIONS IN SUBSTATION #2 PLAN	
SIZE D	DWG. NO. 6D60557
SCALE 1/4"=1'-0" WT.	REV. 3
SHEET 1 OF 4	

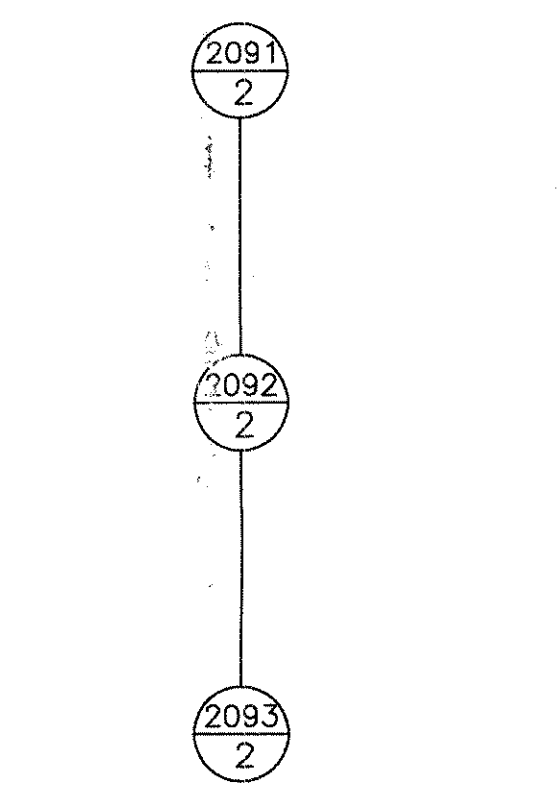


SECTION A-A

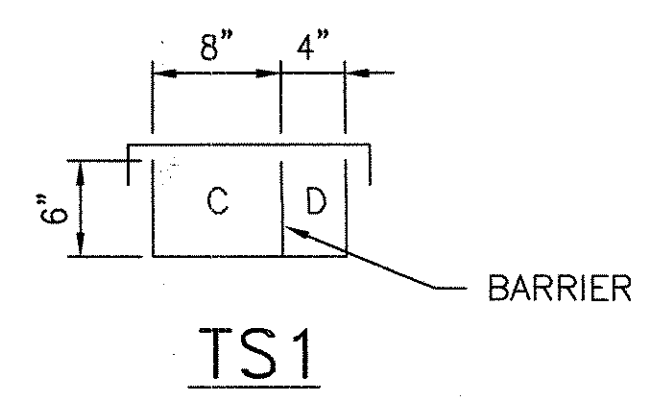


TRAY/CONDUIT PLAN (SUBSTATION #2)

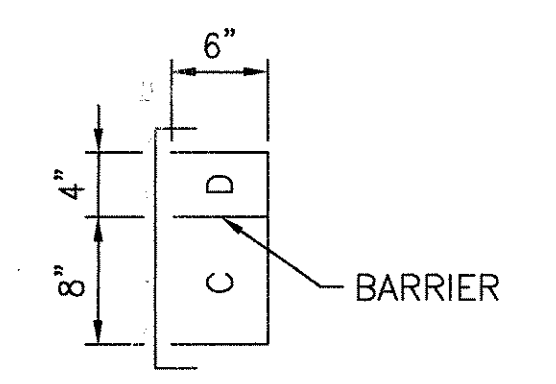
FLOOR EL. 92'-0"



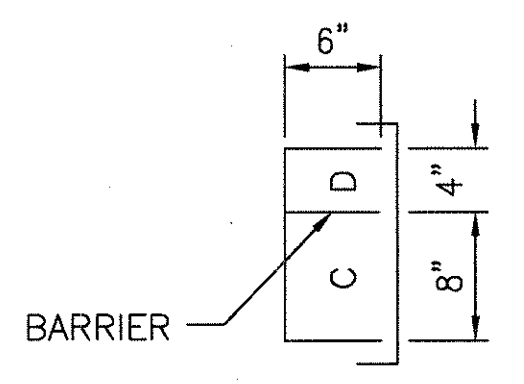
TEMPLATE T1



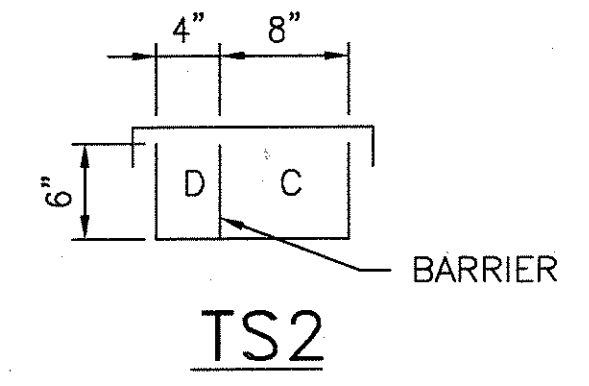
TS1



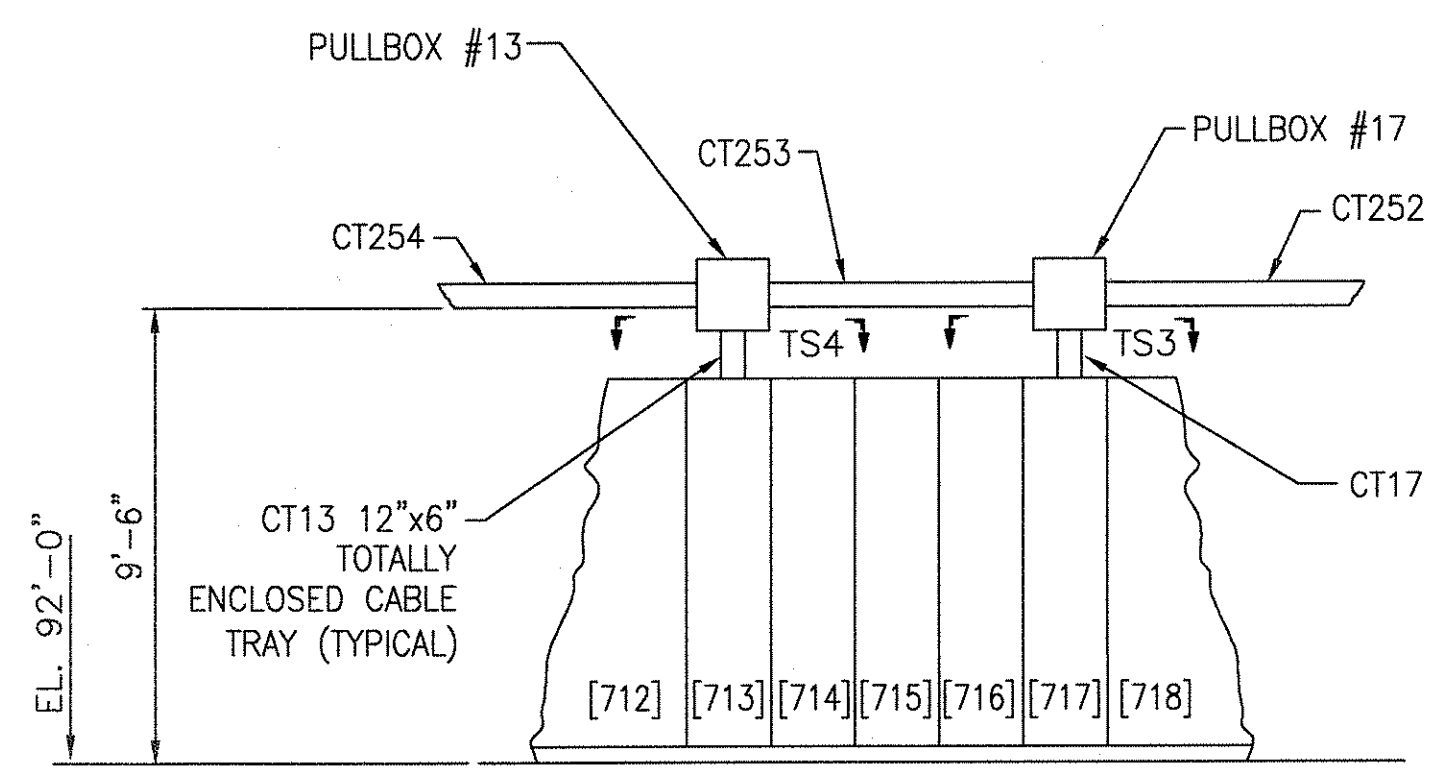
TS3



TS4



TS2



SECTION B-B

THIS DOCUMENT AND ITS CONTENTS ARE THE PROPERTY OF BOMBARDIER INC. OR ITS SUBSIDIARIES. THIS DOCUMENT CONTAINS CONFIDENTIAL PROPRIETARY INFORMATION. THE REPRODUCTION, DISTRIBUTION, UTILIZATION OR THE COMMUNICATION OF THIS DOCUMENT OR ANY PART THEREOF, WITHOUT EXPRESS AUTHORIZATION IS STRICTLY PROHIBITED. OFFENDERS WILL BE HELD LIABLE FOR THE PAYMENT OF DAMAGES.

1	AutoCAD	
2	SIGNATURES ON FILE	
3	SIGNATURES ON FILE	

TCN HOAB-B2065
D. 7DS873-A
CHANGE

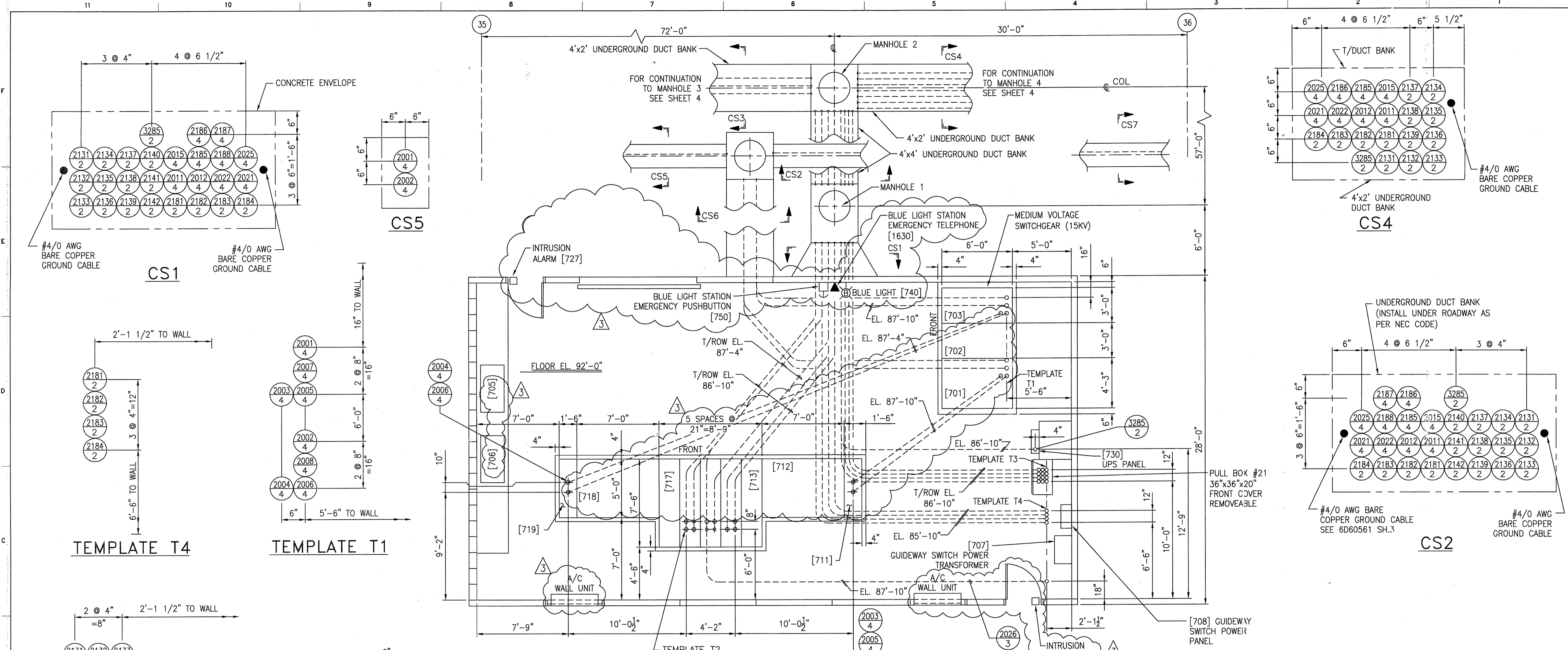
TCN HOAB-B2065
WR 2001346
SHEETS 1, 2, 3 & 4
REVISED PER AS BUILT
CONDITIONS
P. CARSON 7/31/05
A. ROMEO
J. CARNEVALE

NO CHANGE THIS SHEET
ISSUE FOR CONSTRUCTION
R.D. PELKEY 4/14/03
T. NEVILLE
J. CARNEVALE

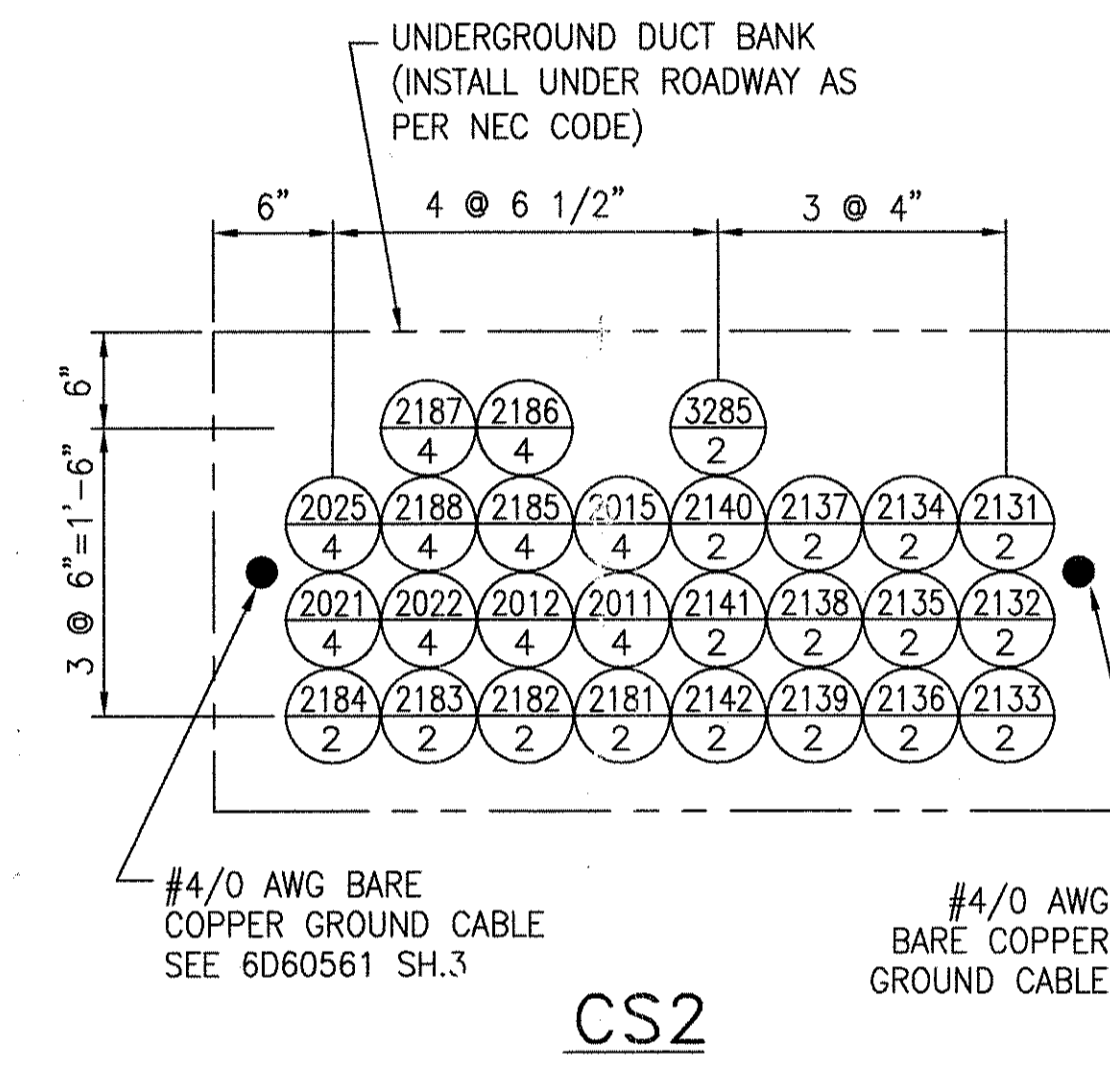
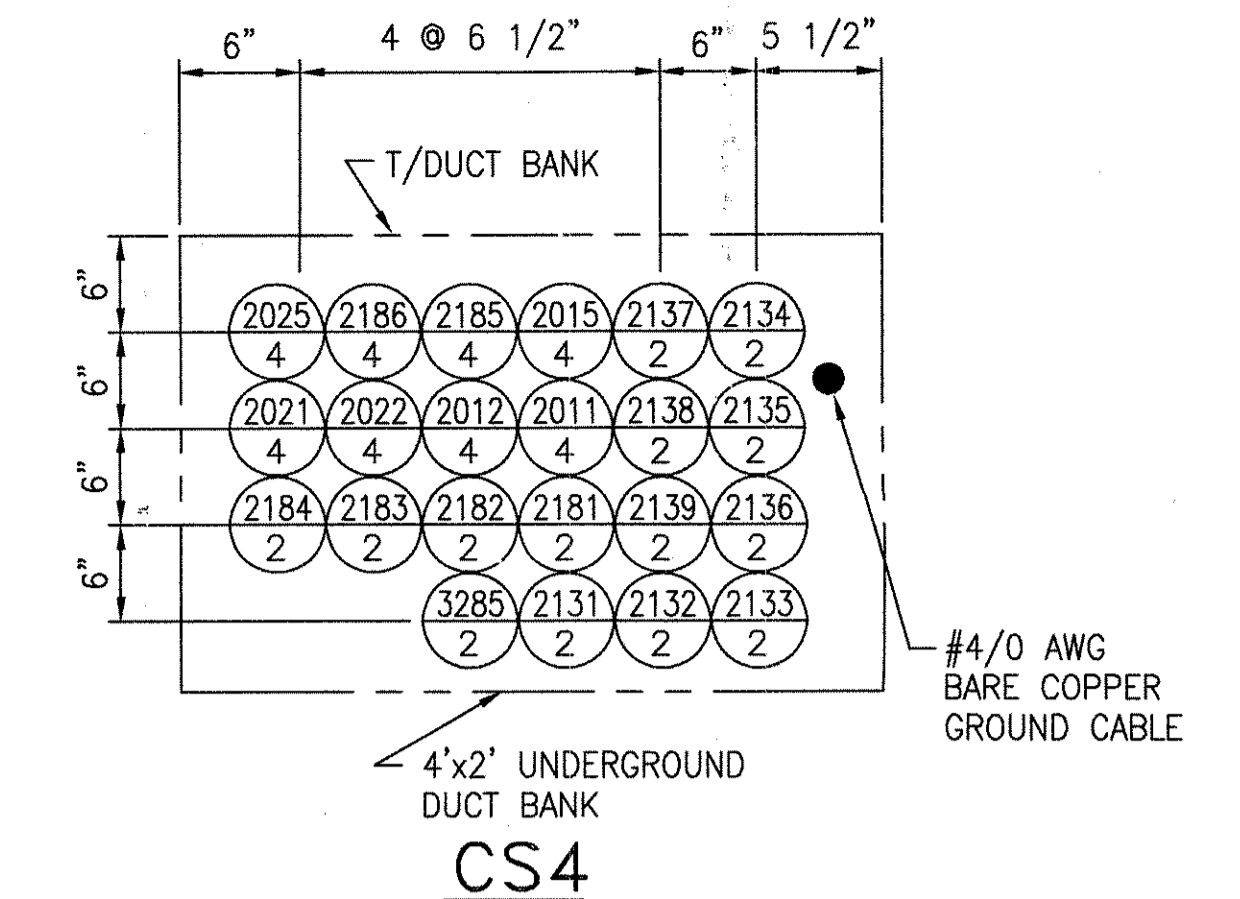
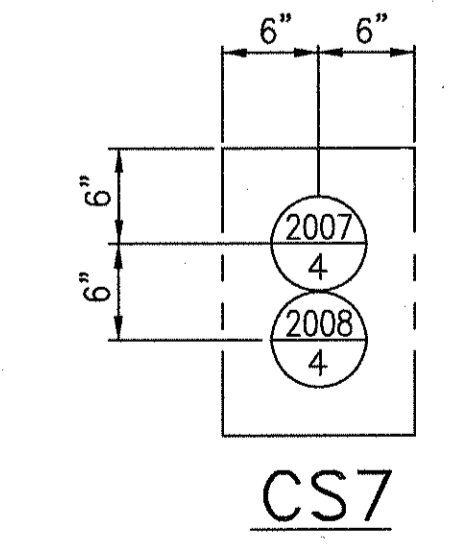
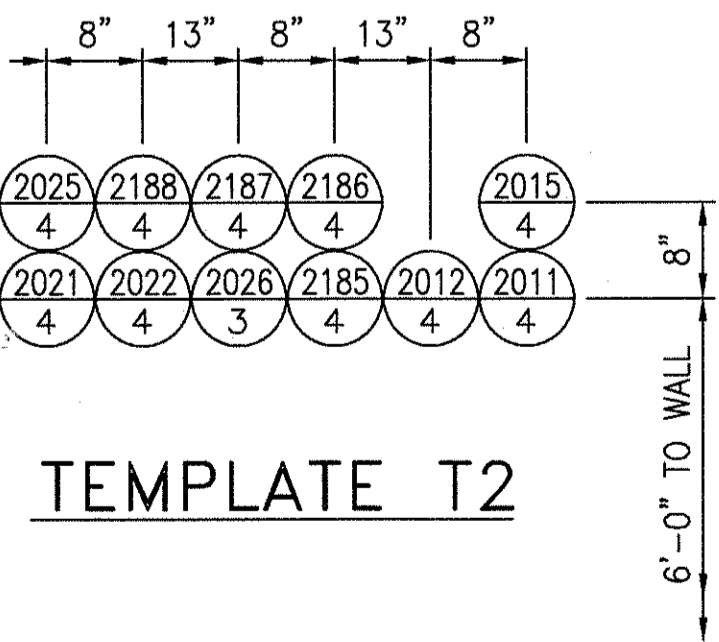
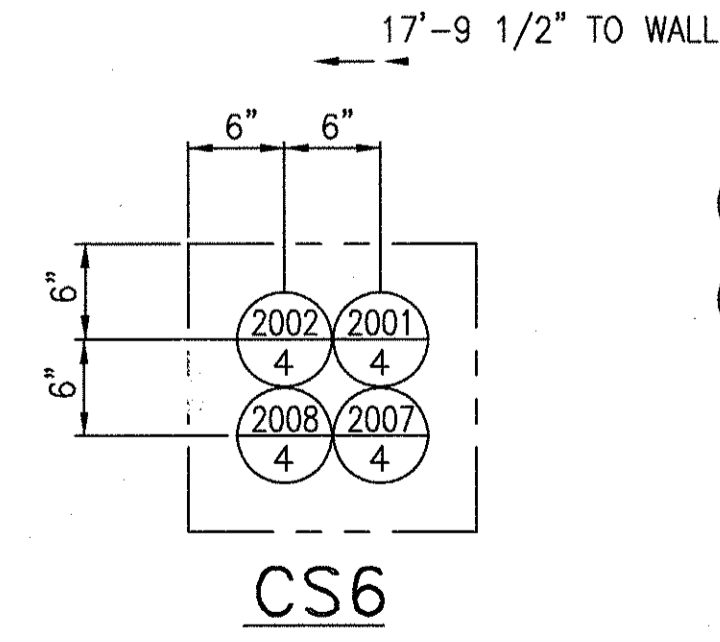
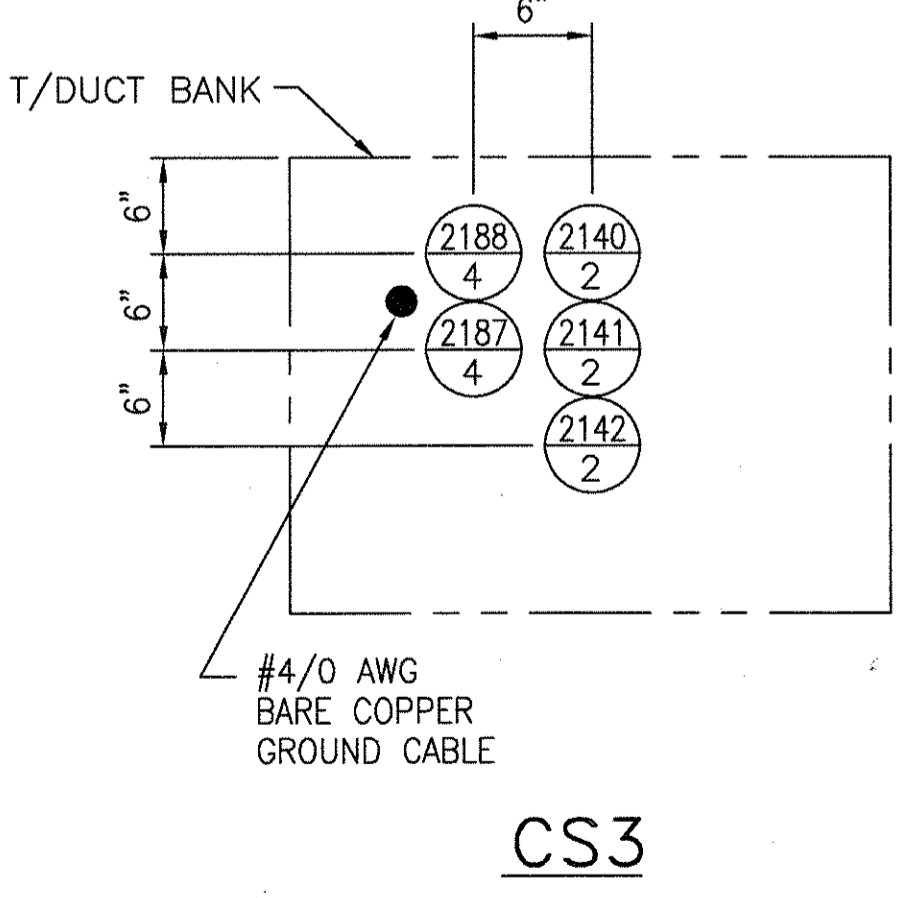
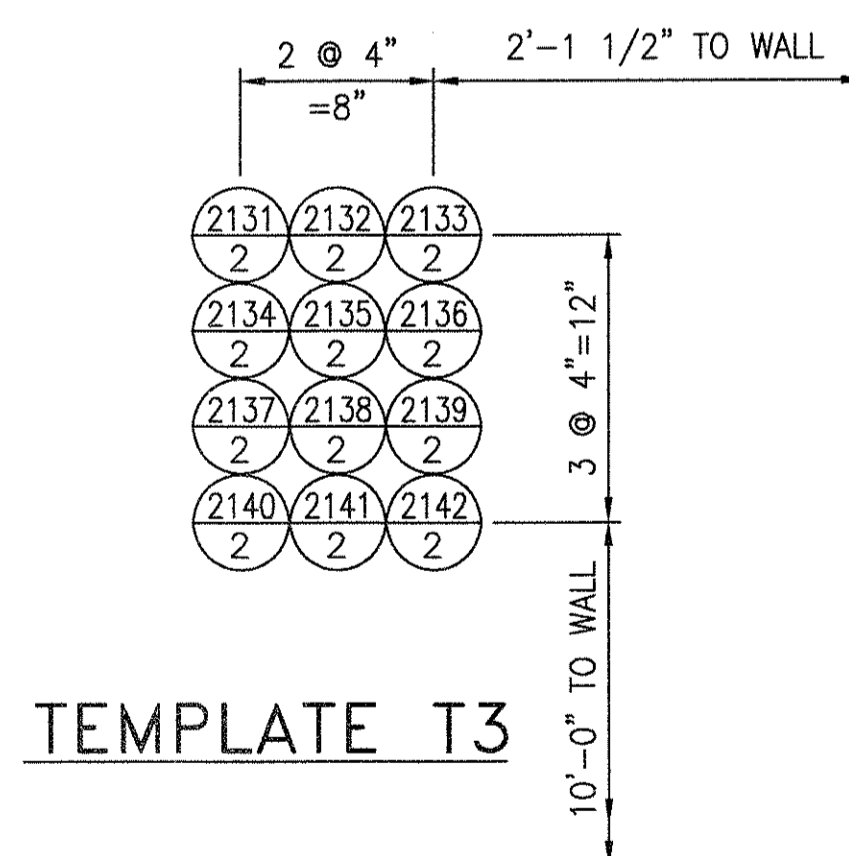
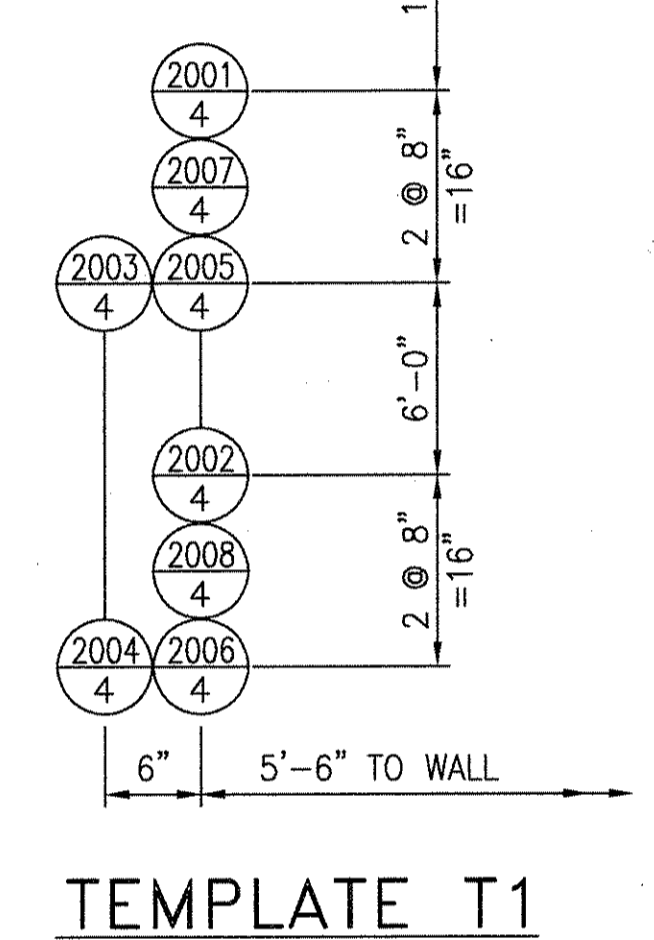
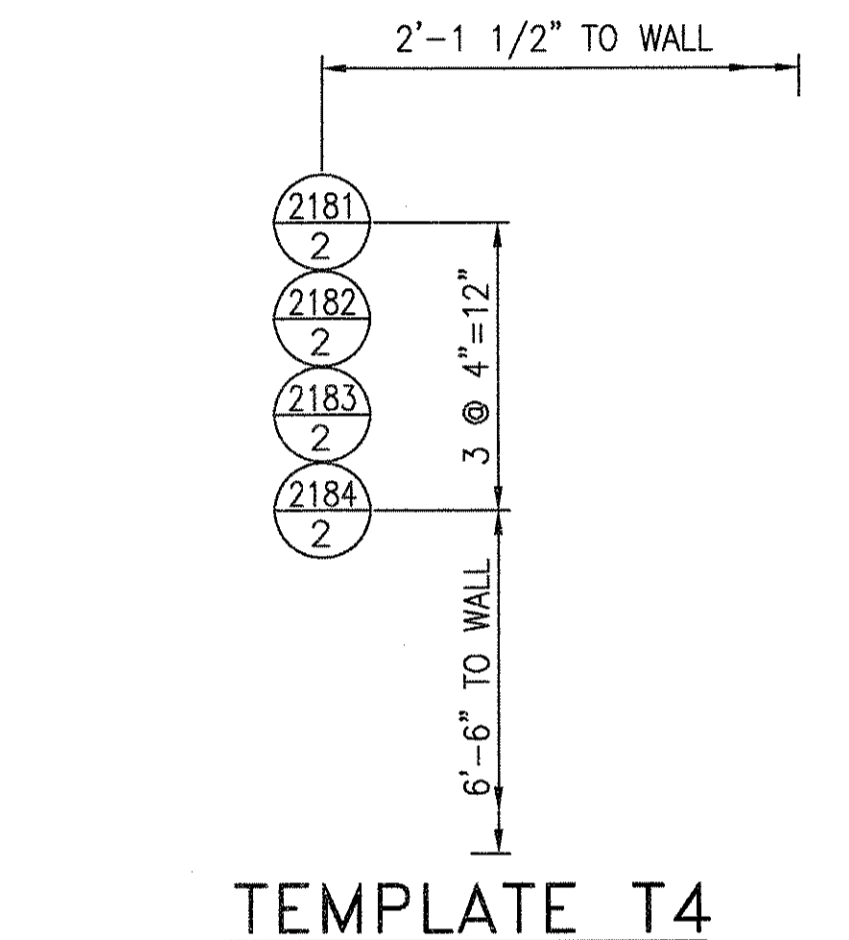
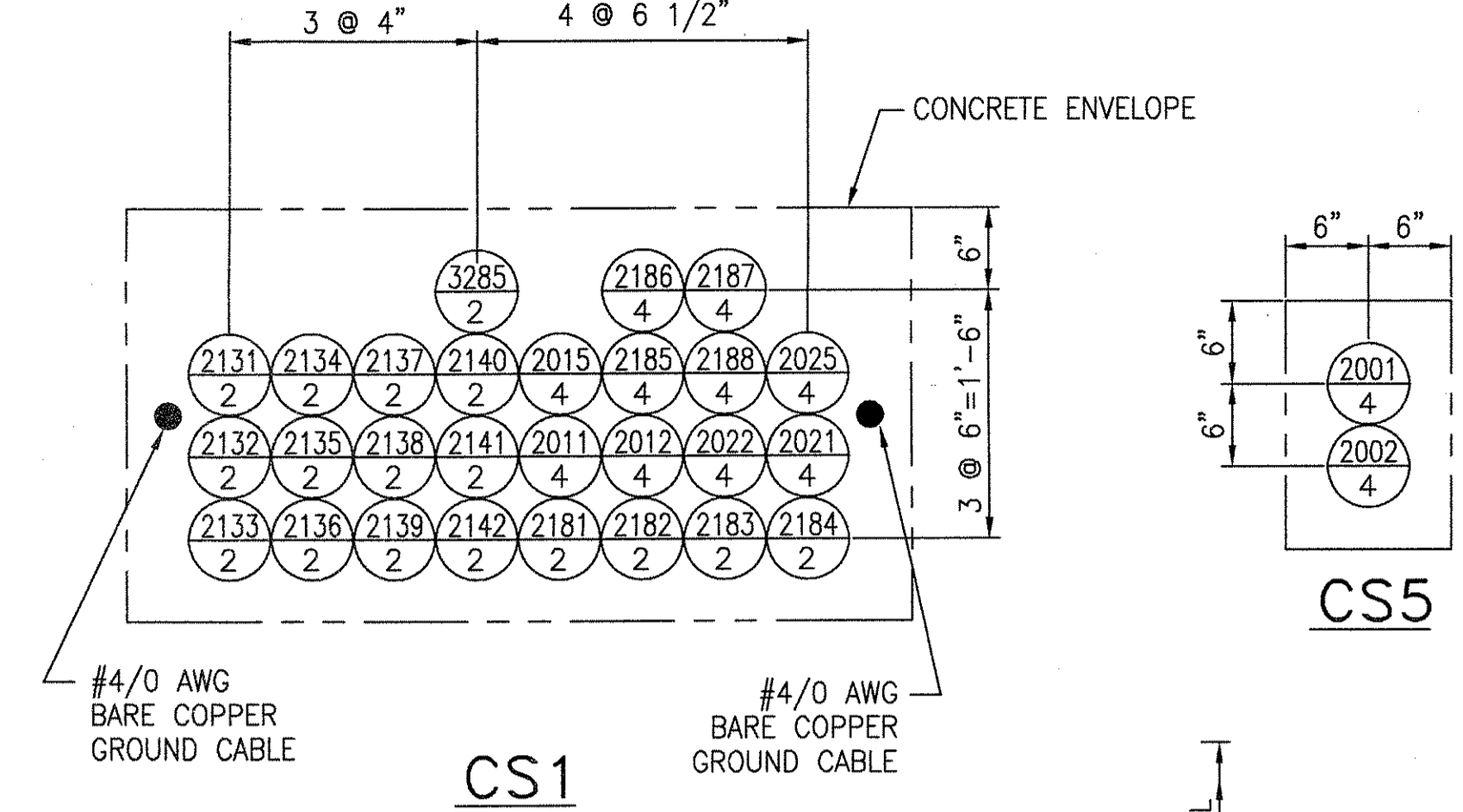
GEOMETRIC CHARACTERISTIC SYMBOLS	
FLATNESS	—
STRAIGHTNESS	—
ROUNDNESS (CIRCULARITY)	○
CYLINDRICITY	○
PROFILE OF ANY LINE	—
PROFILE OF ANY SURFACE	—
PARALLELISM	—
PERPENDICULARITY (SQUARENESS)	—
ANGULARITY	—
RUNOUT	—
TRUE POSITION	—
CONCENTRICITY	—
SYMMETRY	—
MAXIMUM MATERIAL CONDITION (MMC)	—
REGARDLESS OF FEATURE SIZE	—

DFTM.	WDO/PWI	DATE	1-2-02
CHKR.			
ENGRG.	T. NEVILLE	DATE	11-28-01
MFG.			
APPD.			
DFTG. & UPV.	J. CARNEVALE		

BOMBARDIER	
TITLE	
GEORGE BUSH INTERNATIONAL AIRPORT	
HOUSTON PHASE 2 EXTENSION	
DIMENSIONS IN	
SUBSTATION #2 PLAN	
SIZE	DWG. NO.
D	6D60557
SCALE 1/4"=1'-0"	REV. 3
SHEET 2	



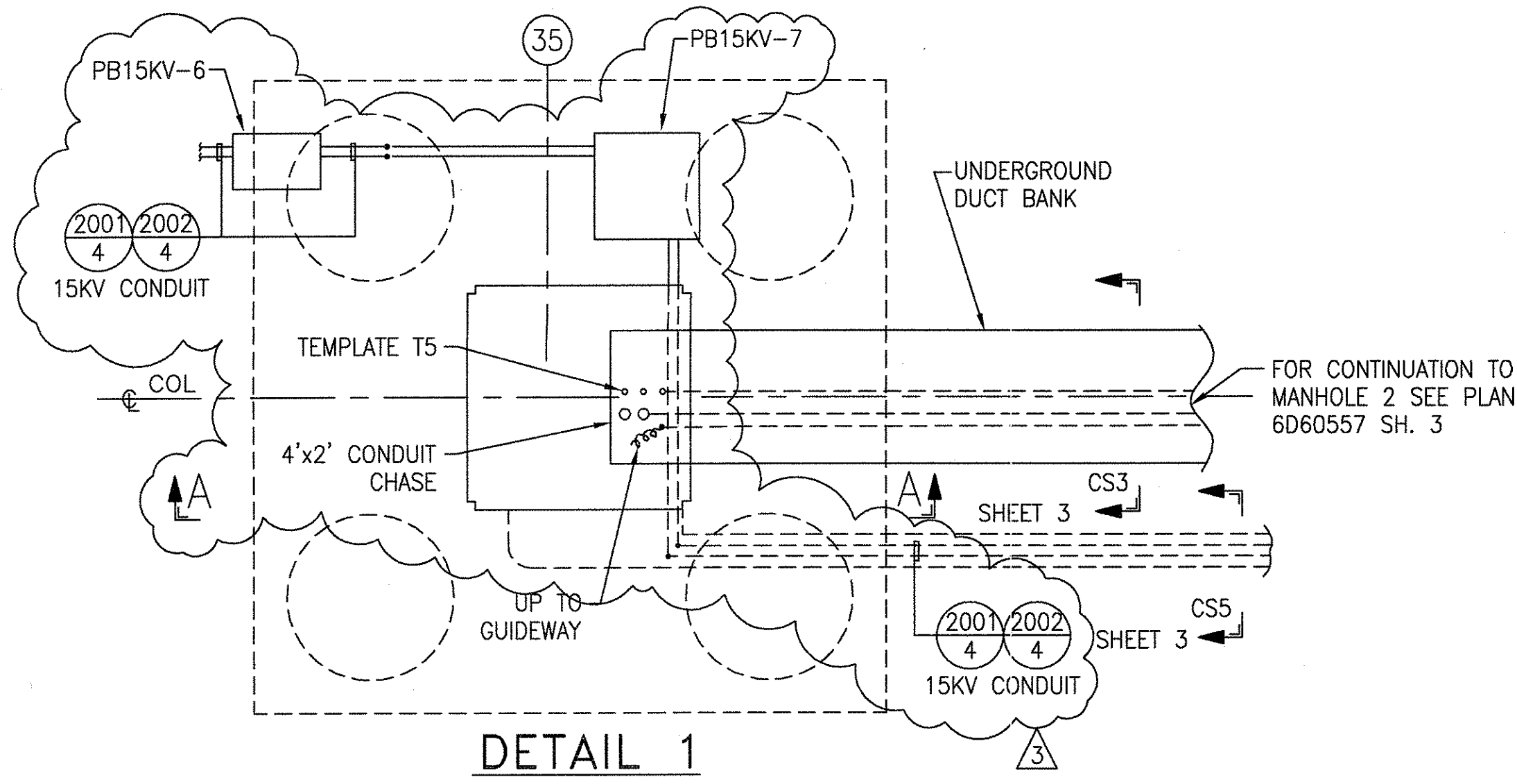
EMBEDDED CONDUIT PLAN (SUBSTATION #2)



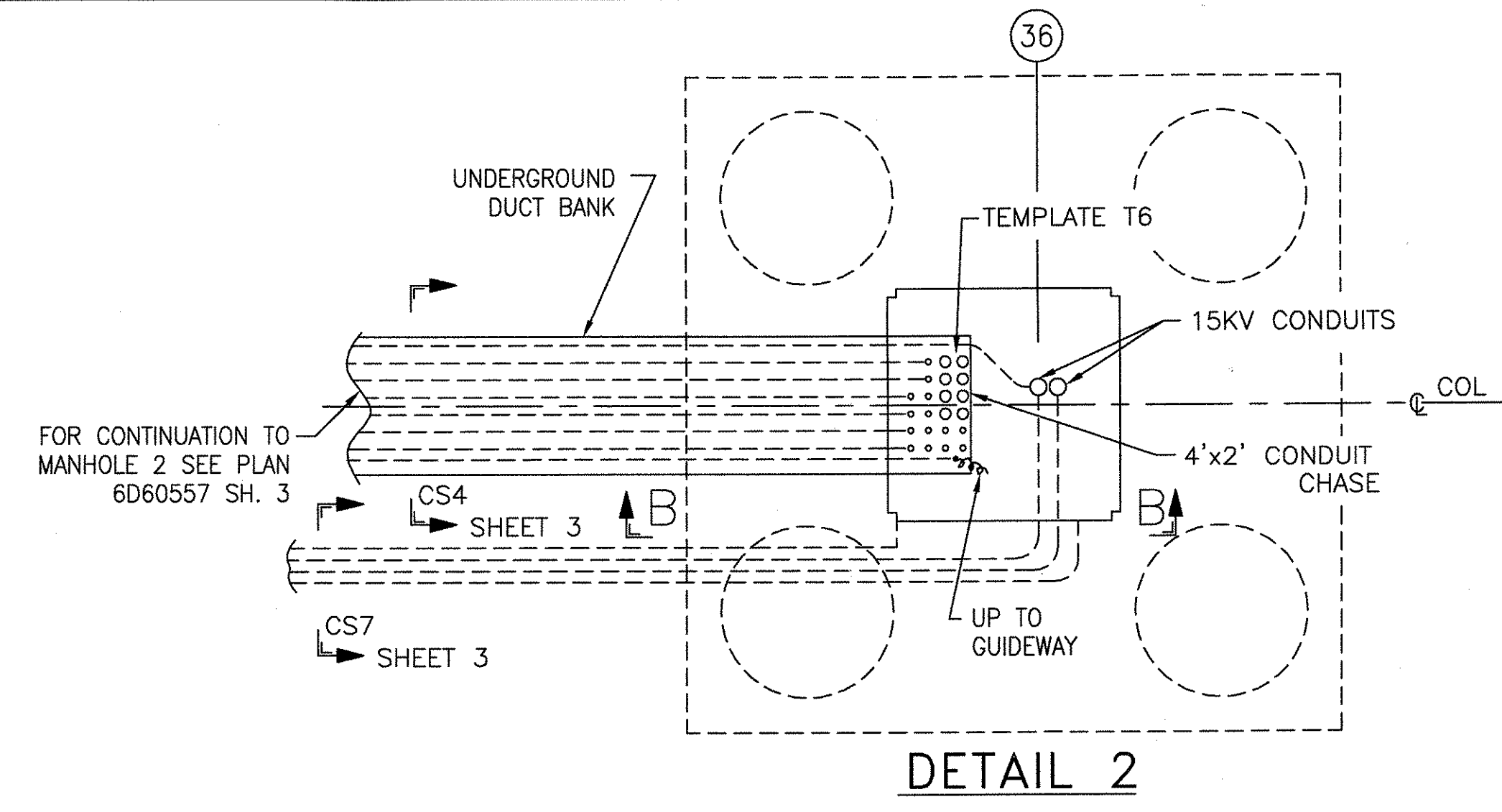
- NOTES:**
1. ALL EMBEDDED CONDUITS SHALL BE INSTALLED BY SUBSTATION BUILDING CONTRACTOR.
 2. EMBEDDED CONDUIT SHALL BE HEAVY WALL SCHEDULE 40 PVC. ALL CONDUIT BENDS SHALL BE GALVANIZED RIGID STEEL. CONDUIT SHALL BE RUN IN A REINFORCED CONCRETE ENVELOPE WITH 3" MIN. CONCRETE COVER TOP OF CONCRETE SHALL BE COLORED RED.
 3. EMBEDDED CONDUIT STUB-UPS SHALL BE GALVANIZED RIGID STEEL.
 4. EMBEDDED CONDUIT SHALL STUB-UP (EL. 92'-8")
 5. LONG RADIUS BENDS SHALL BE USED FOR 4" CONDUIT.
 6. MINIMUM BEND RADIUS SHALL BE 6X CONDUIT DIA. FOR 2" CONDUIT.
 7. ALL EMBEDDED CONDUIT SHALL BE TAGGED AT BOTH ENDS.
 8. ALL EMBEDDED CONDUIT NOT USED SHALL BE CAPPED AND PLUGGED WITH DRAW STRINGS IN PLACE AFTER CLEANING.
 9. 3" AND 4" CONDUIT SUPPORTED EVERY 7'-0"
 10. 2" CONDUIT SUPPORTED EVERY 5'-0"

THIS DOCUMENT AND ITS CONTENTS ARE THE PROPERTY OF BOMBARDIER INC. OR ITS SUBSIDIARIES. THIS DOCUMENT CONTAINS CONFIDENTIAL PROPRIETARY INFORMATION. THE REPRODUCTION, DISTRIBUTION, UTILIZATION OR THE COMMUNICATION OF THIS DOCUMENT OR ANY PART THEREOF, WITHOUT EXPRESS AUTHORIZATION IS STRICTLY PROHIBITED. OFFENDERS WILL BE HELD LIABLE FOR THE PAYMENT OF DAMAGES.

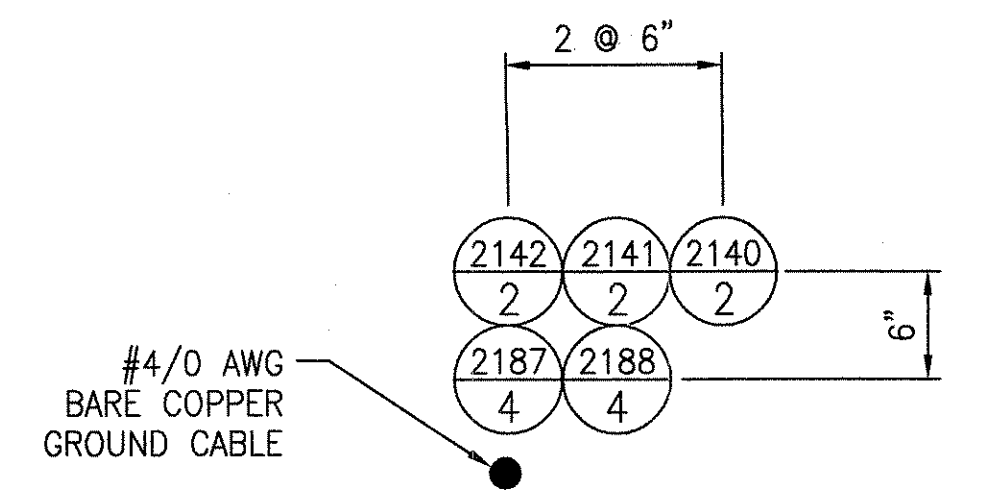
<p>AutoCAD</p> <p>1 SIGNATURES ON FILE TON HOAB-B2065 WR 2001346</p>	<p>2 SIGNATURES ON FILE TON HOAB-B2065 WR 2001346</p>	<p>3 SHEETS 1, 2, 3 & 4 REVISED PER AS BUILT CONDITIONS P. CARSON 7/31/05 A. ROMEO J. CARNEVALE</p>	<p>DATE 1-4-02</p> <p>WDO/PWI 1-4-02</p> <p>ENGRG. T. NEVILLE 11-28-01</p> <p>MFG.</p> <p>APPD.</p> <p>DFTG. \$UPV. J. CARNEVALE</p>	<p>DATE 11-28-01</p> <p>TITLE GEORGE BUSH INTERNATIONAL AIRPORT HOUSTON PHASE 2 EXTENSION</p> <p>DIMENSIONS IN SUBSTATION #2 PLAN</p> <p>SCALE 1/4"=1'-0" WT.</p>	<p>BOMBARDIER</p> <p>DWG. NO. 6D60557</p> <p>SHEET 3</p>
--	---	---	--	---	---



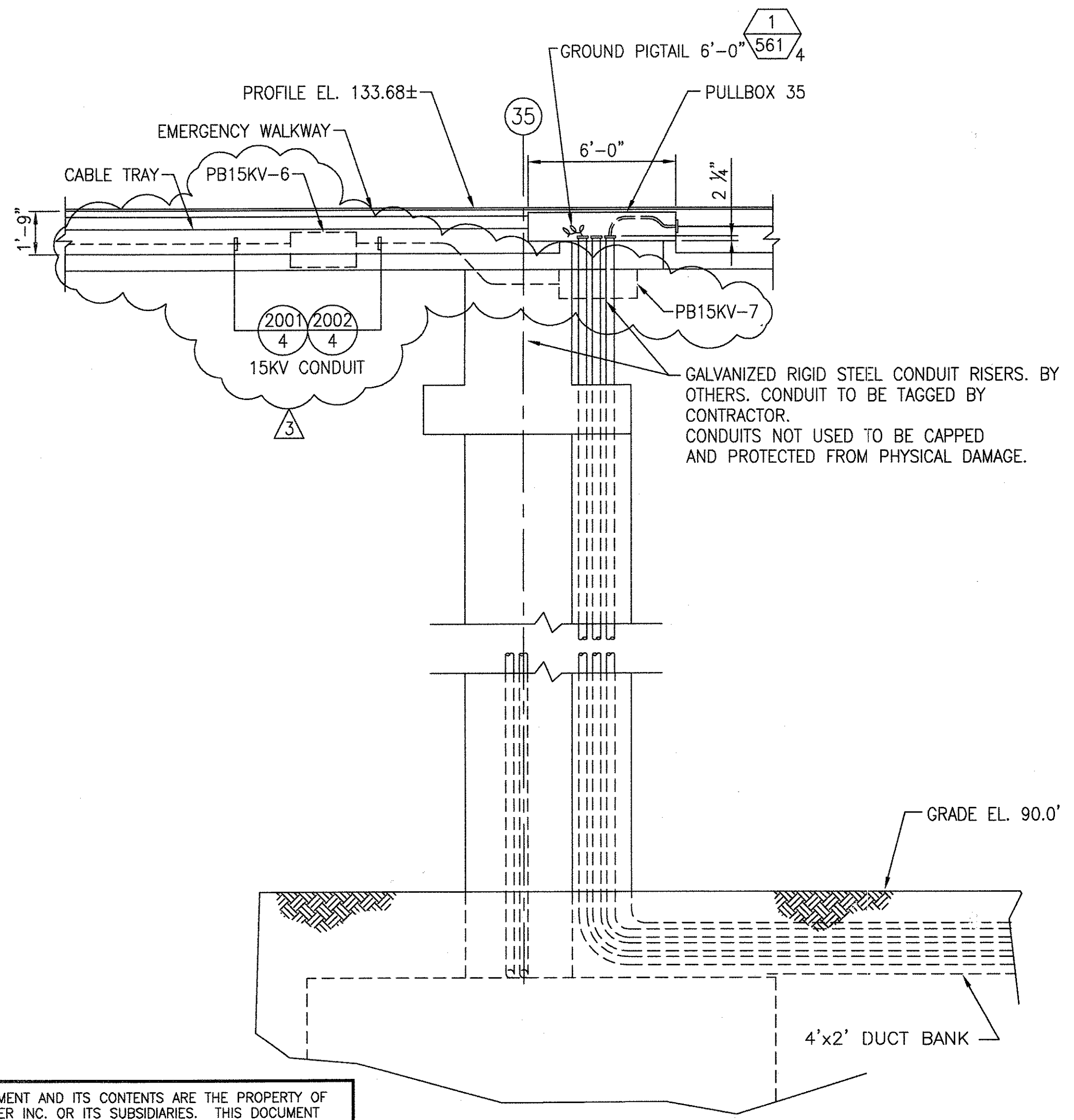
DETAIL 1



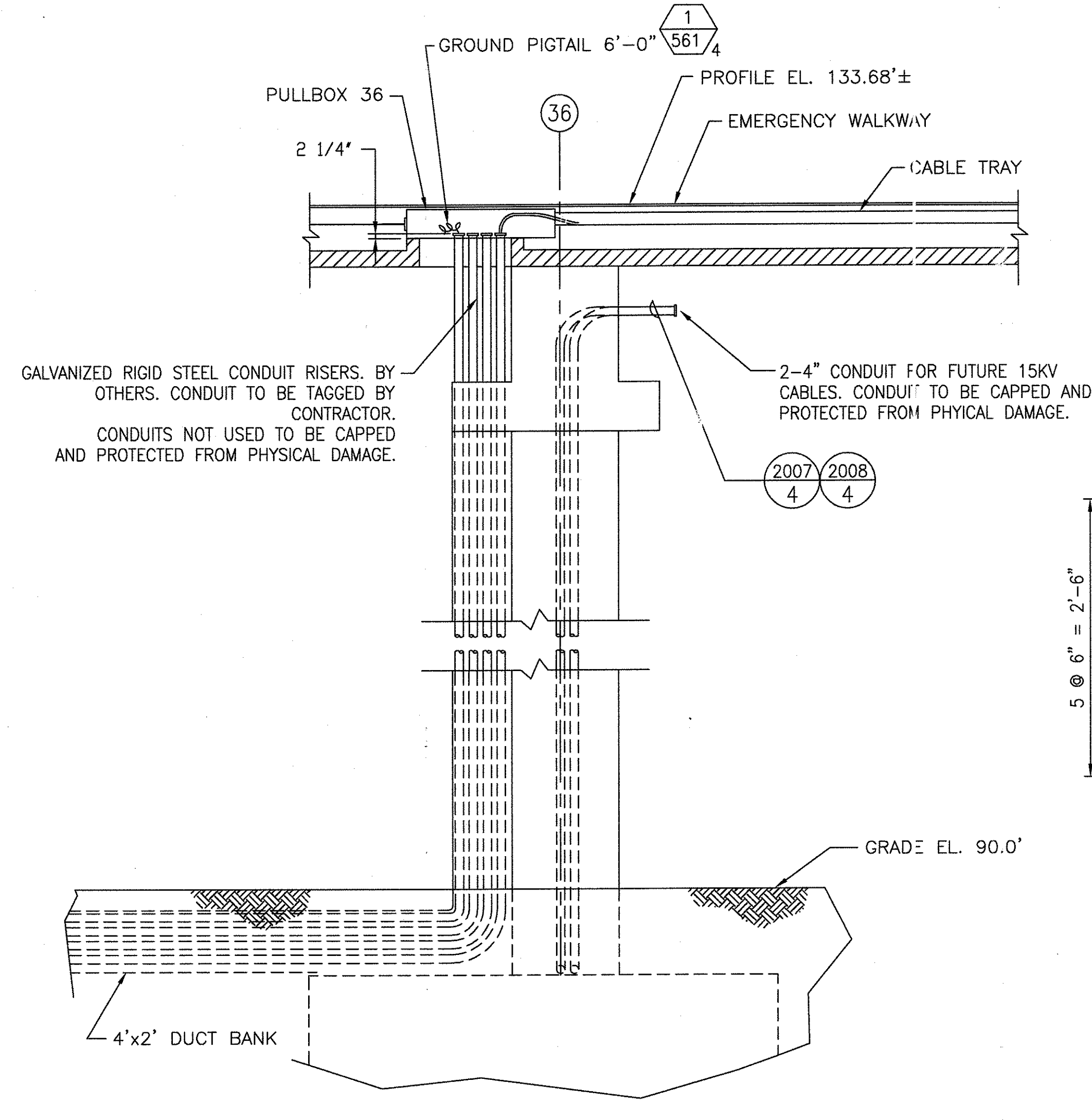
DETAIL 2



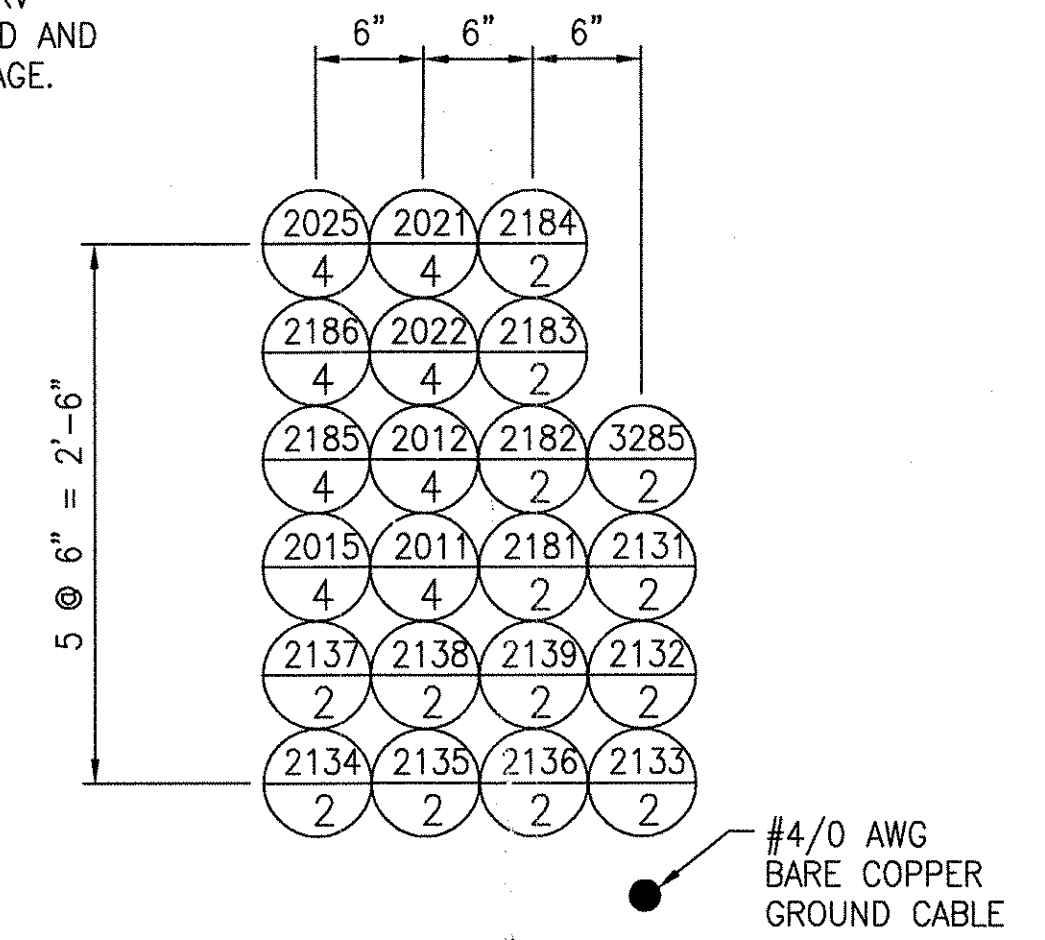
TEMPLATE T5



SECTION A-A



SECTION B-B



TEMPLATE T6

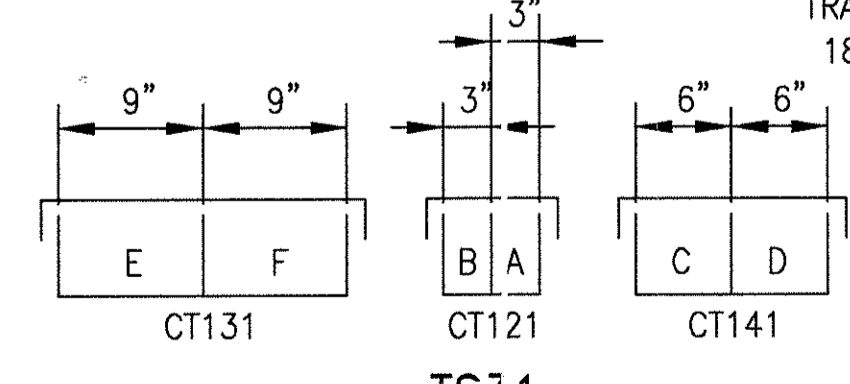
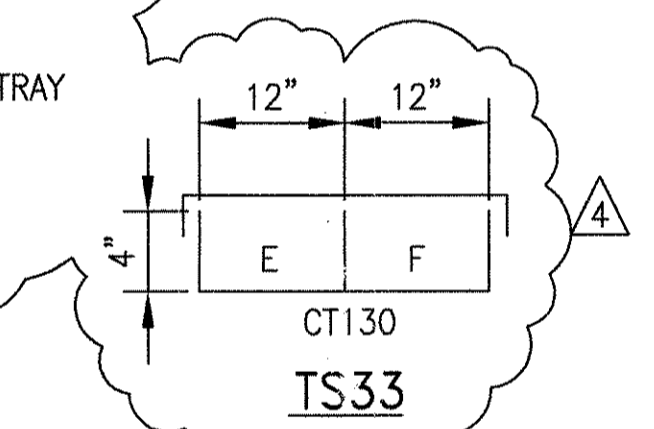
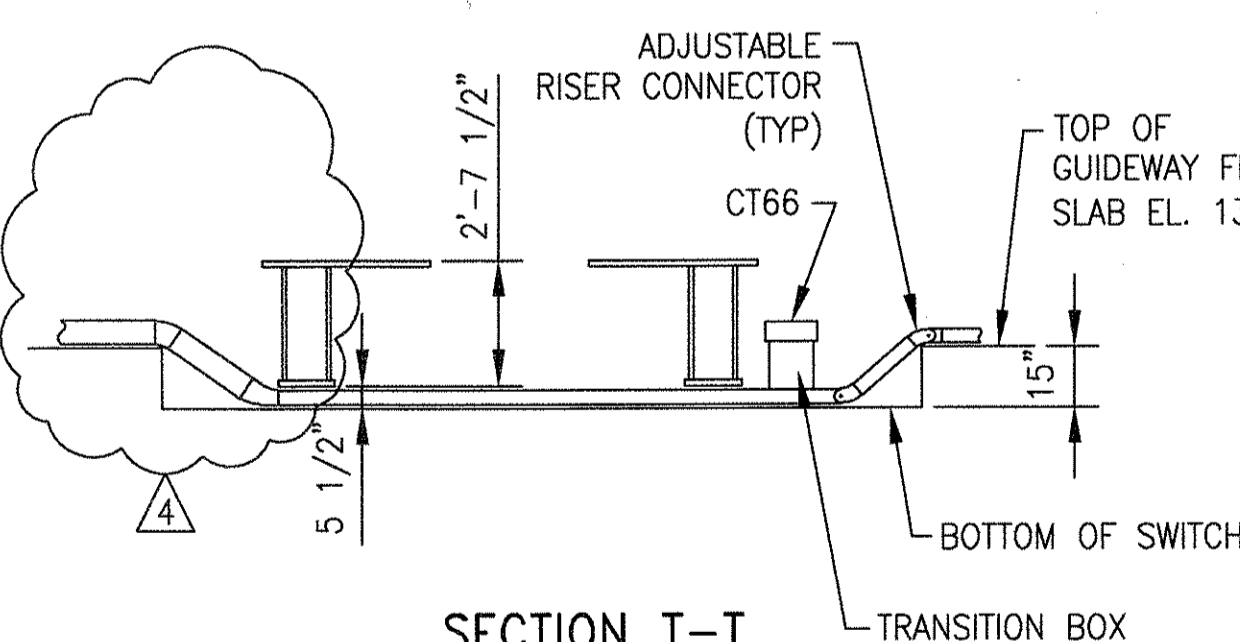
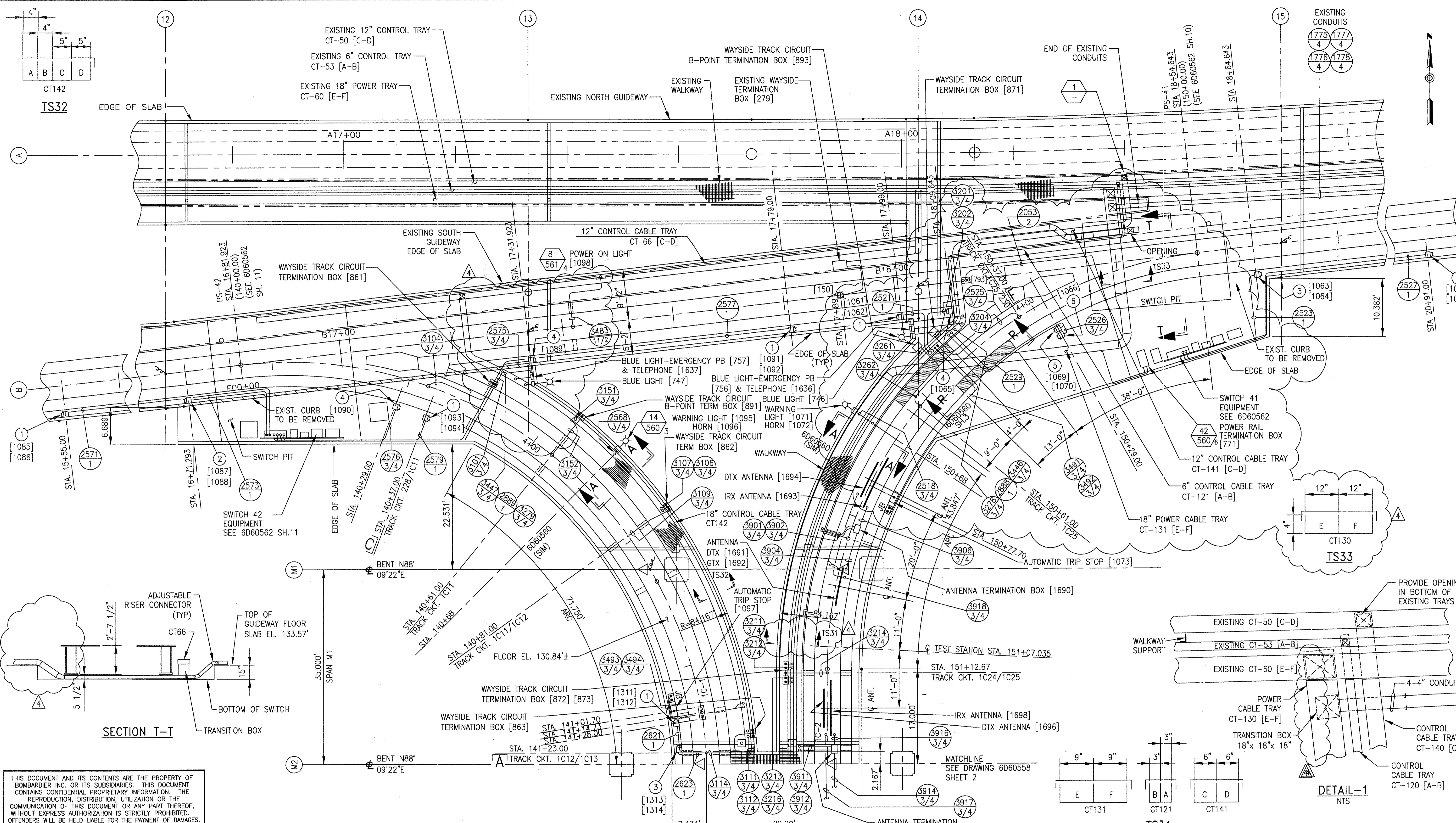
THIS DOCUMENT AND ITS CONTENTS ARE THE PROPERTY OF BOMBARDIER INC. OR ITS SUBSIDIARIES. THIS DOCUMENT CONTAINS CONFIDENTIAL PROPRIETARY INFORMATION. THE REPRODUCTION, DISTRIBUTION, UTILIZATION OR THE COMMUNICATION OF THIS DOCUMENT OR ANY PART THEREOF, WITHOUT EXPRESS AUTHORIZATION IS STRICTLY PROHIBITED. OFFENDERS WILL BE HELD LIABLE FOR THE PAYMENT OF DAMAGES.

TCN HOAB-B2065	1	SIGNATURES ON FILE
D. 7DS873-A	CHANGE	
TCN HOAB-B2065	2	SIGNATURES ON FILE
ECM42824		
ADD CS5 & CS7		
DUCT BANK		
REVISE T6		
ISSUE FOR CONSTRUCTION		
R.D. PELKEY 4/8/03		
T. NEVILLE		
J. CARNEVALE		
TCN HOAB-B2065	3	SIGNATURES ON FILE
WR 2001346		
SHEETS 1 & 7		
REVISED PER AS BUILT		
CONDITIONS		
P. CARSON 7/31/05		
A. ROMEO		
J. CARNEVALE		

GEOMETRIC CHARACTERISTIC SYMBOLS	
FLATNESS	—
STRAIGHTNESS	—
ROUNDNESS (CIRCULARITY)	○
CYLINDRICITY	○
PROFILE OF ANY LINE	—
PROFILE OF ANY SURFACE	—
PARALLELISM	—
PERPENDICULARITY (SQUARENESS)	—
ANGULARITY	—
RUNOUT	—
TRUE POSITION	—
CONCENTRICITY	—
SYMMETRY	—
MAXIMUM MATERIAL CONDITION (MMC)	—
REGARDLESS OF FEATURE SIZE	—

DFTM.	WDO/PWI	DATE	2-26-02
CHKR.			
ENGRG.	T. NEVILLE	DATE	11-28-01
MFG.			
APPD.			
DFTG. IUPV.	J. CARNEVALE		

BOMBARDIER	
TITLE	
GEORGE BUSH INTERNATIONAL AIRPORT	
HOUSTON PHASE 2 EXTENSION	
DIMENSIONS IN	
SUBSTATION #2 PLAN	
SIZE	DWG. NO.
D	6D60557
SCALE 1/4" = 1'-0"	REV. 3
SHEET 4	



THIS DOCUMENT AND ITS CONTENTS ARE THE PROPERTY OF BOMBARDIER INC. OR ITS SUBSIDIARIES. THIS DOCUMENT CONTAINS CONFIDENTIAL PROPRIETARY INFORMATION. THE REPRODUCTION, DISTRIBUTION, UTILIZATION OR THE COMMUNICATION OF THIS DOCUMENT OR ANY PART THEREOF, WITHOUT EXPRESS AUTHORIZATION IS STRICTLY PROHIBITED. OFFENDERS WILL BE HELD LIABLE FOR THE PAYMENT OF DAMAGES.

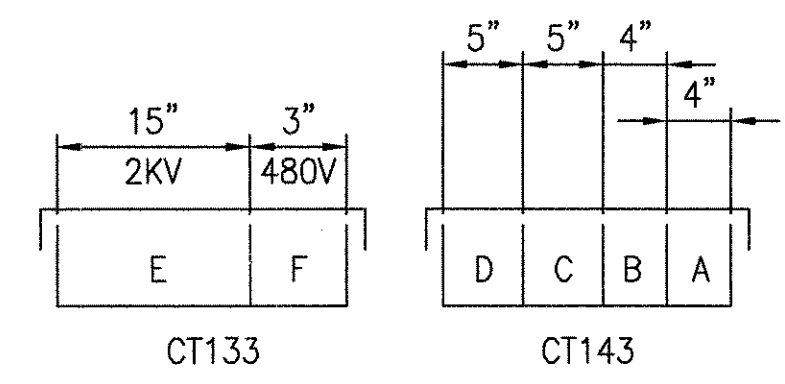
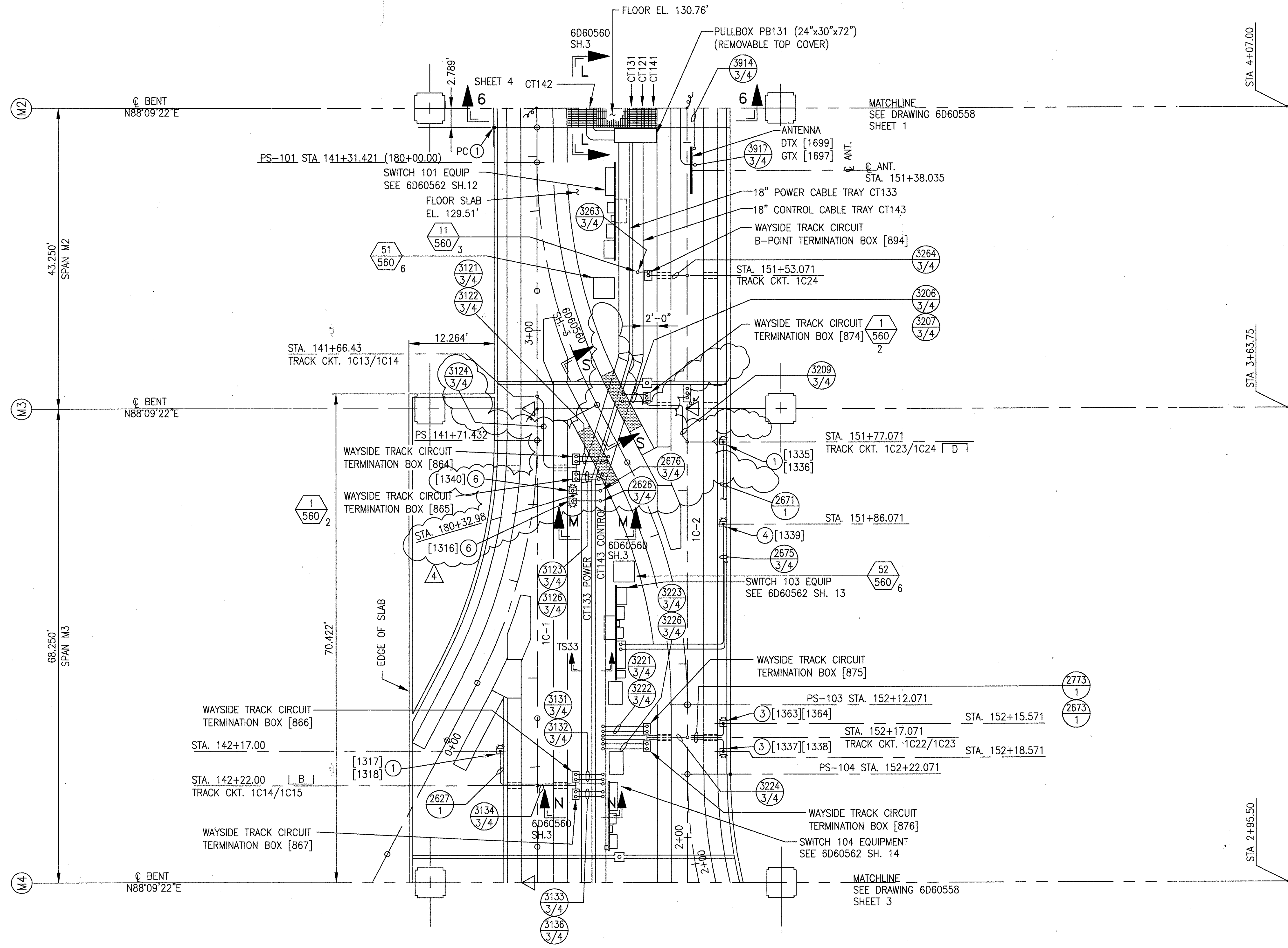
AutoCAD

1	TCN HOAB-B2065 D. 7DSB73-A CHANGE
2	SIGNATURES ON FILE TCN HOAB-B2065 ECM42824 ADD 1095, 1096, 1071 & 1072 REVISE PB140 ISSUE FOR CONSTRUCTION R.D. PELKEY 4/8/03 T. NEVILLE 5/4/03 J. CARNEVALE 5/5/03
3	SIGNATURES ON FILE TCN HOAB-B2065 ECM42923 EXTENDED CONDUIT 1175, 1776, 1777 & 1778 TO TRANSITION BOX SEE SHT. 3 FOR CHGS. F. BELMARES 7-1-03 T. NEVILLE J. CARNEVALE
4	SIGNATURES ON FILE TON HOAB-B2065 WR 2001346 SHEETS 1, 2 & 3 REVISED PER AS BUILT CONDITIONS P. CARSON 7/31/05 A. ROMEO J. CARNEVALE

GEOMETRIC CHARACTERISTIC SYMBOLS	
FLATNESS	—
STRAIGHTNESS	—
ROUNDNESS (CIRCULARITY)	—
CYLINDRICITY	—
PROFILE OF ANY LINE	—
PROFILE OF ANY SURFACE	—
PARALLELISM	—
PERPENDICULARITY (SQUARENESS)	—
ANGULARITY	—
RUNOUT	—
TRUE POSITION	—
CONCENTRICITY	—
SYMMETRY	—
MAXIMUM MATERIAL CONDITION (MMC)	—
REGARDLESS OF FEATURE SIZE	—

DFTM.	RFE/PWI	DATE
ENGRG.	T. NEVILLE	11-21-01
MFG.		
APPD.		
DFTG. SUPV.	J. CARNEVALE	

BOMBARDIER	
TITLE GEORGE BUSH INTERCONTINENTAL AIRPORT HOUSTON PHASE 2 EXTENSION MAINTENANCE YARD PLAN	
DIMENSIONS IN	DWG. NO.
SCALE 1/8"=1'-0" WT.	6D60558
SHEET 1 OF 4	REV. 4



TS33

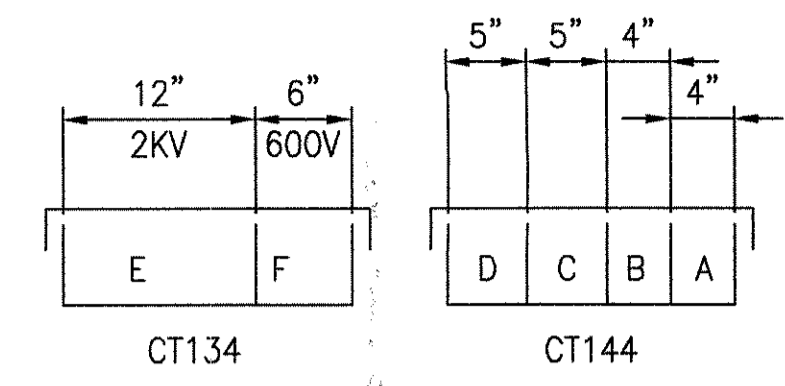
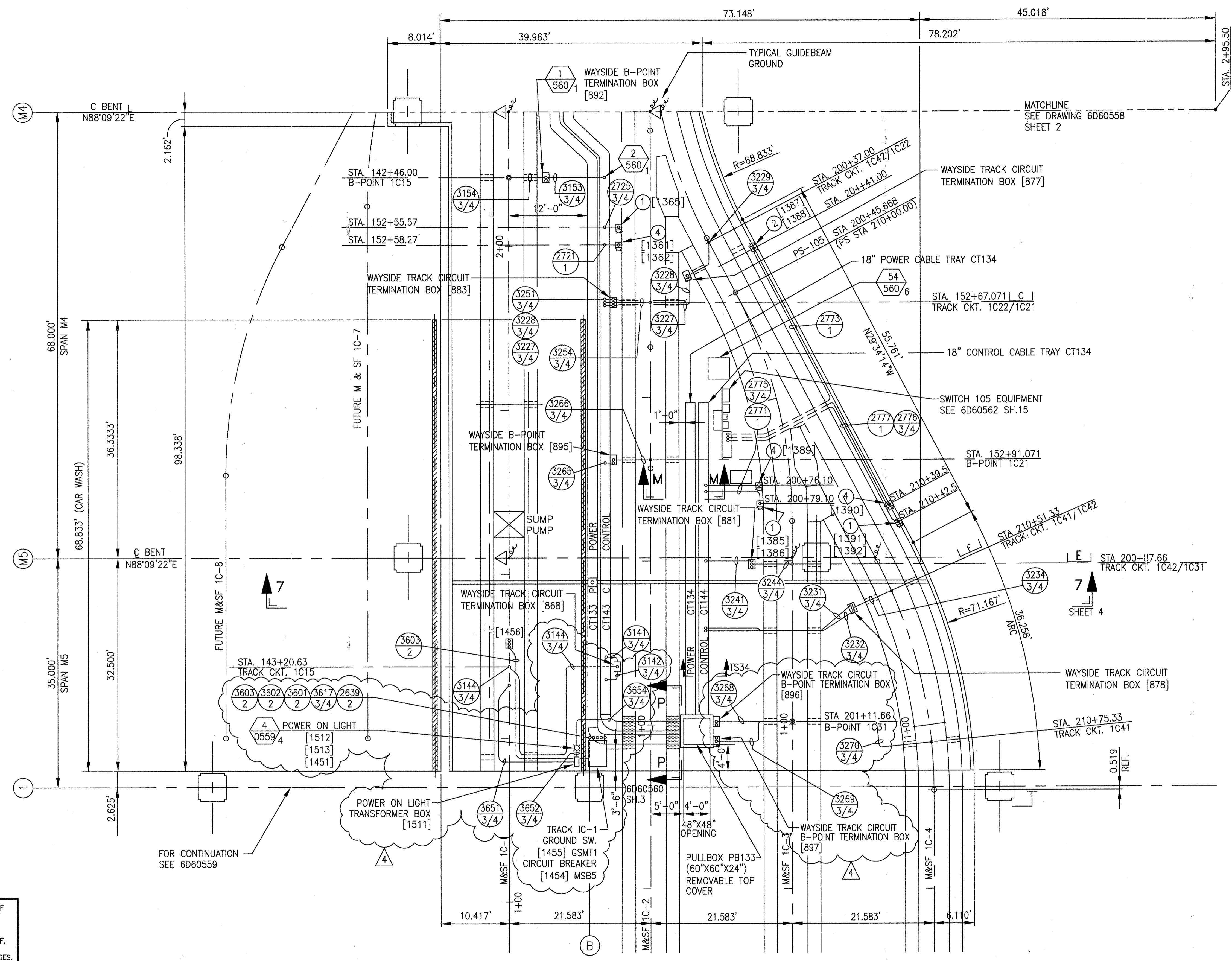
THIS DOCUMENT AND ITS CONTENTS ARE THE PROPERTY OF BOMBARDIER INC. OR ITS SUBSIDIARIES. THIS DOCUMENT CONTAINS CONFIDENTIAL PROPRIETARY INFORMATION. THE REPRODUCTION, DISTRIBUTION, UTILIZATION OR THE COMMUNICATION OF THIS DOCUMENT OR ANY PART THEREOF, WITHOUT EXPRESS AUTHORIZATION IS STRICTLY PROHIBITED. OFFENDERS WILL BE HELD LIABLE FOR THE PAYMENT OF DAMAGES.

1	TCN HOAB-B2065 D. 7/25/873-A CHANGE	(R)
2	TCN HOAB-B2065 EON42824 ADD DETAIL 51 & 52 REVISE TS33 SIGNAL LIGHT 1337 & 1338 ISSUE FOR CONSTRUCTION R.D. PELKEY 4/8/03 T. NEVILLE 5/4/03 J. CARNEVALE 5/5/03	(R)
3	TCN HOAB-B2065 EON42923 NO CHANGES THIS SHT. SEE SHTS. 1 & 3 F. BELMARES 7-2-03 T. NEVILLE J. CARNEVALE	(R)
4	TCN HOAB-B2065 WR 2001346 SHEETS 1, 2 & 3 REVISED PER AS BUILT CONDITIONS P. CARSON 7/31/05 A. ROMEO J. CARNEVALE	(R)

GEOMETRIC CHARACTERISTIC SYMBOLS	
FLATNESS	<input type="checkbox"/>
STRAIGHTNESS	<input type="checkbox"/>
ROUNDNESS (CIRCULARITY)	<input type="checkbox"/>
CYLINDRICITY	<input type="checkbox"/>
PROFILE OF ANY LINE	<input type="checkbox"/>
PROFILE OF ANY SURFACE	<input type="checkbox"/>
PARALLELISM	<input type="checkbox"/>
PERPENDICULARITY (SQUARENESS)	<input type="checkbox"/>
ANGULARITY	<input type="checkbox"/>
RUNOUT	<input type="checkbox"/>
TRUE POSITION	<input type="checkbox"/>
CONCENTRICITY	<input type="checkbox"/>
SYMMETRY	<input type="checkbox"/>
MAXIMUM MATERIAL CONDITION (MMC)	<input type="checkbox"/>
REGARDLESS OF FEATURE SIZE	<input type="checkbox"/>

DFTM. RFE/PWI	DATE 1-02-02
CHKR.	
ENGRG. T. NEVILLE	11-21-01
MFG.	
APPD.	
DFTG. SUPV. J. CARNEVALE	

BOMBARDIER	
TITLE GEORGE BUSH INTERCONTINENTAL AIRPORT HOUSTON PHASE 2 EXTENSION MAINTENANCE YARD PLAN	
DIMENSIONS IN	DWG. NO. 6D60558
SCALE 1/8"=1'-0" WT.	REV. 4
SHEET 2	



TS34

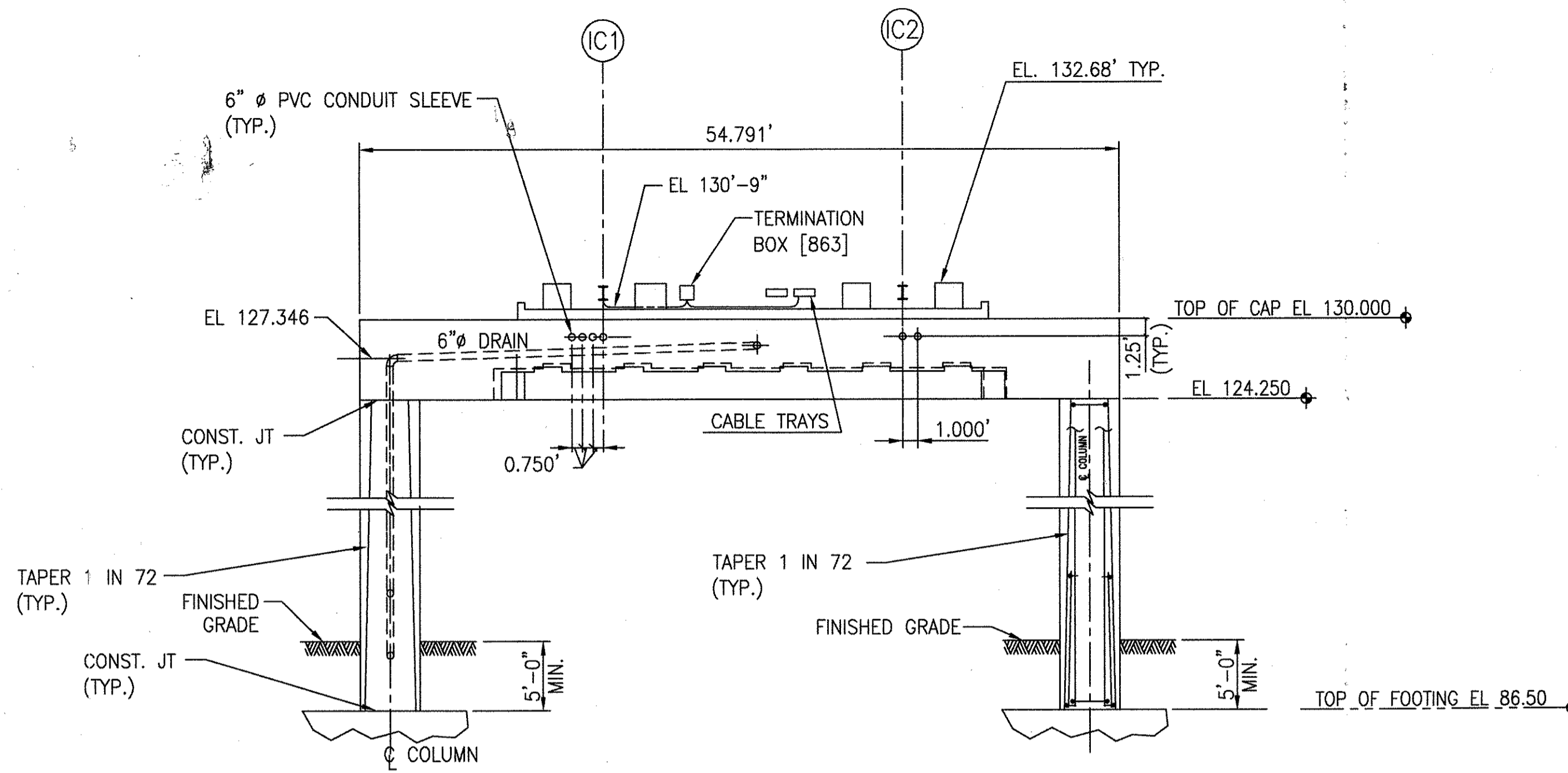
THIS DOCUMENT AND ITS CONTENTS ARE THE PROPERTY OF BOMBARDIER INC. OR ITS SUBSIDIARIES. THIS DOCUMENT CONTAINS CONFIDENTIAL PROPRIETARY INFORMATION. THE REPRODUCTION, DISTRIBUTION, UTILIZATION OR THE COMMUNICATION OF THIS DOCUMENT OR ANY PART THEREOF, WITHOUT EXPRESS AUTHORIZATION IS STRICTLY PROHIBITED. OFFENDERS WILL BE HELD LIABLE FOR THE PAYMENT OF DAMAGES.

1	TCN HOAB-B2065	SIGNATURES ON FILE
2	7DSB73-A	TCN HOAB-B2065
3	CHANGE	ECM42824
4		ADD DETAIL 54
		REVISE SIGNAL LIGHT
		1387&1388
		ISSUE FOR CONSTRUCTION
		R.D. PELKEY 4/8/03
		T. NEVILLE 5/4/03
		J. CARNEVALE 5/5/03
		SIGNATURES ON FILE
		TCN HOAB-A3013
		ECM42923
		REVISED CABLE/CONDUIT
		3252, 3242, 3236-
		3252, 3242 & 3236
		REVISED 3227 & 3228
		SEE SHT. 1 FOR CHGS.
		F. BELMARES 7-2-03
		T. NEVILLE
		J. CARNEVALE
		SIGNATURES ON FILE
		TCN HOAB-B2065
		WR 2001346
		SHEETS 1, 2 & 3
		REVISED PER AS BUILT
		CONDITIONS
		P. CARSON 7/31/05
		A. ROMEO
		J. CARNEVALE

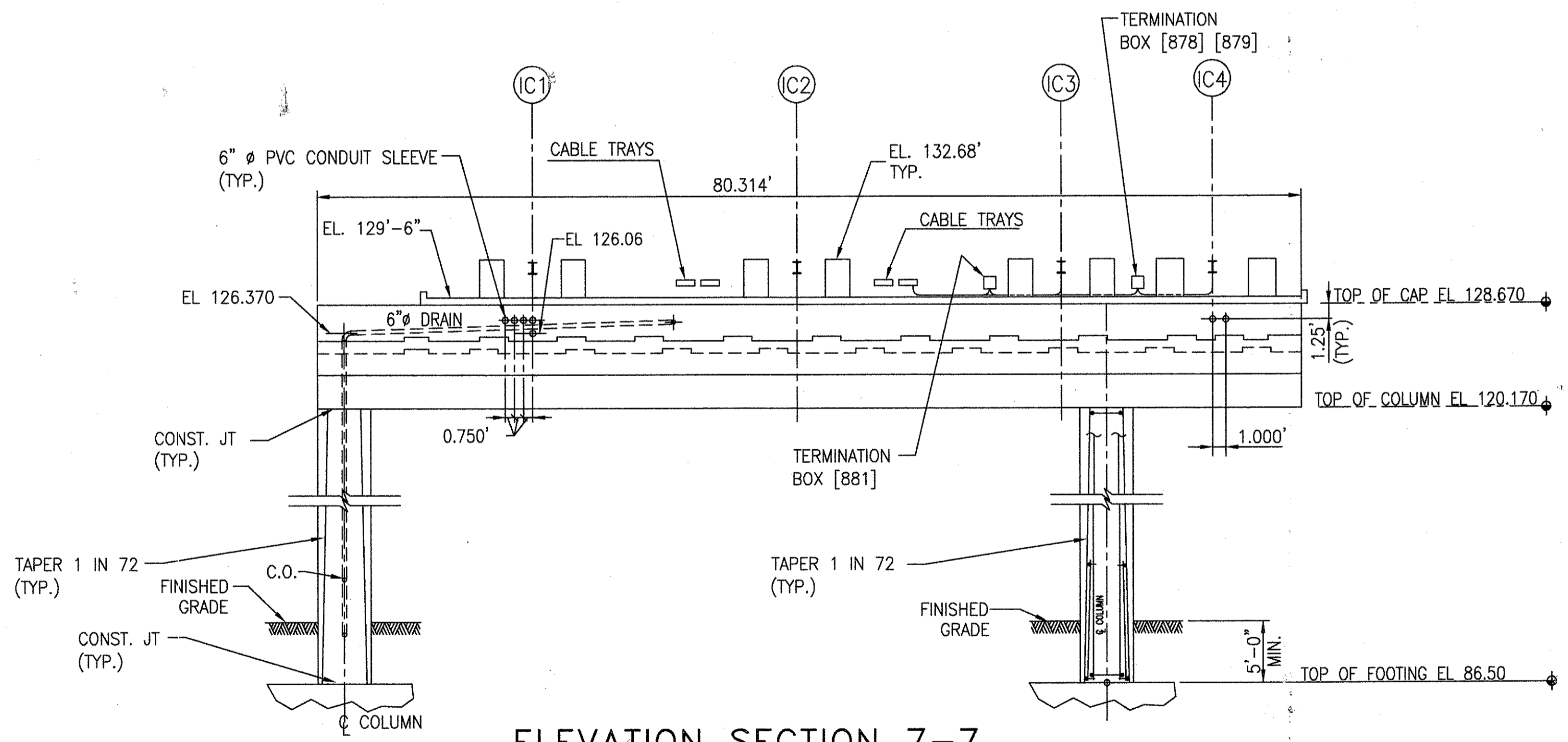
GEOMETRIC CHARACTERISTIC SYMBOLS	
FLATNESS	—
STRAIGHTNESS	—
ROUNDNESS (CIRCULARITY)	○
CYLINDRICITY	○
PROFILE OF ANY LINE	—
PROFILE OF ANY SURFACE	—
PARALLELISM	—
PERPENDICULARITY (SQUARENESS)	—
ANGULARITY	—
RUNOUT	—
TRUE POSITION	—
CONCENTRICITY	—
SYMMETRY	—
MAXIMUM MATERIAL CONDITION (MMC)	—
REGARDLESS OF FEATURE SIZE	—

DFTM.	RFE/PWI	DATE	1-02-02
CHKR.			
ENGRG.	T. NEVILLE	11-21-01	
MFG.			
APPD.			
DFTG. SUPV.	J. CARNEVALE		

BOMBARDIER	
TITLE GEORGE BUSH INTERCONTINENTAL AIRPORT	
HOUSTON PHASE 2 EXTENSION	
DIMENSIONS IN MAINTENANCE YARD PLAN	
SIZE D	DWG. NO. 6D60558
SCALE 1/8"=1'-0" WT.	REV. 4
SHEET 3	



ELEVATION SECTION 6-6
(BENT M2)



ELEVATION SECTION 7-7
(BENT M5)

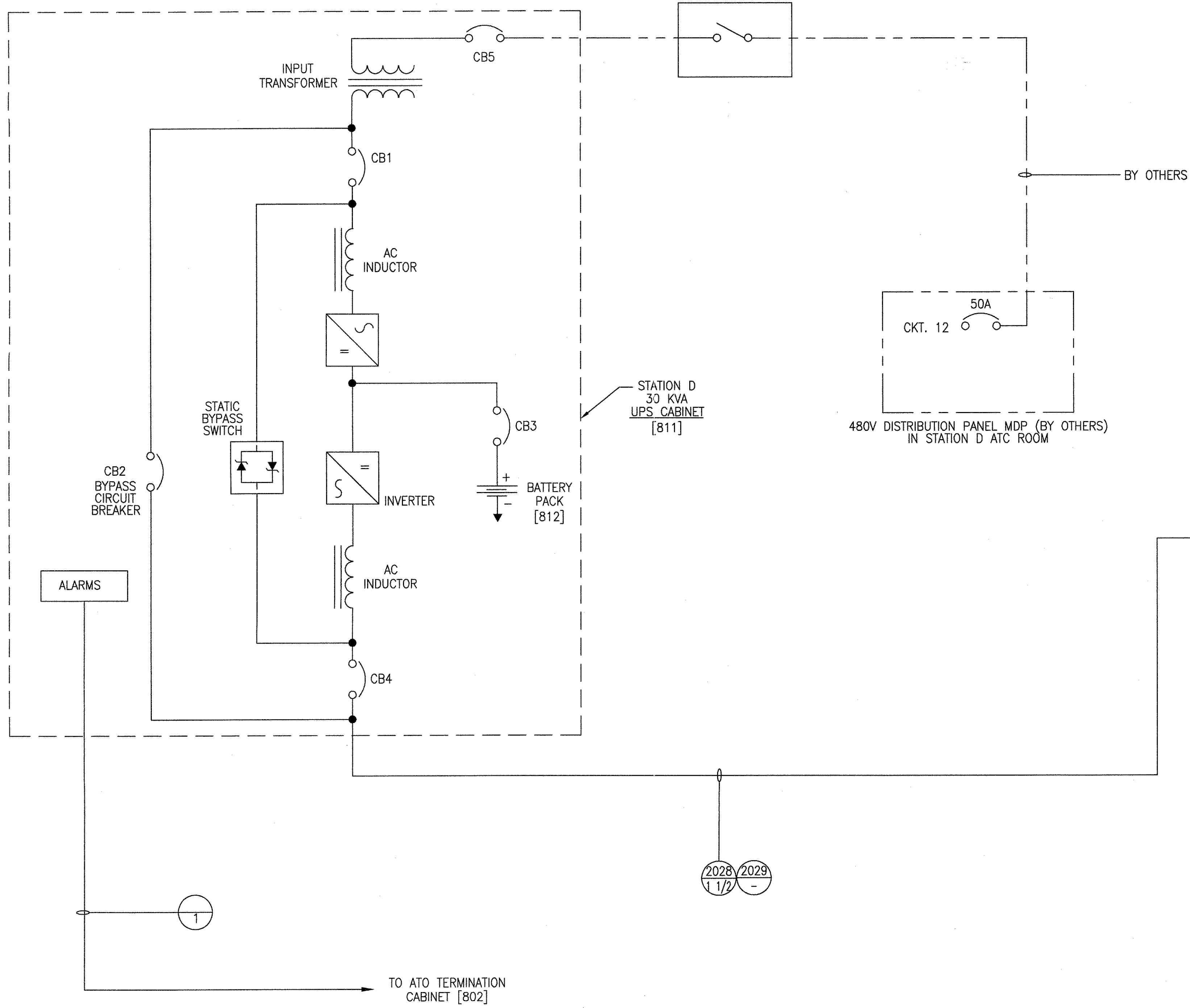
THIS DOCUMENT AND ITS CONTENTS ARE THE PROPERTY OF BOMBARDIER INC. OR ITS SUBSIDIARIES. THIS DOCUMENT CONTAINS CONFIDENTIAL PROPRIETARY INFORMATION. THE REPRODUCTION, DISTRIBUTION, UTILIZATION OR THE COMMUNICATION OF THIS DOCUMENT OR ANY PART THEREOF, WITHOUT EXPRESS AUTHORIZATION IS STRICTLY PROHIBITED. OFFENDERS WILL BE HELD LIABLE FOR THE PAYMENT OF DAMAGES.

TCN HOAB-B2065 D. 7DS873-A CHANGE	1	SIGNATURES ON FILE
TCN HOAB-B2065 ECM42824	2	SIGNATURES ON FILE
NO CHANGE THIS SHEET ISSUE FOR CONSTRUCTION R.D. PELKEY 4/8/03 T. NEVILLE 5/4/03 J. CARNEVALE 5/5/03	3	SIGNATURES ON FILE
NO CHANGES THIS SHT. SEE SHTS. 1 & 3 F. BELMARES 7-2-03 T. NEVILLE J. CARNEVALE	4	SIGNATURES ON FILE
NO DRAWING CHANGE TO THIS SHEET, FORMAT CHANGE ONLY P. CARSON 7/31/05 A. ROMEO J. CARNEVALE		

GEOMETRIC CHARACTERISTIC SYMBOLS	
FLATNESS	□
STRAIGHTNESS	—
ROUNDNESS (CIRCULARITY)	○
CYLINDRICITY	⊘
PROFILE OF ANY LINE	⌒
PROFILE OF ANY SURFACE	⌒
PARALLELISM	∥
PERPENDICULARITY (SQUARENESS)	⊥
ANGULARITY	∠
RUNOUT	↻
TRUE POSITION	⊕
CONCENTRICITY	⊙
SYMMETRY	⊞
MAXIMUM MATERIAL CONDITION (MMC)	Ⓜ
REGARDLESS OF FEATURE SIZE	Ⓜ

DFTM.	RFE / 2WI	DATE	1-02-02
CHKR.			
ENGRG.	T. NEVILLE	DATE	11-21-01
MFG.			
APPD.			
DFTG. : JUPV, J. CARNEVALE			

BOMBARDIER			
TITLE GEORGE BUSH INTERCONTINENTAL AIRPORT			
HOUSTON PHASE 2 EXTENSION			
ELEVATION SECTIONS			
SIZE	DWG. NO.	REV.	
D	6D60558	4	
SCALE 1/8"=1'-0"		SHEET	4



ELECTRICAL DATA: 120/208 3 ϕ / 4W
 PANEL TYPE: UPS DISTRIBUTION
 MAINS: 100 AMP MOLDED CASE CKT. BKR
 MOUNTING SURFACE: SURFACE

CABLE	IDENTIFICATION	WATTS	AMP TRIP CB	POLES	CIR. No.	A	B	C	CIR. No.	POLES	AMP TRIP CB	WATTS	IDENTIFICATION	CABLE
3291	NORTH ATO CABINET [801]	720	15	1	1	•			2	1	15	720	SOUTH ATO CABINET [803]	3292
2496	SWITCH SBB [1280]		15	1	3	•			4	1	15		EMERG. WALKWAY LGT CONTACTOR [816]	3295
3294	COMM CAB D [809]	104	20	1	5	•			6	1	15	560	PA CABINET [808]	3293
2346	SWITCH SB5 [1206]		15	1	7	•			8	1	15		TIE BREAKER TB6 [727]	3296
2446	SWITCH SB7 [1256]		15	1	9	•			10	1	15	20	NORTH GUIDEWAY GROUND FAULT RELAY [776]	2845
2301	SWITCH 31 LCC [1203]	620	15	1	11	•			12	1	15	20	SOUTH GUIDEWAY GROUND FAULT RELAY [777]	2848
2351	SWITCH 32 LCC [1227]	620	15	1	13	•			14	1	15		NORTH TX/RX CAB-C [804]	3297
2401	SWITCH 33 LCC [1253]	820	15	1	15	•			16	1	15		SOUTH TX/RX CAB-D [806]	3298
2451	SWITCH 34 LCC [1277]	820	15	1	17	•			18	1	15		SPARE	
	SPARE		15	1	19	•			20	3	30		SUBSTATION #2 UPS PANEL [730]	3285
	SPARE		15	1	21	•			22	-	-		---	
	SPARE		15	1	23	•			24	-	-		---	
3286	NORTH PLATFORM	40	3	25	25	•			26	3	40		SOUTH PLATFORM	
	UPS PANEL [969]		-	-	27	•			28	-	-		UPS PANEL [979]	3287
	---		-	-	29	•			30	-	-		---	
2028	MAIN BREAKER		100	3	31				32	3	40	13000	EMERGENCY WALKWAY	
2029	---		-	-	33				34	-	-		LIGHTING PWR TRANSFORMER [814]	3281
	---		-	-	35				36	-	-		---	

SEE SH.3

STATION D
 UPS DISTRIBUTION PANEL
 [813]

ELECTRICAL DATA: 120/208V 3 ϕ / 4W
 PANEL TYPE: UPS DISTRIBUTION
 MAINS: 30 AMP MOLDED CASE CKT. BKR
 MOUNTING SURFACE: FLUSH

CABLE	IDENTIFICATION	WATTS	AMP TRIP CB	POLES	CIR. No.	A	B	C	CIR. No.	POLES	AMP TRIP CB	WATTS	IDENTIFICATION	CABLE
3271	600V SWITCHGEAR PLC [713]	30	15	1	1	•			2	1	15	30	600V SWITCHGEAR PLC [717]	3273
3272	600V SWITCHGEAR RELAYS [715]	30	15	1	3	•			4	1	15	70	SUB-2 BLUE LIGHT [740]	3274
	SPARE		15	1	5	•			6	1	15	30	SUB-2 15KV [702]	3275
3285	MAIN BREAKER		-	30	3	7	•		8	1	15		SPARE	
	---		-	-	9	•			10	1	15		SPARE	
	---		-	-	11	•			12	1	15		SPARE	

TOTAL LOAD - 200 WATTS

SUBSTATION #2
 UPS DISTRIBUTION PANEL
 [730]

THIS DOCUMENT AND ITS CONTENTS ARE THE PROPERTY OF BOMBARDIER INC. OR ITS SUBSIDIARIES. THIS DOCUMENT CONTAINS CONFIDENTIAL PROPRIETARY INFORMATION. THE REPRODUCTION, DISTRIBUTION, UTILIZATION OR THE COMMUNICATION OF THIS DOCUMENT OR ANY PART THEREOF, WITHOUT EXPRESS AUTHORIZATION IS STRICTLY PROHIBITED. OFFENDERS WILL BE HELD LIABLE FOR THE PAYMENT OF DAMAGES.

AutoCAD

1	TCN HOAB-B2065 D. 7DS873-A	CHANGE
2	TCN HOAB-B2065 ECN42824	SIGNATURES ON FILE
3	TCN HOAB-B2065 ECN42923	SIGNATURES ON FILE
4	TCN HOAB-B2065 WR 2001346	SIGNATURES ON FILE

NO CHANGE THIS SHEET SEE SHEET 3

F. BELMARES 7/3/03
 T. NEVILLE
 J. CARNEVALE

SHEETS 2 & 3 REVISED PER AS BUILT CONDITIONS

P. CARSON 7/31/05
 A. ROMEO
 J. CARNEVALE

GEOMETRIC CHARACTERISTIC SYMBOLS

FLATNESS	□
STRAIGHTNESS	—
ROUNDNESS (CIRCULARITY)	○
CYLINDRICITY	∅
PROFILE OF ANY LINE	—
PROFILE OF ANY SURFACE	—
PARALLELISM	∥
PERPENDICULARITY (SQUARENESS)	⊥
ANGULARITY	∠
RUNOUT	—
TRUE POSITION	—
CONCENTRICITY	—
SYMMETRY	—
MAXIMUM MATERIAL CONDITION (MMC)	Ⓜ
REGARDLESS OF FEATURE SIZE	—

DFTM. DATE 12-20-01

WDO/PWI

CHKR.

ENGRG. T. NEVILLE 11-30-01

MFG.

APPD.

DFTG. SUPPLY J. CARNEVALE

BOMBARDIER

TITLE: GEORGE BUSH INTERCONTINENTAL AIRPORT
 HOUSTON PHASE 2 EXTENSION
 UPS PANEL SCHEDULE

DIMENSIONS IN 3

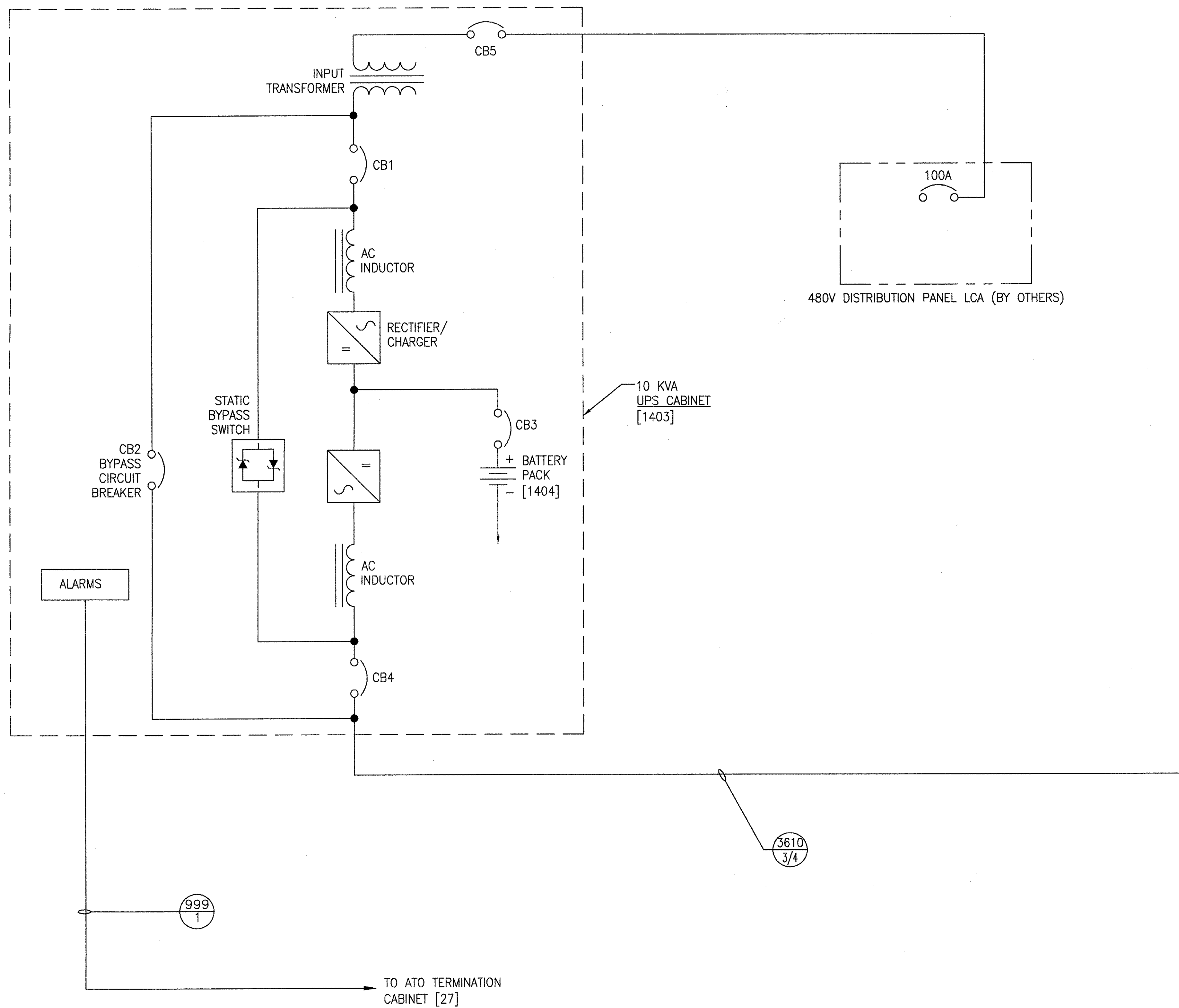
SIZE D

DWG. NO. 6D60564

REV. 4

SCALE NONE WT.

SHEET 1 OF 3



ELECTRICAL DATA: 120/208 3 ϕ /4W
 PANEL TYPE: UPS DISTRIBUTION [1405]

MAINS: 75 AMP MOLDED CASE CKT. BKR
 MOUNTING SURFACE: SURFACE

CABLE	IDENTIFICATION	WATTS	AMP TRIP CB	POLES	CIR. No.	A	B	C	CIR. No.	POLES	AMP TRIP CB	WATTS	IDENTIFICATION	CABLE
3741	ATO CABINET [1401]	720	15	1	1	●			2	1	15	30	COMM - MDF [1410]	3748
3742	MOTOR CONTROL CENTER		15	1	3	●			4	1	15	560	PA CABINET [1411]	3744
3617	SWITCH BREAKER MSB5 [1454]		15	1	5	●			6	1	15		PLC CONTROL PANEL [1409]	3743
2646	SWITCH BREAKER MSB3 [1306]		15	1	7	●			8	1	15		GROUND SWITCH-105 [1375]	2796
2696	SWITCH BREAKER MSB4 [1330]		15	1	9	●			10	1	15		GROUND SWITCH TRACK 2 [1465]	3745
2601	SWITCH 101 LCC [1303]	820	15	1	11	●			12	1	15		GROUND SWITCH TRACK 3 [1475]	3746
2651	SWITCH 103 LCC [1327]	620	15	1	13	●			14	1	15		GROUND SWITCH TRACK 4 [1485]	3747
2701	SWITCH 104 LCC [1353]	620	15	1	15	●			16	1	15		BLUE LIGHTS-MAINT. TRACK	3278
2751	SWITCH 105 LCC [1377]	820	15	1	17	●			18	1	15		SPARE	
3610	MAIN BREAKER		75	3	19	●			20	1	15		SPARE	
--	--				21	●			22	1	15		SPARE	
--	--				23	●			24	1	15		SPARE	

TOTAL LOAD -- WATTS

MAINTENANCE BUILDING
 UPS DISTRIBUTION PANEL
 [1405]

ELECTRICAL DATA: 480/277V 3 ϕ /4W
 PANEL TYPE: DISTRIBUTION PANEL [1407]

MAINS: 100 AMP MOLDED CASE CKT. BKR
 MOUNTING SURFACE: SURFACE

CABLE	IDENTIFICATION	WATTS	AMP TRIP CB	POLES	CIR. No.	A	B	C	AMP TRIP CB	POLES	CIR. No.	WATTS	IDENTIFICATION	CABLE
2602	SWITCH #101 HYD. UNIT [1302]	3600	20	3	1	●			2	3	20	3600	SWITCH #104 HYD. UNIT [1352]	2702
--	--				3	●			4				--	
--	--				5	●			6				--	
2652	SWITCH #103 HYD. UNIT [1326]	3600	20	3	7	●			8	3	20	3600	SWITCH #105 HYD. UNIT [1376]	2752
--	--				9	●			10				--	
--	--				11	●			12				--	
3161	MAINT YARD POWER ZONE [1591]	2500		2	13	●			14	3	20		SPARE	
	MAINT YARD POWER ZONE [1591]	2500			15	●			16					
	SPARE			1	17	●			18				--	
2056	MAIN BREAKER		100	3	19	●			20	3	20		SPARE	
--	--				21	●			22				--	
--	--				23	●			24				--	

TOTAL LOAD - 14400 WATTS

MAINTENANCE BUILDING
 SWITCH POWER PANEL

THIS DOCUMENT AND ITS CONTENTS ARE THE PROPERTY OF BOMBARDIER INC. OR ITS SUBSIDIARIES. THIS DOCUMENT CONTAINS CONFIDENTIAL PROPRIETARY INFORMATION. THE REPRODUCTION, DISTRIBUTION, UTILIZATION OR THE COMMUNICATION OF THIS DOCUMENT OR ANY PART THEREOF, WITHOUT EXPRESS AUTHORIZATION IS STRICTLY PROHIBITED. OFFENDERS WILL BE HELD LIABLE FOR THE PAYMENT OF DAMAGES.

AutoCAD

1	TCN HOAB-B2065 D. 7DS873-A CHANGE
2	SIGNATURES ON FILE TCN HOAB-B2065 ECN42824 REVISED CKT. 3, 5, 16 & 18. ADDED CIRCUIT NO. 16 FOR BLUE LIGHTS AT READY & RECEIVE TRACK ISSUE FOR CONSTRUCTION R.D. PELKEY 4/8/03 T. NEVILLE 5/4/03 J. CARNEVALE 5/5/03
3	SIGNATURES ON FILE TCN HOAB-B2065 ECN42923 NO CHANGE THIS SHEET SEE SHEET 3 F. BELMARES 7/3/03 T. NEVILLE J. CARNEVALE
4	SIGNATURES ON FILE TCN HOAB-B2065 WR 2001346 SHEETS 2 & 3 REVISED PER AS BUILT CONDITIONS P. CARSON 7/31/05 A. ROMEO J. CARNEVALE

GEOMETRIC CHARACTERISTIC SYMBOLS

FLATNESS	—
STRAIGHTNESS	—
ROUNDNESS (CIRCULARITY)	—
CYLINDRICITY	—
PROFILE OF ANY LINE	—
PROFILE OF ANY SURFACE	—
PARALLELISM	—
PERPENDICULARITY (SQUARENESS)	—
ANGULARITY	—
RUNOUT	—
TRUE POSITION	—
CONCENTRICITY	—
SYMMETRY	—
MAXIMUM MATERIAL CONDITION (MMC)	—
REGARDLESS OF FEATURE SIZE	—

DFTM.	WDO/PWI	12-20-01
CHKR.		
ENGR.	T. NEVILLE	11-30-01
MFG.		
APPD.		
DFTG. SUPV.	J. CARNEVALE	

BOMBARDIER

TITLE: GEORGE BUSH INTERCONTINENTAL AIRPORT
 HOUSTON PHASE 2 EXTENSION
 UPS PANEL SCHEDULE

DIMENSIONS IN INCHES
 DWG. NO. 6D60564
 REV. 4
 SCALE NONE WT. SHEET 2

ELECTRICAL DATA: 120/208 3Ø/4W													MAINS: 100 AMP MAIN		
PANEL TYPE: UPS DISTRIBUTION [969]													MOUNTING SURFACE: FLUSH		
CABLE	IDENTIFICATION	WATTS	AMP TRIP CB	POLES	CIR. No.	A	B	C	CIR. No.	POLES	AMP TRIP CB	WATTS	IDENTIFICATION	CABLE	
3401	NORTH GUIDEWAY DOOR A-1-2 [901]	350	15	1	1	●			2	1	15	350	NORTH GUIDEWAY DOOR A-2-2 [903]	3403	
3402	NORTH GUIDEWAY DOOR B-1-2 [902]	350	15	1	3		●		4	1	15	350	NORTH GUIDEWAY DOOR B-2-2 [904]	3404	
3411	LED GRAPHICS SIGN RECEPTACLE	600	15	1	5			●	6	1	15	150	NORTH GUIDEWAY BLUE LIGHT	3407	
	SPARE		15	1	7	●			8	1	15	1	NORTH MOTION SENSOR	3406	
	SPARE		15	1	9		●		10	1	15	30	EMERGENCY DOOR ALARM PANEL	3409	
	SPARE		15	1	11			●	12	1	15		SPARE		
3286	MAIN BREAKER			3	13	●			14	1	15		SPARE		
--	--			--	15			●	16	1	15		SPARE		
--	--			--	17			●	18	1	15		SPARE		

STATION D NORTH PLATFORM
UPS DISTRIBUTION PANEL

TOTAL LOAD - WATTS

ELECTRICAL DATA: 120/208 3Ø/4W													MAINS: 100 AMP MAIN		
PANEL TYPE: UPS DISTRIBUTION [979]													MOUNTING SURFACE: FLUSH		
CABLE	IDENTIFICATION	WATTS	AMP TRIP CB	POLES	CIR. No.	A	B	C	CIR. No.	POLES	AMP TRIP CB	WATTS	IDENTIFICATION	CABLE	
3421	SOUTH GUIDEWAY DOOR B-1-3 [905]	350	15	1	1	●			2		15	350	SOUTH GUIDEWAY DOOR B-2-3 [907]	3423	
3422	SOUTH GUIDEWAY DOOR A-1-3 [906]	350	15	1	3		●		4		15	350	SOUTH GUIDEWAY DOOR A-2-3 [908]	3424	
3431	LED GRAPHICS SIGNS RECEPTACLES	600	15	1	5			●	6		15	150	SOUTH GUIDEWAY BLUE LIGHTS	3427	
	SPARE		15	1	7	●			8		15	1	SOUTH MOTION SENSOR	3405	
	SPARE		15	1	9		●		10		15	30	EMERGENCY DOOR ALARM PANEL	3429	
	SPARE		15	1	11			●	12		15		SPARE		
3287	MAIN BREAKER			3	13	●			14		15		SPARE		
--	--			--	15			●	16		15		SPARE		
--	--			--	17			●	18		15		SPARE		

STATION D SOUTH PLATFORM
UPS DISTRIBUTION PANEL

TOTAL LOAD - WATTS

ELECTRICAL DATA: 480/227V 3Ø/4W													MAINS: 50 AMP MAIN		
PANEL TYPE: DISTRIBUTION PANEL [710]													MOUNTING SURFACE: SURFACE		
CABLE	IDENTIFICATION	WATTS	AMP TRIP CB	POLES	CIR. No.	A	B	C	CIR. No.	POLES	AMP TRIP CB	WATTS	IDENTIFICATION	CABLE	
2102	SWITCH #21 HYD. UNIT [1102]	3600	20	3	1	●			2	3	20	3600	SWITCH #22 HYD. UNIT [1126]	2152	
--	--			--	3		●		4	--			--		
--	--			--	5			●	6	--			--		
2202	SWITCH #23 HYD. UNIT [1152]	3600	20	3	7	●			8	3	20	3600	SWITCH #24 HYD. UNIT [1176]	2252	
--	--			--	9		●		10	--			--		
--	--			--	11			●	12	--			--		
2502	SWITCH #41 HYD. UNIT [1052]	3600	20	3	13	●			14	3	20	3600	SWITCH #42 HYD. UNIT [1076]	2552	
--	--			--	15		●		16	--			--		
--	--			--	17			●	18	--			--		
2037	MAIN BREAKER		50	3	19	●			20	3			SPARE		
--	--			--	21		●		22	--			--		
--	--			--	23			●	24	--			--		

SWITCH POWER PANEL
SUBSTATION #1

TOTAL LOAD - 21600 WATTS

ELECTRICAL DATA: 480/227V 3Ø/4W													MAINS: 50 AMP MAIN		
PANEL TYPE: DISTRIBUTION PANEL [708]													MOUNTING SURFACE: SURFACE		
CABLE	IDENTIFICATION	WATTS	AMP TRIP CB	POLES	CIR. No.	A	B	C	CIR. No.	POLES	AMP TRIP CB	WATTS	IDENTIFICATION	CABLE	
2302	SWITCH #31 HYD. UNIT [1202]	3600	20	3	1	●			2	3	20	3600	SWITCH #32 HYD. UNIT [1226]	2352	
--	--			--	3		●		4	--			--		
--	--			--	5			●	6	--			--		
2402	SWITCH #33 HYD. UNIT [1252]	3600	20	3	7	●			8	3	20	3600	SWITCH #34 HYD. UNIT [1276]	2452	
--	--			--	9		●		10	--			--		
--	--			--	11			●	12	--			--		
	SPARE				13		●		14	1			SPARE		
	SPARE				15		●		16	1			SPARE		
	SPARE				17			●	18	1			SPARE		
2027	MAIN BREAKER		50	3	19	●			20	3			SPARE		
--	--			--	21		●		22	--			--		
--	--			--	23			●	24	--			--		

SWITCH POWER PANEL
SUBSTATION #2

TOTAL LOAD - 14,400 WATTS

THIS DOCUMENT AND ITS CONTENTS ARE THE PROPERTY OF BOMBARDIER INC. OR ITS SUBSIDIARIES. THIS DOCUMENT CONTAINS CONFIDENTIAL PROPRIETARY INFORMATION. THE REPRODUCTION, DISTRIBUTION, UTILIZATION OR THE COMMUNICATION OF THIS DOCUMENT OR ANY PART THEREOF, WITHOUT EXPRESS AUTHORIZATION IS STRICTLY PROHIBITED. OFFENDERS WILL BE HELD LIABLE FOR THE PAYMENT OF DAMAGES.

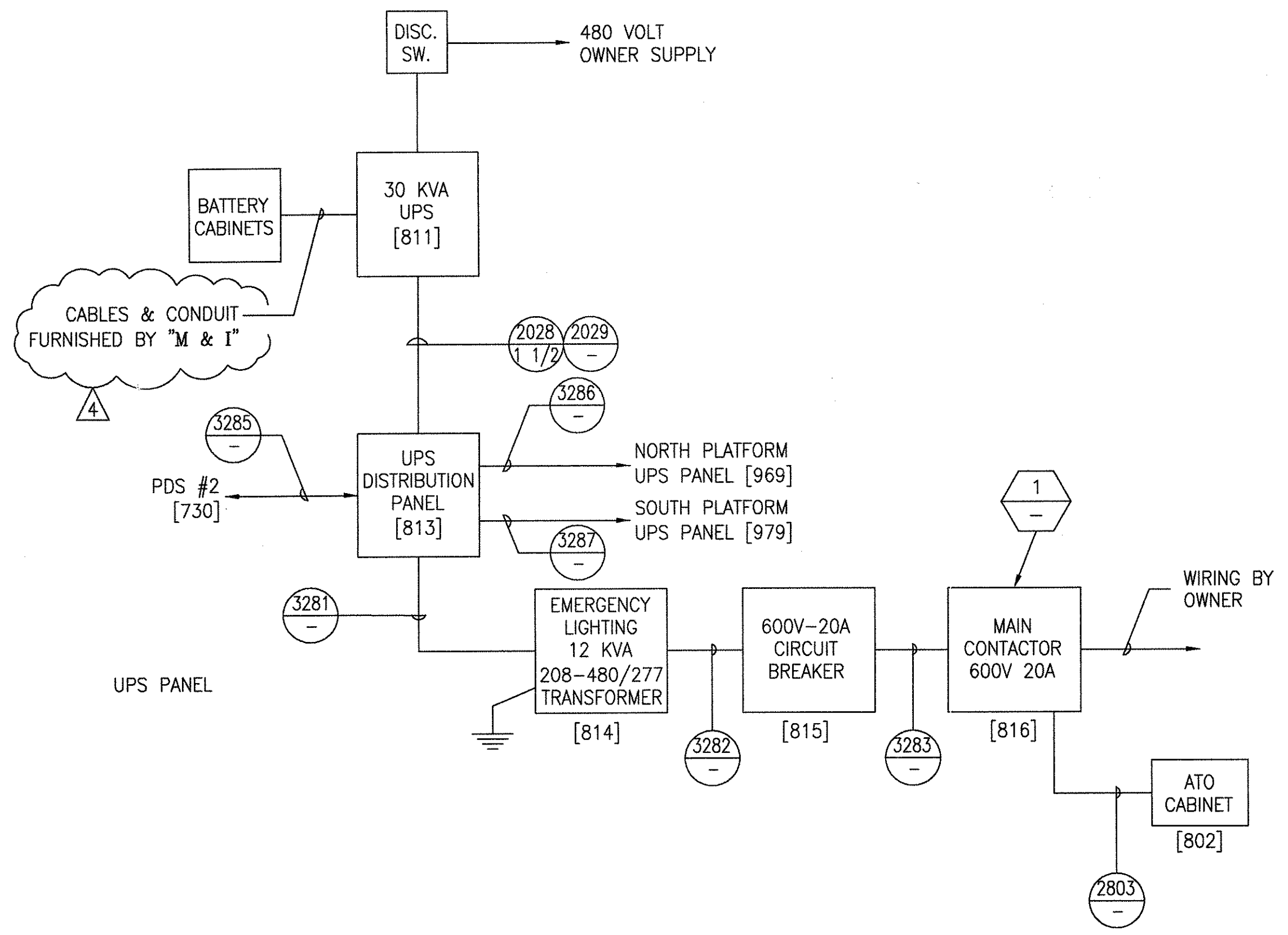
AutoCAD

1	TCN HOAB-B2065 D. 7DSB73-A CHANGE	2	TCN HOAB-B2065 ECN42824	3	TCN HOAB-A3013 ECN42923	4	TCN HOAB-B2065 WR 2001346
	SIGNATURES ON FILE		SIGNATURES ON FILE		SIGNATURES ON FILE		SIGNATURES ON FILE
	NO CHANGE THIS SHEET ISSUE FOR CONSTRUCTION		REMOVED CAMERA POWER CIRCUITS		REMOVED CAMERA POWER CIRCUITS		SHEETS 2 & 3 REVISED PER AS BUILT CONDITIONS
	R.D. PELKEY 4/8/03 T. NEVILLE 5/4/03 J. CARNEVALE 5/5/03		F. BELMARES 7/3/03 T. NEVILLE J. CARNEVALE		F. BELMARES 7/3/03 T. NEVILLE J. CARNEVALE		P. CARSON 7/31/05 A. ROMEO J. CARNEVALE

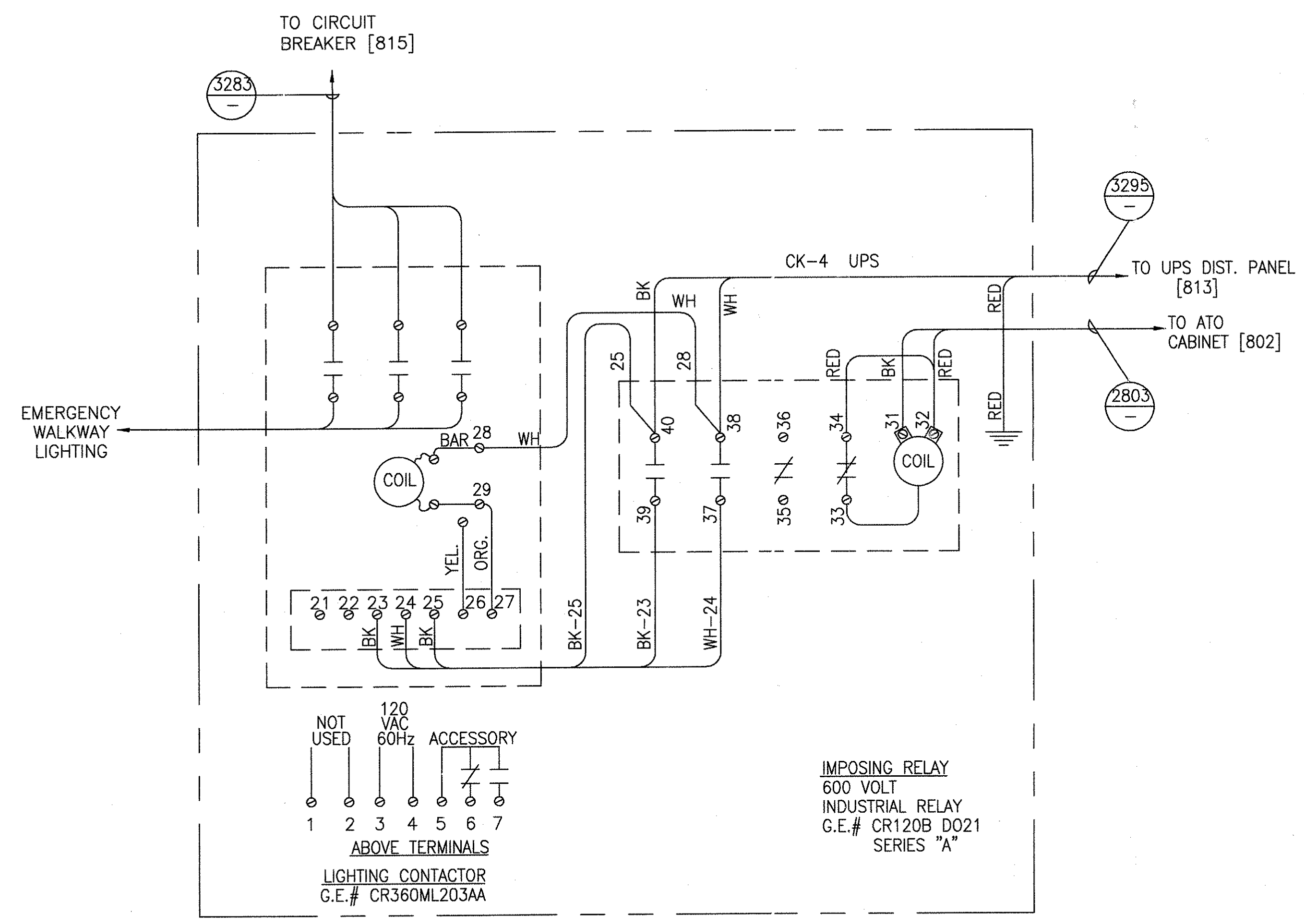
GEOMETRIC CHARACTERISTIC SYMBOLS	
FLATNESS	⊥
STRAIGHTNESS	—
ROUNDNESS (CIRCULARITY)	⊙
CYLINDRICITY	⊘
PROFILE OF ANY LINE	—
PROFILE OF ANY SURFACE	—
PARALLELISM	∥
PERPENDICULARITY (SQUARENESS)	⊥
ANGULARITY	∠
RUNOUT	⊖
TRUE POSITION	⊕
CONCENTRICITY	⊙
SYMMETRY	⊖
MAXIMUM MATERIAL CONDITION (MMC)	Ⓜ
REGARDLESS OF FEATURE SIZE	Ⓜ

DFTM. DATE	3-22-02
WDO/PWI	
CHKR.	
ENGRG.	T. NEVILLE 11-30-01
MFG.	
APPD.	
DFTG. S/JPV.	J. CARNEVALE

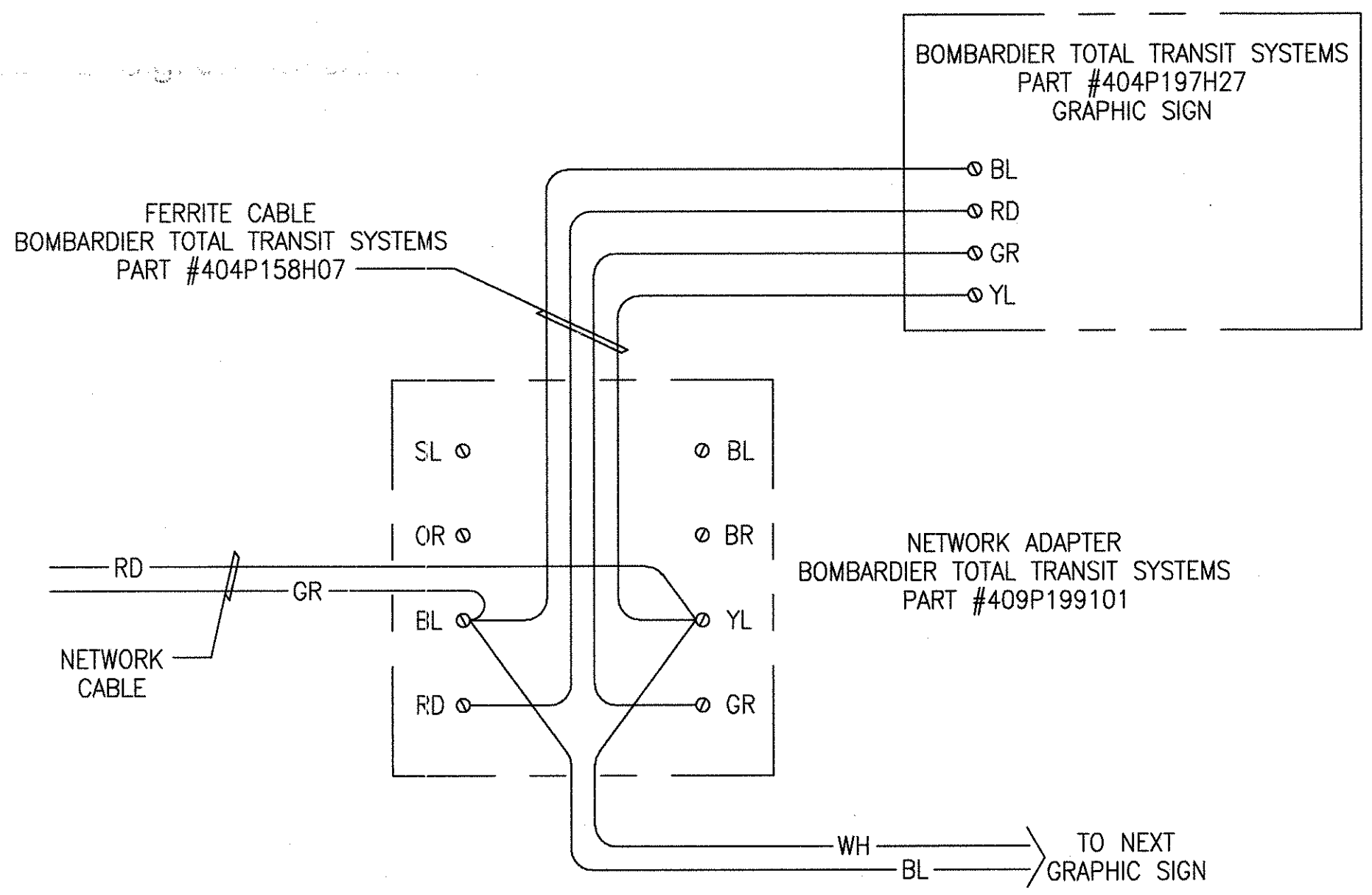
BOMBARDIER	
GEORGE BUSH INTERCONTINENTAL AIRPORT	
HOUSTON PHASE 2 EXTENSION	
UPS WIRING DIAGRAM & PANEL SCHEDULE	
SCALE	NONE
DWG. NO.	6D60564
REV.	4
SHEET	3



TERMINAL - D ATC ROOM



DETAIL 1
(EMERGENCY LIGHTING CONTACTOR CONTROL BOX)



STATION DOOR GRAPHICS

THIS DOCUMENT AND ITS CONTENTS ARE THE PROPERTY OF BOMBARDIER INC. OR ITS SUBSIDIARIES. THIS DOCUMENT CONTAINS CONFIDENTIAL PROPRIETARY INFORMATION. THE REPRODUCTION, DISTRIBUTION, UTILIZATION OR THE COMMUNICATION OF THIS DOCUMENT OR ANY PART THEREOF, WITHOUT EXPRESS AUTHORIZATION IS STRICTLY PROHIBITED. OFFENDERS WILL BE HELD LIABLE FOR THE PAYMENT OF DAMAGES.

AutoCAD

1	TCN HOAB-B2065 D. 7DS873-A CHANGE	(R)	SIGNATURES ON FILE
2	TCN HOAB-B2065 EON42824	(R)	SIGNATURES ON FILE
3	TCN HOAB-B2065 EON42923	(R)	SIGNATURES ON FILE
4	TCN HOAB-B2065 WR 2001346	(R)	SIGNATURES ON FILE

ADDED WIRE NUMBERS TO DETAIL 1.
ISSUE FOR CONSTRUCTION
R.D. PELKEY 4/8/03
T. NEVILLE 5/4/03
J. CARNEVALE 5/5/03

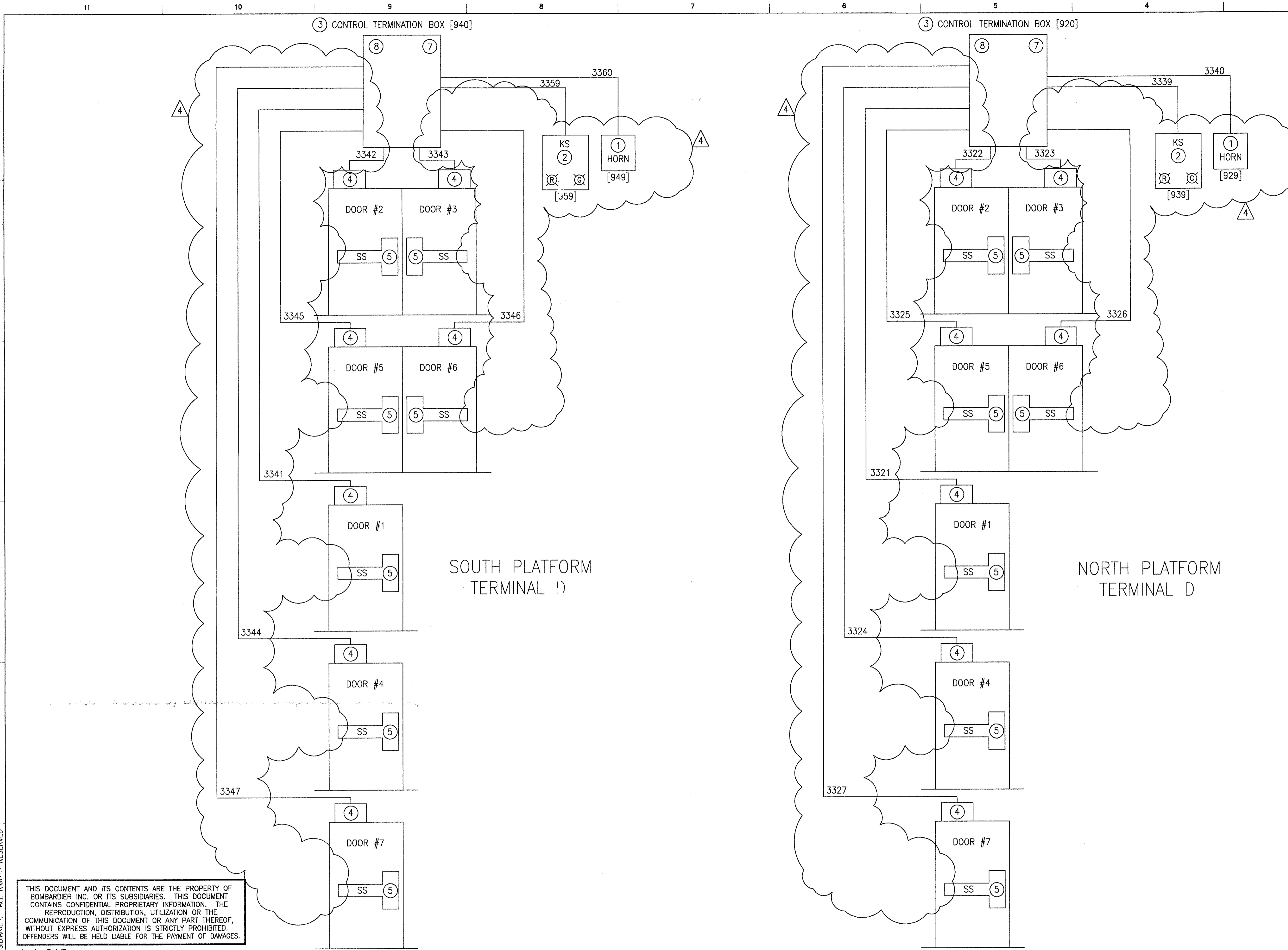
ADDED STATION DOOR GRAPHICS
F. BELMARES 7/8/03
T. NEVILLE
J. CARNEVALE

SHEETS 1 & 2 REVISED PER AS BUILT CONDITIONS
P. CARSON 7/31/05
A. ROMEO
J. CARNEVALE

GEOMETRIC CHARACTERISTIC SYMBOLS	
FLATNESS	—
STRAIGHTNESS	—
ROUNDNESS (CIRCULARITY)	—
CYLINDRICITY	—
PROFILE OF ANY LINE	—
PROFILE OF ANY SURFACE	—
PARALLELISM	—
PERPENDICULARITY (SQUARENESS)	—
ANGULARITY	—
RUNOUT	—
TRUE POSITION	—
CONCENTRICITY	—
SYMMETRY	—
MAXIMUM MATERIAL CONDITION (MMC)	—
REGARDLESS OF FEATURE SIZE	—

DFTM. ECE/P'VI	DATE 04/18/02
ENGRG. T. NEVILLE	DATE 11/30/01
APPD. J. CARNEVALE	
DFTG. SU.PV. J. CARNEVALE	

BOMBARDIER	
TITLE GEORGE BUSH INTERCONTINENTAL AIRPORT HOUSTON PHASE 2 EXTENSION	
DIMENSIONS IN INCHES WIRING DIAGRAMS	
SIZE D	DWG. NO. 6D60565
SCALE NONE	REV. 4
SHEET 1 OF 6	



BILL OF MATERIAL	
ITEM	DESCRIPTION
①	△ 4 HORN - 120 VOLT AC EDWARDS CAT #L1910
②	KEY SWITCH - VON DUPRIN CAT #SS-903XISL W/KS920L
③	CONTROL TERMINATION BOX - NEMA 12, SURFACE MOUNTED 12" X 10" W X 6" D HOLJPHANE CAT #A-1210CHF7C
④	△ 4 MAGNETIC SWITCH - CONCEALED (FURNISHED BY CLARK CONTRACTORS)
⑤	SIGNAL SWITCH PANIC BAR - (BY OTHERS)
⑦	POWER SUPPLY - 30 WATT, 12VDC COSEL U.S.A. INC., CAT #800-9766
⑧	RELAY

- NOTES:
- FOR WIRING SCHEMATIC SEE 6D61054.
 - HORN (L1910) WILL SOUND WHEN UNAUTHORIZED EXIT OCCURS.
 - KEYSWITCH (KS920L) TURNS OFF SYSTEM.
 - RED LIGHT (SS903XISL) SHOWS SYSTEM IS ARMED.
 - GREEN LIGHT (SS903XISL) SHOWS SYSTEM IS DISARMED.
 - SWITCH (SS903XISL) CLOCKWISE SIDE USED TO RESET HORN.
 - SWITCH (SS903XISL) COUNTER CLOCKWISE OR ANY OF THE KEY CYLINDERS IN ANY DEVICE WILL START TIME DELAY (FOR UNARMED AUTHORIZED EXIT) IF ANY DOORS ARE HELD OPEN LONGER THAN TIME DELAY-HORN WILL SOUND.
 - JUNCTION BOX SHALL BE FURNISHED WITH 600 VOLT TERMINAL STRIP SQUARE D TYPE GA6. ALL INTERNAL WIRING SHALL BE #14 AWG, THIN COLOR CODE RED. LABEL ALL CONNECTORS WITH CABLE AND TERMINAL NUMBER.

THIS DOCUMENT AND ITS CONTENTS ARE THE PROPERTY OF BOMBARDIER INC. OR ITS SUBSIDIARIES. THIS DOCUMENT CONTAINS CONFIDENTIAL PROPRIETARY INFORMATION. THE REPRODUCTION, DISTRIBUTION, UTILIZATION OR THE COMMUNICATION OF THIS DOCUMENT OR ANY PART THEREOF, WITHOUT EXPRESS AUTHORIZATION IS STRICTLY PROHIBITED. OFFENDERS WILL BE HELD LIABLE FOR THE PAYMENT OF DAMAGES.

AutoCAD

1	TGN HOAB-B2065 D. 7DS873-A CHANGE
2	SIGNATURES ON FILE TGN HOAB-B2065 EON42824
3	SIGNATURES ON FILE TGN HOAB-B2065 EON42923
4	SIGNATURES ON FILE TGN HOAB-B2065 WR 2007346

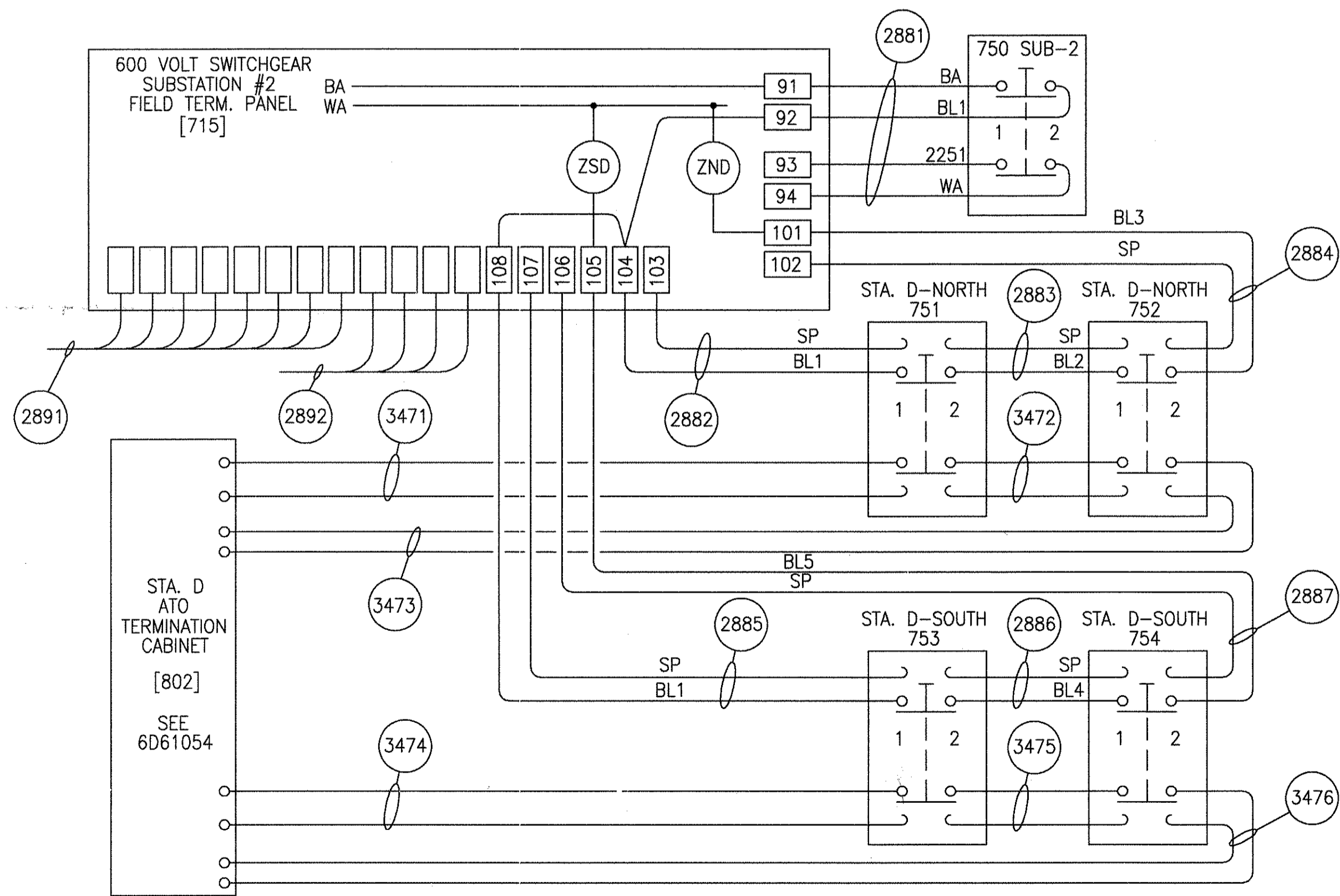
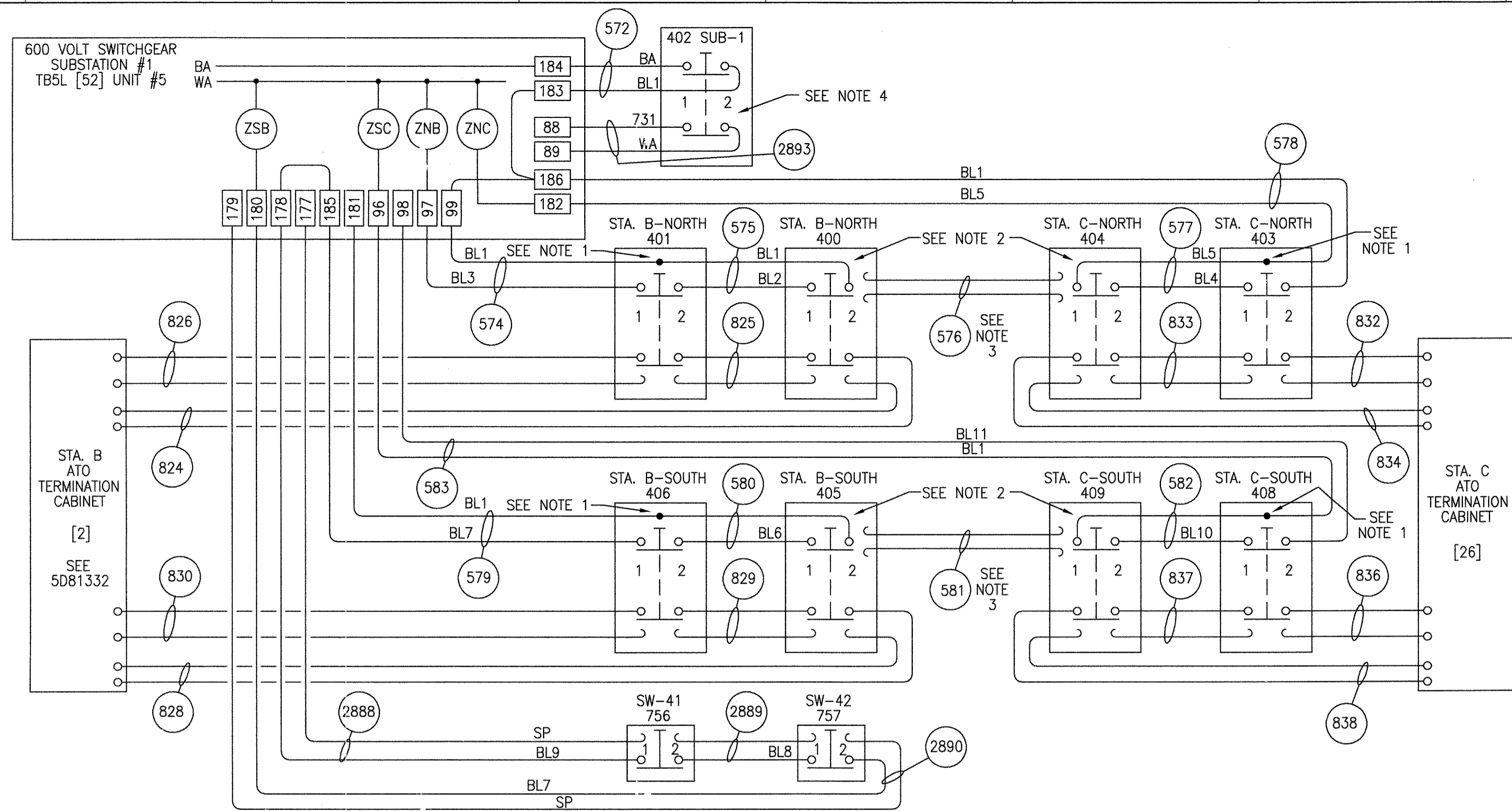
NO CHANGE THIS SHEET
SEE SHEET 1
F. BELMARES 7/8/03
T. NEVILLE
J. CARNEVALE

SHEET 2
REVISED PER AS BUILT
CONDITIONS
P. CARSON 7/31/05
A. ROMEO
J. CARNEVALE

GEOMETRIC CHARACTERISTIC SYMBOLS	
FLATNESS	▭
STRAIGHTNESS	▬
ROUNDNESS (CIRCULARITY)	○
CYLINDRICITY	⊘
PROFILE OF ANY LINE	—
PROFILE OF ANY SURFACE	⌒
PARALLELISM	∥
PERPENDICULARITY (SQUARENESS)	⊥
ANGULARITY	∠
RUNOUT	⊖
TRUE POSITION	⊕
CONCENTRICITY	⊙
SYMMETRY	⊞
MAXIMUM MATERIAL CONDITION (MMC)	Ⓜ
REGARDLESS OF FEATURE SIZE	Ⓛ

DFTM.	WDO/FWI	DATE
		5/8/02
ENGRG.	T. NEVILLE	5/8/02
MFG.		
APPD.		
DFTG. SU-IV.	J. CARNEVALE	

BOMBARDIER	
TITLE GEORGE BUSH INTERCONTINENTAL AIRPORT HOUSTON PHASE 2 EXTENSION	
DIMENSIONS IN INCHES WIRING DIAGRAMS	
SIZE D	DWG. NO. 6D60565
SCALE NONE WT.	SHEET 2
REV. 4	



- NOTES:
1. CONTRACTOR TO BUTT SPlice SPARE WIRES IN PUSHBUTTON STATION.
 2. CONTRACTOR TO DISCONNECT CABLE 576 & 581 FROM PUSHBUTTON. CONNECT 575, 577, 580, 582 SPARE WIRE TO PUSHBUTTON.
 3. CONTRACTOR TO REMOVE CABLE 576 & 581. CONDUIT TO BE SPARE.
 4. SPARE WIRES SHALL BE COMPLETELY INSULATED (TAPED UP).

THIS DOCUMENT AND ITS CONTENTS ARE THE PROPERTY OF BOMBARDIER INC. OR ITS SUBSIDIARIES. THIS DOCUMENT CONTAINS CONFIDENTIAL PROPRIETARY INFORMATION. THE REPRODUCTION, DISTRIBUTION, UTILIZATION OR THE COMMUNICATION OF THIS DOCUMENT OR ANY PART THEREOF, WITHOUT EXPRESS AUTHORIZATION IS STRICTLY PROHIBITED. OFFENDERS WILL BE HELD LIABLE FOR THE PAYMENT OF DAMAGES.

AutoCAD

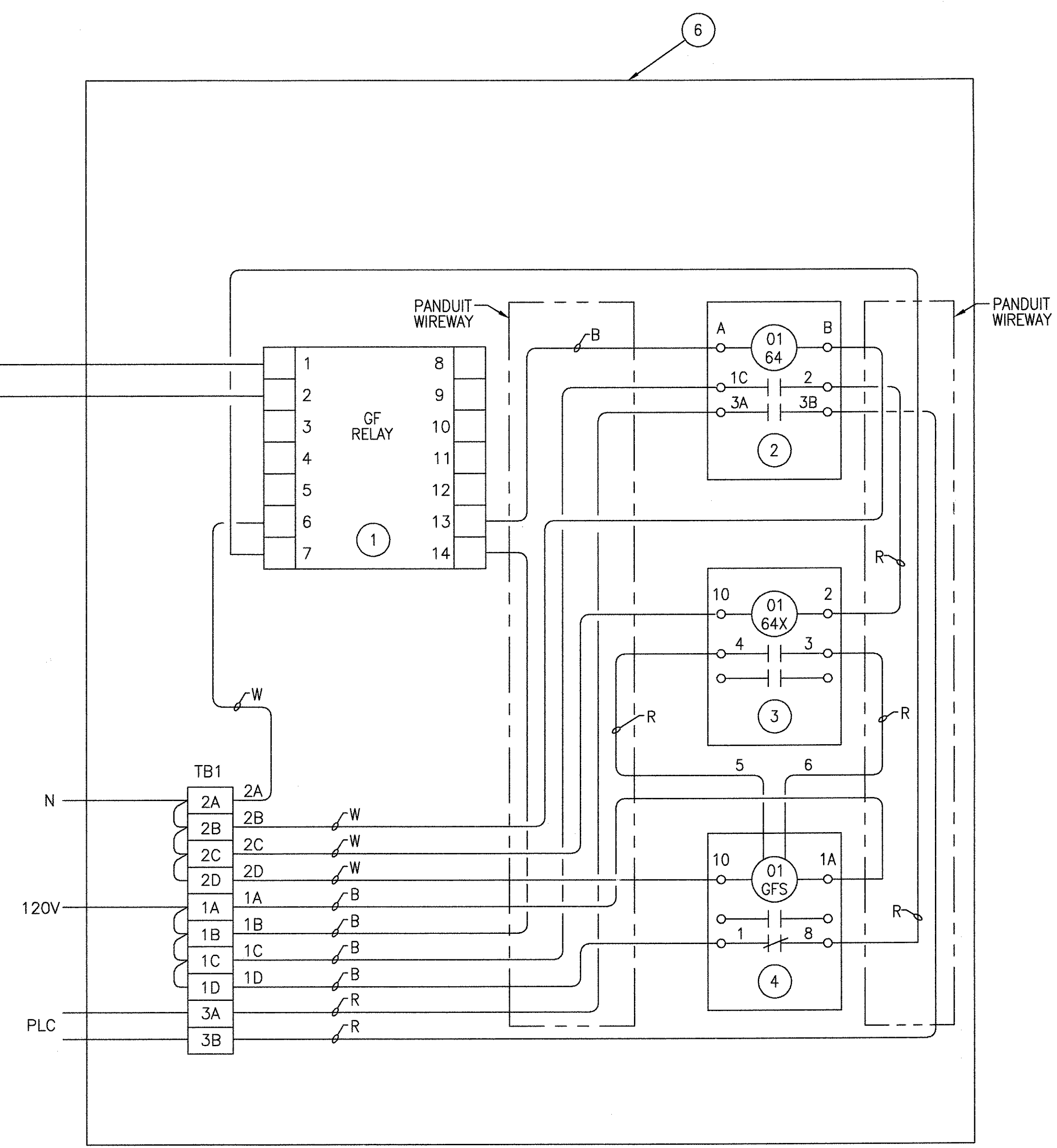
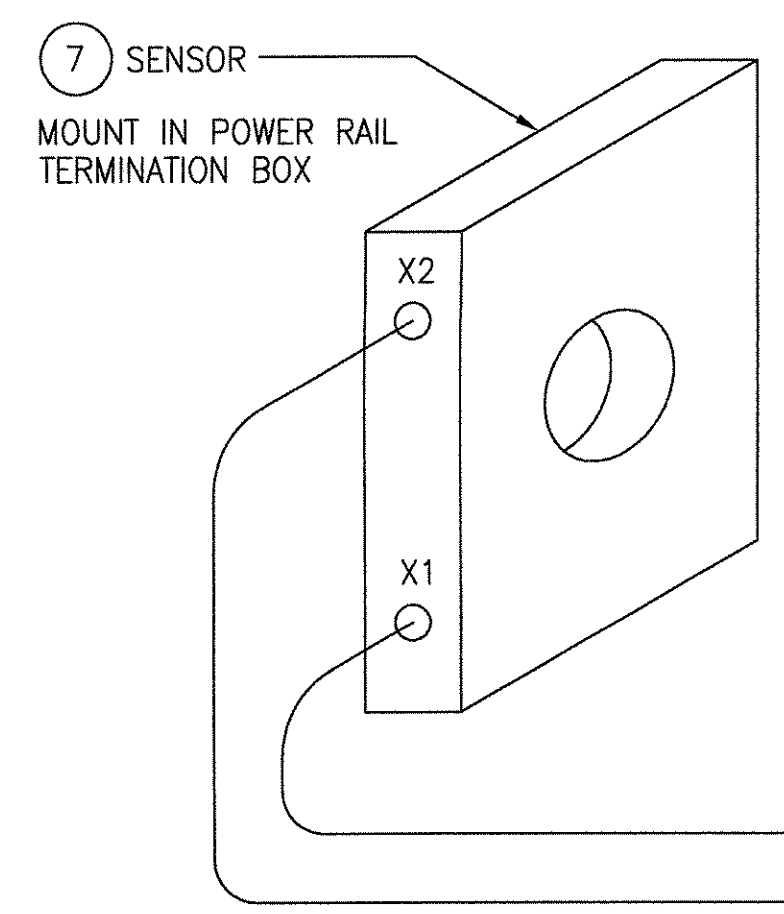
1	TCN HOAB-B2065 D. 7DS873-A CHANGE	(R)	SIGNATURES ON FILE
2	TCN HOAB-B2065 ECN42824	(R)	SIGNATURES ON FILE
3	TCN HOAB-B2065 ECN42923	(R)	SIGNATURES ON FILE
4	TCN HOAB-B2065 WR 2001346	(R)	SIGNATURES ON FILE

NO CHANGE THIS SHEET
SEE SHEET 1
F. BELMARES 7/8/03
T. NEVILLE
J. CARNEVALE
P. CARSON 7/31/05
A. ROMEO
J. CARNEVALE

GEOMETRIC CHARACTERISTIC SYMBOLS	
FLATNESS	—
STRAIGHTNESS	—
ROUNDNESS (CIRCULARITY)	—
CYLINDRICITY	—
PROFILE OF ANY LINE	—
PROFILE OF ANY SURFACE	—
PARALLELISM	—
PERPENDICULARITY (SQUARENESS)	—
ANGULARITY	—
RUNOUT	—
TRUE POSITION	—
CONCENTRICITY	—
SYMMETRY	—
MAXIMUM MATERIAL CONDITION (MMC)	—
REGARDLESS OF FEATURE SIZE	—

DFTM.	WDO/PWI	DATE	9/9/02
CHKR.			
ENGRG.	T. NEVILLE	DATE	9/9/02
MFG.			
APPD.			
DFTG. SU/IV.	J. CARNEVALE		

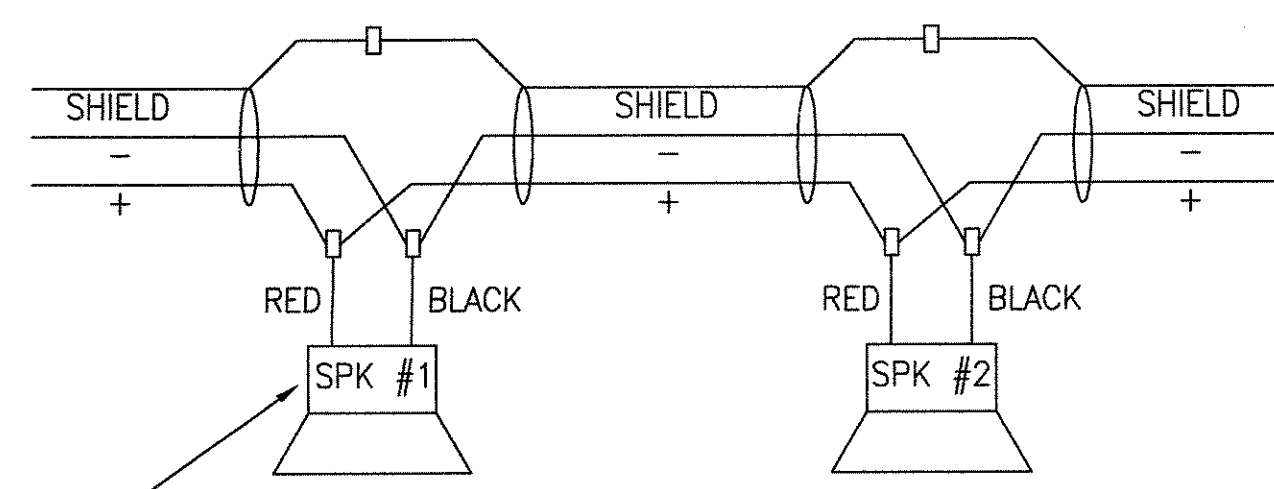
BOMBARDIER	
TITLE GEORGE BUSH INTERCONTINENTAL AIRPORT HOUSTON PHASE 2 EXTENSION	
DIMENSIONS IN INCHES WIRING DIAGRAMS	
SIZE D	DWG. NO. 6D60565
SCALE NONE	WT.
SHEET	3
REV.	4



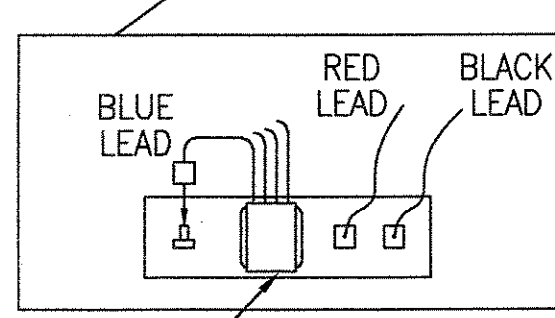
BILL OF MATERIAL	
ITEM	DESCRIPTION
①	GROUND FAULT RELAY CUTLER-HAMMER P/N 1293C47G12
②	TIMING RELAY SQUARE D #8501X040XE1V02
③	ON DELAY TIMER SQUARE D #9050JCK70V20
④	ONE SHOT TIMER SQUARE D #905JCK70V20
⑤	TERMINAL STRIP SQUARE D CLASS 9080 TYPE GA6
⑥	ENCLOSURE - NEMA 4X - 24" X 20" X 8" HOFFMAN CAT #A-24H2008SS6LP
⑦	CURRENT TRANSFORMER CUTLER-HAMMER P/N 1283C45G01
⑧	#14 AWG COPPER WIRING CLASS B STRANDED THHN INSULATION COLOR CODE B-BLACK, W-WHITE, R-RED

SEE 6D60560 SHEET 5 FOR LOCATION

ALL SHIELD WIRES MUST BE CONNECTED TO THE SHIELD ON THE NEXT DAISY CHAINED CABLE. IT MUST HAVE TAPE OR SOME OTHER FORM OF INSULATION TO PREVENT CONTACT WITH ANY OTHER METALS. THE SHIELDS AND OTHER WIRE CONNECTIONS SHOULD BE CONNECTED WITH CRIMP CONNECTORS.



EACH SPEAKER HAS A BLUE WIRE WHICH IS DESIGNATED AS THE 2 WATT POWER LEAD. THIS IS TO BE CONNECTED TO THE SPEAKER AS SHOWN IN THE SPEAKER INSTALLATION CUT SHEETS PROVIDED WITH THE SPEAKER.



DETAIL 3
SPEAKER INSTALLATION

DETAIL 2

THIS DOCUMENT AND ITS CONTENTS ARE THE PROPERTY OF BOMBARDIER INC. OR ITS SUBSIDIARIES. THIS DOCUMENT CONTAINS CONFIDENTIAL PROPRIETARY INFORMATION. THE REPRODUCTION, DISTRIBUTION, UTILIZATION OR THE COMMUNICATION OF THIS DOCUMENT OR ANY PART THEREOF, WITHOUT EXPRESS AUTHORIZATION IS STRICTLY PROHIBITED. OFFENDERS WILL BE HELD LIABLE FOR THE PAYMENT OF DAMAGES.

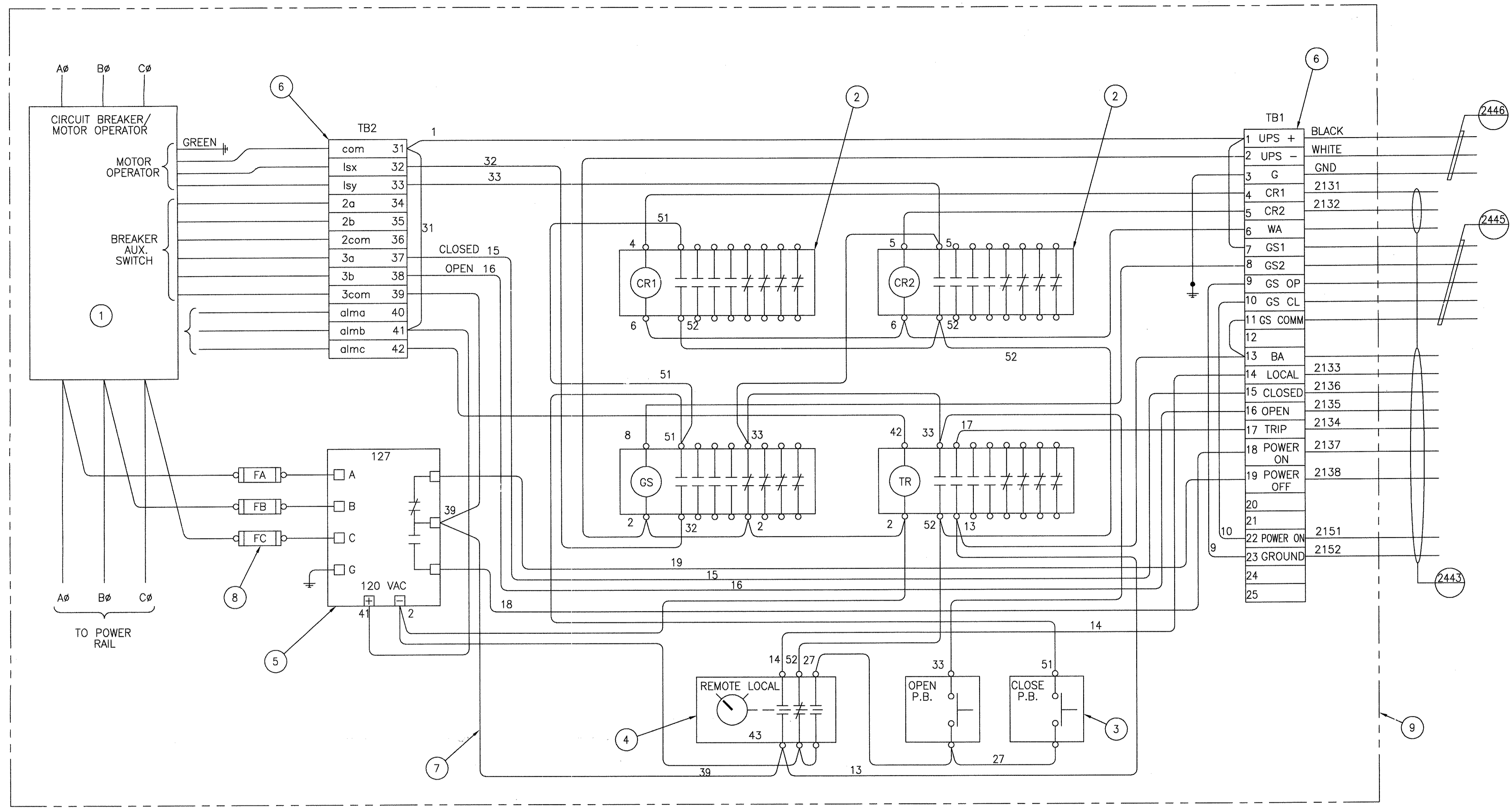
AutoCAD

1	TCN HOAB-B2065 D. 7DS873-A CHANGE	(R)	SIGNATURES ON FILE
2	TCN HOAB-B2065 ECM42824	(R)	SIGNATURES ON FILE
3	NO CHANGE THIS SHEET ISSUE FOR CONSTRUCTION R.D. PELKEY 4/8/03 T. NEVILLE 5/4/03 J. CARNEVALE 5/5/03	(R)	SIGNATURES ON FILE
4	TCN HOAB-B2065 ECM42923	(R)	SIGNATURES ON FILE
	NO CHANGE THIS SHEET SEE SHEET 1 F. BELMARES 7/8/03 T. NEVILLE J. CARNEVALE	(R)	SIGNATURES ON FILE
	TCN HOAB-B2065 WR 2001346	(R)	SIGNATURES ON FILE
	SHEETS 1 & 2 REVISED PER AS BUILT CONDITIONS P. CARSON 7/31/05 A. ROMEO J. CARNEVALE	(R)	SIGNATURES ON FILE

GEOMETRIC CHARACTERISTIC SYMBOLS	
FLATNESS	▭
STRAIGHTNESS	—
ROUNDNESS (CIRCULARITY)	○
CYLINDRICITY	⊘
PROFILE OF ANY LINE	—
PROFILE OF ANY SURFACE	⌒
PARALLELISM	∥
PERPENDICULARITY (SQUARENESS)	⊥
ANGULARITY	∠
RUNOUT	⌒
TRUE POSITION	⊕
CONCENTRICITY	⊙
SYMMETRY	⊞
MAXIMUM MATERIAL CONDITION (MMC)	Ⓜ
REGARDLESS OF FEATURE SIZE	Ⓜ

DFTM. WDO/PWI	DATE 9/9/02
ENGRG. T. NEVILLE	DATE 9/9/02
APPD. J. CAFNEVALE	

BOMBARDIER	
TITLE GEORGE BUSH INTERCONTINENTAL AIRPORT HOUSTON PHASE 2 EXTENSION	
DIMENSIONS IN INCHES WIRING DIAGRAMS	
SIZE D	DWG. NO. 6D60565
SCALE NONE	WT. SHEET 4
REV. 4	



BILL OF MATERIAL	
ITEM	DESCRIPTION
①	MOLDED CASE CIRCUIT BREAKER CUTLER-HAMMER CAT #MDL 3800F WITH ADJUSTABLE RATING FLUG #MES3800LSI AND RATING PLUG #8MES400T
②	GENERAL CONTROL RELAY CUTLER-HAMMER TYPE BF48F 120 VAC WITH 4NO/8NC CONTACTS (CR1, CR2, TR, GS)
③	PUSHBUTTON CUTLER-HAMMER
④	LOCAL/REMOTE SELECTOR SWITCH W/NAMEPLATE CUTLER-HAMMER
⑤	VOLTAGE SENSING RELAY 127 MARK TIME 600 VAC, 60 HZ 120 VAC COIL, 50 VOLT AC PICKUP
⑥	TERMINAL STRIPS 600 VOLT, PHENOLIC WITH MOUNTING CHANNEL BUCHANAN TYPE "HEAVY DUTY"
⑦	CONTROL WIRE 1/C #14 AWG THHN, COLOR CODE RED. LABEL ALL CONNECTORS WITH CABLE AND TERMINAL NUMBER
⑧	STAINLESS STEEL NEMA 4X ENCLOSURE
⑨	FUSES 5 AMP

NOTES:
 1. FOR WIRING DIAGRAM SEE 6D61390.
 2. FOR MATERIAL SPECIFICATION SEE TESE782.

SB-7
 TYPICAL WAYSIDE BREAKER AT SWITCHES

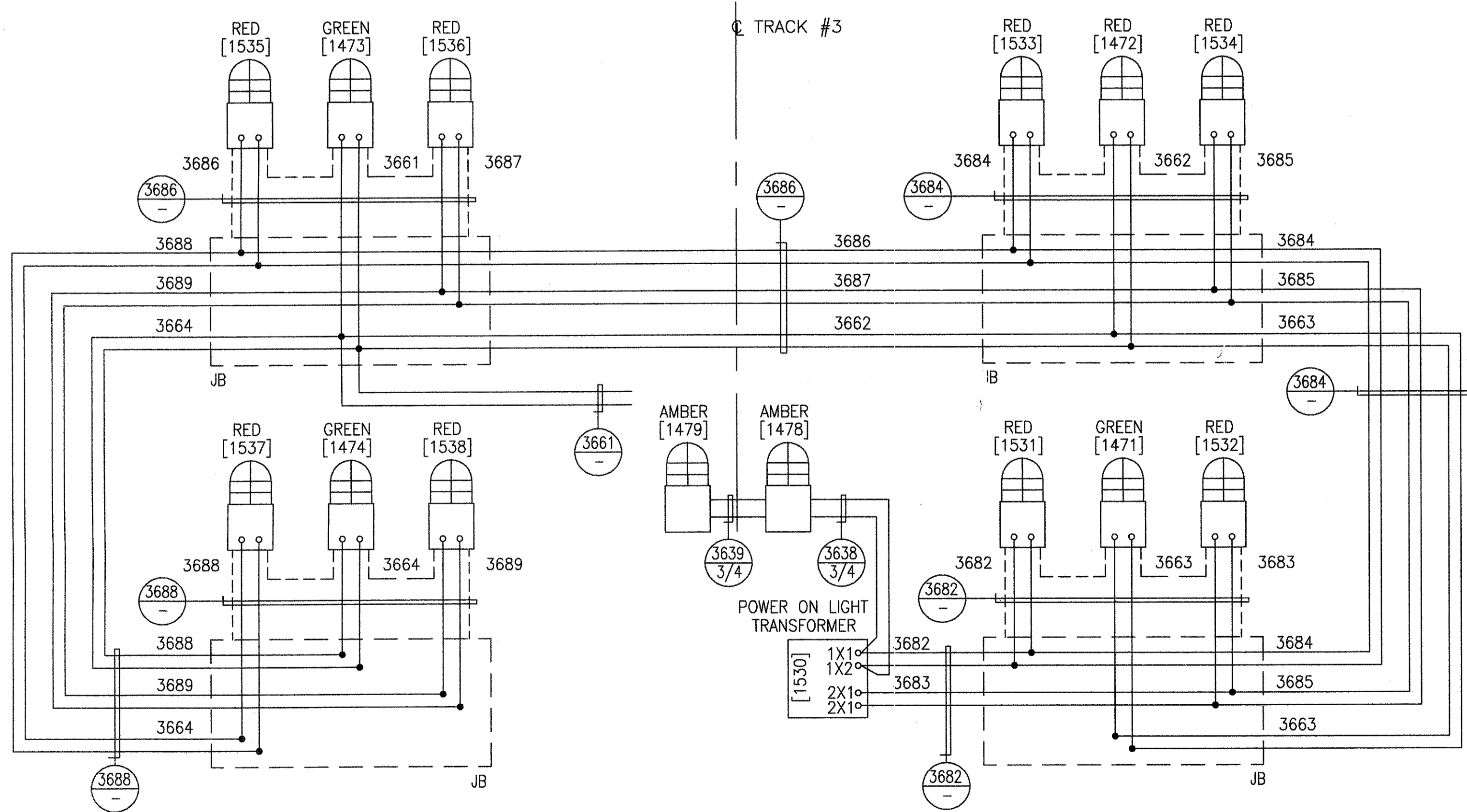
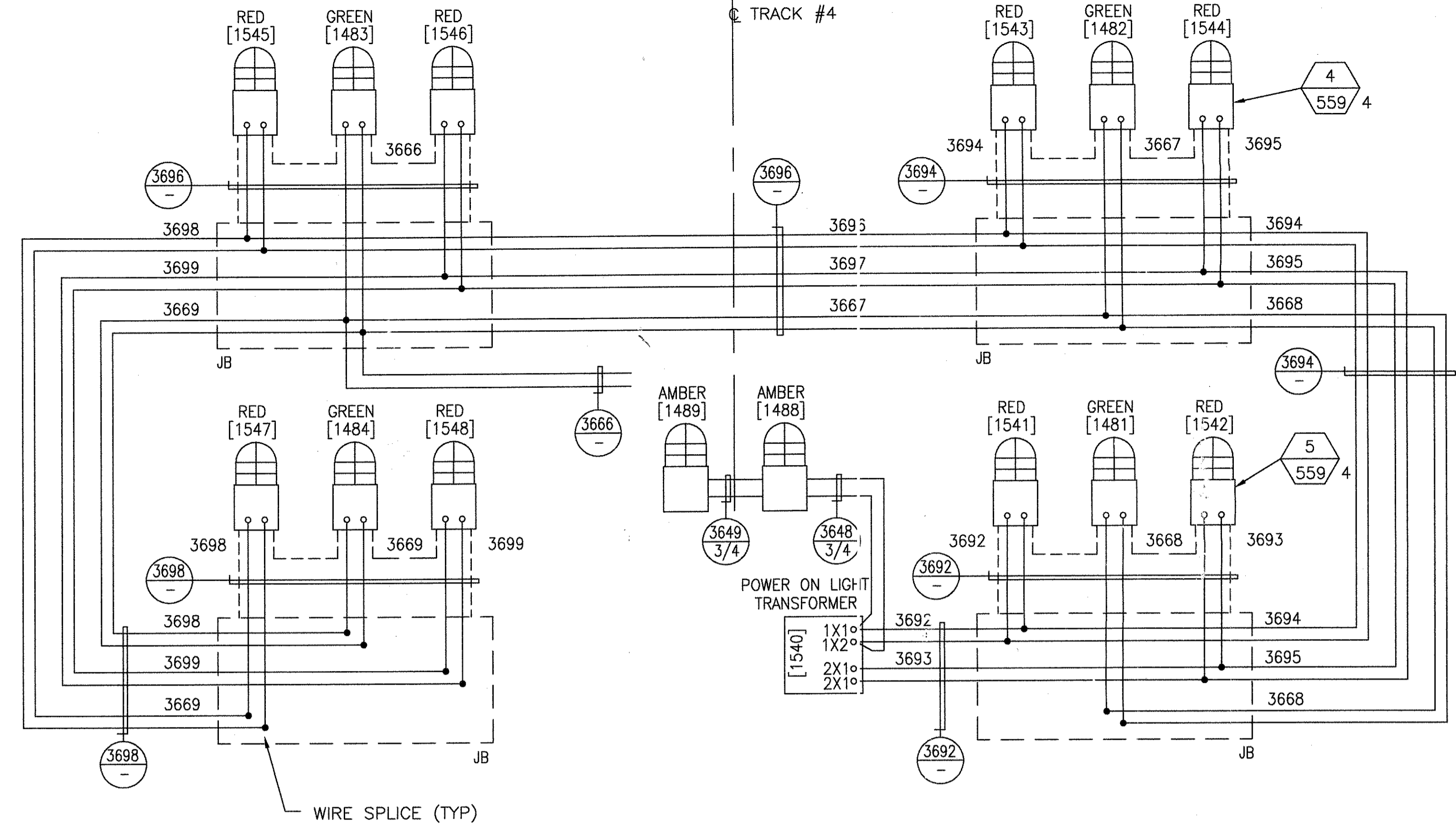
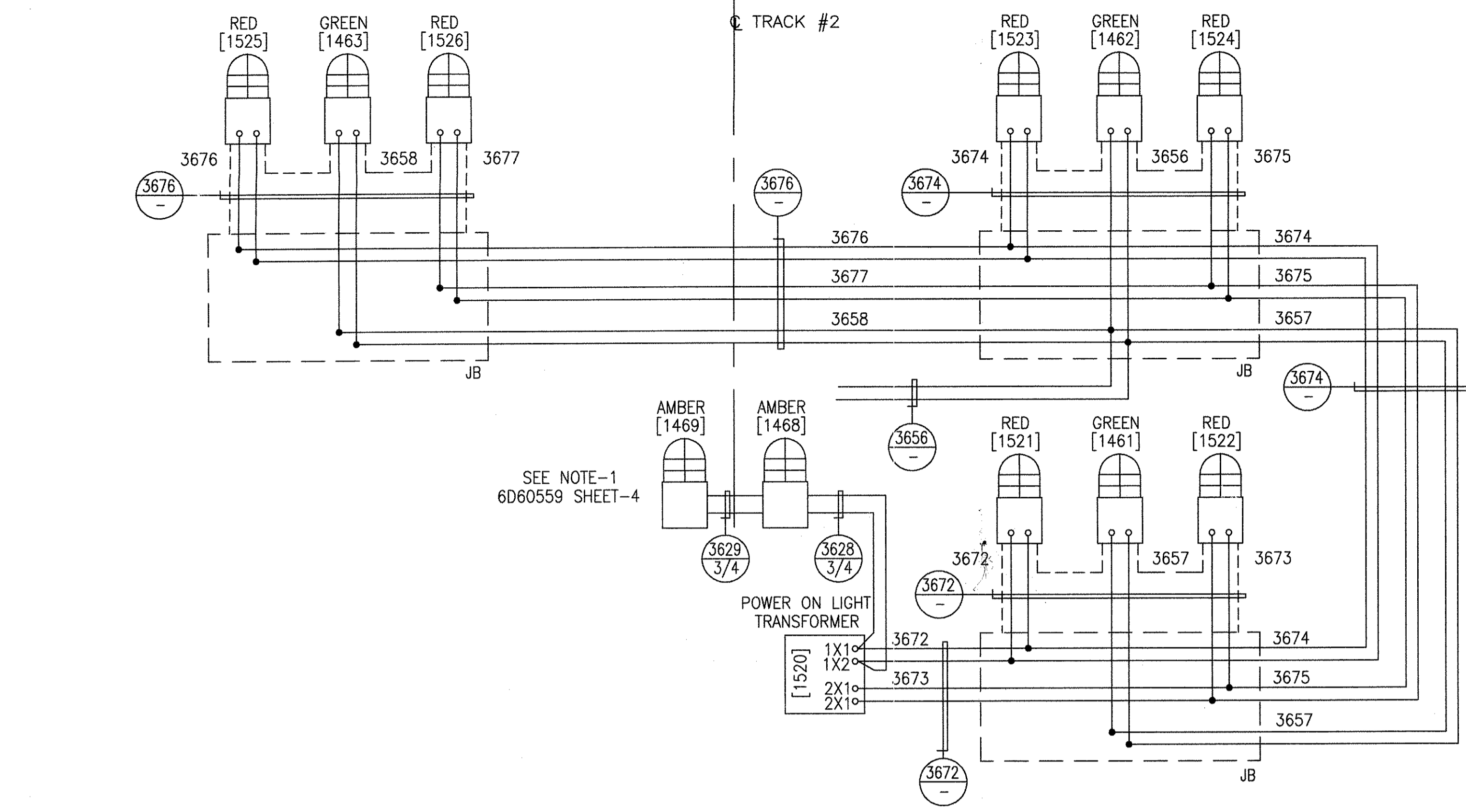
THIS DOCUMENT AND ITS CONTENTS ARE THE PROPERTY OF BOMBARDIER INC. OR ITS SUBSIDIARIES. THIS DOCUMENT CONTAINS CONFIDENTIAL PROPRIETARY INFORMATION. THE REPRODUCTION, DISTRIBUTION, UTILIZATION OR THE COMMUNICATION OF THIS DOCUMENT OR ANY PART THEREOF, WITHOUT EXPRESS AUTHORIZATION IS STRICTLY PROHIBITED. OFFENDERS WILL BE HELD LIABLE FOR THE PAYMENT OF DAMAGES.

TCN HOAB-B2065 D. 7DS873-A	CHANGE
(R)	SIGNATURES ON FILE
TCN HOAB-B2065 ECN42824	2
ADDED WIRE NO'S TO TERMINAL BLOCKS	
ISSUE FOR CONSTRUCTION	
R.D. PELKEY 4/8/03	
T. NEVILLE	
J. CARNEVALE	
(R)	SIGNATURES ON FILE
TCN HOAB-B2065 ECN42923	3
NO CHANGE THIS SHEET	
SEE SHEET 1	
F. BELMARES 7/8/03	
T. NEVILLE	
J. CARNEVALE	
(R)	SIGNATURES ON FILE
TCN HOAB-B2065 WR 2001346	4
SHEETS 1 & 2	
REVISED PER AS BUILT CONDITIONS	
P. CARSON 7/31/05	
A. ROMEO	
J. CARNEVALE	

GEOMETRIC CHARACTERISTIC SYMBOLS	
FLATNESS	▭
STRAIGHTNESS	▬
ROUNDNESS (CIRCULARITY)	○
CYLINDRICITY	⊘
PROFILE OF ANY LINE	—
PROFILE OF ANY SURFACE	⌒
PARALLELISM	∥
PERPENDICULARITY (SQUARENESS)	⊥
ANGULARITY	∠
RUNOUT	⊖
TRUE POSITION	⊕
CONCENTRICITY	⊙
SYMMETRY	⊞
MAXIMUM MATERIAL CONDITION (MMC)	Ⓜ
REGARDLESS OF FEATURE SIZE	Ⓛ

DFTM. WDO/FWI	DATE 9/9/02
CHKR.	
ENGRG. T. NEVILLE	DATE 9/9/02
MFG.	
APPD.	
DFTG. SU JV.	
J. CARNEVALE	

BOMBARDIER	
TITLE GEORGE BUSH INTERCONTINENTAL AIRPORT HOUSTON PHASE 2 EXTENSION	
DIMENSIONS IN INCHES WIRING DIAGRAMS	
SIZE D	DWG. NO. 6D60565
SCALE NONE	WT. SHEET 5
REV. 4	



THIS DOCUMENT AND ITS CONTENTS ARE THE PROPERTY OF BOMBARDIER INC. OR ITS SUBSIDIARIES. THIS DOCUMENT CONTAINS CONFIDENTIAL PROPRIETARY INFORMATION. THE REPRODUCTION, DISTRIBUTION, UTILIZATION OR THE COMMUNICATION OF THIS DOCUMENT OR ANY PART THEREOF, WITHOUT EXPRESS AUTHORIZATION IS STRICTLY PROHIBITED. OFFENDERS WILL BE HELD LIABLE FOR THE PAYMENT OF DAMAGES.

AutoCAD

1
TCN HOAB-B2065
D. 7DS873-A
CHANGE

2
SIGNATURES ON FILE
TCN HOAB-B2065
ECN42824

3
ADDED WARNING LIGHTS TO END OF TRACKS
ISSUE FOR CONSTRUCTION
R.D. PELKEY 4/8/03
T. NEVILLE
J. CARNEVALE

4
SIGNATURES ON FILE
TCN HOAB-B2065
ECN42923
NO CHANGE THIS SHEET
SEE SHEET 1
F. BELMARES 7/8/03
T. NEVILLE
J. CARNEVALE

5
SIGNATURES ON FILE
TCN HOAB-B2065
WR 2001346
SHEETS 1 & 2
REVISED PER AS BUILT
CONDITIONS
P. CARSON 7/31/05
A. ROMEO
J. CARNEVALE

6
SIGNATURES ON FILE
TCN HOAB-B2065
WR 2001346
SHEETS 1 & 2
REVISED PER AS BUILT
CONDITIONS
P. CARSON 7/31/05
A. ROMEO
J. CARNEVALE

7
SIGNATURES ON FILE
TCN HOAB-B2065
WR 2001346
SHEETS 1 & 2
REVISED PER AS BUILT
CONDITIONS
P. CARSON 7/31/05
A. ROMEO
J. CARNEVALE

8
SIGNATURES ON FILE
TCN HOAB-B2065
WR 2001346
SHEETS 1 & 2
REVISED PER AS BUILT
CONDITIONS
P. CARSON 7/31/05
A. ROMEO
J. CARNEVALE

9
SIGNATURES ON FILE
TCN HOAB-B2065
WR 2001346
SHEETS 1 & 2
REVISED PER AS BUILT
CONDITIONS
P. CARSON 7/31/05
A. ROMEO
J. CARNEVALE

10
SIGNATURES ON FILE
TCN HOAB-B2065
WR 2001346
SHEETS 1 & 2
REVISED PER AS BUILT
CONDITIONS
P. CARSON 7/31/05
A. ROMEO
J. CARNEVALE

11
SIGNATURES ON FILE
TCN HOAB-B2065
WR 2001346
SHEETS 1 & 2
REVISED PER AS BUILT
CONDITIONS
P. CARSON 7/31/05
A. ROMEO
J. CARNEVALE

GEOMETRIC CHARACTERISTIC SYMBOLS	
FLATNESS	▭
STRAIGHTNESS	—
ROUNDNESS (CIRCULARITY)	○
CYLINDRICITY	○
PROFILE OF ANY LINE	—
PROFILE OF ANY SURFACE	—
PARALLELISM	∥
PERPENDICULARITY (SQUARENESS)	⊥
ANGULARITY	∠
RUNOUT	⊕
TRUE POSITION	⊕
CONCENTRICITY	⊕
SYMMETRY	⊕
MAXIMUM MATERIAL CONDITION (MMC)	⊕
REGARDLESS OF FEATURE SIZE	⊕

DFTM.	WDO/FWI	DATE	9/9/02
ENGRG.	T. NEVILLE	DATE	9/9/02
MFG.			
APPD.			
DFTG. SUPV.	J. CARNEVALE		

BOMBARDIER	
TITLE	
GEORGE BUSH INTERCONTINENTAL AIRPORT	
HOUSTON PHASE 2 EXTENSION	
DIMENSIONS IN INCHES	
WIRING DIAGRAMS	
SCALE	NONE
WT.	
DWG. NO.	6D60565
REV.	4
SHEET	6