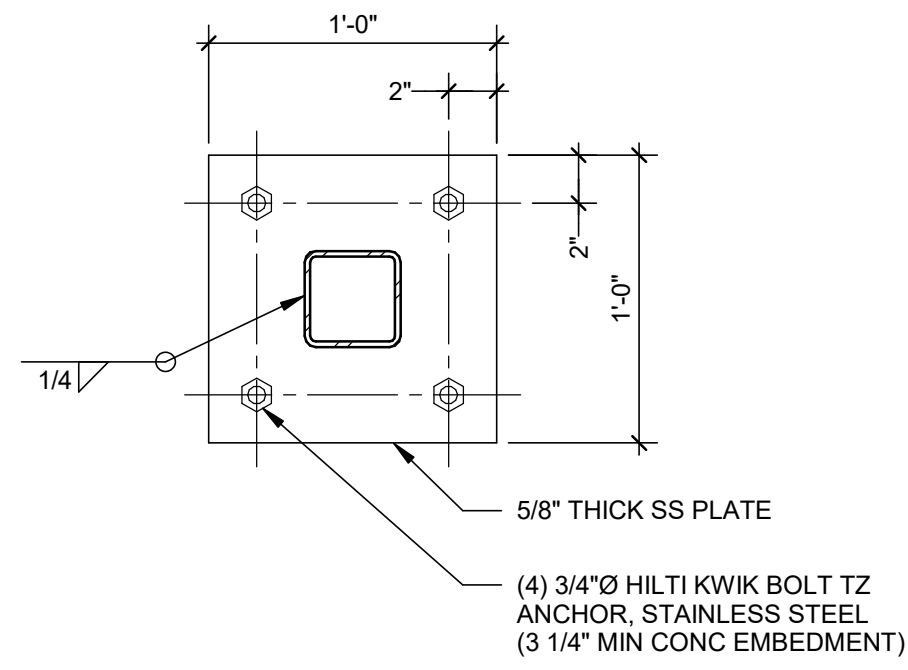
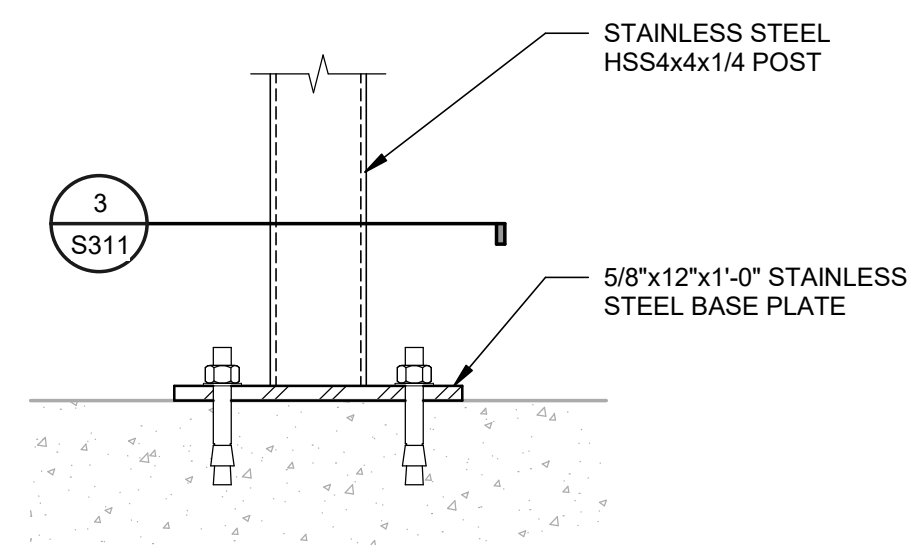


FILENAME: G:\Users\john.moore\Documents\19002_TERMINAL A SIGNAGE_R19_moorekx2yp.rvt
 STAMP: 10/6/2020 2:43:22 PM

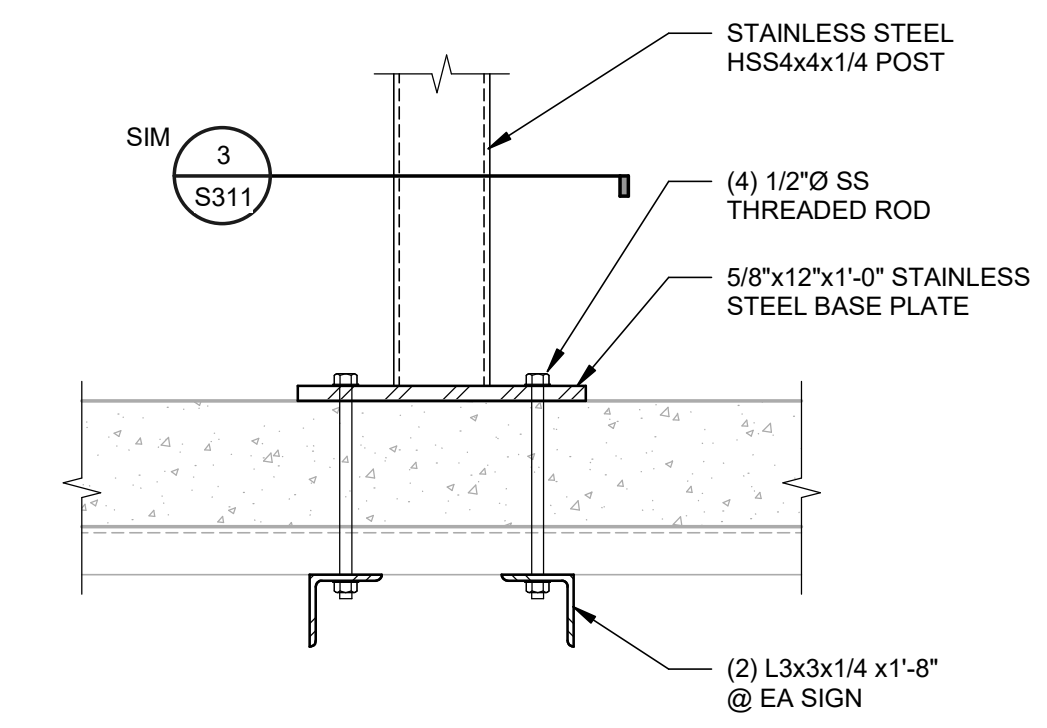


3 SECTION
 1 1/2" = 1'-0"



2 FLOOR MOUNTED FREE-STANDING SIGN
 1 1/2" = 1'-0"

GC TO COORDINATE WATERPROOFING OF SLAB PENETRATION WITH ARCH



1 FLOOR MOUNTED FREE-STANDING SIGN ON COMPOSITE FLOOR DECK
 1 1/2" = 1'-0"



HAS AVIATION DEPT.
 16930 JOHN F. KENNEDY BLVD.
 HOUSTON TX 77032
 [T] 281 233 1757
 [F] 281 233 1800

ARCHITECT

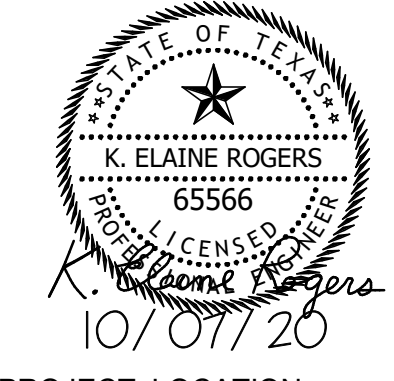


PGAL
 3131 BRIARPARK DR.
 SUITE 200
 HOUSTON, TX 77042
 [T] 713 622 1444
 [F] 713 968 9333
 www.pgal.com

DEPARTMENT OF AVIATION
 RECOMMENDED:
 HOUSTON AIRPORT SYSTEM
 DIRECTOR OR DESIGN REPRESENTATIVE
HAS TIP - 20 - 195 - IAH

PROJECT NAME
IAH TERMINAL A SIGNAGE & WAYFINDING

REGISTRATION
 Copyright © 2020
 Henderson + Rogers, Inc.
 TBPE Firm Registration No. 2194



PROJECT LOCATION
**IAH TERMINAL A
 2800 N. TERMINAL RD.
 HOUSTON, TX 77032**

DRAWING HISTORY

NO.	DESCRIPTION	DATE
1	100% CONSTRUCTION DOCUMENTS	10-07-20

PROJECT NUMBER
1003770

SHEET TITLE
DETAILS

SHEET NUMBER
S311